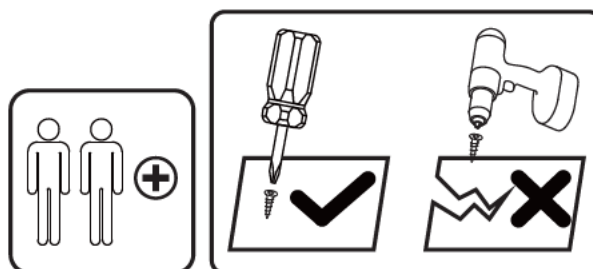


# ASSEMBLY INSTRUCTIONS



## Tools Recommended

THIS INSTRUCTIONS CONTAINS IMPORTANT SAFETY INFORMATION.  
PLEASE READ BEFORE ASSEMBLY AND KEEP FOR FUTURE REFERENCE.

# IMPORTANT NOTICE

-This product contains small components, please ensure that they are kept away from small children.

-THIS INSTRUCTIONS CONTAINS IMPORTANT SAFETY INFORMATION.  
PLEASE READ BEFORE ASSEMBLY AND KEEP FOR FUTURE REFERENCE.

-Read each step carefully. It is very important that each step of instruction is performed in the correct order. If these steps are not followed in sequence, assembly difficulties will occur.



-Make sure all parts are included. Most parts are labelled or stamped on the raw edge.

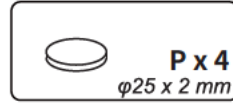
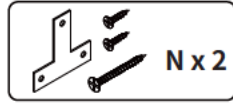
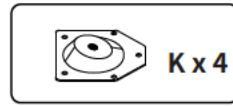
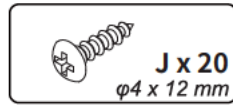
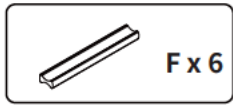
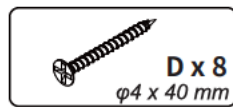
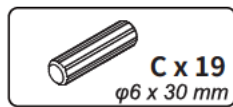
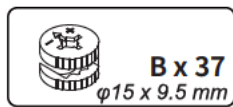
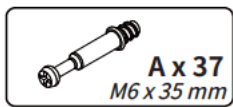
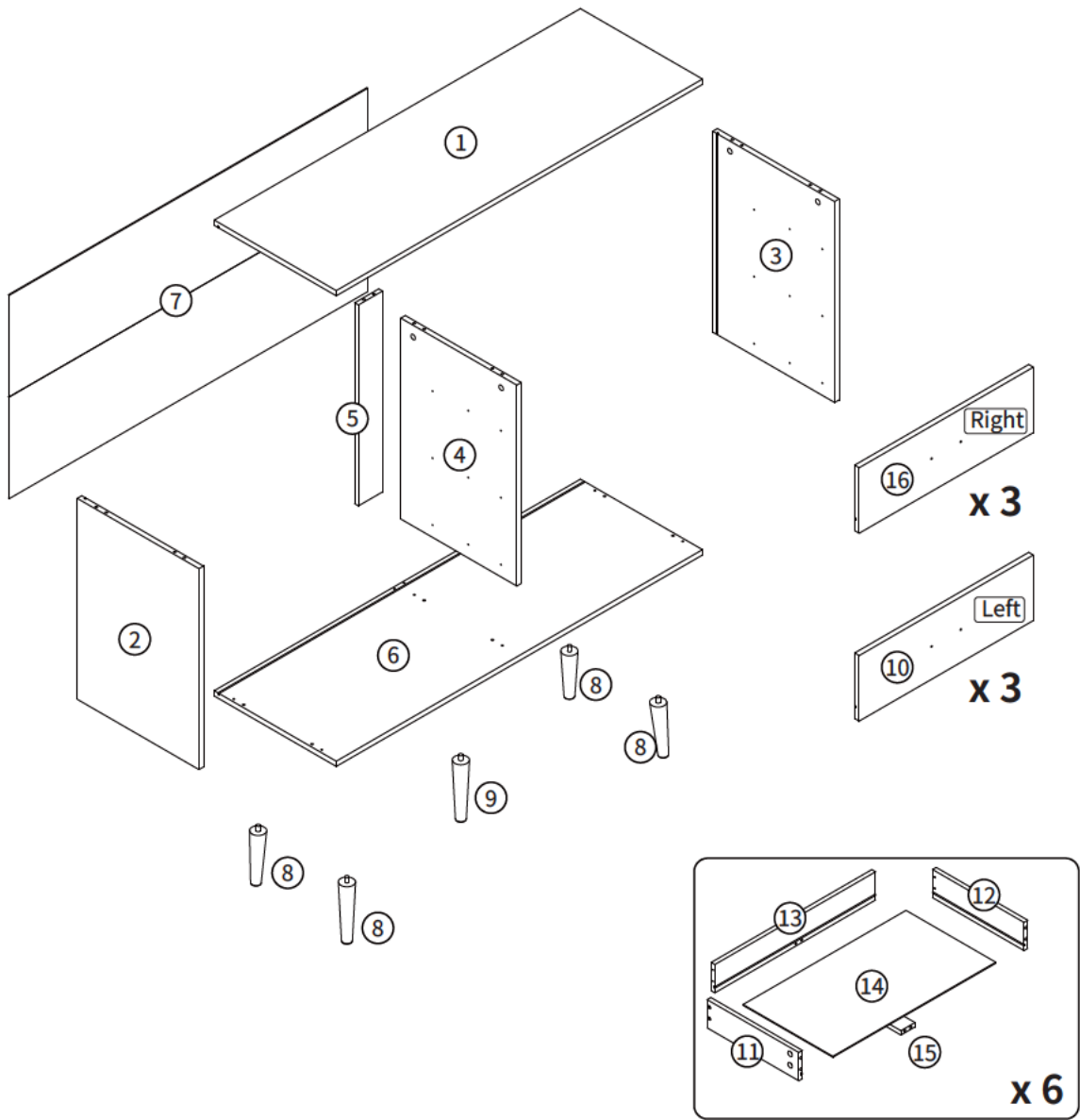
-Work in spacious area, preferably on a carpet, near the place the unit will be used.

-Do not use power tools to assemble your furniture. Power tools may strip or damage the parts.

-Move your new furniture carefully, with two people lift and carry the unit to it's new location.

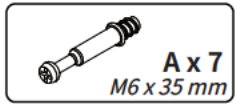
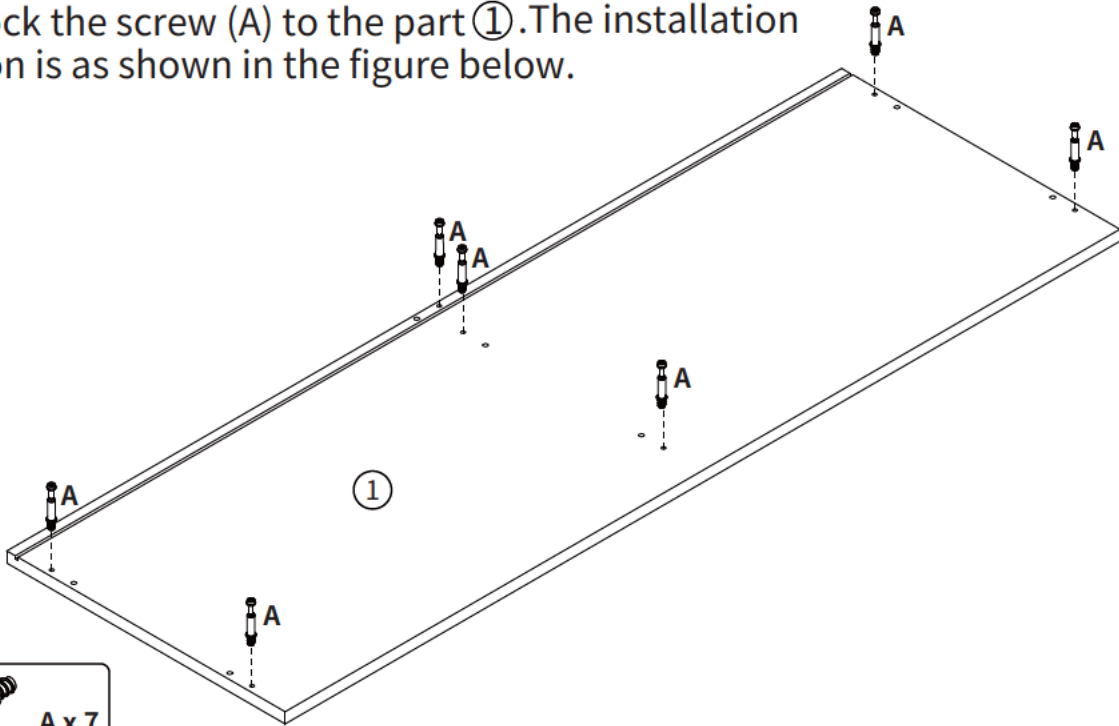
-Never push, drag or pull your furniture (especially on carpet)

 <b>WARNING</b>	
	<p><b>Children have died from furniture tipover. To reduce the risk of furniture tipover:</b></p> <ul style="list-style-type: none"><li>• ALWAYS install anti-tip device provided.</li><li>• NEVER put a TV on this product.</li><li>• NEVER allow children to stand, climb or hang on any drawers, doors, or shelves.</li><li>• NEVER open more than one drawer at a time.</li><li>• Place heaviest items in the lowest drawers.</li></ul>
	<p>This is a permanent label. Do not remove!</p>



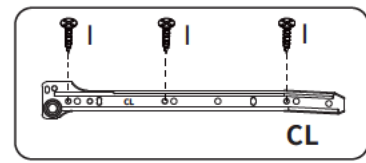
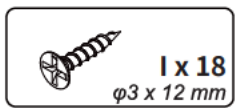
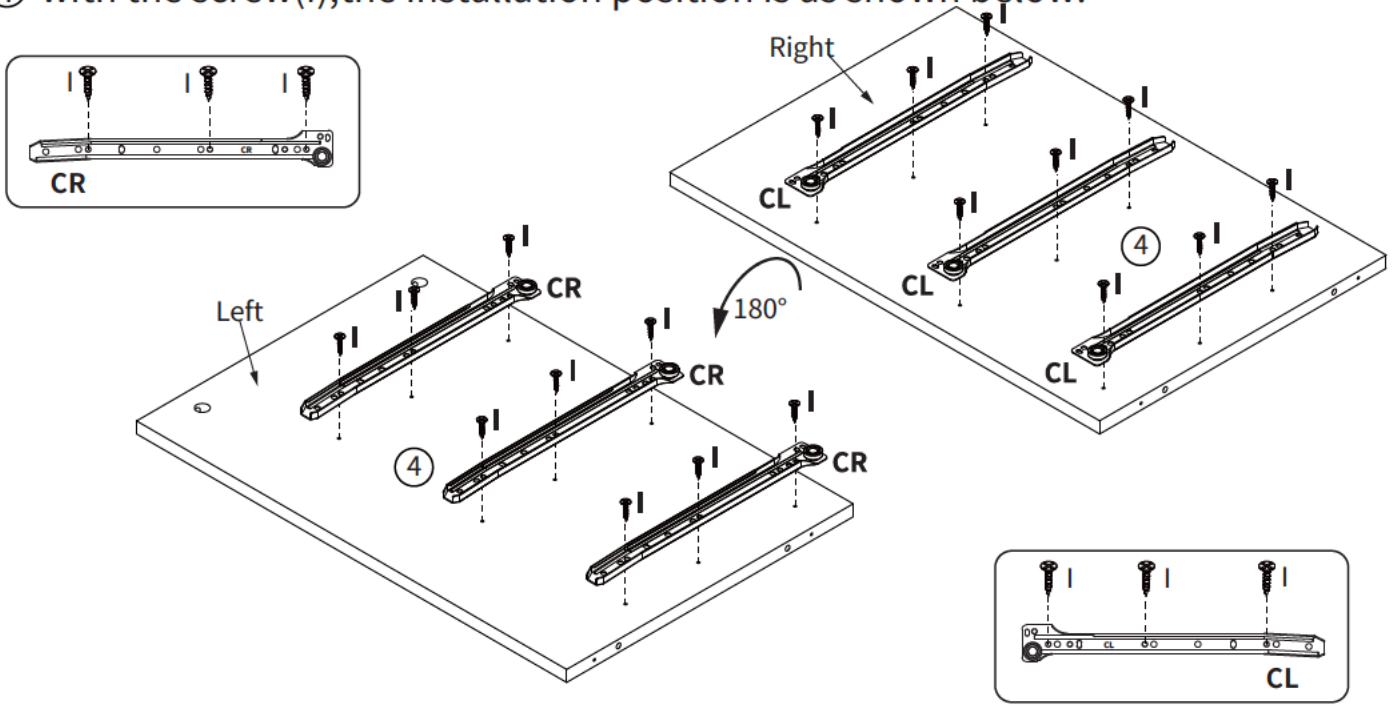
# Step 1

First lock the screw (A) to the part ①. The installation position is as shown in the figure below.



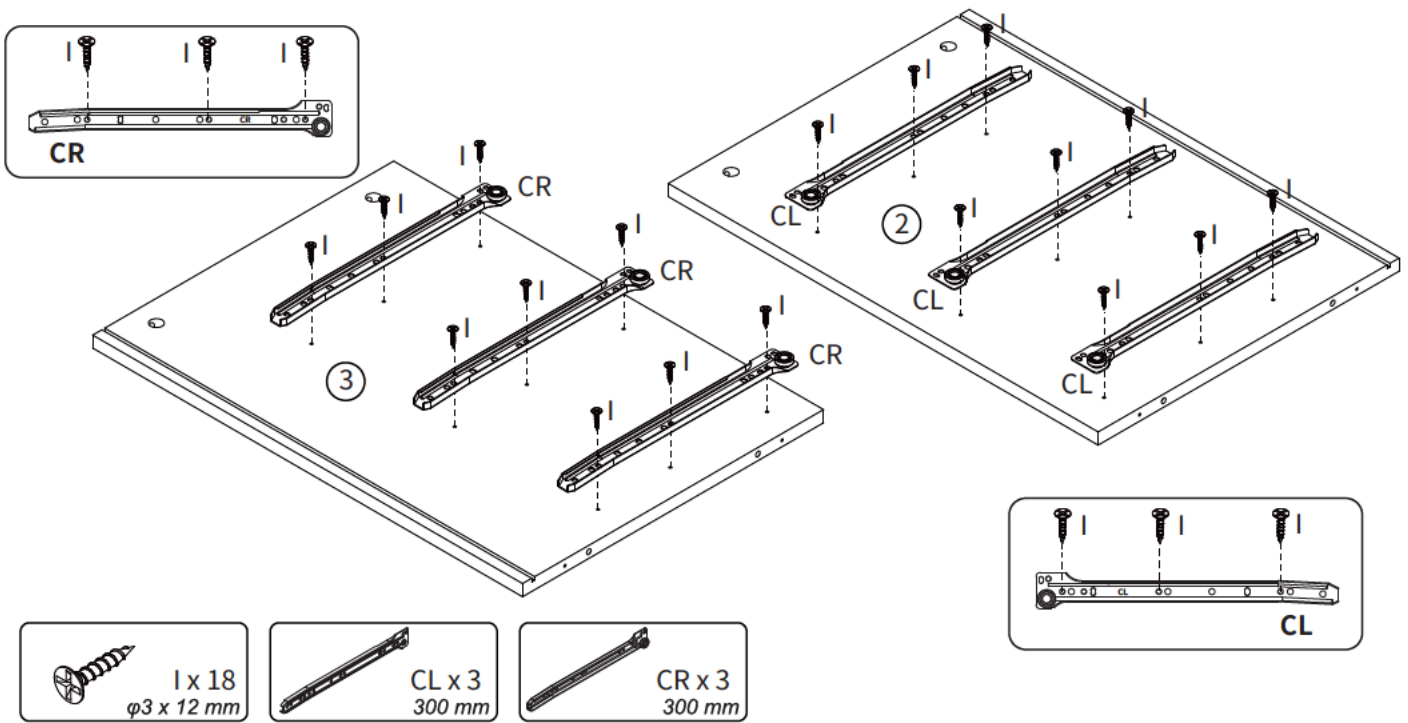
# Step 2

First lock the guide rail (CL) to the right side of the part ④ with the screw (I), then turn it 180 degrees and lock the guide rail (CR) to the left side of the part ④ with the screw (I), the installation position is as shown below.



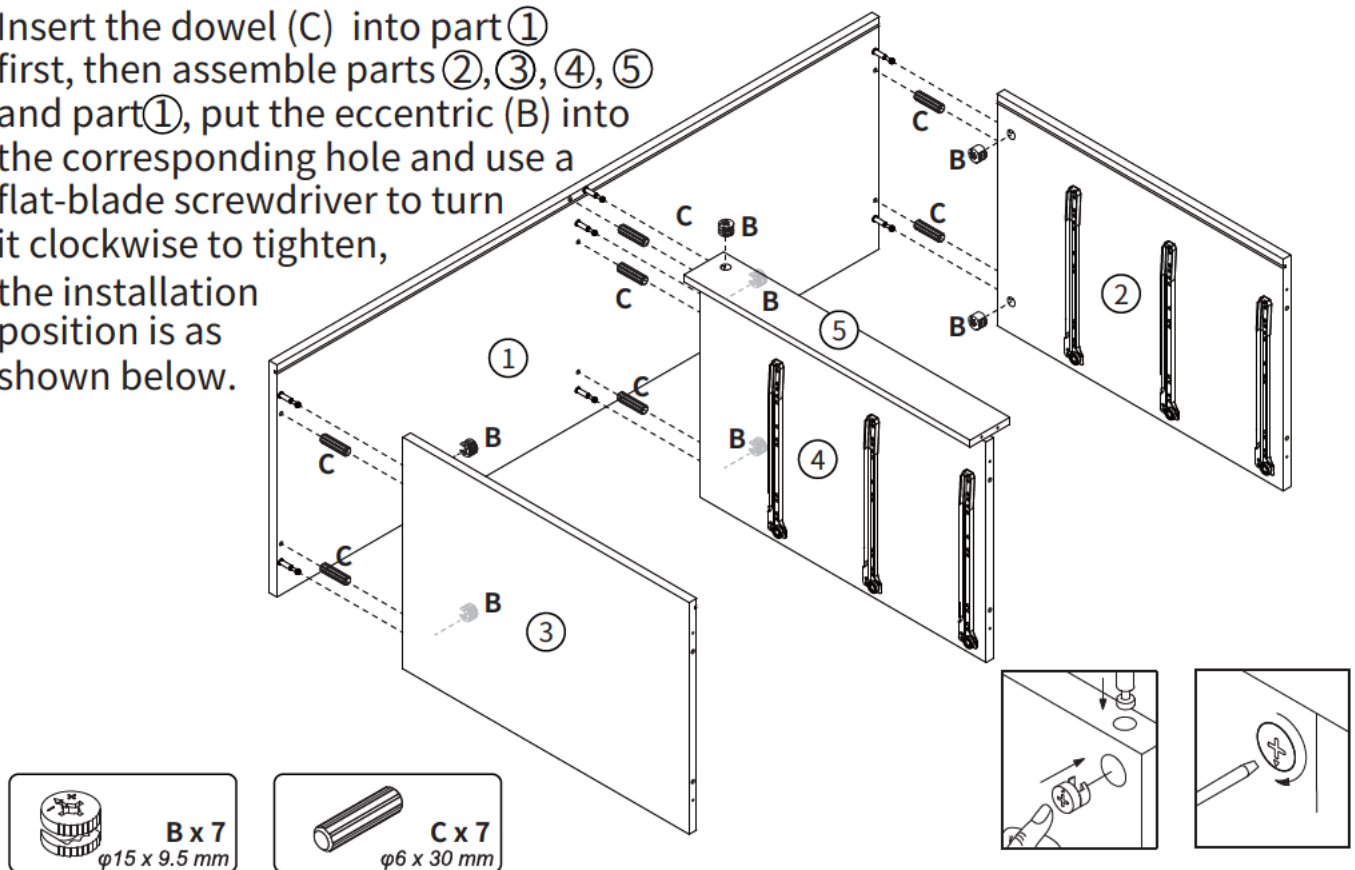
### Step 3

First lock the guide rail (CL) to the part ② with the screw (I), then lock the guide rail (CR) to the part ③ with the screw (I). The installation position is as shown in the figure below.



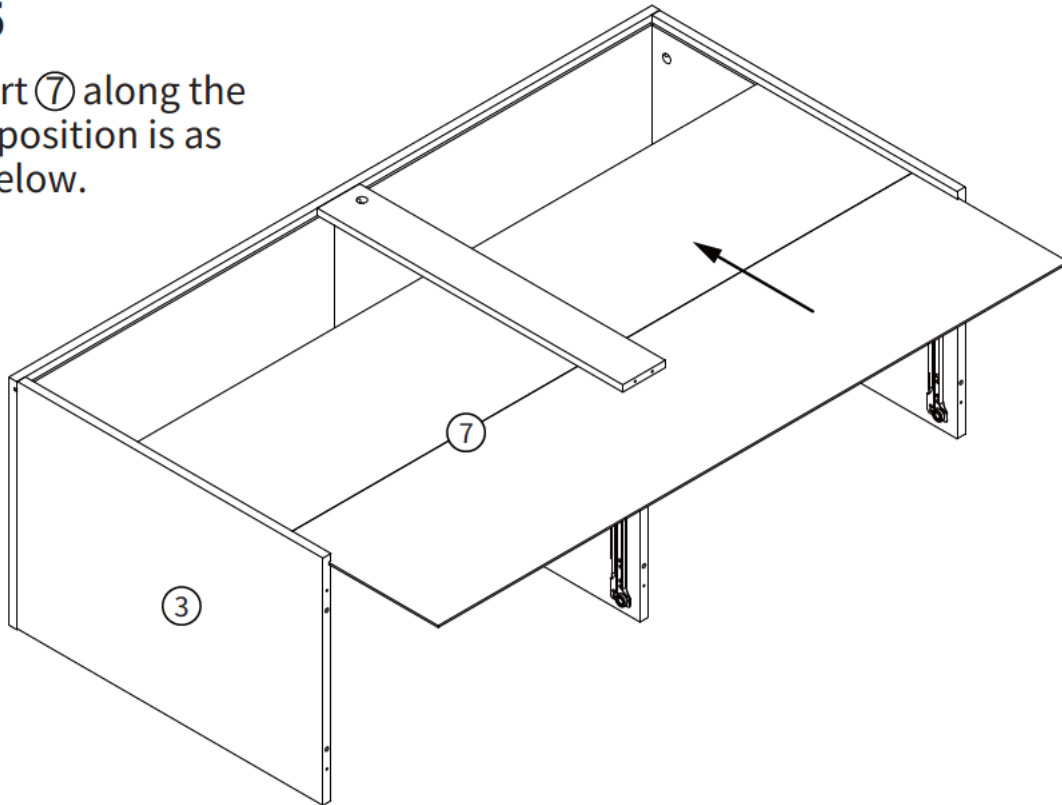
### Step 4

Insert the dowel (C) into part ① first, then assemble parts ②, ③, ④, ⑤ and part ①, put the eccentric (B) into the corresponding hole and use a flat-blade screwdriver to turn it clockwise to tighten, the installation position is as shown below.



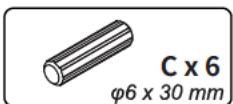
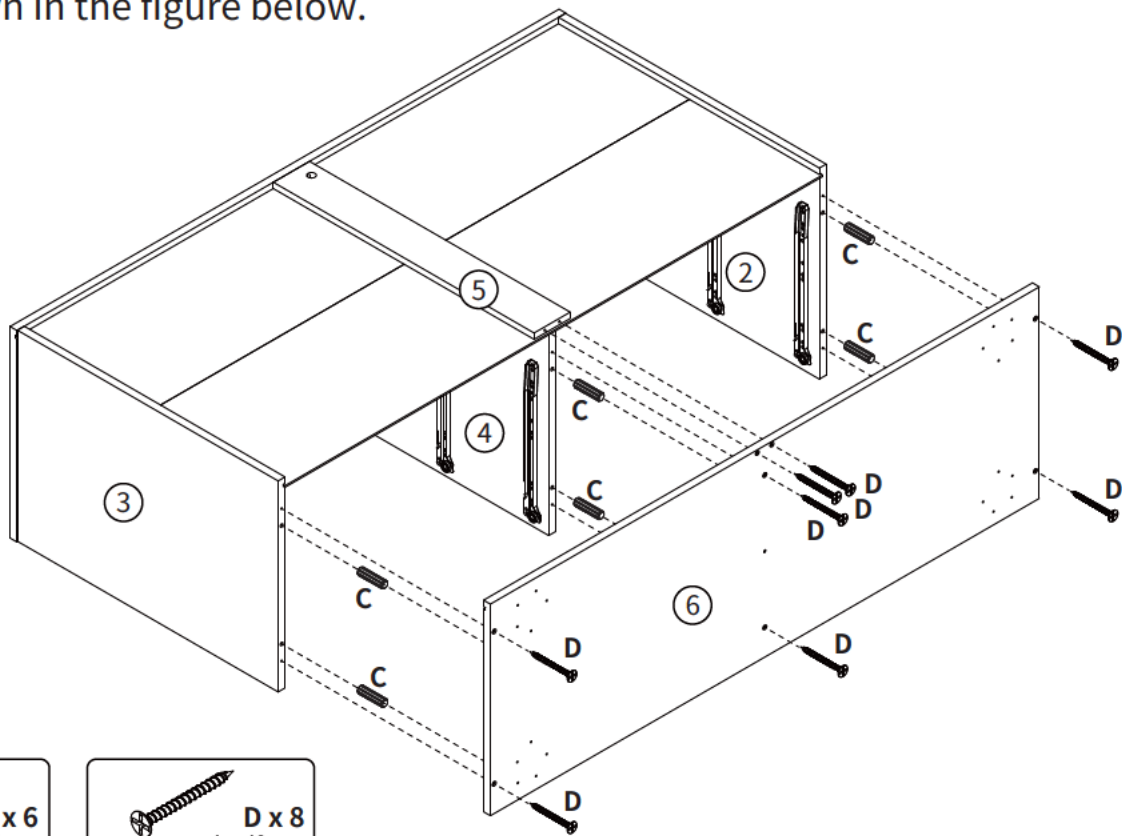
## Step 5

Insert part ⑦ along the slot, the position is as shown below.



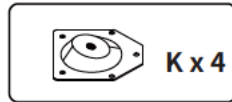
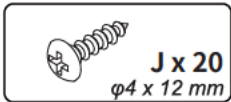
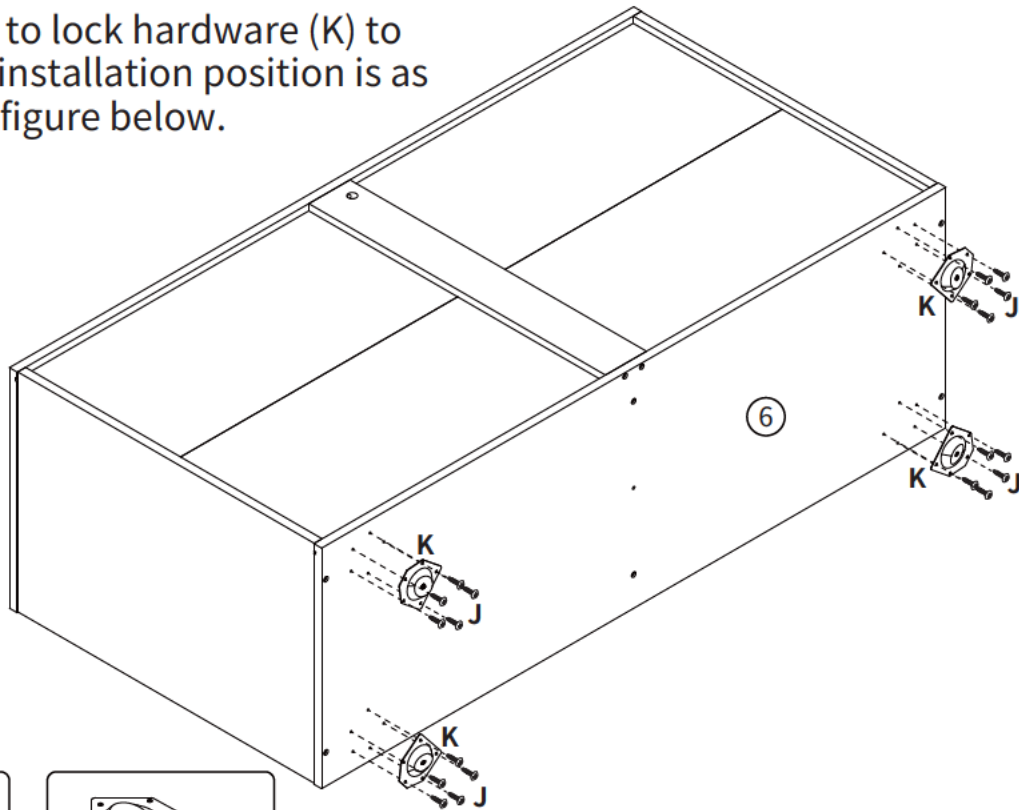
## Step 6

Insert the dowel (C) into part ⑥ first, then assemble the part ⑥ and parts ②, ③, ④, ⑤, and then use the screw (D) to lock it. The installation position is as shown in the figure below.



## Step 7

Use screw (J) to lock hardware (K) to part ⑥. The installation position is as shown in the figure below.

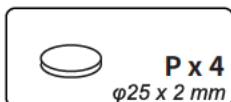
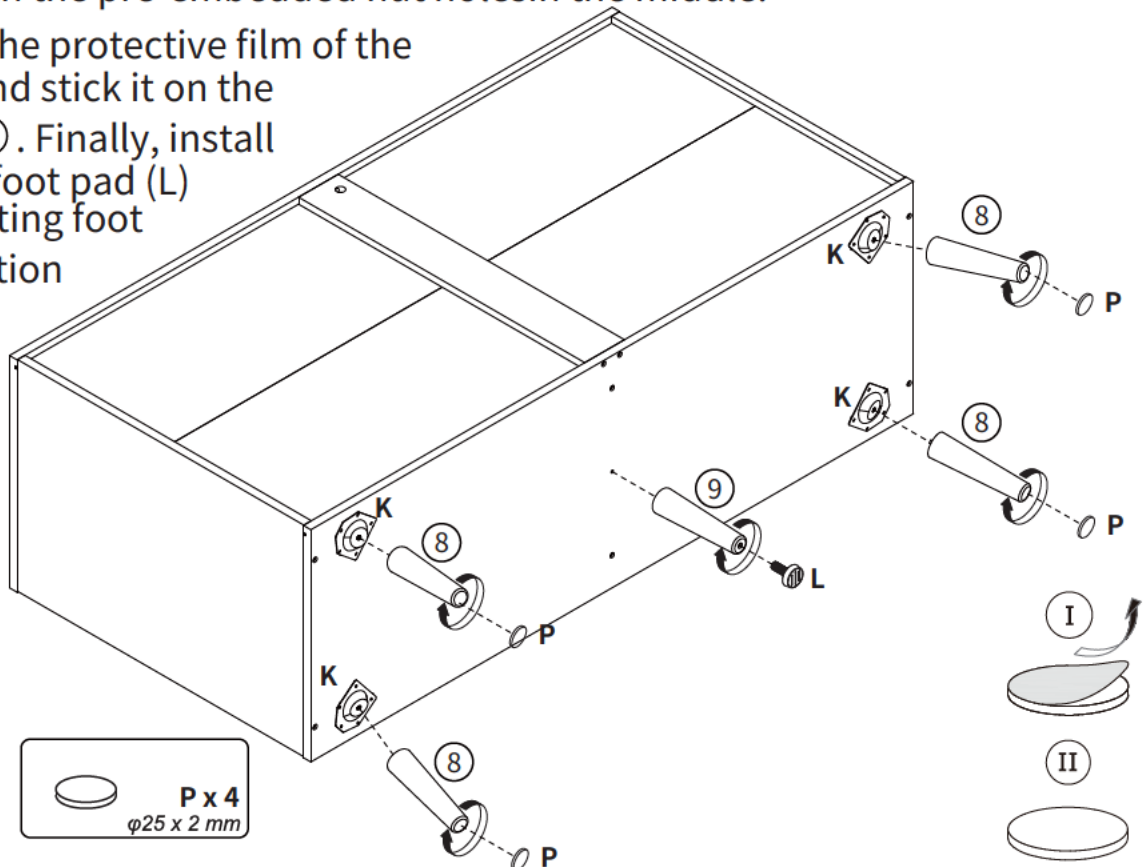


## Step 8

First, align the screw ends of the support feet ⑧ with the hardware (K) at the four corners and tighten them, and the support feet ⑨ with the pre-embedded nut holes in the middle.

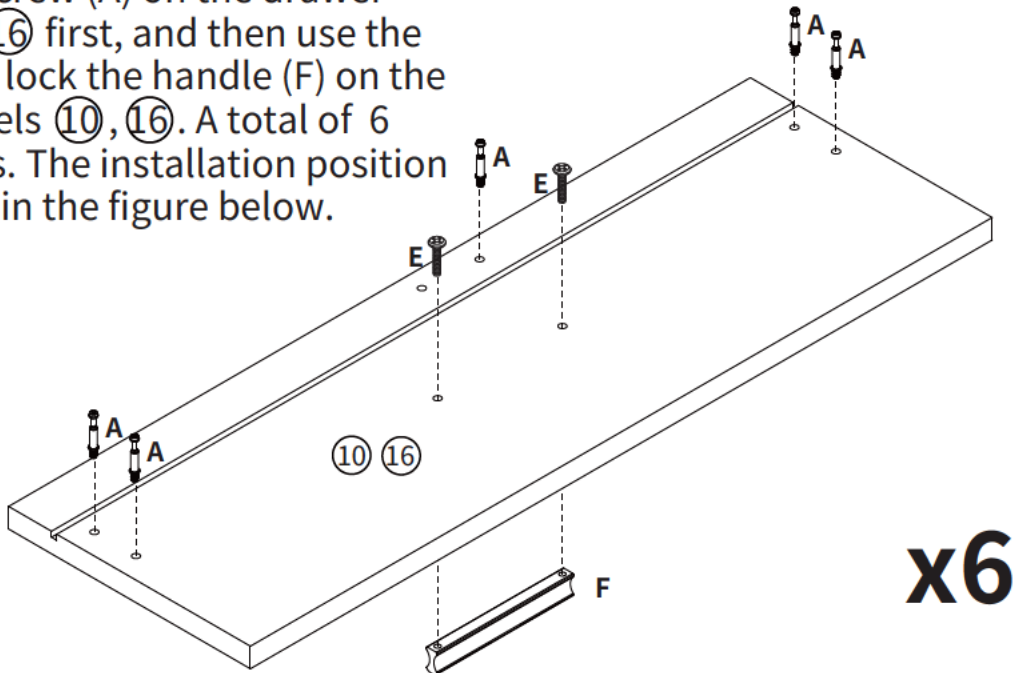
Then tear off the protective film of the foot pad (P) and stick it on the support foot ⑧. Finally, install the adjusting foot pad (L) on the supporting foot ⑨.

⑨. The installation position is as shown in the figure below.



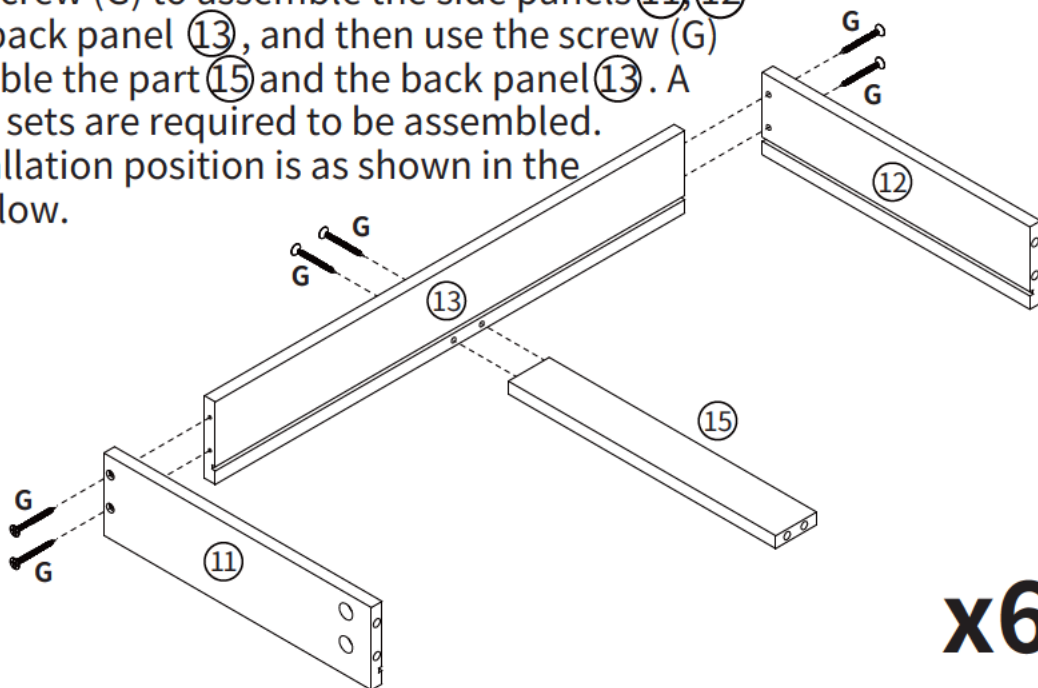
## Step 9

Install the screw (A) on the drawer panels (10), (16) first, and then use the screw (E) to lock the handle (F) on the drawer panels (10), (16). A total of 6 drawer panels. The installation position is as shown in the figure below.



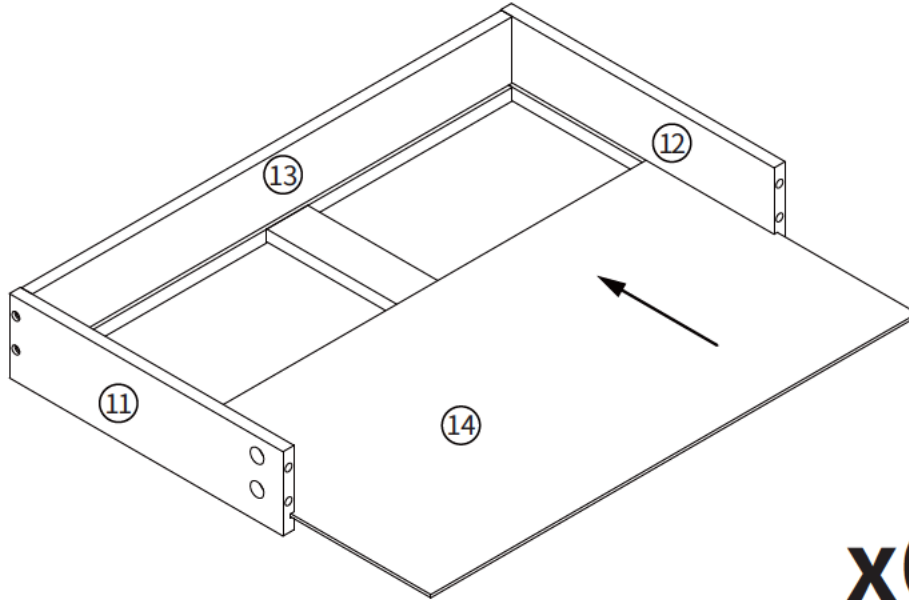
## Step 10

Use the screw (G) to assemble the side panels (11), (12) and the back panel (13), and then use the screw (G) to assemble the part (15) and the back panel (13). A total of 6 sets are required to be assembled. The installation position is as shown in the figure below.



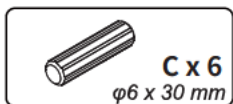
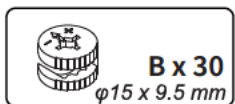
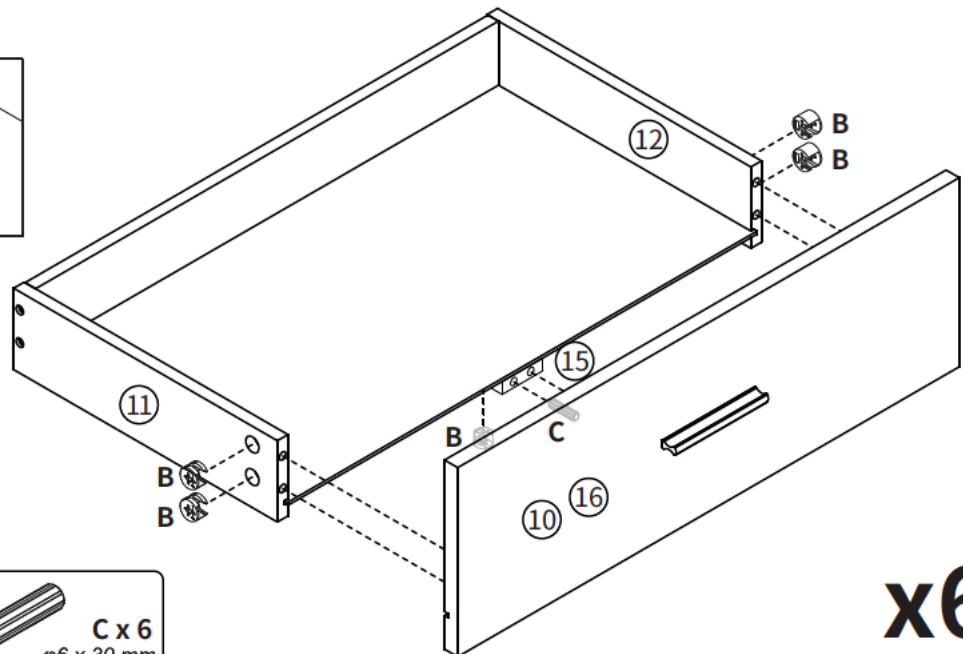
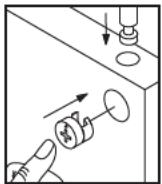
## Step 11

Insert the bottom plate (14) according to the card slot of the side plate. A total of 6 sets are required to be assembled. The installation position is as shown in the figure below.



## Step 12

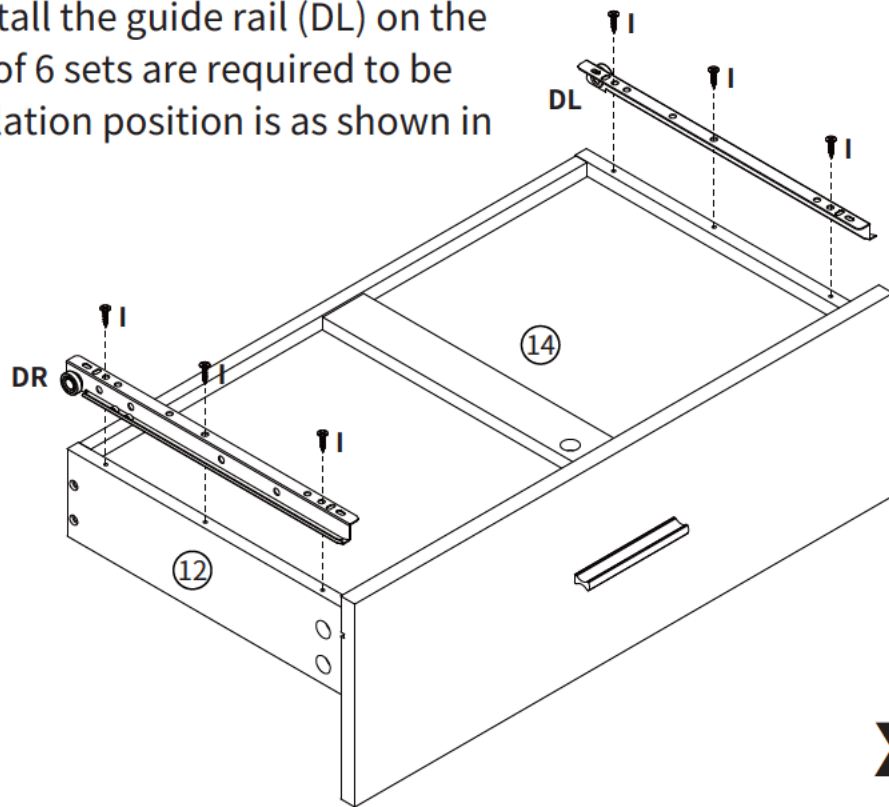
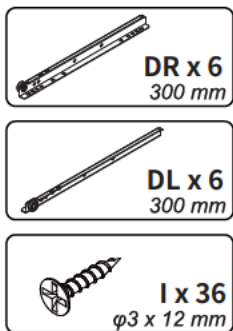
Insert the wooden dowel (C) into the component (15) first then assemble the drawer panels (10), (16), and the drawer side panels (11), (12), (15), put the eccentric (B) arrow in the direction of the screw and screw it clockwise. A total of 6 sets are required to be assembled. The installation position is as shown in the figure below.



**x6**

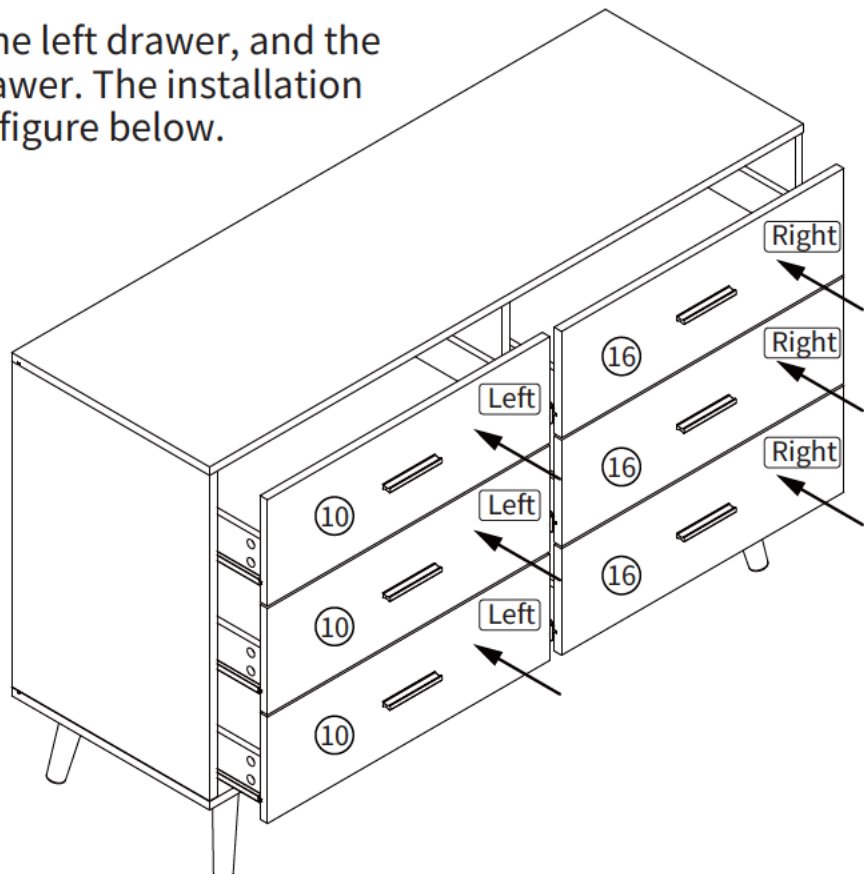
## Step 13

Use screws (I) to install the guide rail (DR) on the side panel (12), and install the guide rail (DL) on the side panel (11). A total of 6 sets are required to be assembled. The installation position is as shown in the figure below.



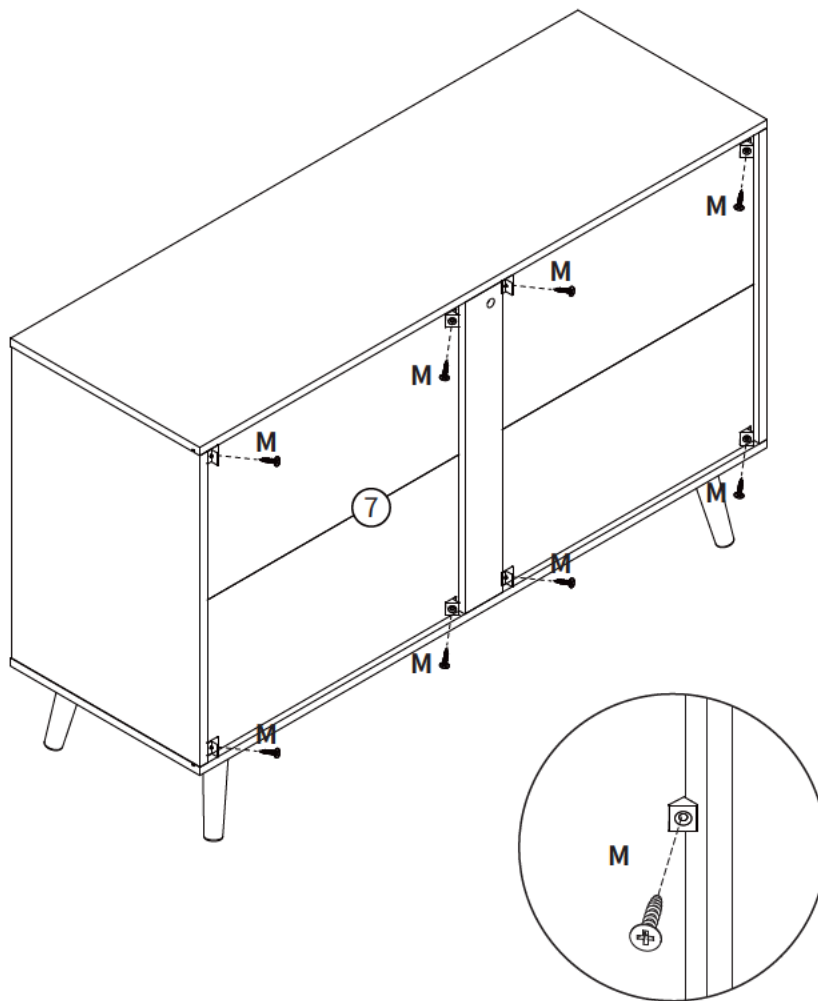
## Step 14

Install the (10) drawer into the left drawer, and the (16) drawer into the right drawer. The installation position is as shown in the figure below.



## Step 15

Use the screws in component (M) to fasten the back plate buckle. The installation position is as shown in the figure below.



## Step 16

First fasten the T-shaped iron piece with the short screw in component (N), then put the back of the cabinet against the wall, drill holes on the wall where it is placed, and finally use the long screw and expansion screw (O) in component (N) to fix the cabinet. The installation location is as shown in the figure below.

