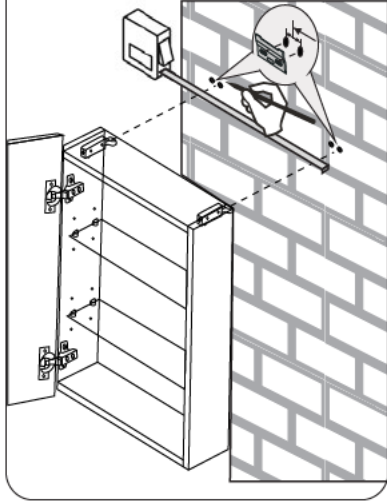


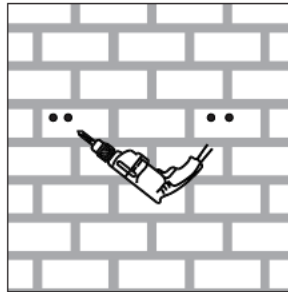
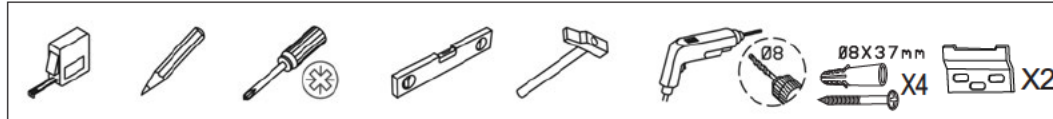
INSTRUCTION



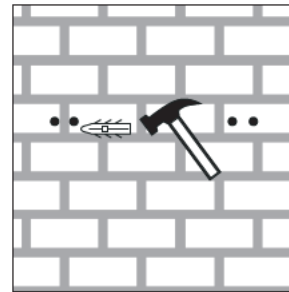
Fixing preparation



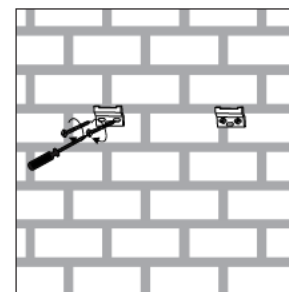
1



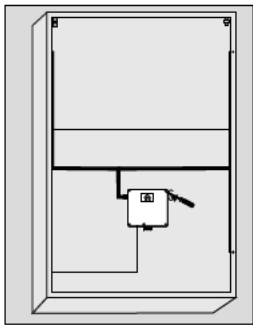
2



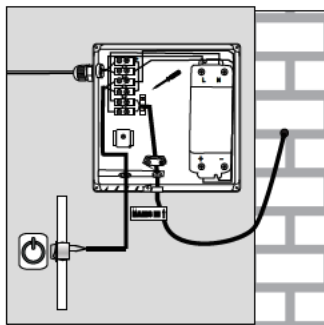
3



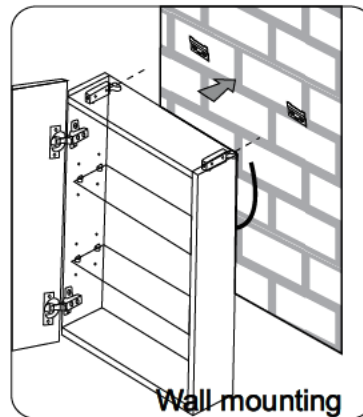
4



●

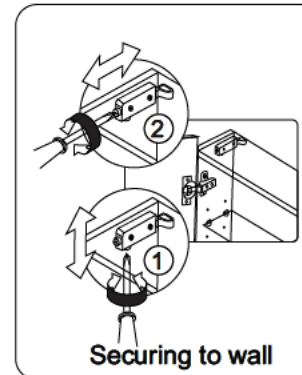


●



Wall mounting

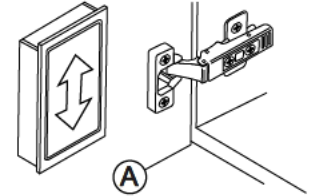
●



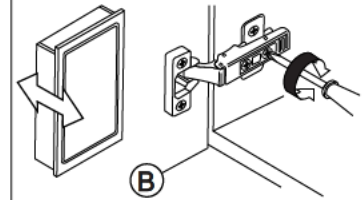
Securing to wall

●

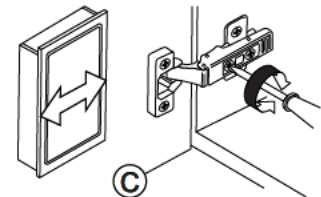
TAKE OFF THE BUFFER AND THE COVER OF THE HINGE WHEN DOOR NEED TO BE ADJUSTED



A



B



C

Door adjustment

●