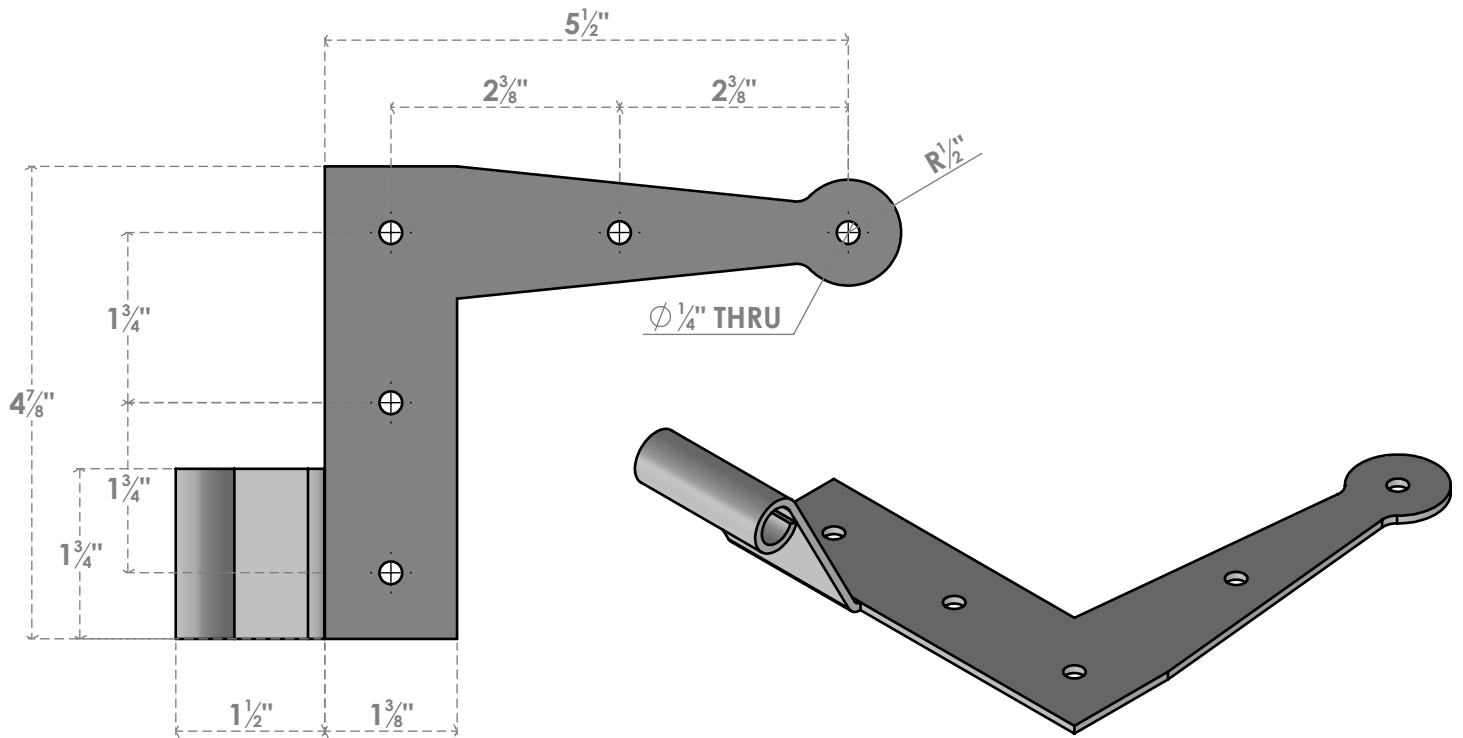


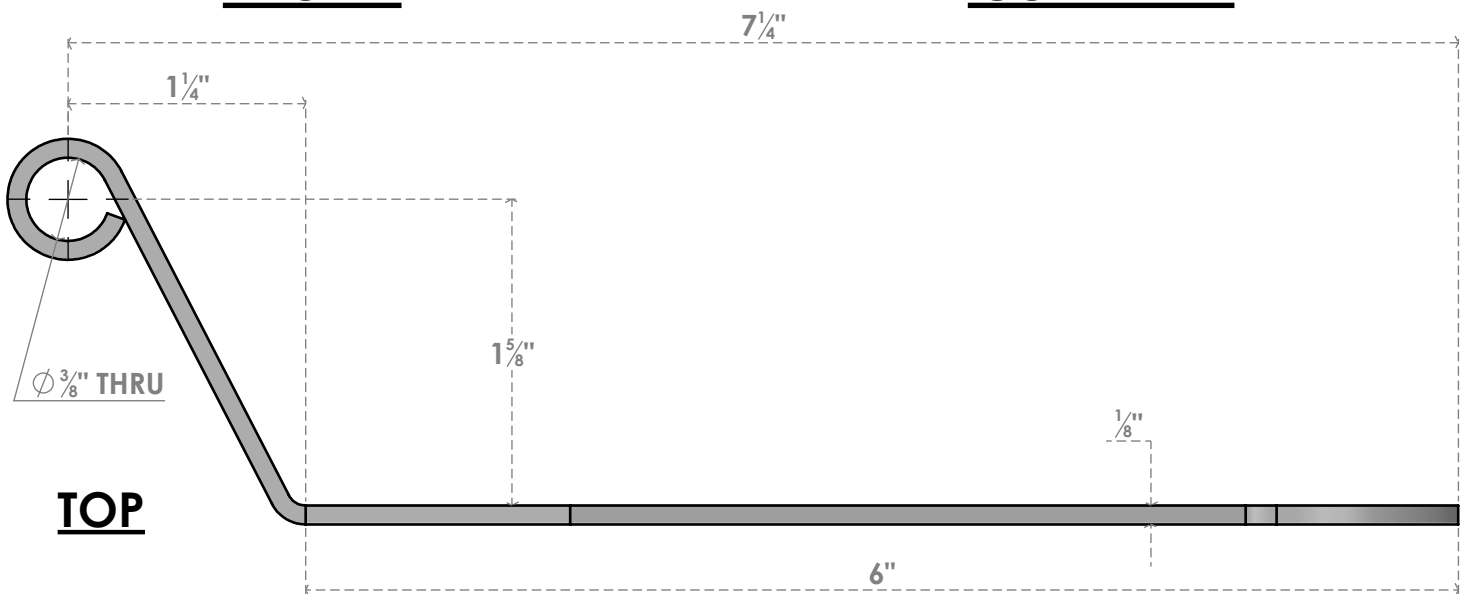
**ITEM NUMBER:** SHWM150X06LHSSBL

STEELTEK L-HINGE WITH 1-1/2" OFFSET (SOLD AS PAIR), 304 STAINLESS STEEL, POWDER COATED BLACK



**FRONT**

**ISOMETRIC**



**TOP**



EKENA MILLWORK  
2300 WEST MAIN ST.  
CLARKSVILLE, TX 75426  
TOLL FREE: 866-607-0453  
WWW.EKENAMILLWORK.COM

GENERATED DATE : 11/12/2024

**NOTES**

1. INSTALLATION TO BE COMPLETED IN ACCORDANCE WITH MANUFACTURER'S SPECIFICATIONS.
2. DRAWING MAY NOT BE TO SCALE
3. THIS DRAWING IS INTENDED FOR DESIGN AND PLANNING PURPOSES ONLY.
5. MANUFACTURED FROM 304 STAINLESS STEEL WITH POWDERCOATED BLACK FINISH.
6. ACTUAL DIMENSIONS MAY VARY DUE TO MATERIAL AND MANUFACTURING TOLERANCES