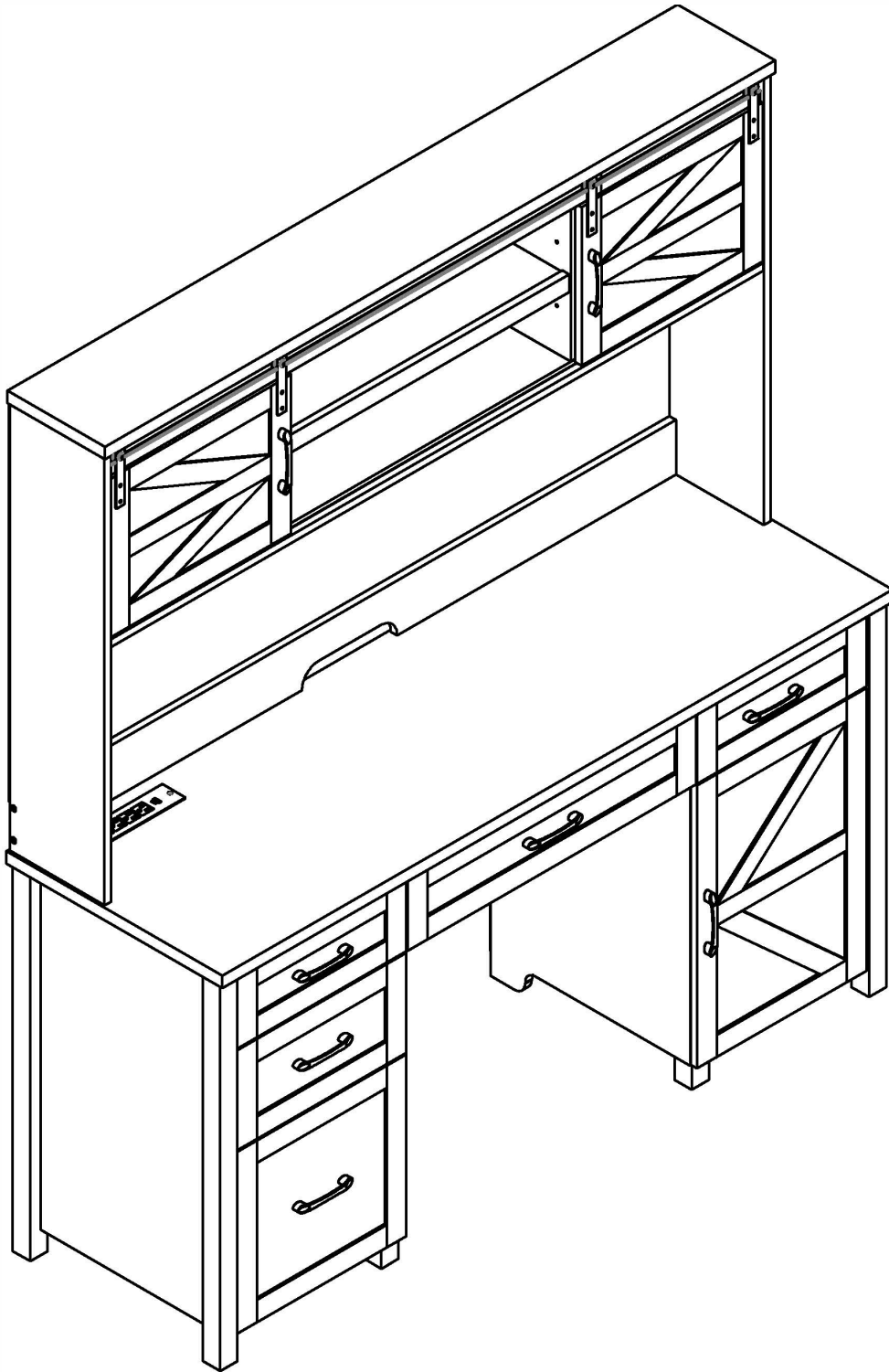
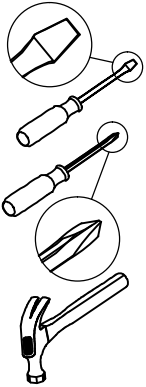


# Installation & Assembly

---



# Before You Start



- ✓ Read through each step carefully and follow the proper order
- ✓ Separate and count all your parts and hardware
- ✓ Give yourself enough room for the assembly process
- ✓ Have the following tools: Flat Head Screwdriver, #2 Phillips Head Screwdriver and Hammer
- ✓ Caution: If using a power drill or power screwdriver for screwing, please be aware of to slow down and stop when screw is tight. Failure to do so may result in stripping the screw. (Assembly speed can be increased by using electric screwdriver)

# Helpful Hints

## PEOPLE NEEDED FOR ASSEMBLY: 1-2

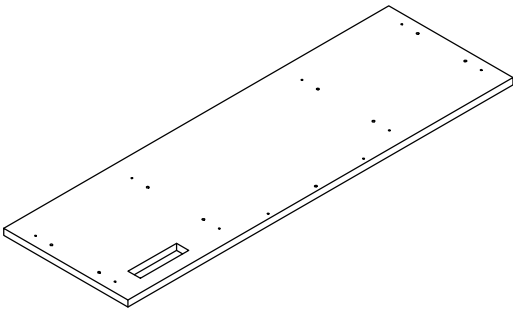
- Open your item in the area you plan to keep it to avoid excessive heavy lifting.
- Identify, sort and count the parts before attempting assembly.
- Compression dowels are lightly tapped in with a hammer.
- Slides are labeled with an **R** (right) and **L** (left) for proper placement.
- Make sure to always face the point on the top of the Cam Lock towards the outer edge.
- If there is a back panel in the package, please install it to make sure your unit is complete and sturdy.
- Please fix all the screws provided for the back panel which can enhance product stability. If it is difficult to fix it when tightening, it can be fixed with the help of a hammer and then tightened.
- Do NOT use harsh chemicals or abrasive cleaners on this item.
- Never push, pull, or drag your furniture.



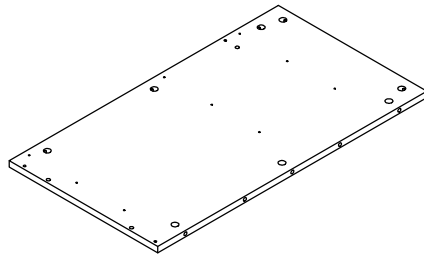
---

# Board Identification

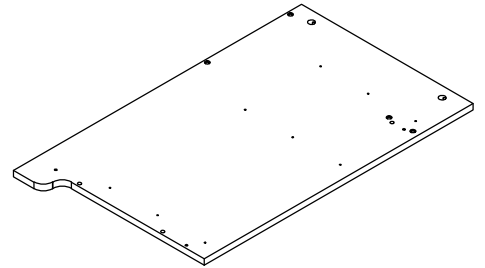
Not actual size



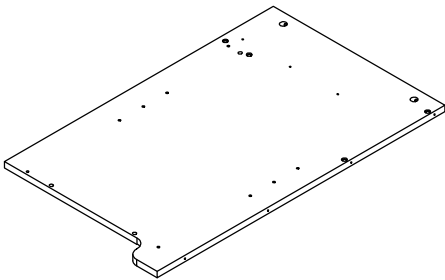
(A)  
DESK TOP



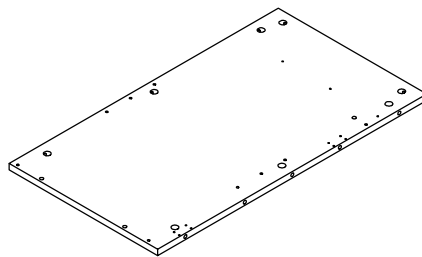
(B)  
LOWER LEFT SIDE PANEL



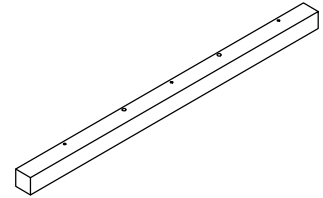
(C)  
LOWER LEFT SIDE PARTITION



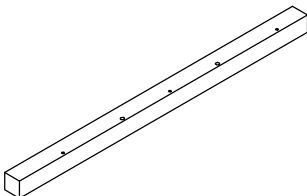
(D)  
LOWER RIGHT SIDE PARTITION



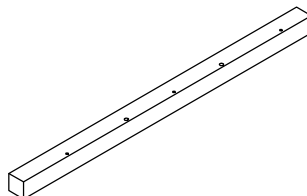
(E)  
LOWER RIGHT SIDE PANEL



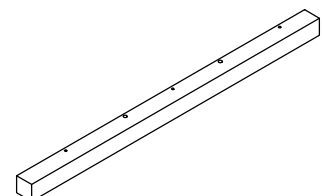
(F)  
LEG



(G)  
LEG



(H)  
LEG

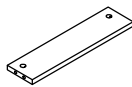


(I)  
LEG

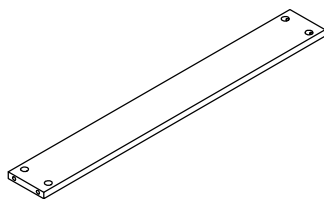
---

# Board Identification

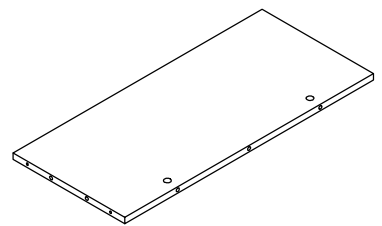
Not actual size



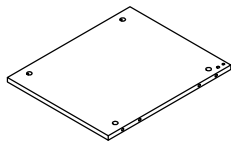
ⓐ  
FRONT SLAT  
Qty:2



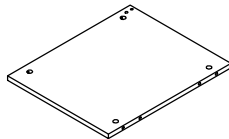
ⓑ  
FRONT SLAT



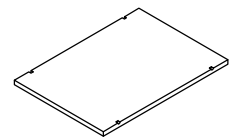
ⓒ  
BACK SLAT



ⓓ  
LEFT SIDE BOTTOM



ⓔ  
RIGHT SIDE BOTTOM



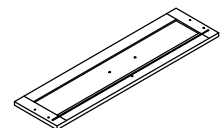
ⓕ  
SHELF PANEL



ⓖ  
LEG



ⓗ  
LEG

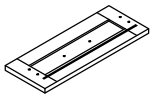


ⓘ  
DRAWER FRONT PANEL

---

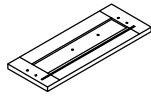
# Board Identification

Not actual size



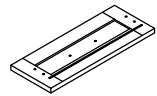
Ⓢ

DRAWER FRONT PANEL



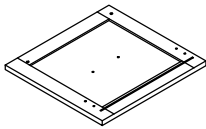
Ⓣ

DRAWER FRONT PANEL



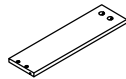
Ⓤ

DRAWER FRONT PANEL



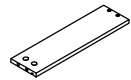
Ⓥ

DRAWER FRONT PANEL



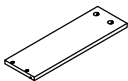
Ⓦ

DRAWER LEFT SIDE PANEL  
Qty:3



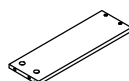
Ⓧ

DRAWER RIGHT SIDE PANEL  
Qty:3



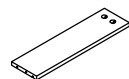
Ⓨ

DRAWER LEFT SIDE PANEL



Ⓩ

DRAWER RIGHT SIDE PANEL



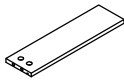
ⒶⒶ

DRAWER LEFT SIDE PANEL

---

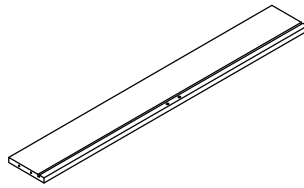
# Board Identification

Not actual size



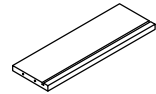
Ⓑ

DRAWER RIGHT SIDE PANEL



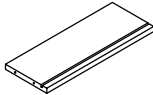
Ⓒ

DRAWER BACK PANEL



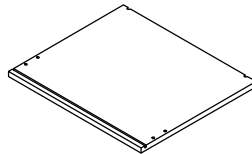
Ⓓ

DRAWER BACK PANEL  
Qty:2



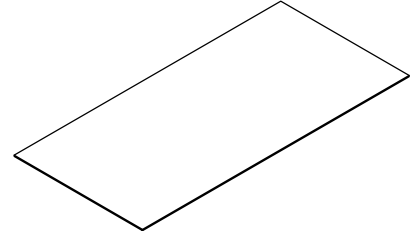
Ⓔ

DRAWER BACK PANEL



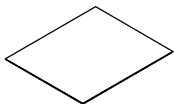
Ⓕ

DRAWER BACK PANEL



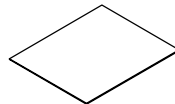
Ⓖ

DRAWER BOTTOM PANEL



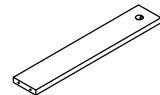
Ⓗ

DRAWER BOTTOM PANEL  
Qty:3



Ⓖ

DRAWER BOTTOM PANEL



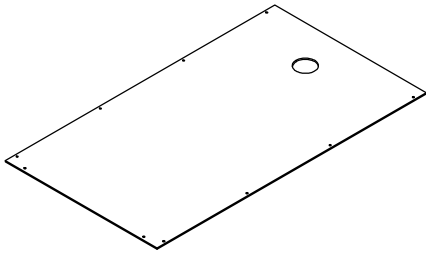
Ⓙ

DRAWER BOTTOM SLAT

---

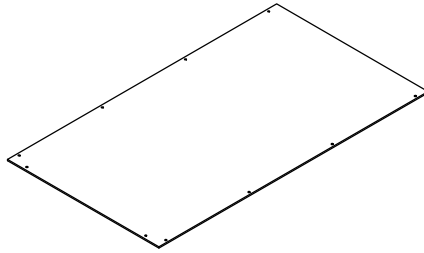
# Board Identification

Not actual size



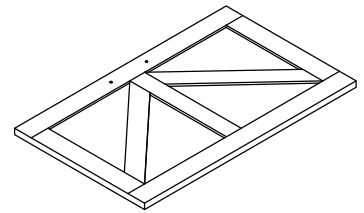
ⓀⓀ

BACK PANEL



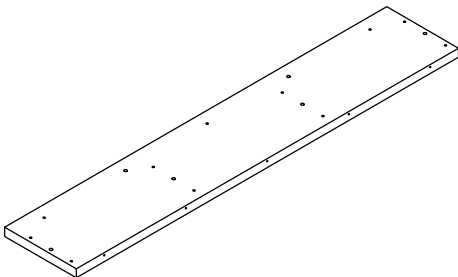
ⓁⓁ

BACK PANEL



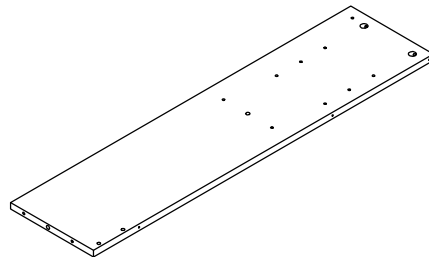
ⓂⓂ

PANEL



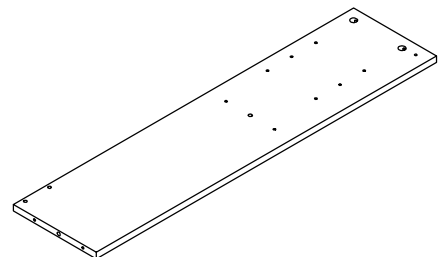
ⓃⓃ

GUARD



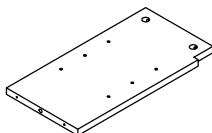
ⓄⓄ

UPPER LEFT SIDE PANEL



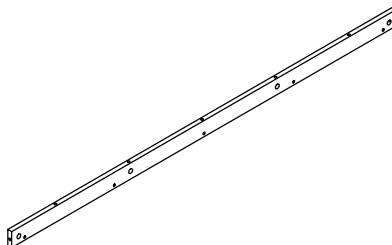
ⓅⓅ

UPPER RIGHT SIDE PANEL



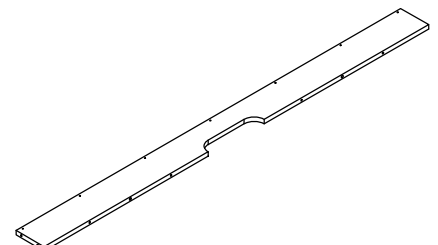
ⓆⓆ

MIDDLE SHELF  
Qty:2



ⓇⓇ

UPPER RAIL



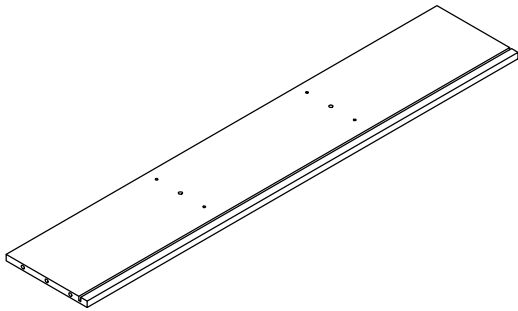
ⓈⓈ

BACK SEPTUM

---

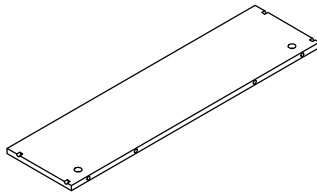
# Board Identification

Not actual size



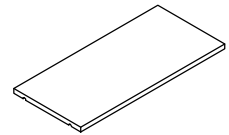
ⓉⓉ

UPPER BOTTOM



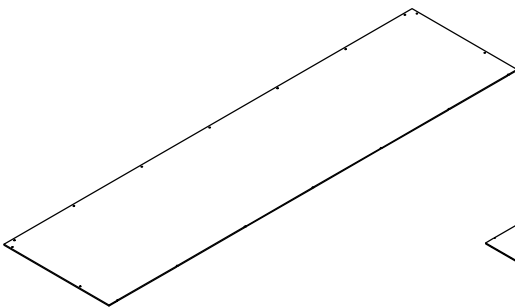
ⓊⓊ

SHELF PANEL



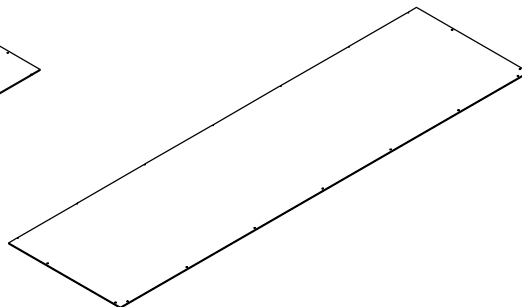
ⓋⓋ

SHELF PANEL  
Qty:2



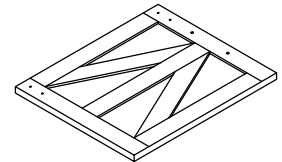
ⓌⓌ

UPPER BACK PANEL



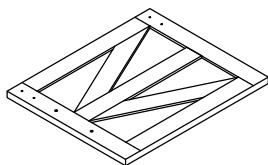
ⓍⓍ

UPPER BACK PANEL



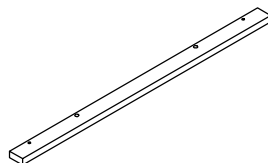
ⓎⓎ

LEFT DOOR



ⓏⓏ

RIGHT DOOR

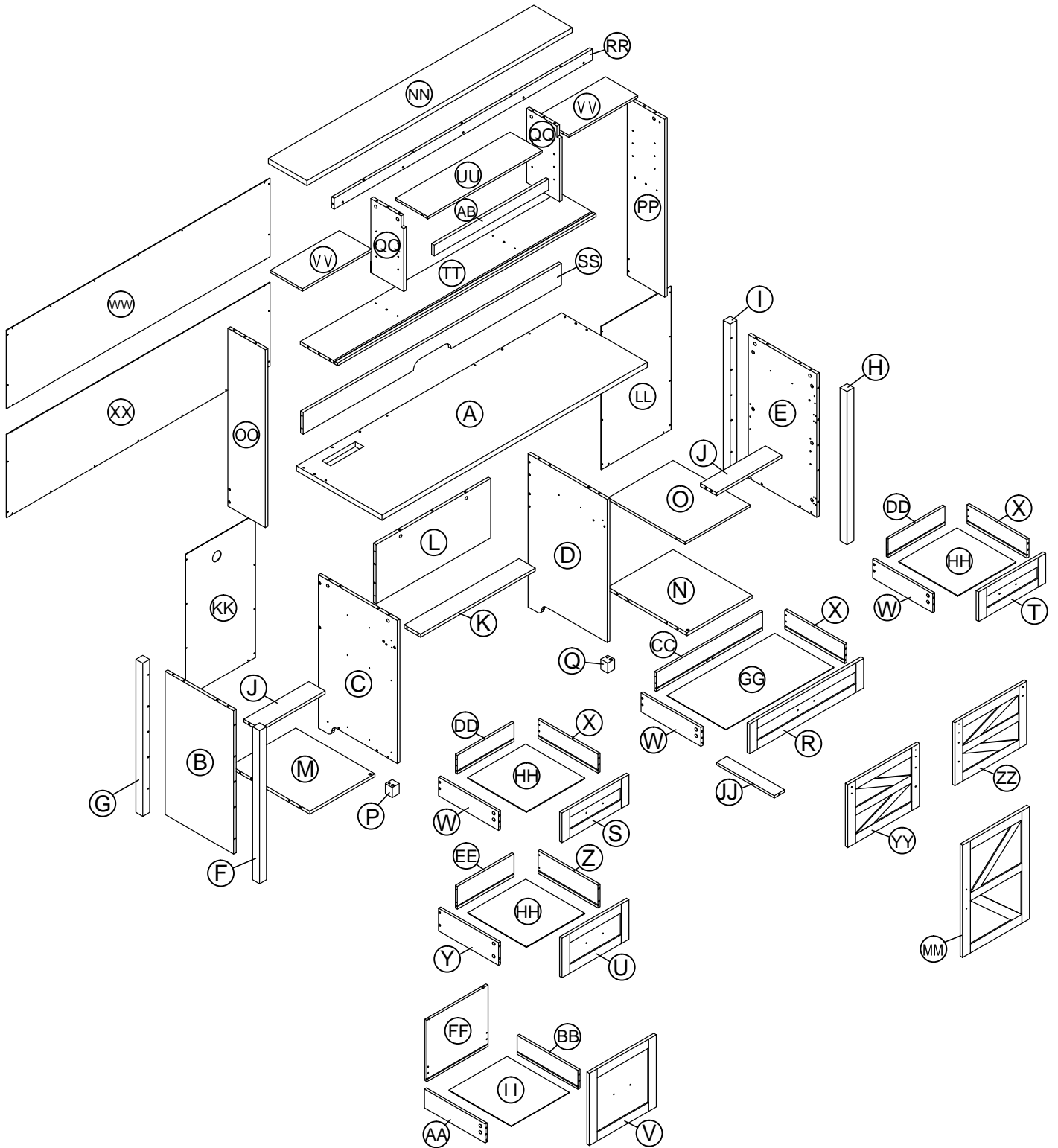


ⒶⒷ

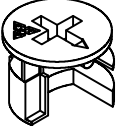
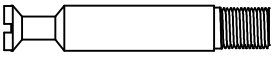

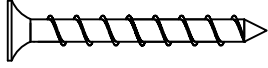
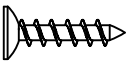
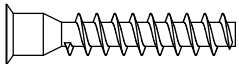
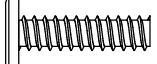
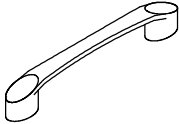

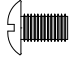
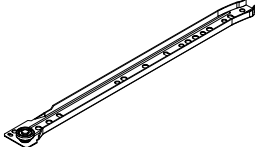
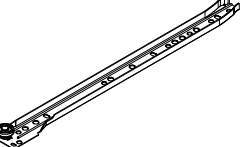
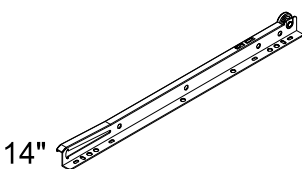
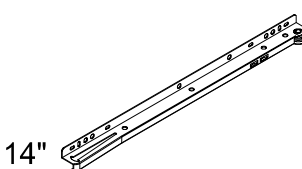

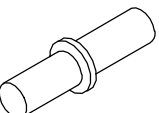
RAIL

# Board Identification

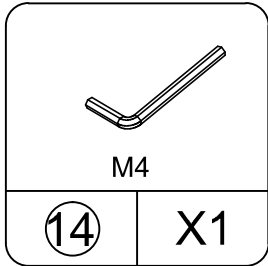
Not actual size



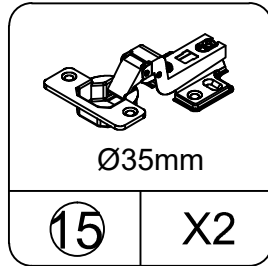
# Part List

 Ø15X9mm <b>1</b>   <b>X73</b>	 ø6.5X35mm <b>2</b>   <b>X73</b>	 ø8X30mm <b>3</b>   <b>X52</b>	 ø4X35mm <b>4</b>   <b>X26</b>
CAM LOCK spare: 5	CAM BOLT spare: 5	WOOD DOWEL spare: 5	SCREW spare: 2
 Ø3.5X14mm <b>5</b>   <b>X80</b>	 M6X50mm <b>6</b>   <b>X20</b>	 M6X25mm <b>7</b>   <b>X7</b>	 <b>8</b>   <b>X8</b>
SCREW spare: 5	SCREW spare: 2	SCREW spare: 1	HANDLE
 Ø4X18mm <b>9</b>   <b>X6</b>	 Ø4X6mm <b>10</b>   <b>X10</b>	 14"   <b>11CL</b>   <b>X5</b>	 14"   <b>11CR</b>   <b>X5</b>
SCREW spare: 1	SCREW spare: 1	LEFT CABINET MEMBER	RIGHT CABINET MEMBER
 14"   <b>11DL</b>   <b>X5</b>	 14"   <b>11DR</b>   <b>X5</b>	 Ø3.5X12mm <b>12</b>   <b>X48</b>	 <b>13</b>   <b>X16</b>
LEFT DRAWER RUNNER	RIGHT DRAWER RUNNER	SCREW spare: 4	SHELF SUPPORT spare: 1

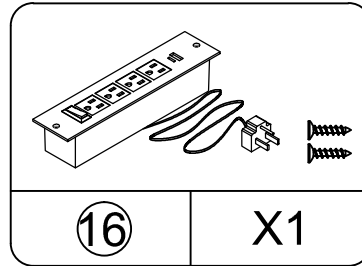
# Part List



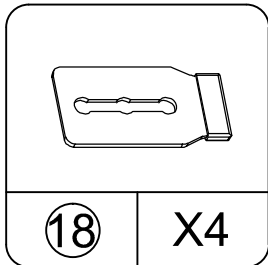
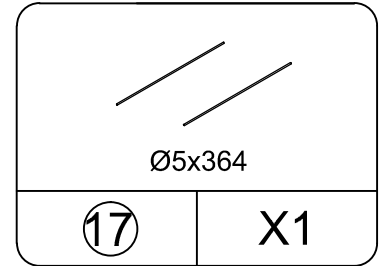
HEX KEY



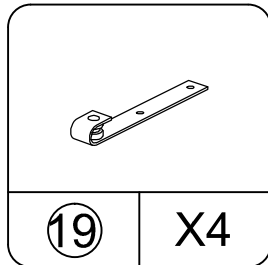
HINGE



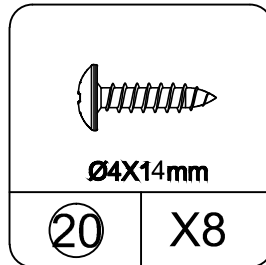
PLUG BOARD



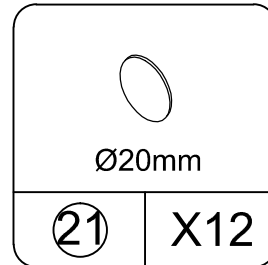
PLATE



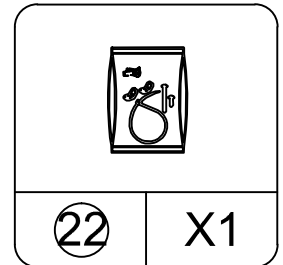
PULLEY



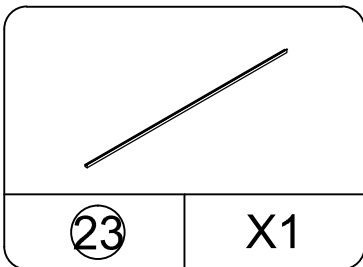
SCREW  
spare: 1



SCAM LOCK COVER

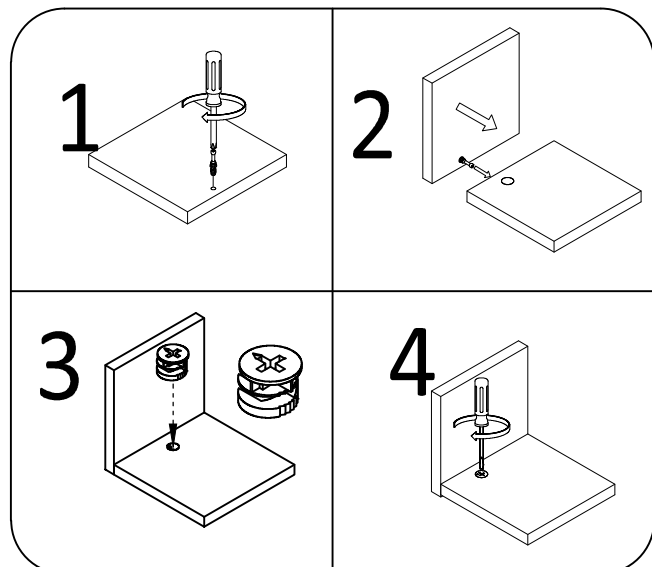


TIPPING RESTRAINT  
HARDWARE KIT

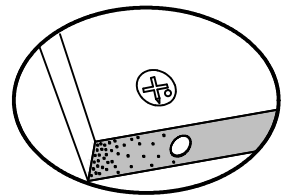
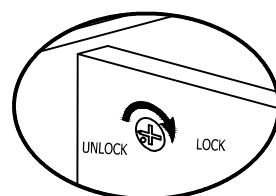
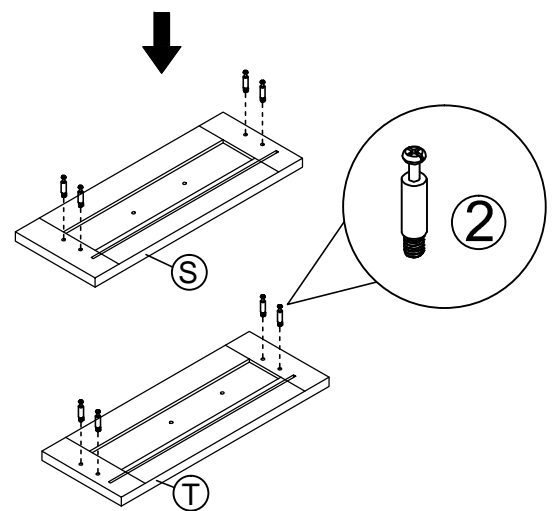
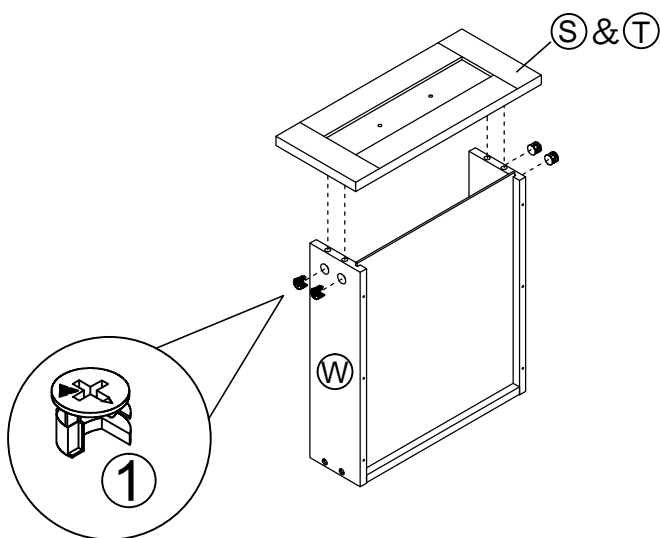
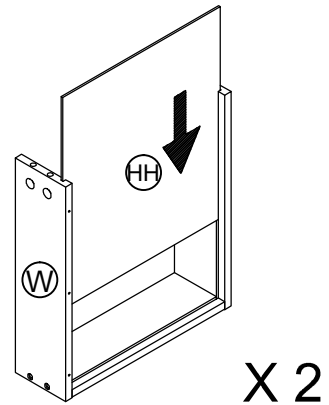
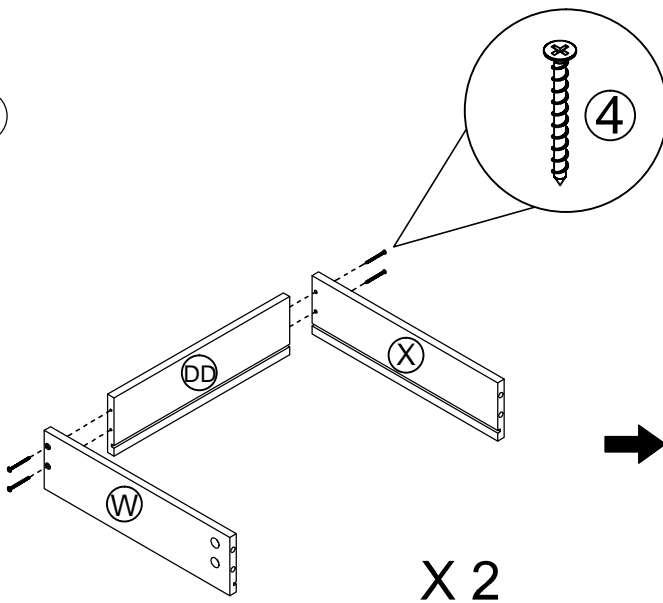
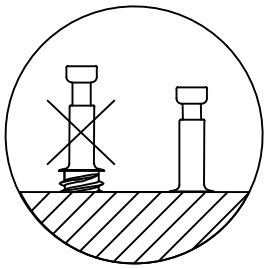
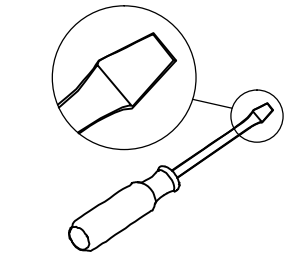
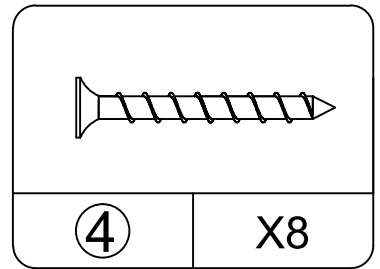
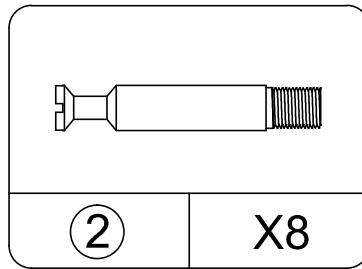
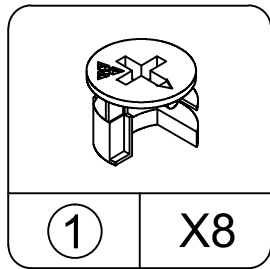
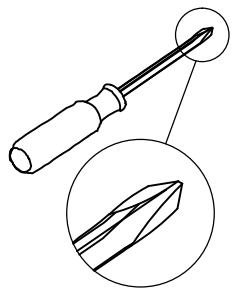


## Cam Lock Fastening System

Insert the cam bolt into the hole first, then insert the cam lock and lock it.

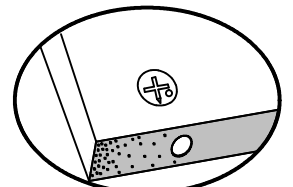
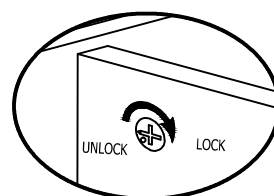
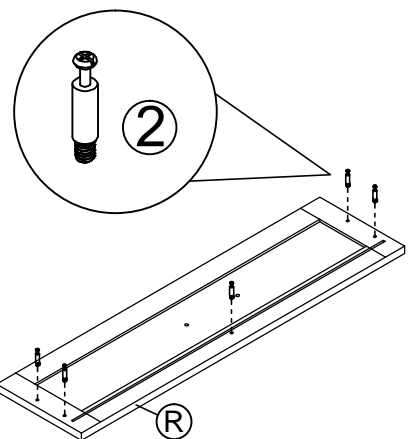
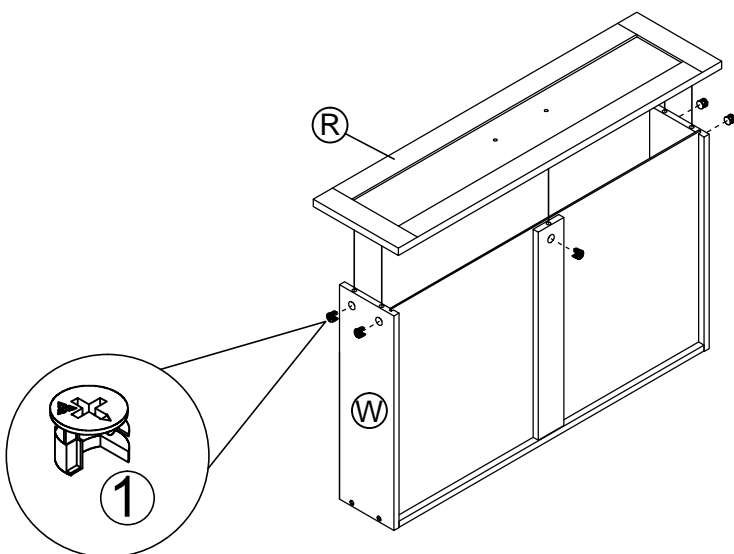
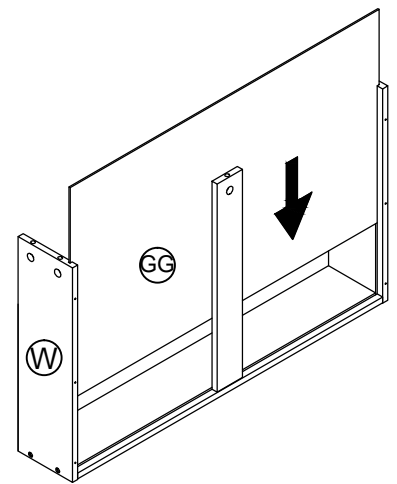
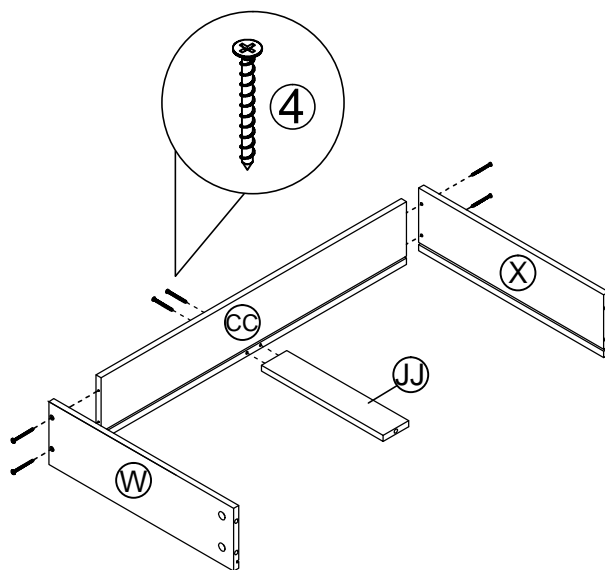
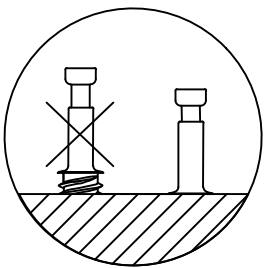
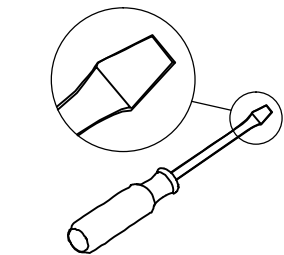
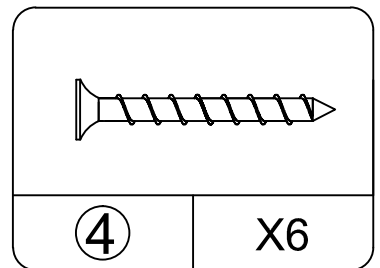
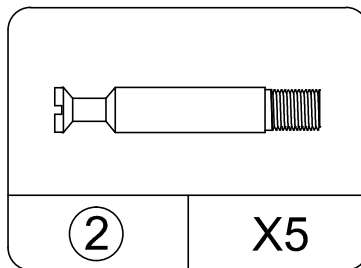
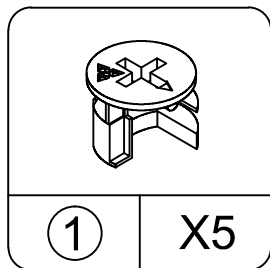
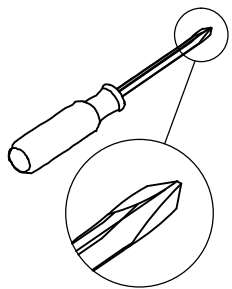


# STEP 1



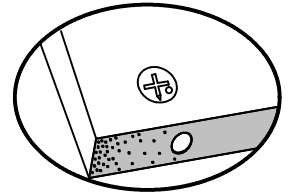
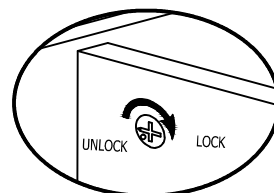
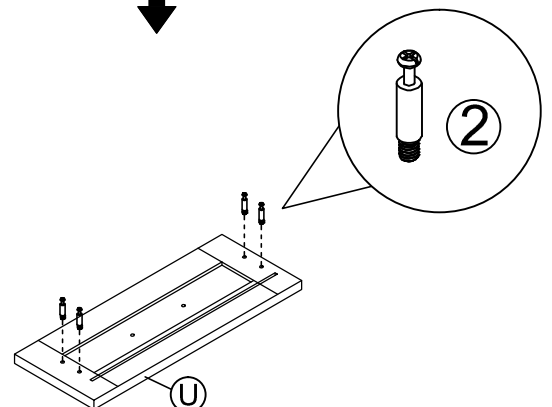
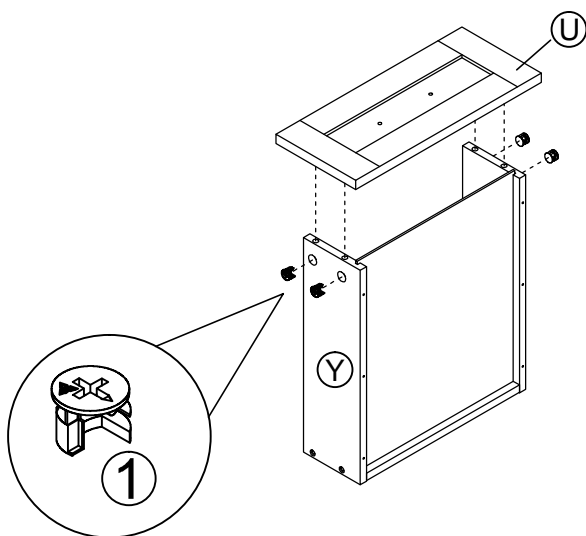
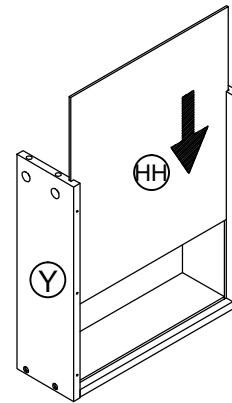
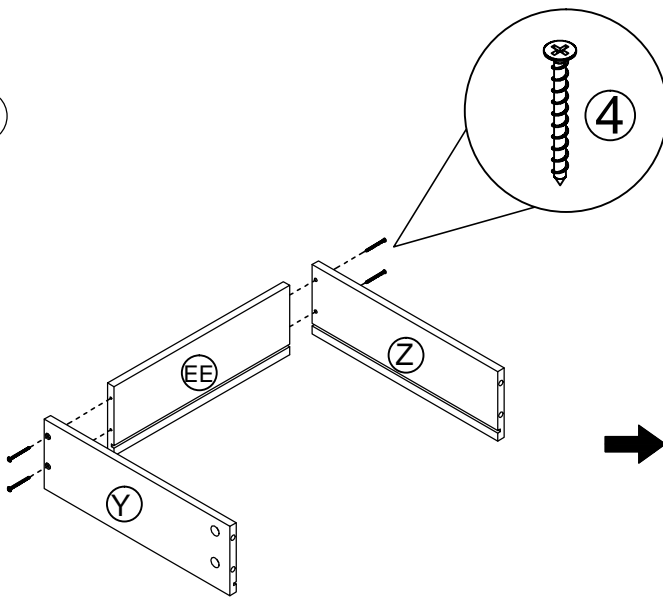
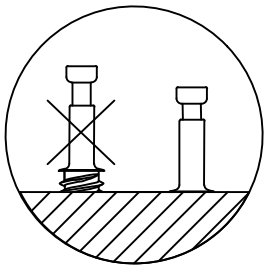
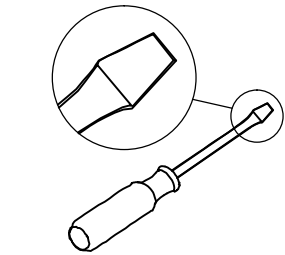
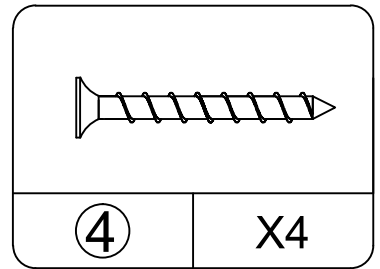
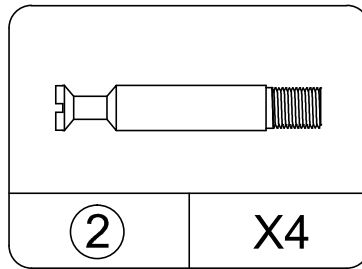
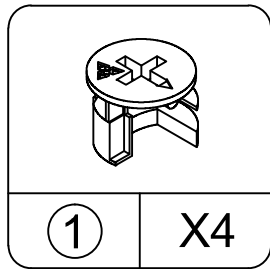
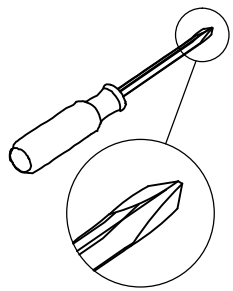
Proper orientation of CAM LOCK

# STEP 2



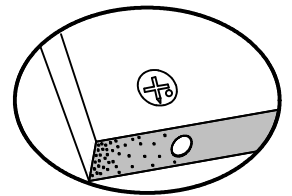
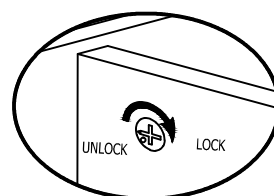
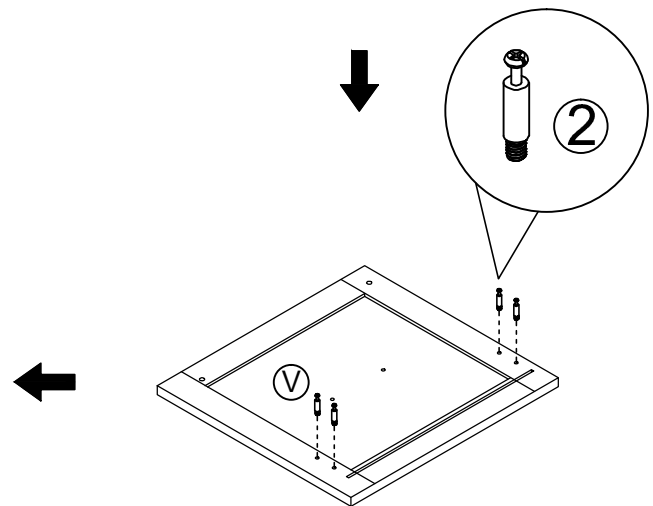
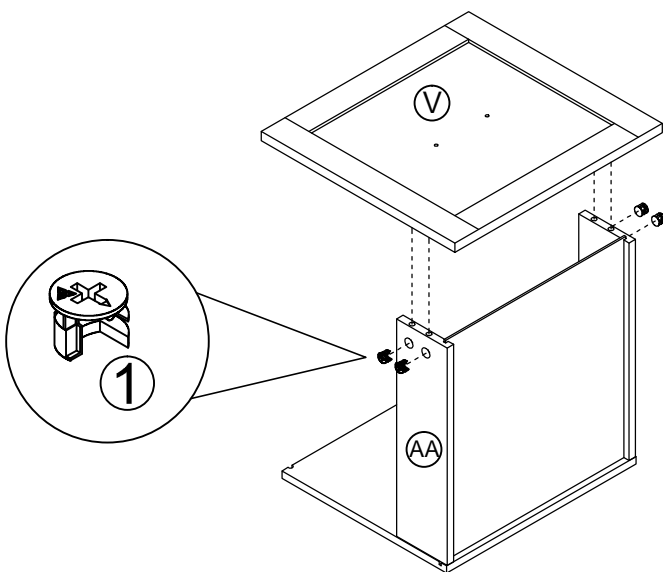
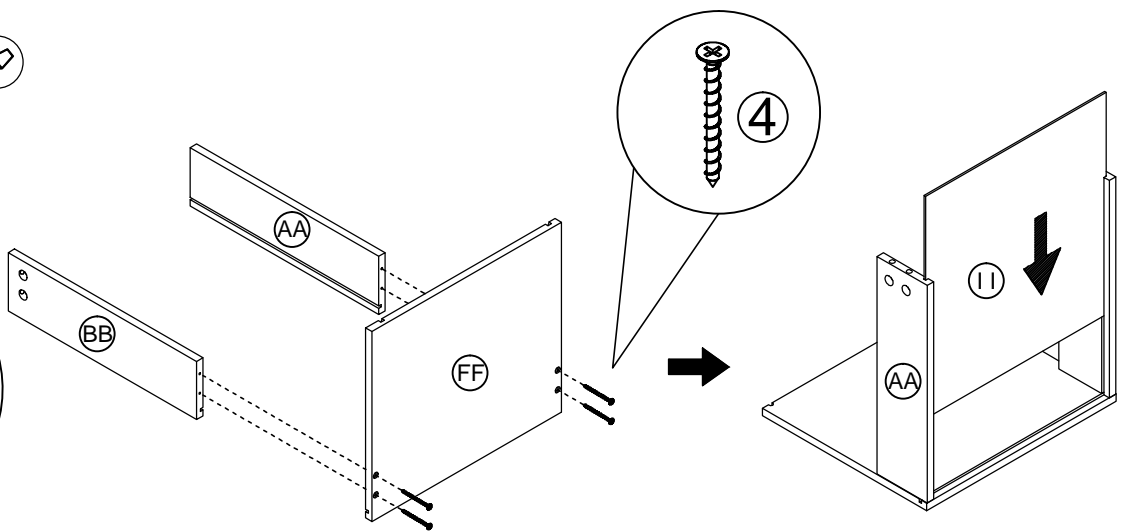
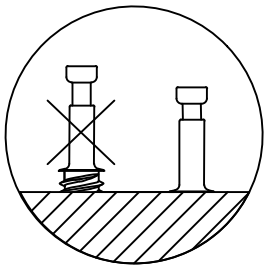
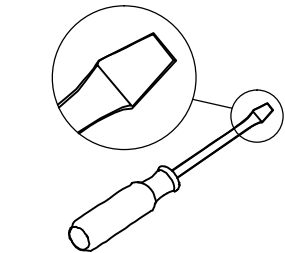
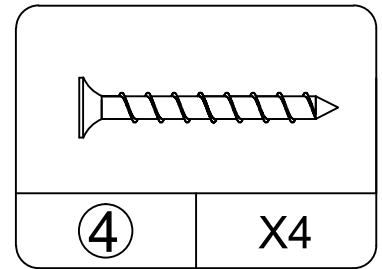
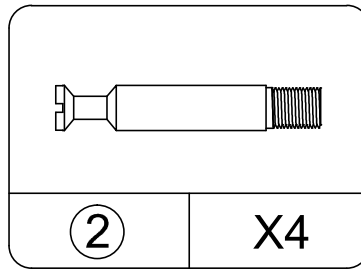
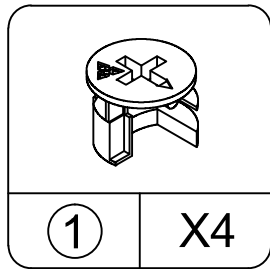
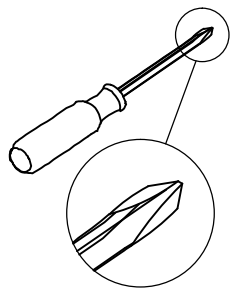
Proper orientation of CAM LOCK

# STEP 3



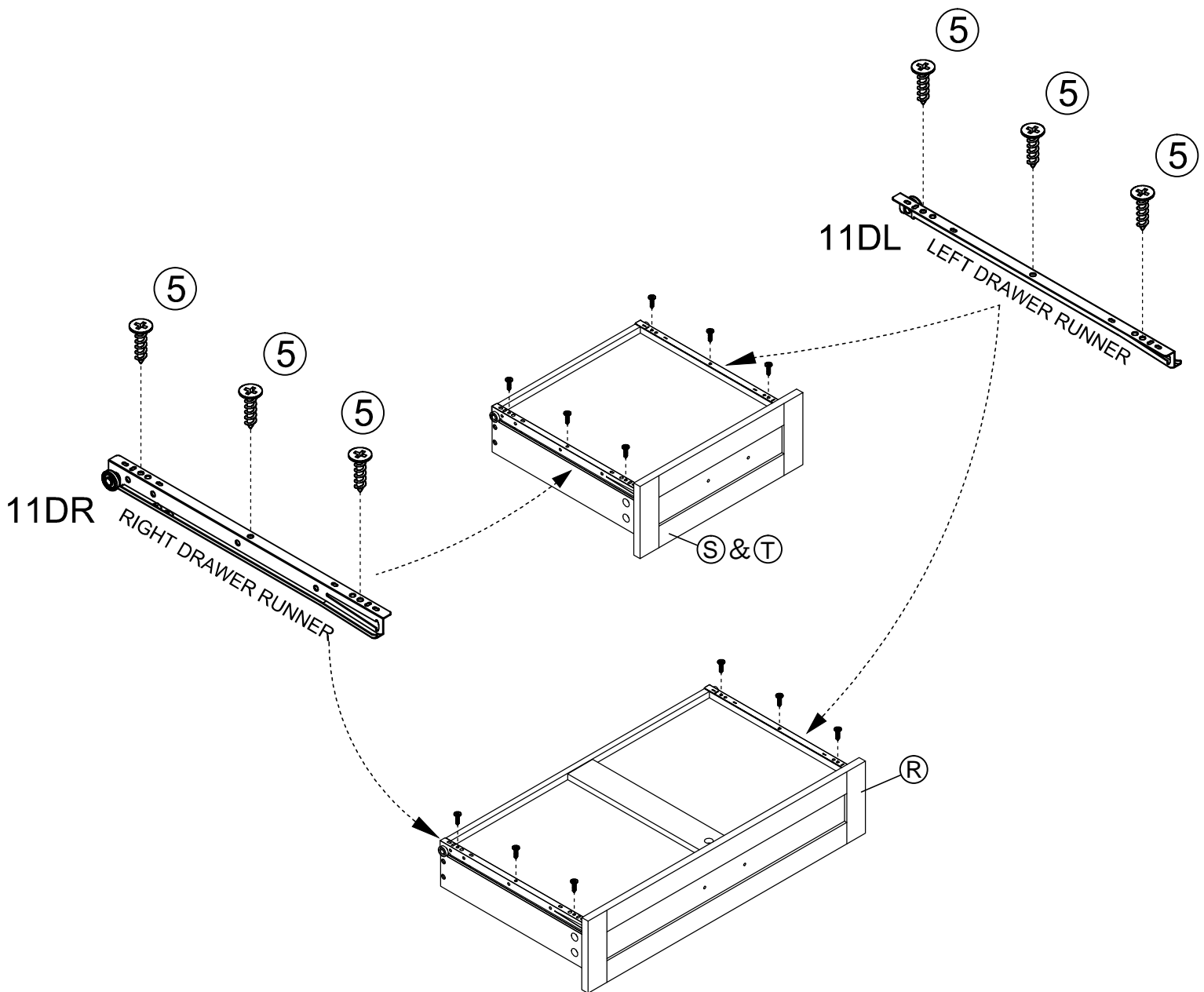
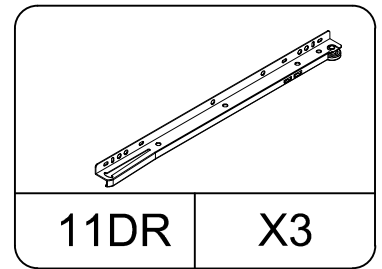
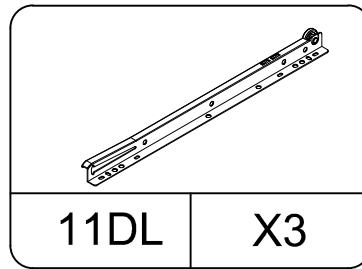
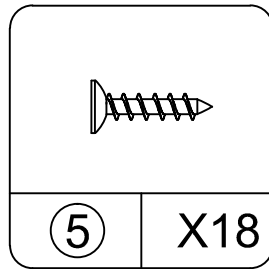
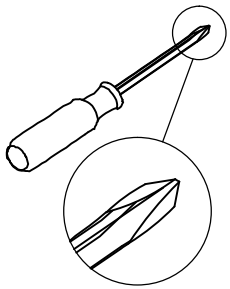
Proper orientation of CAM LOCK

# STEP 4

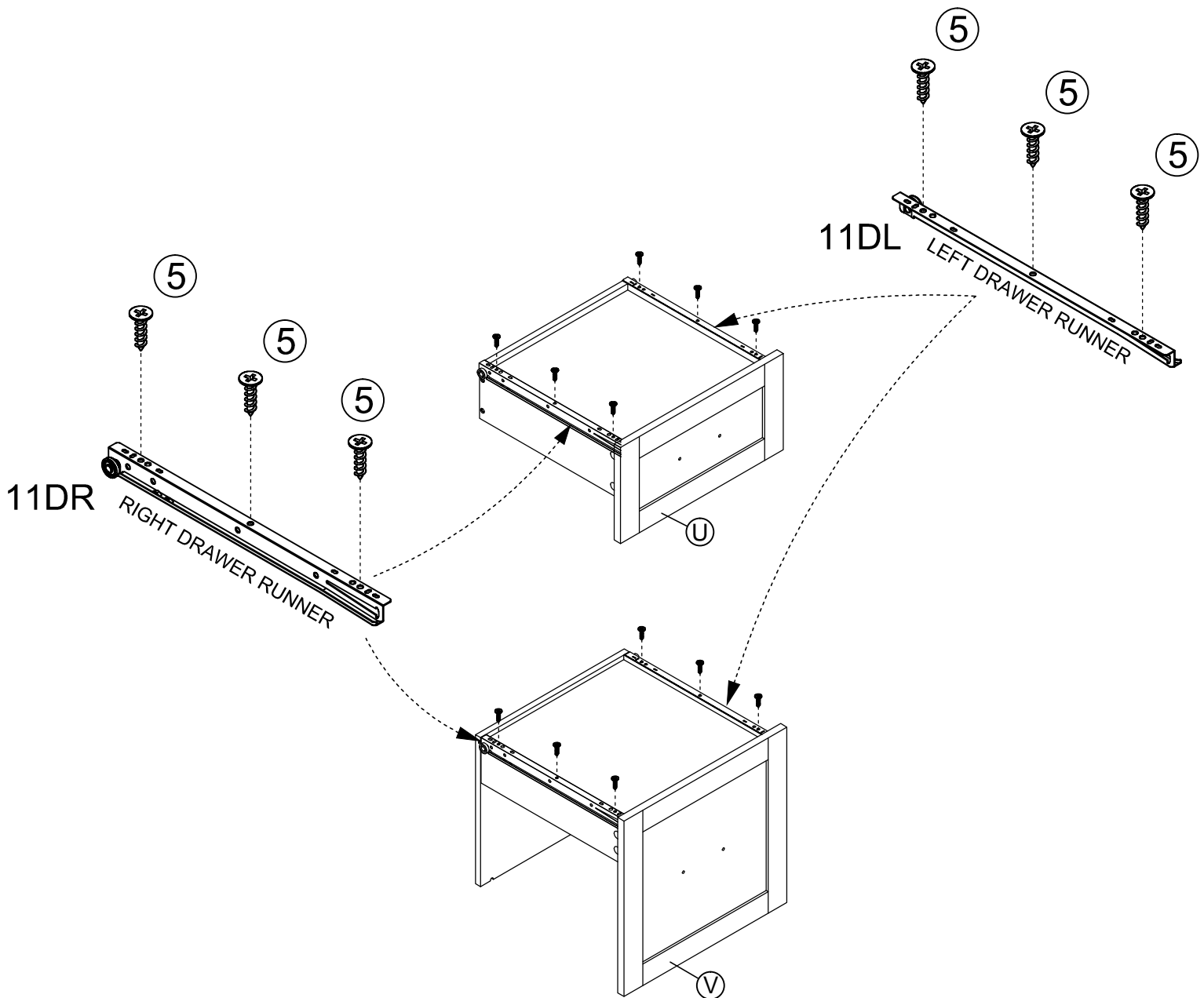
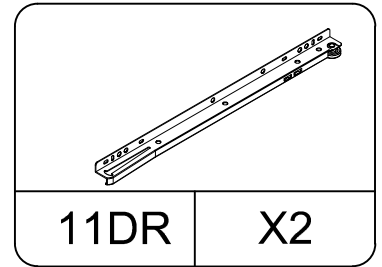
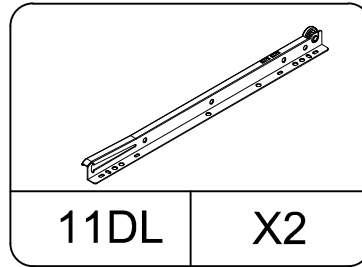
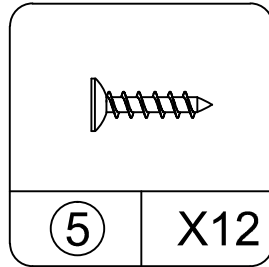
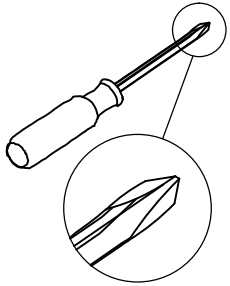


Proper orientation of CAM LOCK

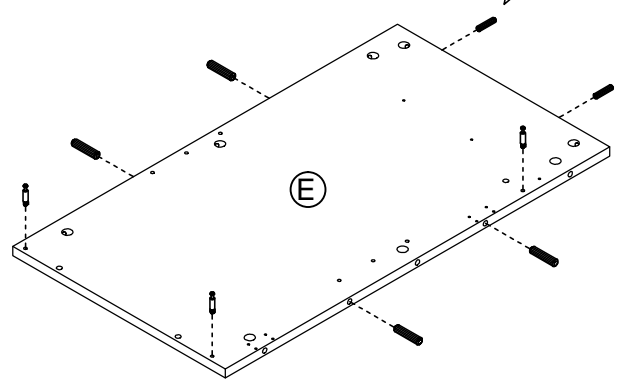
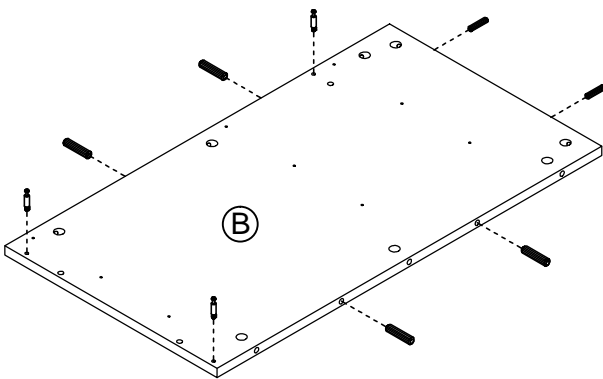
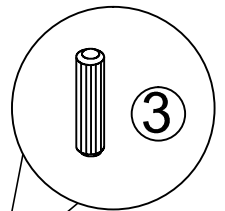
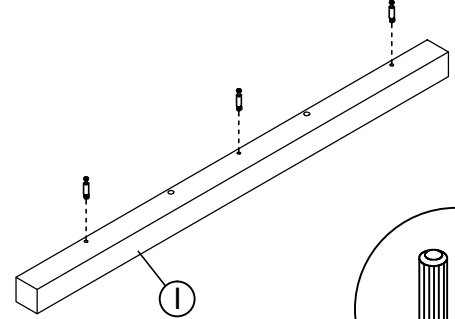
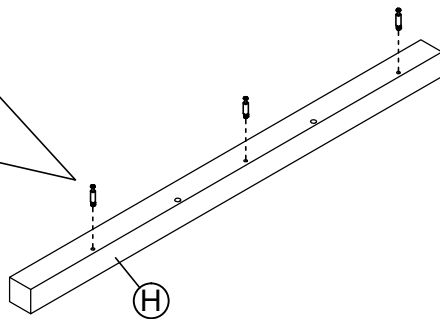
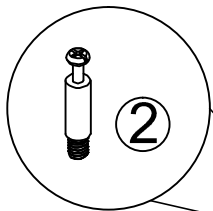
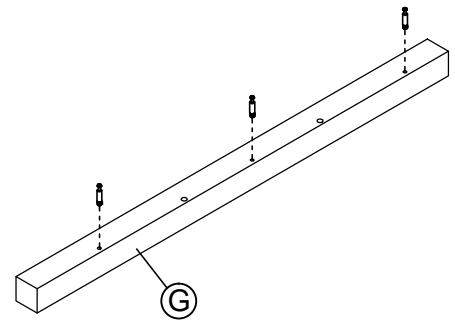
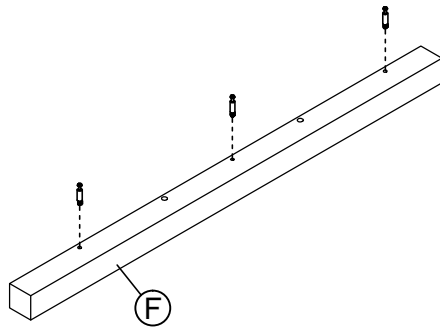
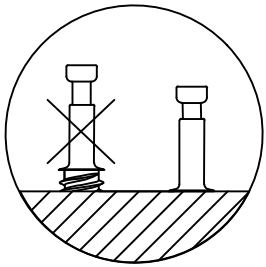
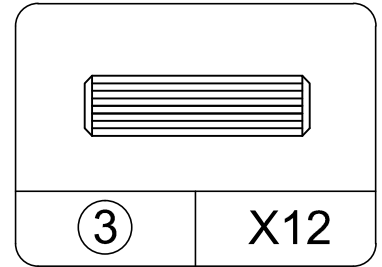
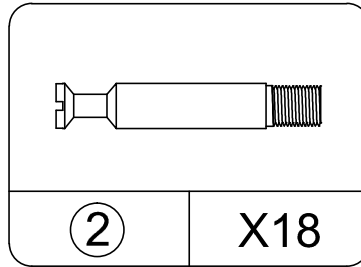
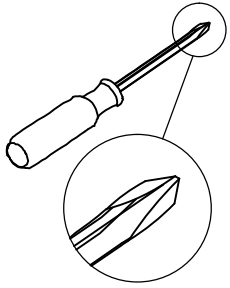
# STEP 5



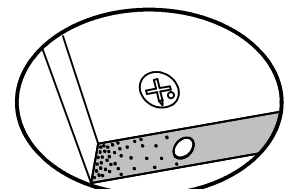
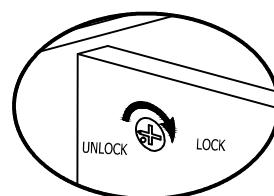
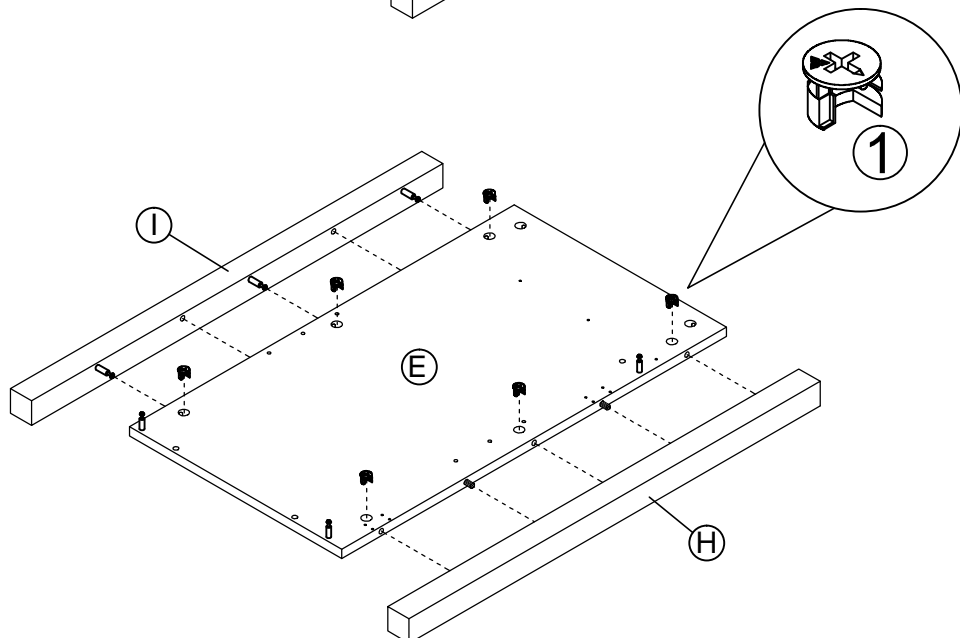
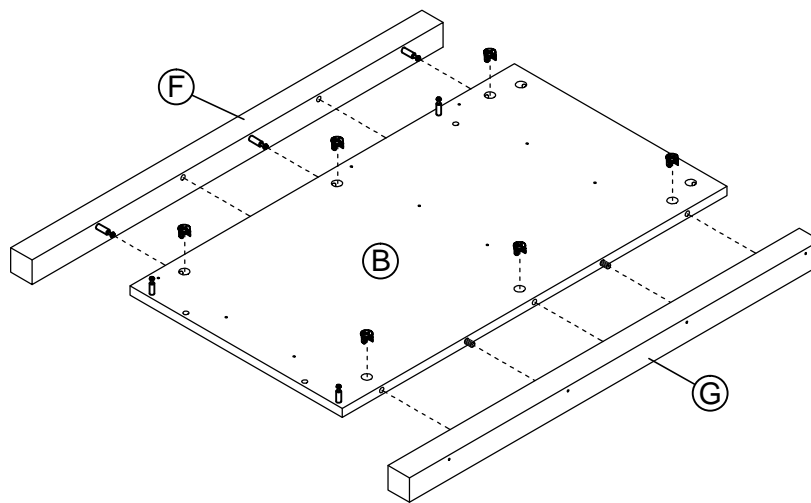
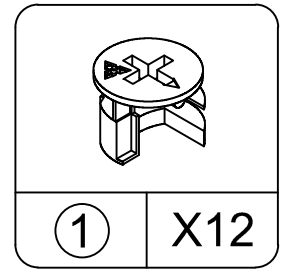
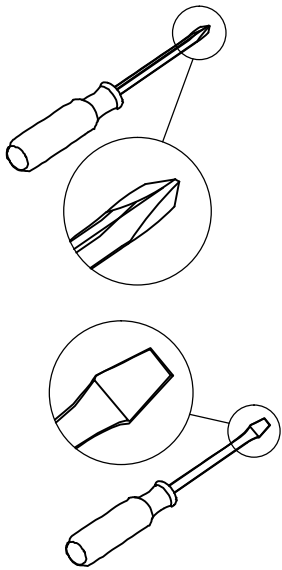
# STEP 6



# STEP 7

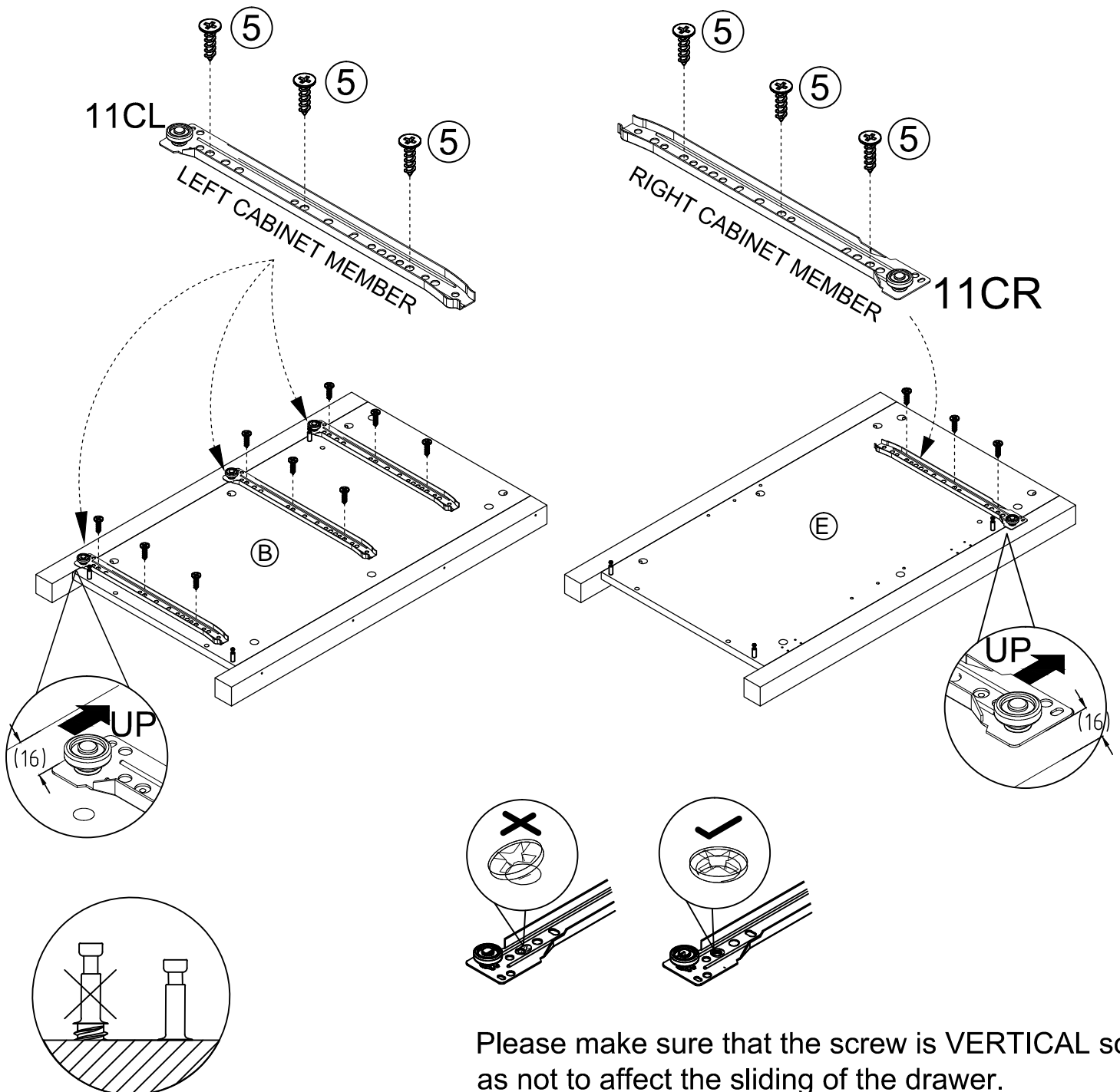
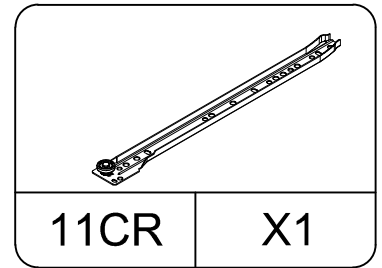
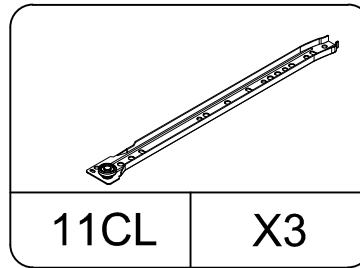
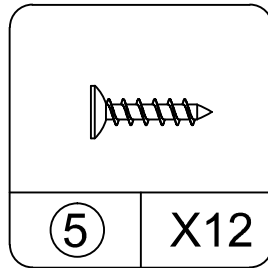
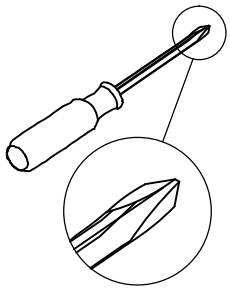


# STEP 8



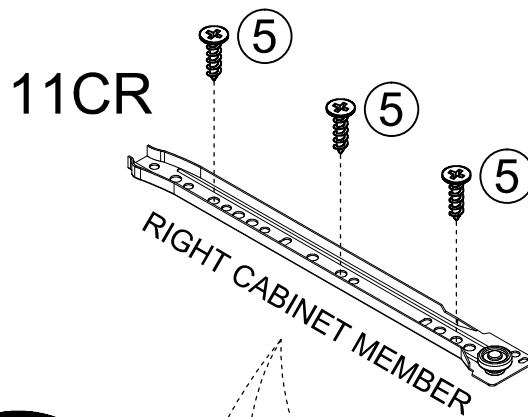
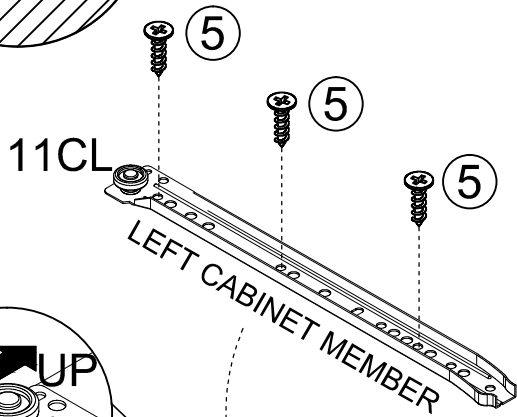
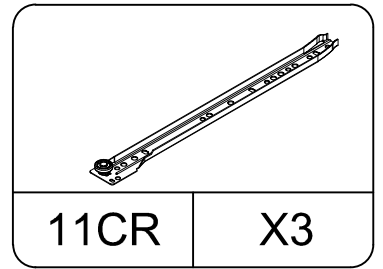
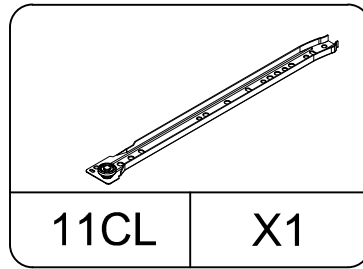
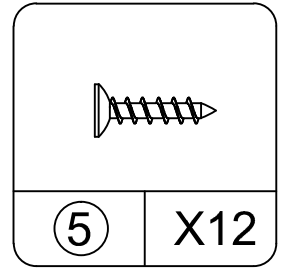
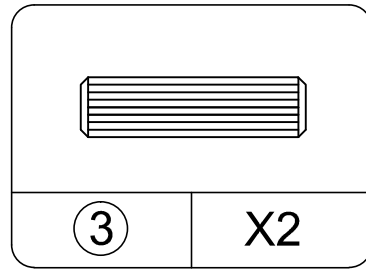
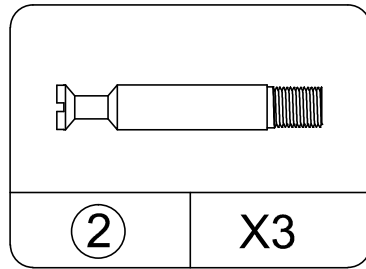
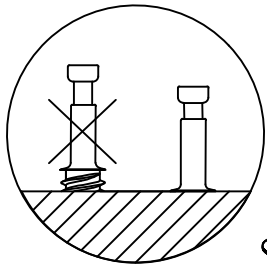
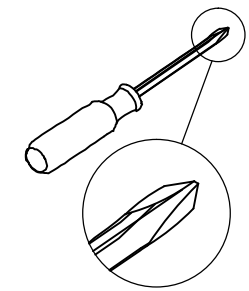
Proper orientation of CAM LOCK

# STEP 9

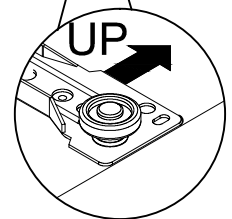
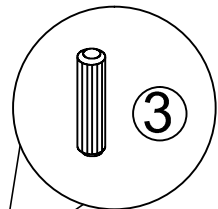
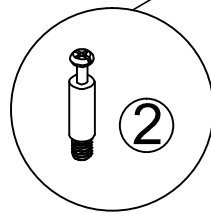
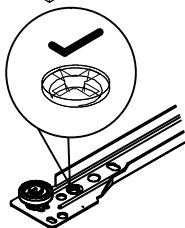
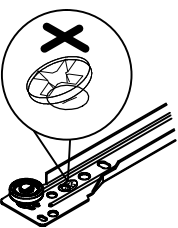
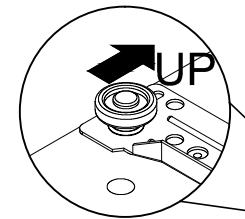


Please make sure that the screw is VERTICAL so as not to affect the sliding of the drawer.

# STEP 10

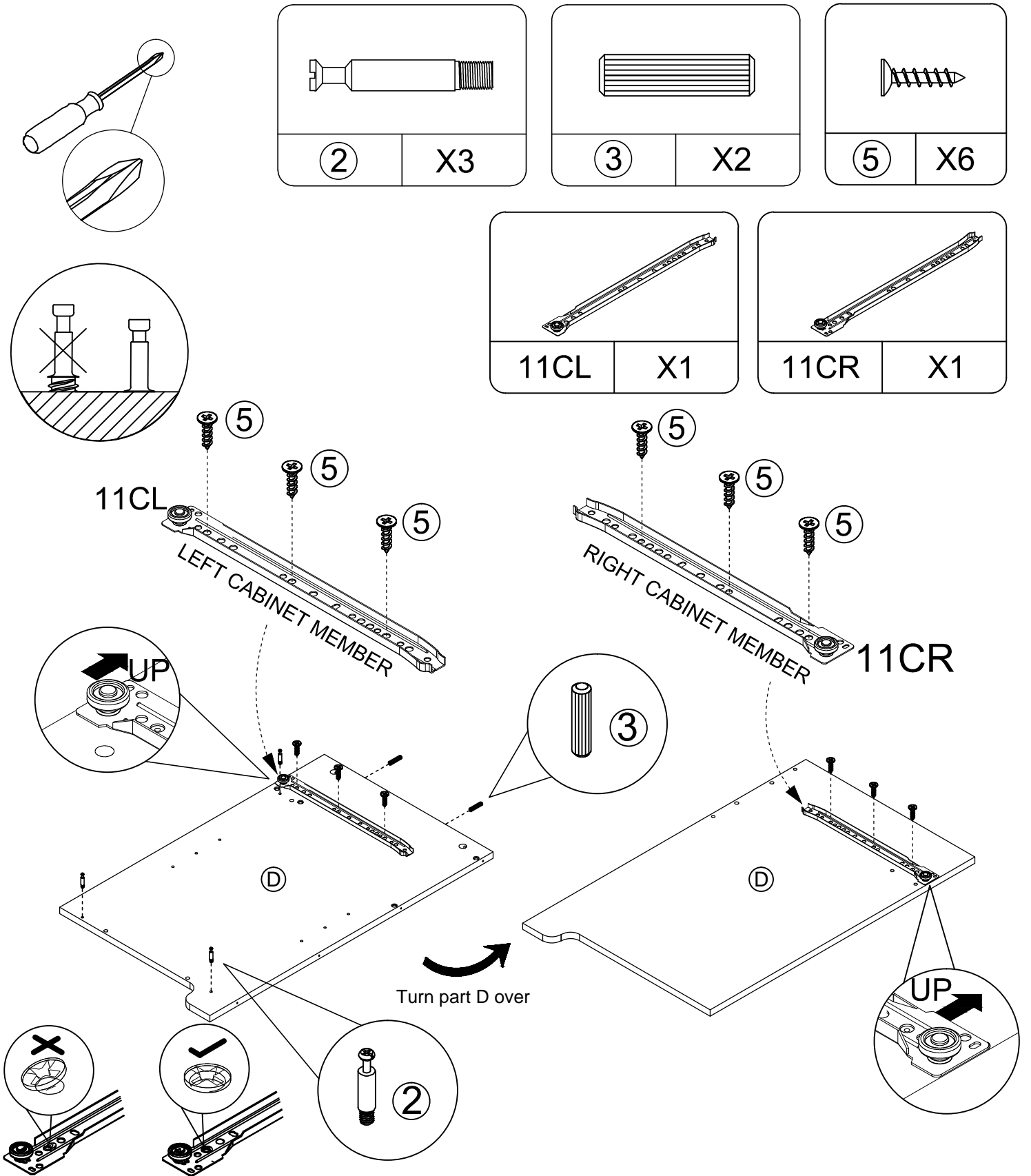


Turn part C over



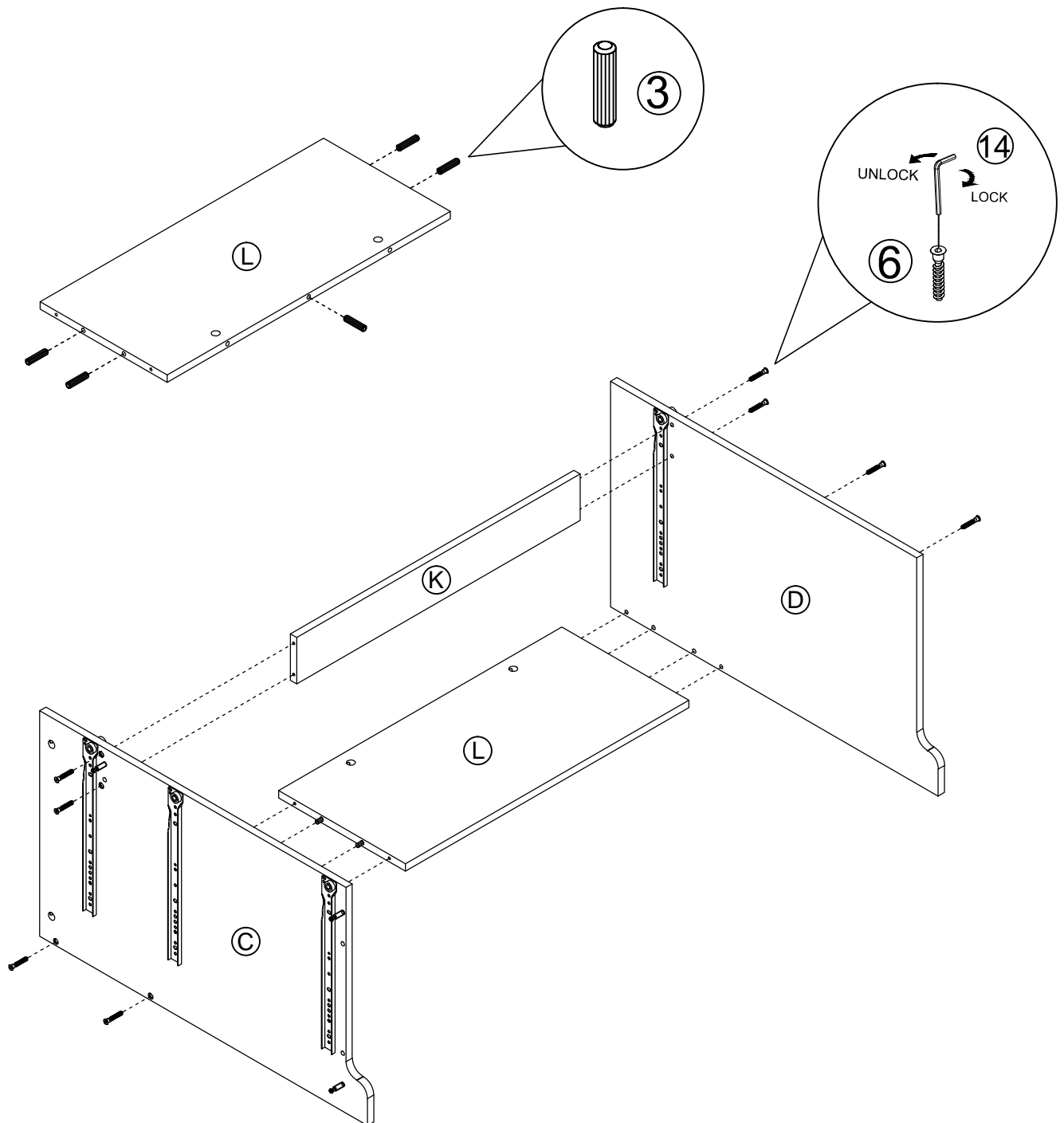
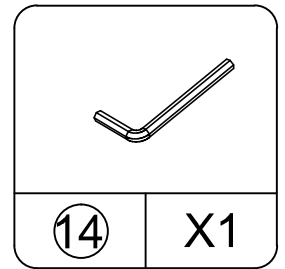
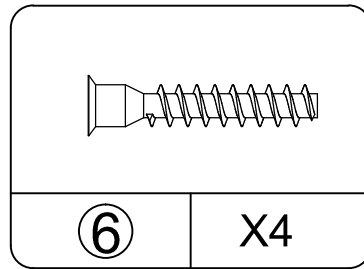
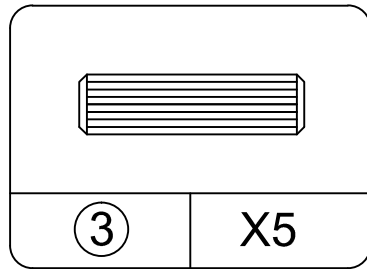
Please make sure that the screw is VERTICAL so as not to affect the sliding of the drawer.

# STEP 11



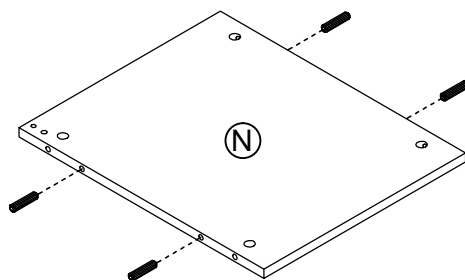
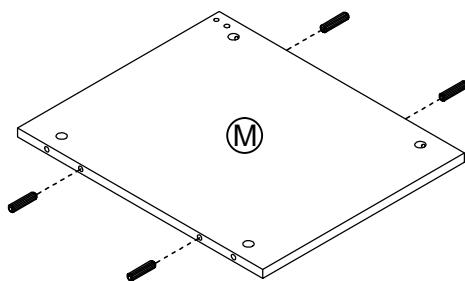
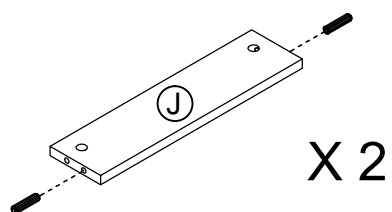
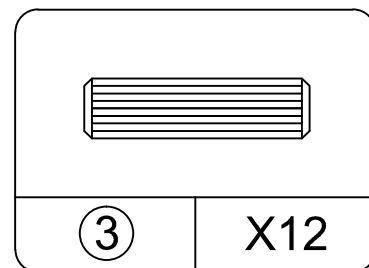
Please make sure that the screw is VERTICAL so as not to affect the sliding of the drawer.

# STEP 12

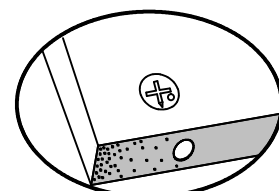
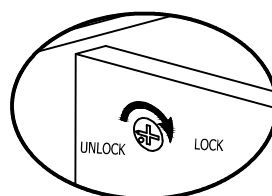
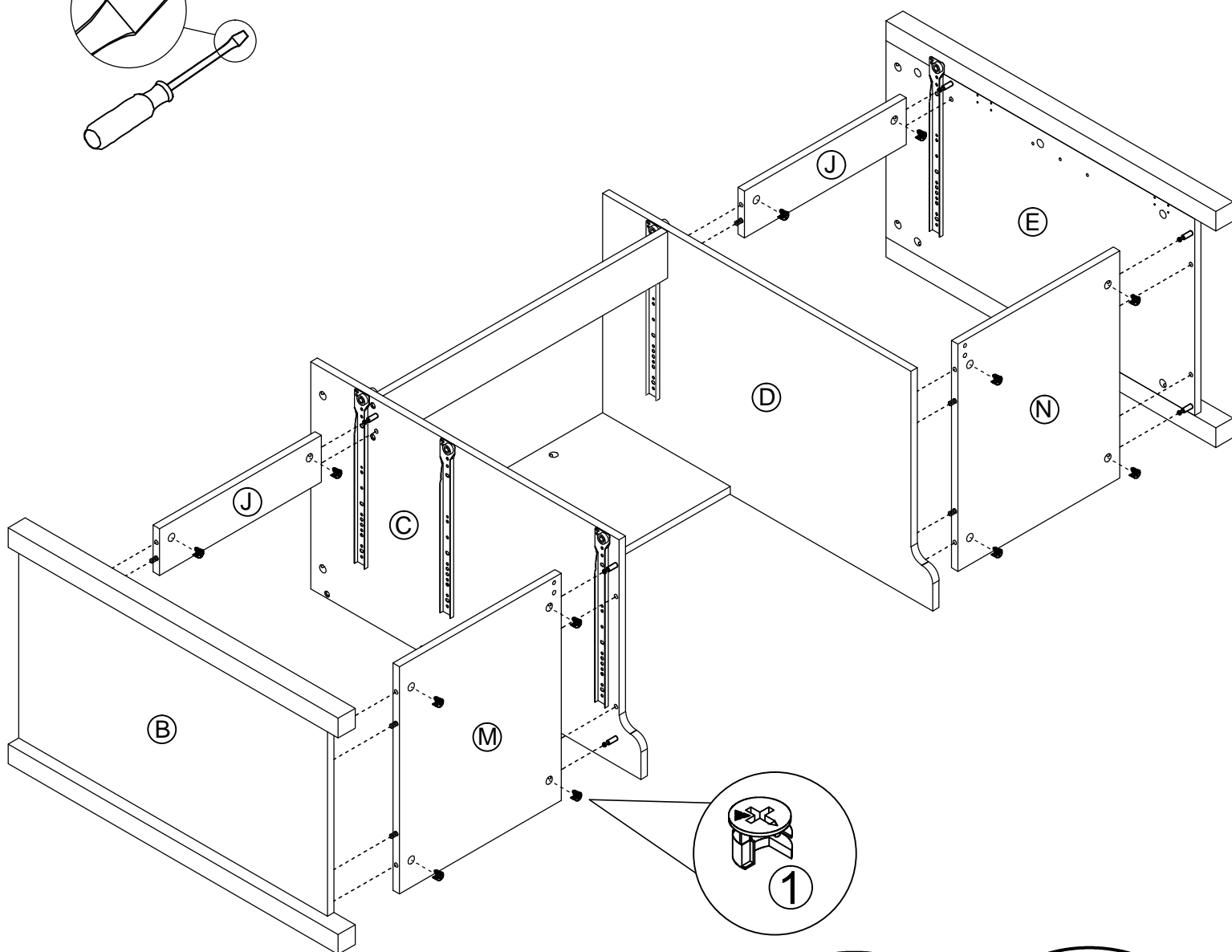
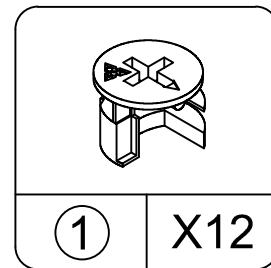
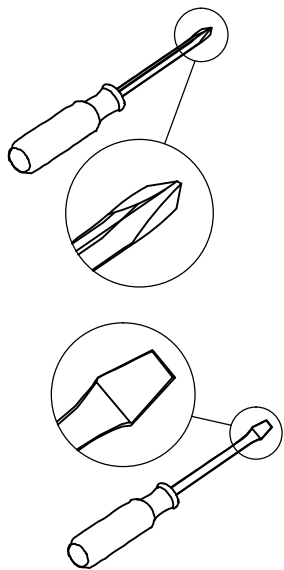


# STEP 13

---

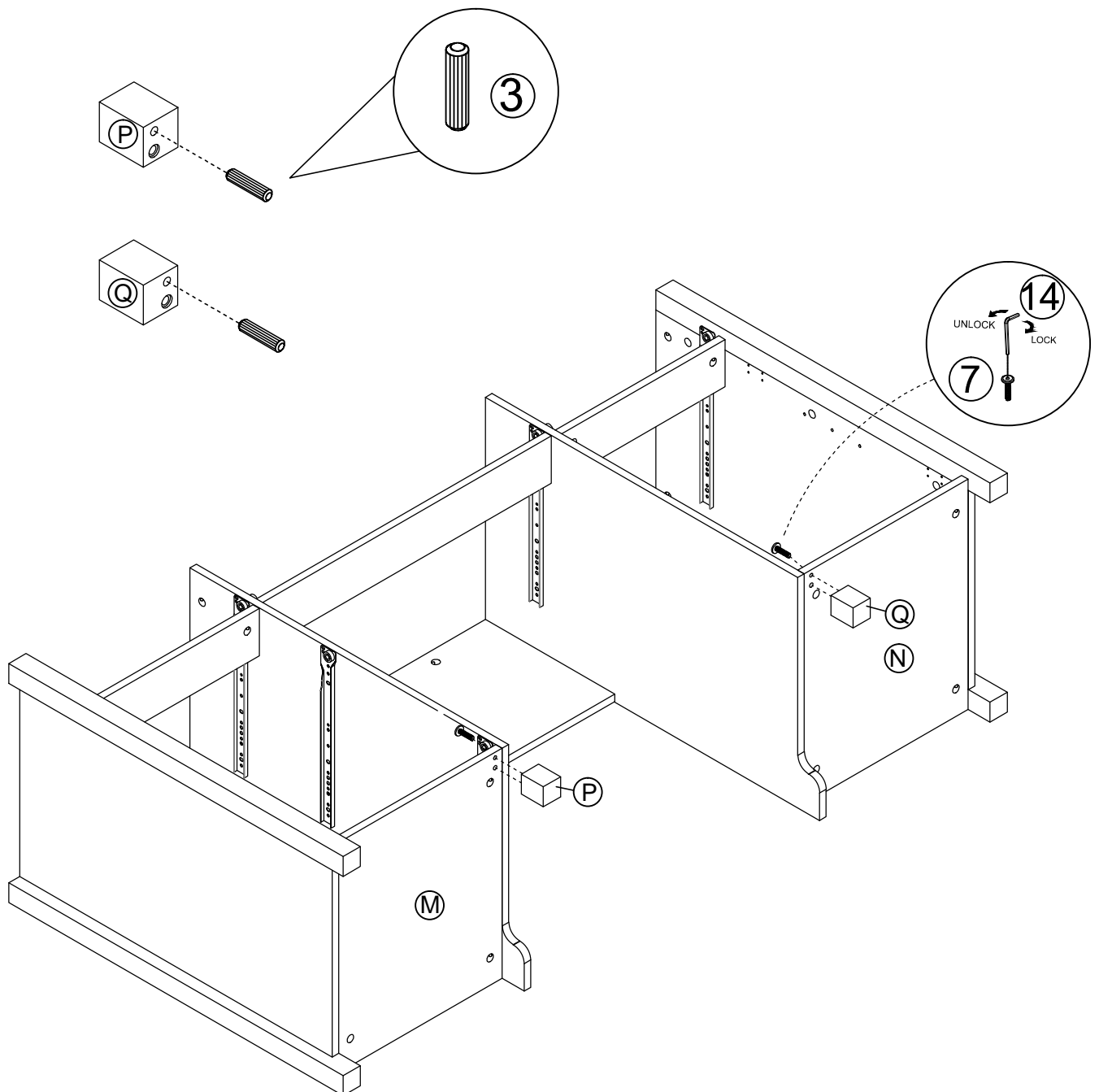
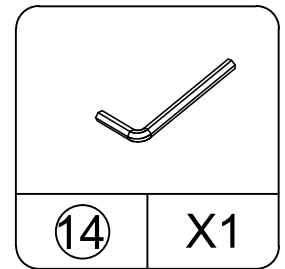
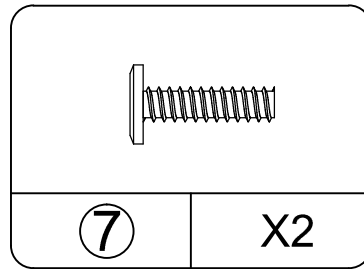
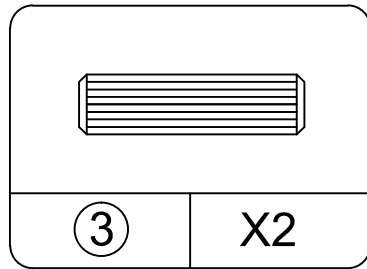


# STEP 14

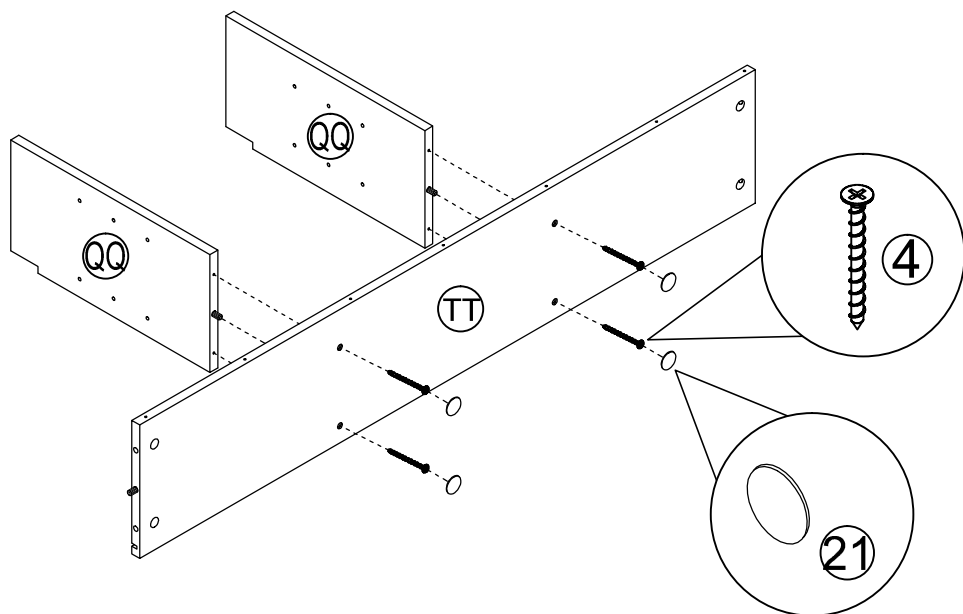
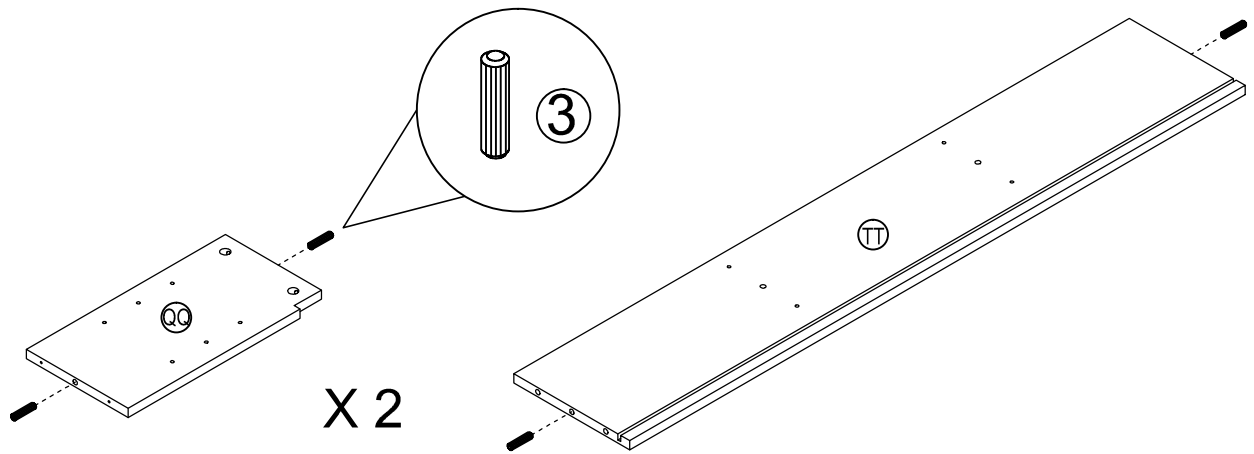
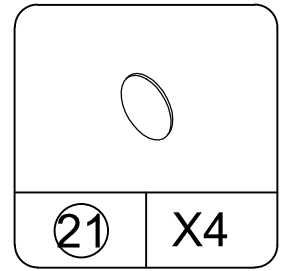
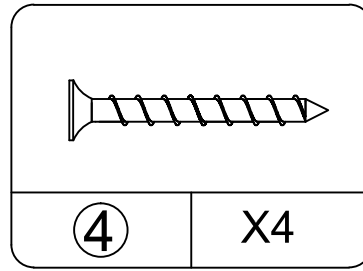
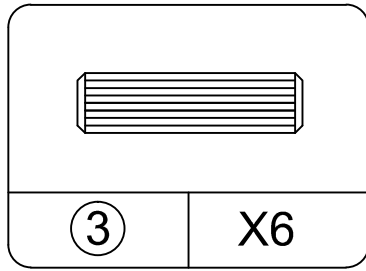
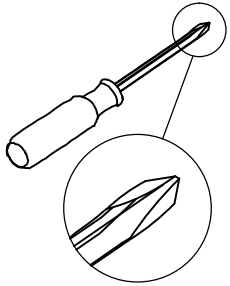


Proper orientation of CAM LOCK

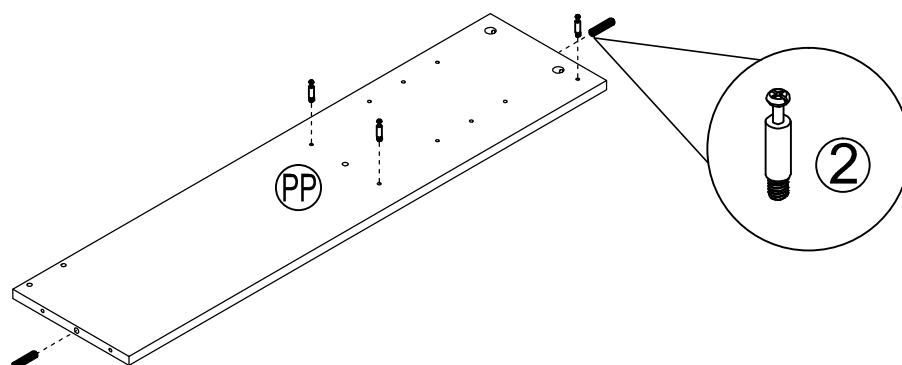
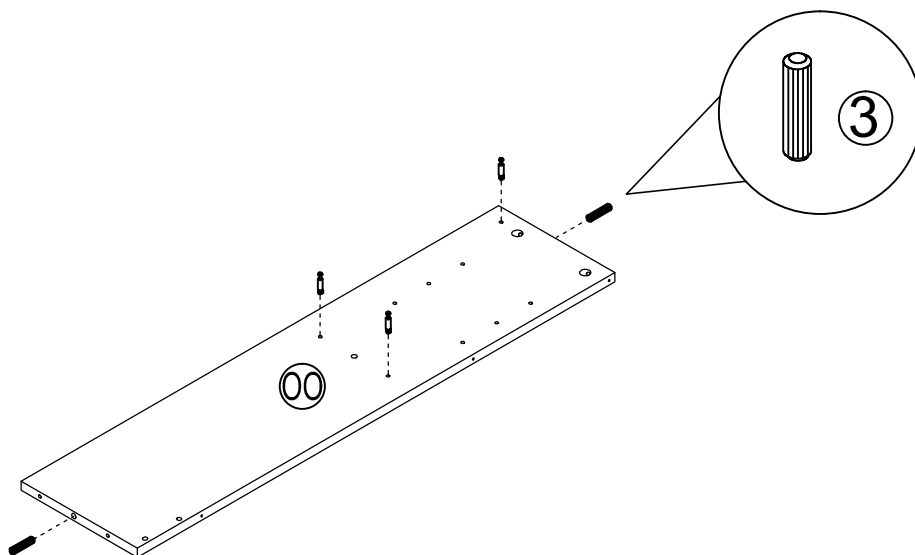
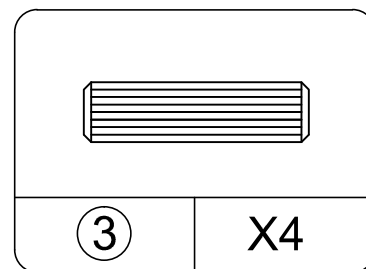
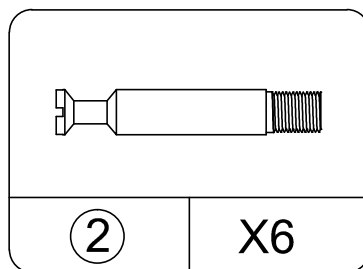
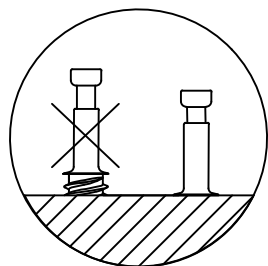
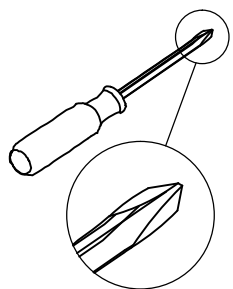
# STEP 15



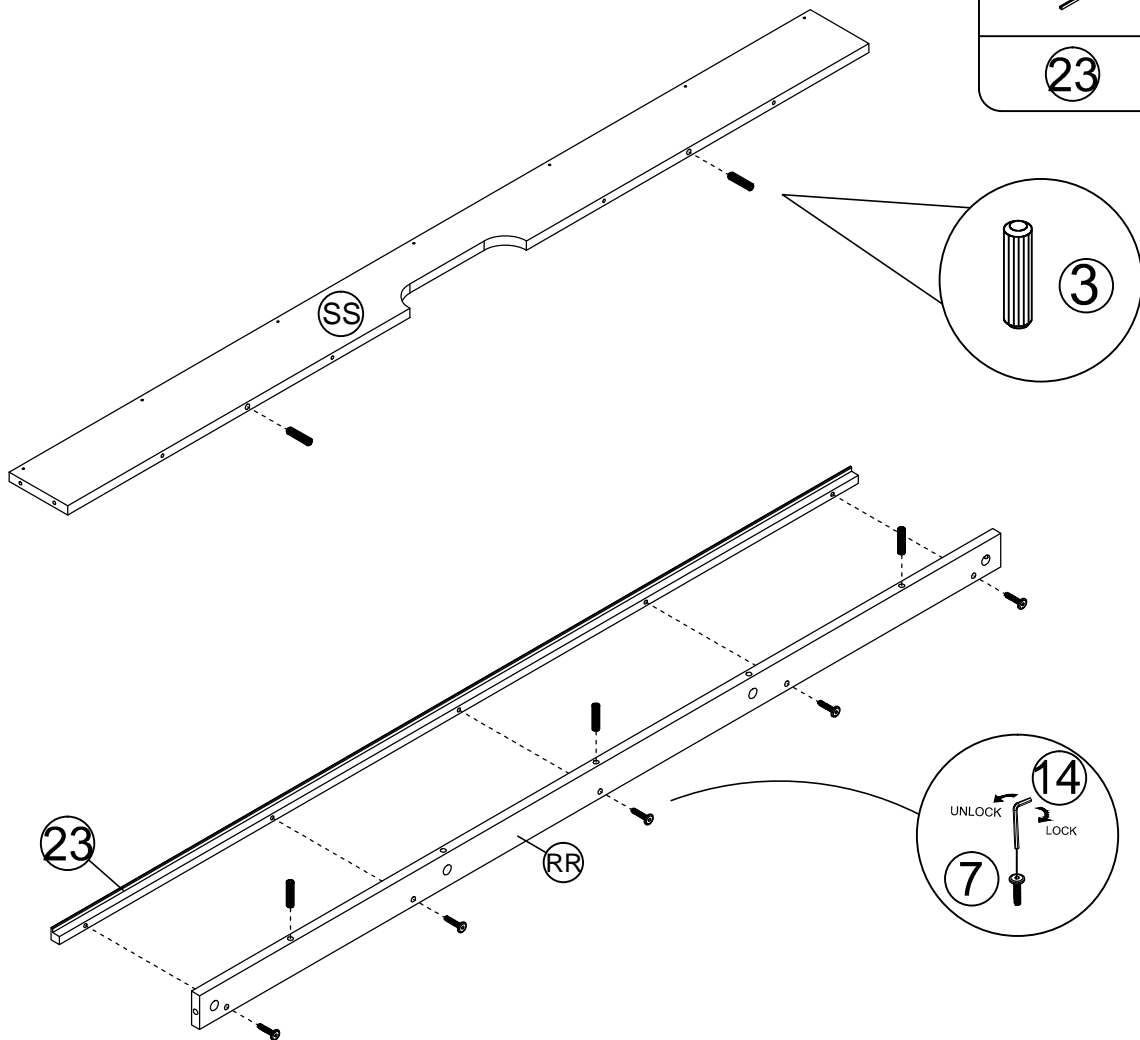
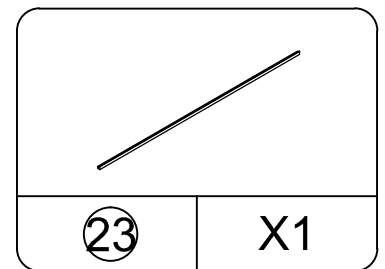
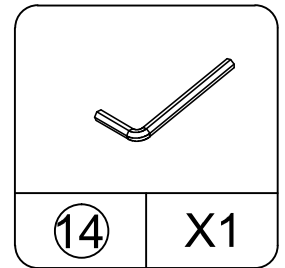
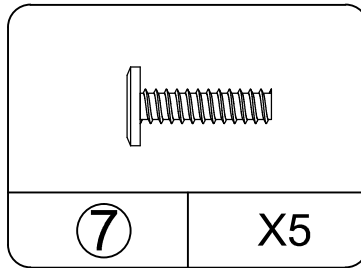
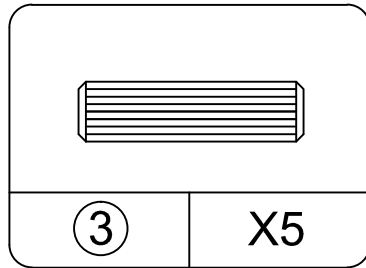
# STEP 16




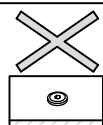

# STEP 17



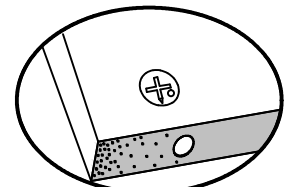
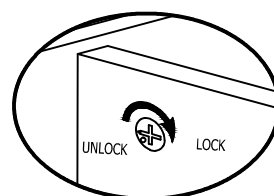
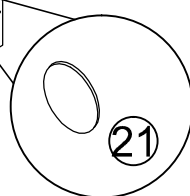
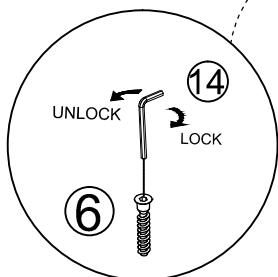
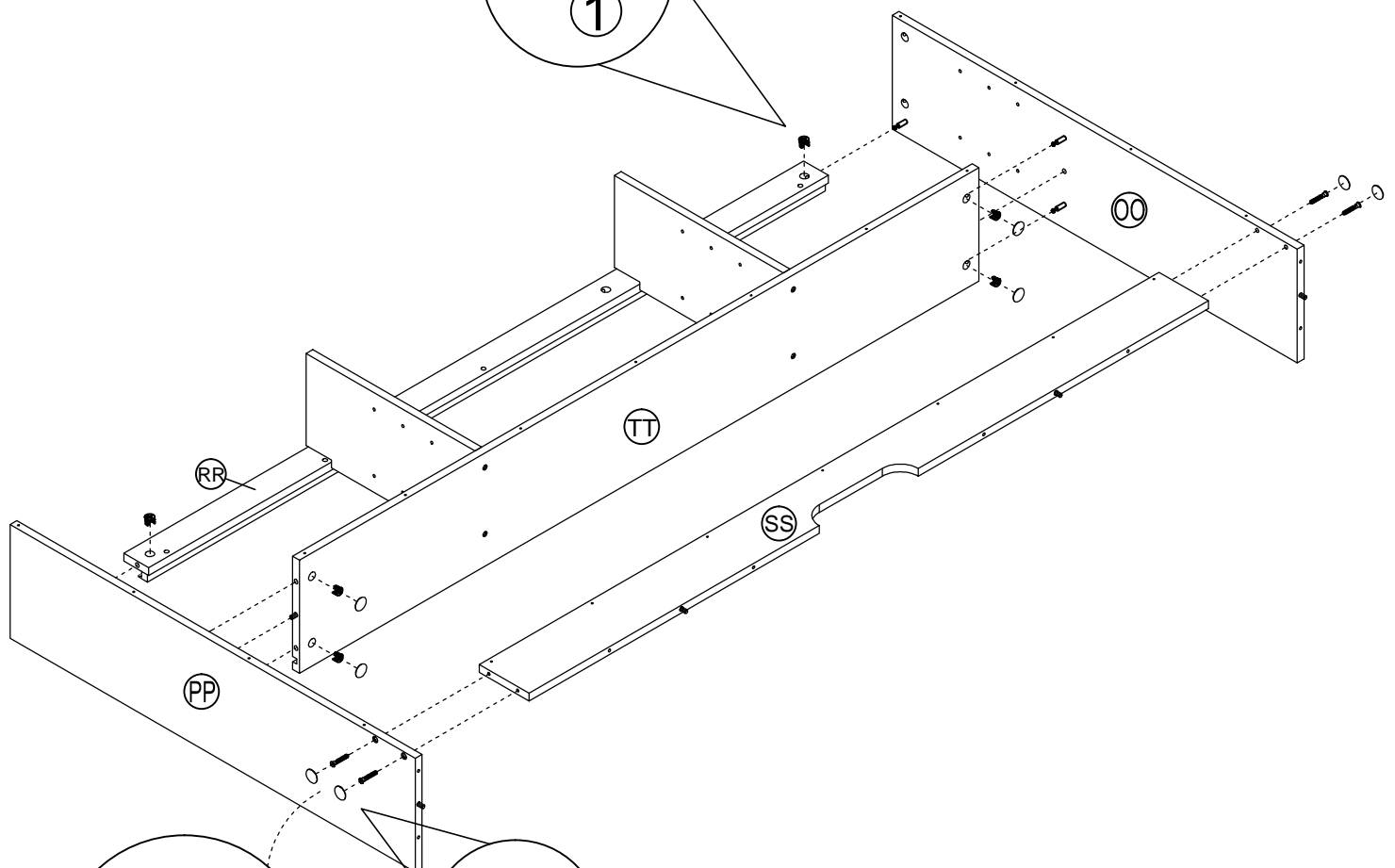
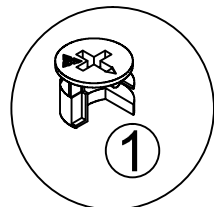
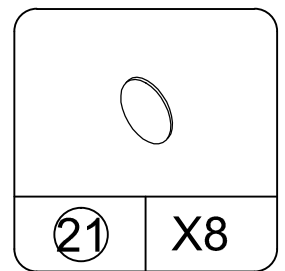
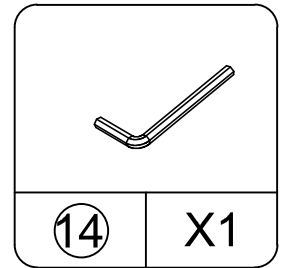
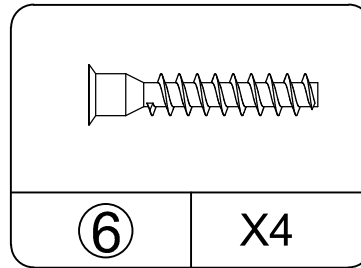
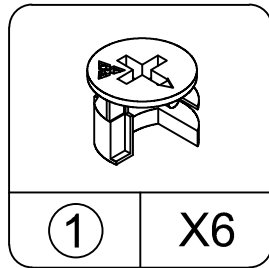
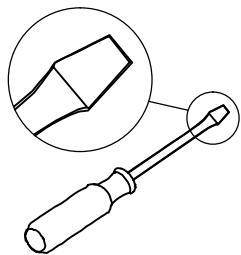
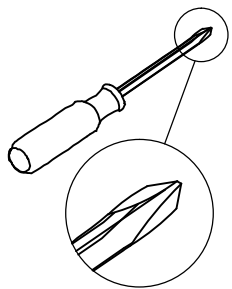
# STEP 18



 Please tighten the screws to 80% first, and tighten all screws 100% after all parts are assembled.

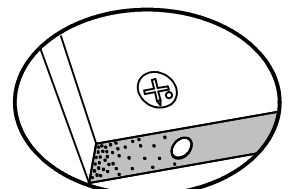
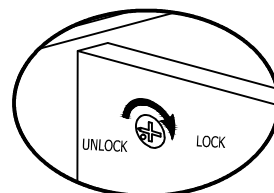
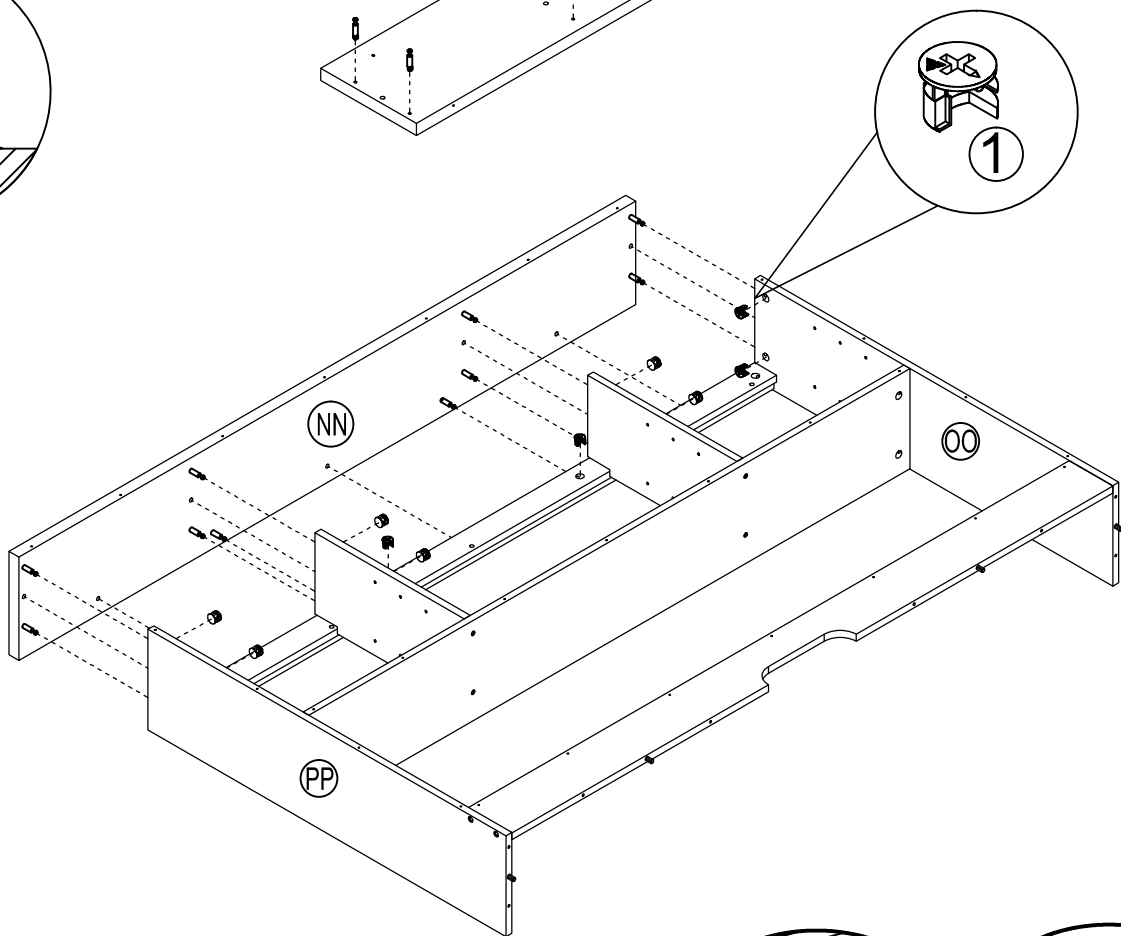
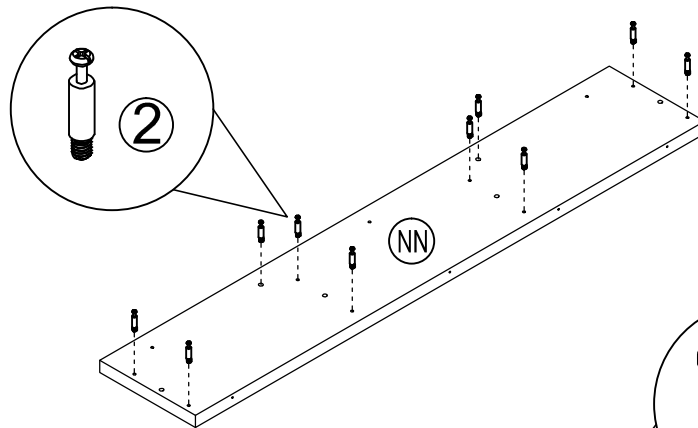
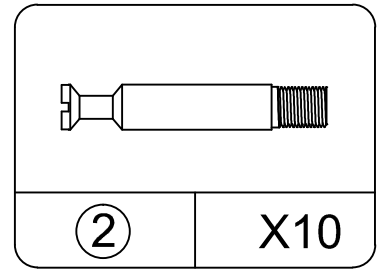
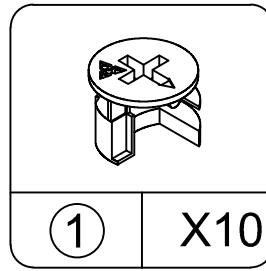
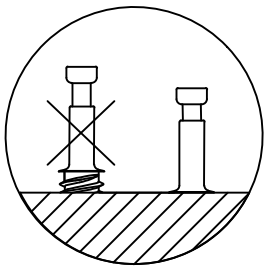
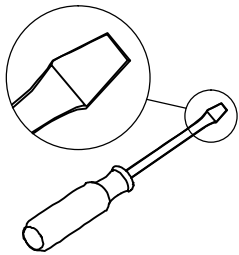
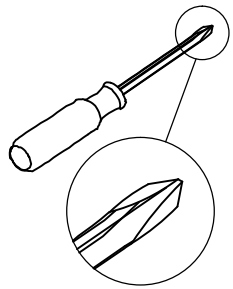
	
---	---

# STEP 19



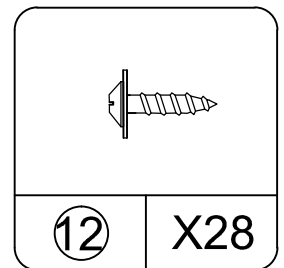
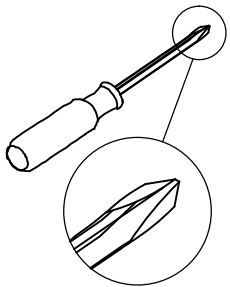
Proper orientation of CAM LOCK

# STEP20

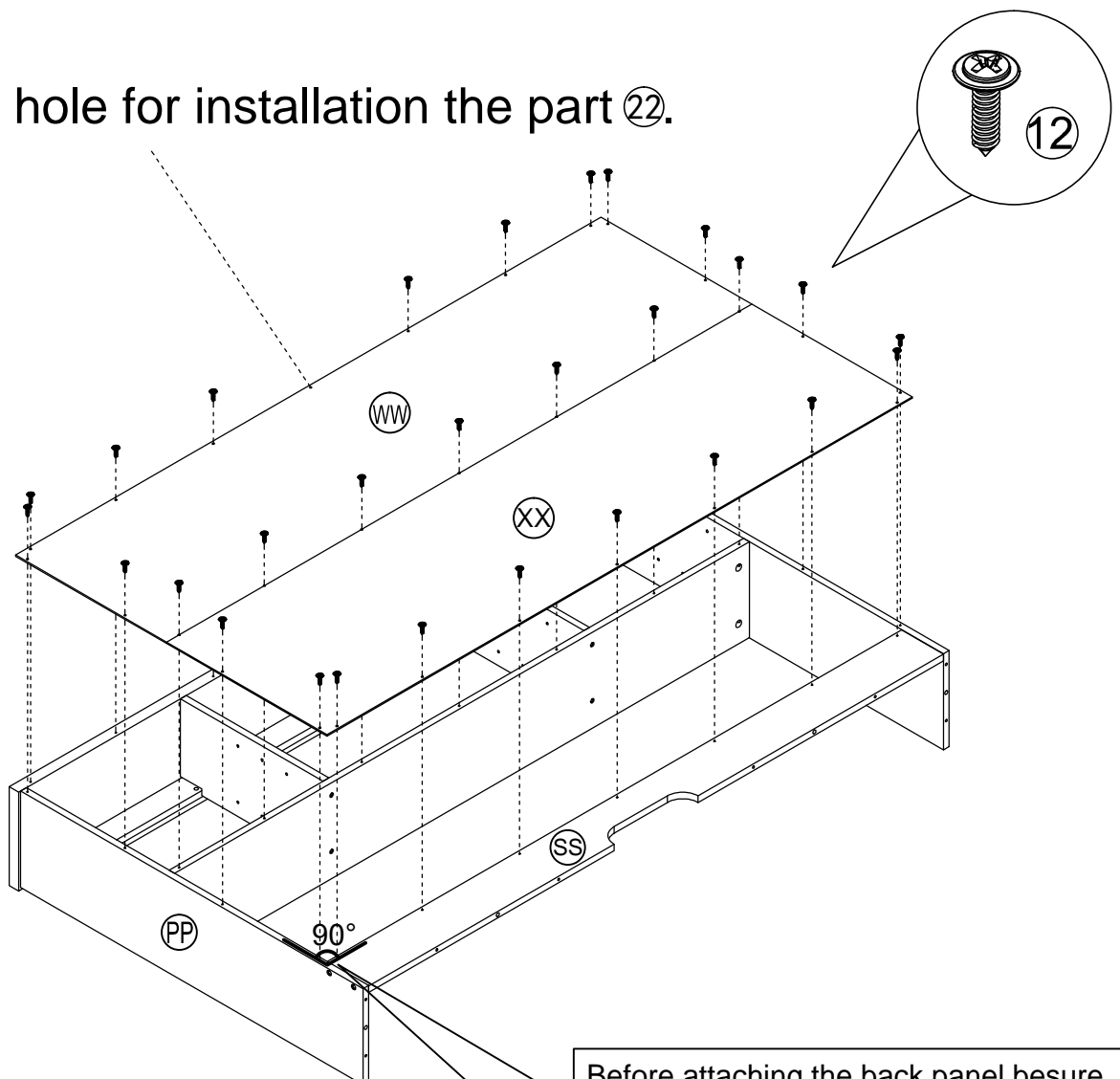


Proper orientation of CAM LOCK

# STEP21

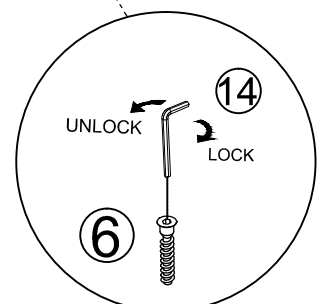
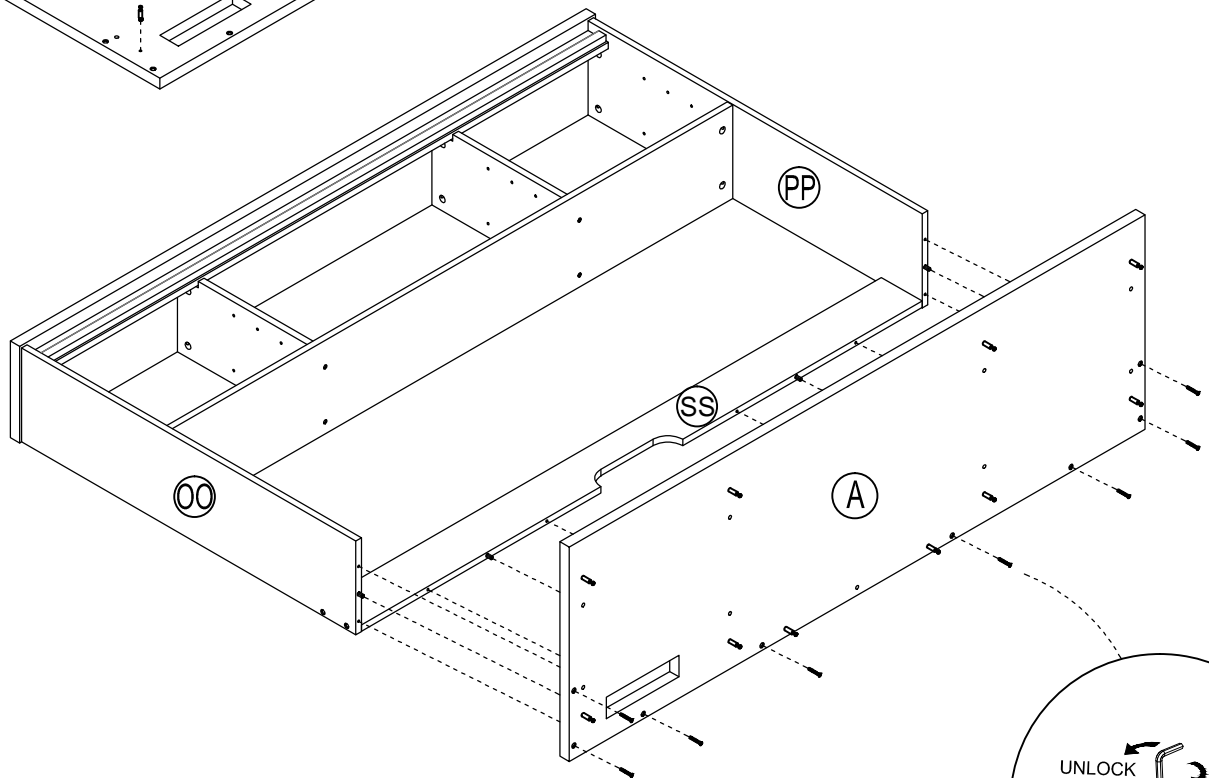
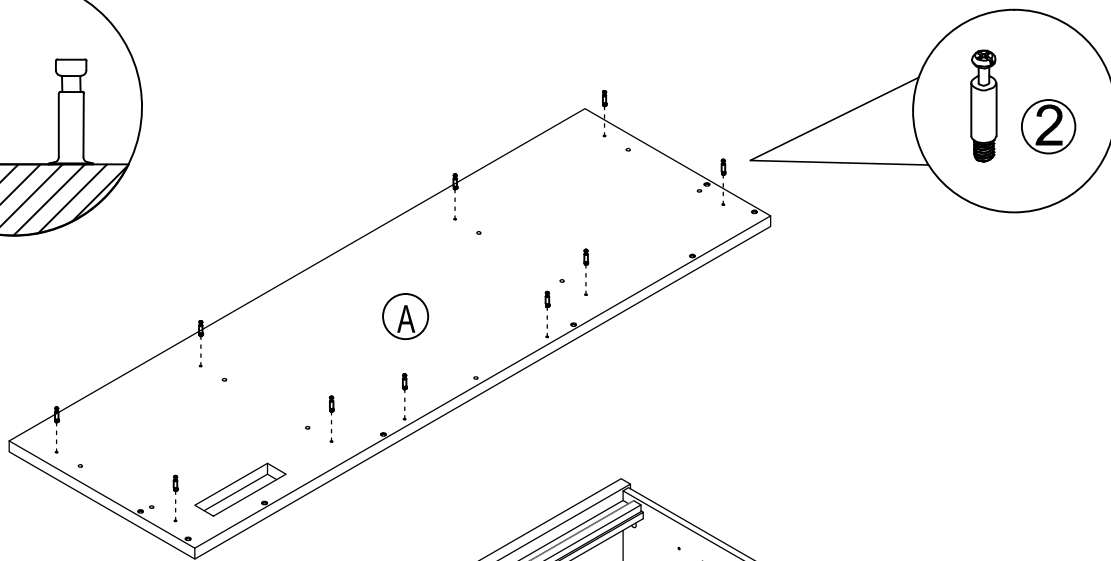
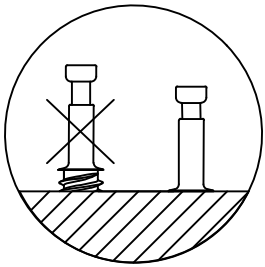
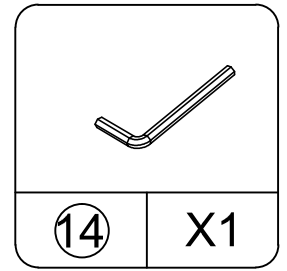
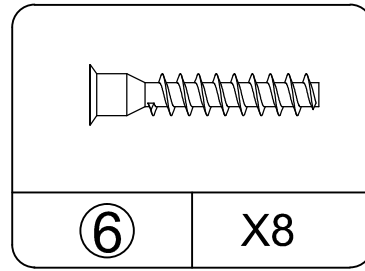
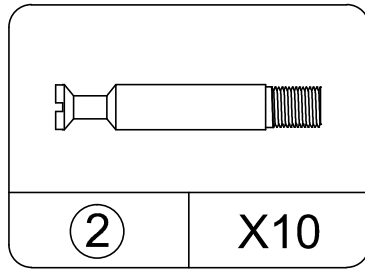
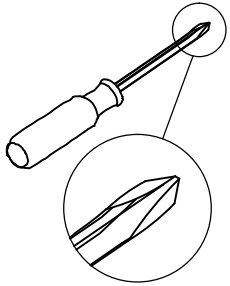


This hole for installation the part ⑫.

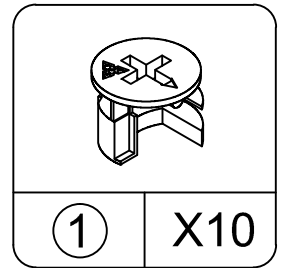
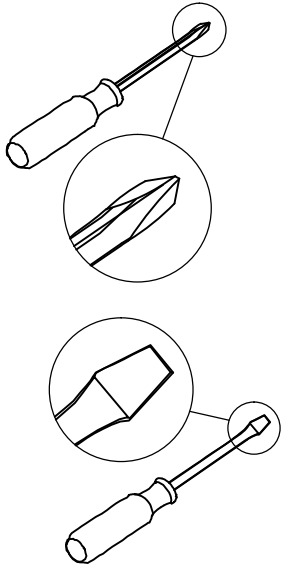


Before attaching the back panel, be sure that the unit is at 90°  
Avant d'attacher le panneau arrière, assurez-vous que l'unité est à 90°  
Antes de fijar el panel posterior, asegúrese de que la unidad esté a 90°

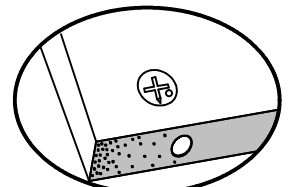
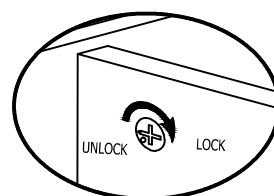
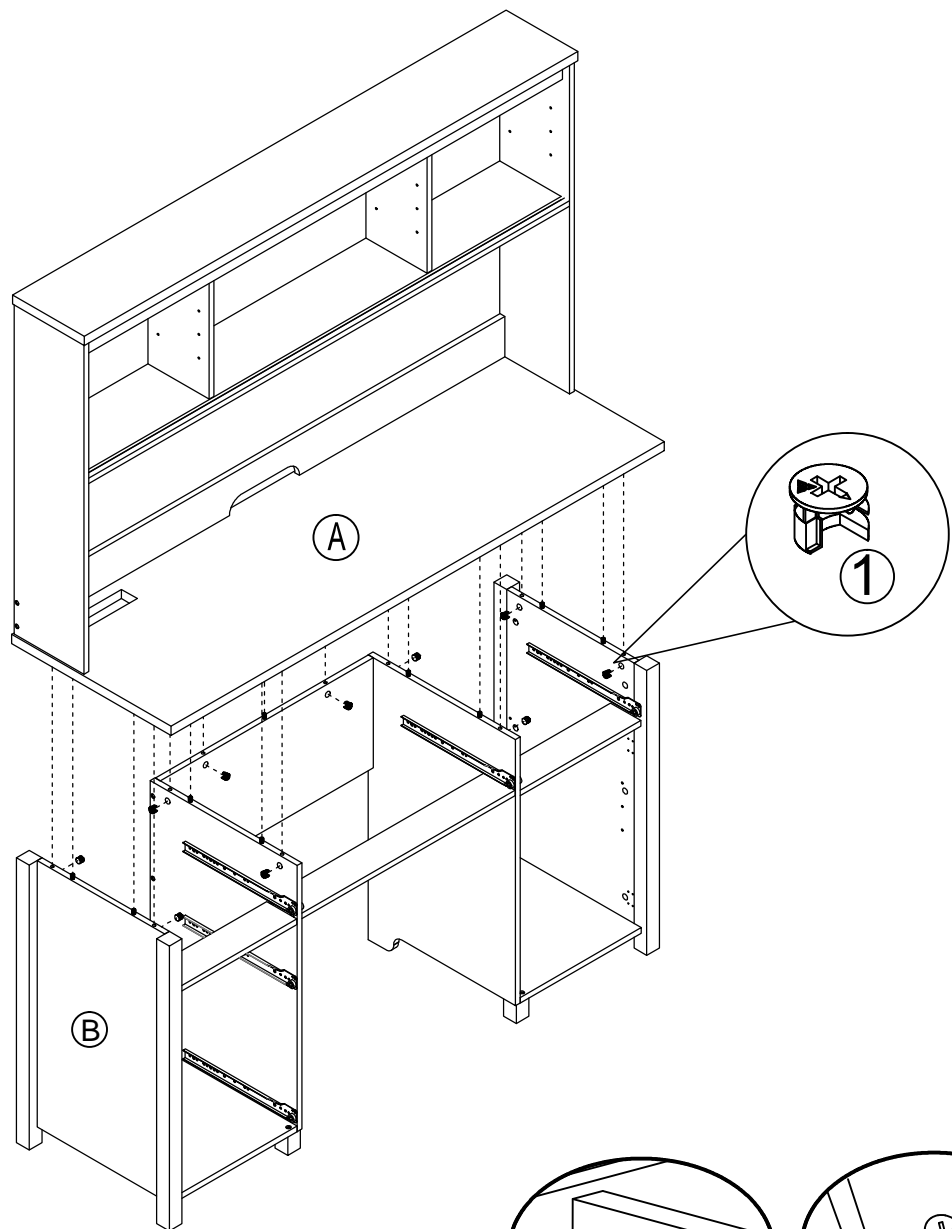
# STEP 22



# STEP 23

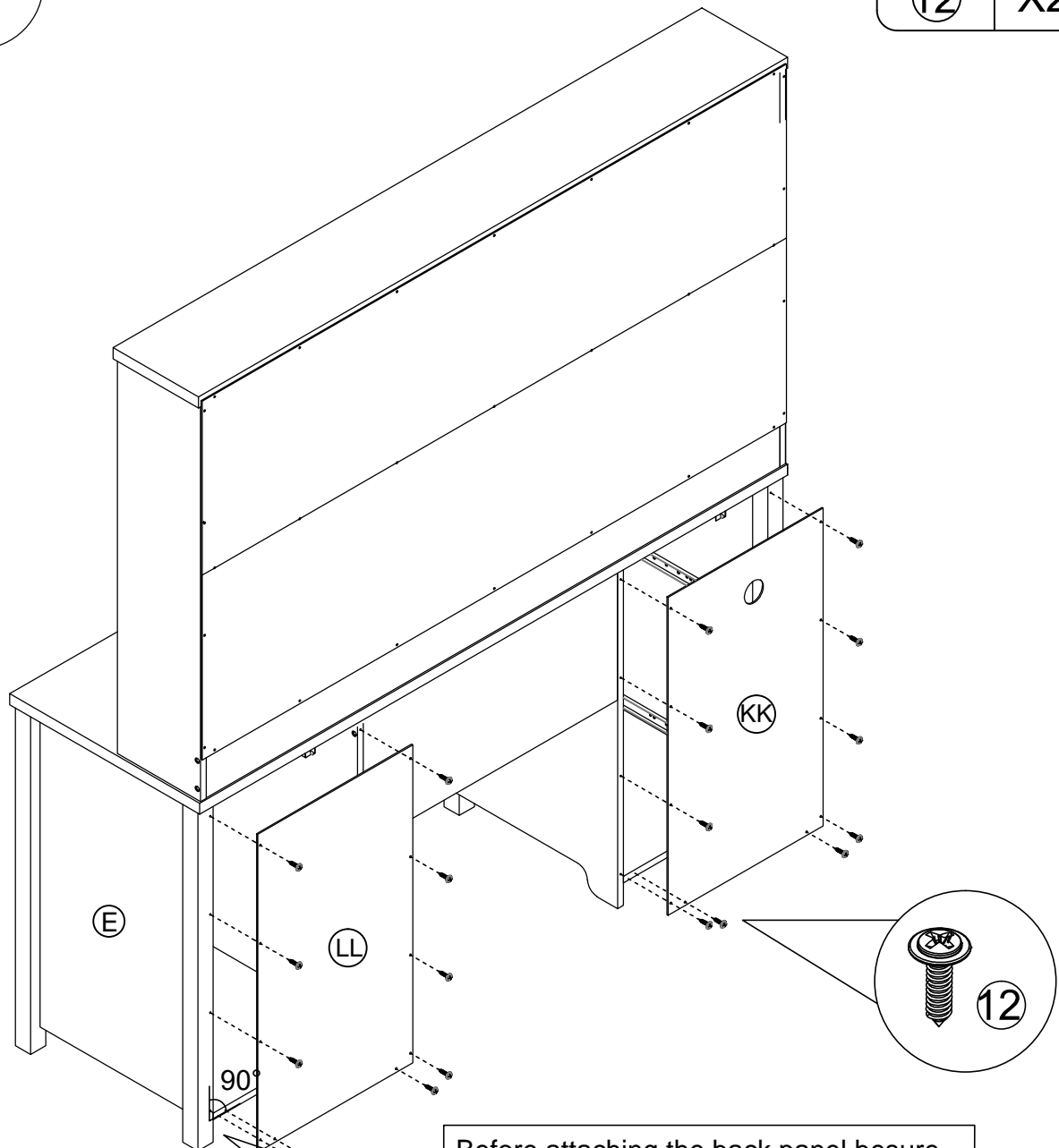
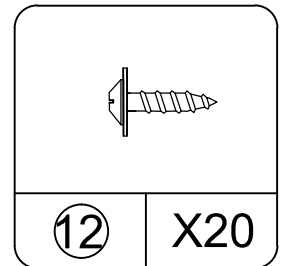
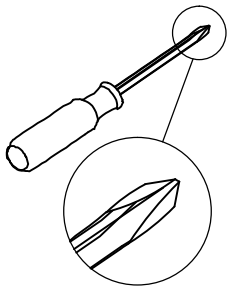


THIS STEP REQUIRES 2 PEOPLE



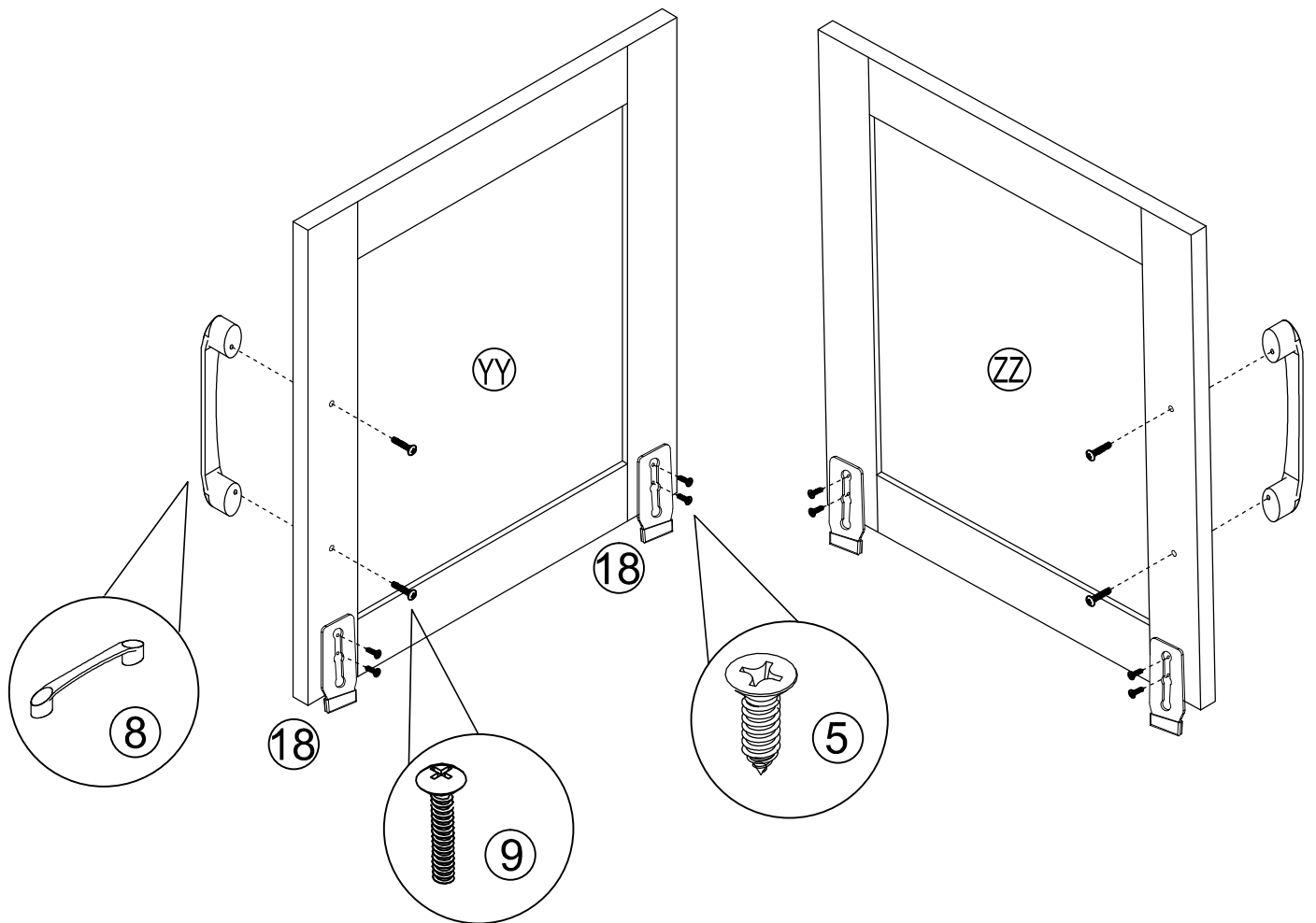
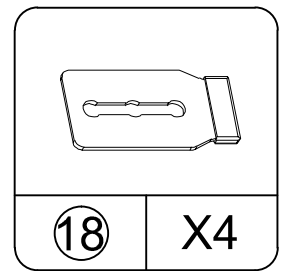
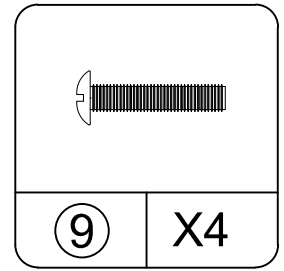
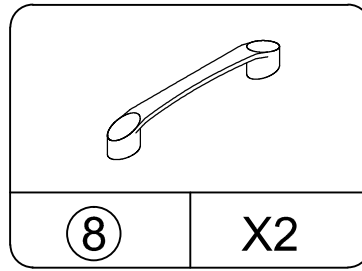
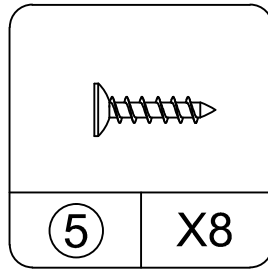
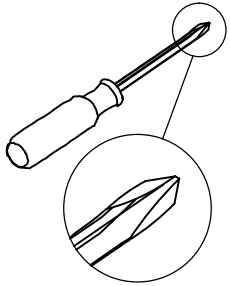
Proper orientation of CAM LOCK

# STEP24

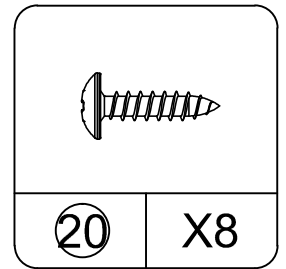
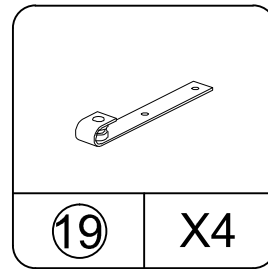
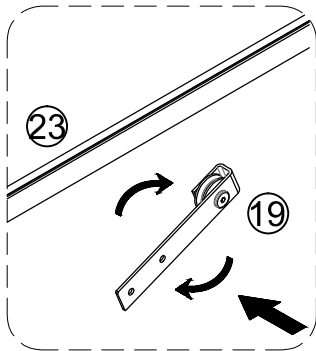


Before attaching the back panel, be sure that the unit is at 90°  
Avant d'attacher le panneau arrière, assurez-vous que l'unité est à 90°  
Antes de fijar el panel posterior, asegúrese de que la unidad esté a 90°

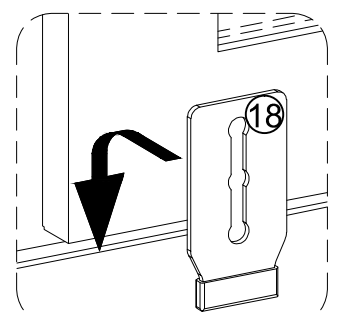
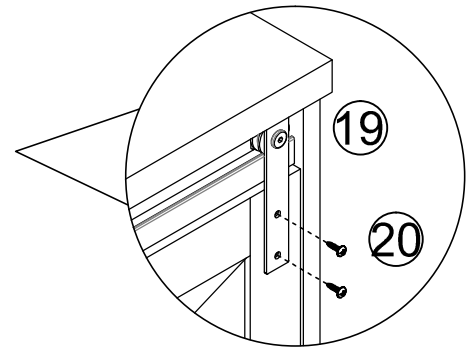
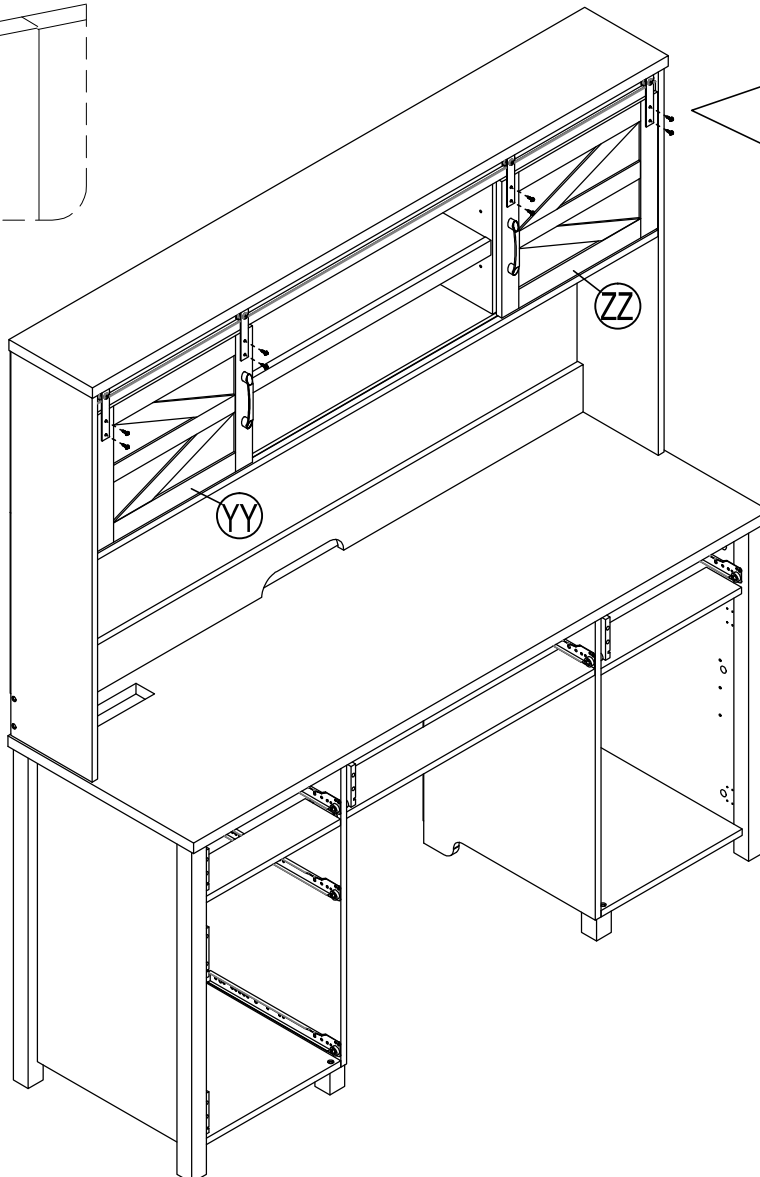
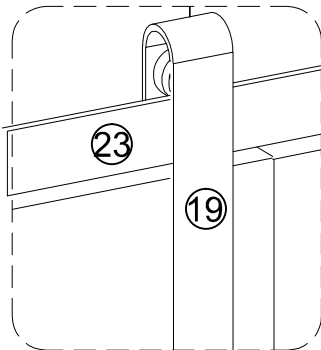
# STEP 25



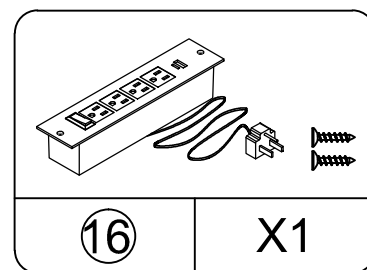
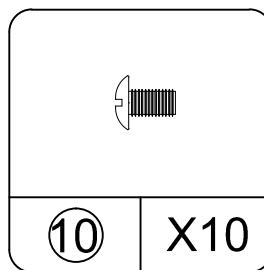
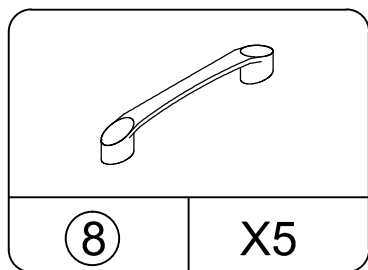
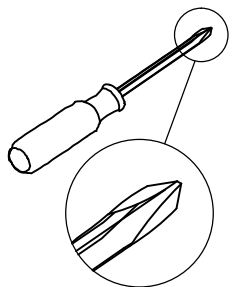
# STEP26



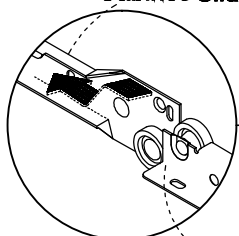
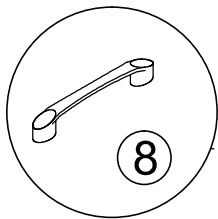
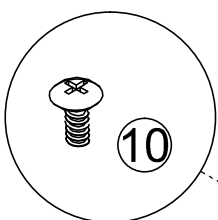
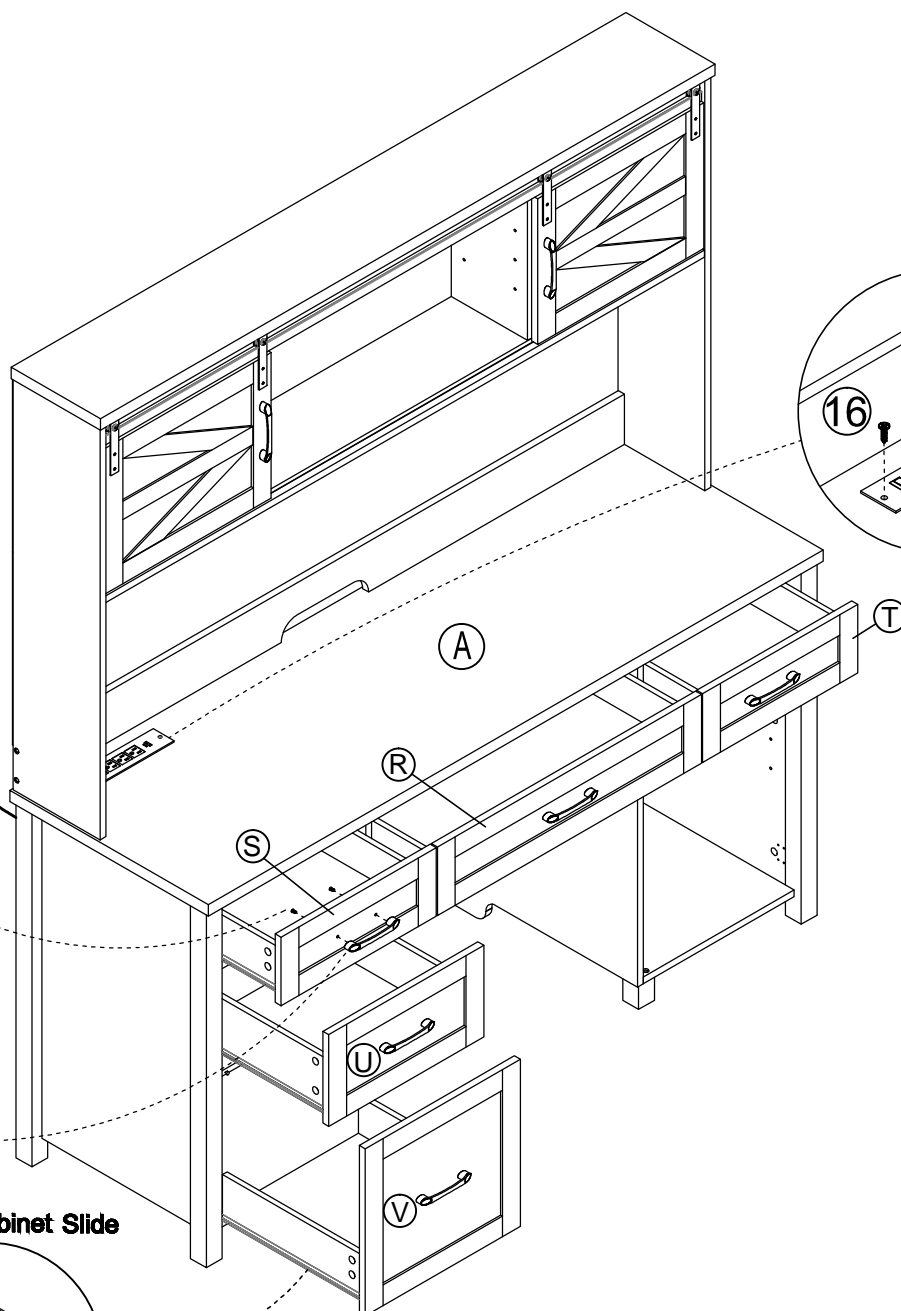
Part 19 shall be hung on part 23 .  
Part 18 shall be inserted into the groove.



# STEP 27



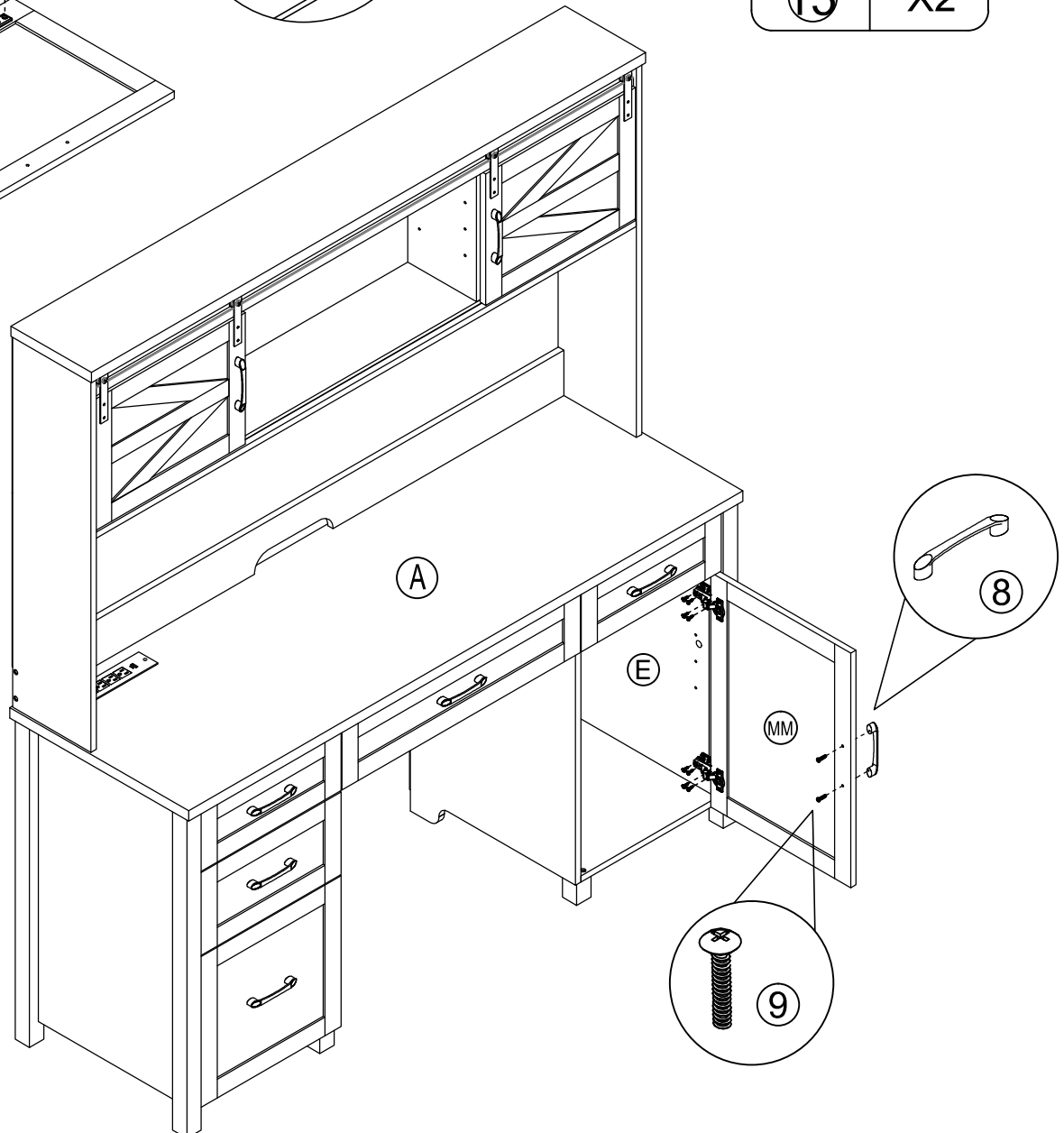
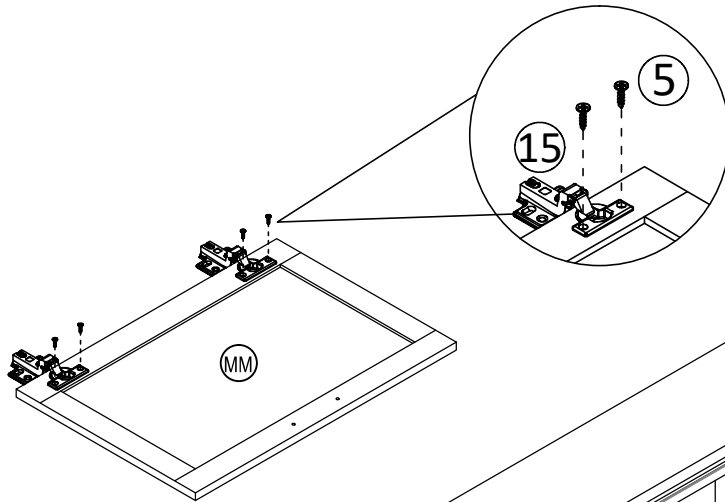
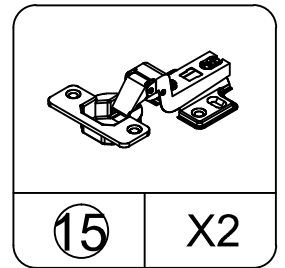
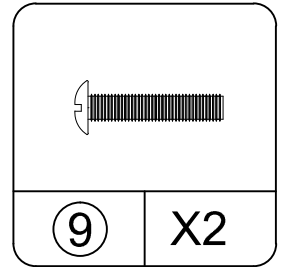
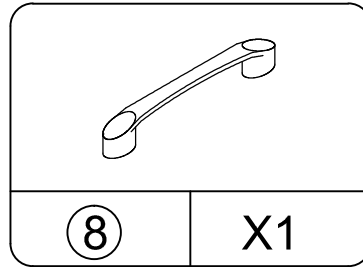
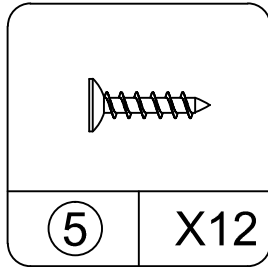
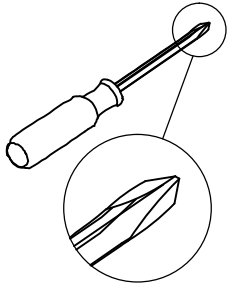
The plug passes through the hole of the KK board.



Cabinet Slide

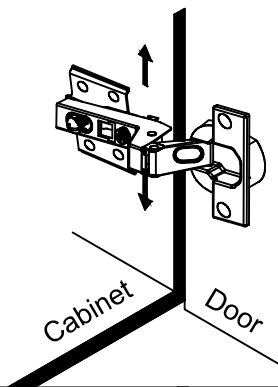
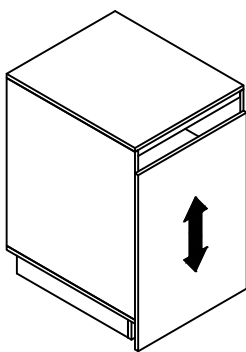
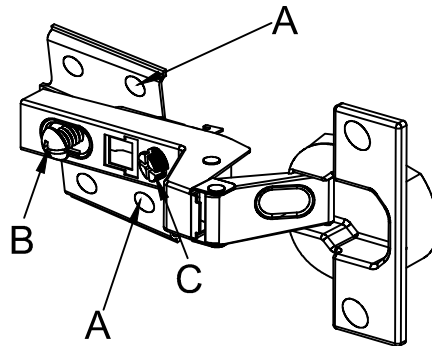
Drawer Slide

# STEP28



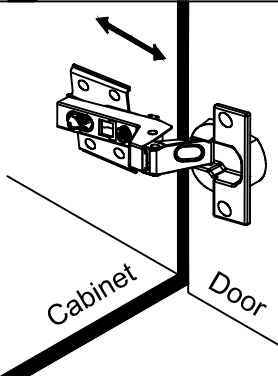
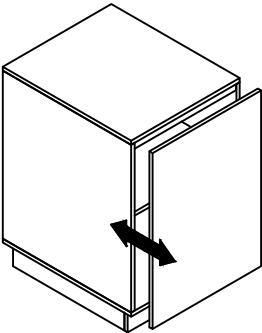
# STEP 29

---



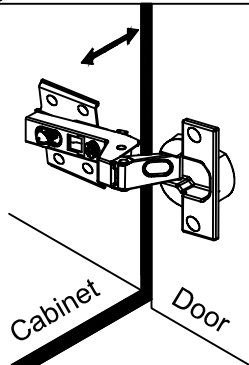
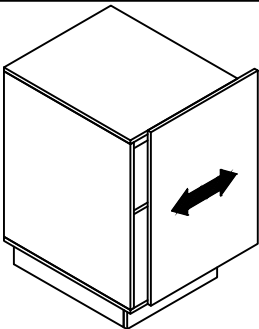
## To adjust the vertical height.

Loosen the four screws "A" on both hinges. Two of them are usually in slotted holes which allows you to adjust up or down by a few mm. Then tighten back up.



## To adjust depth.

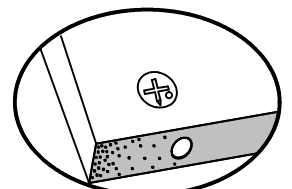
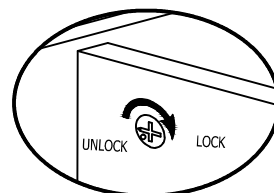
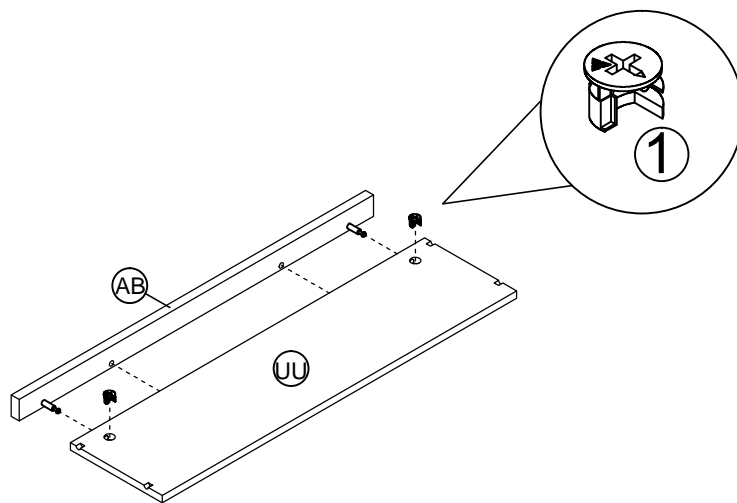
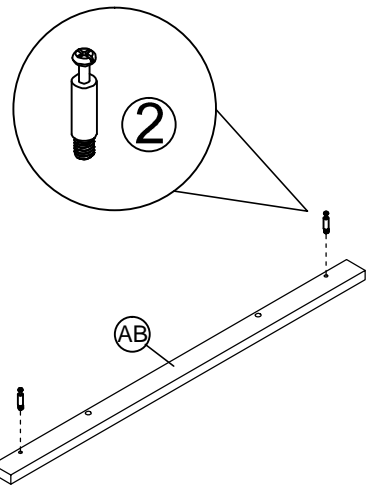
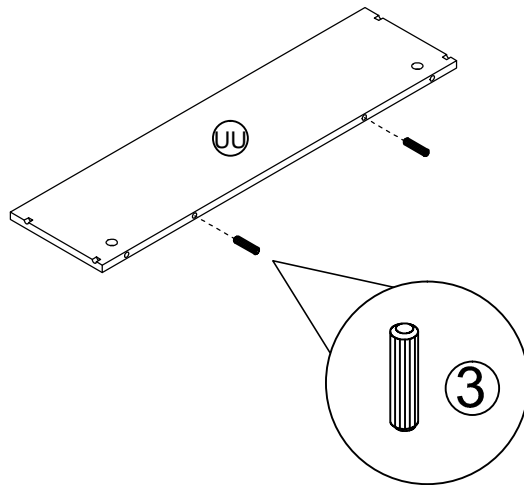
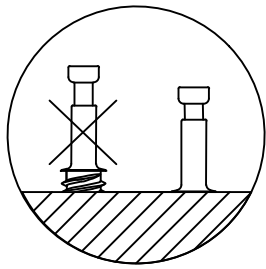
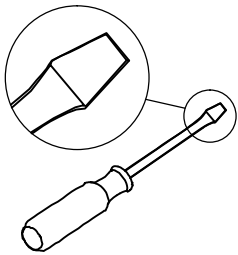
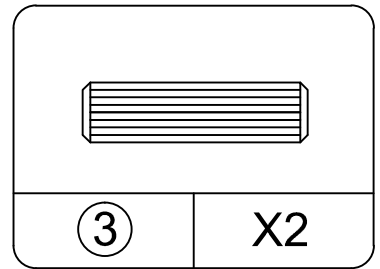
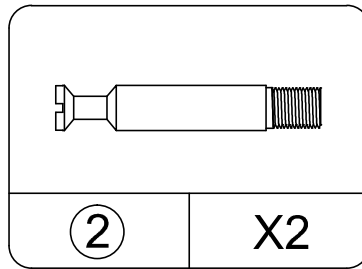
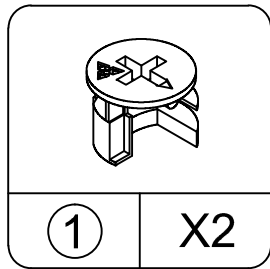
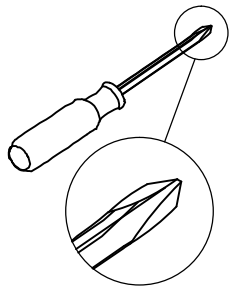
Loosen screw "B" and adjust door, if the door can not be adjusted, please loosen screw "C", then try again. Tighten screw "B" and "C".



## To adjust side ways.

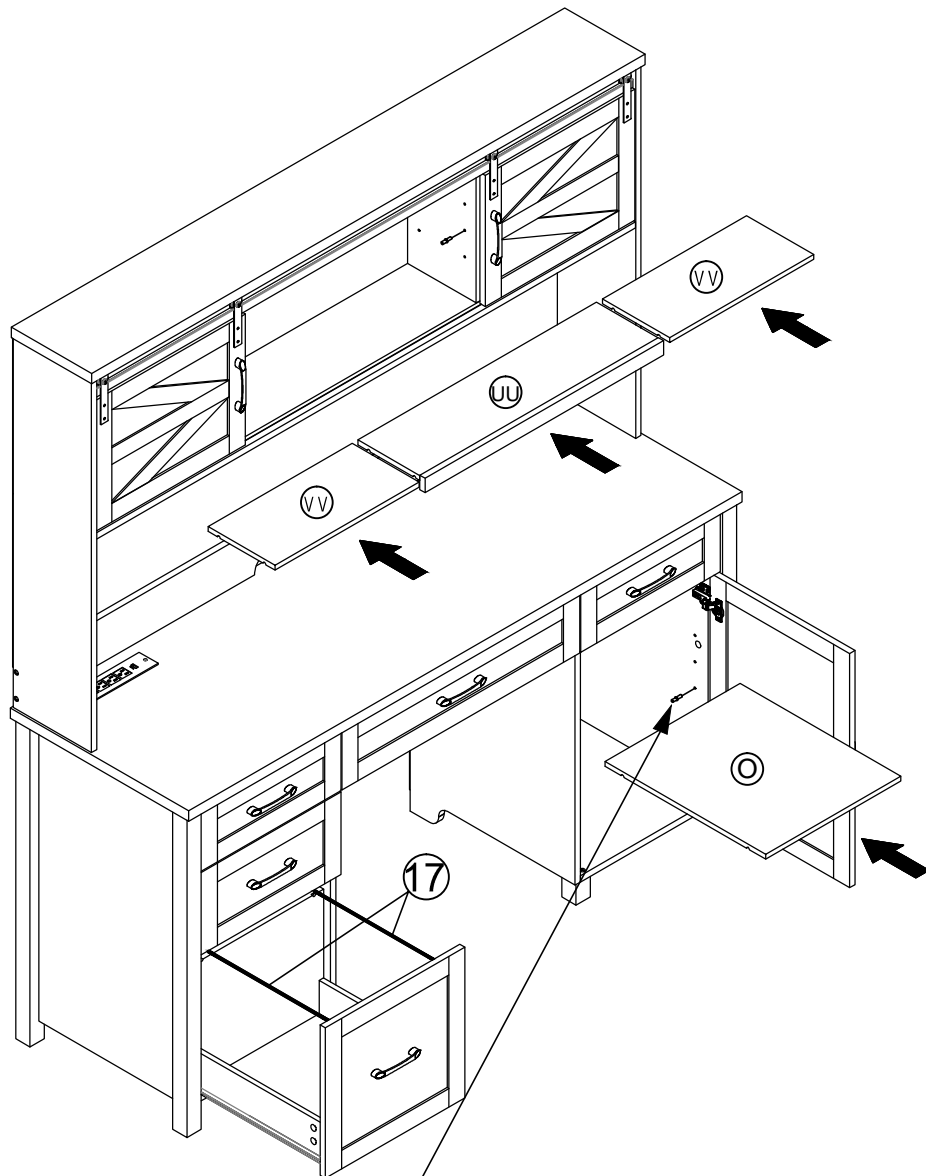
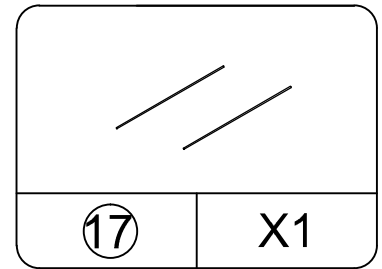
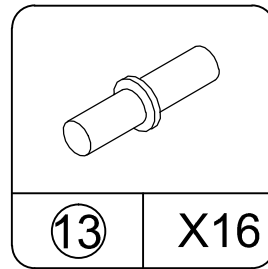
Turning the screw "C" on BOTH hinges on each door.

# STEP30



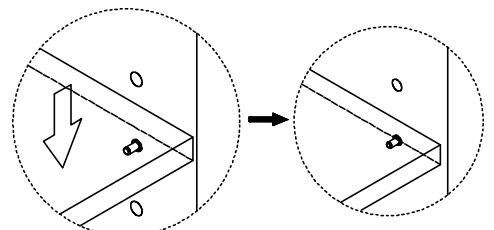
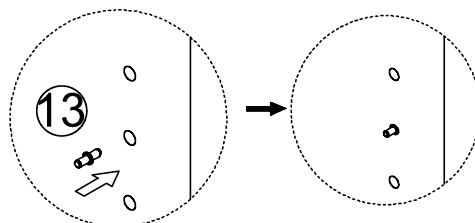
Proper orientation of CAM LOCK

# STEP 31

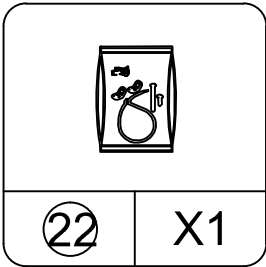


**Step 1**  
Select the desired height  
and put it in

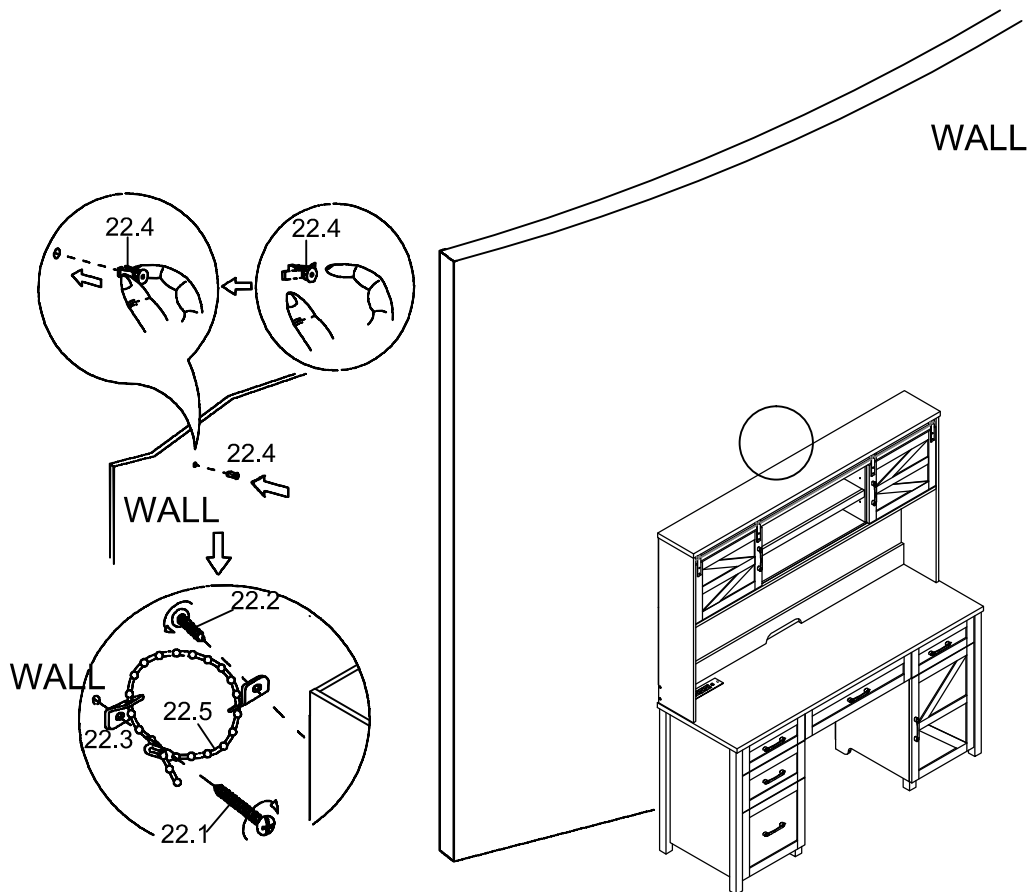
**Step 2**  
Aim the board gaps down



# STEP32



PART LIST	FIGURE	QUANTITY	DESCRIPTION
22.1		1PC	LONG SCREW (Dia.4mmX38mmL)
22.2		1PC	SHORT SCREW (Dia.4mmX19mmL)
22.3		2PC	METAL "L"BRACKET
22.4		1PC	PLASTIC ANCHOR
22.5		1PC	CABLE



Follow the instructions printed on the plastic bag containing the tipping restraint hardware to attach the tip-over restraints to the unit and the wall.

NOTE: The tipping restraint hardware included is for drywall construction. It will be necessary to drill holes for the wall anchors. Depending upon your wall construction, different anchor hardware may be required. Please contact your local hardware store for assistance.