

1420

GU-10



Line: Dot  
Family: Pendant  
Description: Dot Accord Pendant 1420

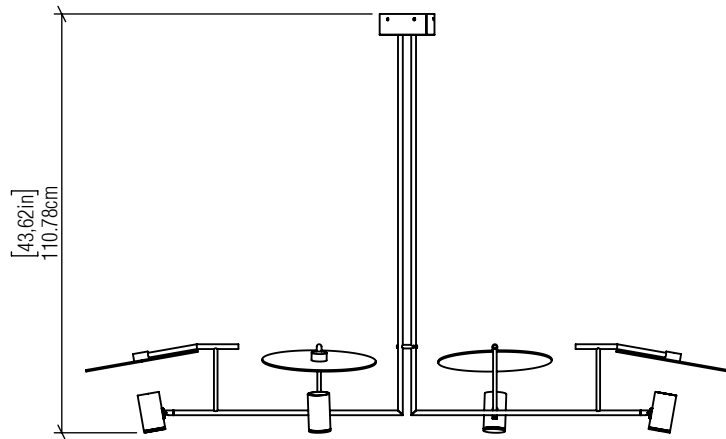
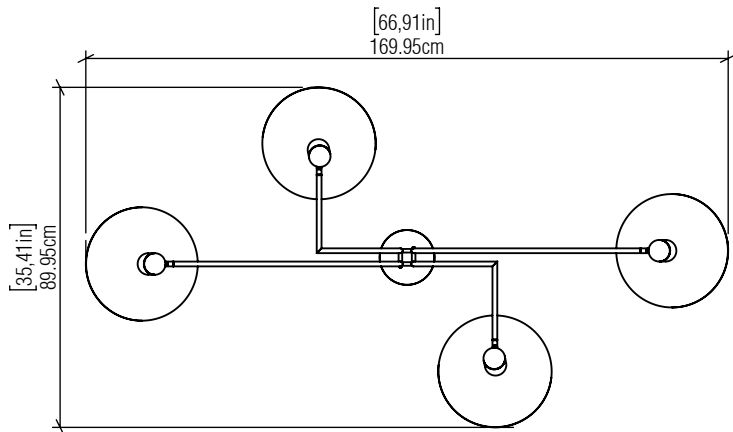
Material: Natural Wood Veneer MDF and Carbon Steel  
Weight:

4x 6W (max. each) Not Included

Color Temperature: Lamp dependent  
CRI: Lamp dependent  
Luminous Flux: Lamp dependent  
Total Power: Lamp dependent

Input Voltage: 110V - 277V  
Input Frequency: 60 Hz  
Isolation: Class II

Height Adjustment Limit:



FINISHING OPTION:

	02 MATTE BLACK		27 GOLD
	06 IMBUIA		29 TEAL
	07 WHITE		30 OLIVE GREEN
	09 LOURO FREIJÓ		31 FERRARI RED
	12 TEAK		32 COPPER
	15 CAPPUCCINO		33 BRONZE
	18 AMERICAN WALNUT		34 MAPLE
	22 GLOSSY BLACK		38 PALE GOLD
	25 IREDESCENT WHITE		39 LEAD GREY
	26 LIGHT PINK		40 SATIN BLUE