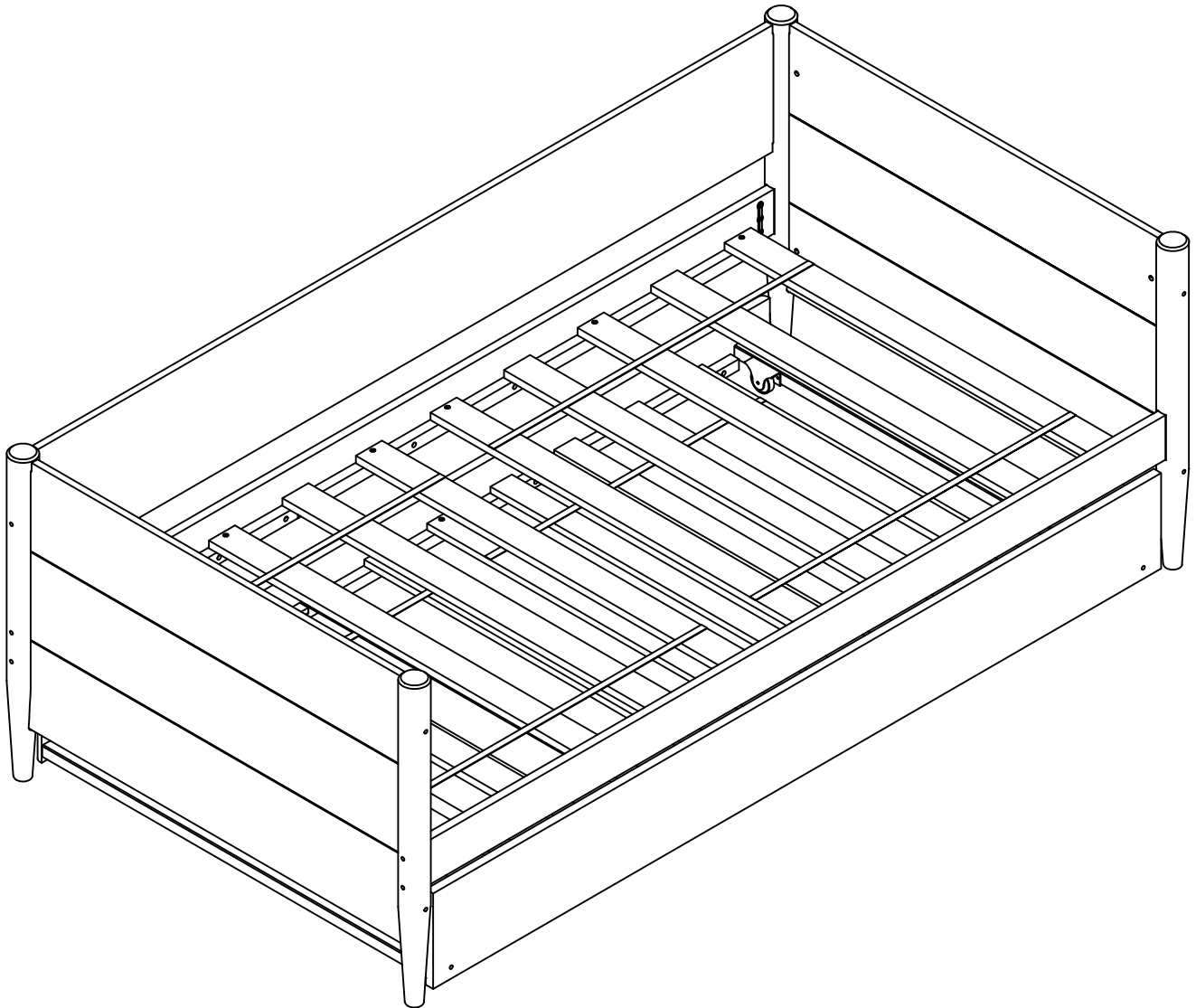


ASSEMBLY INSTRUCTIONS

MID CENTURY MODERN DAYBED - TWIN SIZE



Assembly
02 people



Time
1:30 hours approximately

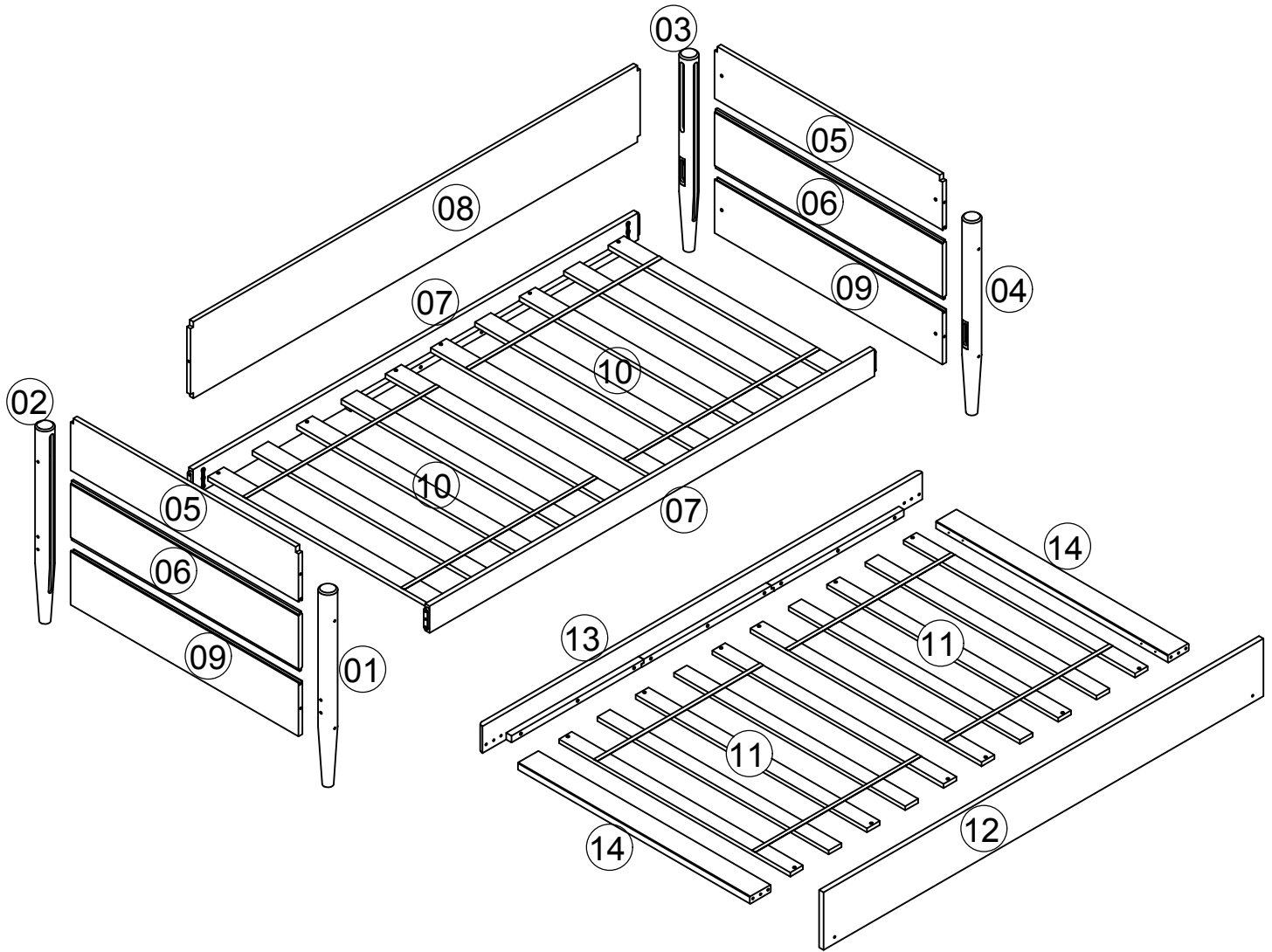


Tools
philips key, rubber hammer



Volume quantity
01 boxes



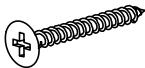
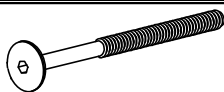
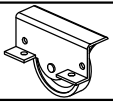
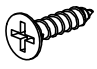

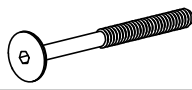
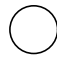
Parts list for assembly. Please confirm all parts available before assembly.

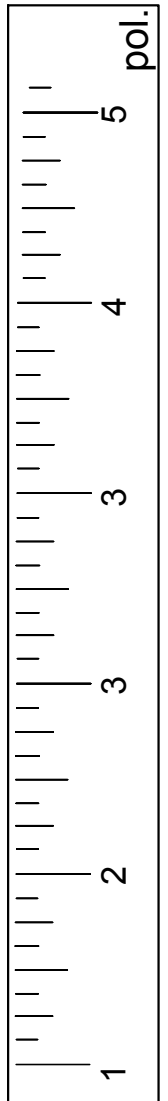


ATTENTION

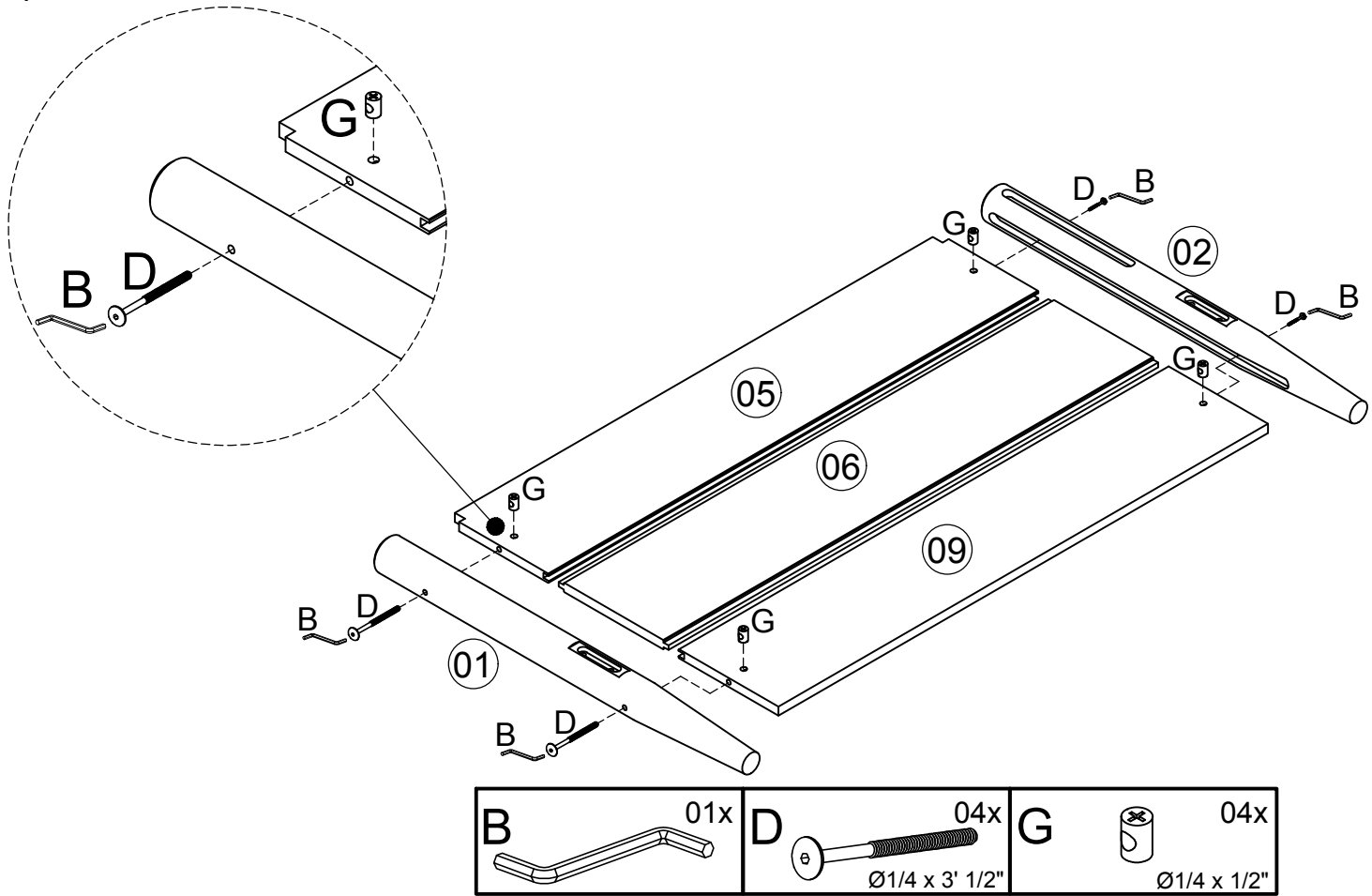
- * Read and observe carefully all the assembly instructions before beginning assembly.
- * The assembly of the product must be done on a clean and flat surface. We suggest to use the packaging to cover the floor to avoid damages.
- * The screws must be tightened periodically.
- * Avoid contact with sharp objects.
- * Avoid banging pieces together.

Hardware list for assembly
Please confirm all hardware available before assembly.

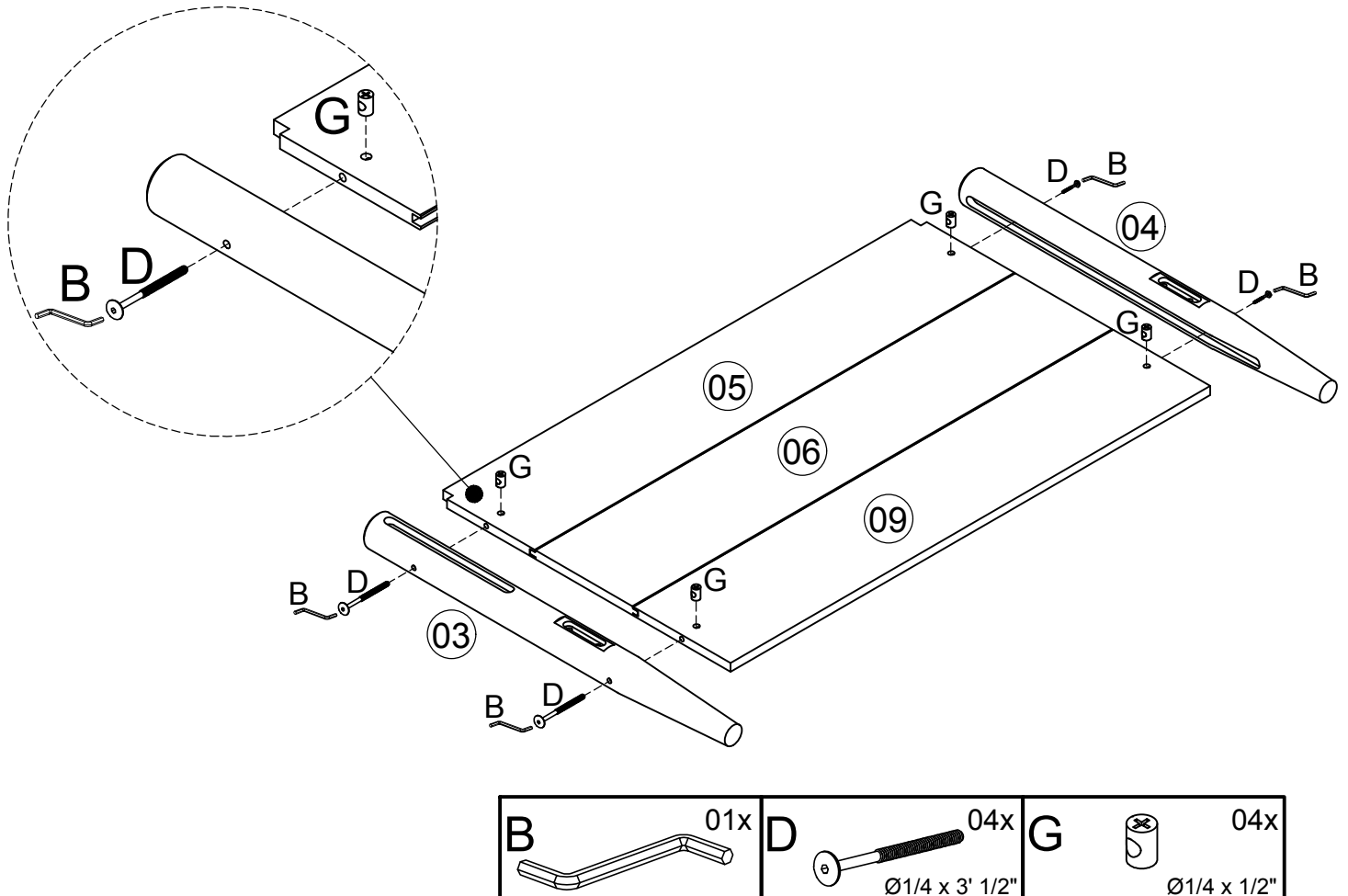
A		$\text{Ø}5/16 \times 1' 1/4''$	08x
B			01x
C		$\text{Ø}5/32 \times 1''$	24x
D		$\text{Ø}1/4 \times 3' 1/2''$	18x
E		2"	04x
F		$\text{Ø}5/32 \times 3/4''$	16x
G		$\text{Ø}1/4 \times 1/2''$	08x
H		$\text{Ø}1/4 \times 2' 3/4''$	04x
I		Sticker $\text{Ø}3/4''$	06x

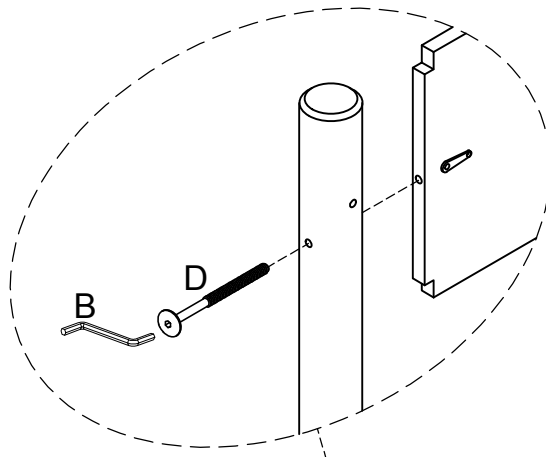


Step - 01

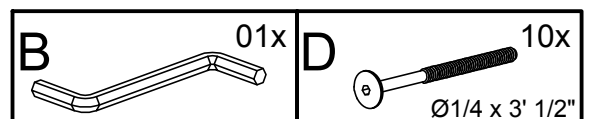
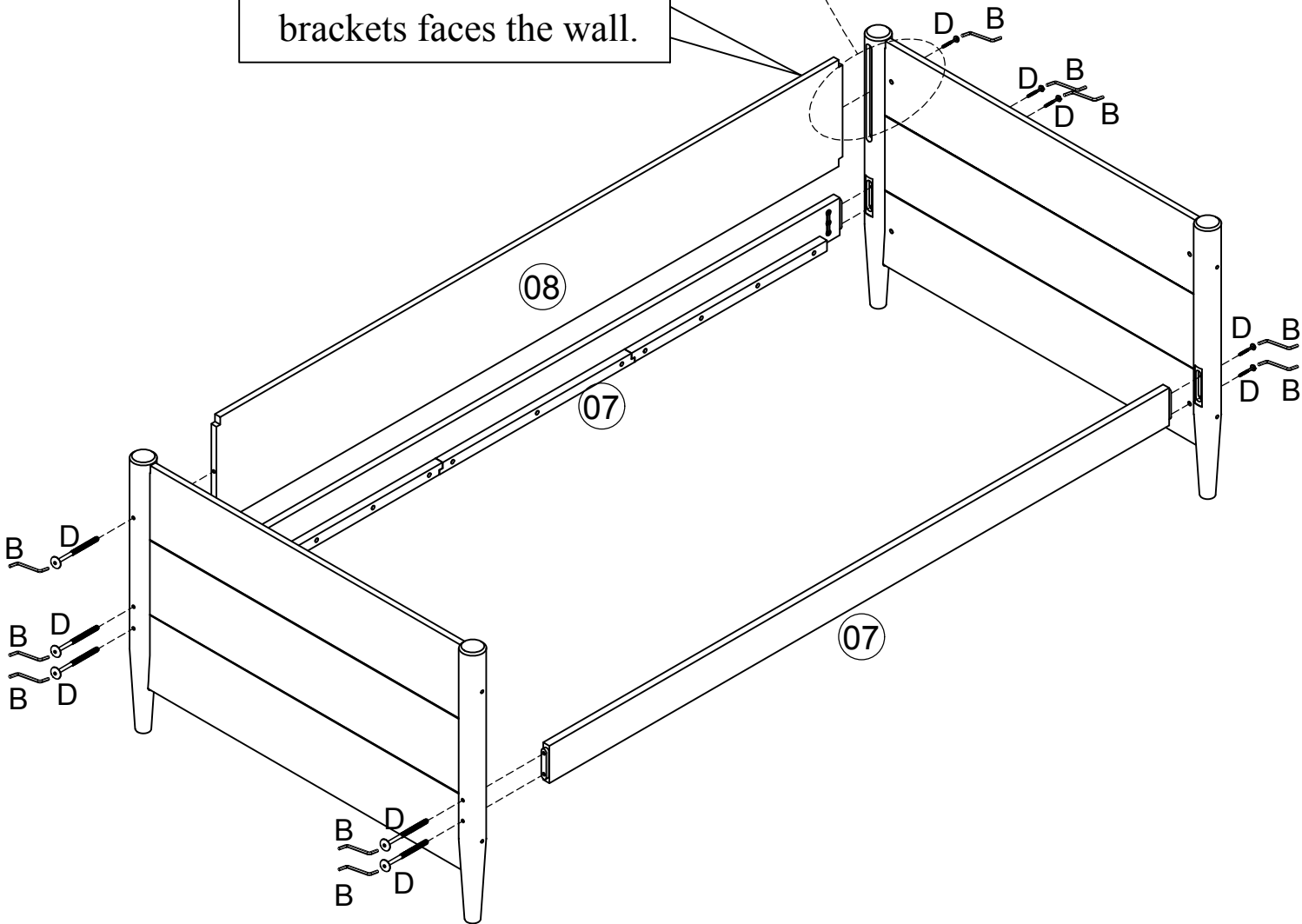


Step - 02

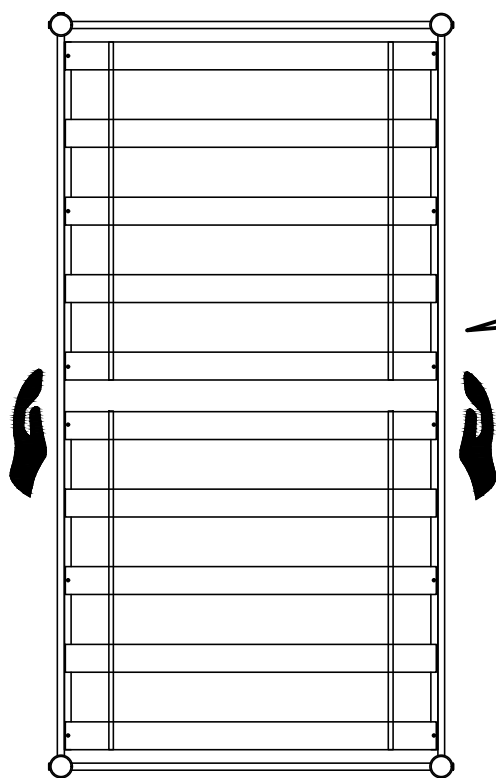
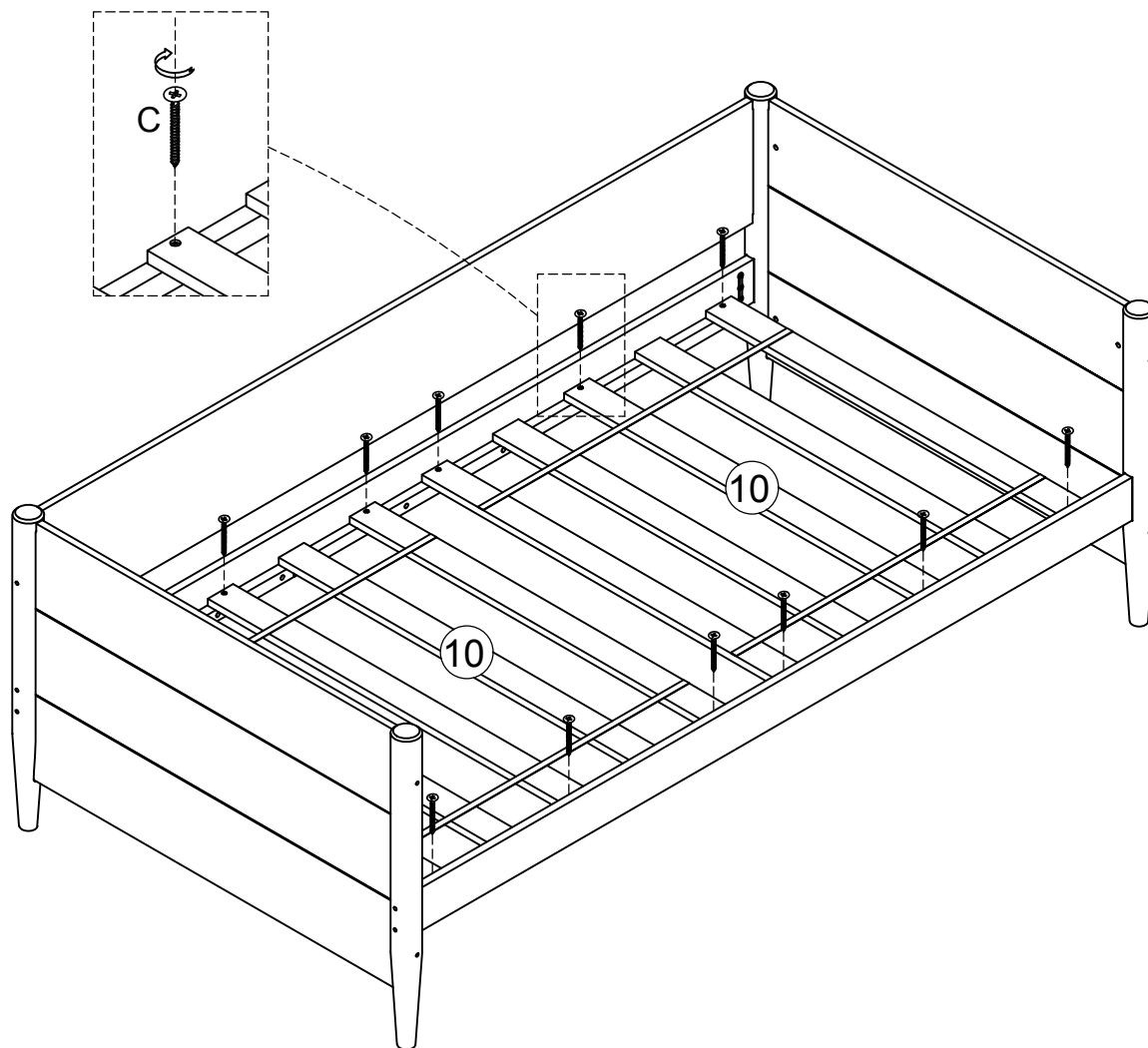




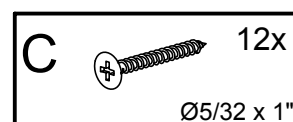
The side with the metal brackets faces the wall.



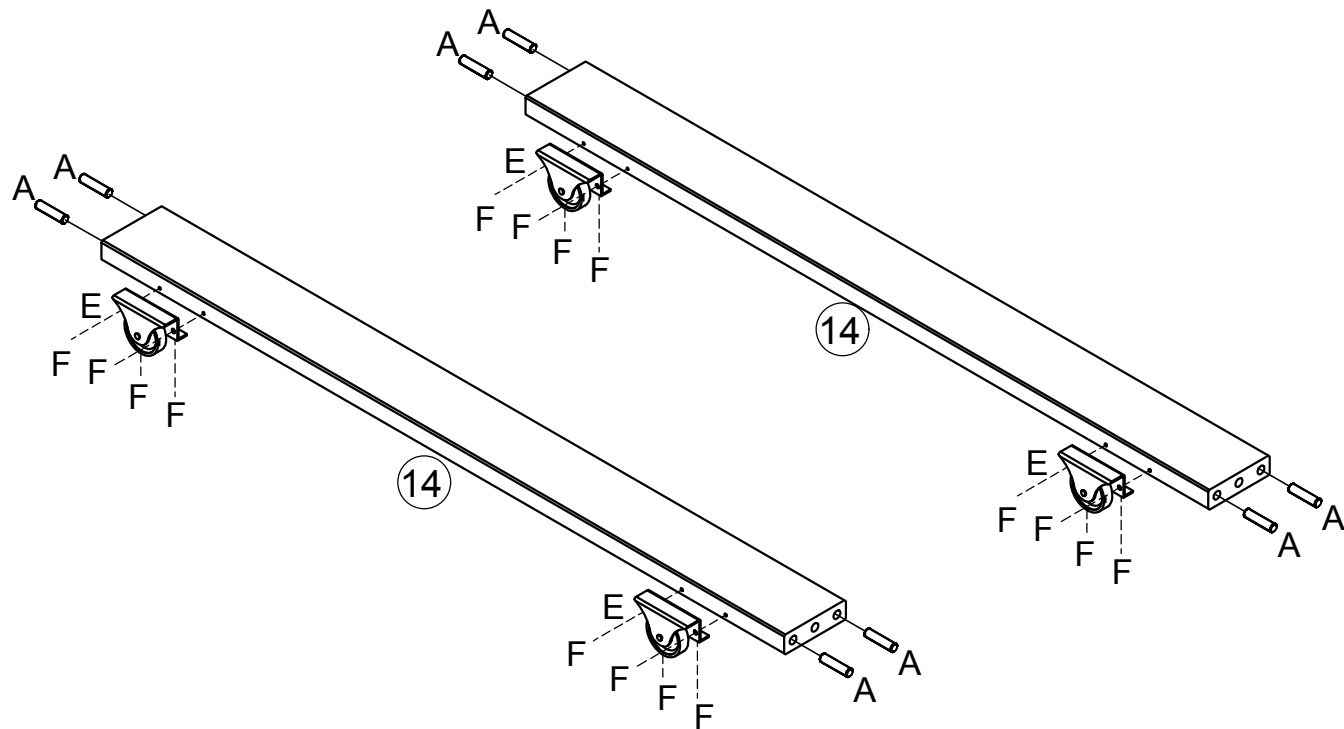
Step - 04


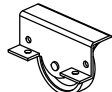



Before you screw in the slats apply pressure to cross beams (7) to ensure that mattress supports (10) fit evenly between cross beams.

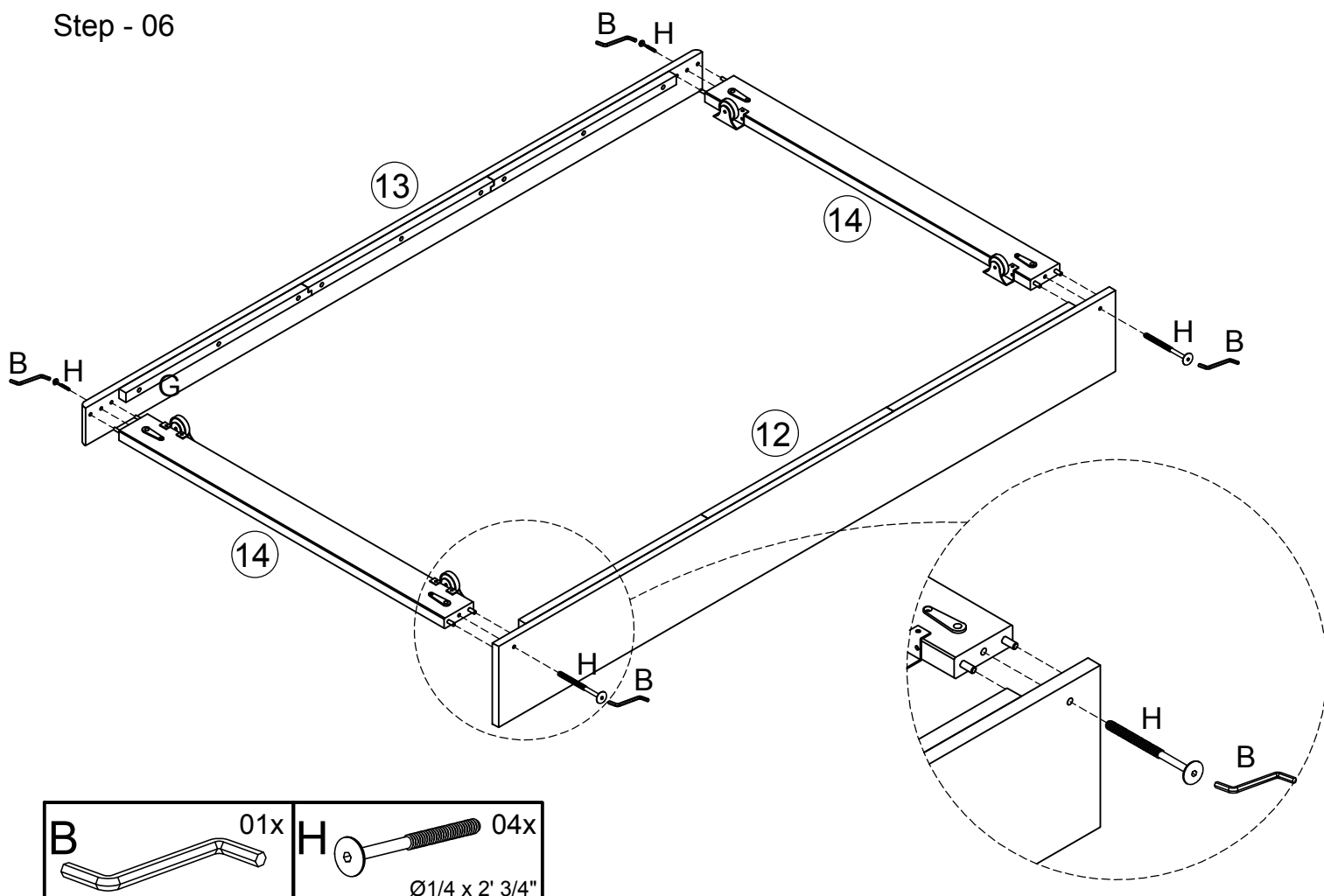



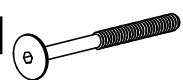
Step - 05



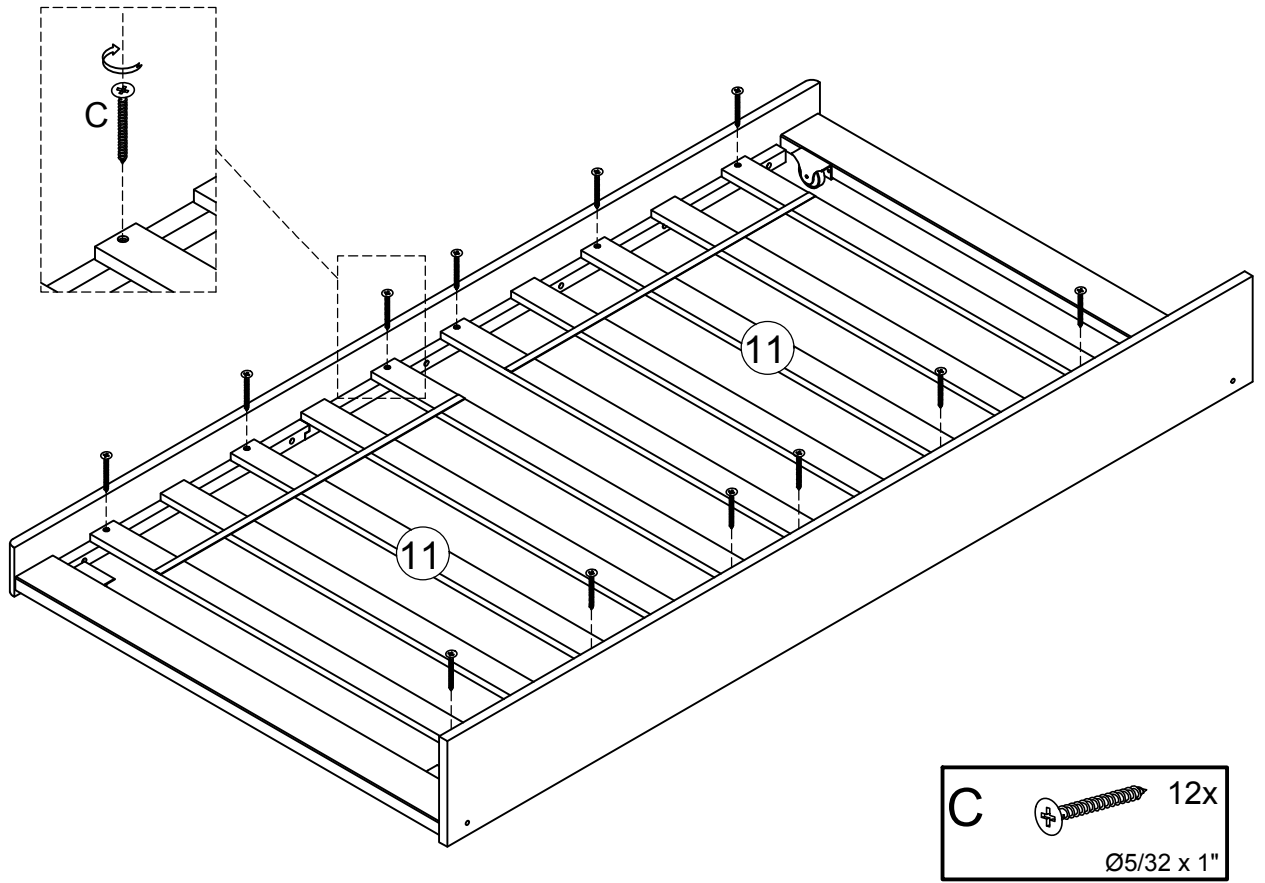
A  08x $\text{Ø}5/16 \times 1' 1/4''$	E  04x 2"	F  16x $\text{Ø}5/32 \times 3/4''$
---	--	--

Step - 06



B  01x	H  04x $\text{Ø}1/4 \times 2' 3/4''$
---	---

Step - 07



Step - 08

