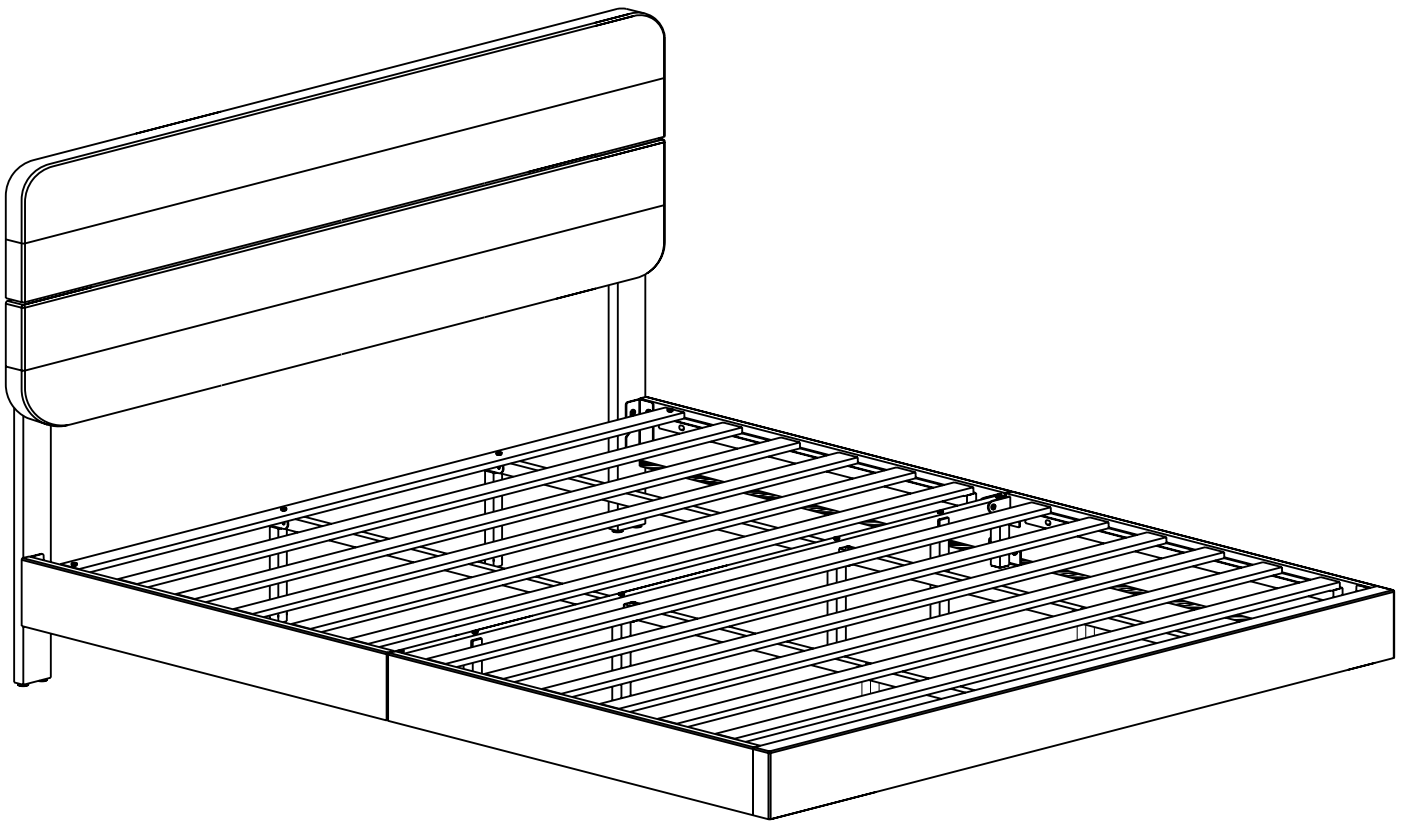


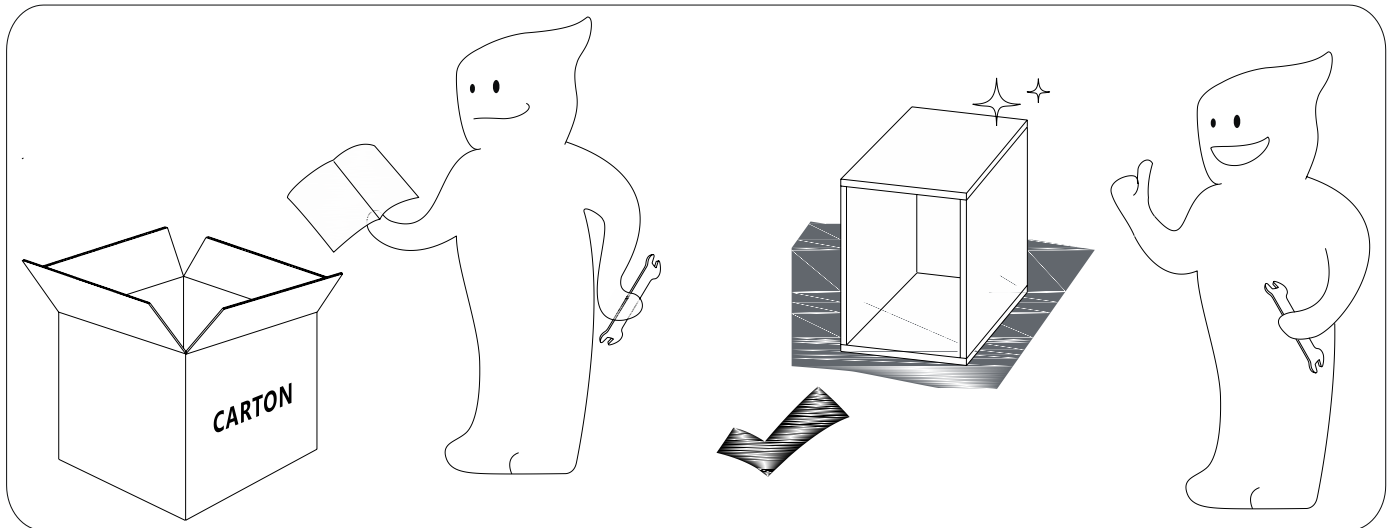
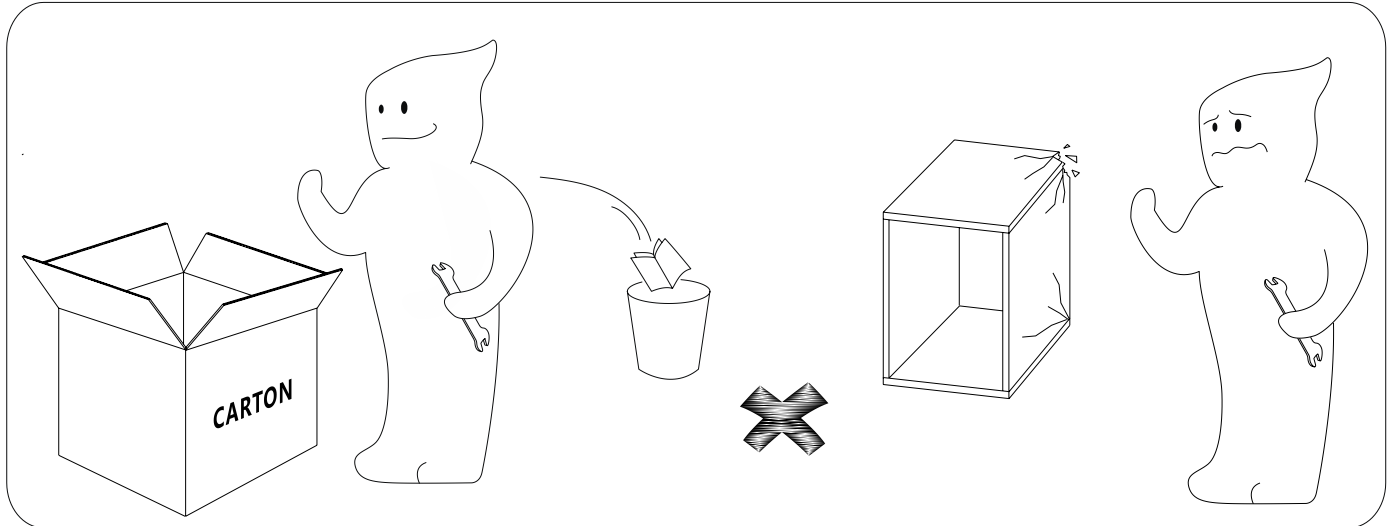
ASSEMBLY INSTRUCTIONS

Upholstered Bed



! IMPORTANT

Please follow the instruction manuals and use a pad to protect the product during your assembly.



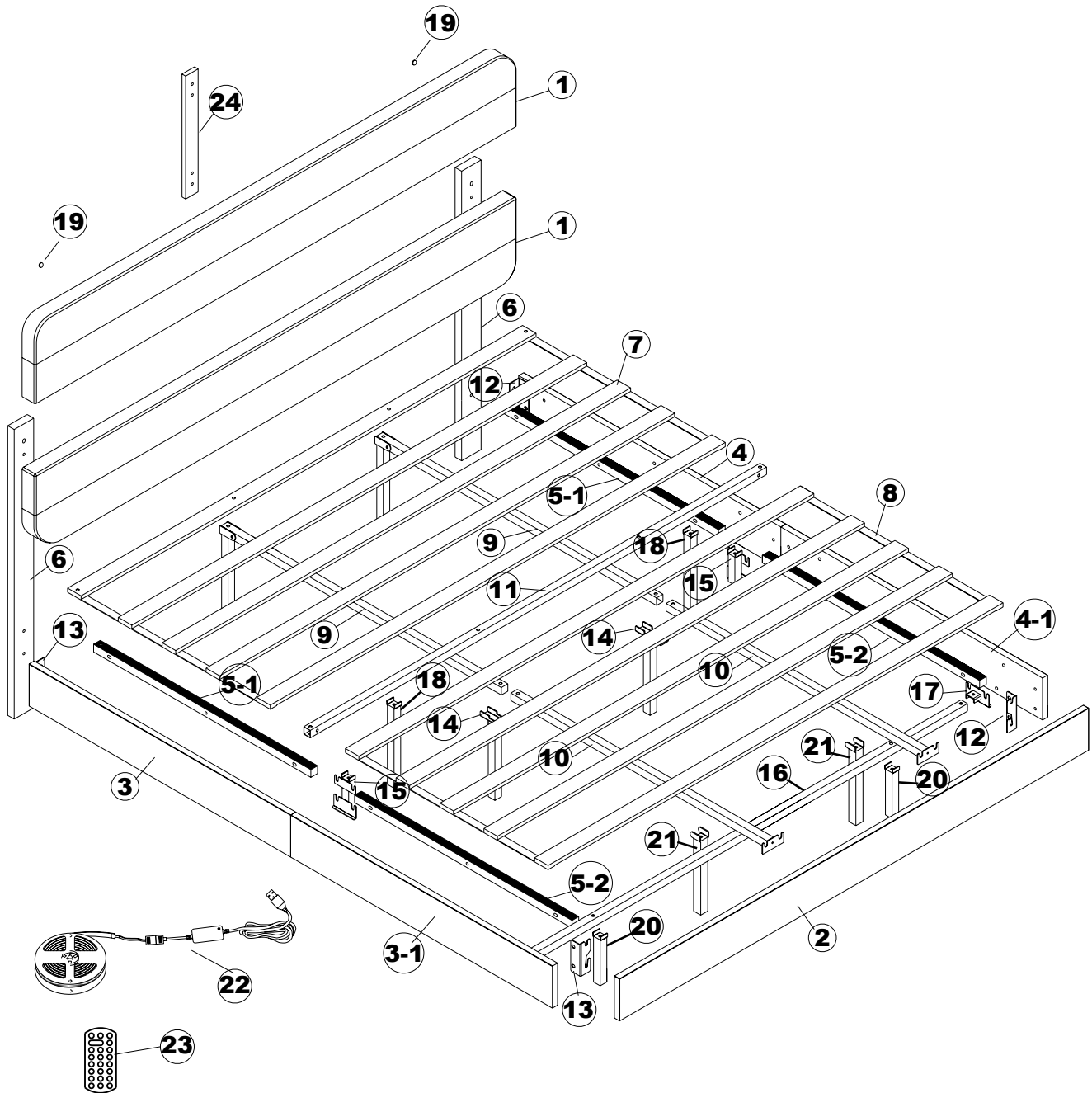
Note:

- 1. Should be assembled on flat ground to keep balance.**
- 2. Before completing the installation, do not tighten the screws.**



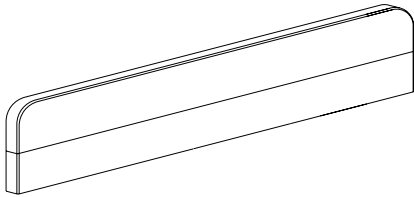
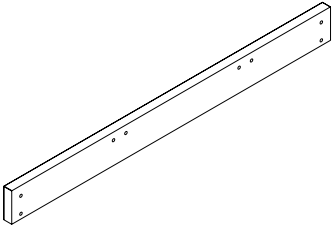
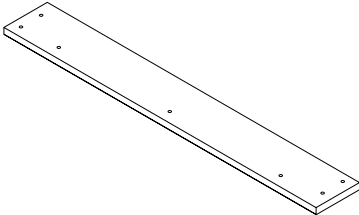
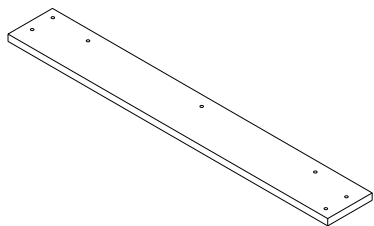
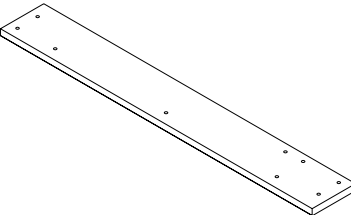
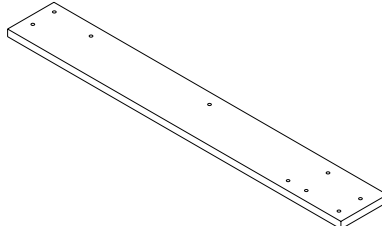
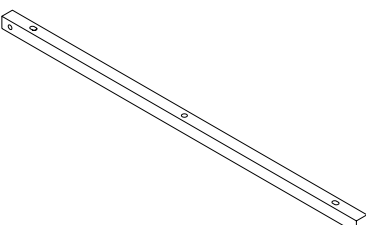
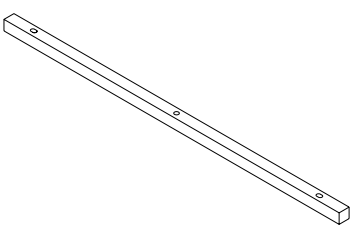
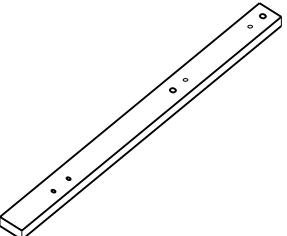
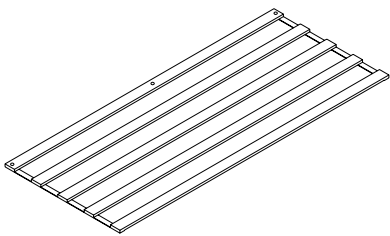
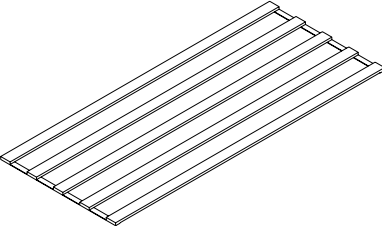
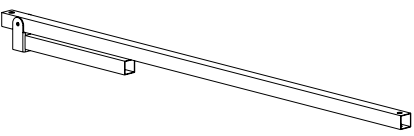
For easier and better assembly, **2** or more adults are required.

ASSEMBLY INSTRUCTIONS

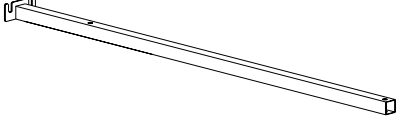
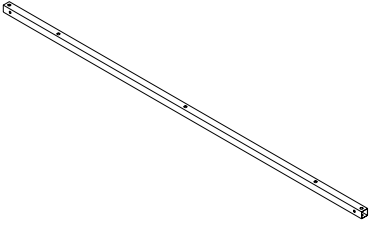
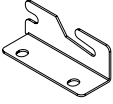
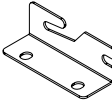
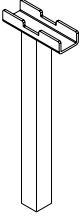
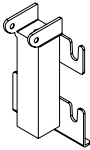
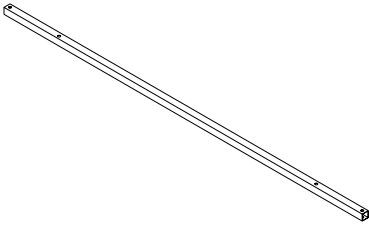
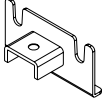

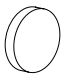


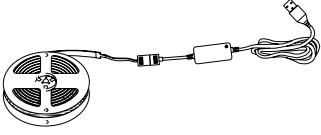
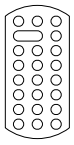

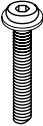
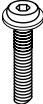
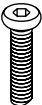


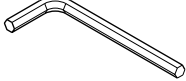


ASSEMBLY INSTRUCTIONS

PARTS LIST

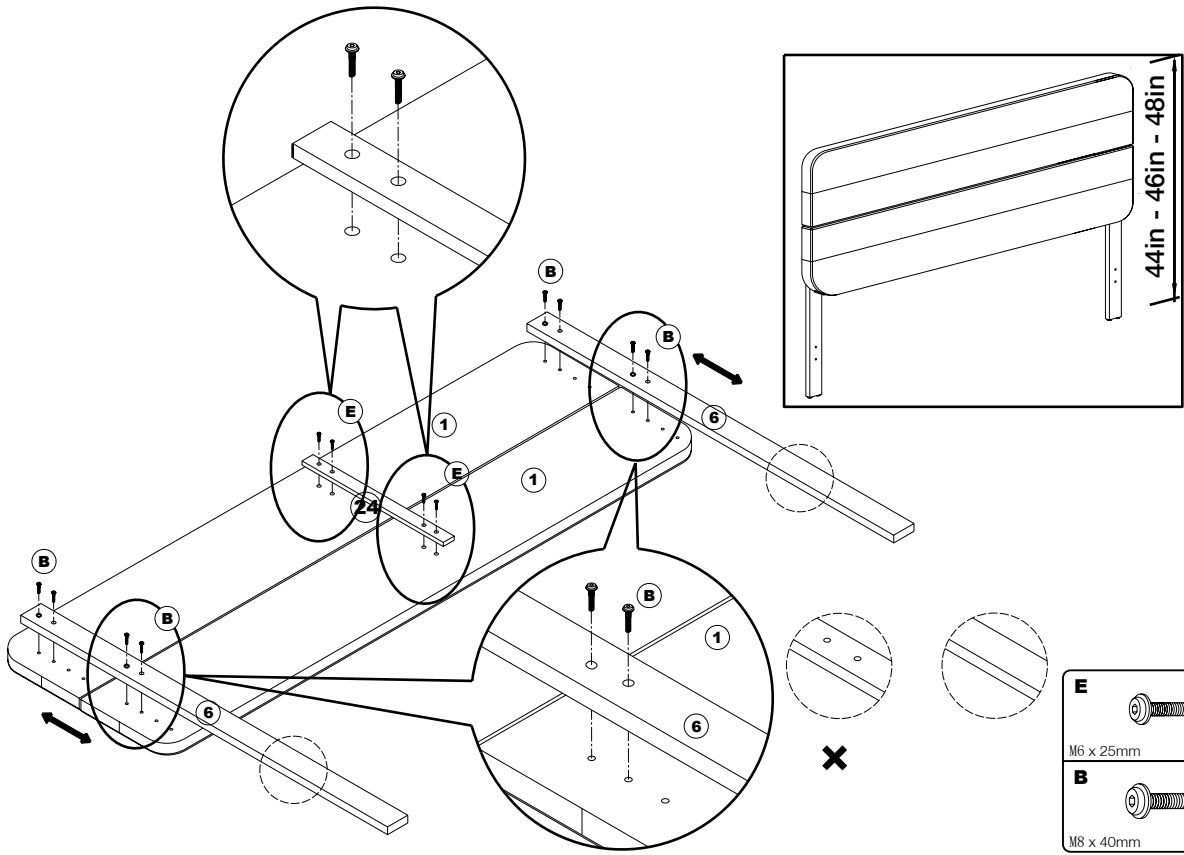
1  2pcs	2  1pc
3  1pc	4  1pc
3-1  1pc	4-1  1pc
5-1  2pcs	5-2  2pcs
6  2pcs	7  1pc
8  1pc	9  2pcs


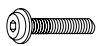
ASSEMBLY INSTRUCTIONS

<p>10</p>  <p>1pc</p>	<p>11</p>  <p>1pc</p>		
<p>12</p>  <p>2pcs</p>	<p>13</p>  <p>2pcs</p>	<p>14</p>  <p>2pcs</p>	<p>15</p>  <p>2pcs</p>
<p>16</p>  <p>1pc</p>	<p>17</p>  <p>2pcs</p>	<p>18</p>  <p>2pcs</p>	
<p>19</p>  <p>2pcs</p>	<p>20</p>  <p>2pcs</p>	<p>21</p>  <p>2pcs</p>	<p>22</p>  <p>1pc</p>
<p>23</p>  <p>1pc</p>	<p>24</p>  <p>1pc</p>	<p>A</p>  <p>M8x50</p> <p>4pcs</p>	<p>B</p>  <p>M8x40</p> <p>22pcs</p>
<p>C</p>  <p>M8x30</p> <p>12pcs</p>	<p>D</p>  <p>M8x15</p> <p>32pcs</p>	<p>E</p>  <p>M6x25</p> <p>6pcs</p>	<p>F</p>  <p>M5 allen key</p> <p>1pc</p>

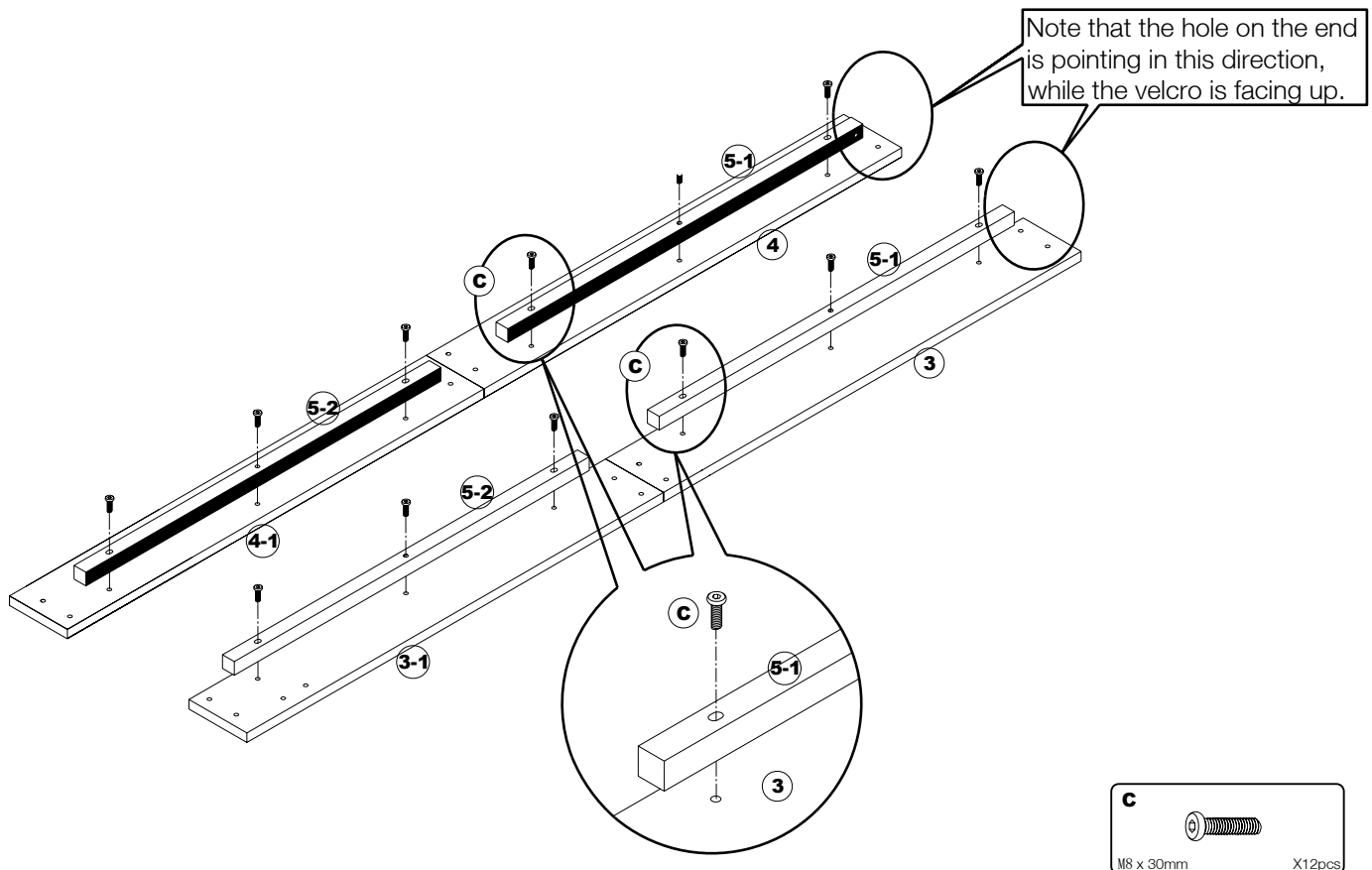
ASSEMBLY INSTRUCTIONS


1



E		
	M6 x 25mm	X4pcs
B		
	M8 x 40mm	X8pcs

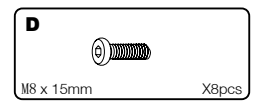
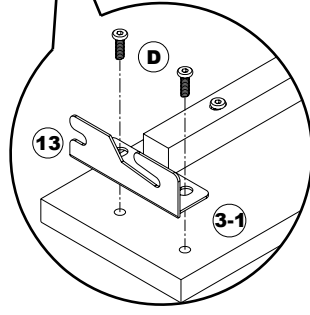
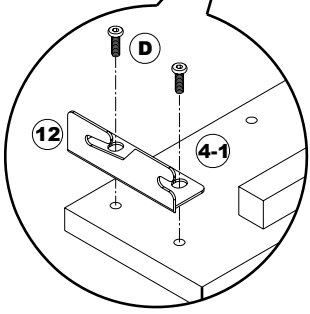
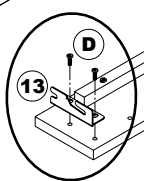
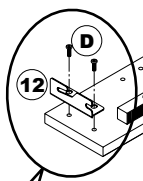
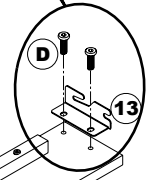
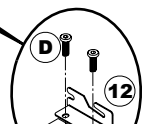
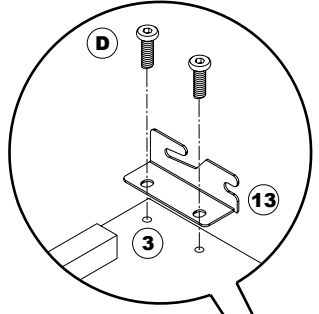
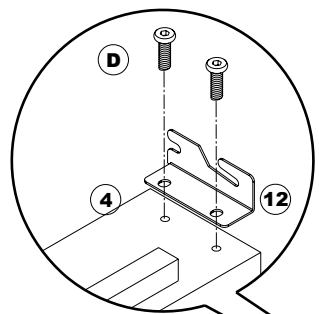
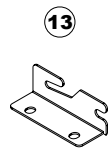
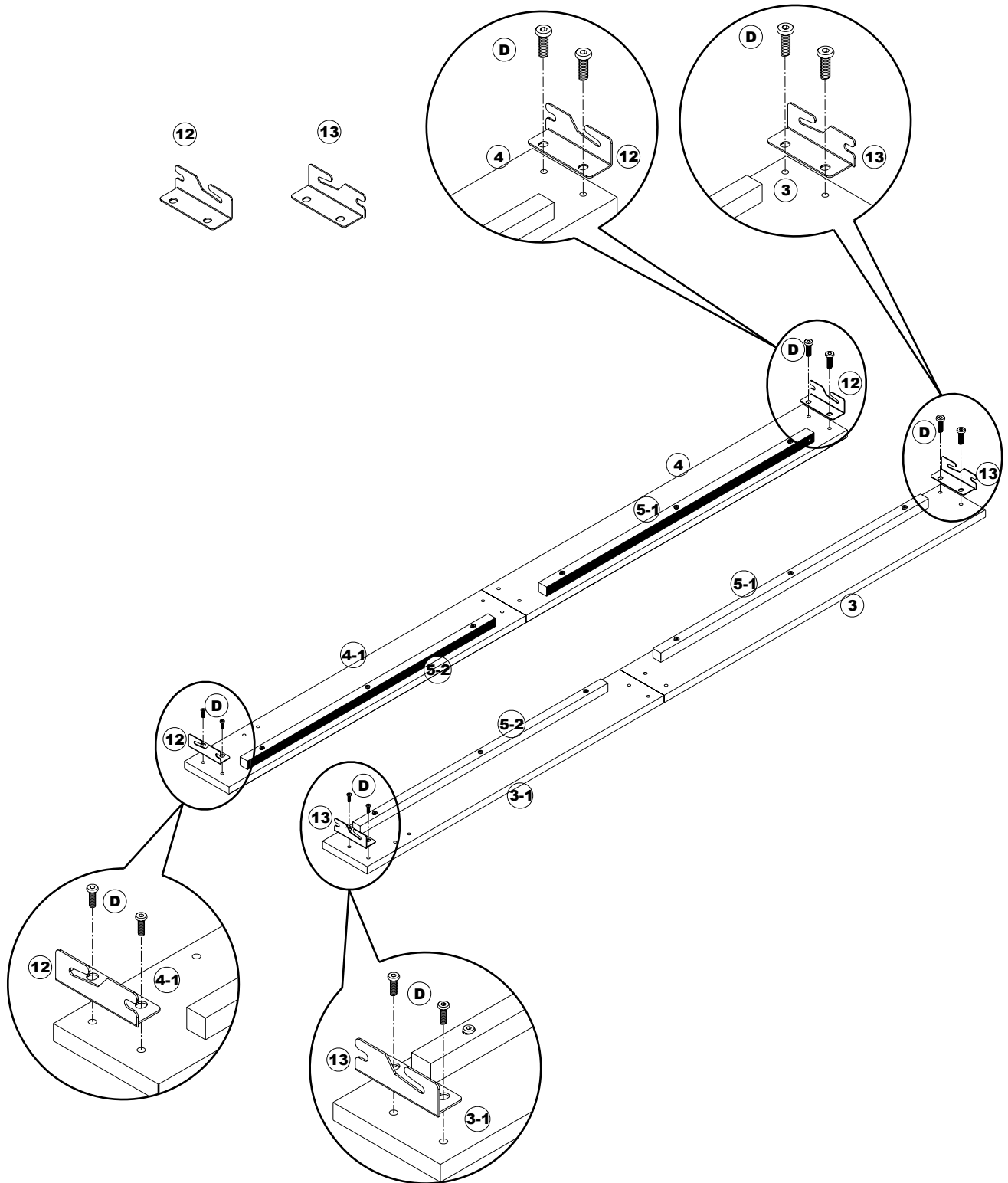
2



C		
	M8 x 30mm	X12pcs

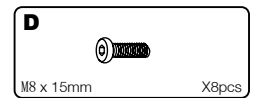
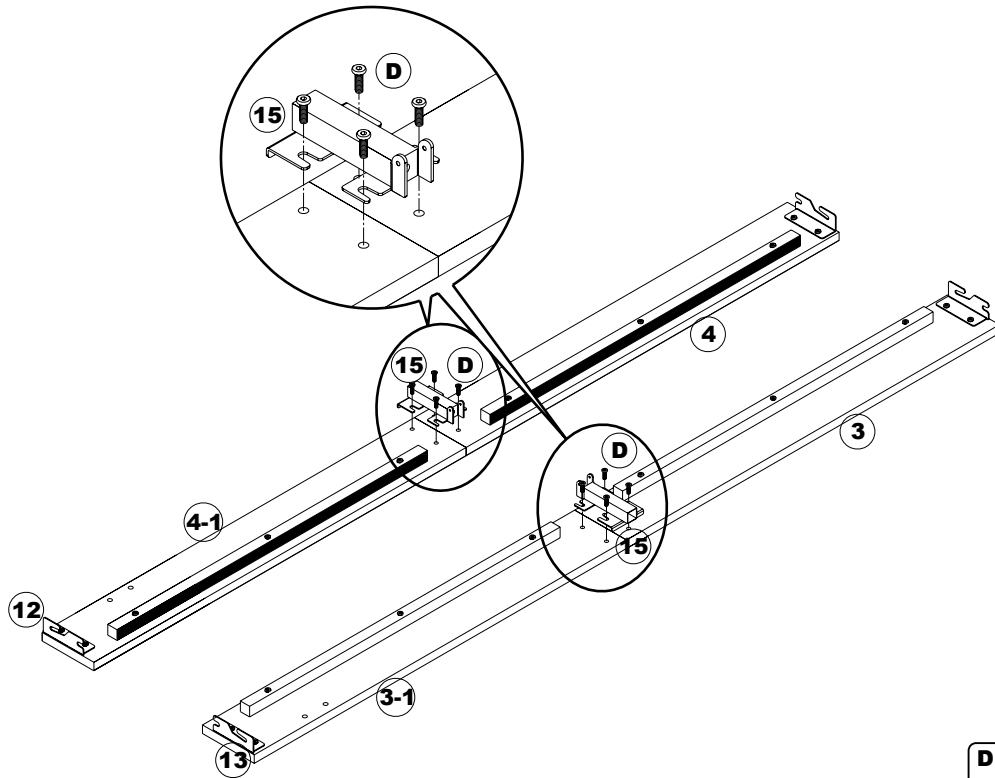
ASSEMBLY INSTRUCTIONS

3



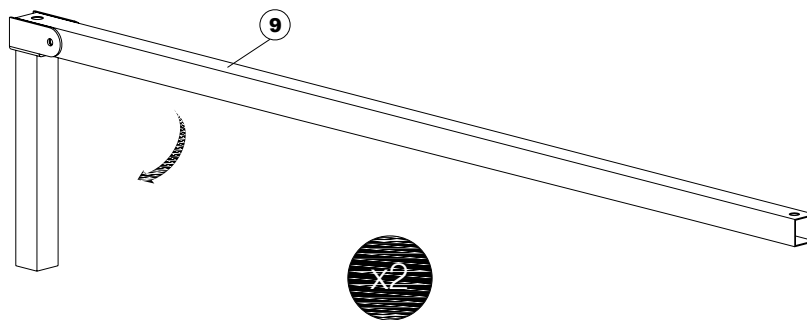
ASSEMBLY INSTRUCTIONS

4



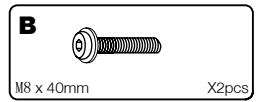
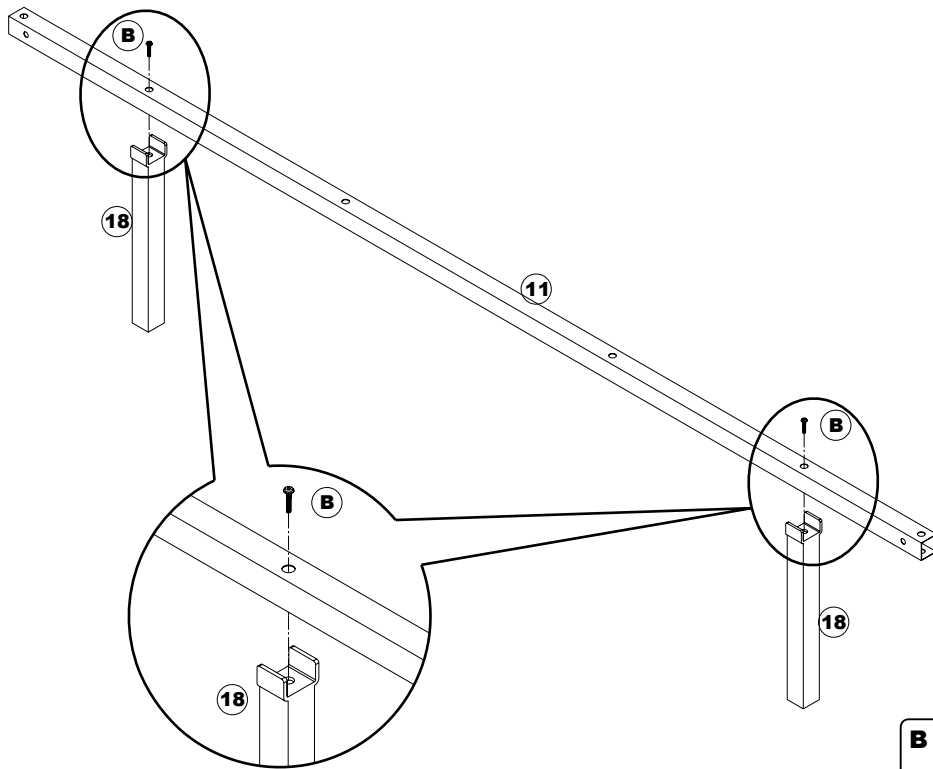
5

WARNING!
Moving parts can crush or cut.
Keep fingers, hands, and feet away to avoid injury.

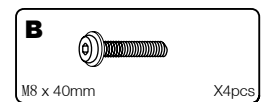
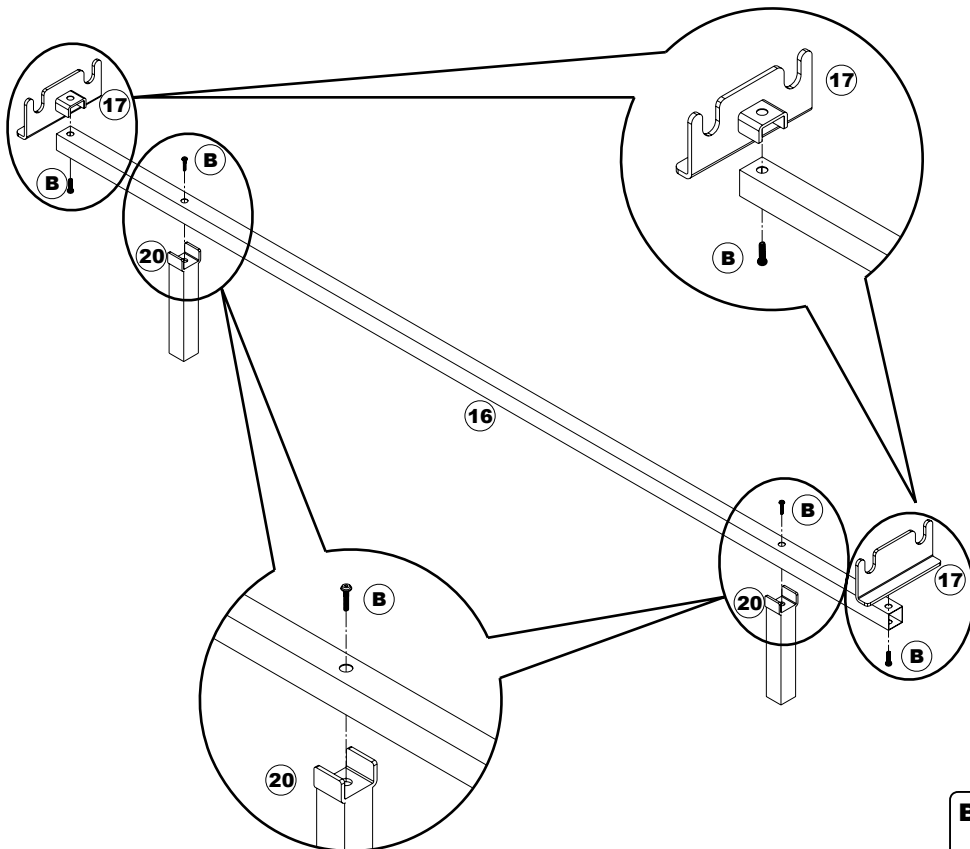


ASSEMBLY INSTRUCTIONS

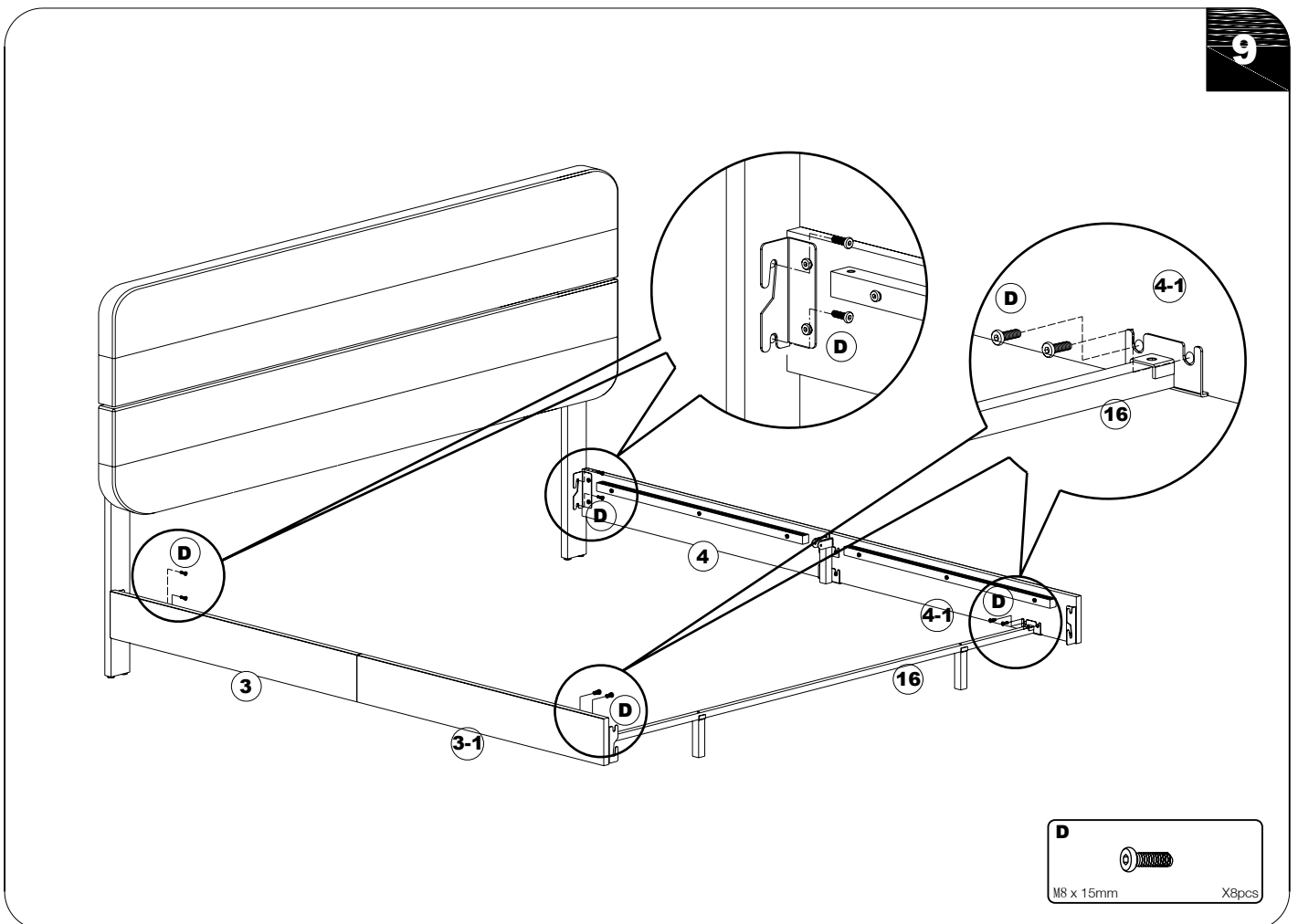
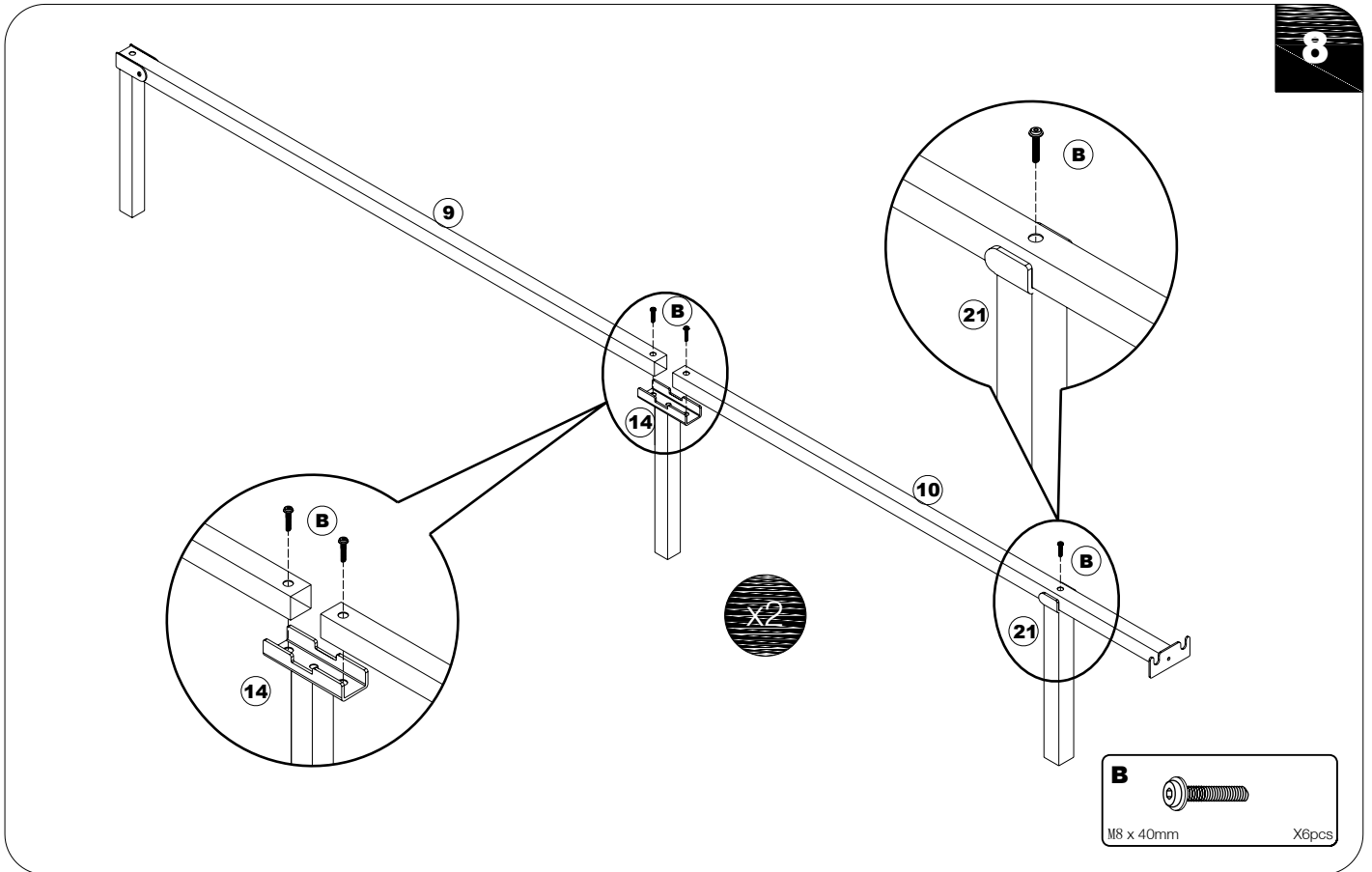
6



7

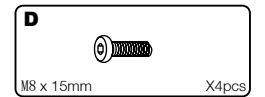
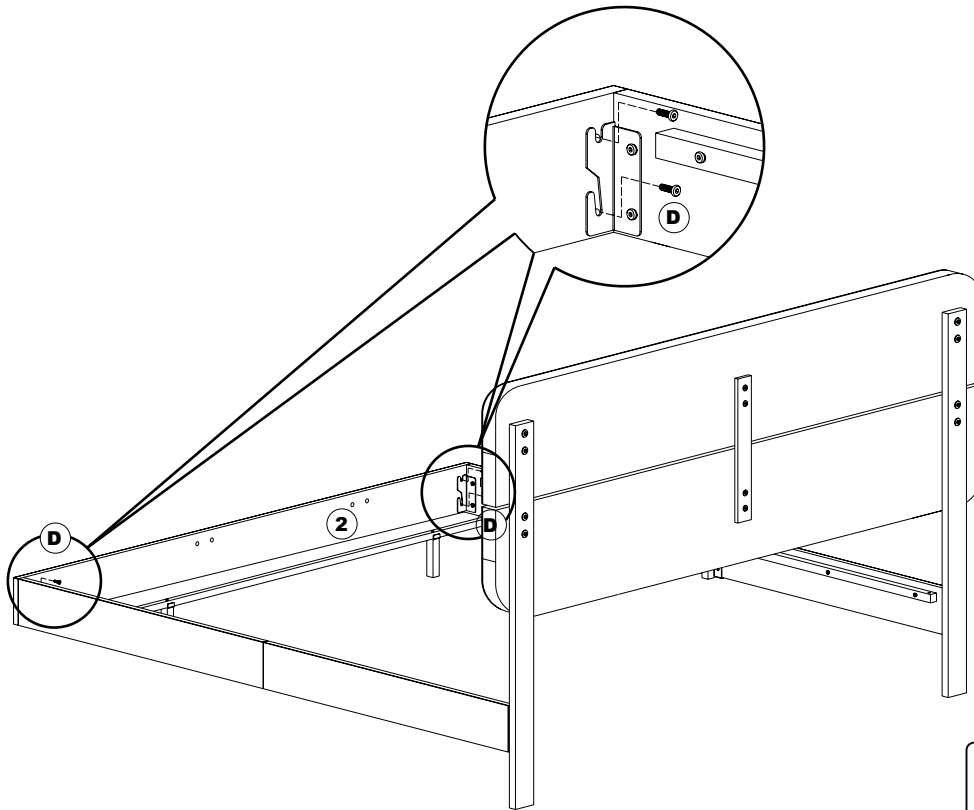


ASSEMBLY INSTRUCTIONS

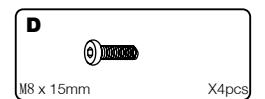
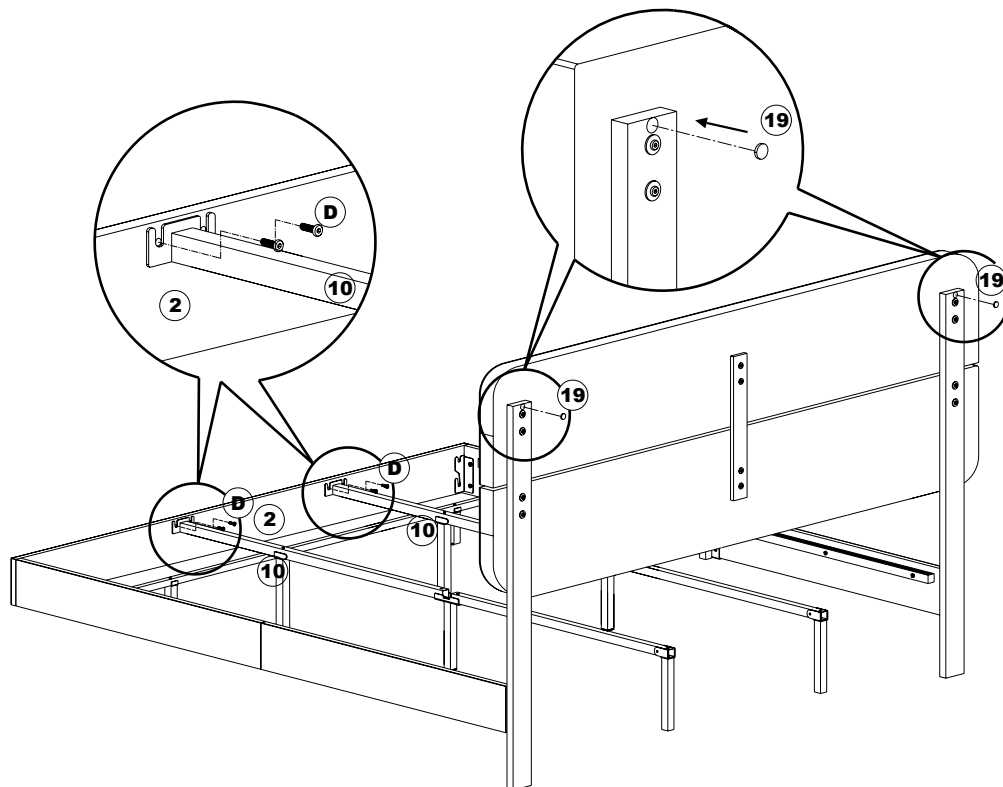


ASSEMBLY INSTRUCTIONS

10

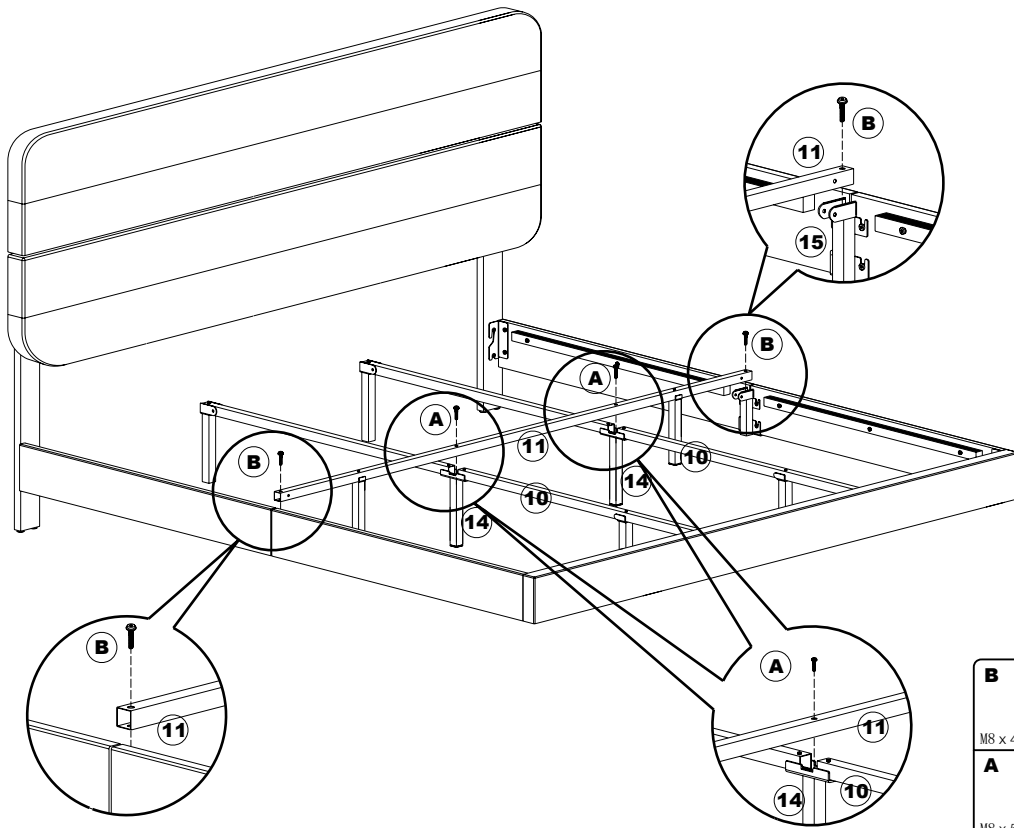


11



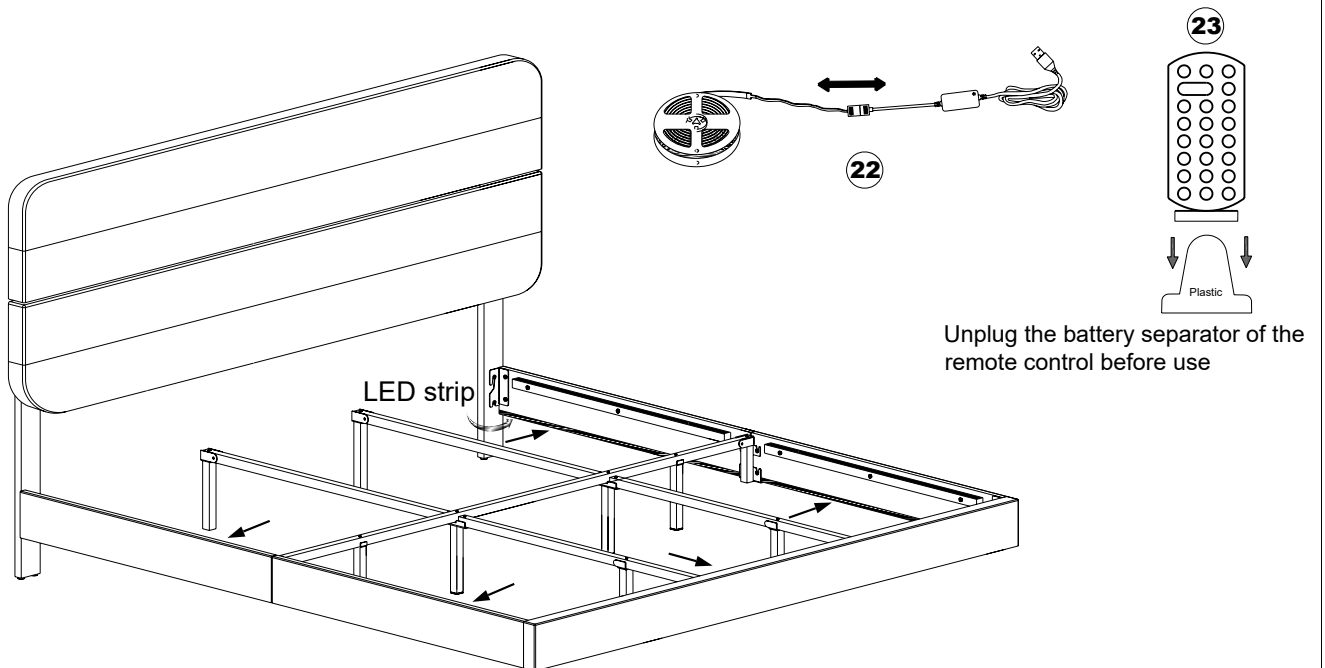
ASSEMBLY INSTRUCTIONS

12



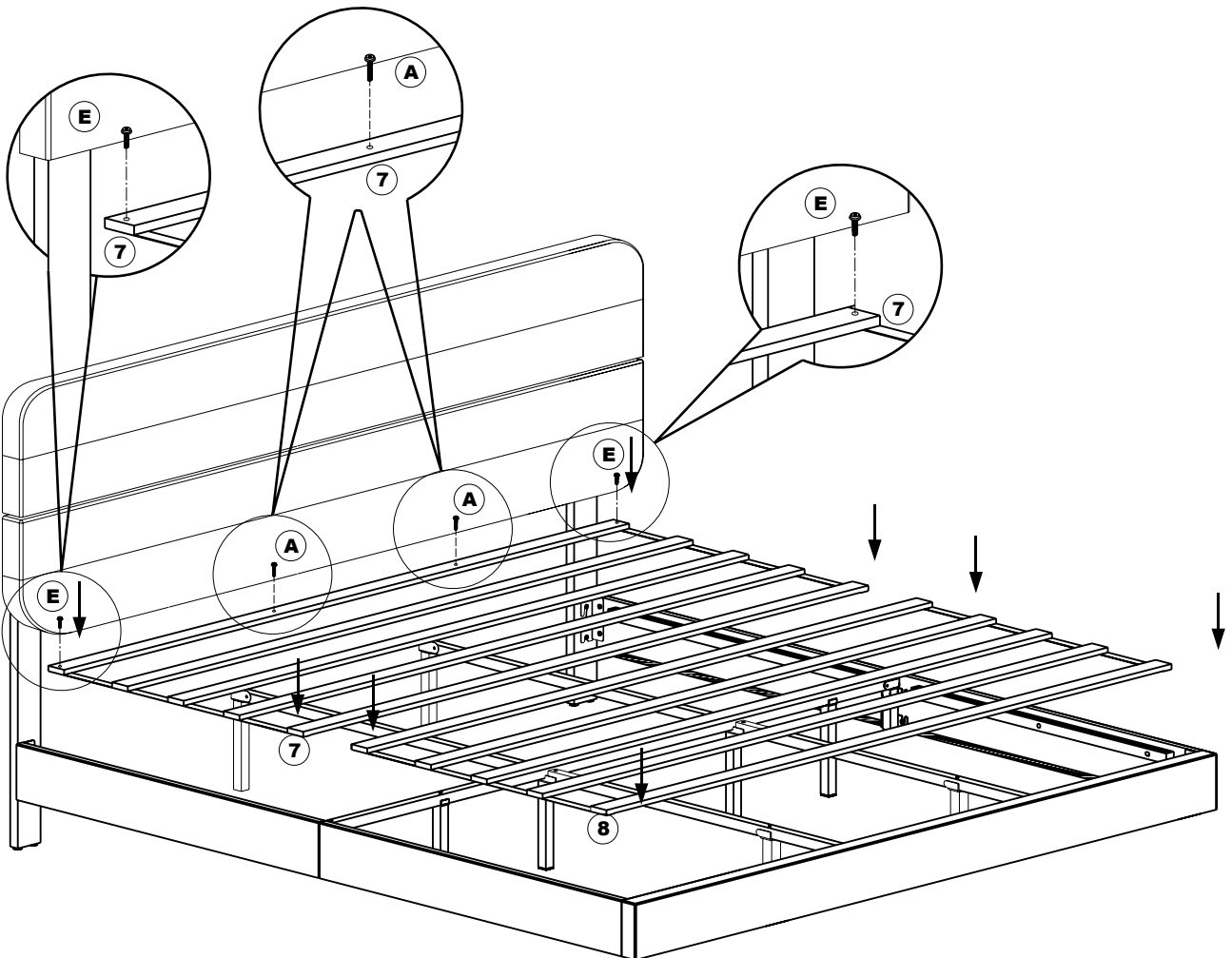
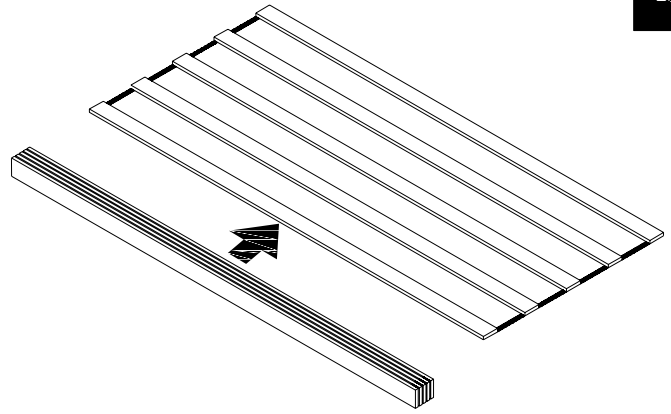
13



Attach the LED strip to the back of the bed frame as per diagram.



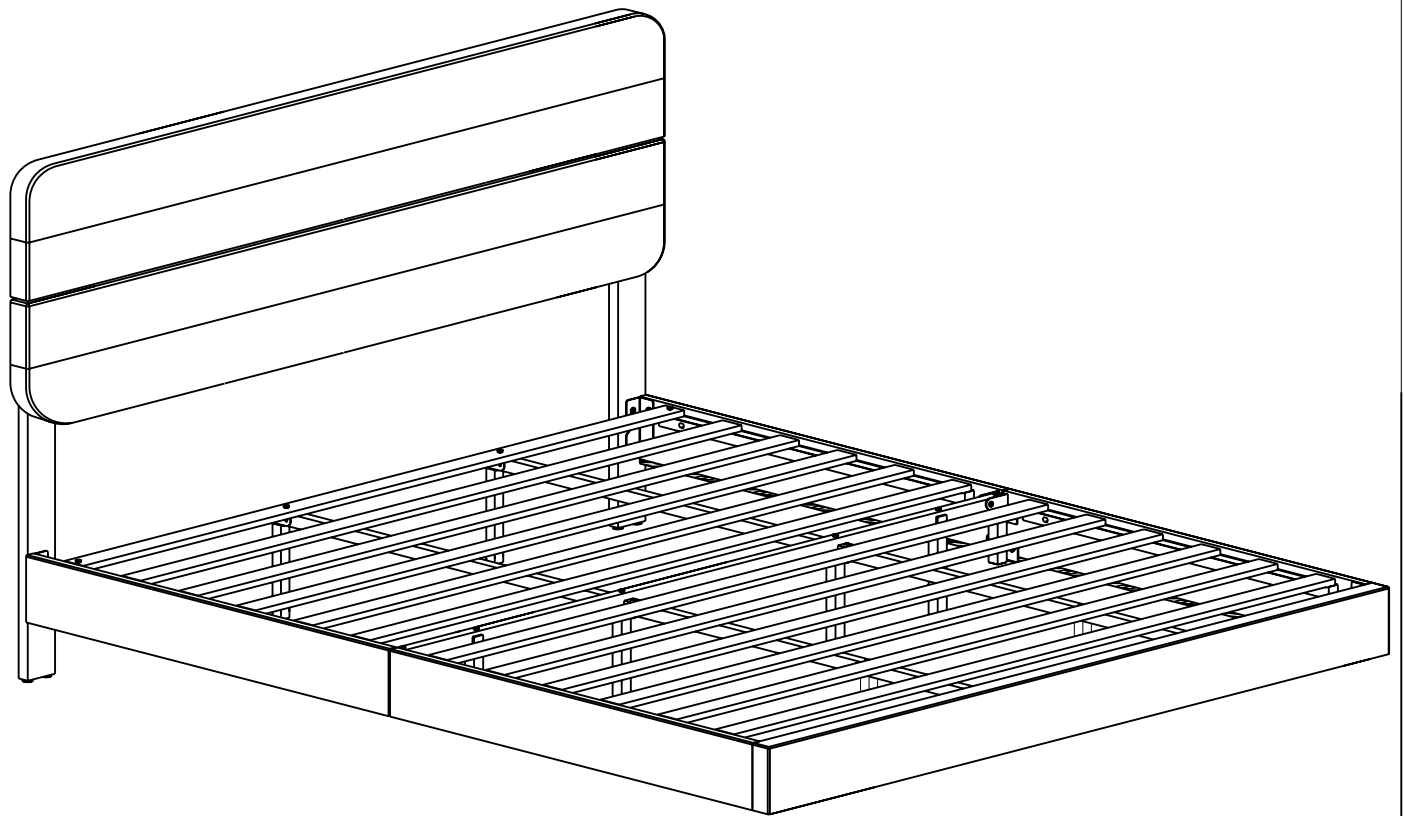
ASSEMBLY INSTRUCTIONS

14



E		M6 x 25mm	X2pcs
A		M8 x 50mm	X2pcs

ASSEMBLY INSTRUCTIONS



Installation Complete