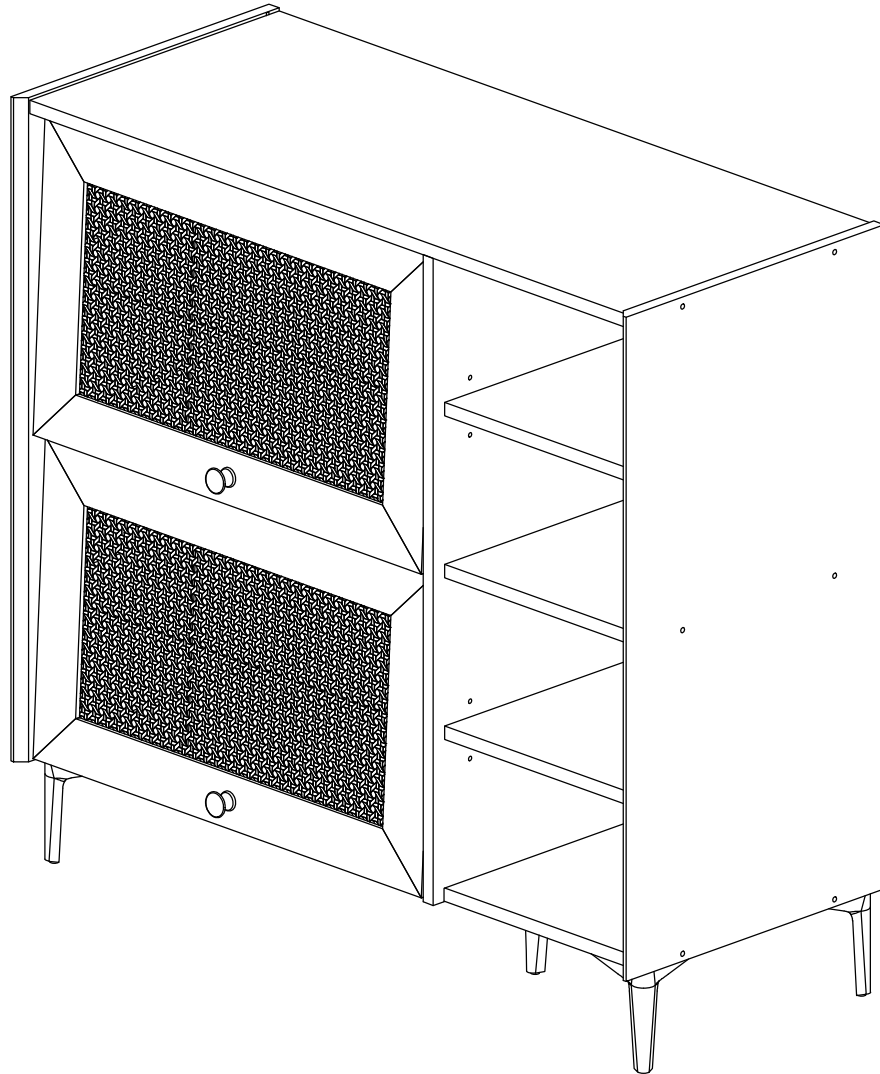


Assembly Instruction

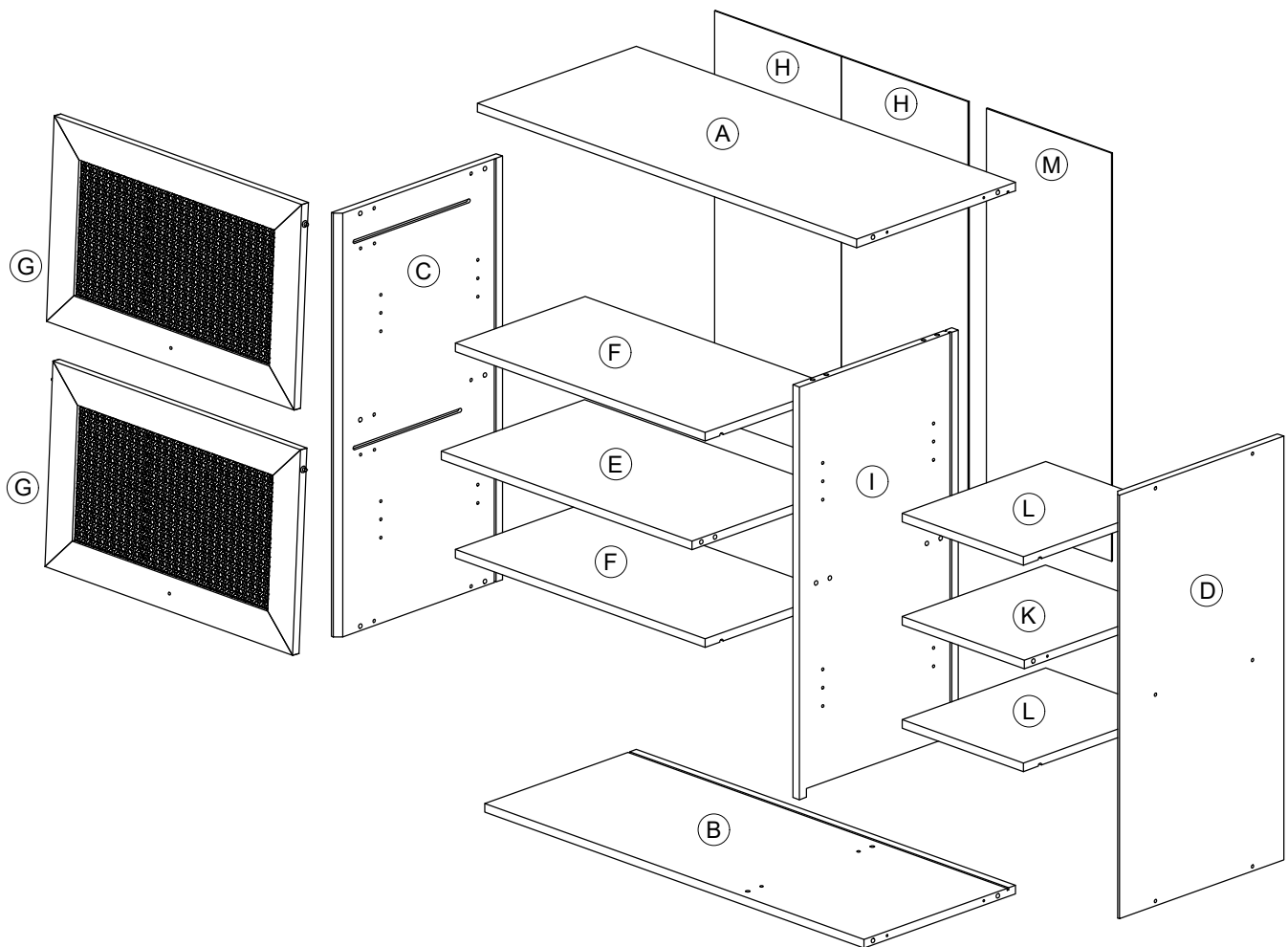
WI14024



Assembly Instruction


Part List








<i>Part List</i>		<i>Qty.</i>
A	Top Panel	1 Pc
B	Bottom Panel-B	1 Pc
C	Side Panel-L	1 Pc
D	Side Panel-R	1 Pc
E	Partition Panel-B	1 Pc
F	Adjust Panel-B	2 Pcs
G	Door	2 Pcs
H	Back Panel-B	2 Pcs
I	Stand Panel	1 Pc
K	Partition Panel-S	1 Pc
L	Adjust Panel-S	2 Pcs
M	Back Panel-S	1 Pc



Assembly Instruction

Hardware List

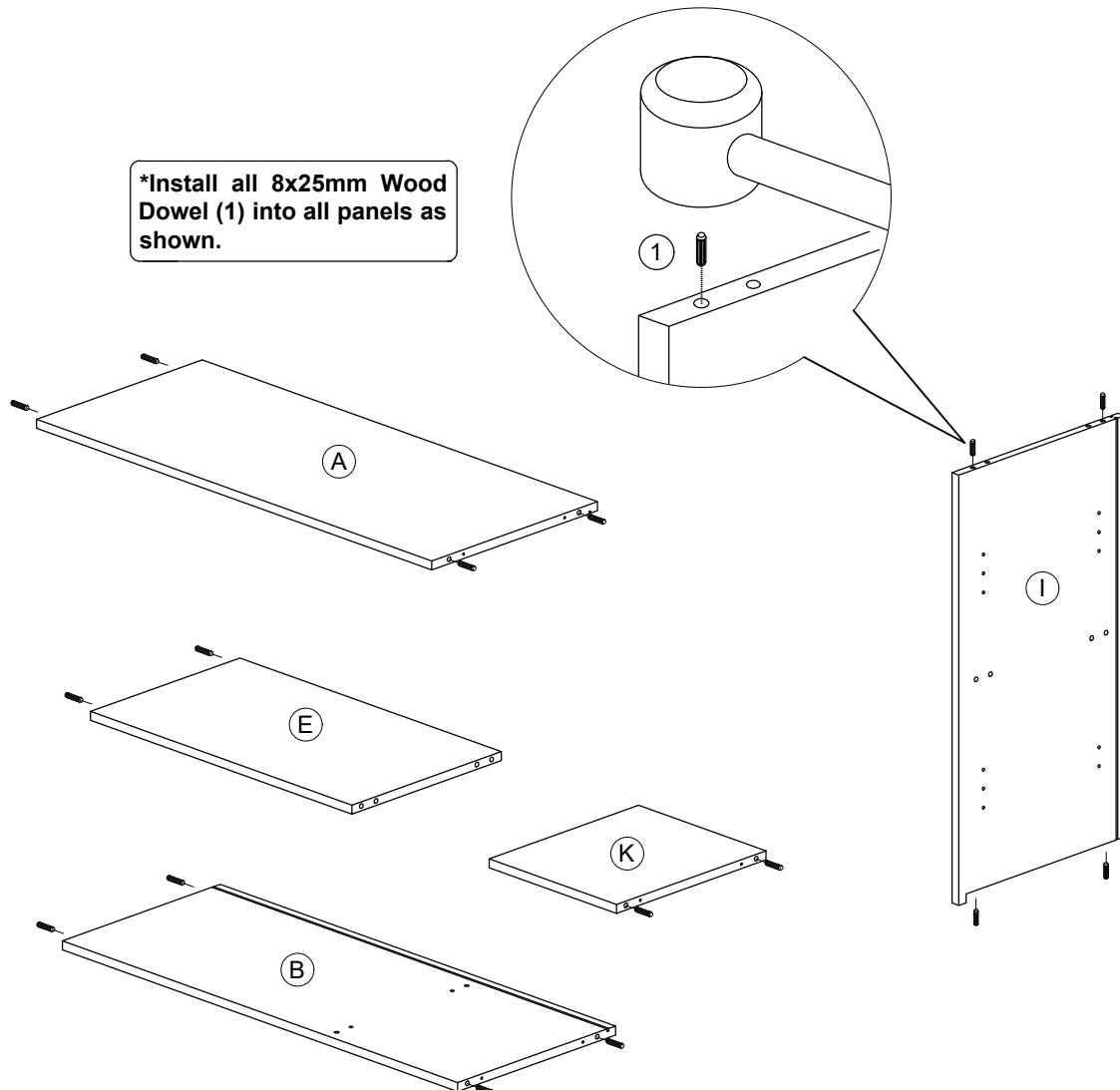
No.	SHAPE	DESCRIPTION	Qty.
1		8x25mm Wood Dowel	16 Pcs
2		M5x40mm Screw	14 Pcs
3		15MM Myfix Minifix	2 Sets
4		8x50mm Wood Dowel	2 Pcs
5		15MM (DOUBLE) 63mm Myfix Minifix	2 Sets
6		Z Bracket	6 Pcs
7		M3x16mm Screw	12 Pcs
8		LG9018 - Metal Leg	5 Pcs
9		M3.5x16mm Screw	20 Pcs

10		Shelf Support	16 Pcs
11		Door Support Metal	4 Pcs
12		2 Pin Stopper	4 Pcs
13		Nail	9 Pcs
14		HD8015 / Handle OS-9200	2 Pcs
15		M4x30mm Screw	2 Pcs
16		Screw Cap	12 Pcs

Packing Tipping Restraint

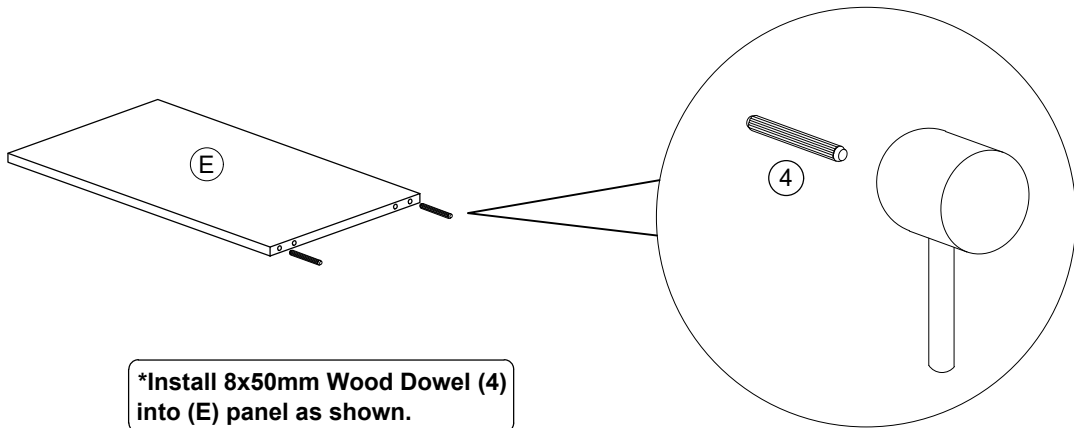
17		M3.5x15mm Screw	2Pcs
18		Wall Plug	2Pcs
19		M4x30mm Screw	2Pcs
20		Safety Strap	2Pcs
21		Flat Washer 6x13x1mm	4Pcs

STEP 1

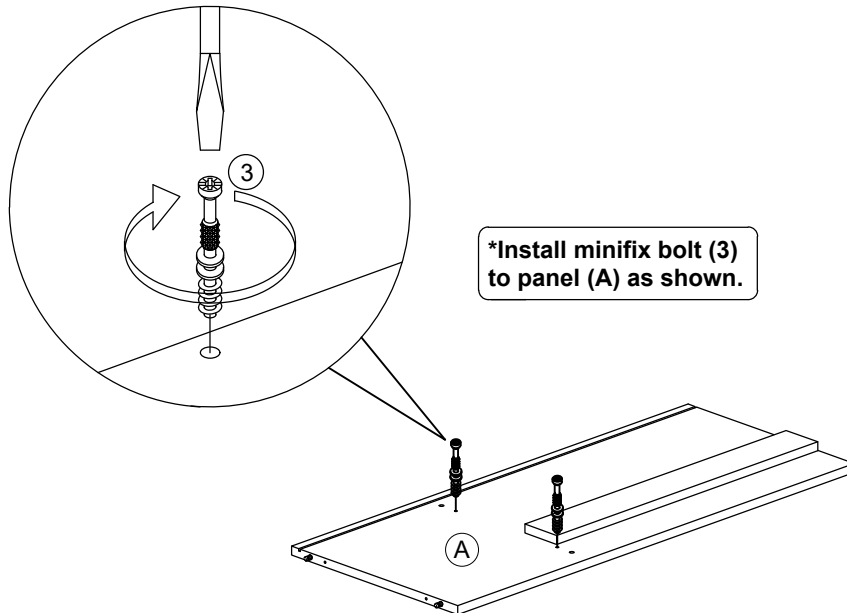


Assembly Instruction

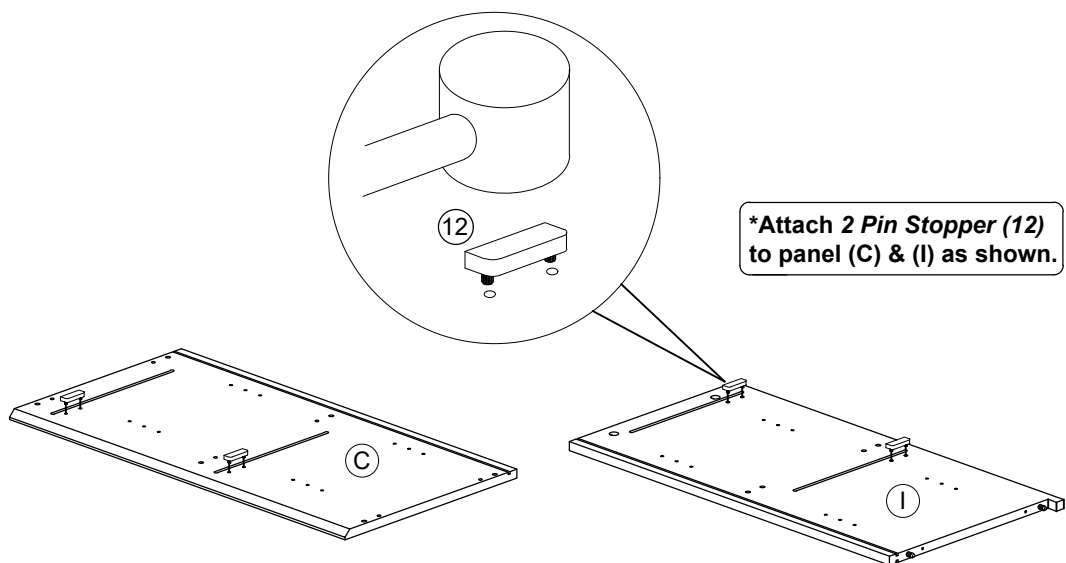
STEP 2



STEP 3

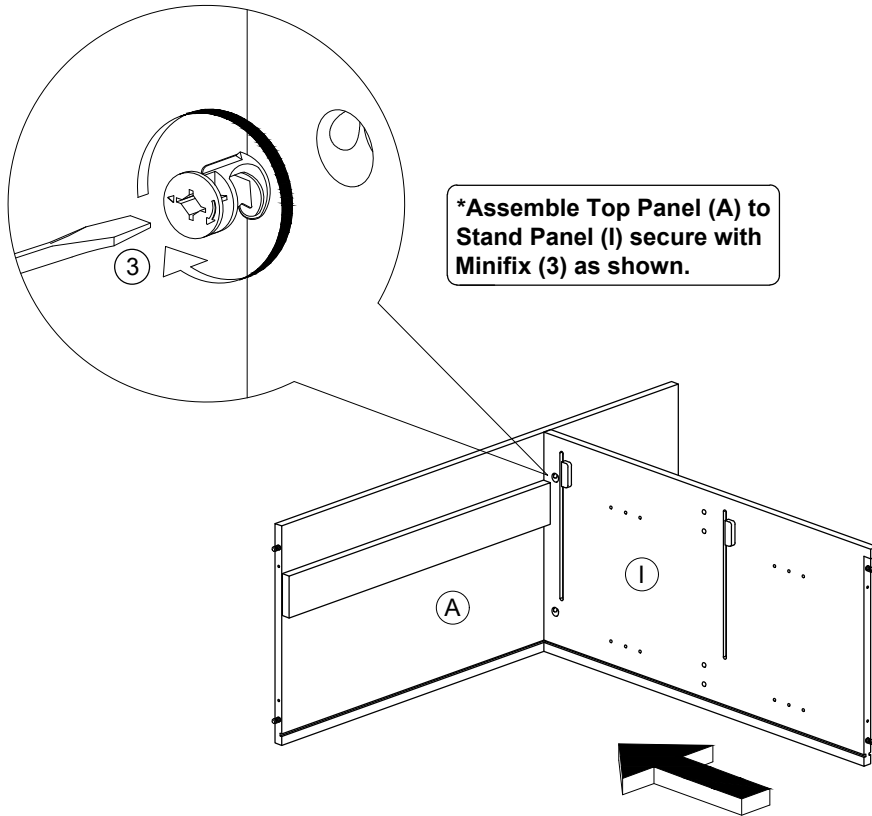


STEP 4

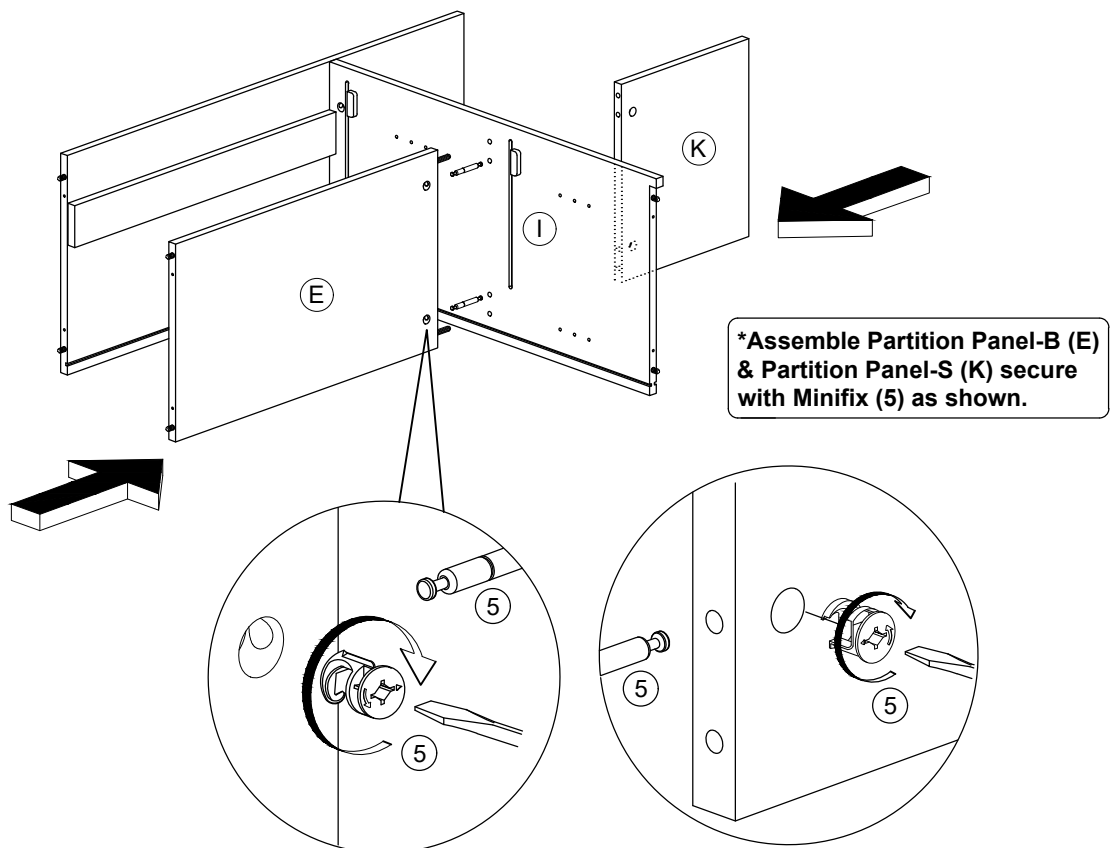


Assembly Instruction

STEP 5

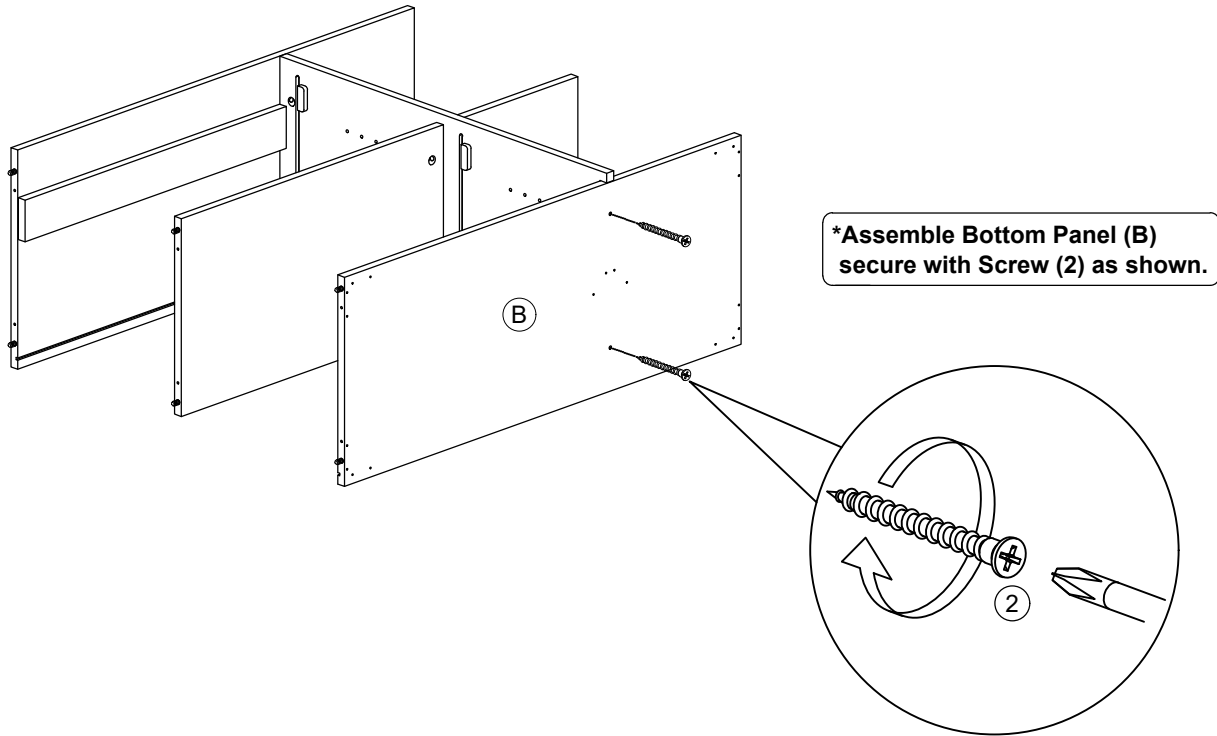


STEP 6

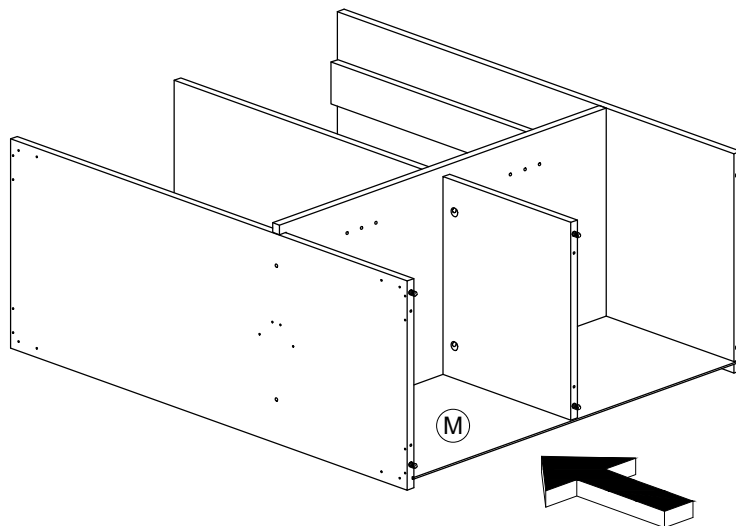


Assembly Instruction

STEP 7



STEP 8

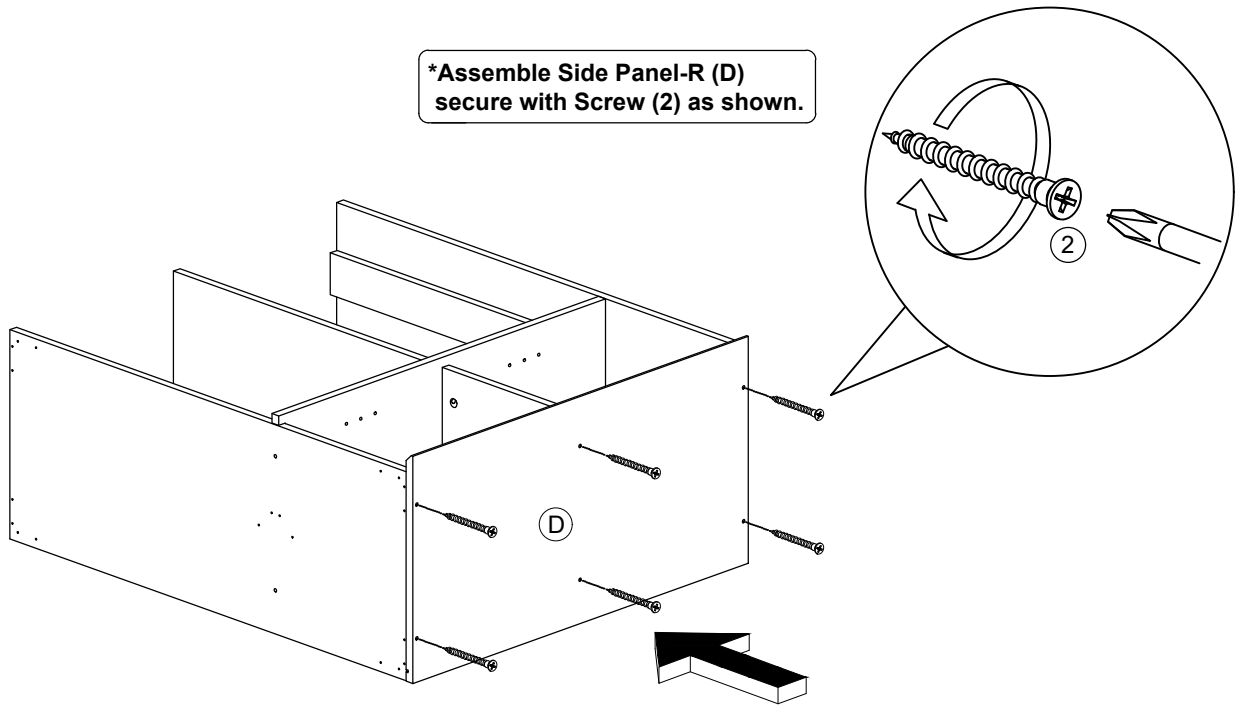


***Insert Back Panel-S (M) as shown.**

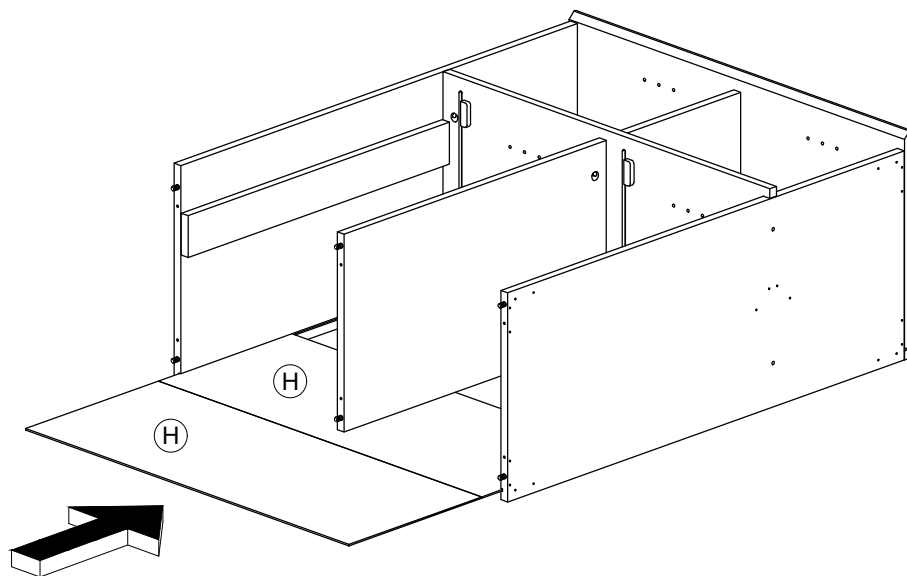
Assembly Instruction

STEP 9

*Assemble Side Panel-R (D)
secure with Screw (2) as shown.



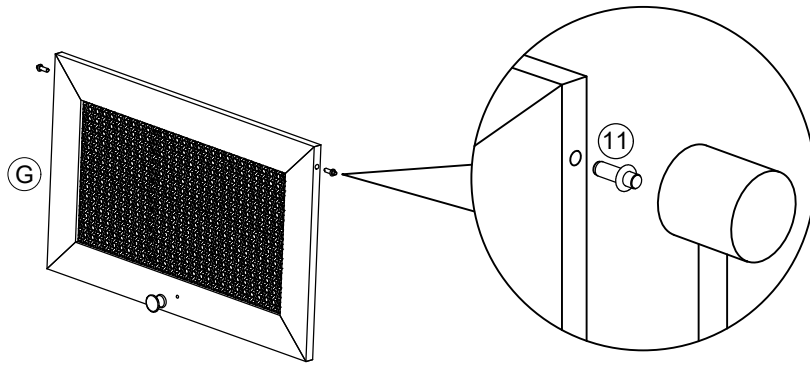
STEP 10



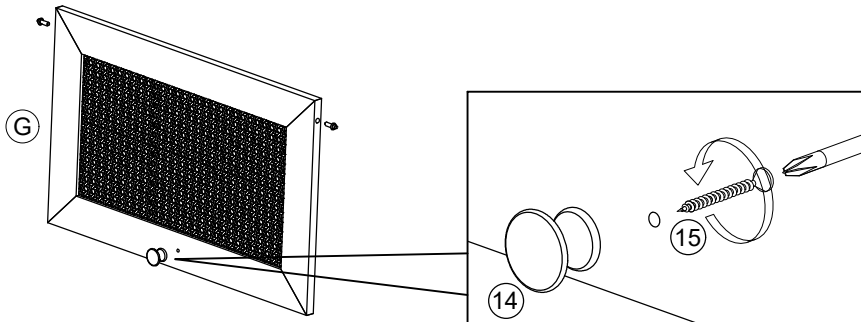
*Insert Back Panel-B (H) as shown.

Assembly Instruction

STEP 11

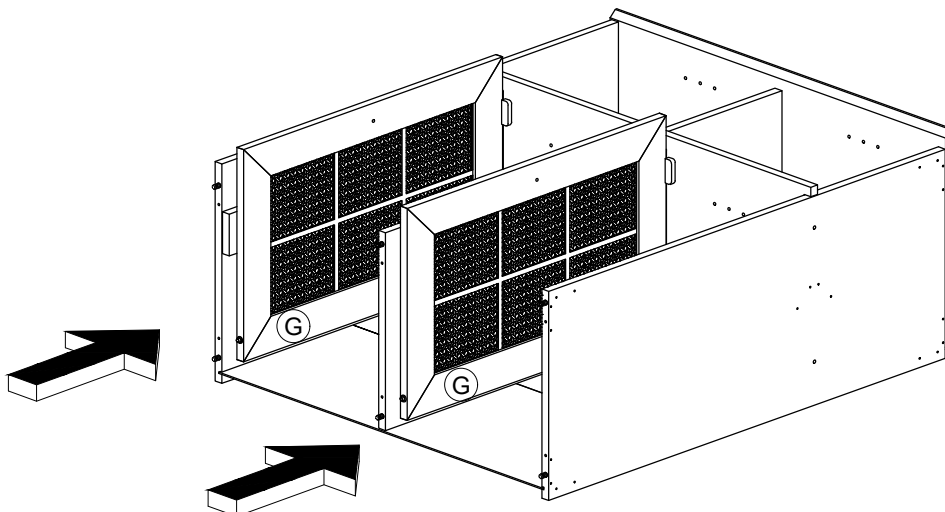


***Install Door Support Metal (11) into Door (G) as shown.**



***Install Handle (14) with Screw (15) as shown.**

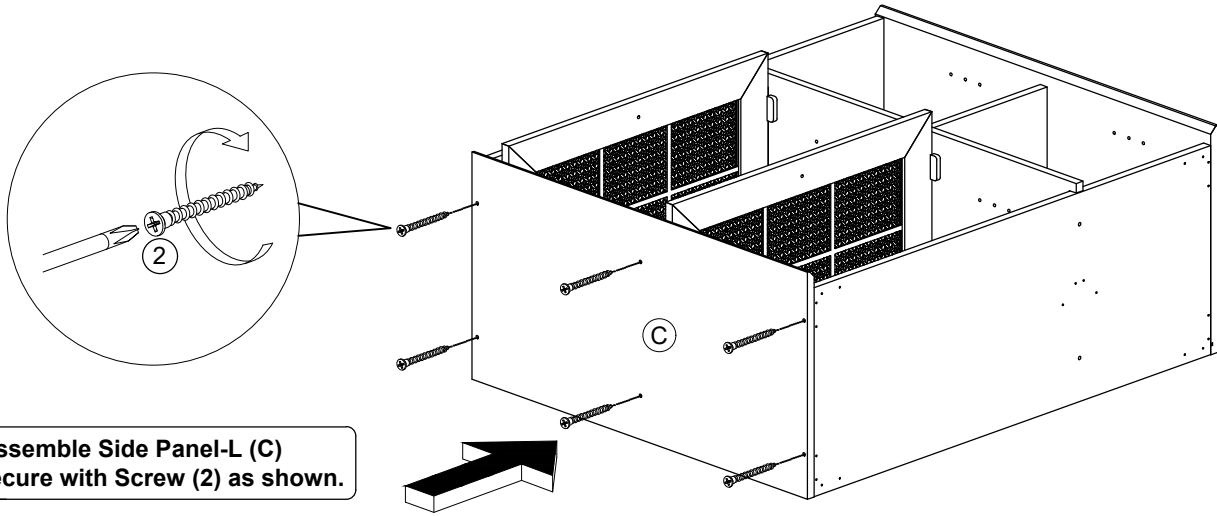
STEP 12



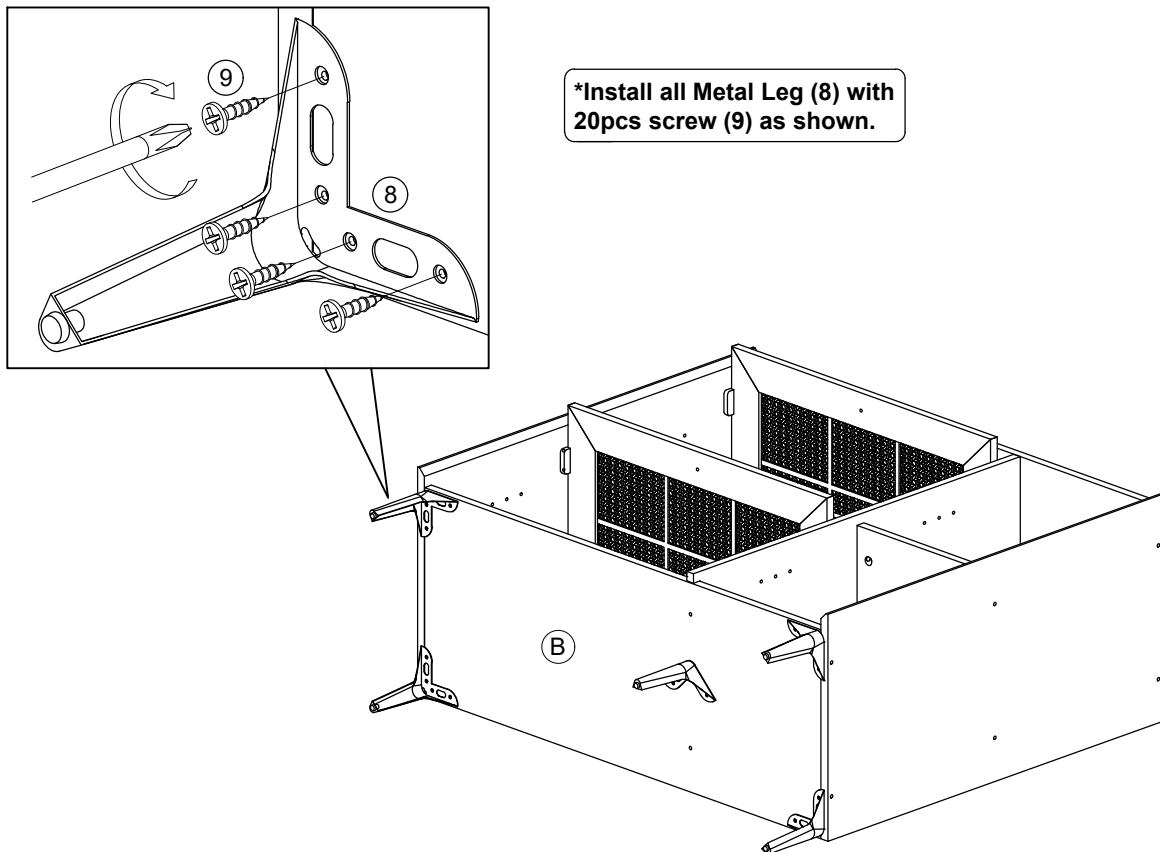
***Insert Door (G) as shown.**

Assembly Instruction

STEP 13



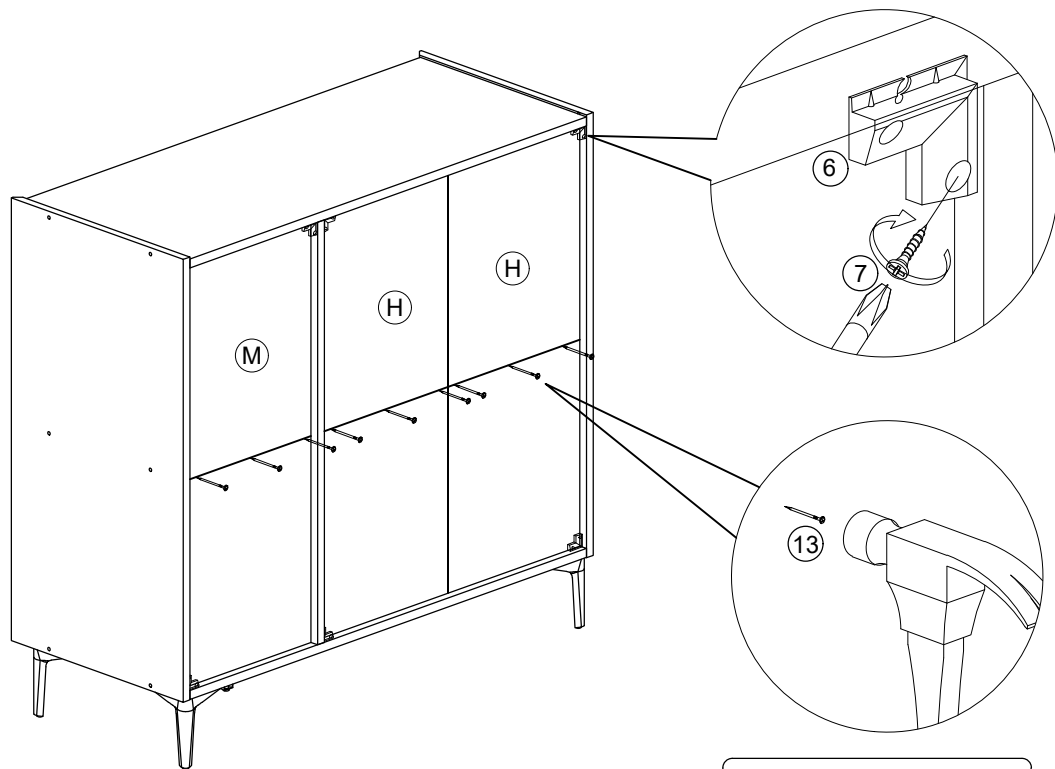
STEP 14



Assembly Instruction

STEP 15

***Install all Z Bracket (6) with 12pcs screw (7) as shown.**

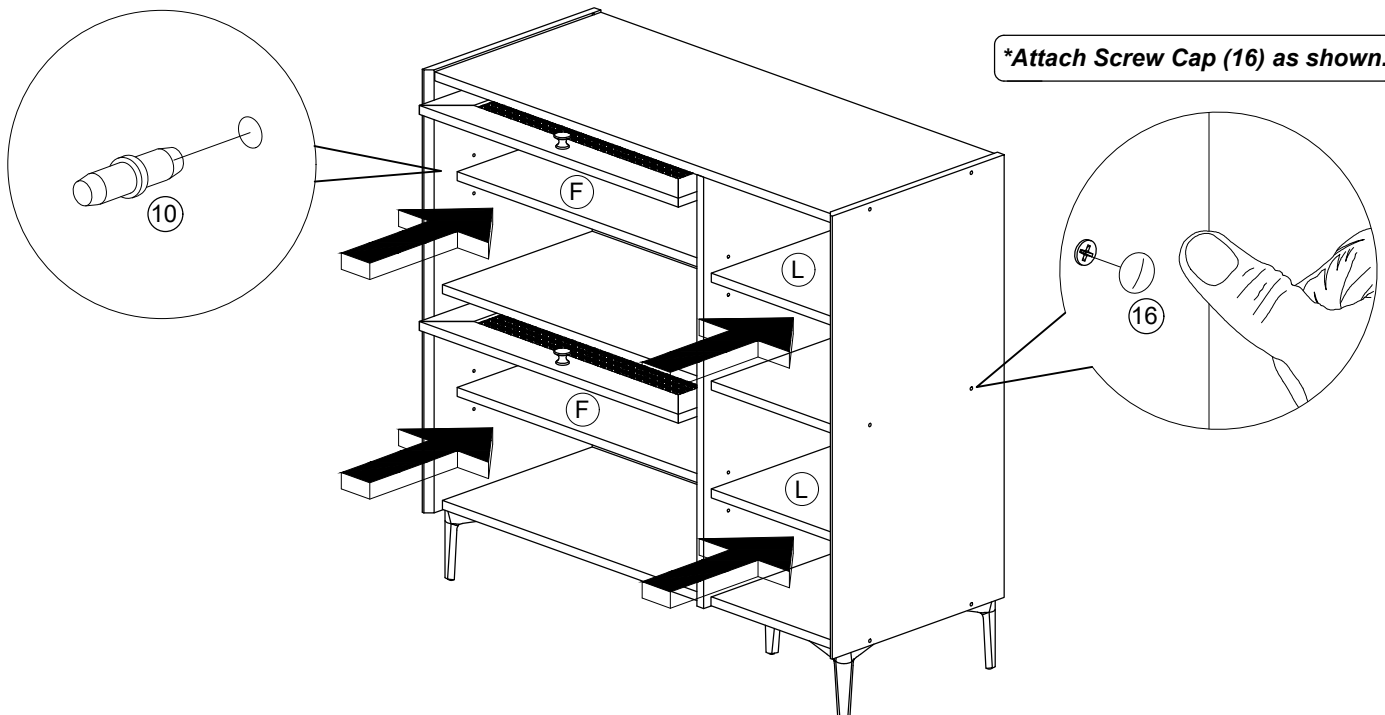


***Install Nail (13) to Back Panel (H) & (M) as shown.**

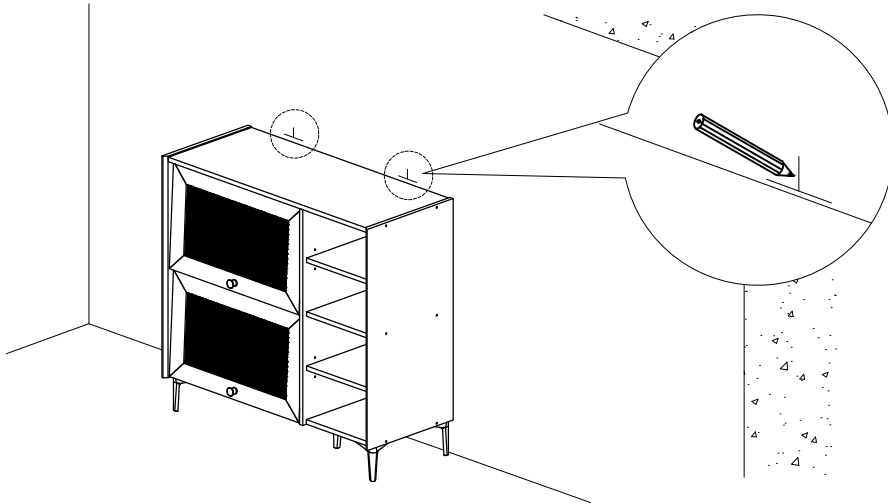
STEP 16

***Attach Shelf Support (10) to all panels as shown.**

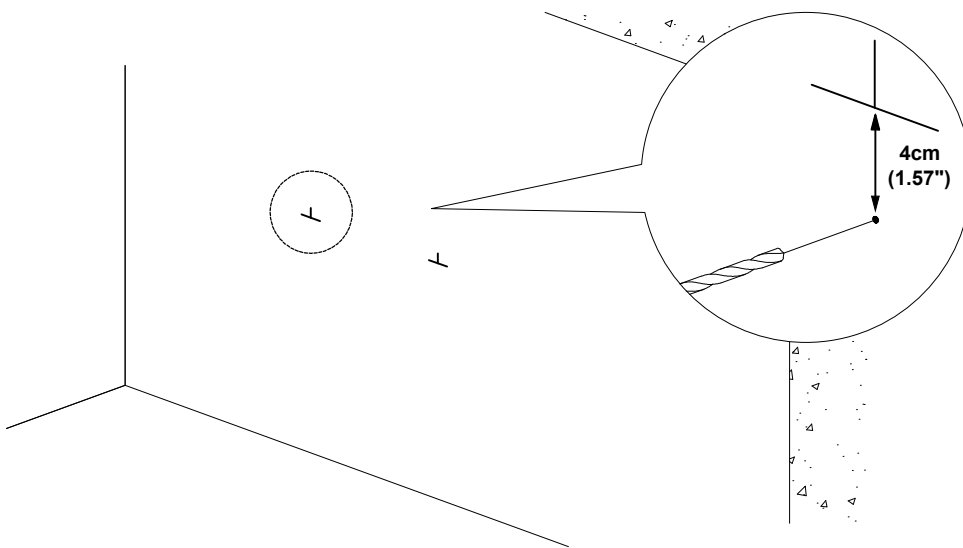
***Attach Screw Cap (16) as shown.**



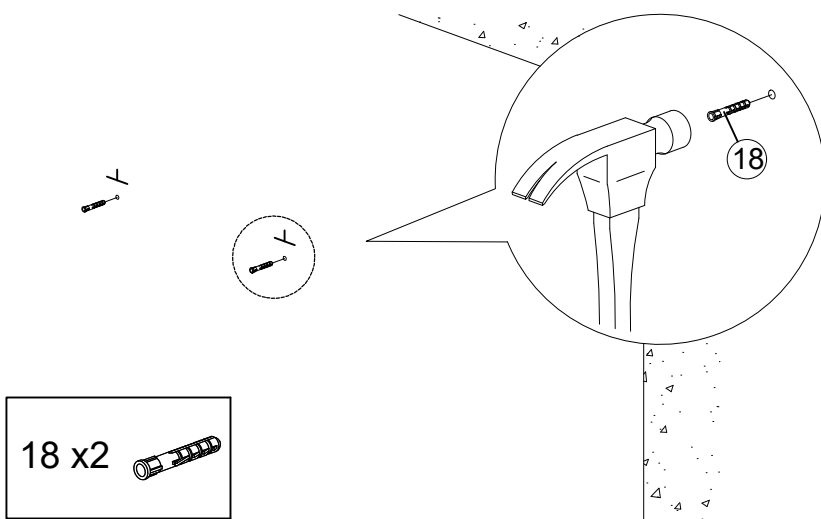
FURNITURE TIPPING RESTRAINT



1. First mark the wall with pencil as in diagram.

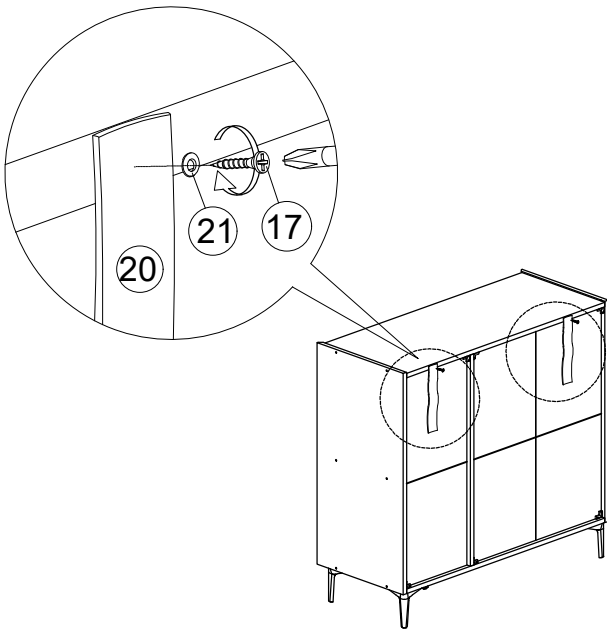


2. Drill small hole at the pencil mark.

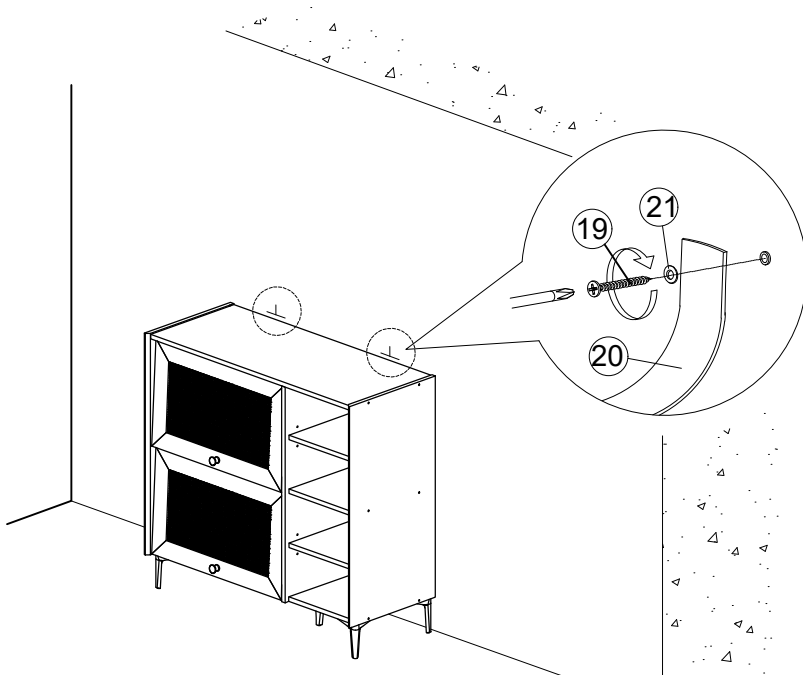
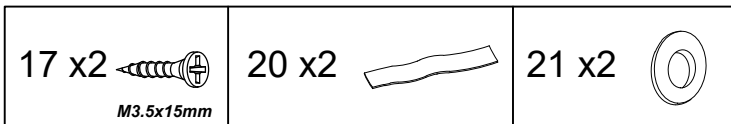


3. Insert plastic wall plug (18).

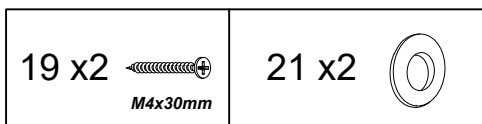
FURNITURE TIPPING RESTRAINT



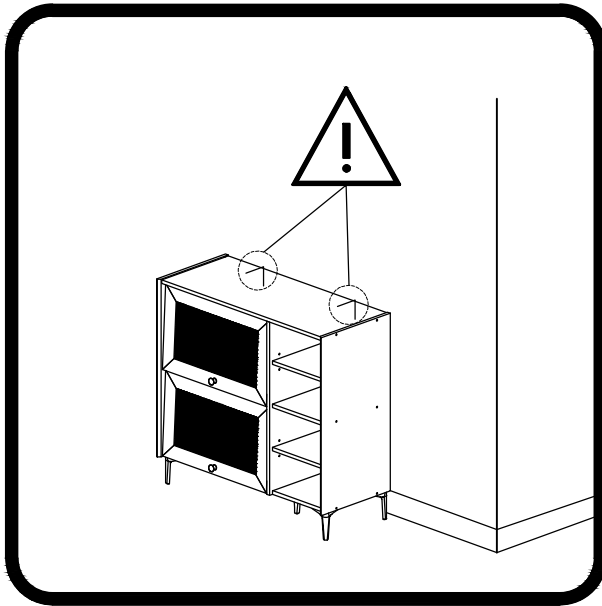
4. Add safety strap (20), washer (21) using 3.5x15mm screw (17) to back of cabinet.




5. Finally, attach safety strap (20) and washer (21) using 4x30mm screw (19) to the wall.



ANTI-TIPPING KIT is provided with the products and it is required for assembly, any accident occurs due to failing to fix the product with Anti-tipping is at your own risk



⚠ WARNING	
	<p>Children have died from furniture tipover. To reduce the risk of furniture tipover :</p> <ul style="list-style-type: none">• ALWAYS install anti-tip device provided.• NEVER put a TV on this product.• NEVER allow children to stand, climb or hang on any drawers, doors, or shelves.• NEVER open more than one drawer at a time.• Place heaviest items in the lowest drawers. <p><i>This is a permanent label. Do not remove!</i></p>
	



Anti-Topple hardware included for added safety and stability