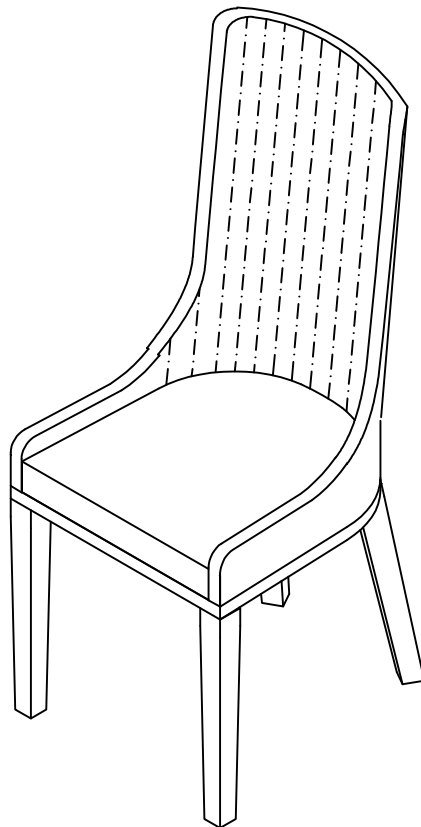



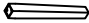


ASSEMBLY INSTRUCTION

Item No.: #SC290-297




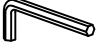


Do not tighten screws until completely assembled.

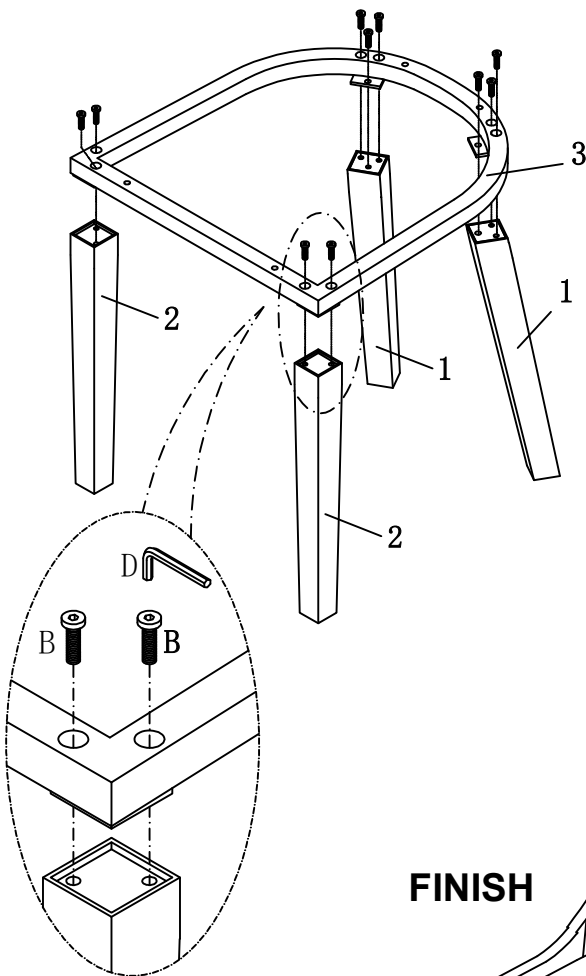
PARTS IDENTIFICATION

NO	Part	Sketch	Q'TY
1	Leg back		2PCS
2	Leg front		2PCS
3	Frame		1PC
4	Seat		1PC

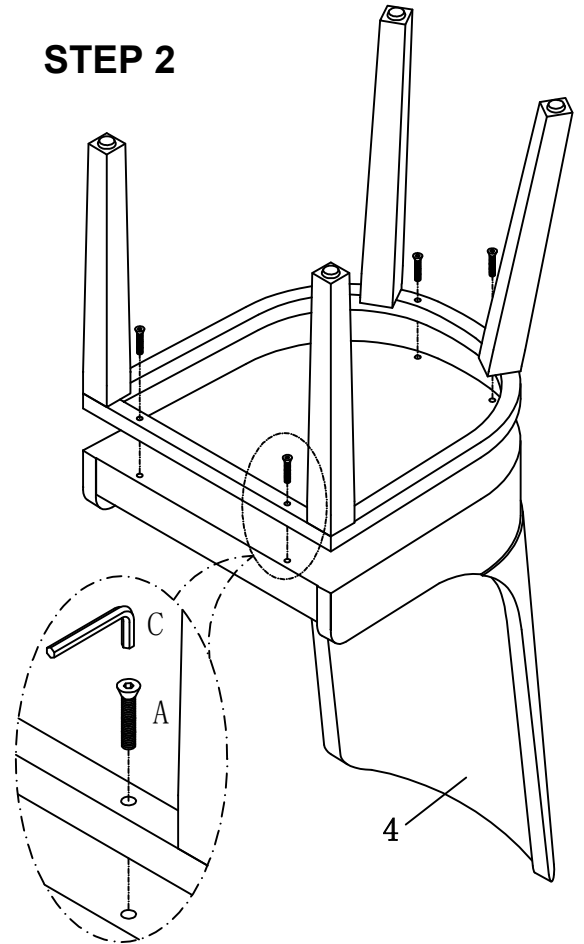
HARDWARE LIST:

NO	Shape	Specification	Q'TY
A		1/4"x50mm Screw	4pcs
B		M8x30mm Screw	10pcs
C		Allen Wrench 4mm	1pc
D		Allen Wrench 5mm	1pc

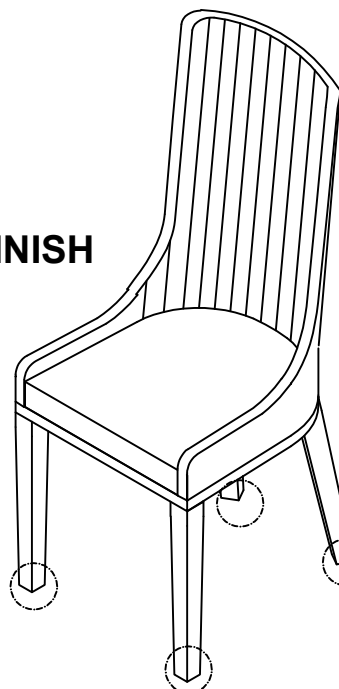
STEP 1



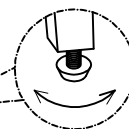
STEP 2



FINISH



Adjust for wobble



Do not tighten screws until completely assembled.