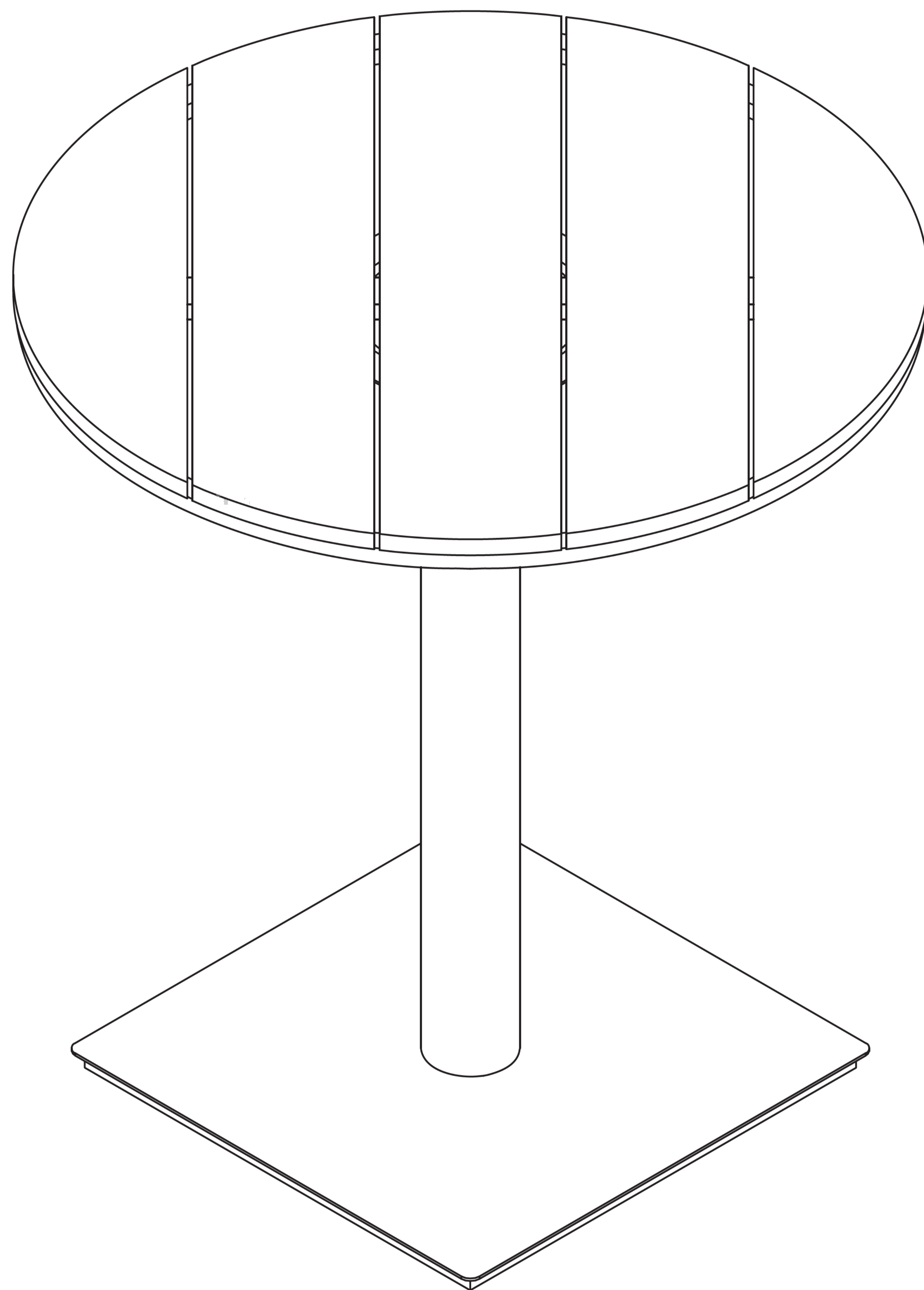


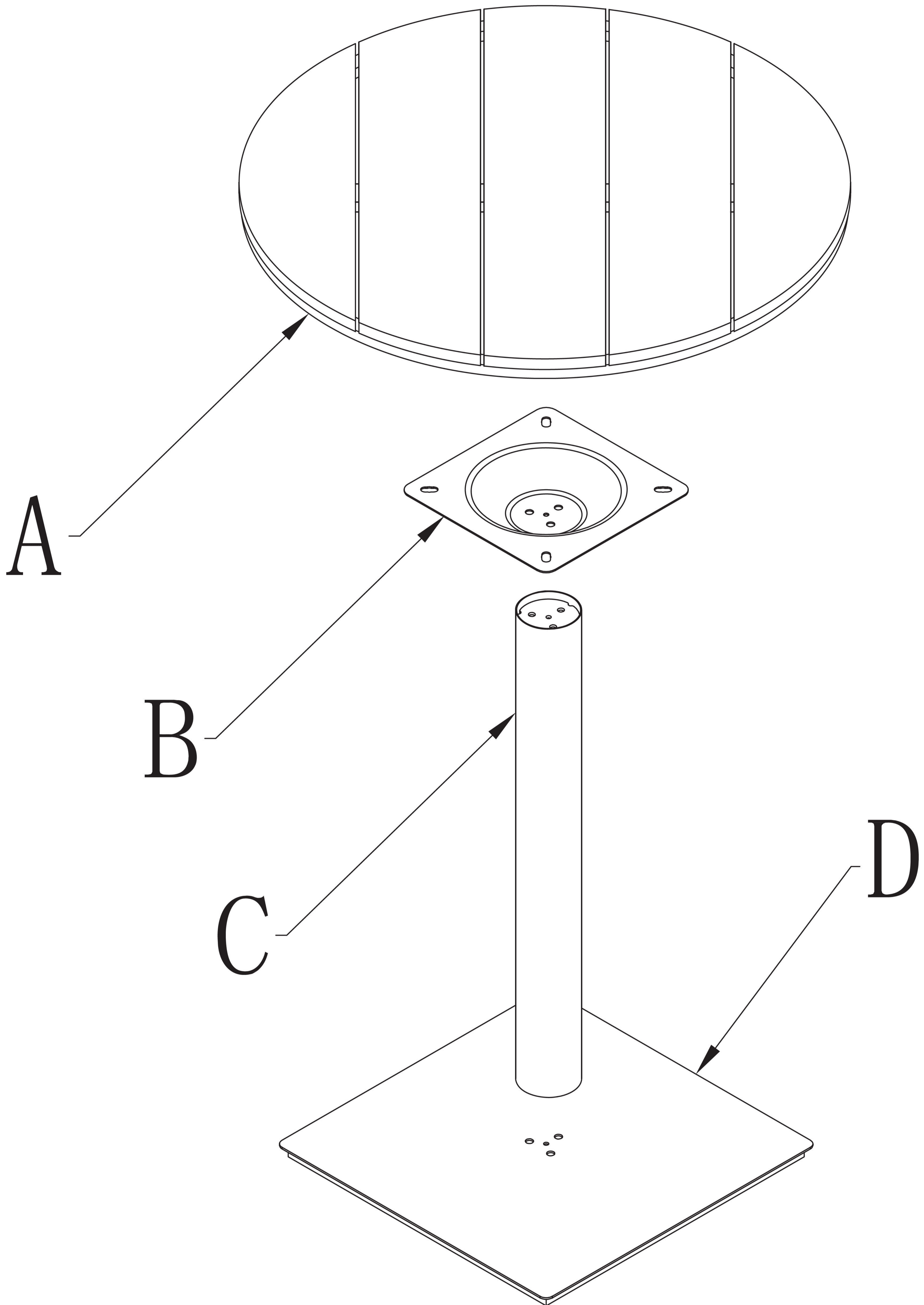
# **Assembly Manual**

## **Outdoor Dining Table**



Please read this manual carefully before any operation and keep it properly for future use.

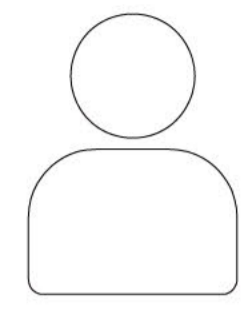
# Exploded View



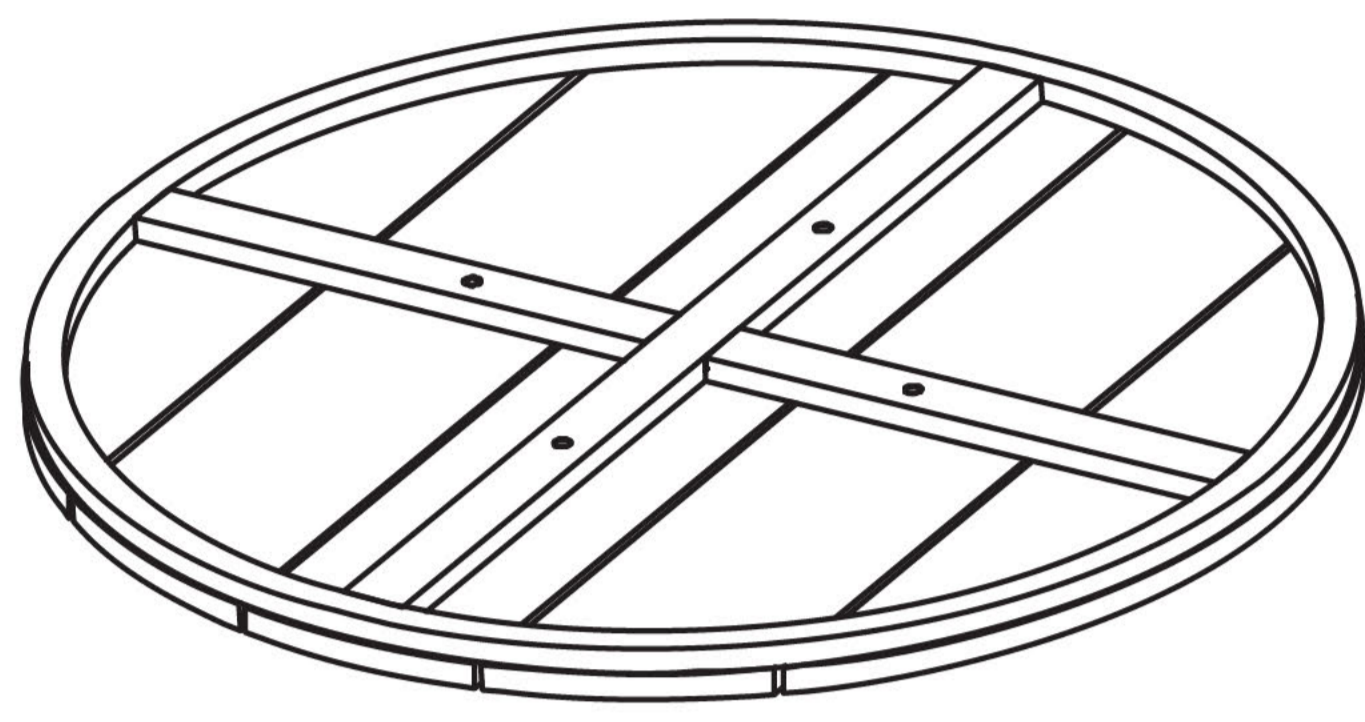
# Components List

**30** min

Assembly Time

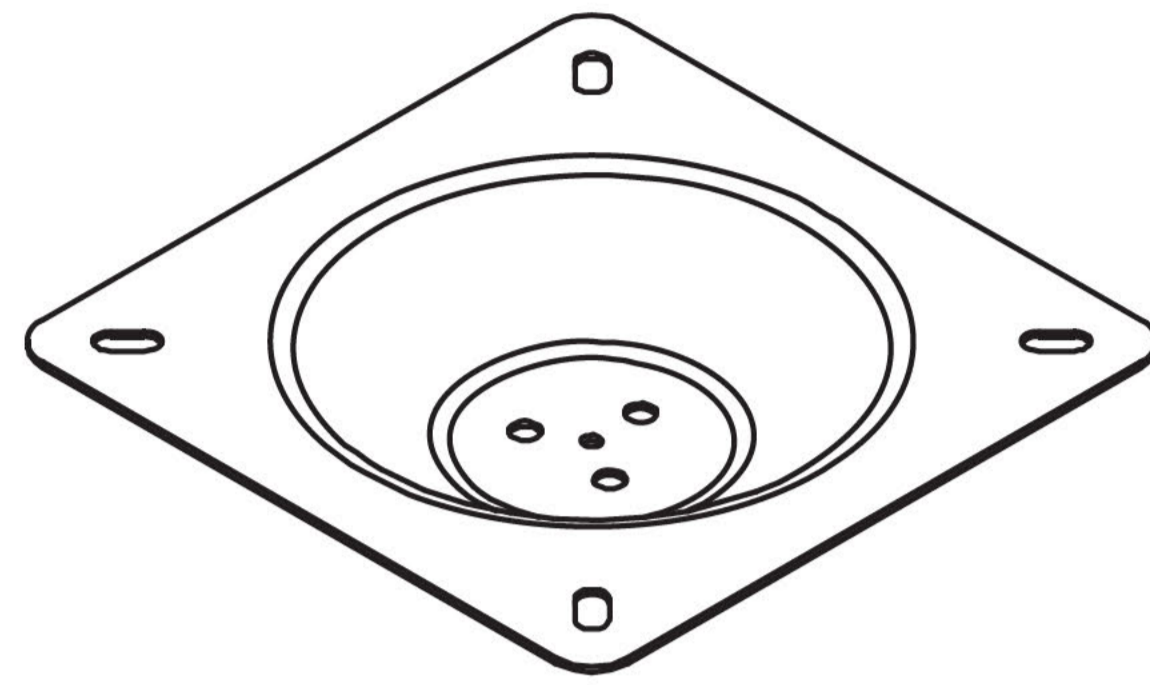


One People



**A**

Table Top (x1)



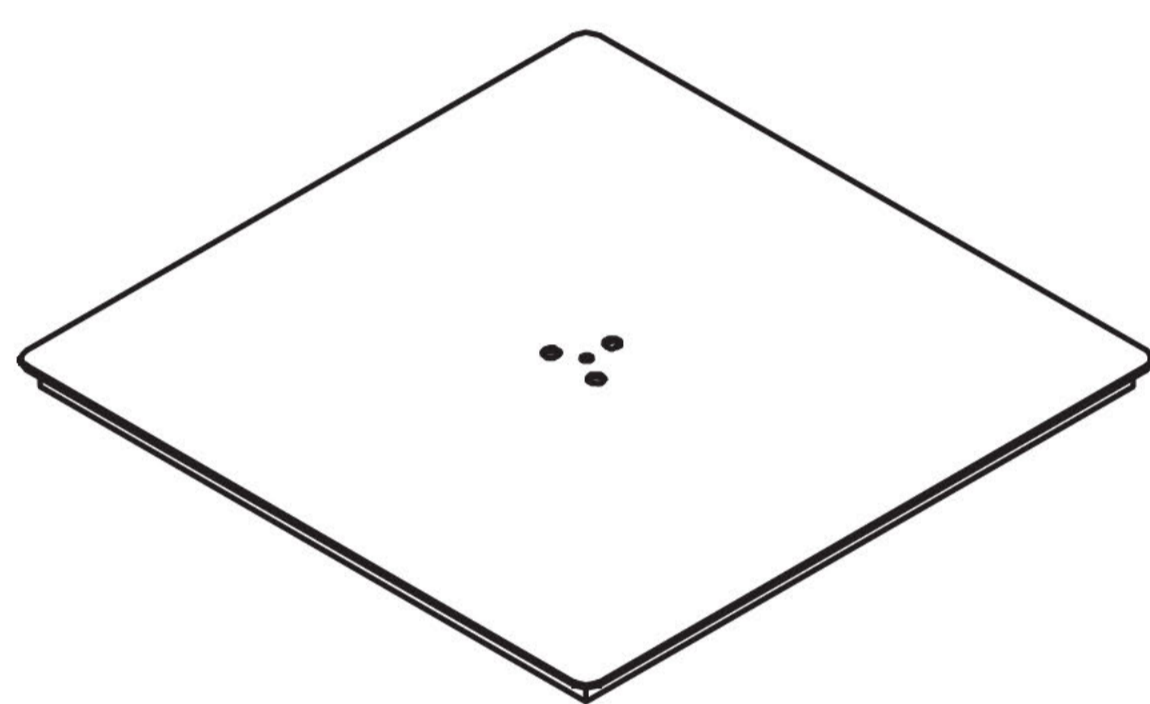
**B**

Table Connector (x1)



**C**

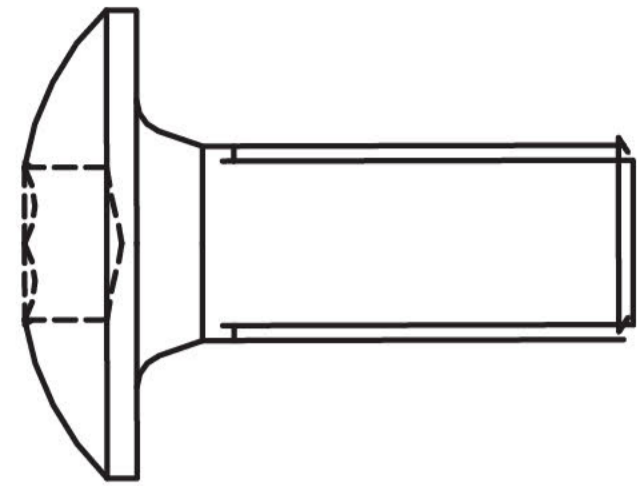
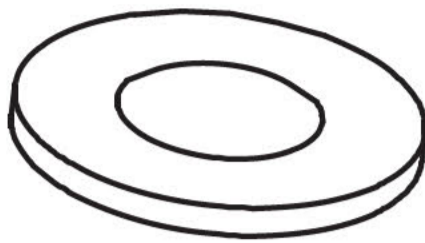
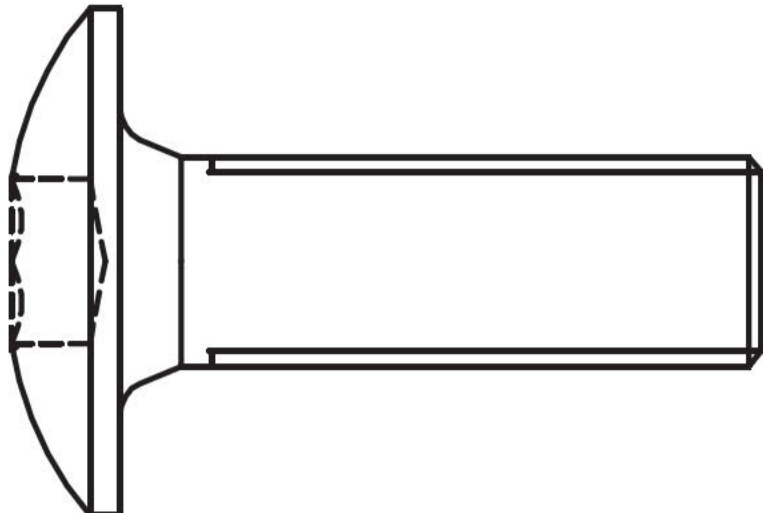
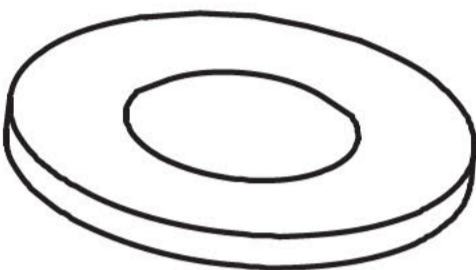
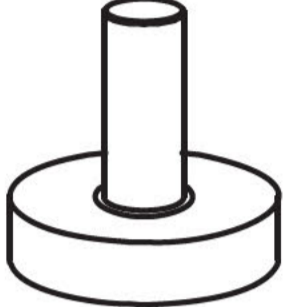


Table Leg (x1)



**D**

Table Base (x1)

# Components list

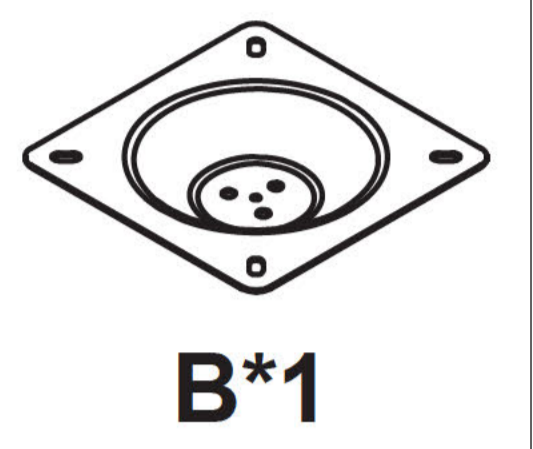
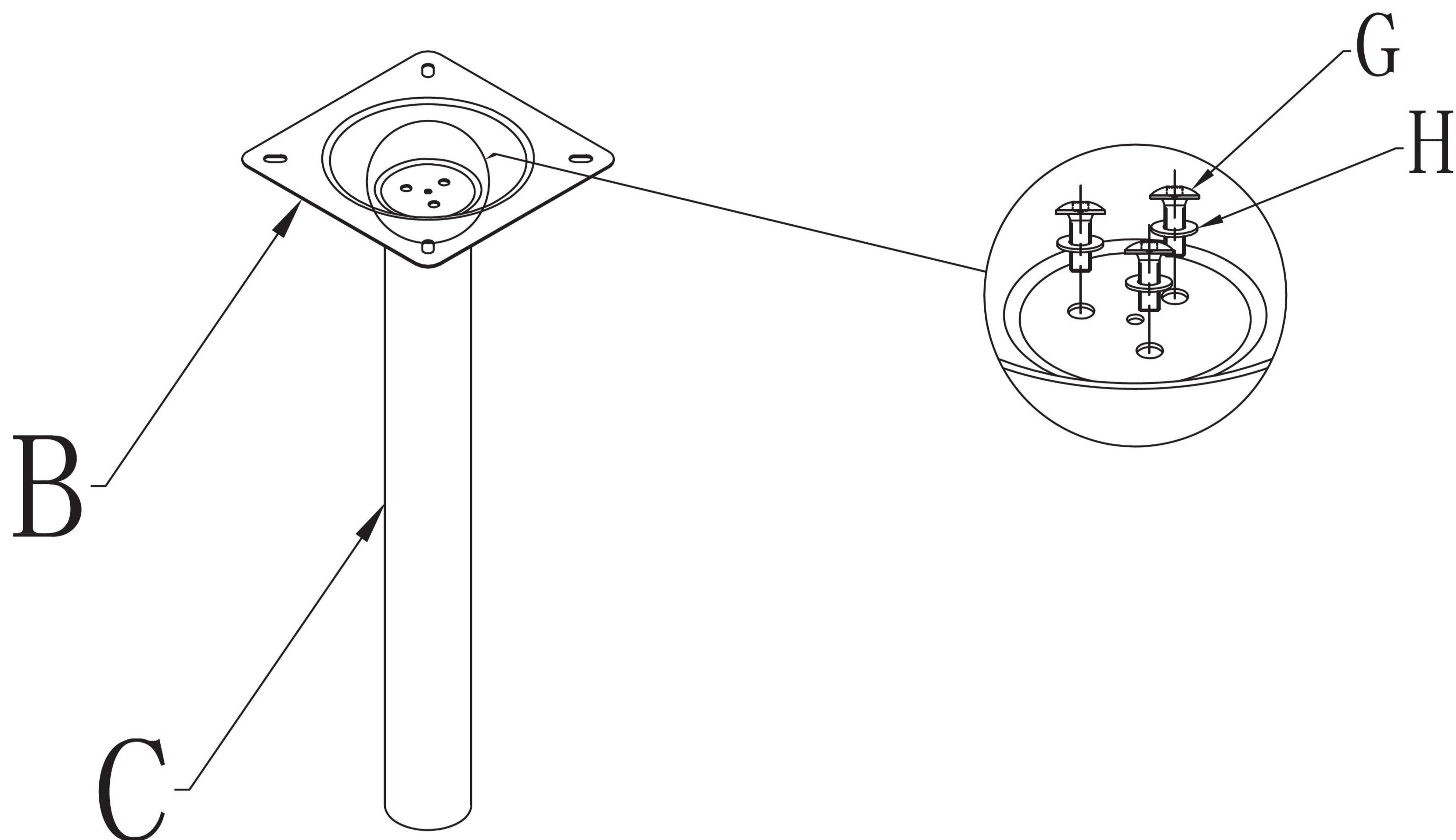
<b>E</b>			<b>F</b>			<b>G</b>		
								
<b>Bolt</b>	<b>M6x15</b>	<b>4+1</b>	<b>Washer</b>	<b>M6</b>	<b>4+1</b>	<b>Bolt</b>	<b>M8x25</b>	<b>6+1</b>
<b>H</b>			<b>I</b>			<b>J</b>		
								
<b>Washer</b>	<b>M8</b>	<b>6+1</b>	<b>Foot Cap</b>		<b>4</b>	<b>Allen wrench</b>	<b>M6</b>	<b>1</b>
<b>K</b>								
								
<b>Allen wrench</b>	<b>M8</b>	<b>1</b>						

Note: The number after “+” sign indicates the extra piece(s).

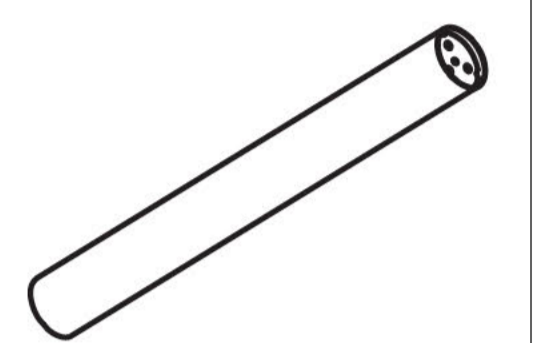
# Assembly Instruction

## STEP 1

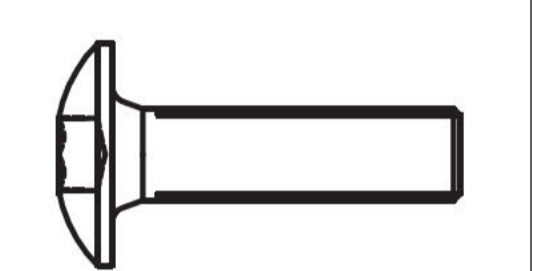
Attach the part B table connector to the part C table leg with three part G bolts and three part H washers. Tighten all bolts fully.



B\*1



C\*1



G\*3



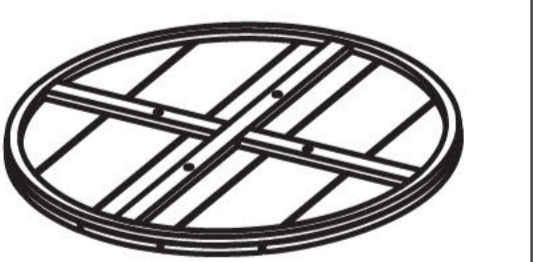
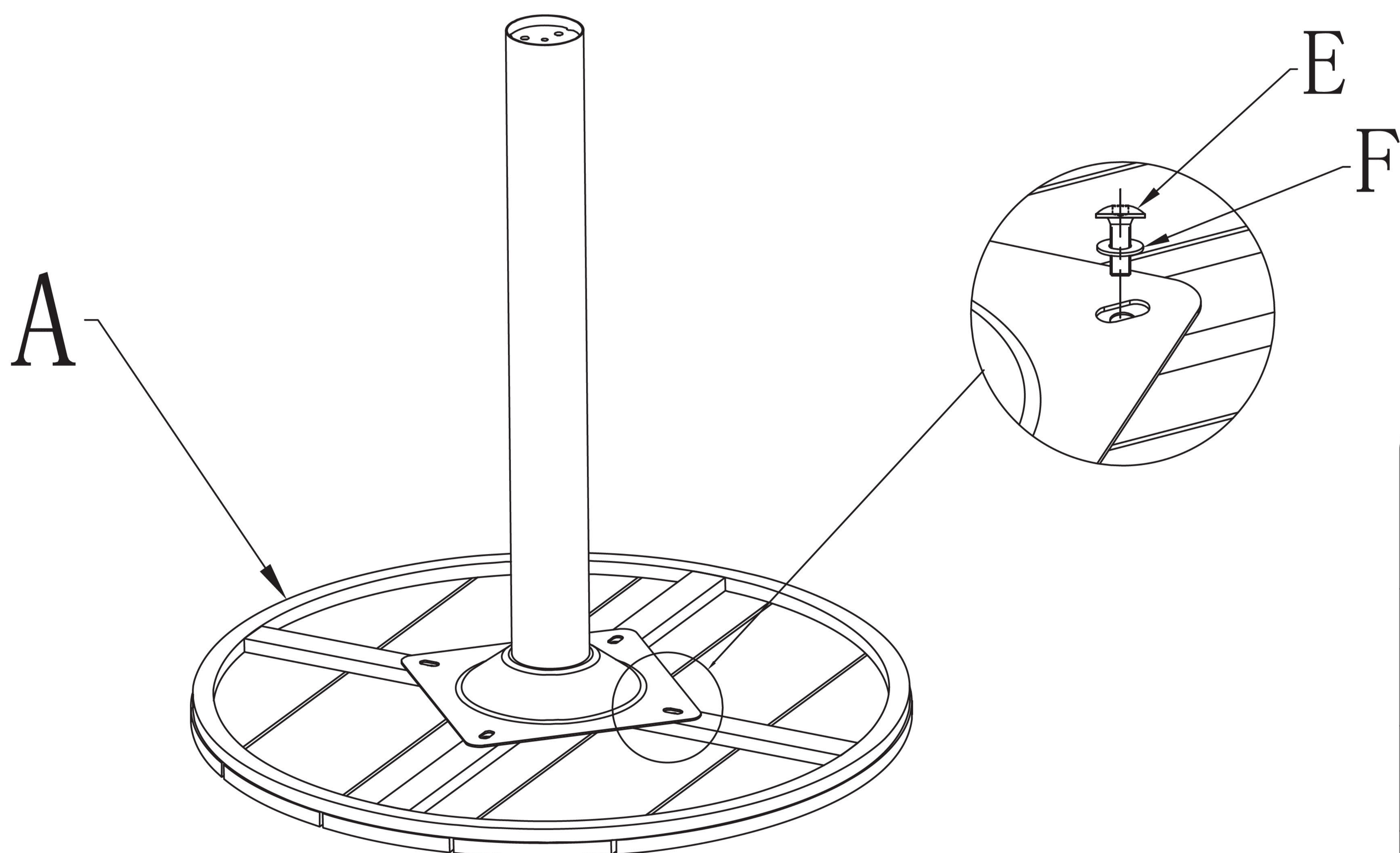
H\*3



K\*1

## STEP 2

Attach the part B table connector to the part A table top with four part E bolts and four part F washers. Tighten all the bolts fully.



A\*1



E\*4



F\*4

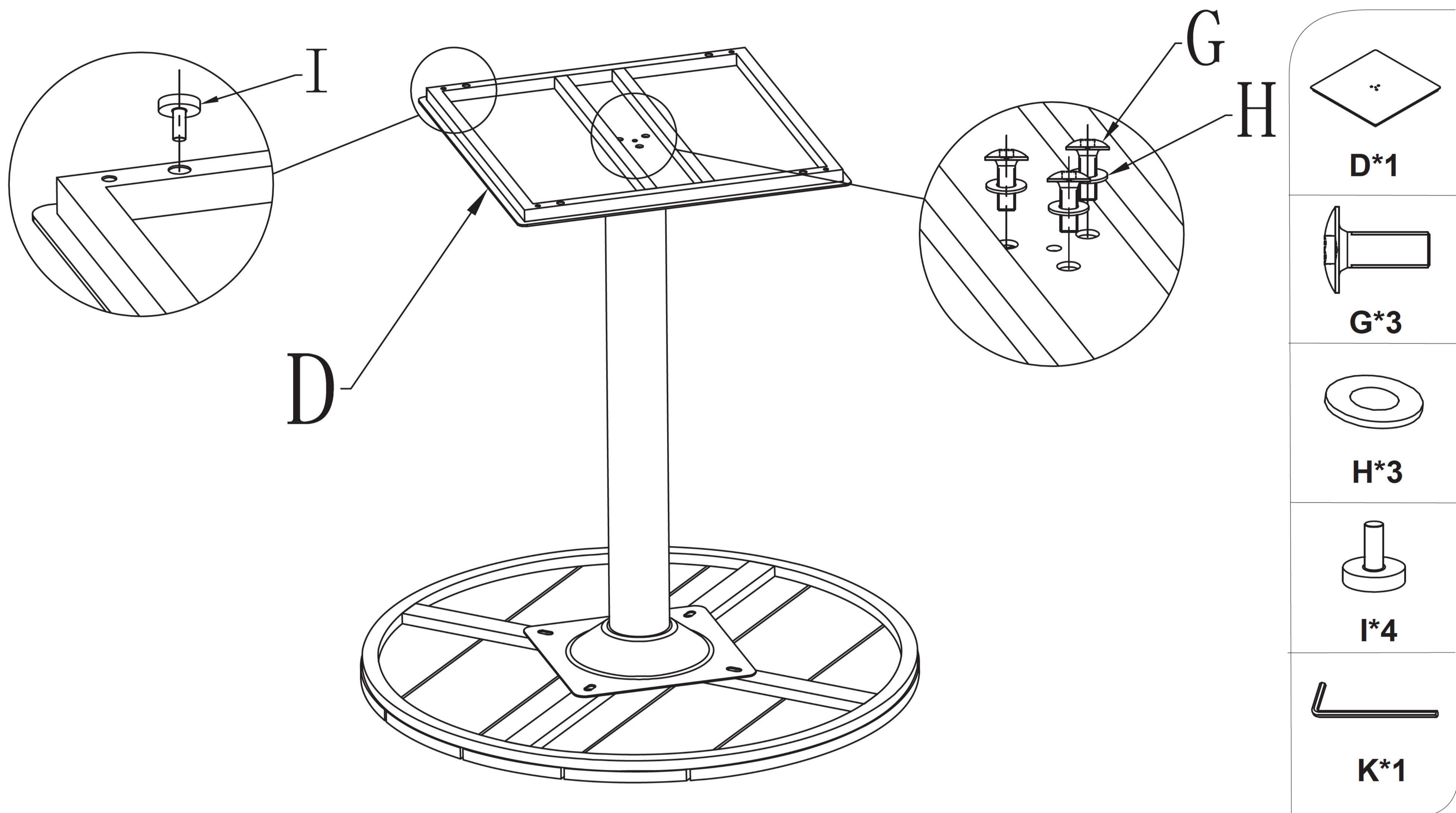


J\*1

# Assembly Instruction

## STEP 3

Attach part D table base to the part C table leg with three part G bolts and three part H washers. Then attach four part I foot caps to the part D table base. Tighten all the bolts fully.



## STEP 4

If you find the table not level, please adjust by rotating the feet pads on the legs.

