











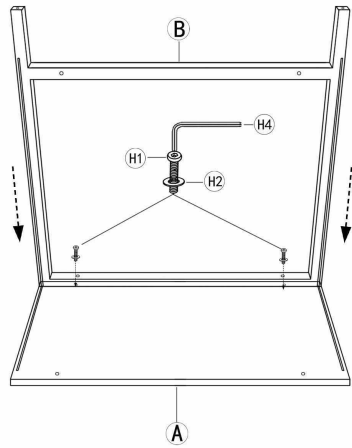
Assembly Instruction

ITEM # SW24L1091-Geometric Ripple 2 Doors Cabinet

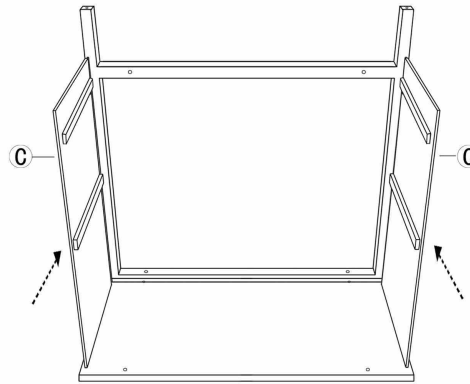
PARTS	A 	B 	C 	D 	E 	F 				
QTY	1	1	2	1	1	1				

PARTS	H1 	H2 	H3 	H4 						
QTY	8	8	4	1						

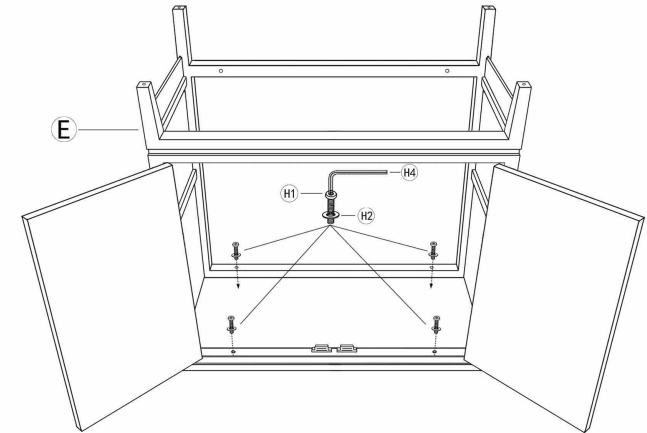
STEP 1



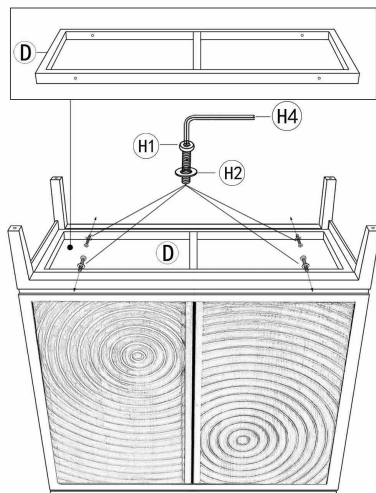
STEP 2



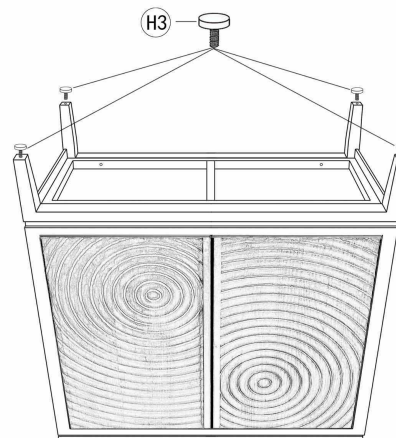
STEP 3



STEP 4



STEP 5



STEP 6

