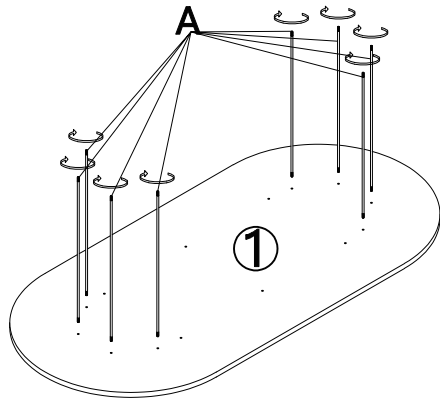
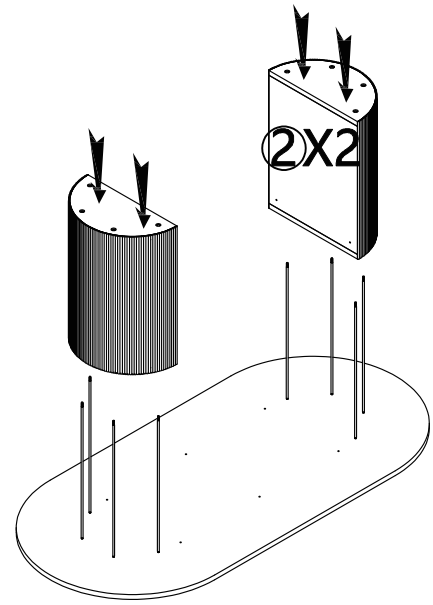


# ASSEMBLY INSTRUCTION

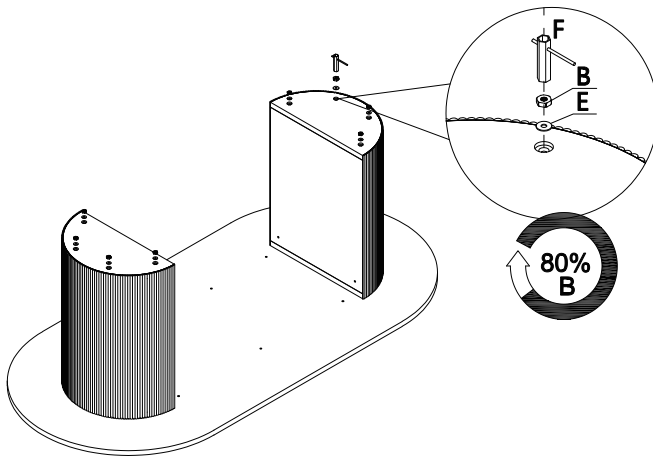
## STEP 1



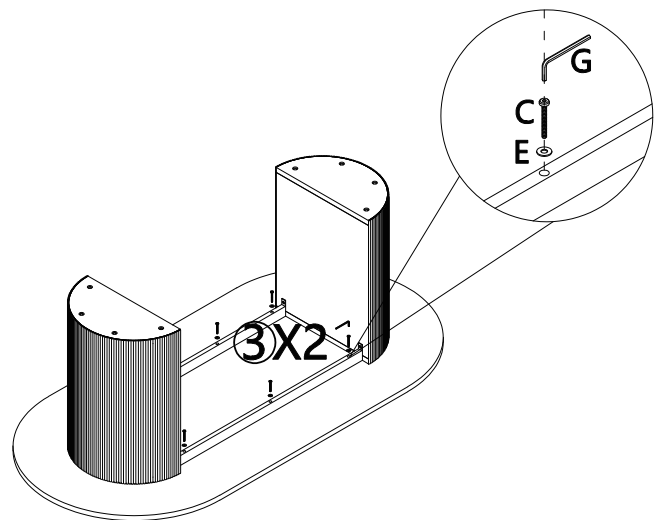
## STEP 2

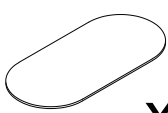
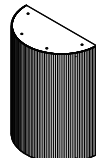
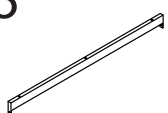





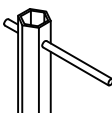



## STEP 3



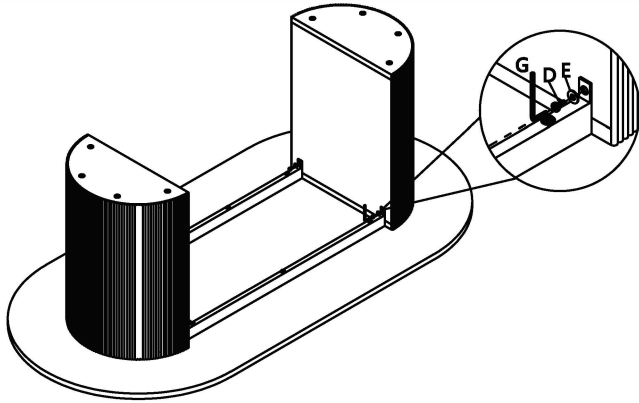
## STEP 4



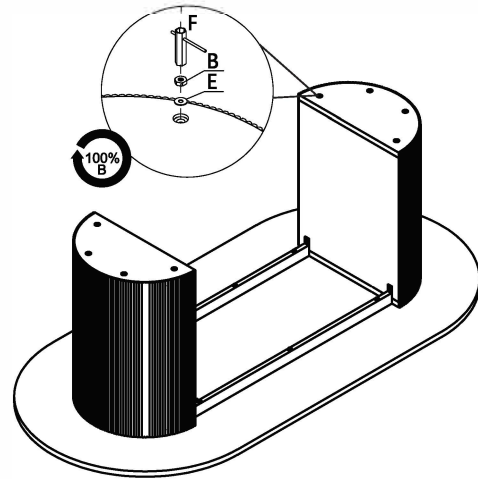
<p>1</p>  <p>x1</p>	<p>2</p>  <p>x2</p>	<p>3</p>  <p>x2</p>	<p>A</p>  <p>M8x730mm x8</p>	<p>B</p>  <p>M8 x8</p>	<p>C</p>  <p>M8X55 x6</p>
<p>D</p>  <p>M8X16 x4</p>	<p>E</p>  <p>M8x22x1.5mm x18</p>	<p>F</p>  <p>8# x1</p>	<p>G</p>  <p>5# x1</p>		

# ASSEMBLY INSTRUCTION

## STEP 5



## STEP 6



## STEP 7

