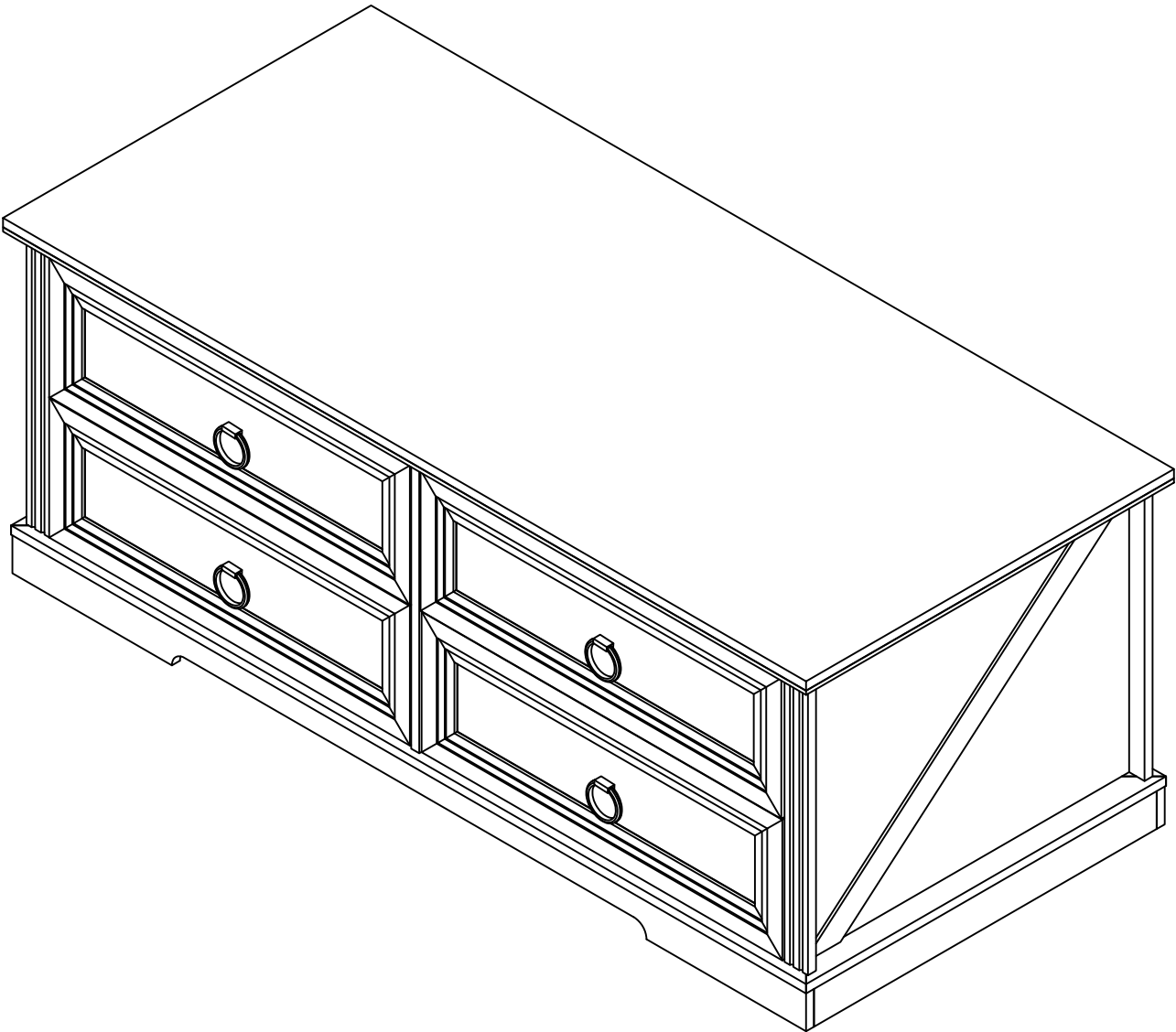
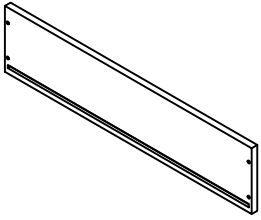
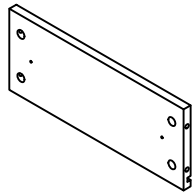


# Product Installation Instructions

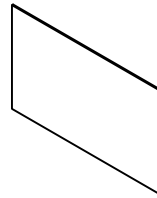




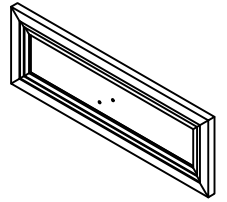
Ax4



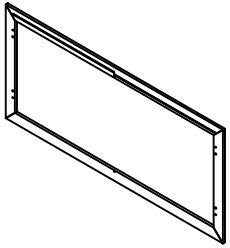
Bx8



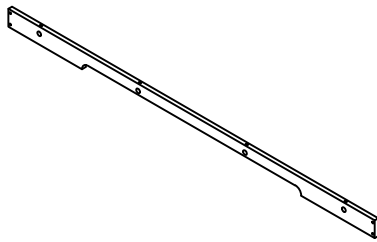
Cx4



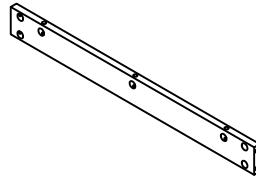
Dx4



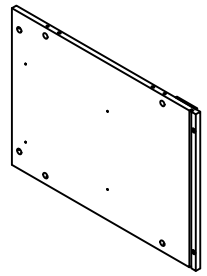
Ex1



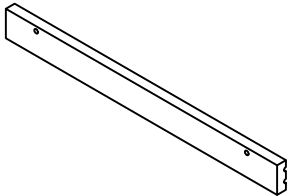
Fx2



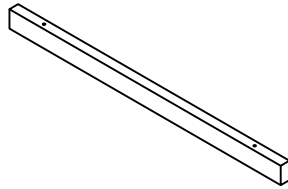
Gx2



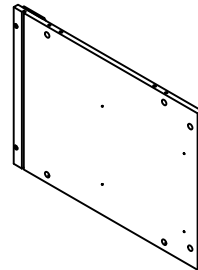
Hx1



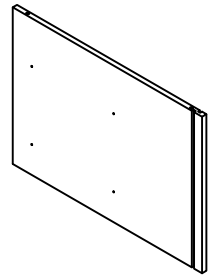
Ix2



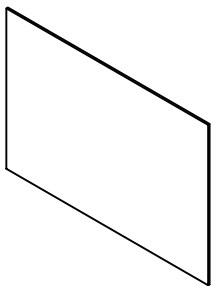
Jx2



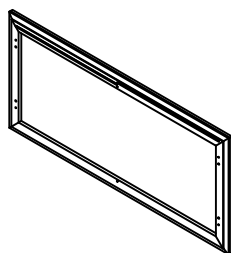
Kx1



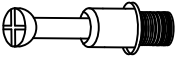

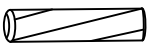
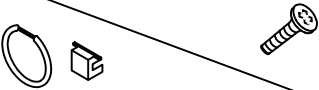
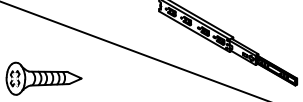


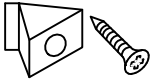
Lx1

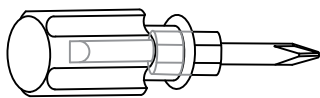


Mx2

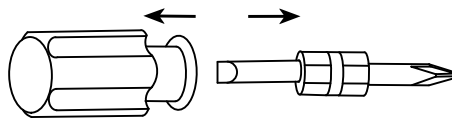


Nx1

①		Two In One Screw (6x28mm)	70pcs +4pcs
②		Two In One Nut (10x12mm)	70pcs +4pcs
③		Wood Chipping (6x30mm)	8pcs +2pcs
④		Pull loop handle (4x7mm)	4pcs 4pcs +2pcs
⑤		Screw & Guide(12 inch) (3x12mm)	40pcs +4pcs 8pcs
⑥		Non-slip pads	8pcs +2pcs
⑦		Screw (3x25mm)	4pcs +1pcs
⑧		Fixing clip & screw (3x16mm)	12pcs +2pcs

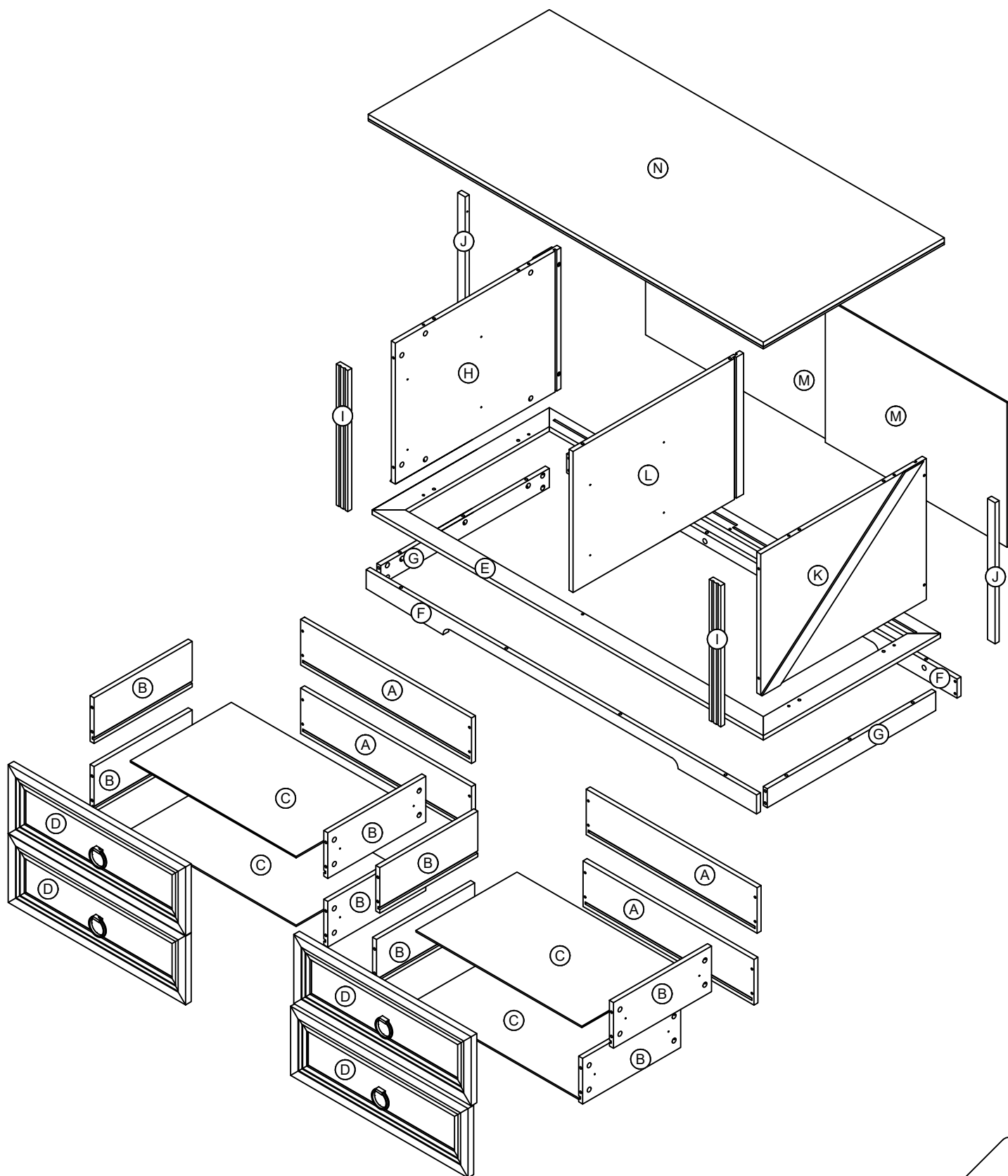


1pcs

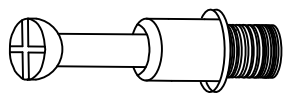


Double-head screwdriver, use as required

# Product structure decomposition

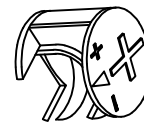


1



32pcs

2



32pcs

4



4pcs

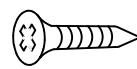


4pcs

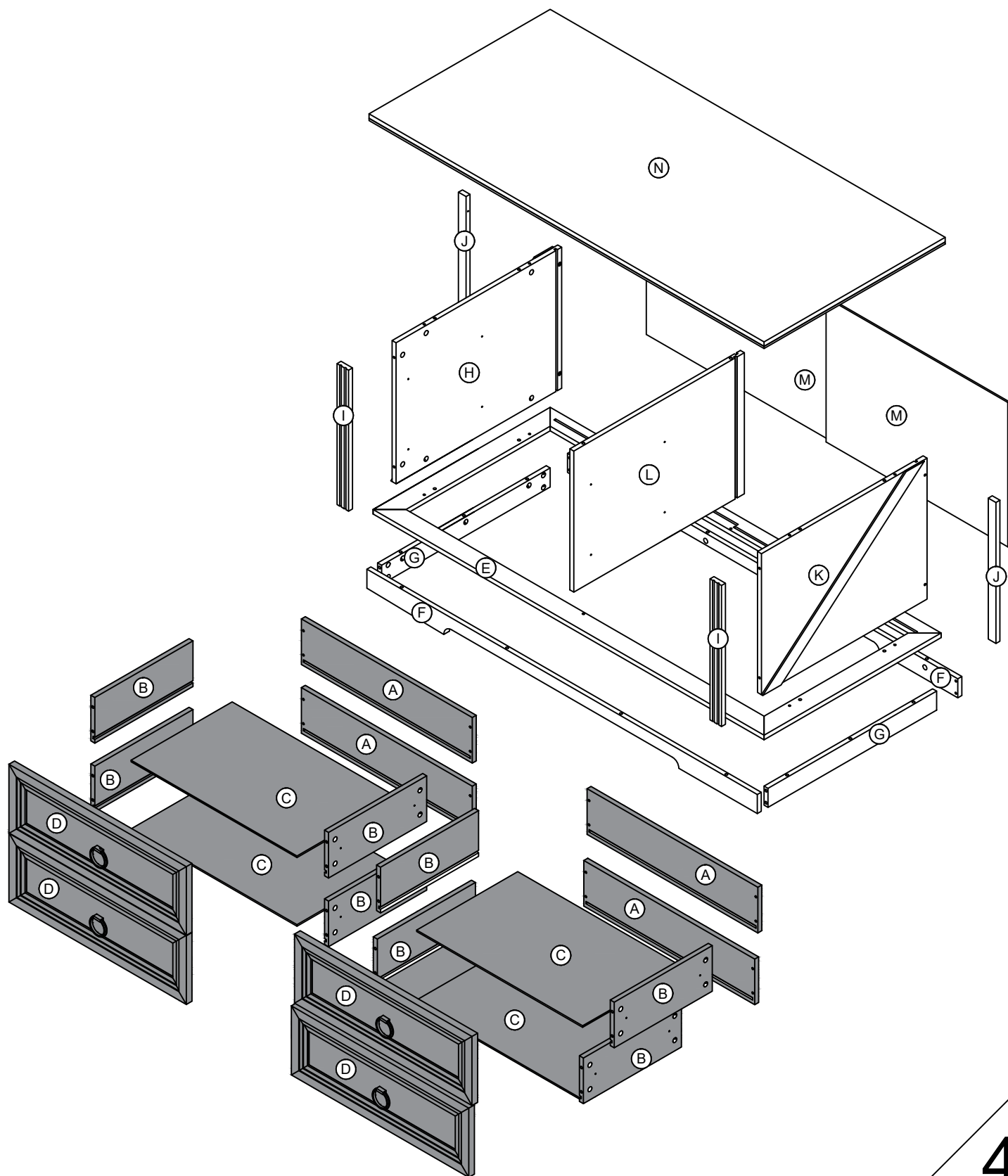
5



8pcs



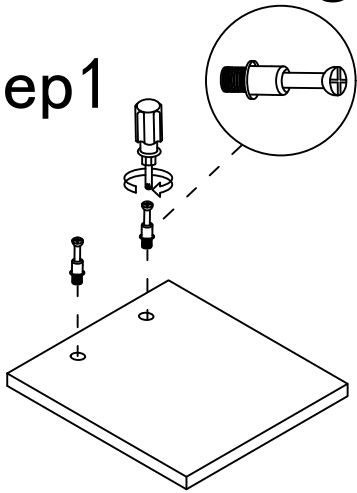
16pcs



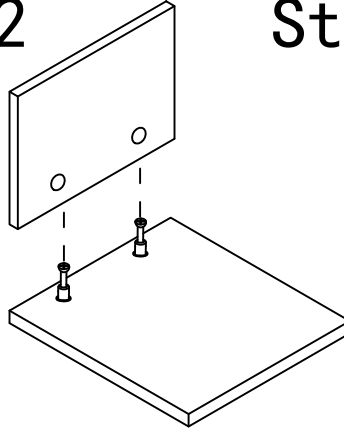
4

Use parts ① and ②

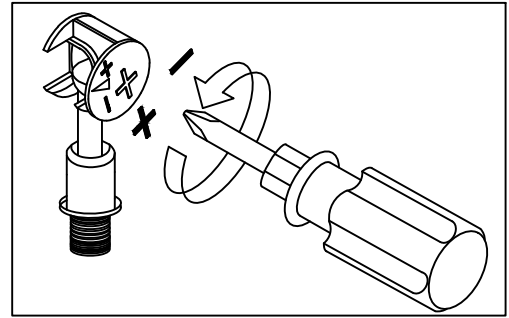
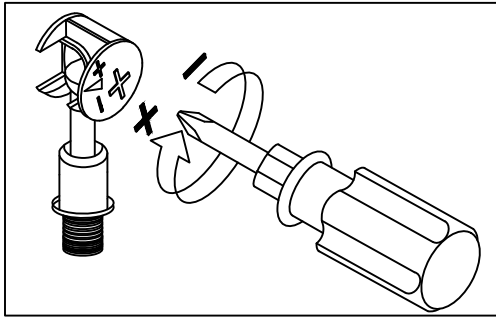
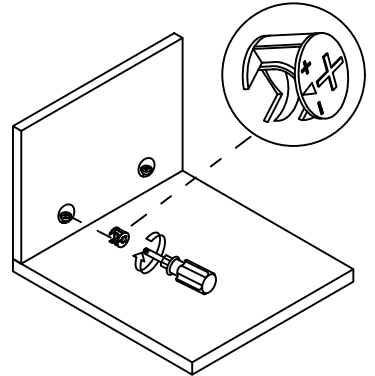
Step1



Step2



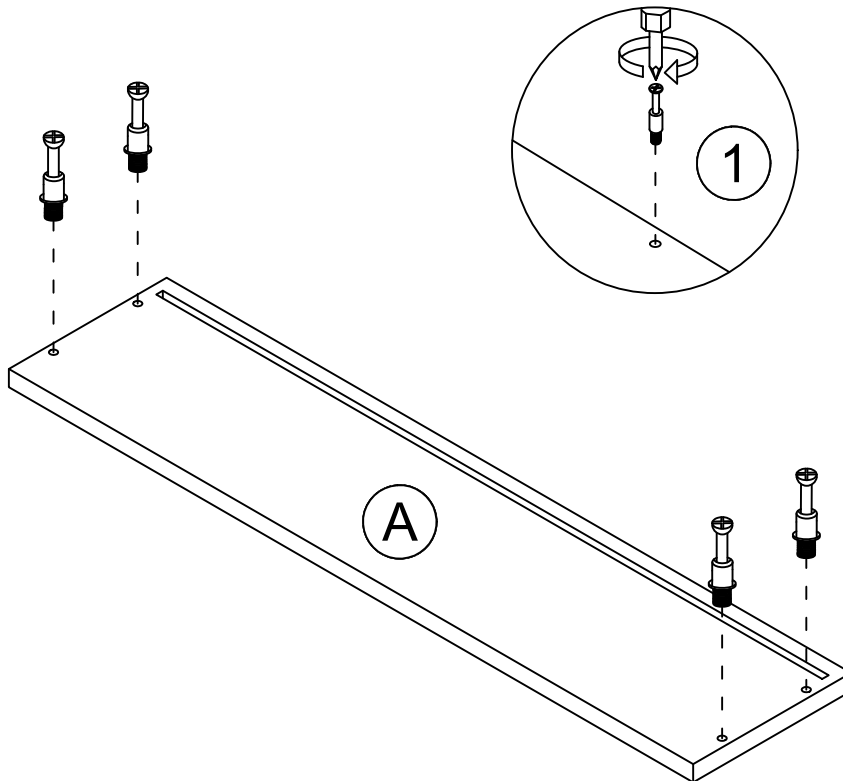
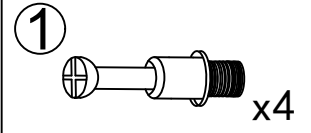
Step3



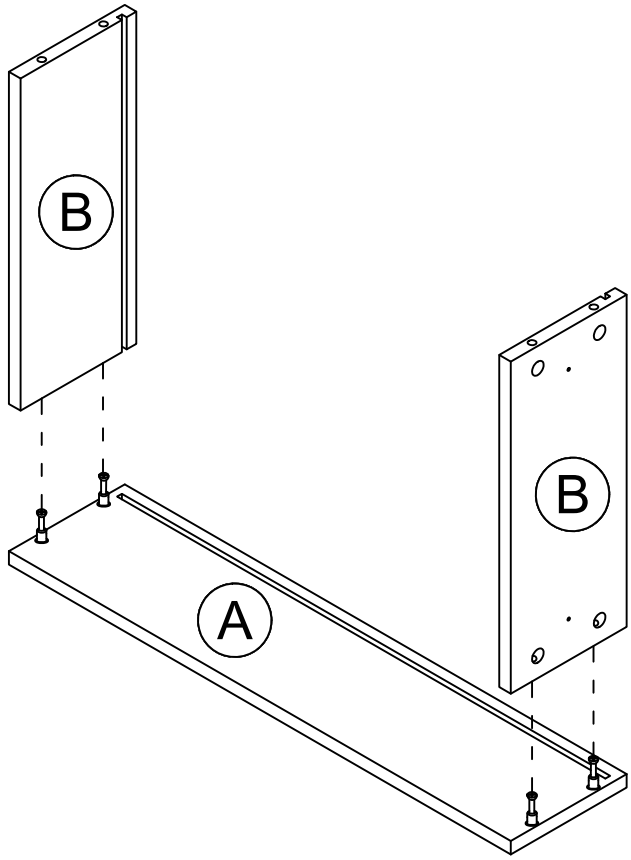
Use a screwdriver to lock in the direction of the "+" sign

Disassemble along the direction of "-" sign

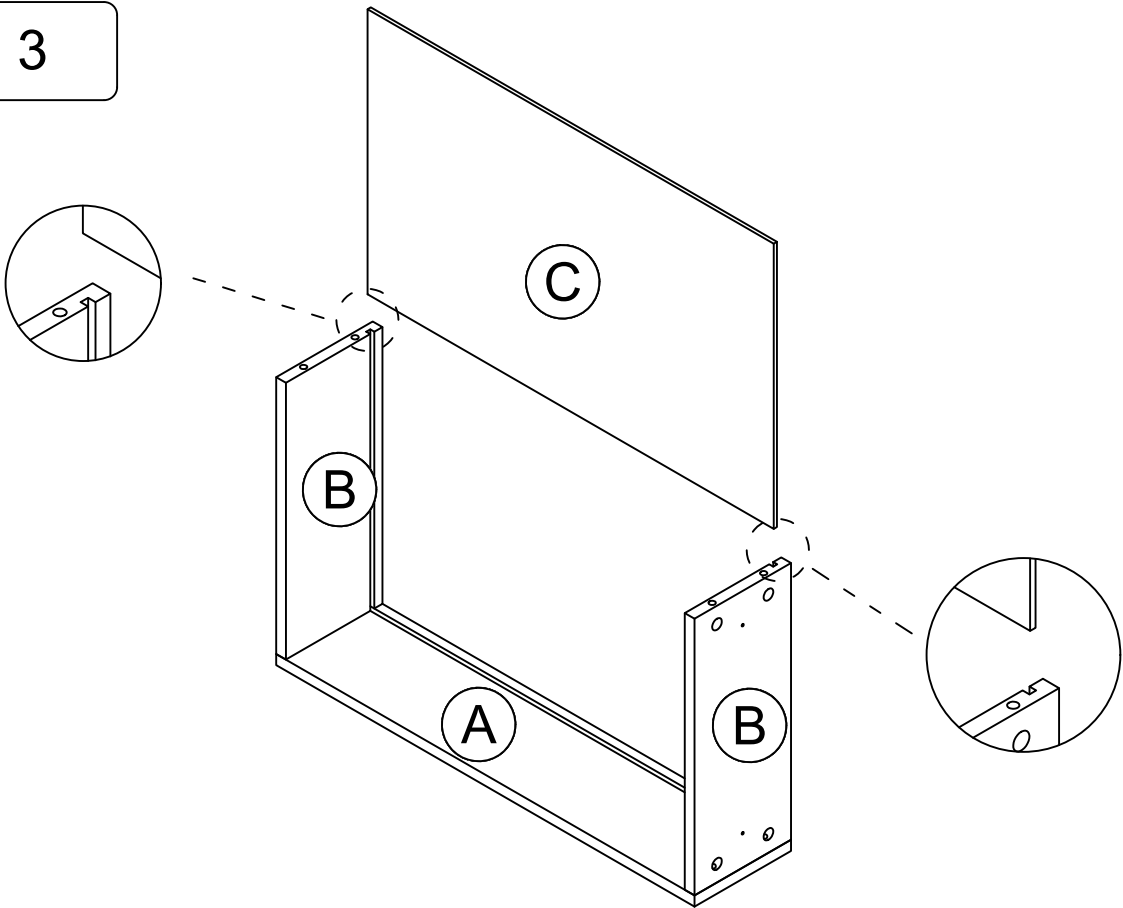
Step 1



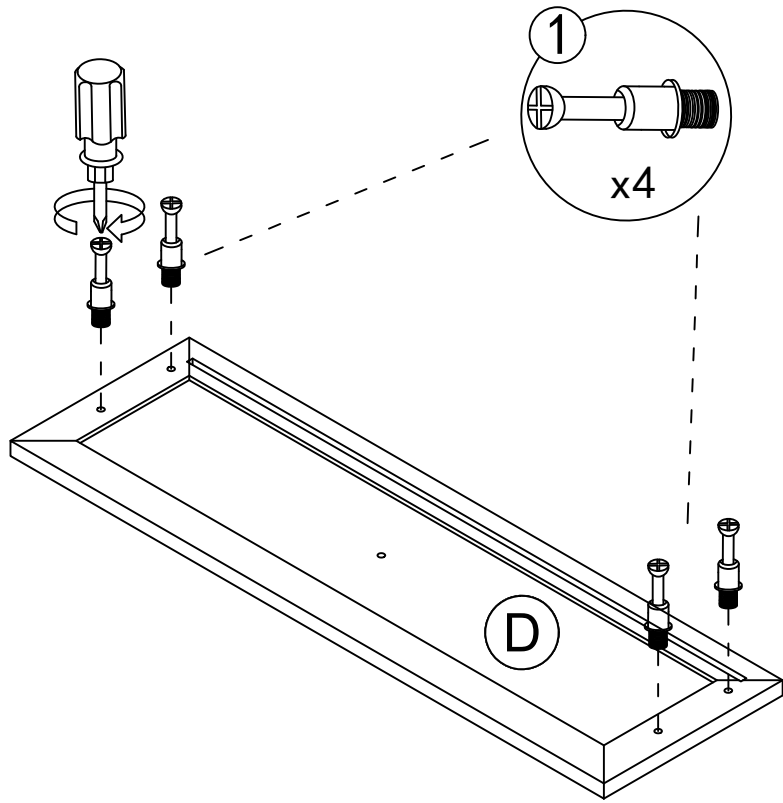
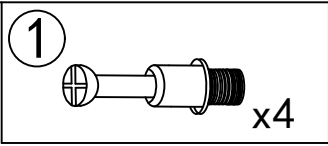
Step 2



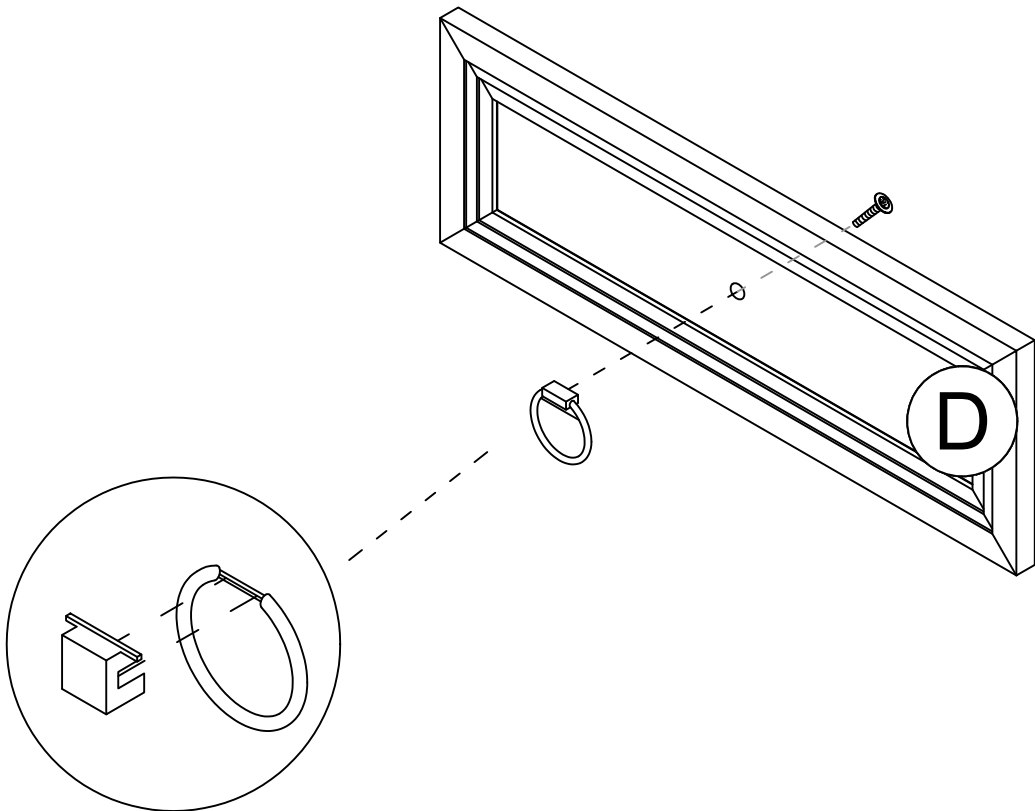
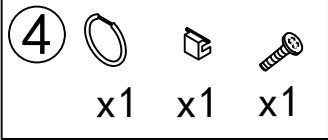
Step 3




Step 4

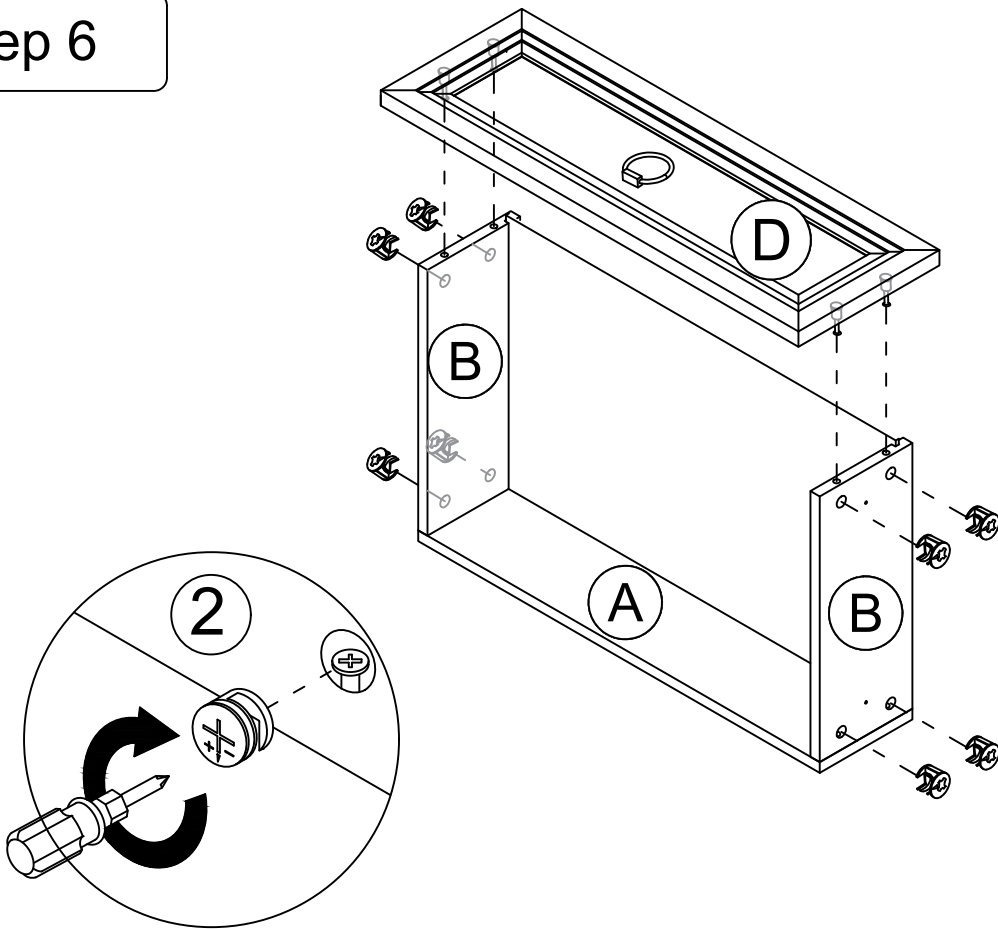


Step 5

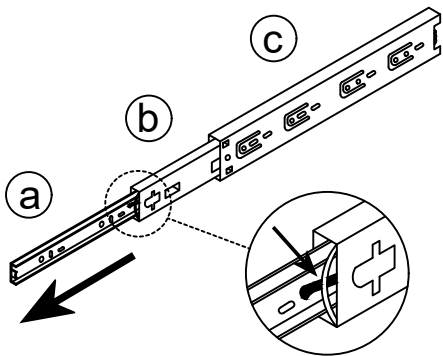


Step 6

②  x8

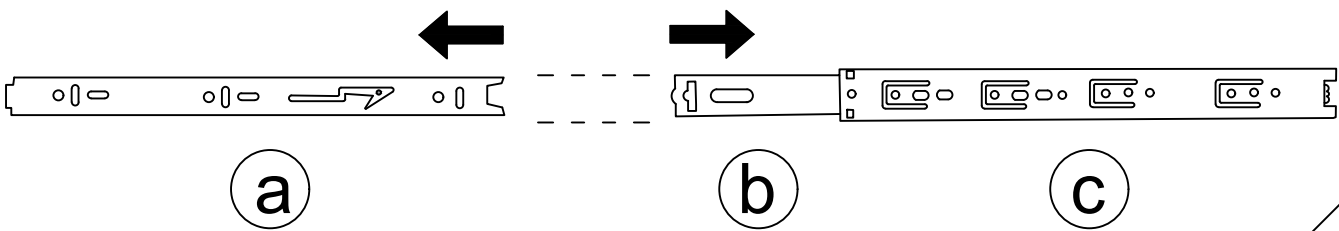
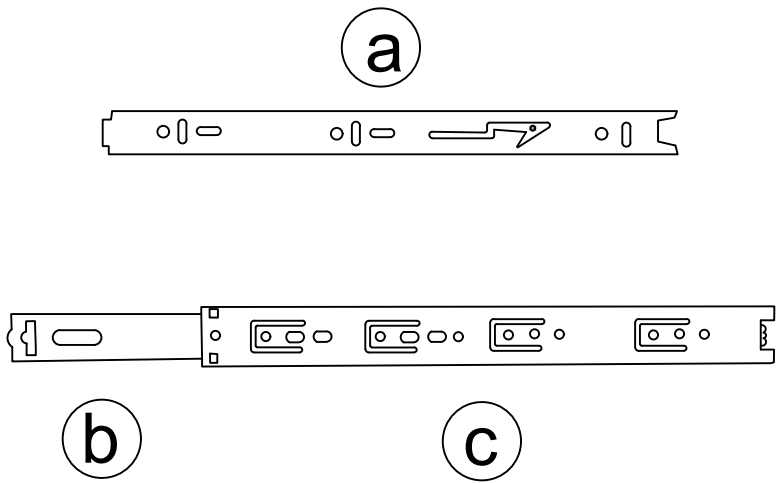


Drawer rail breakdown diagram

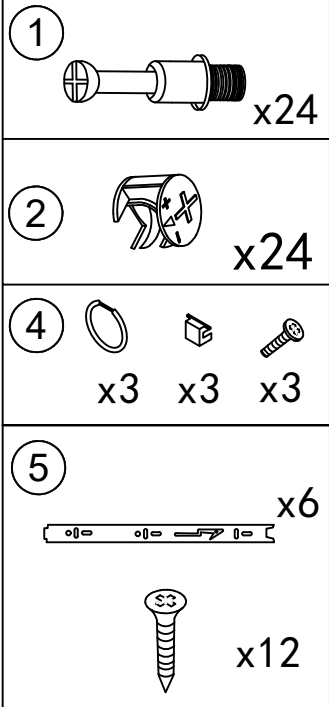
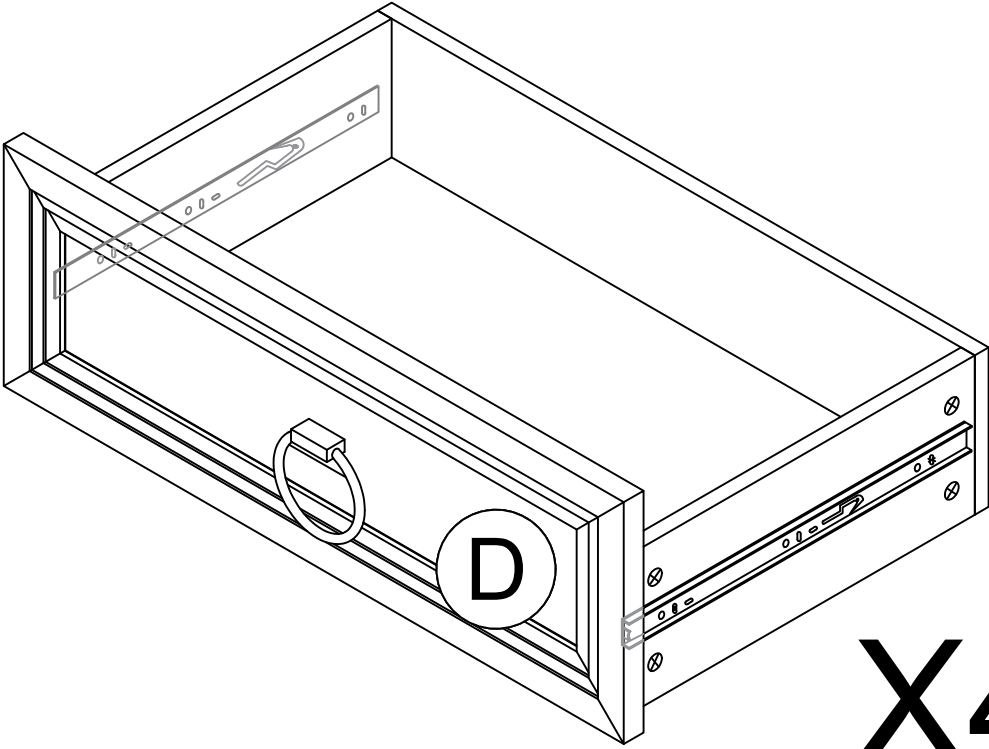
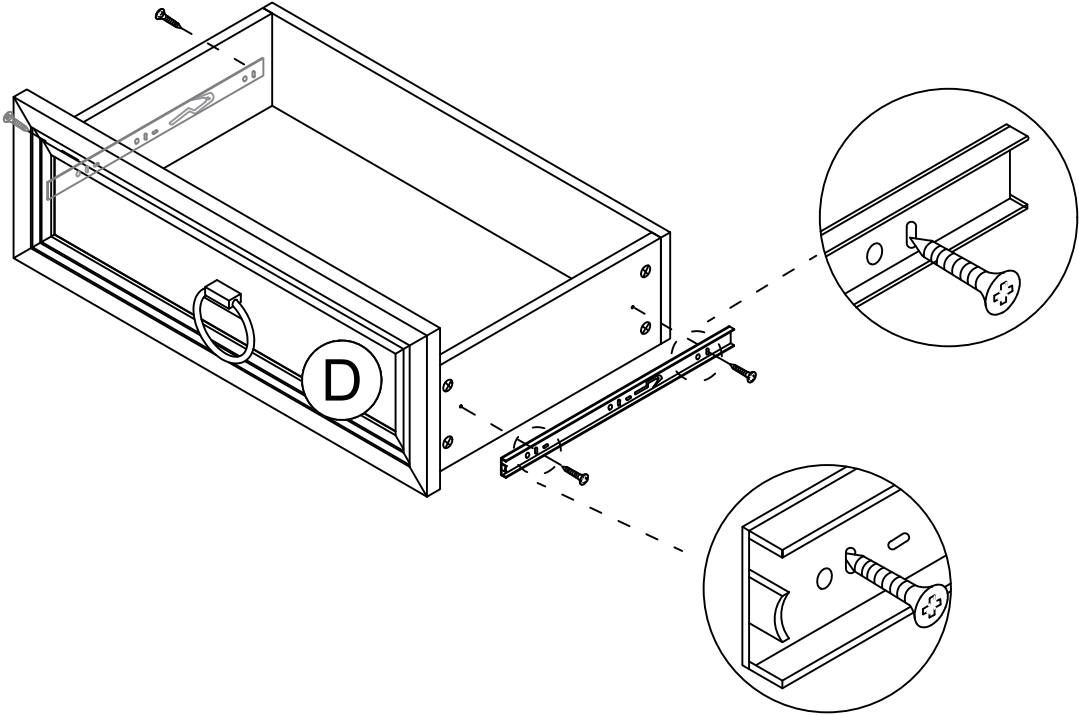
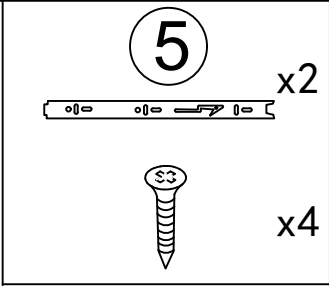
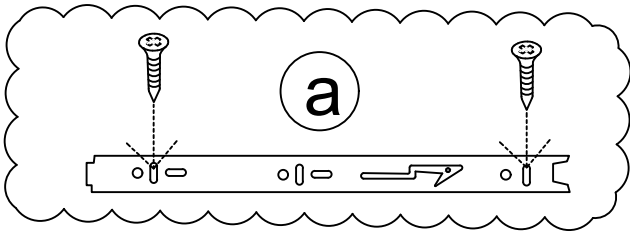


Step 1 : Pull the rails apart

Step 2 : Push the nylon buckle outward a

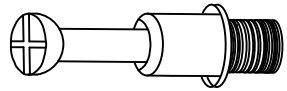

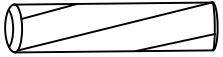
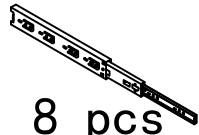

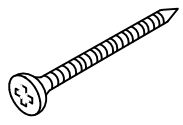
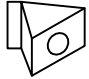



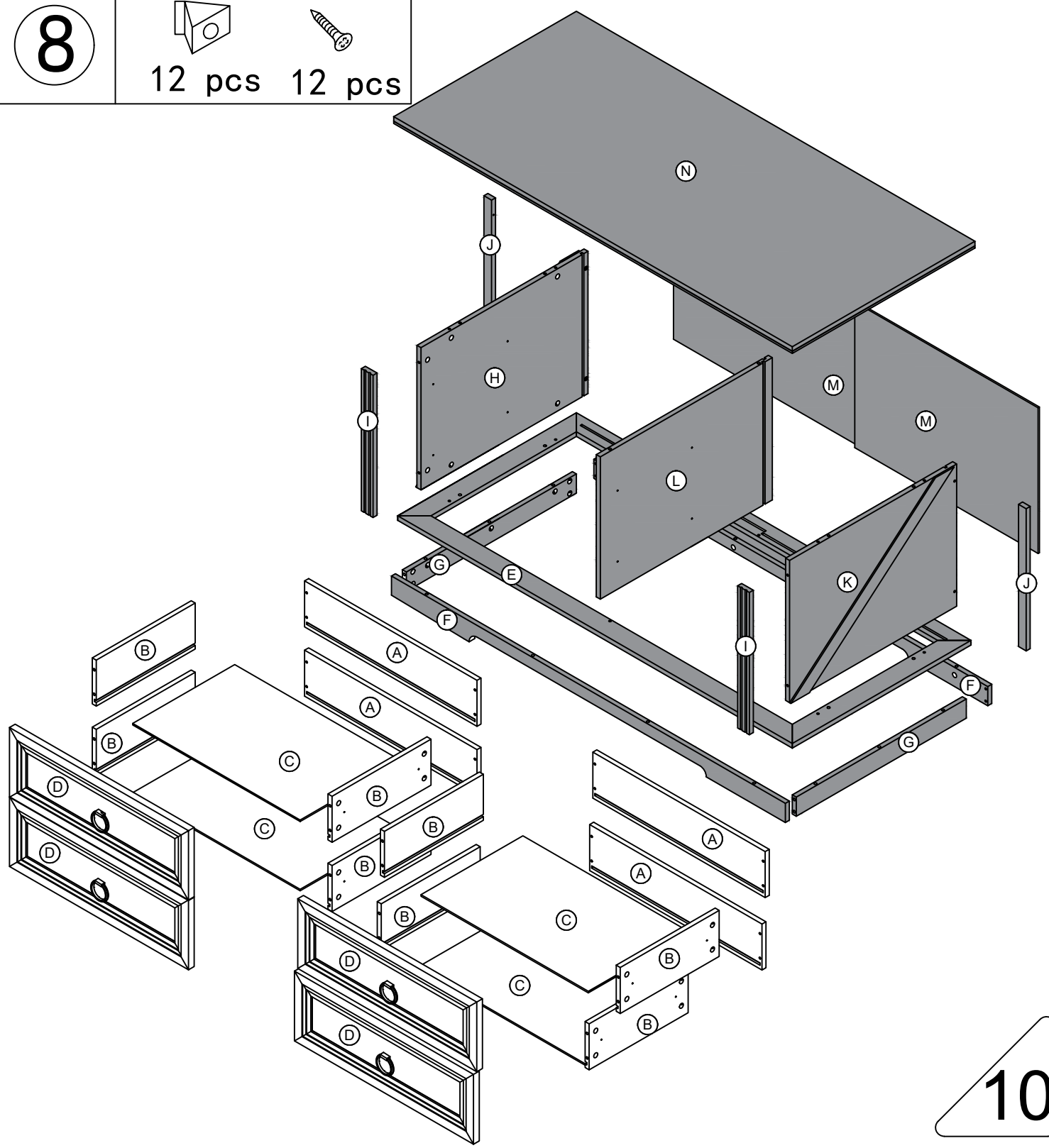
Step 7



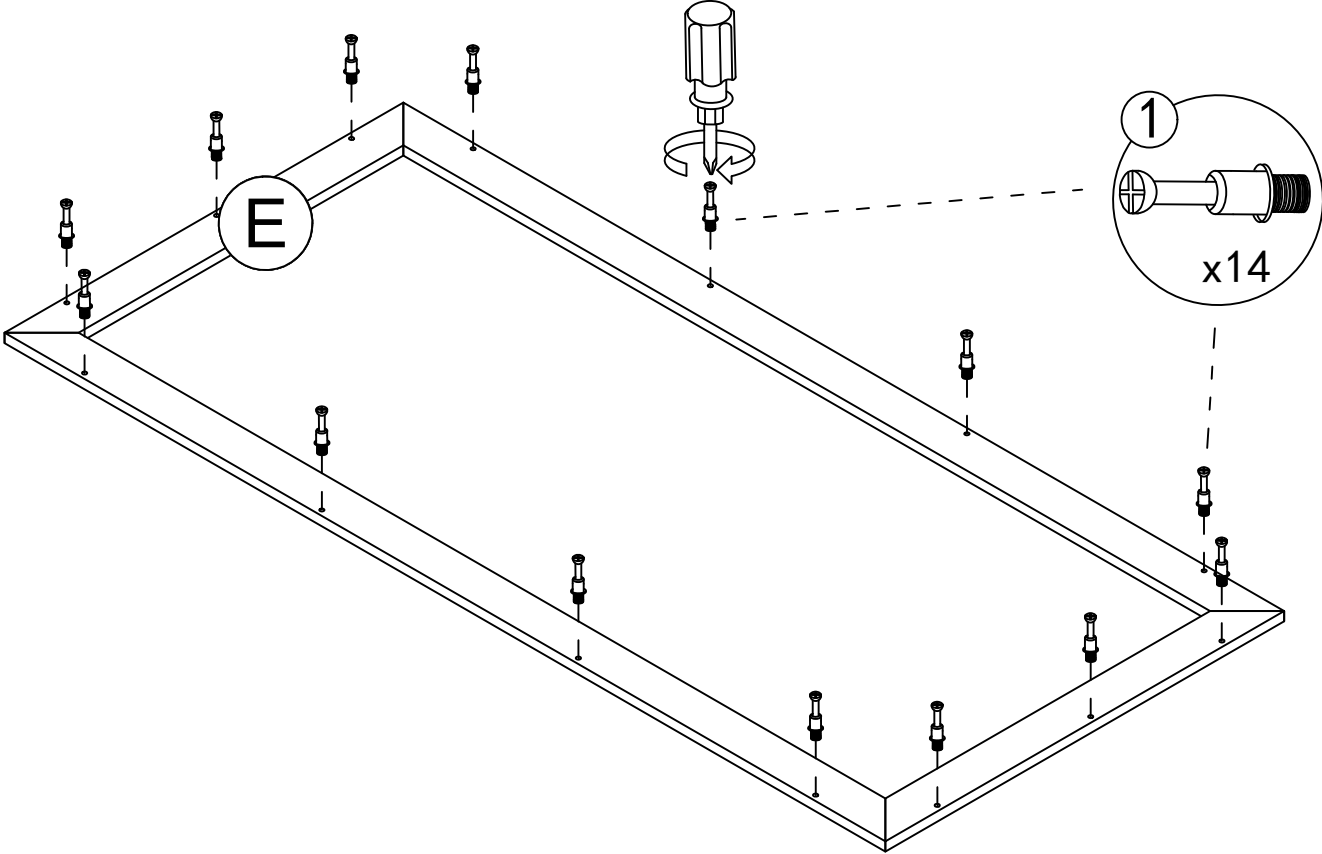
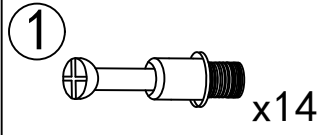
X4

The installation method for other drawers is the same

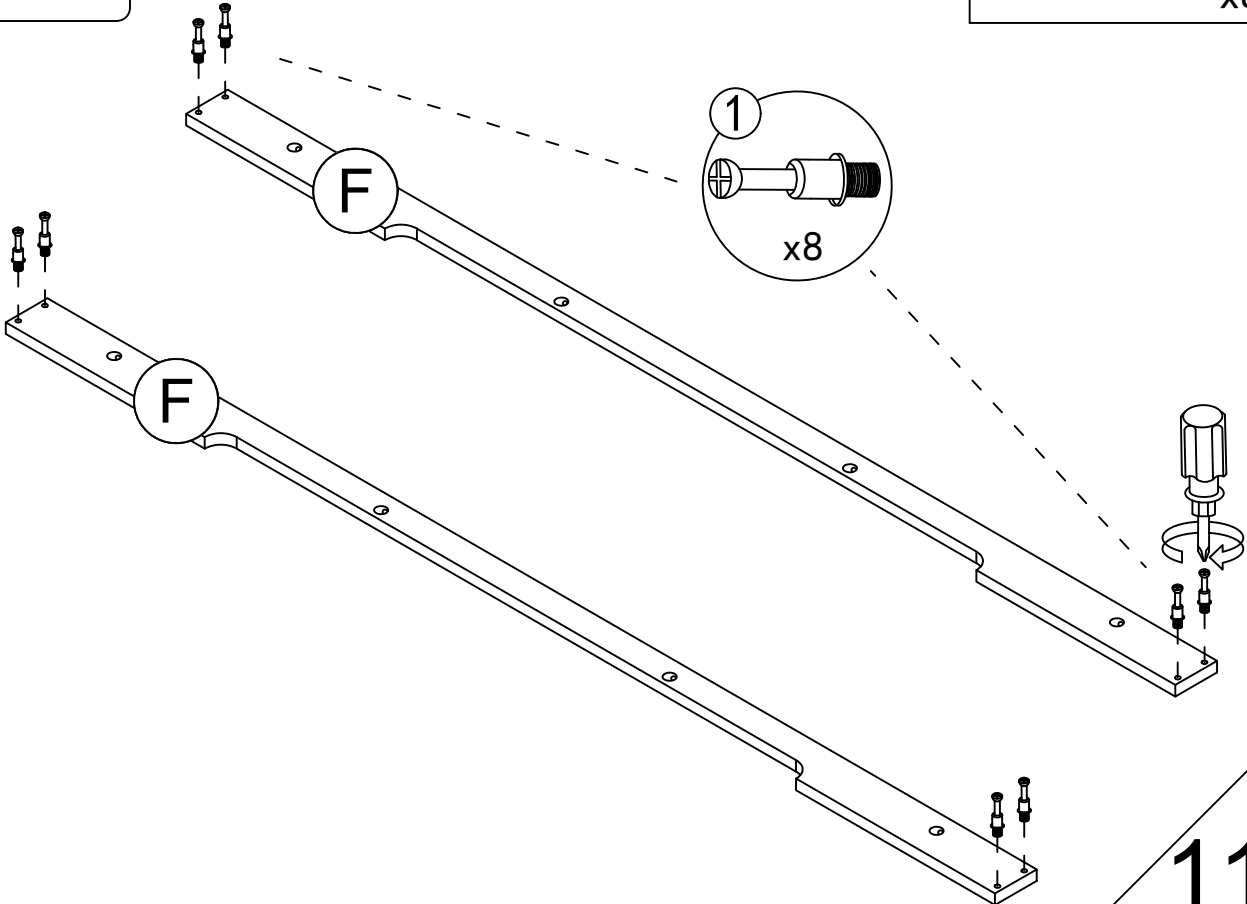
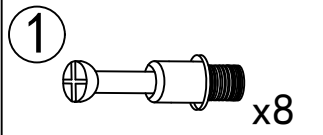
1		38 pcs	2		38 pcs
3		8 pcs	5		8 pcs
6		8 pcs	7		24 pcs
8	 	12 pcs			12 pcs



# Step 8

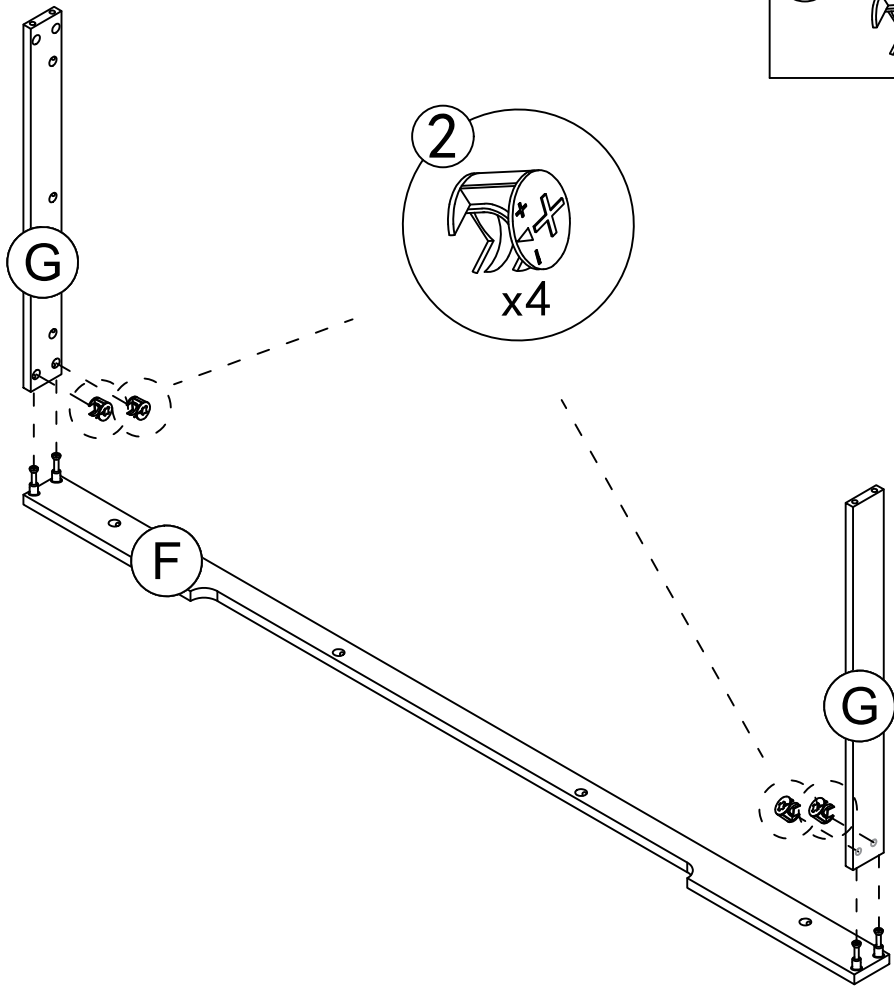


# Step 9



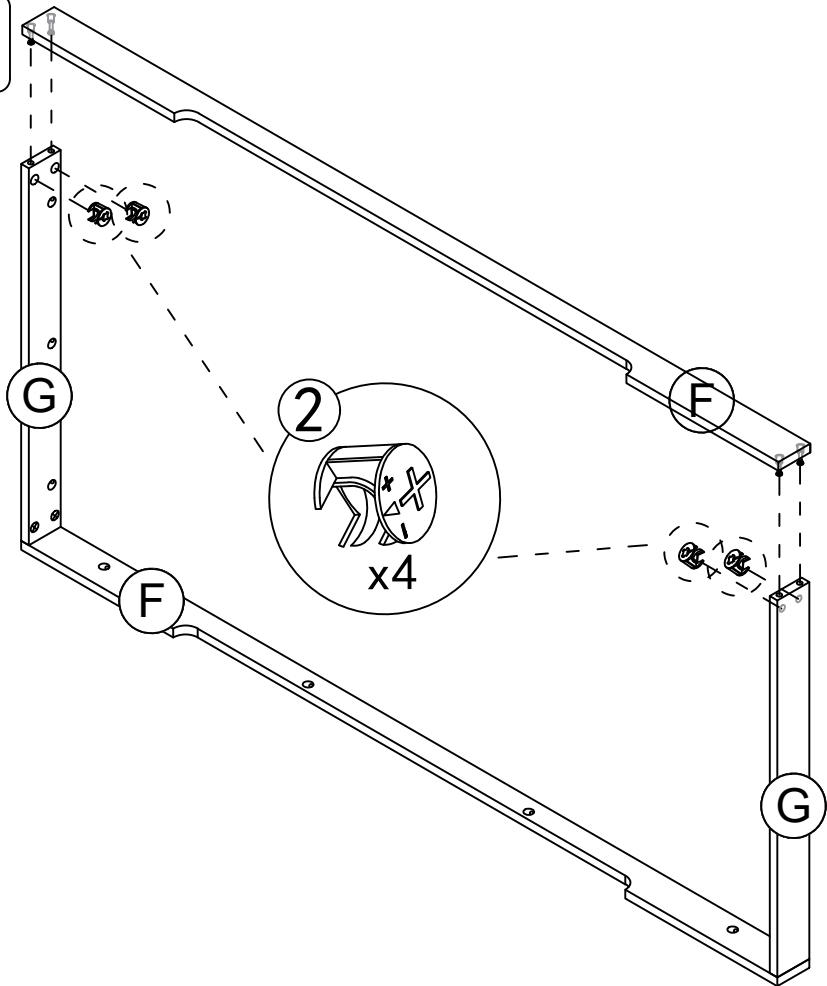
Step 10

2  x4



Step 11

2  x4

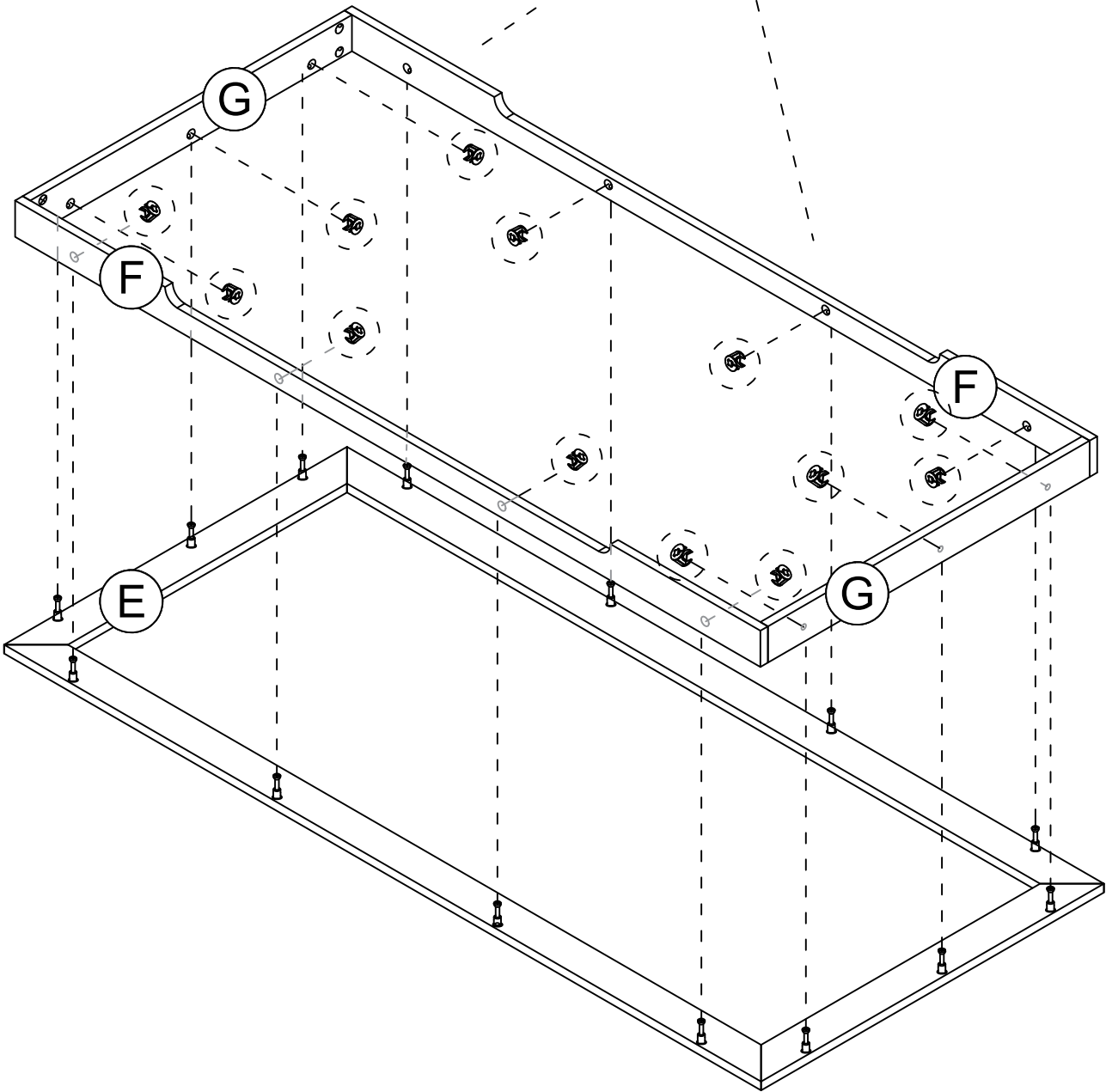
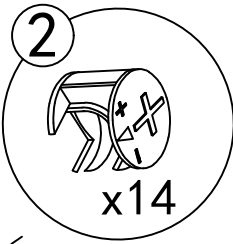


Step 12

2



x14



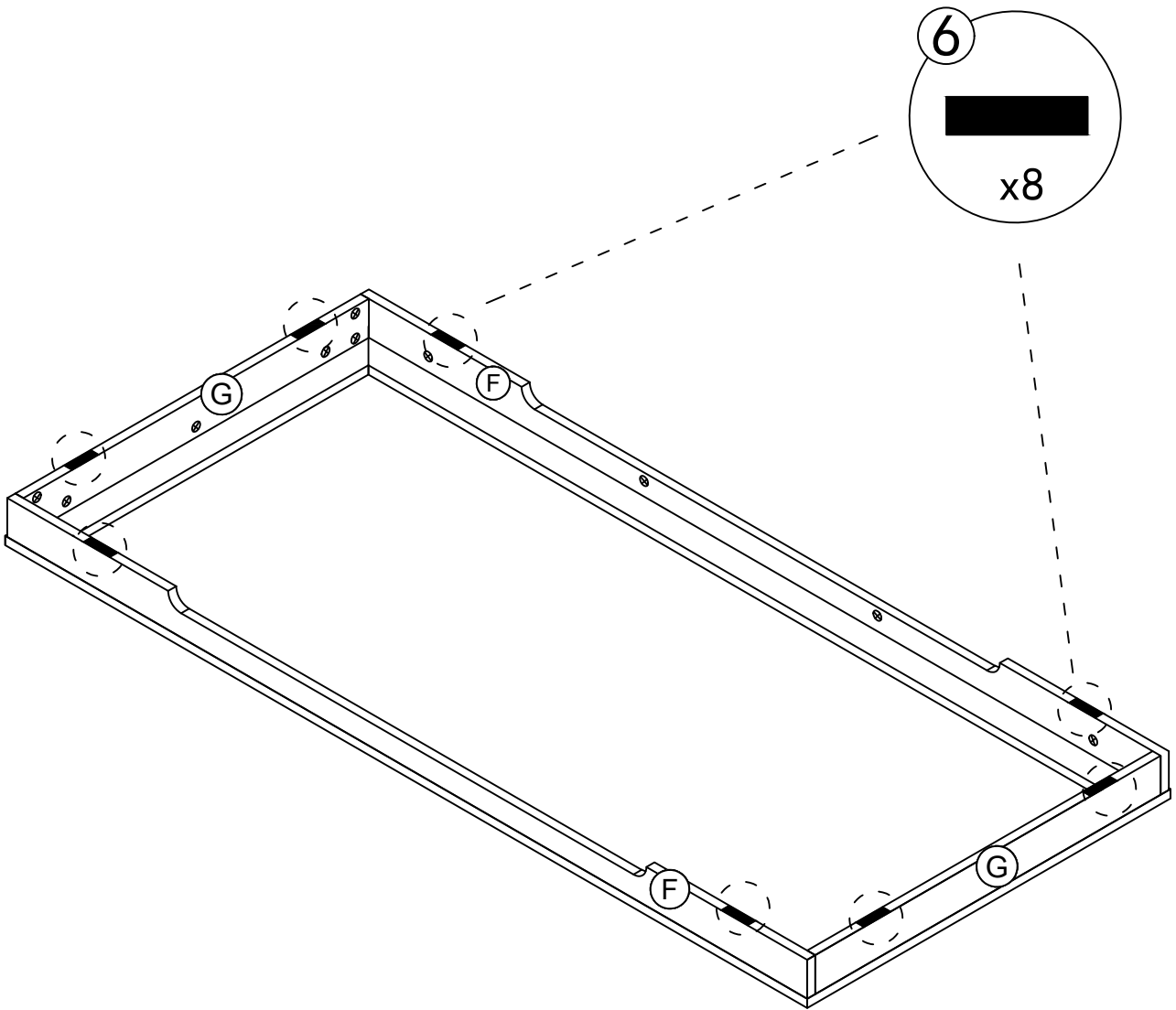
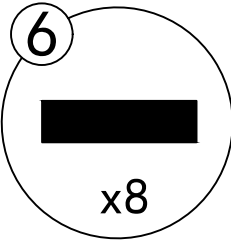
# Step 13

6

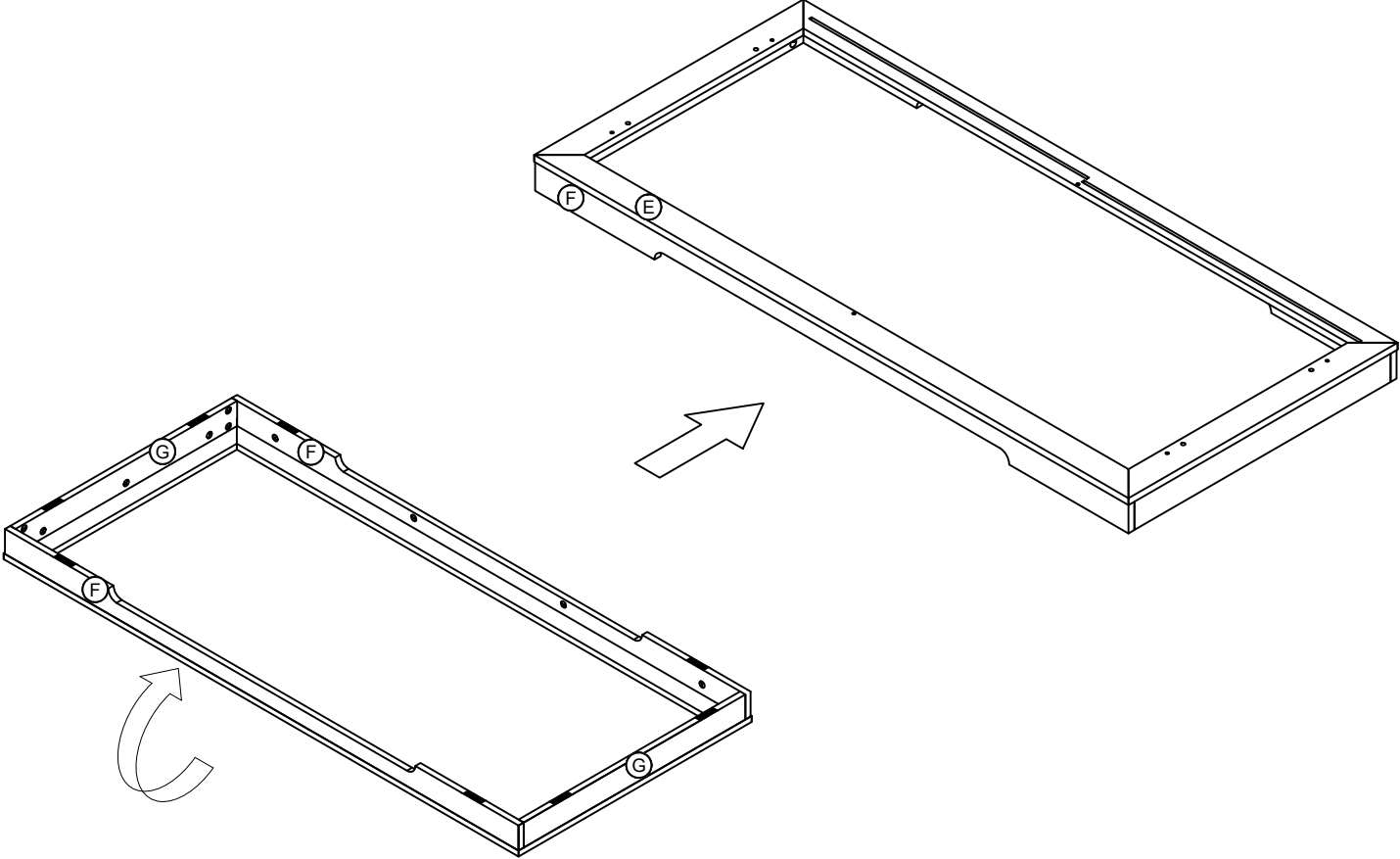


x8

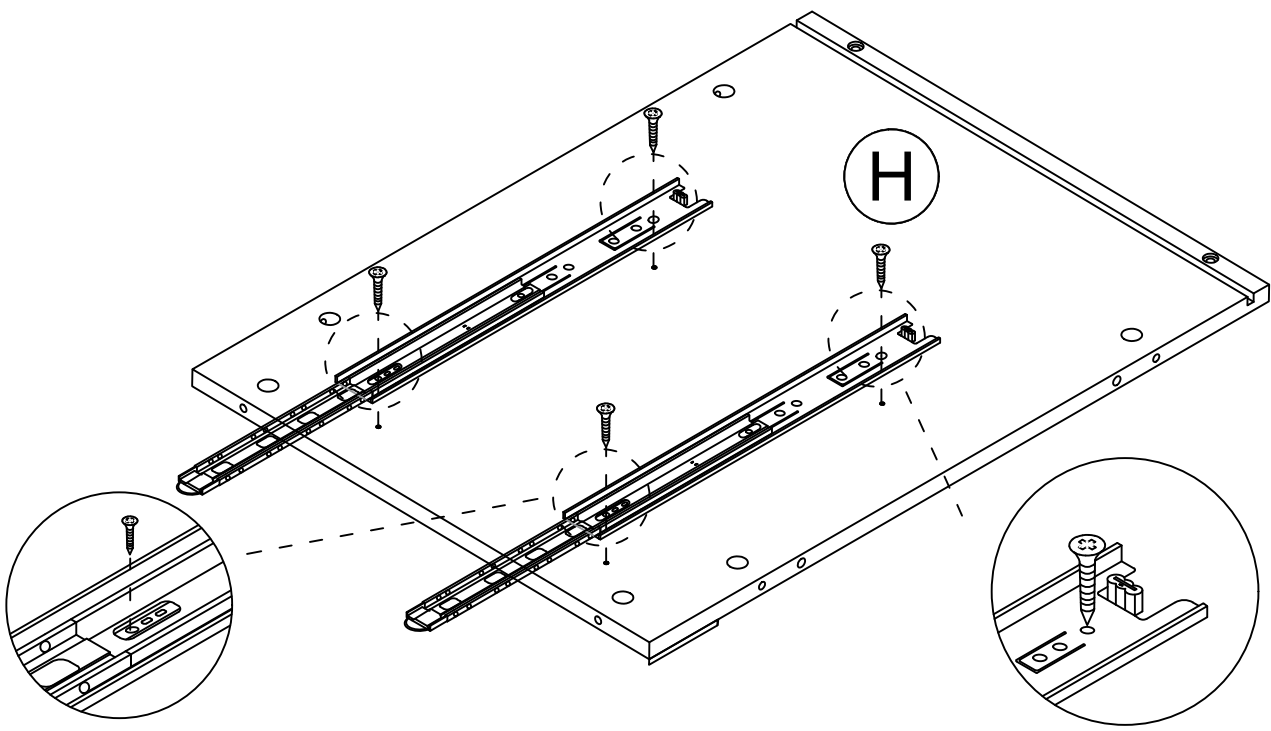
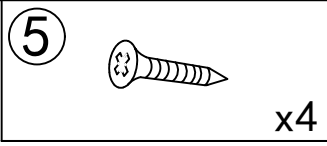
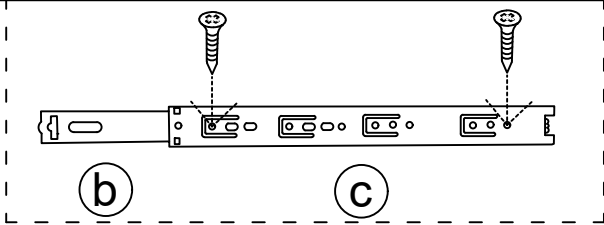
Tear off release paper and stick the black foot pad on the board



Step 14

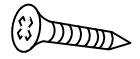


Step 15

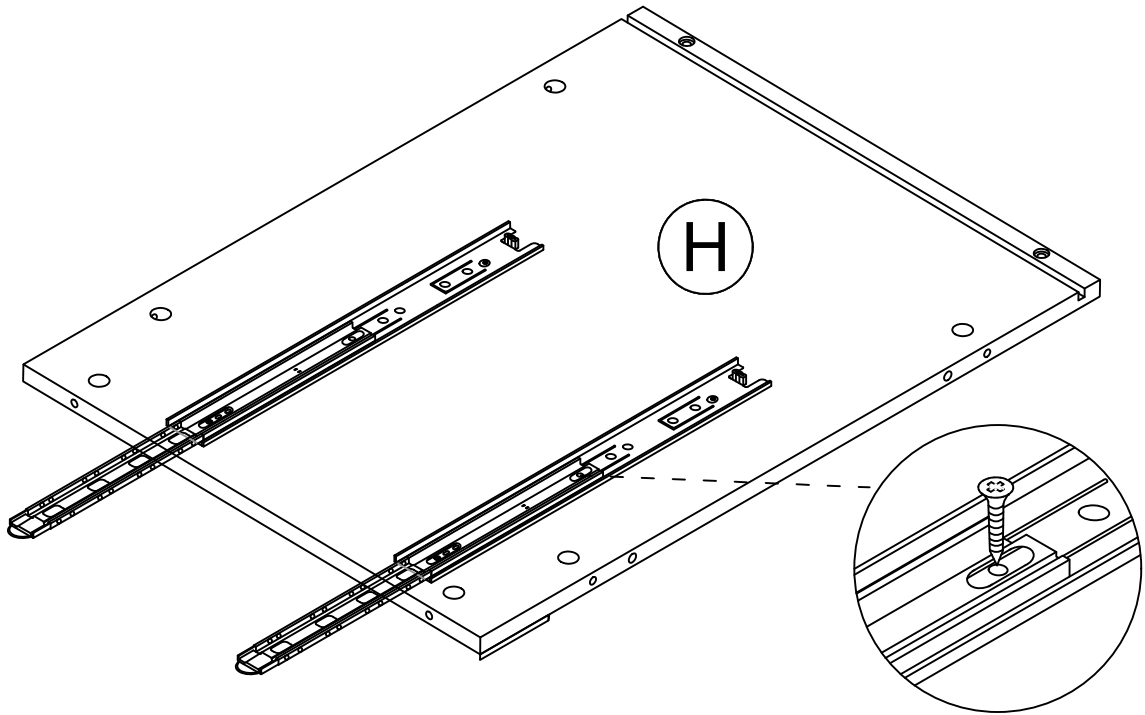


# Step 16

5



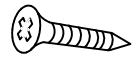
x2



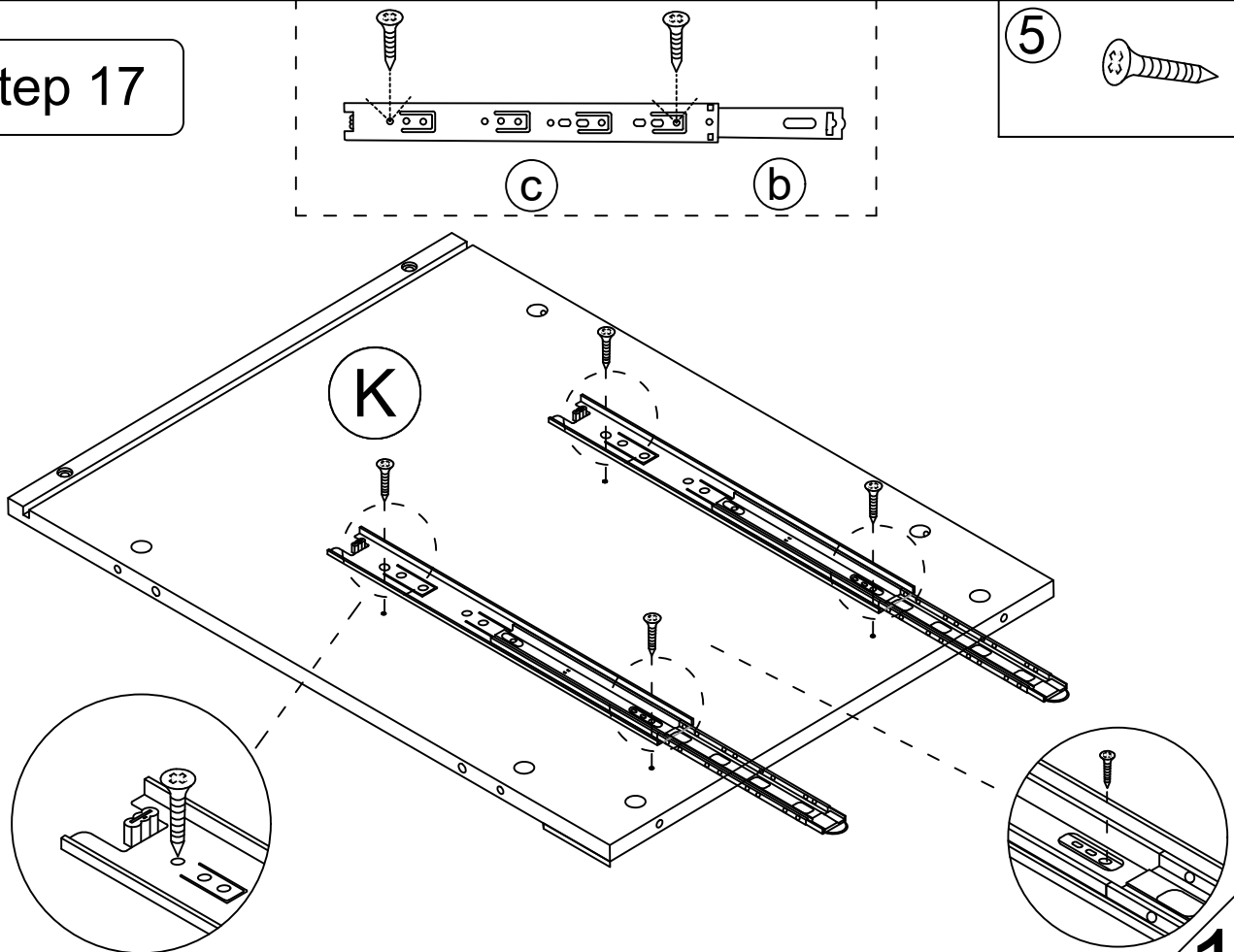
This hole is for strengthening fixed hole customers can choose to install according to their needs.

# Step 17

5

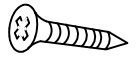


x4

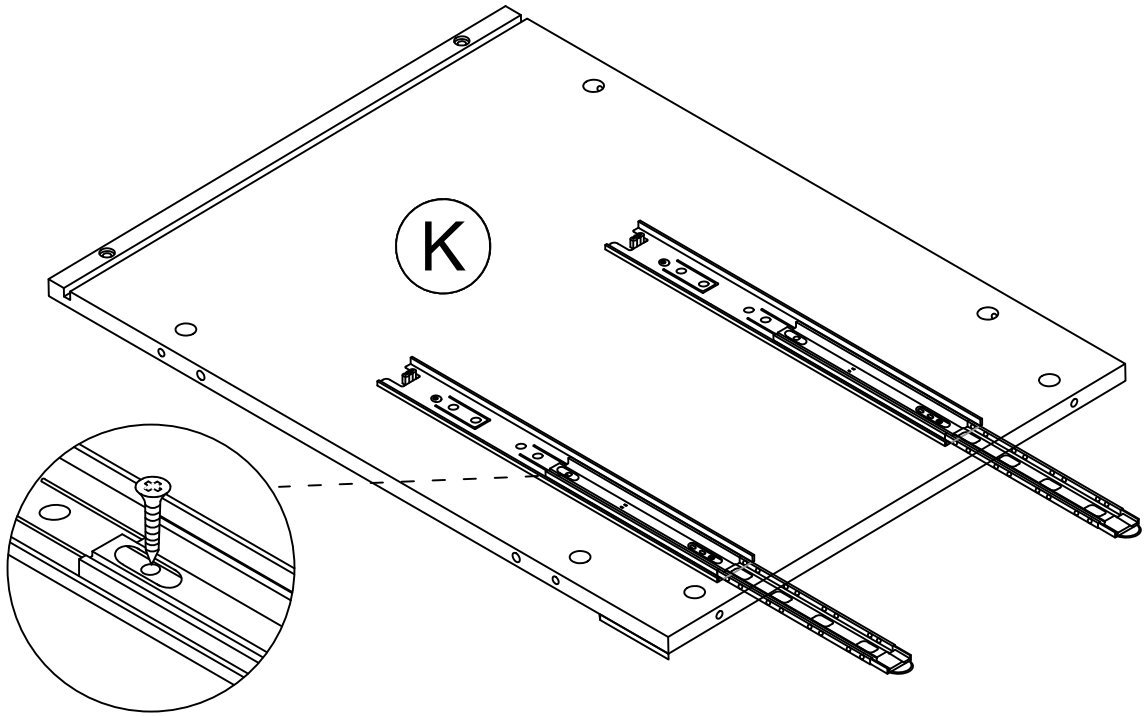


# Step 18

5



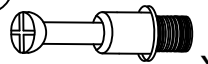
x2



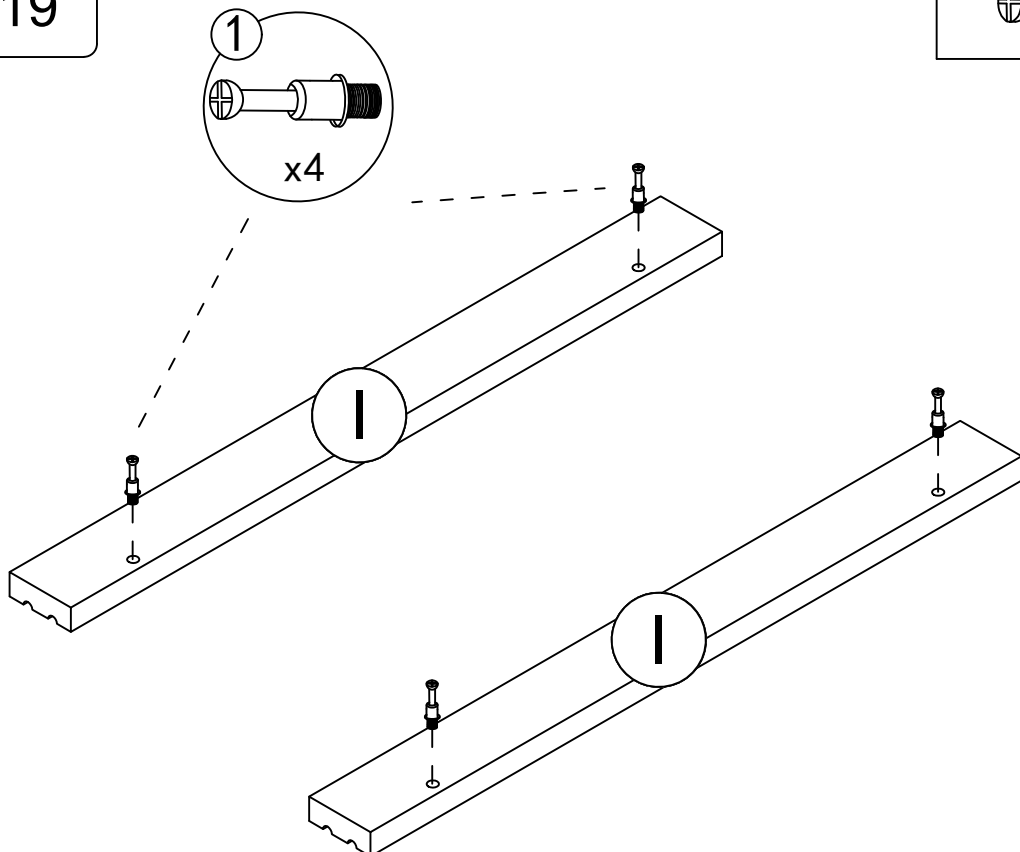
This hole is for strengthening fixed hole customers can choose to install according to their needs.

# Step 19

1

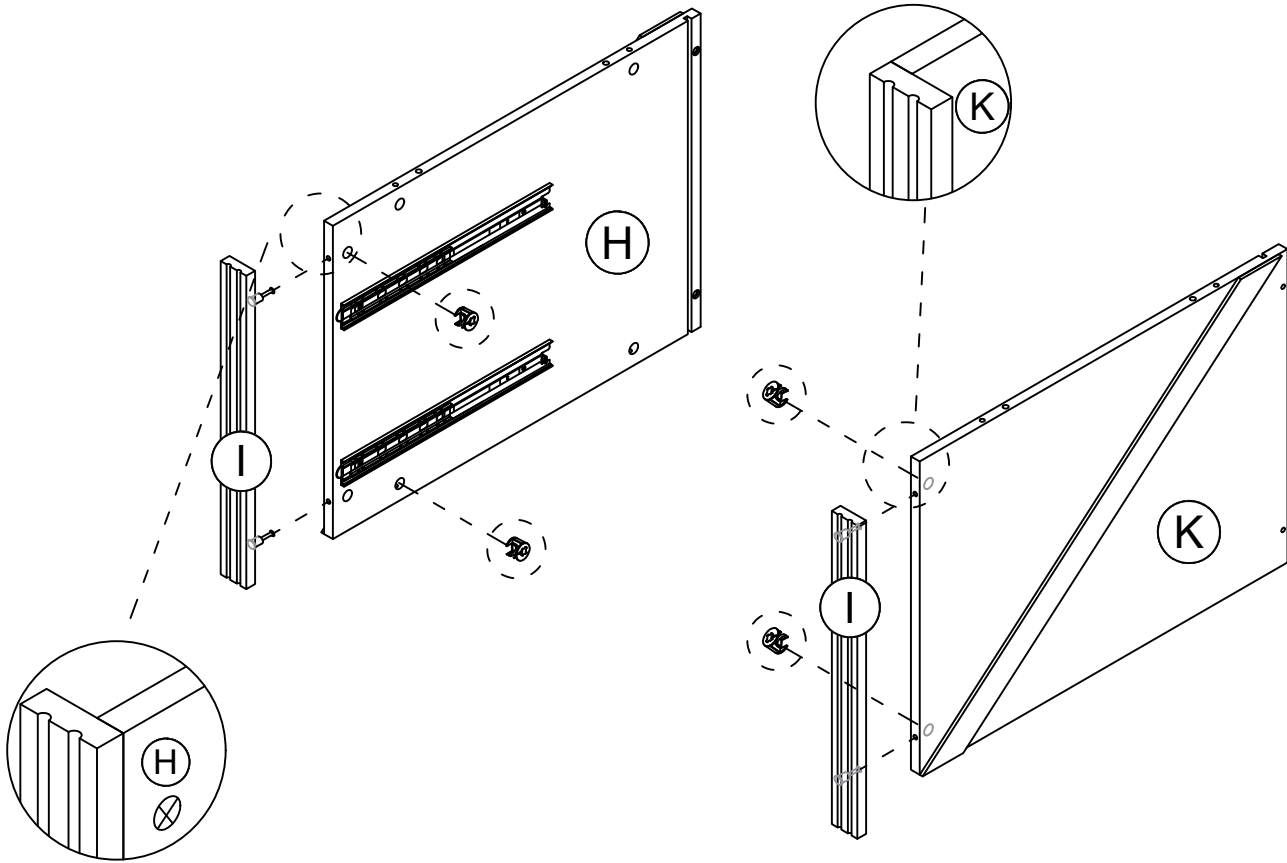


x4

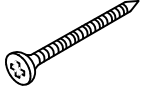


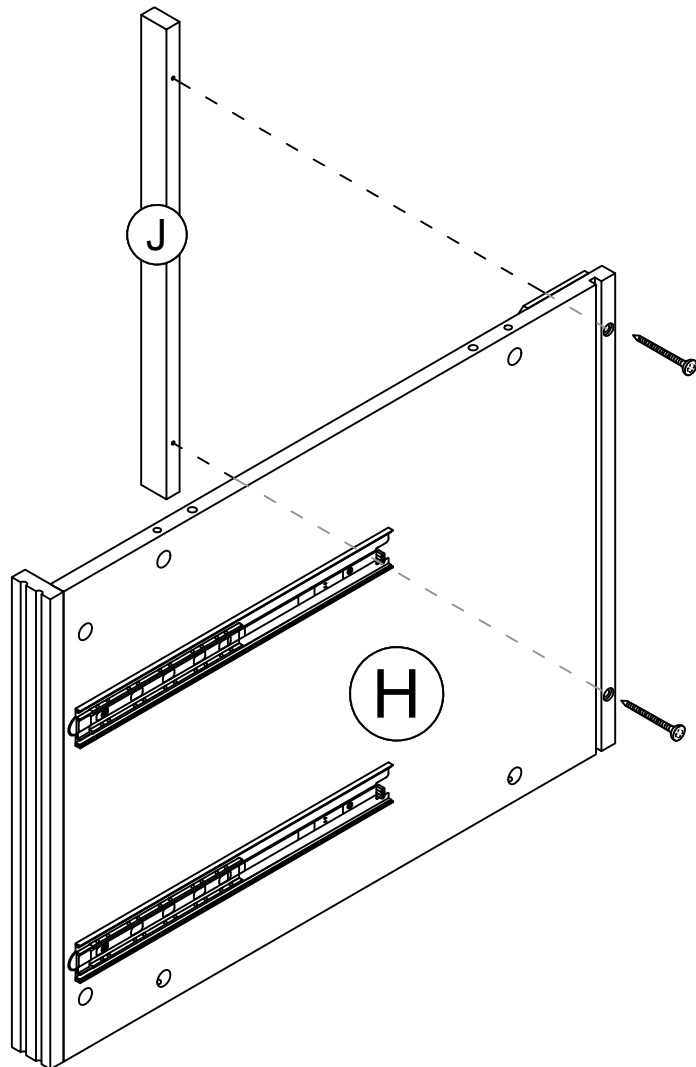
Step 20

2  x4



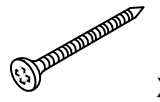
Step 21

7  x2

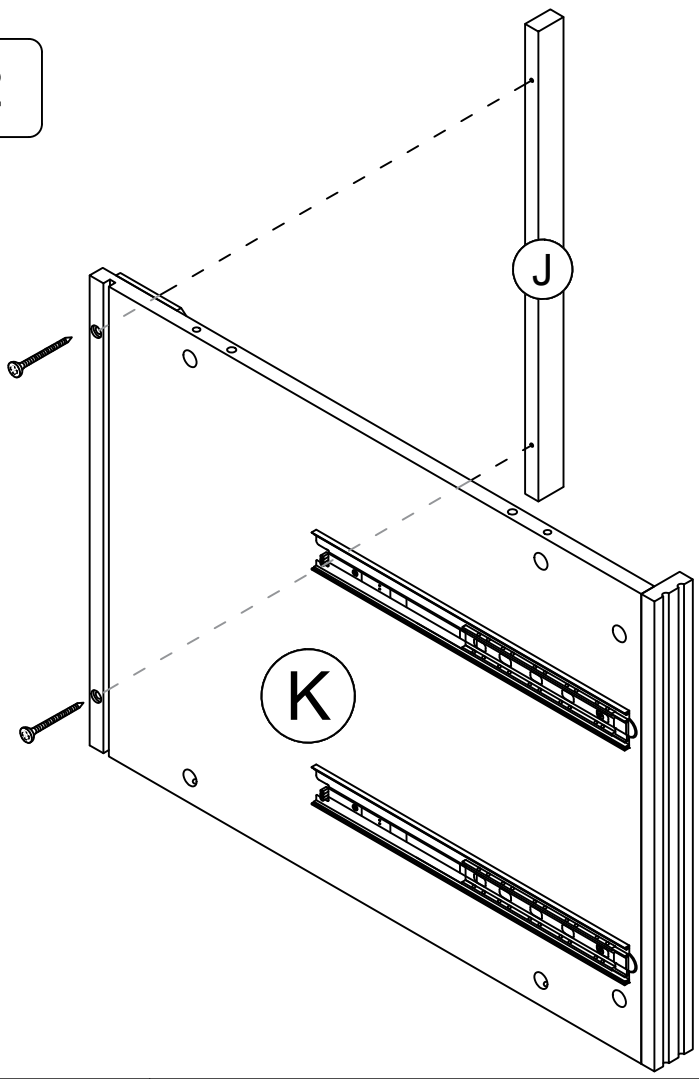


# Step 22

7

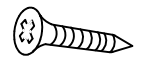


x2

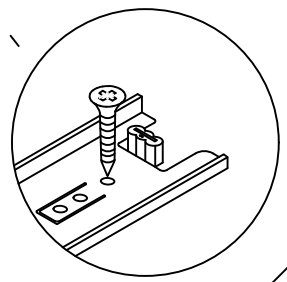
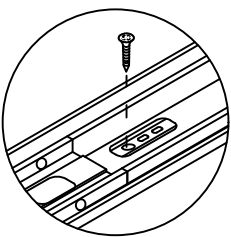
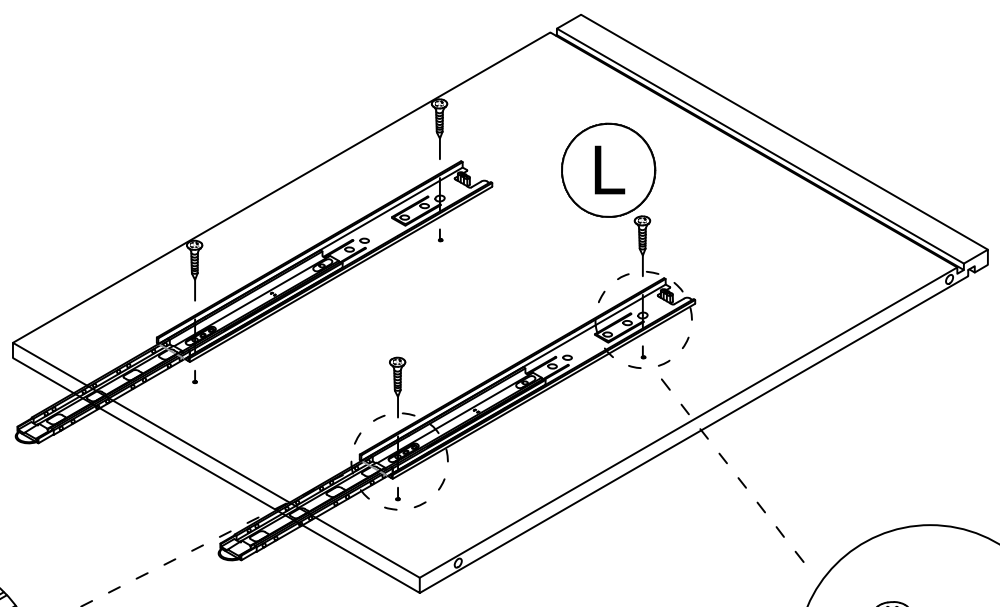
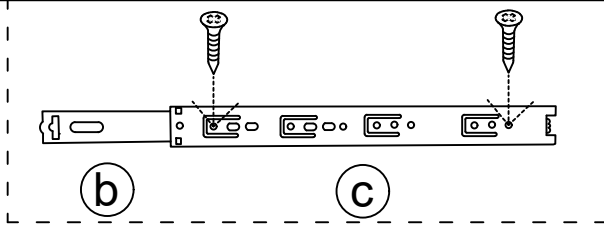


# Step 23

5

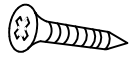


x4

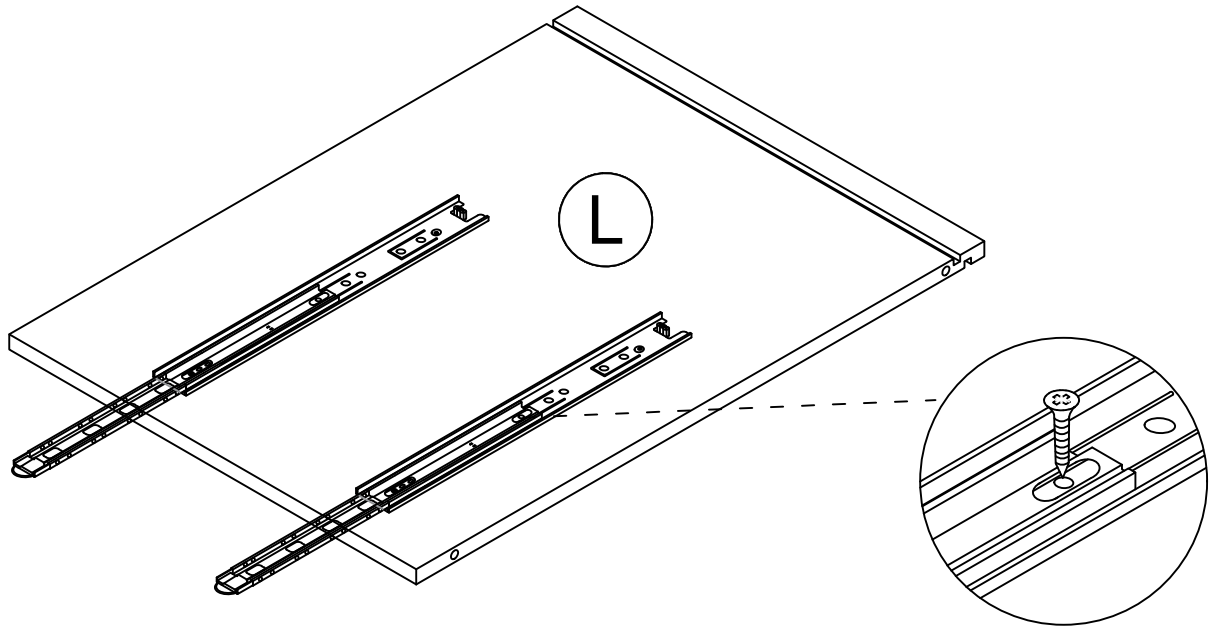


## Step 24

5

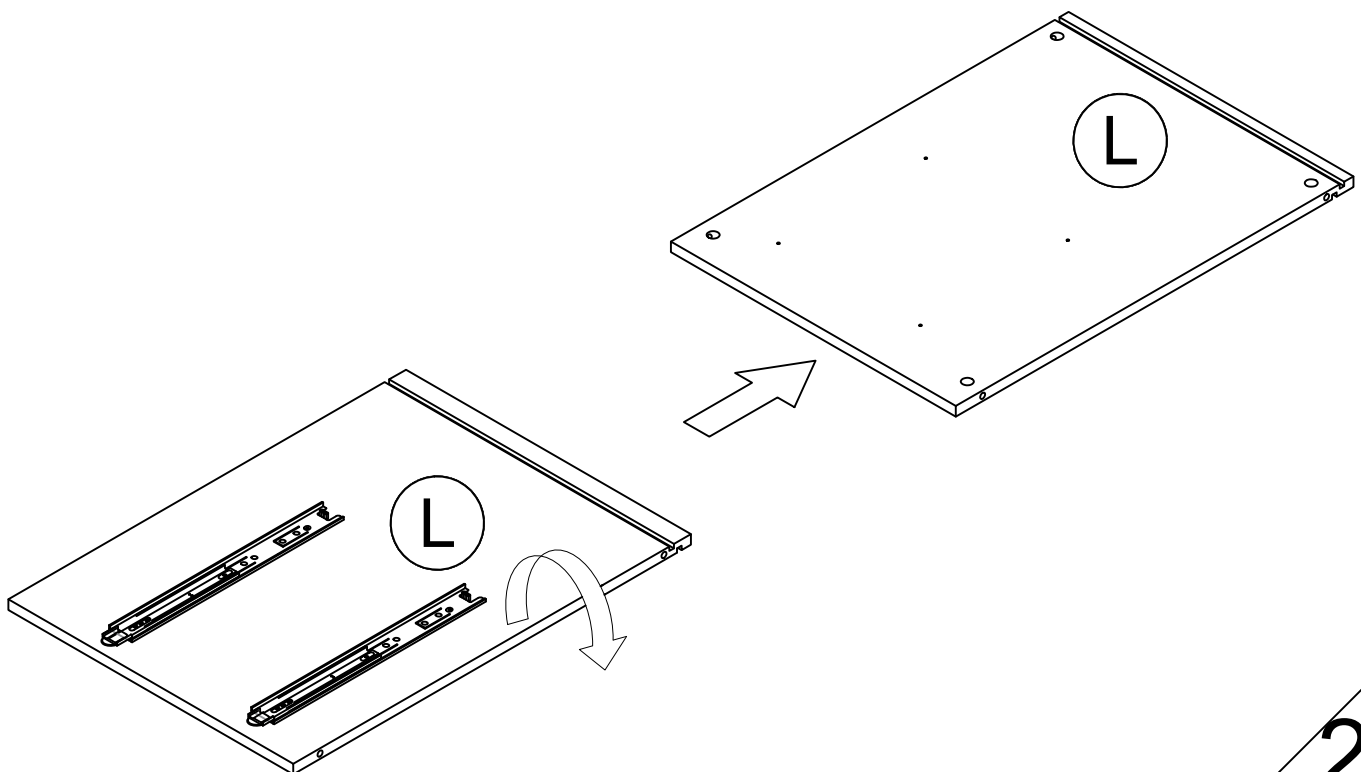


x2

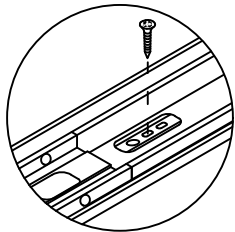
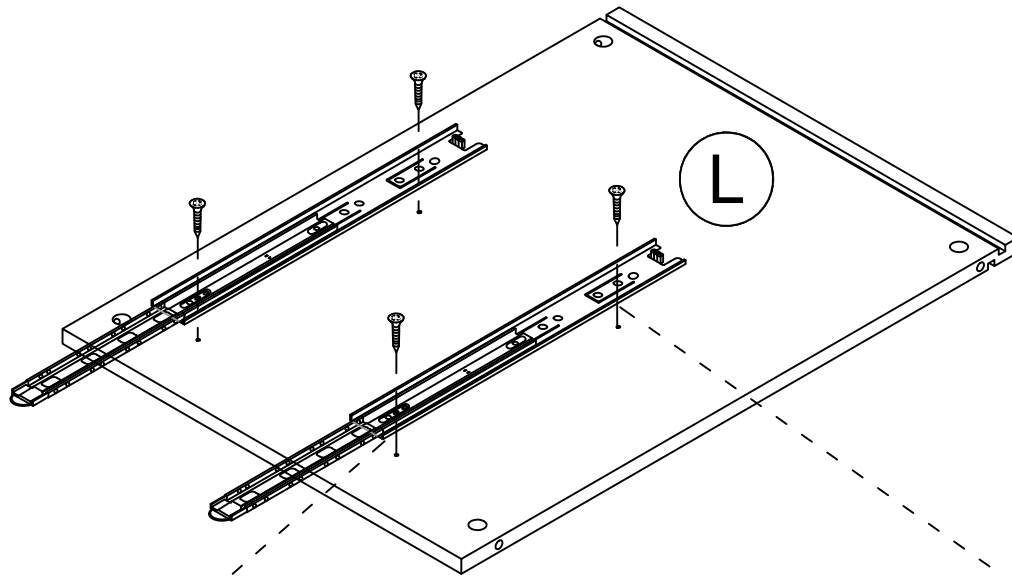
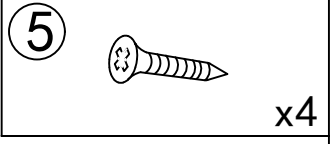
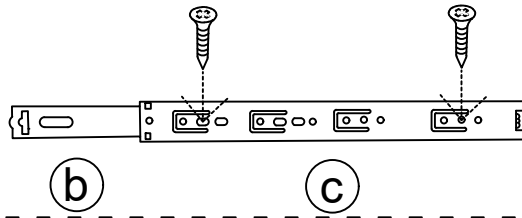


This hole is for strengthening fixed hole customers can choose to install according to their needs.

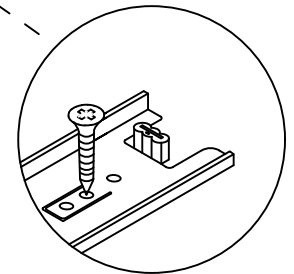
## Step 25



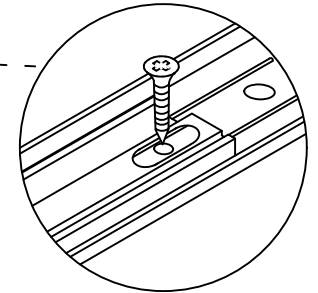
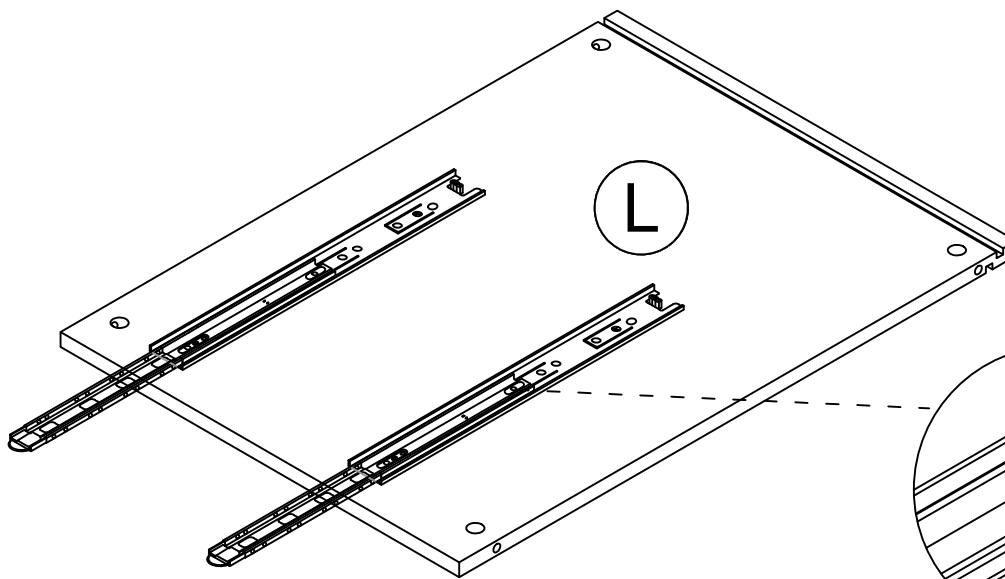
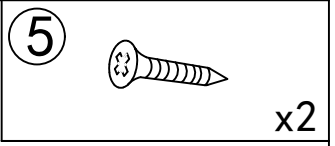
# Step 26



Note that this location is different

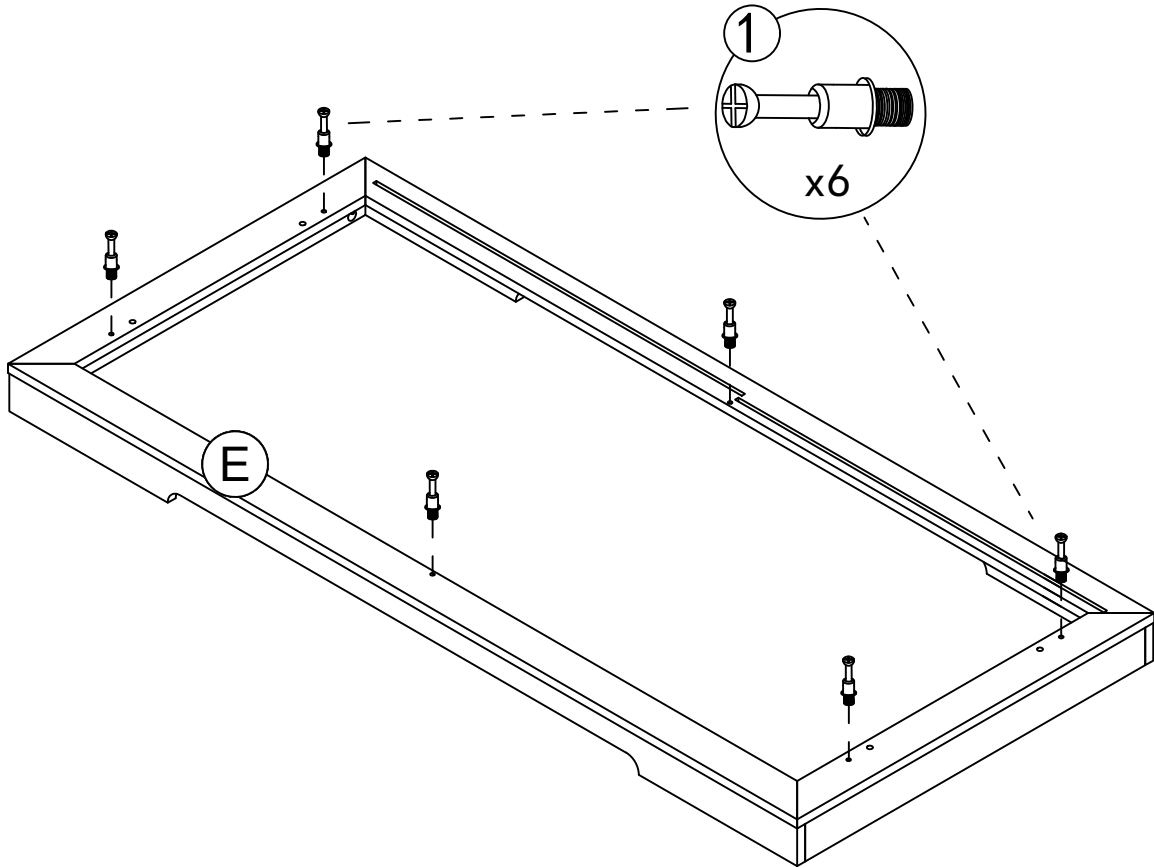
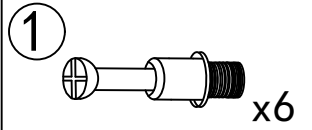


# Step 27

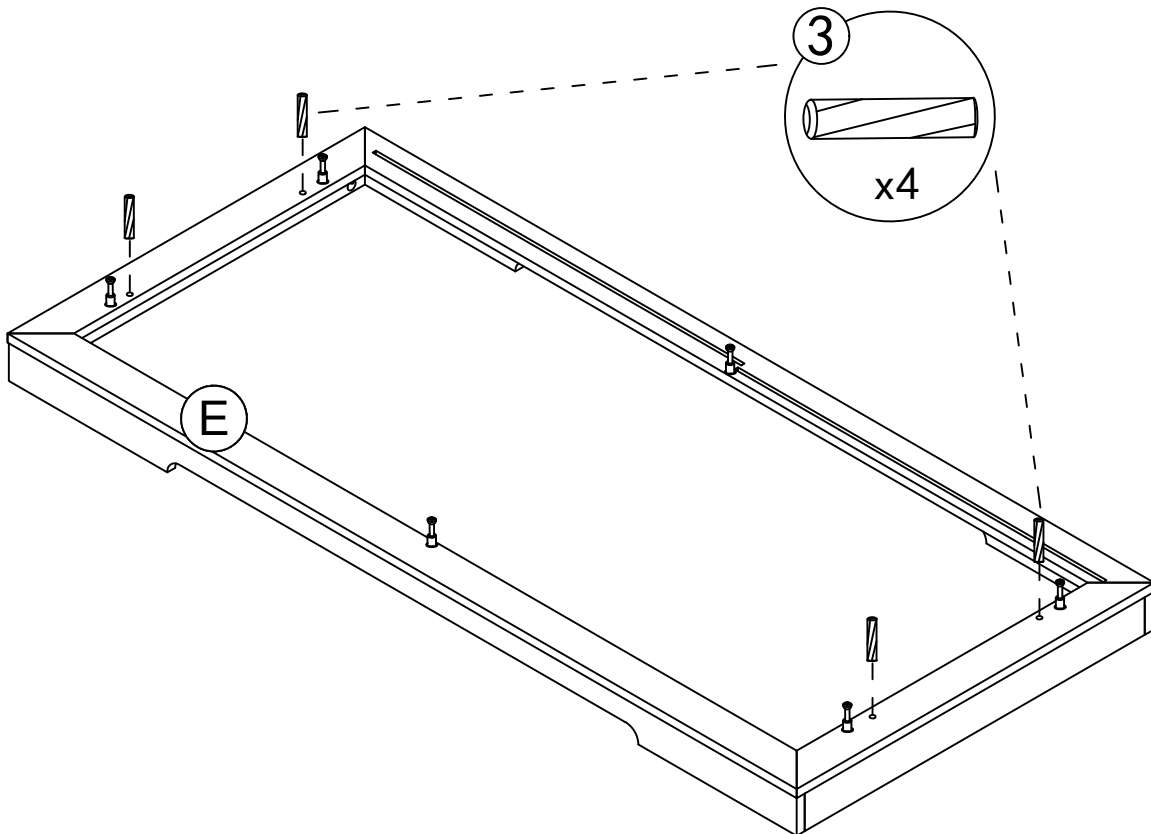
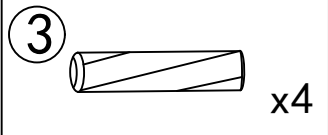


This hole is for strengthening fixed hole customers can choose to install according to their needs.


# Step 28

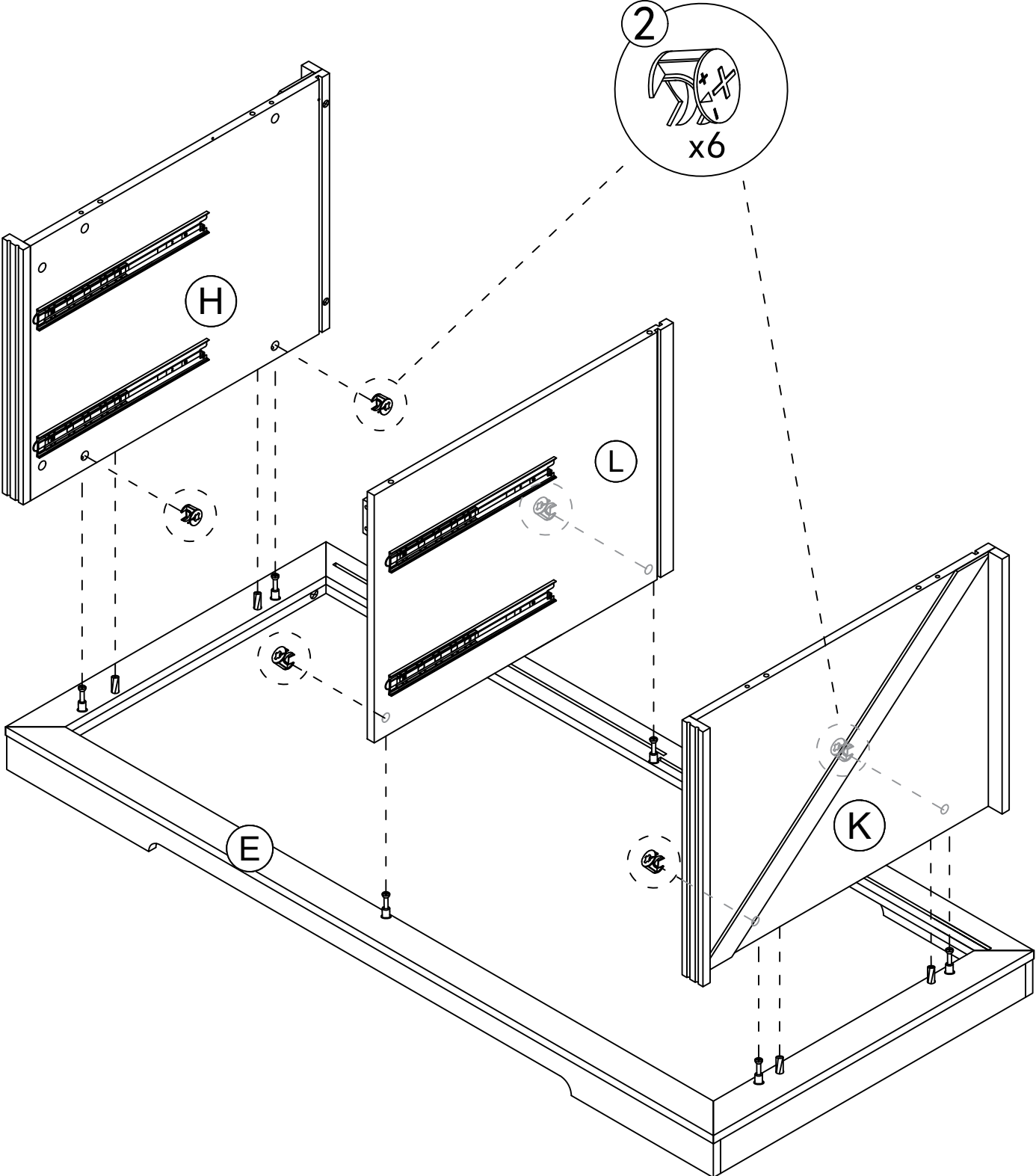


# Step 29

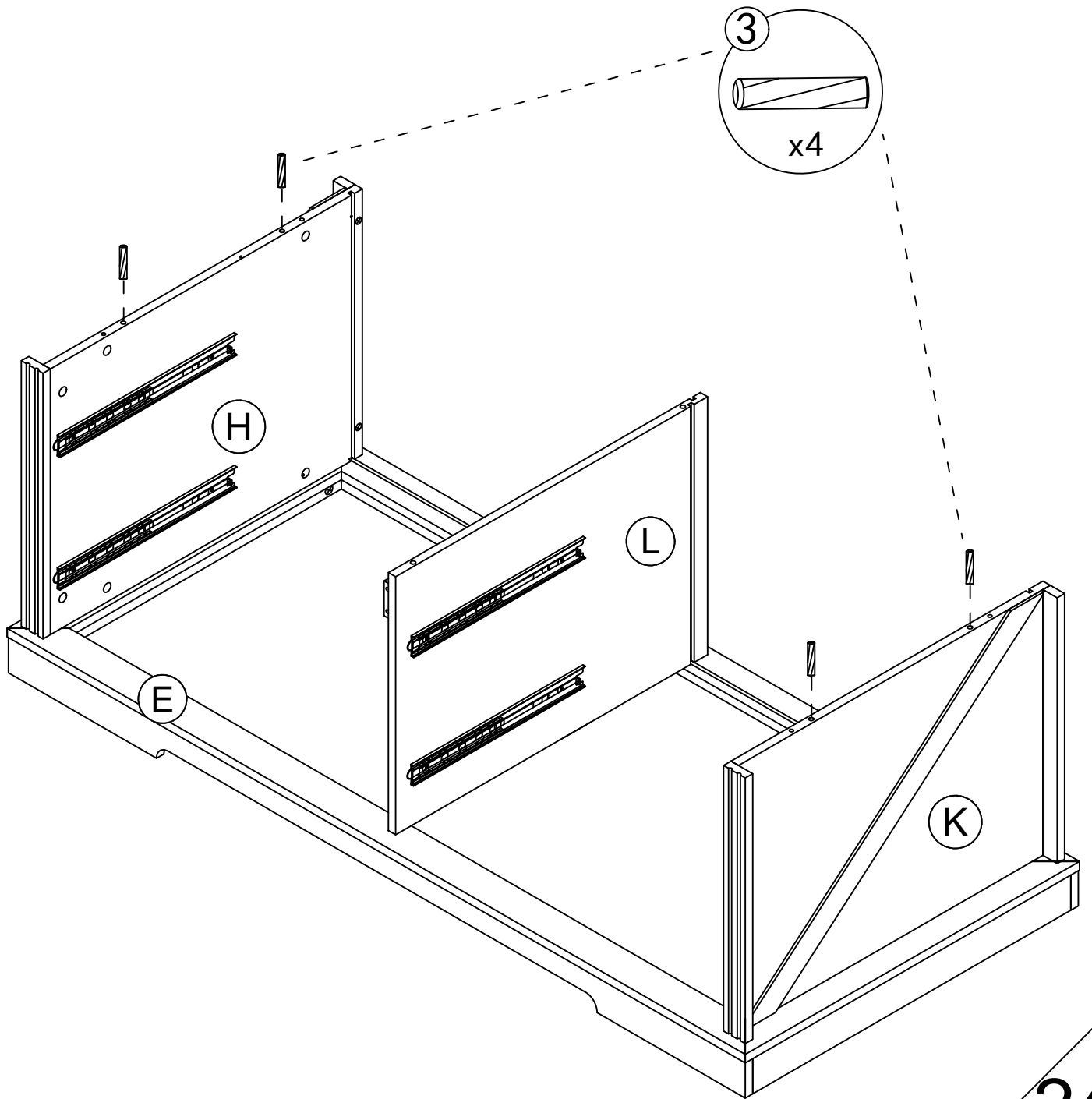
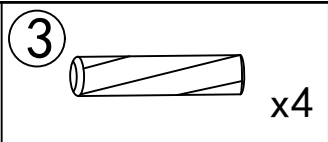


Step 30

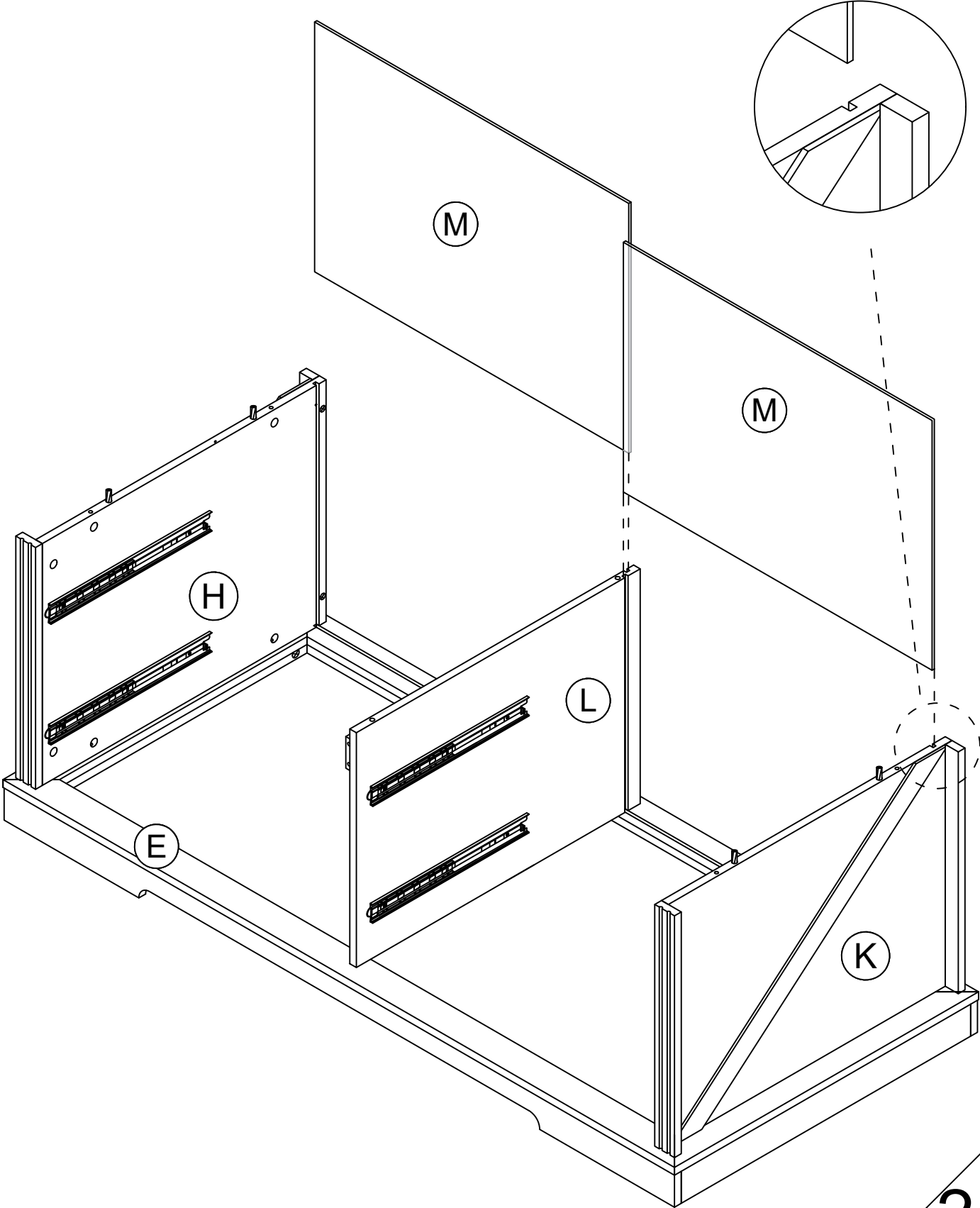
2  x6



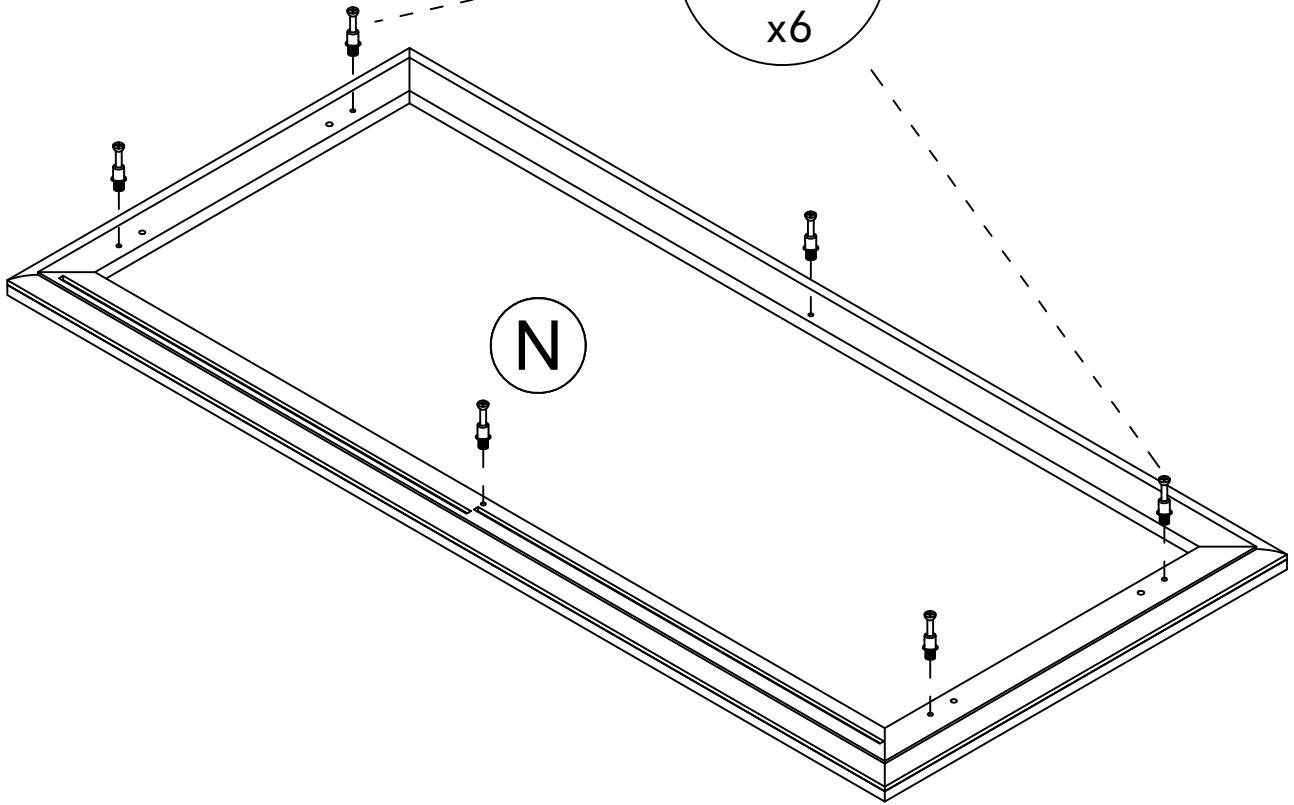
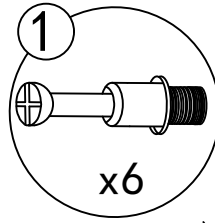
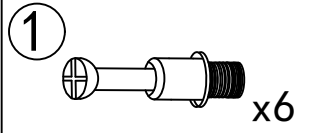
Step 31



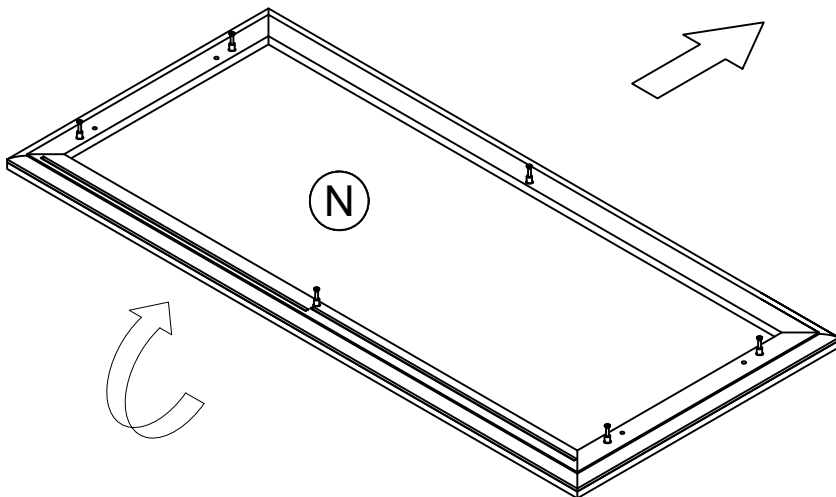
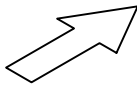
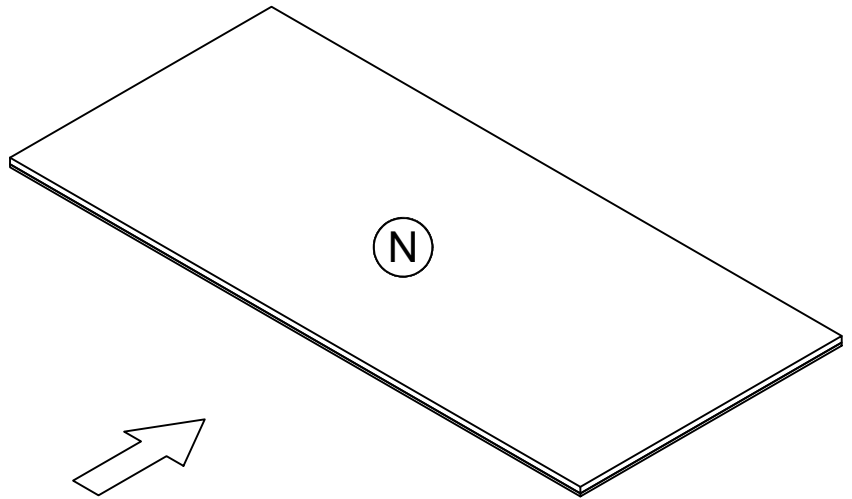
Step 32




Step 33

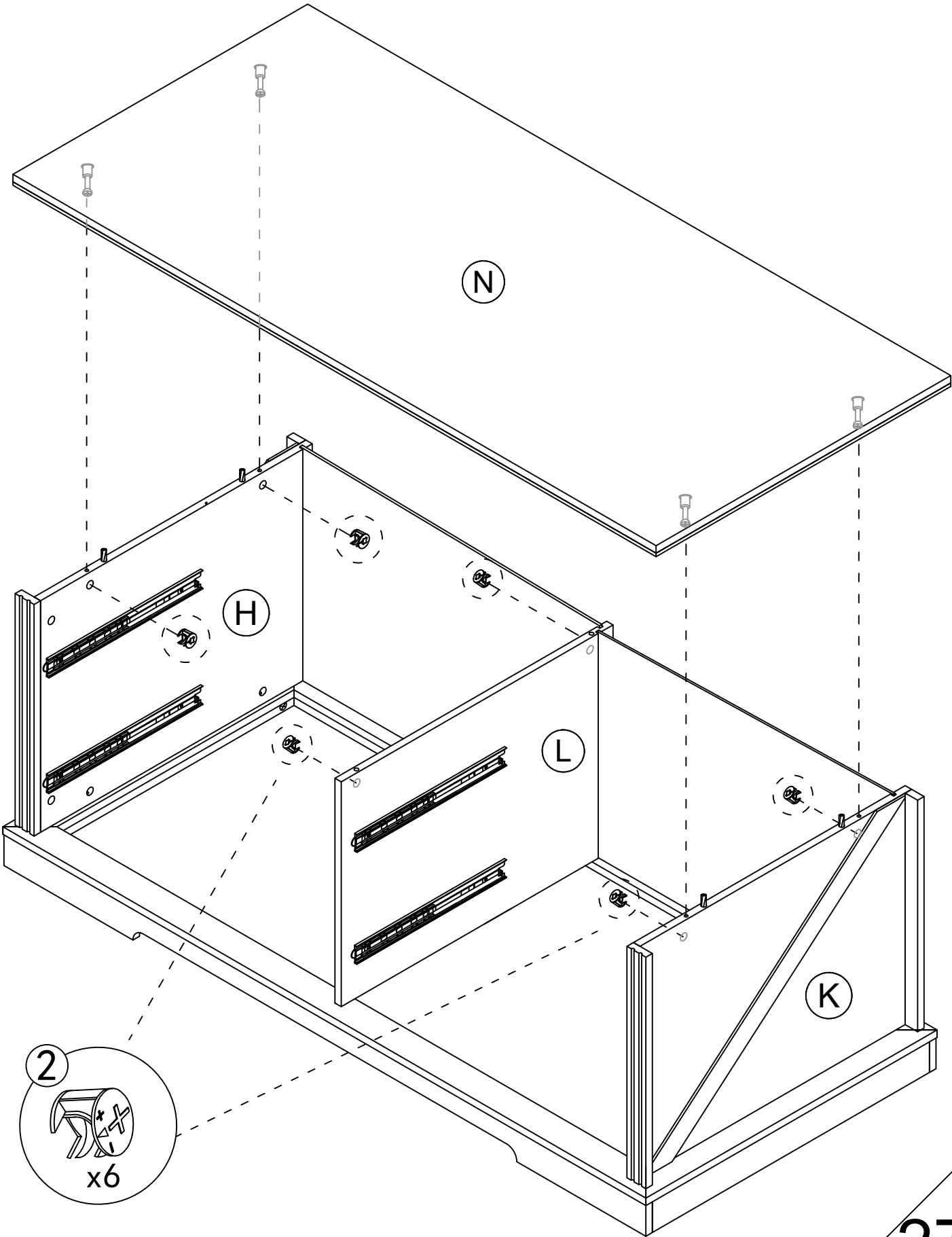


Step 34

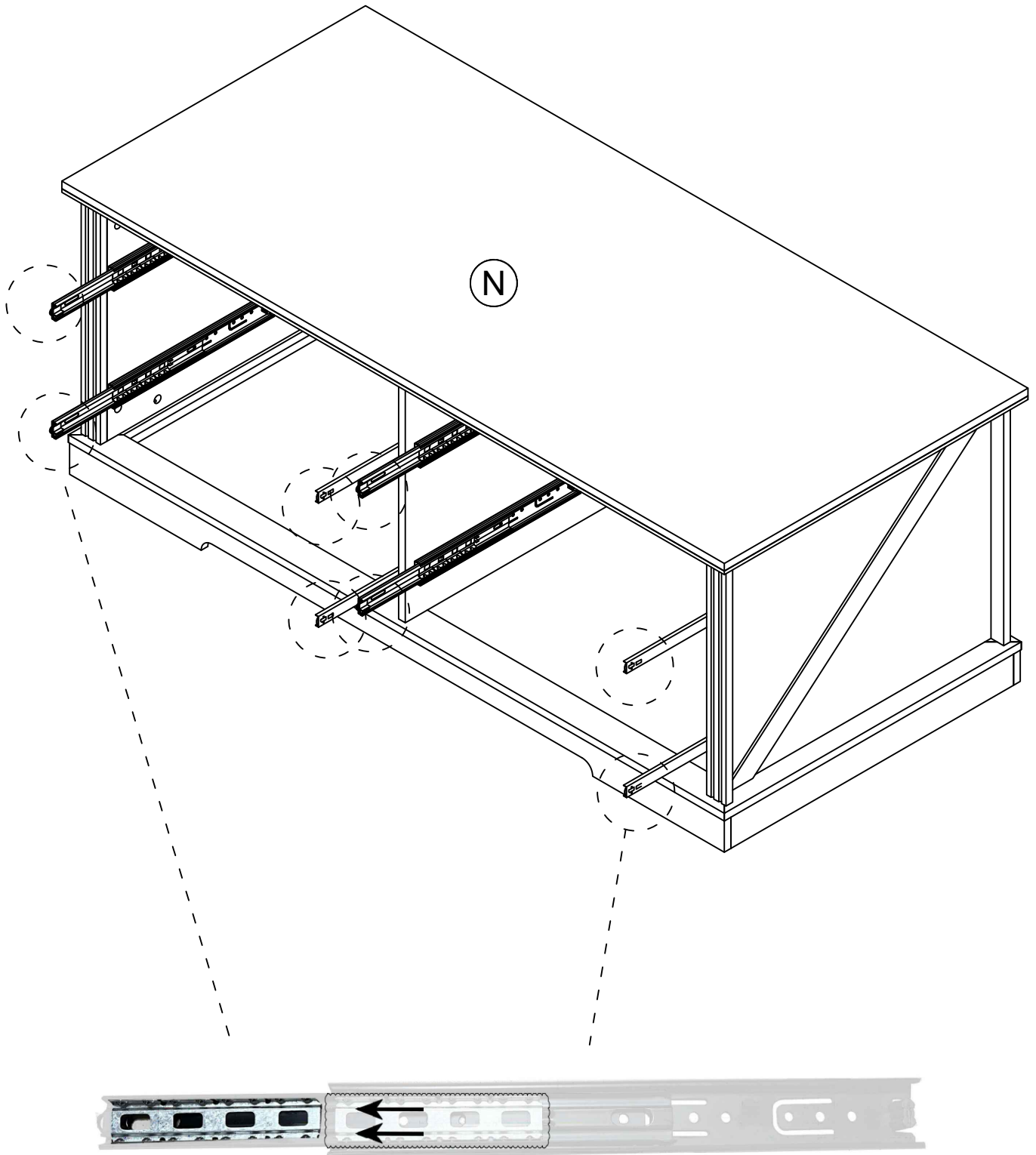


Step 35

2  x6

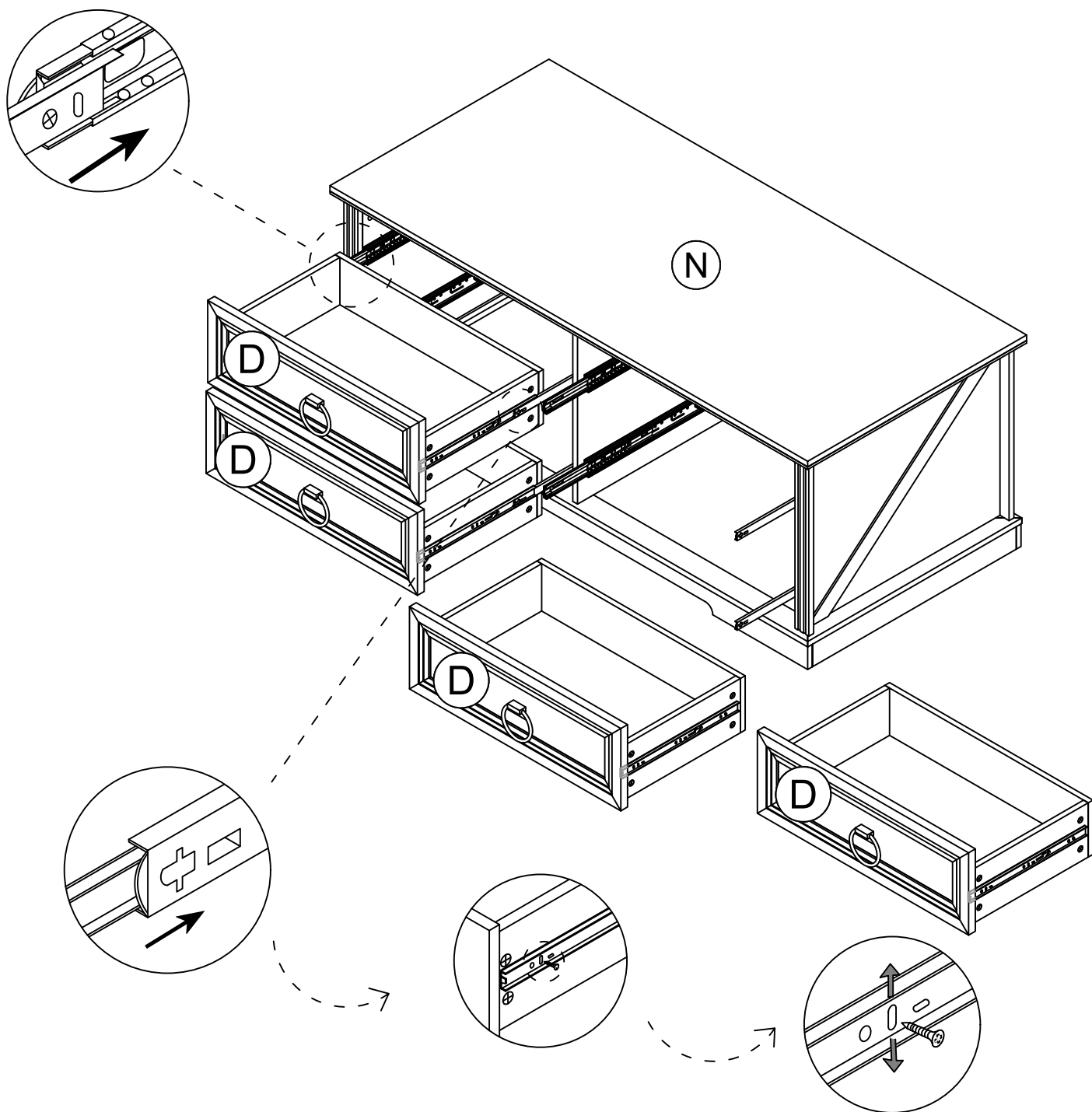


## Step 36





As shown, When installing the drawer,  
pull the guide rail out first, Slide beads are also pulled out.

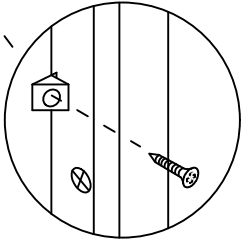
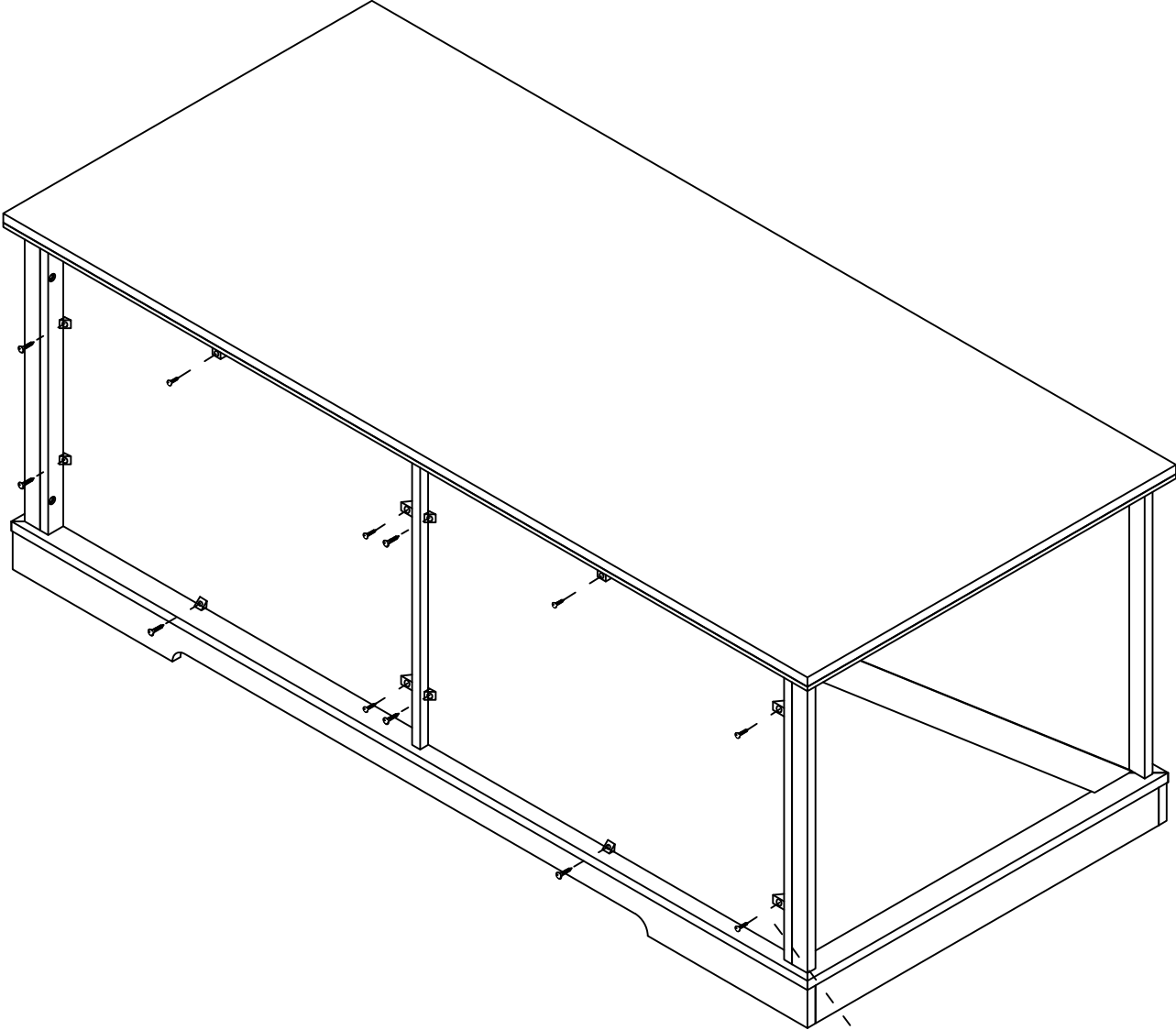
## Step 37



If a large gap is found after installing the drawer the slide rail can be moved up and down to adjust the gap

# Step 38

8  x12  x12



Step 39

