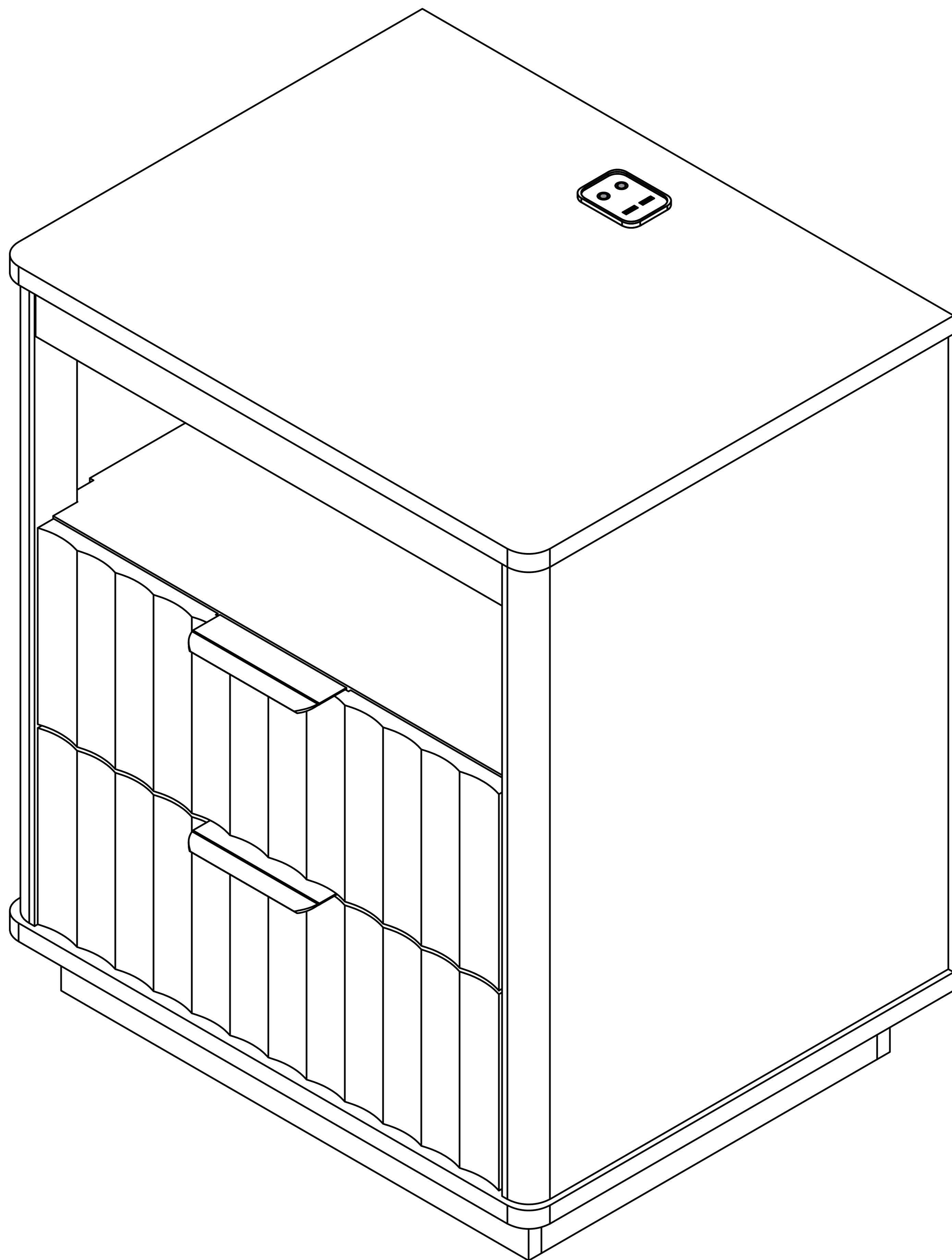
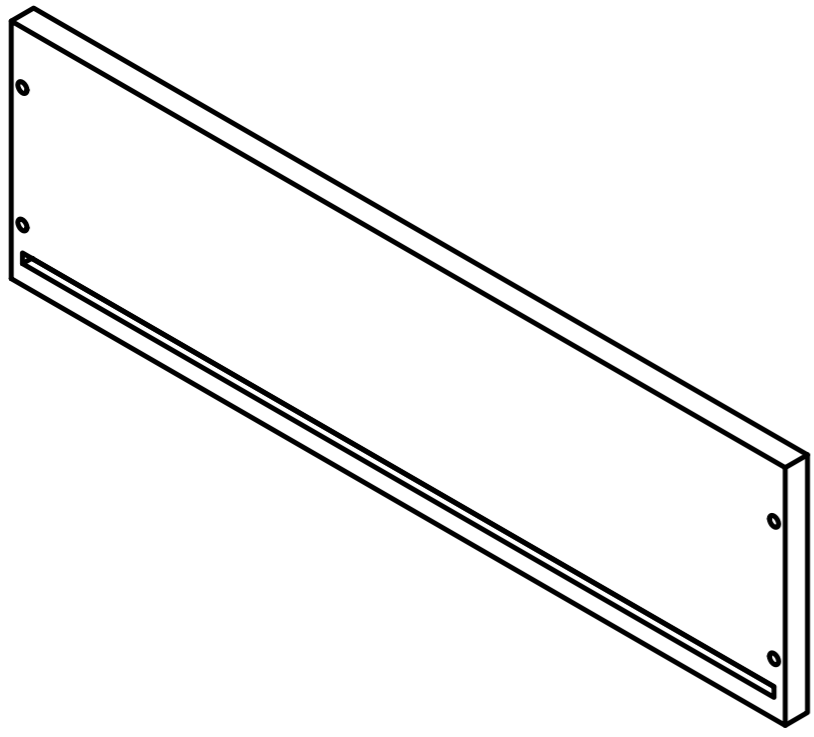
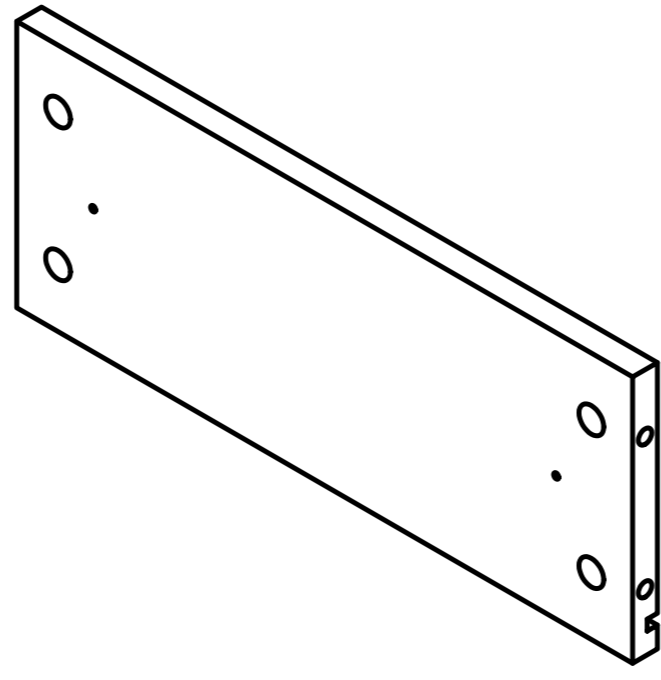


Product Installation Instructions

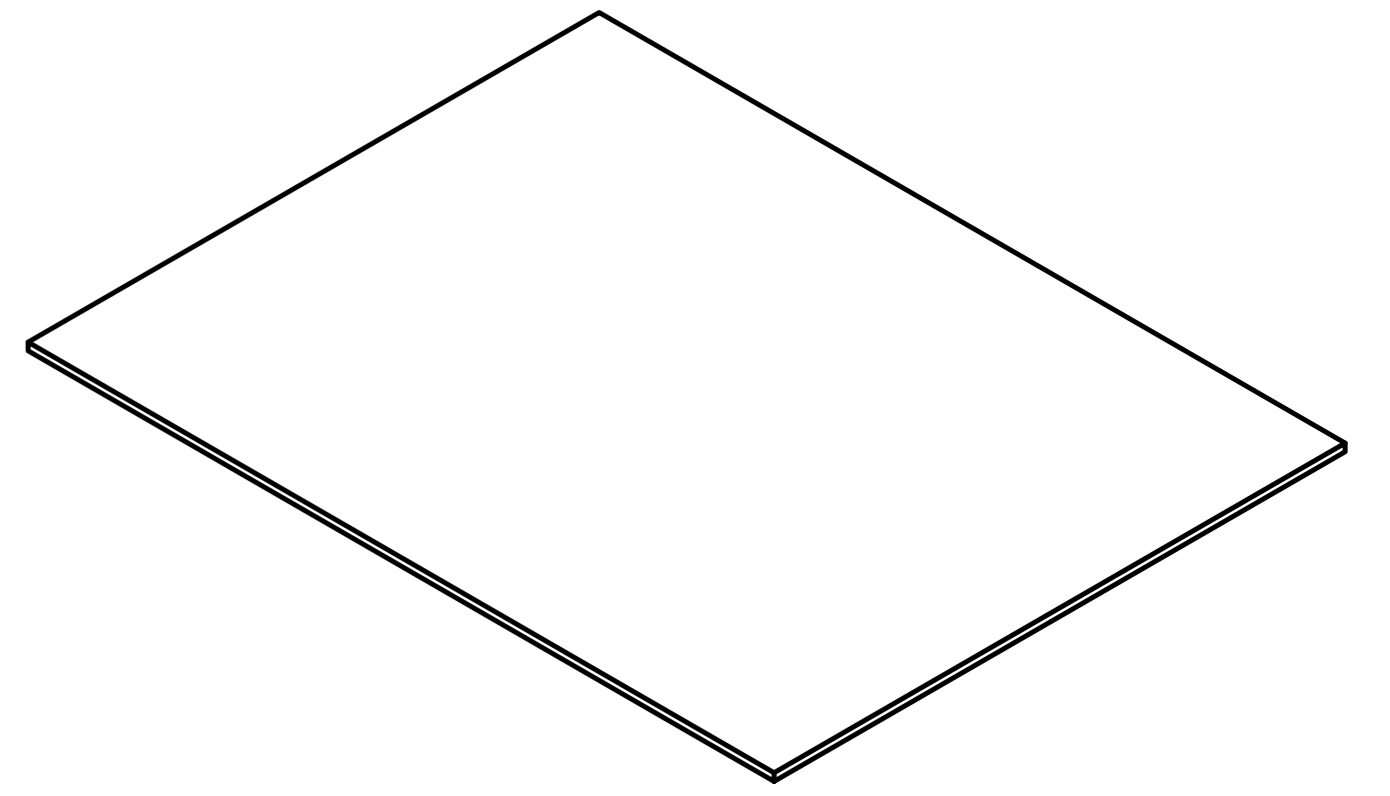




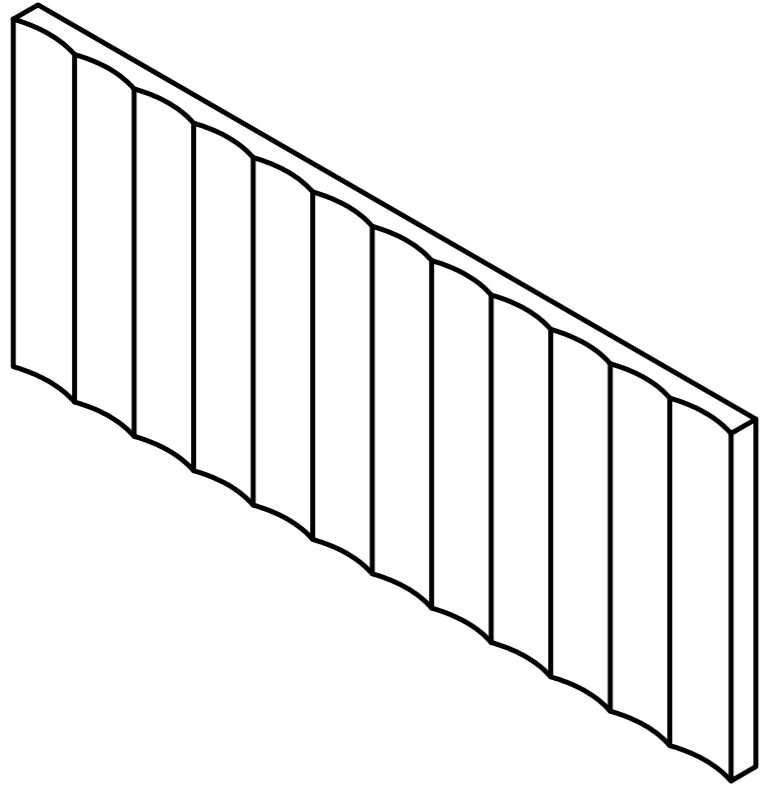
Ax2



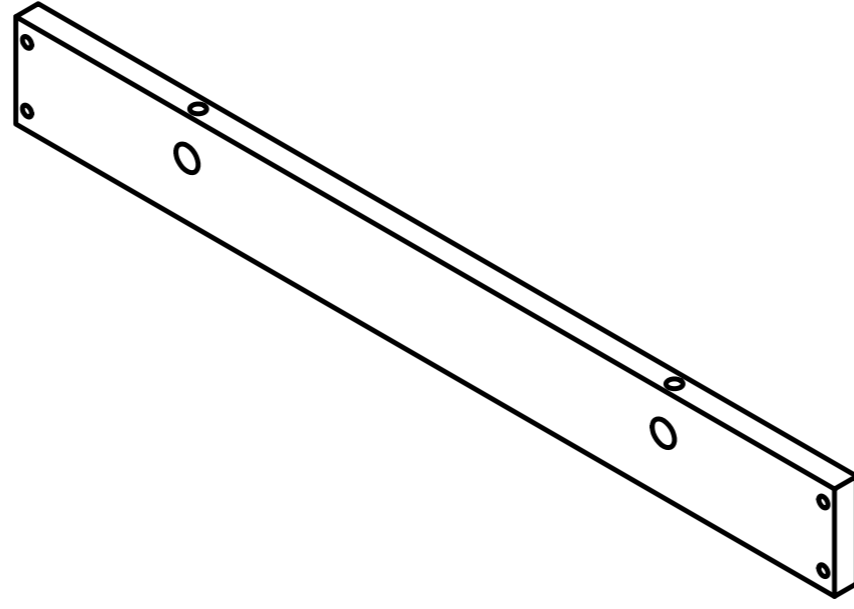
Bx4



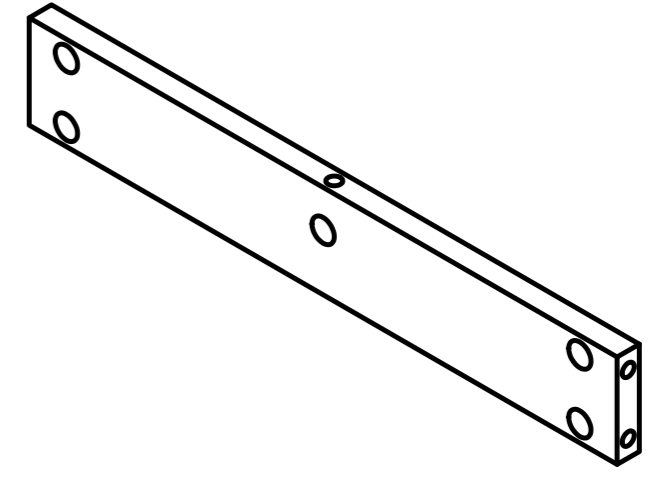
Cx2



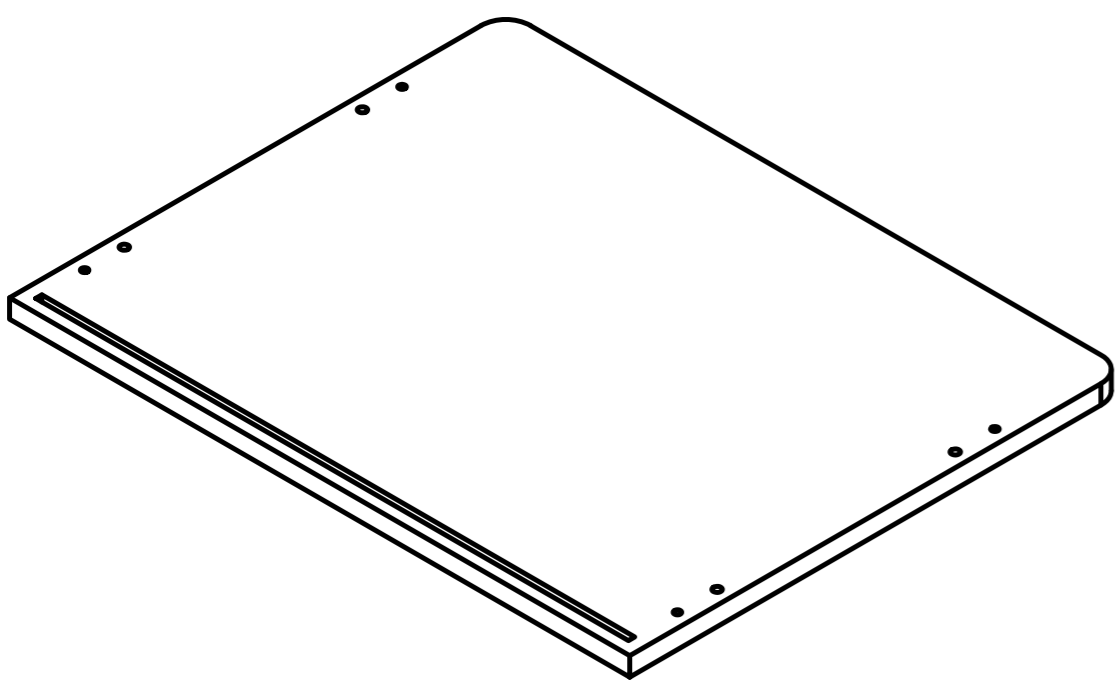
Dx2



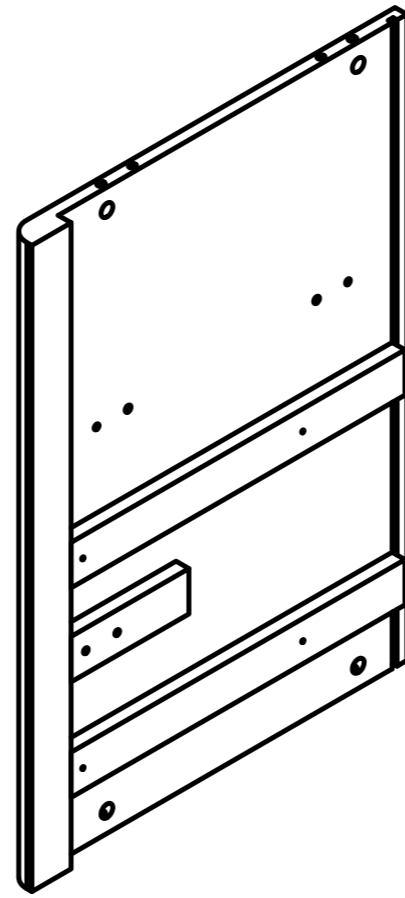
Ex2



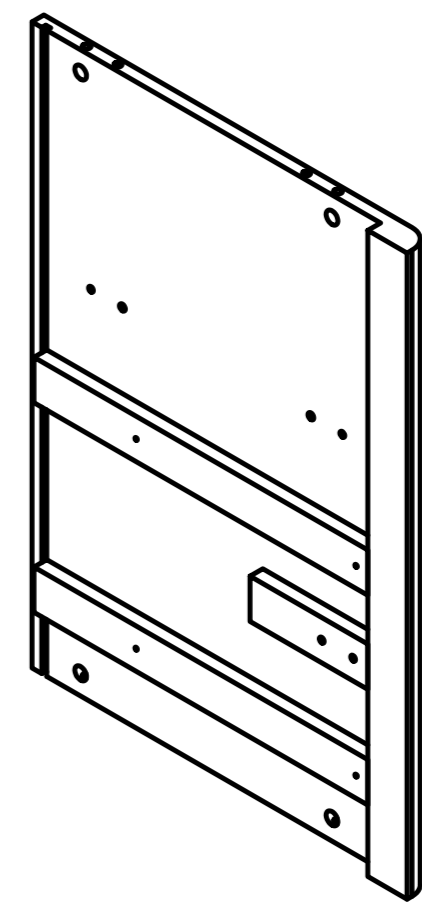
Fx2



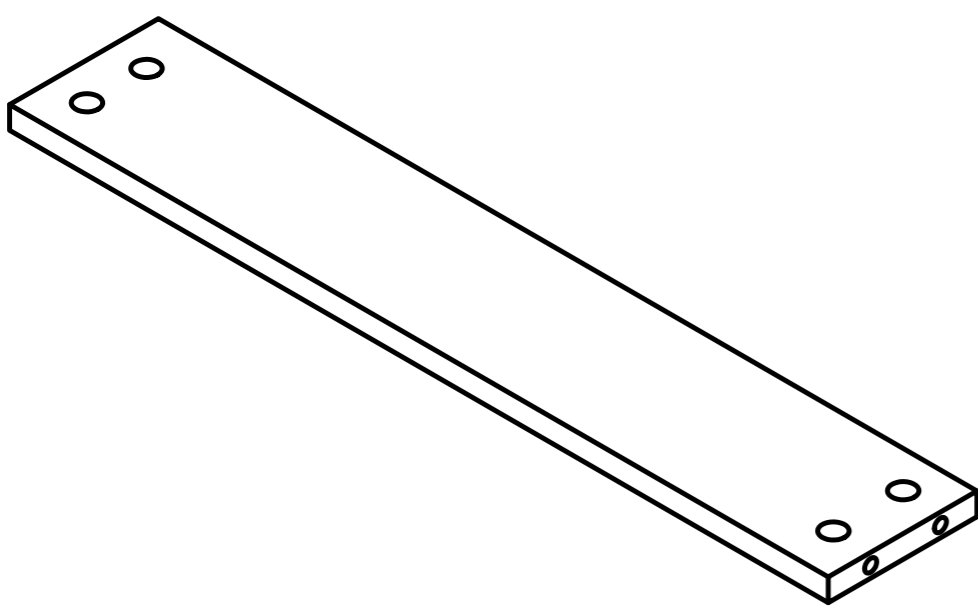
Gx1



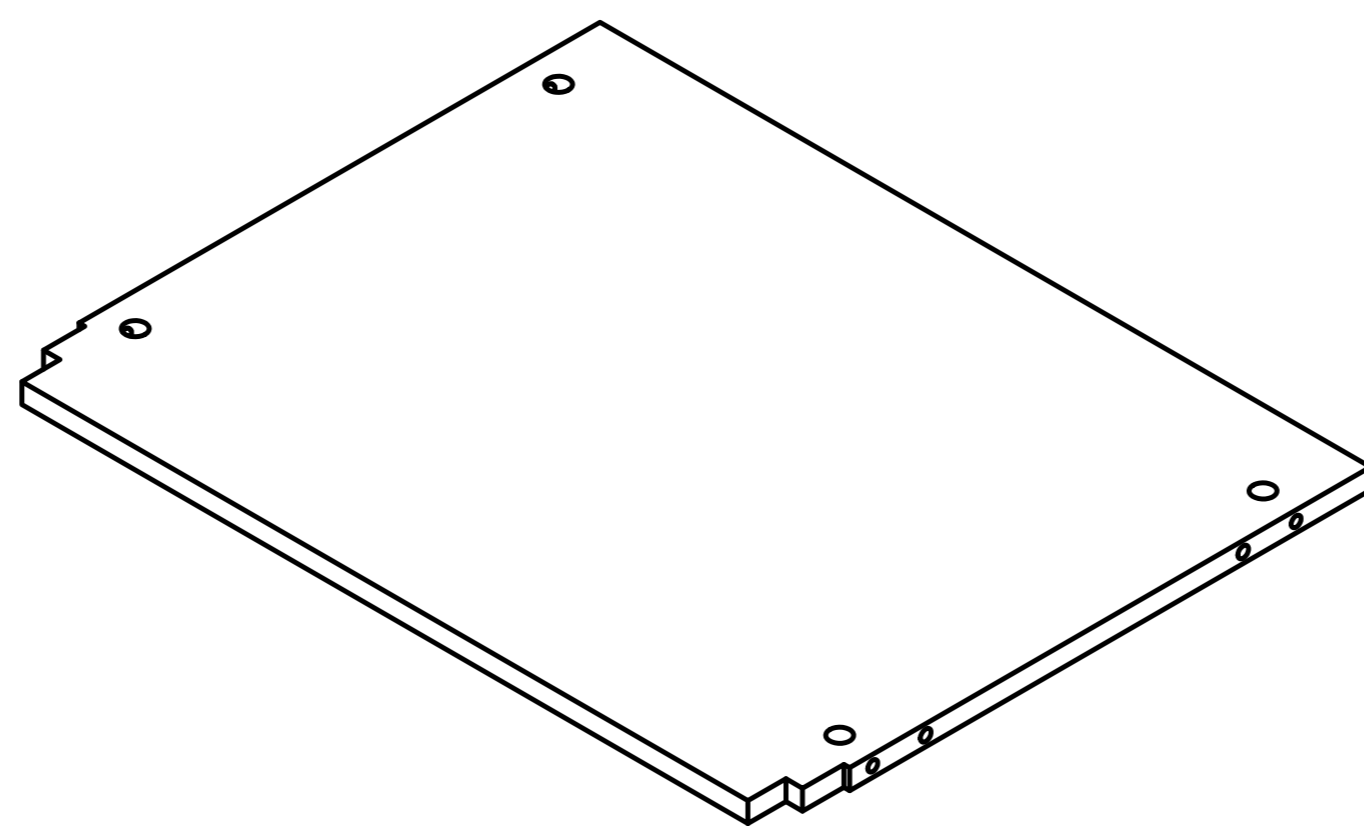
Hx1



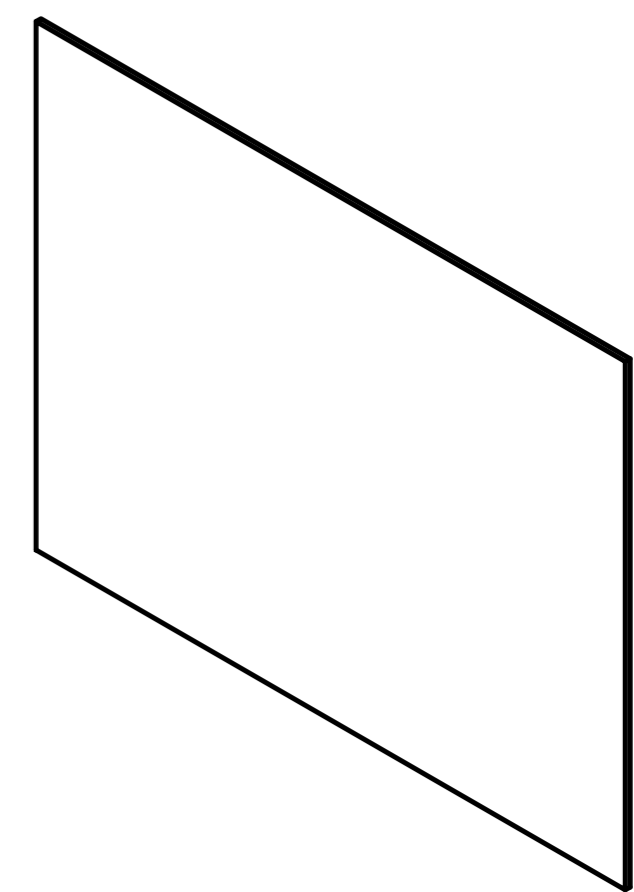
Ix1



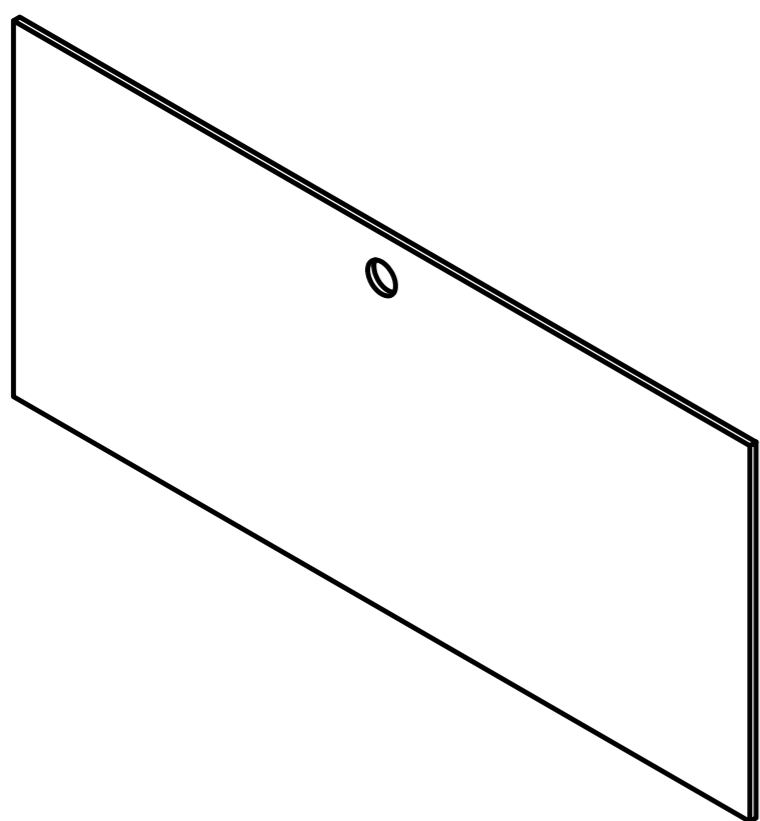
Jx1



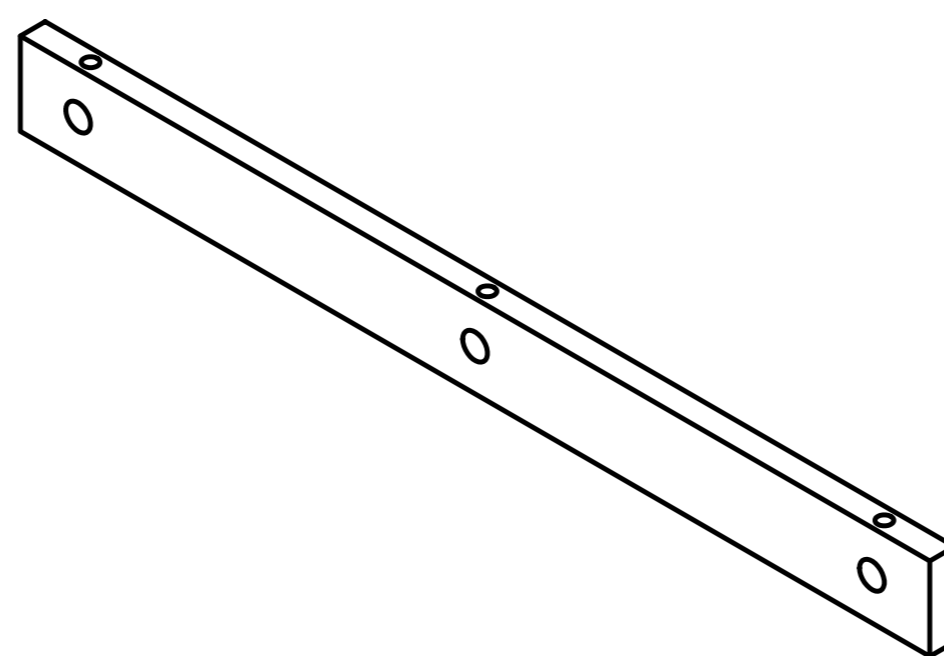
Kx1



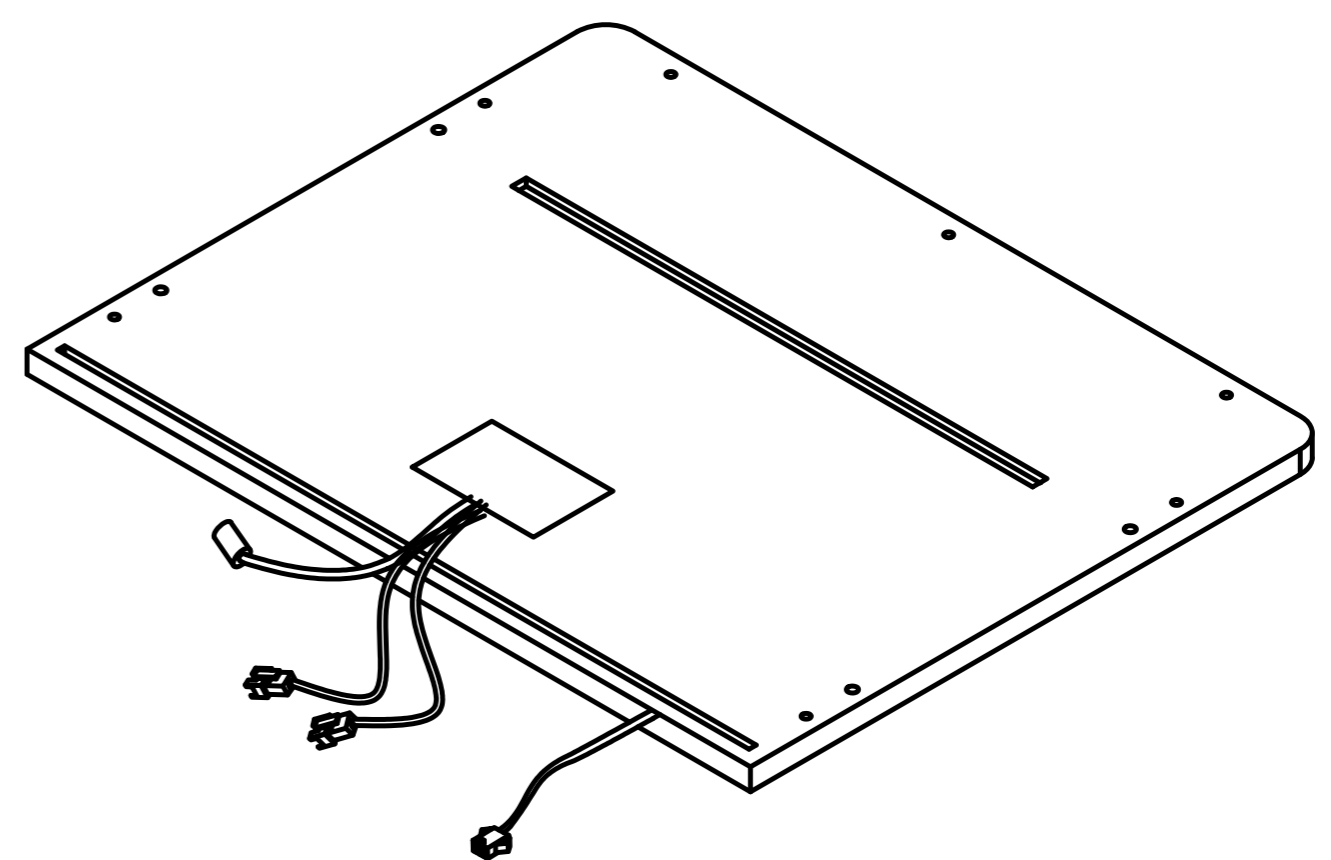
Lx1



Mx1



Nx1

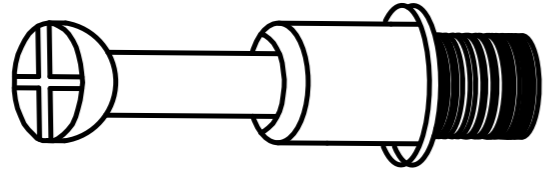
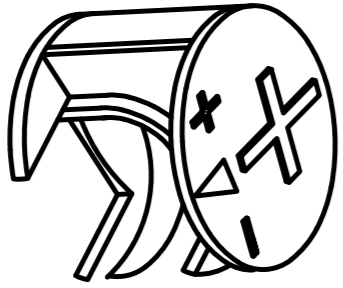
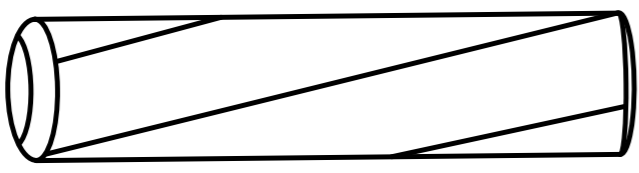
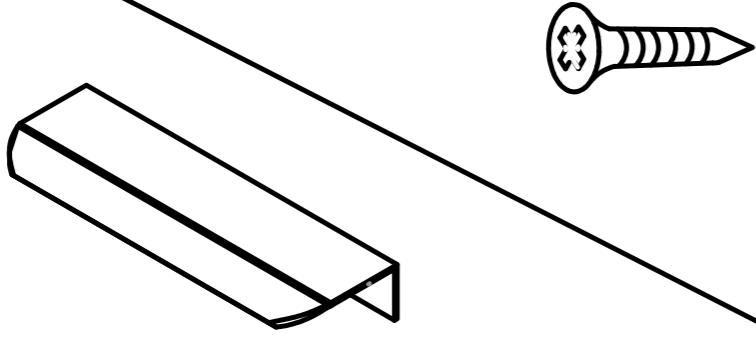
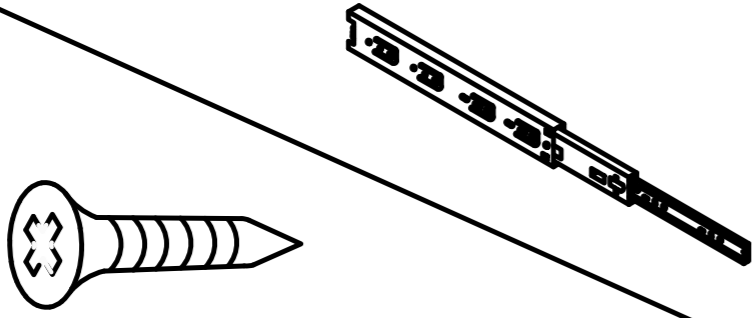

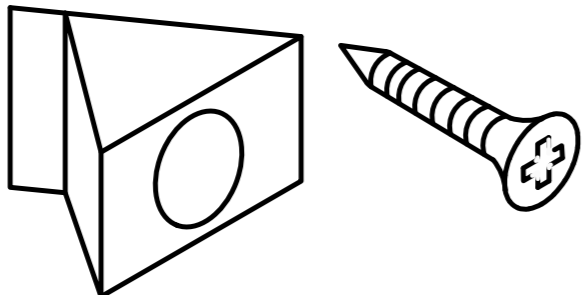
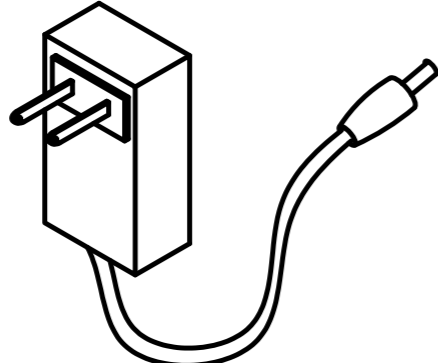


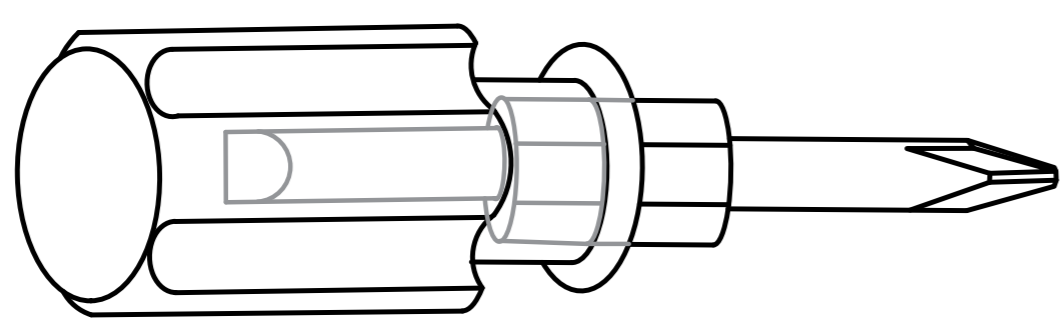
Ox1



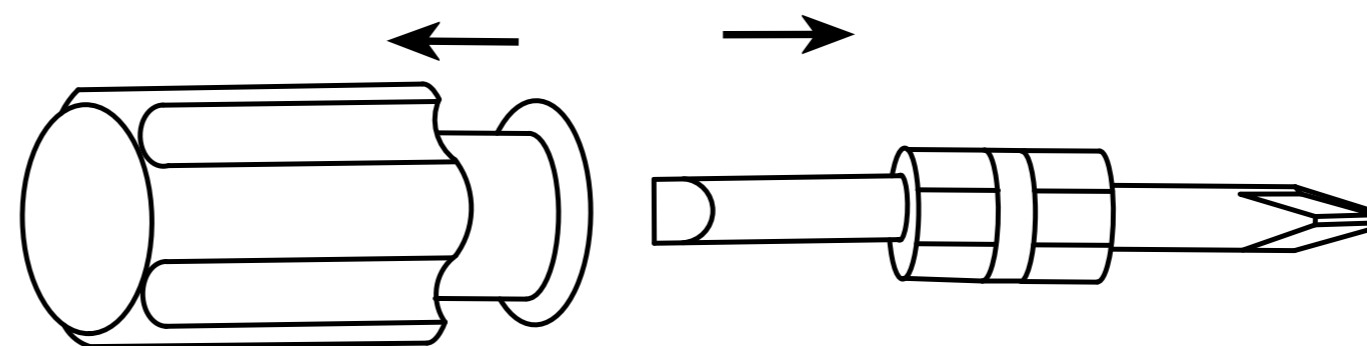
1

Accessories list

①		Two In One Screw (6x28mm)	49pcs +4pcs
②		Two In One Nut (10x12mm)	49pcs +4pcs
③		Wood Chipping (6x30mm)	12pcs +2pcs
④		Handle & Screw (3x12mm)	4pcs +1pcs 2pcs
⑤		Screw & Guide (29cm) (3x12mm)	4pcs 20pcs +2pcs
⑥		Non-slip pads (50x10x2mm)	4pcs +2pcs
⑦		Fixing Clip & Screw (3x16mm)	6pcs +1pcs
/		AC/DC Adapter (12V=2.0A)	1pcs

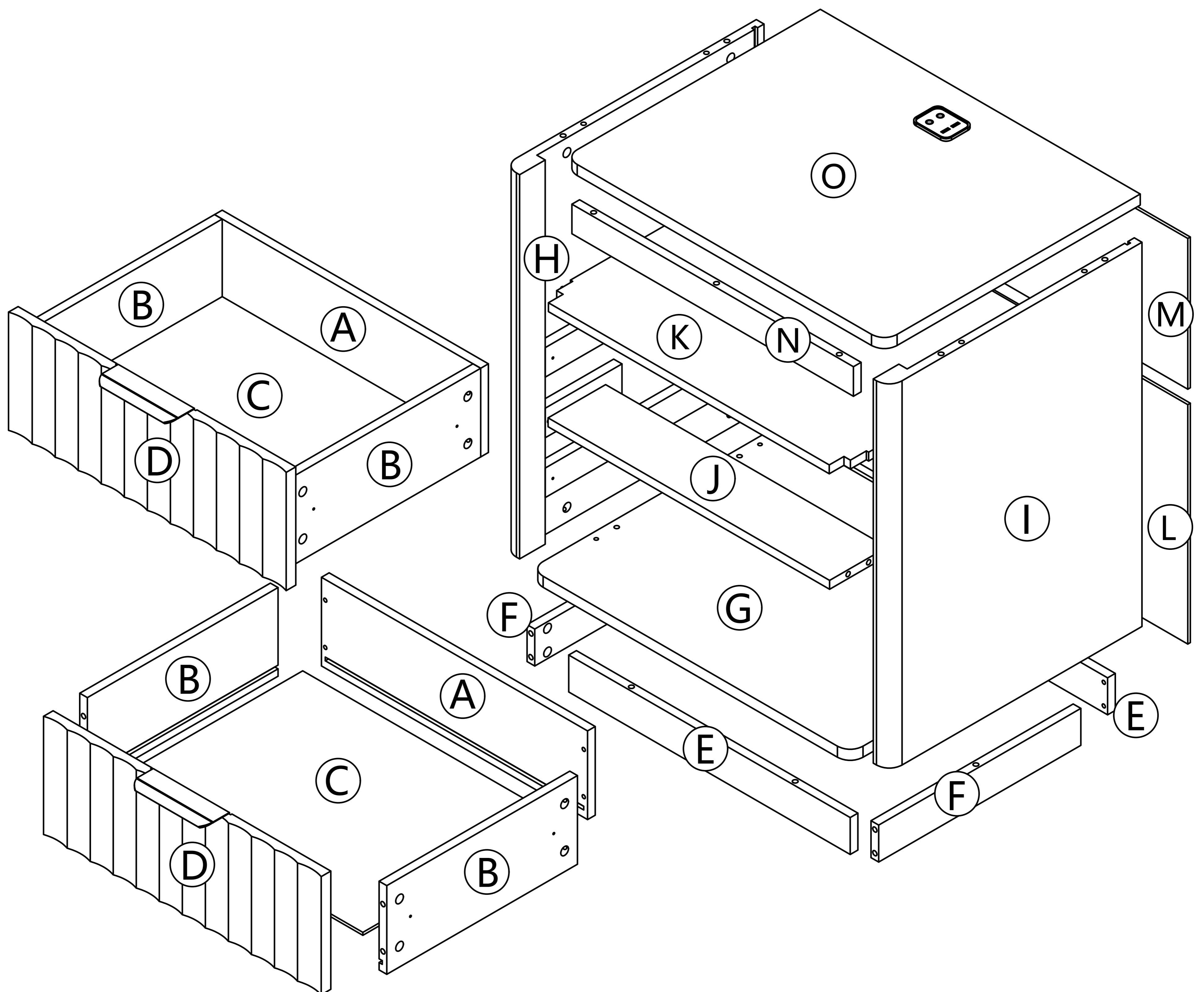


1pcs

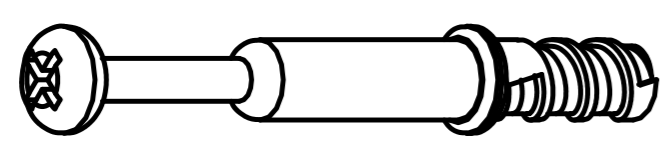


Double-head screwdriver, use as required

Product structure decomposition

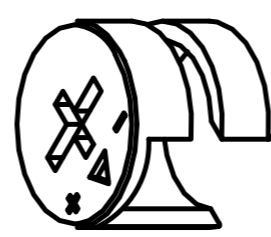


1



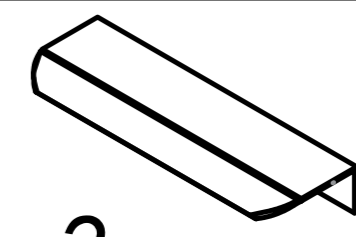
16pcs

2



16pcs

4

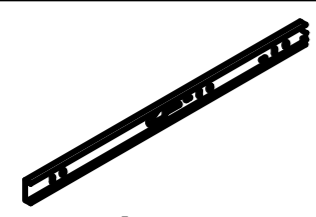


2pcs



4pcs

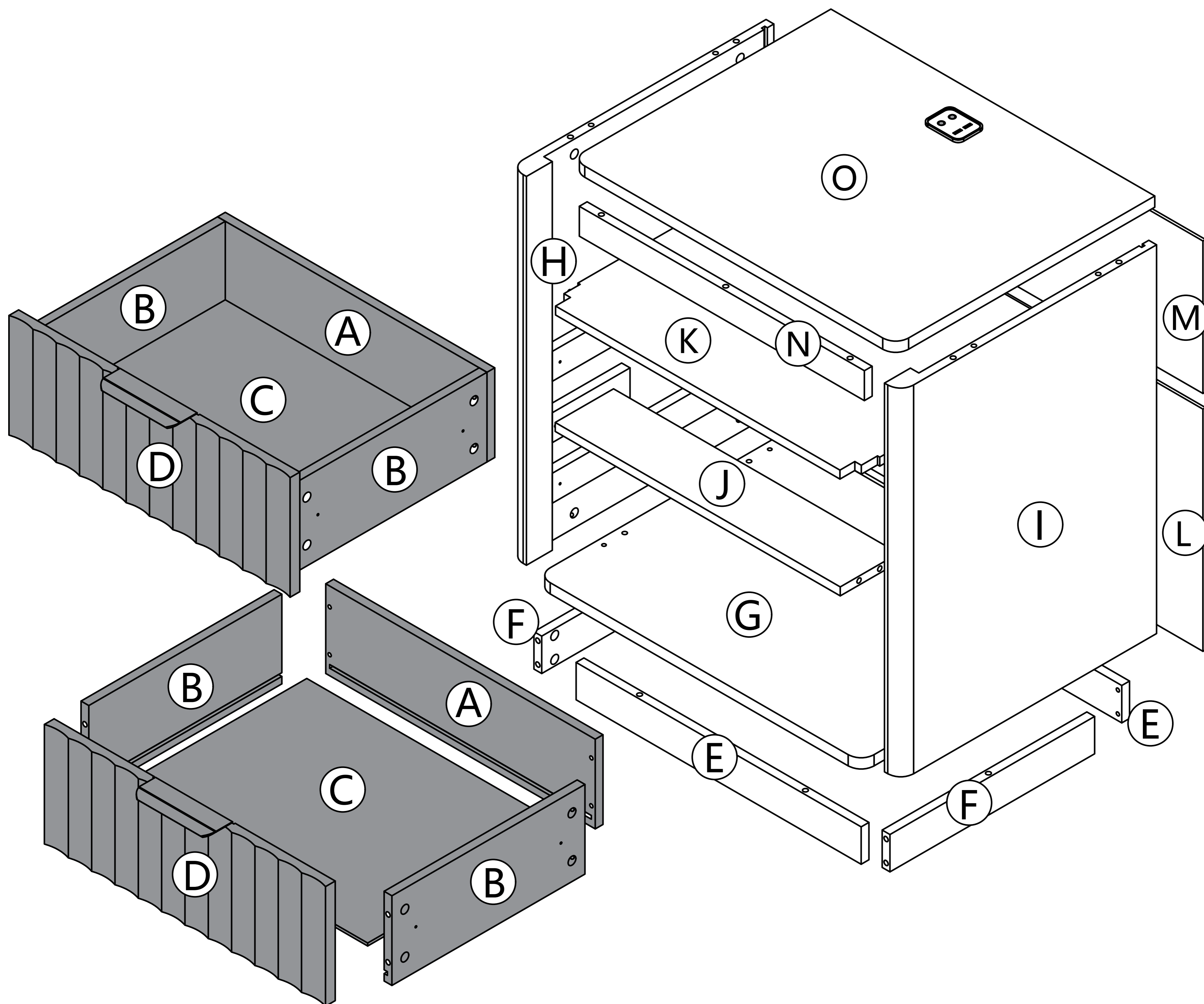
5



4pcs

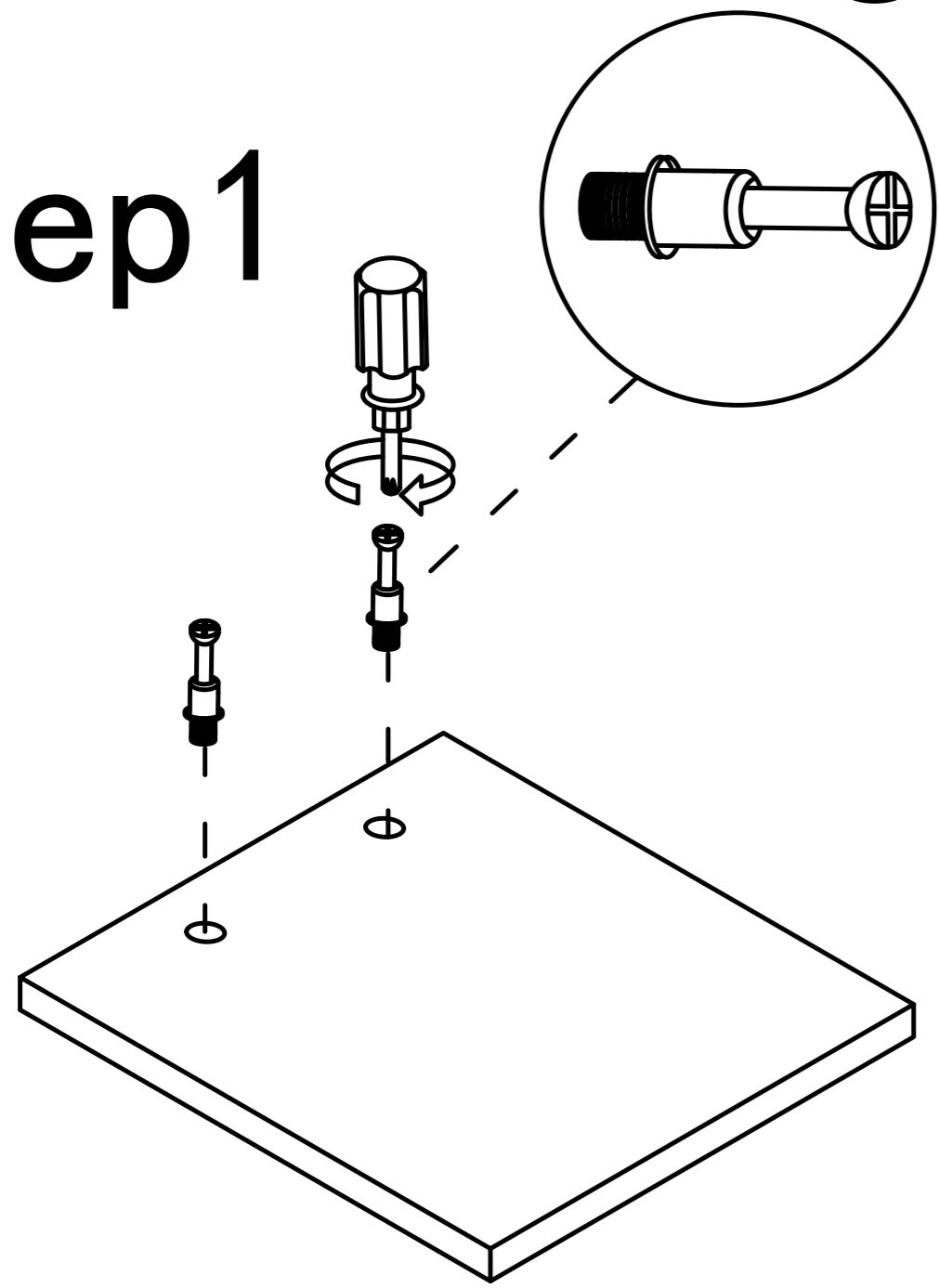


8pcs

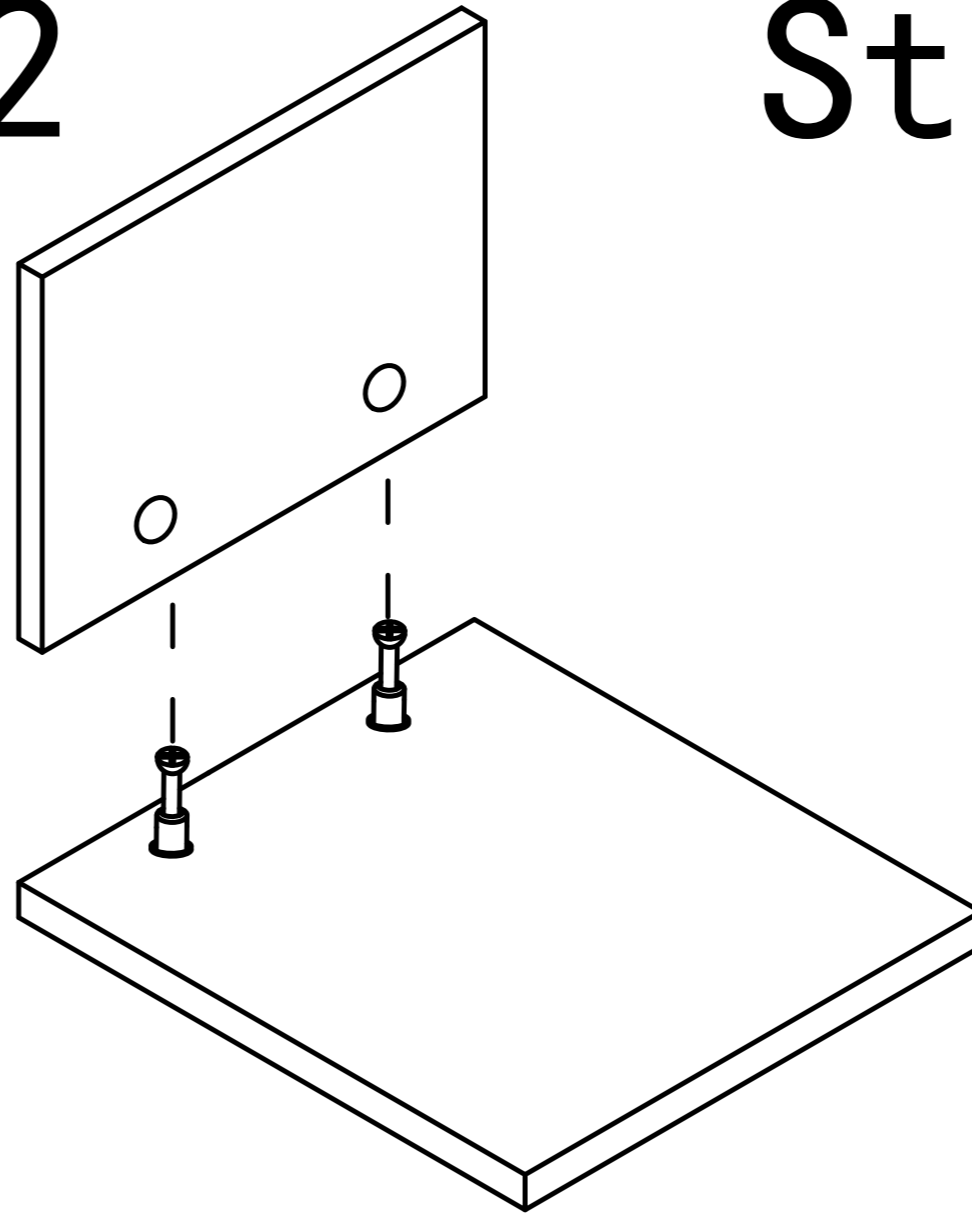


Use parts ① and ②

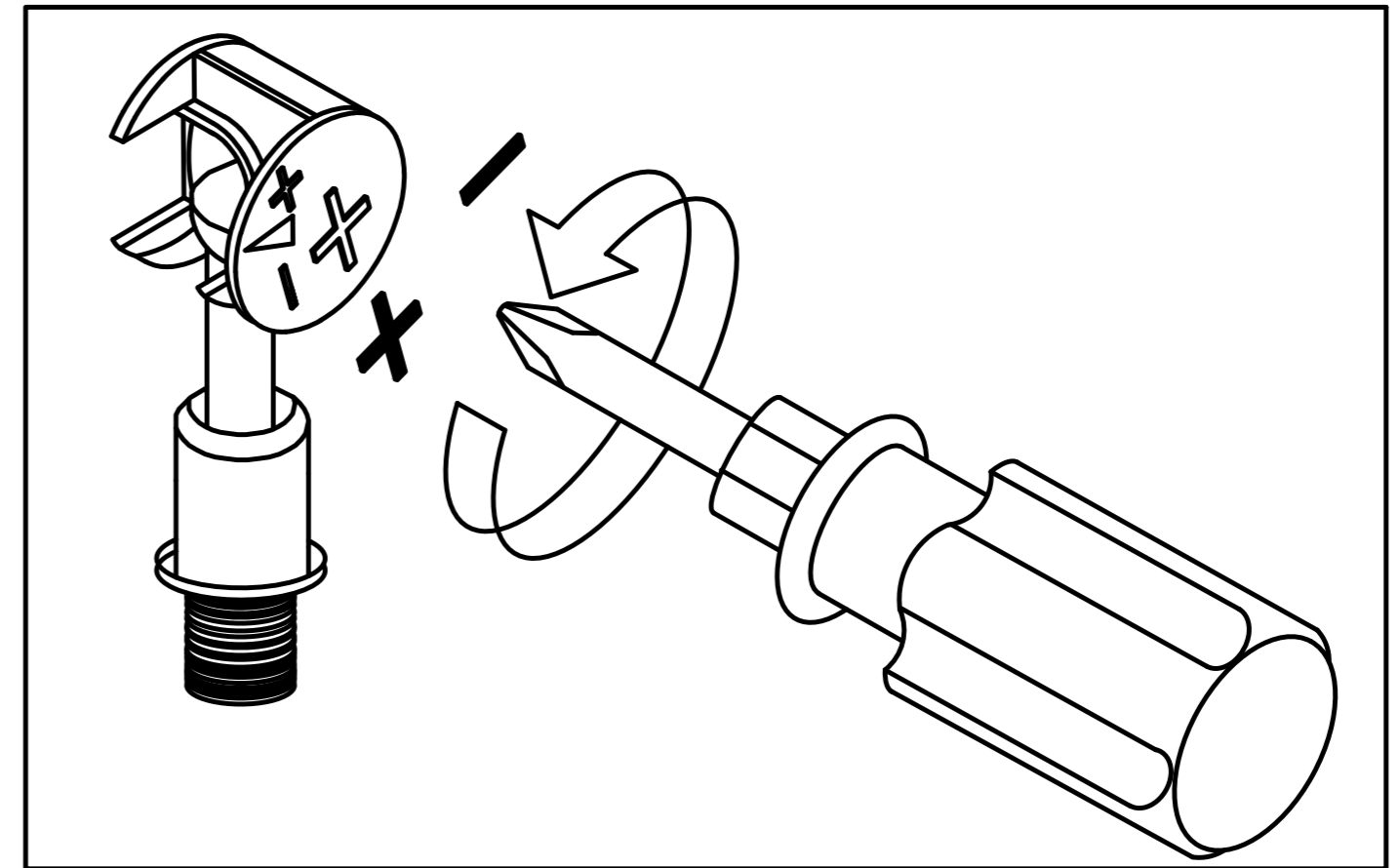
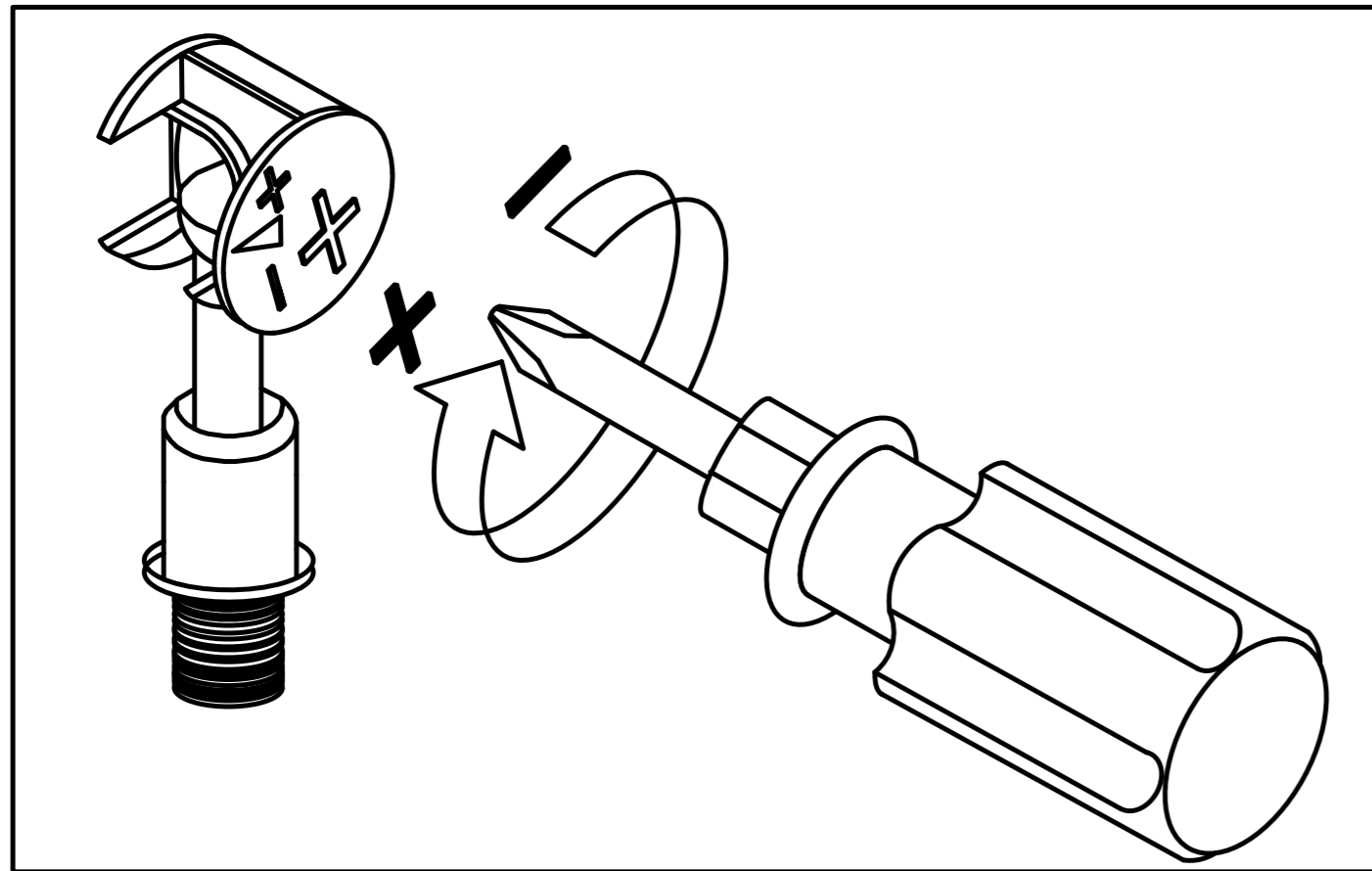
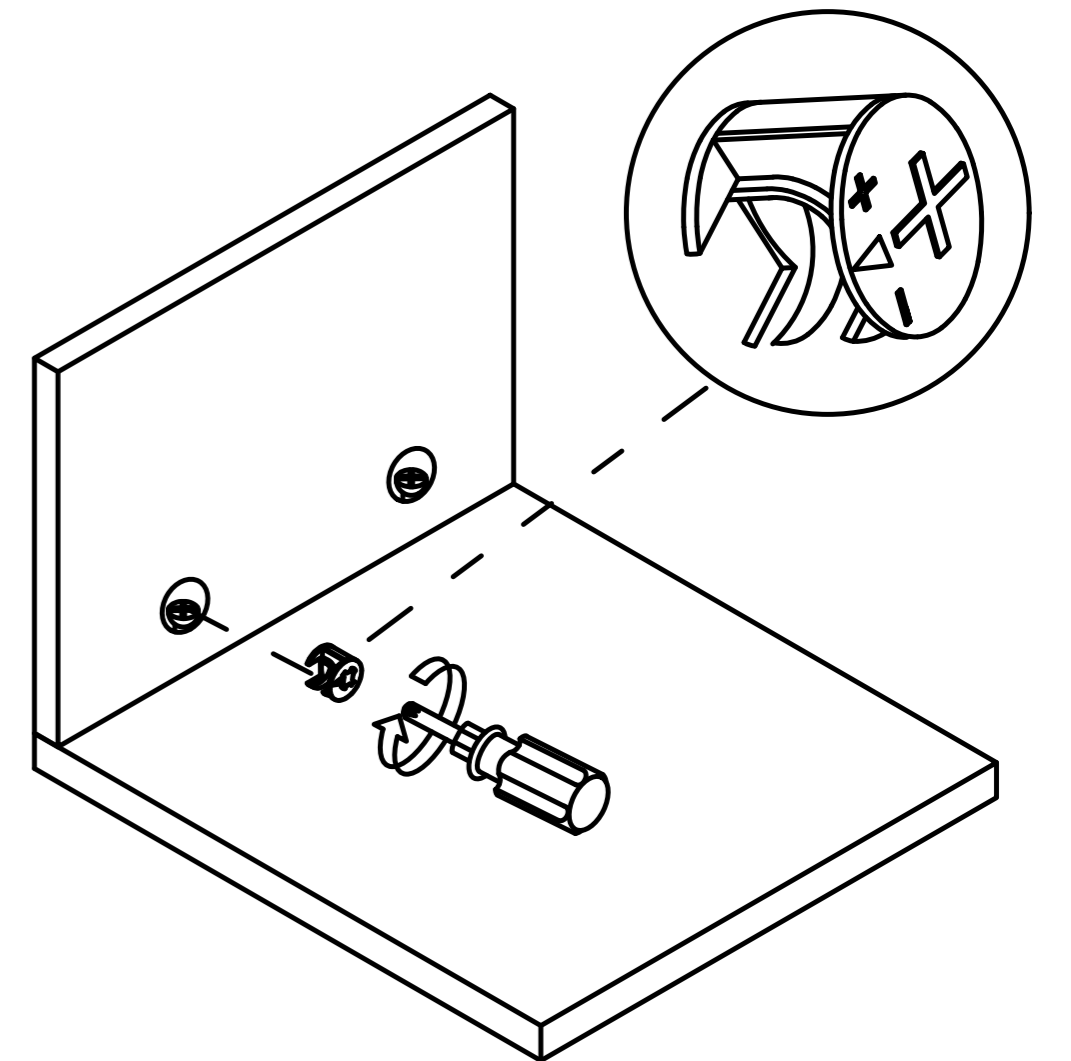
Step 1



Step 2



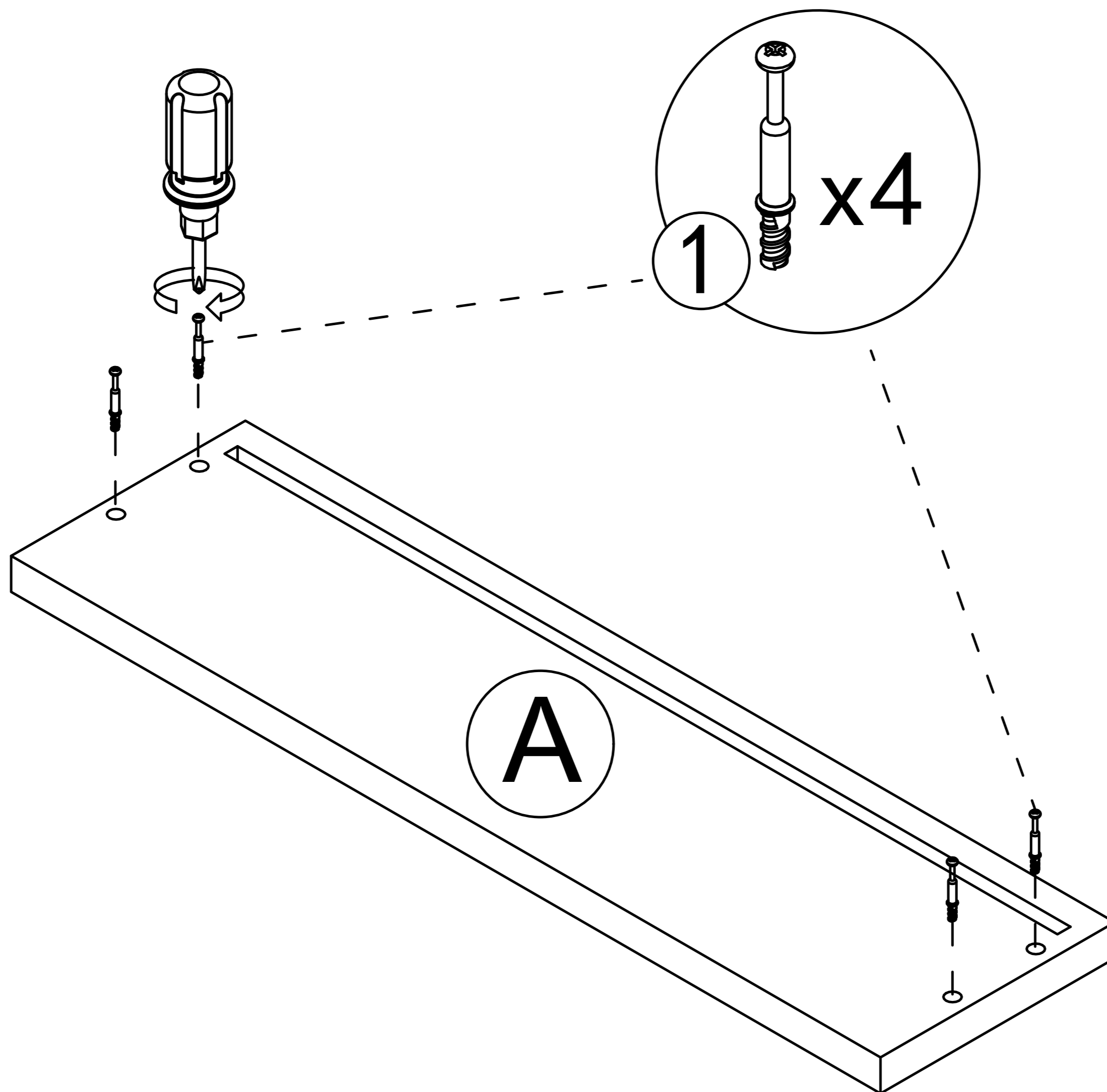
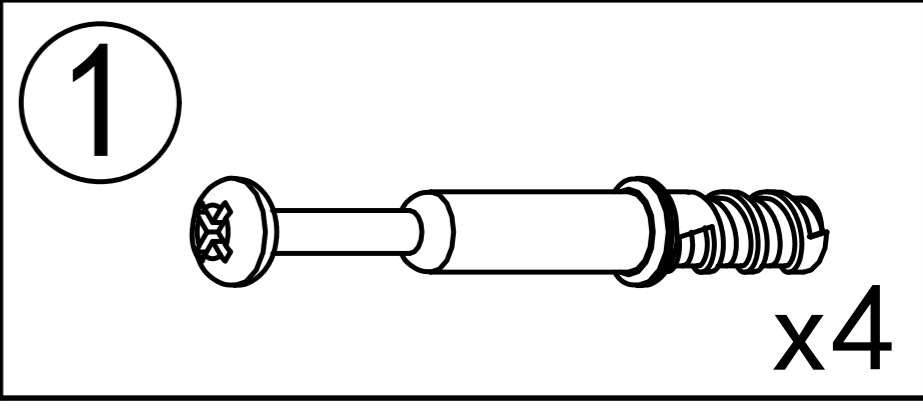
Step 3



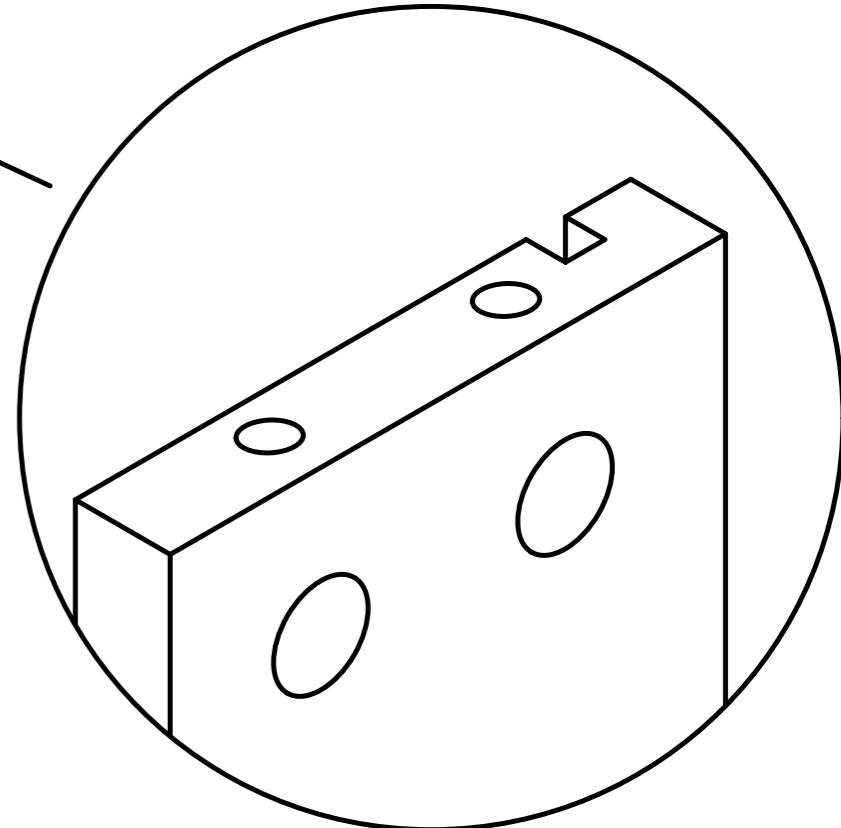
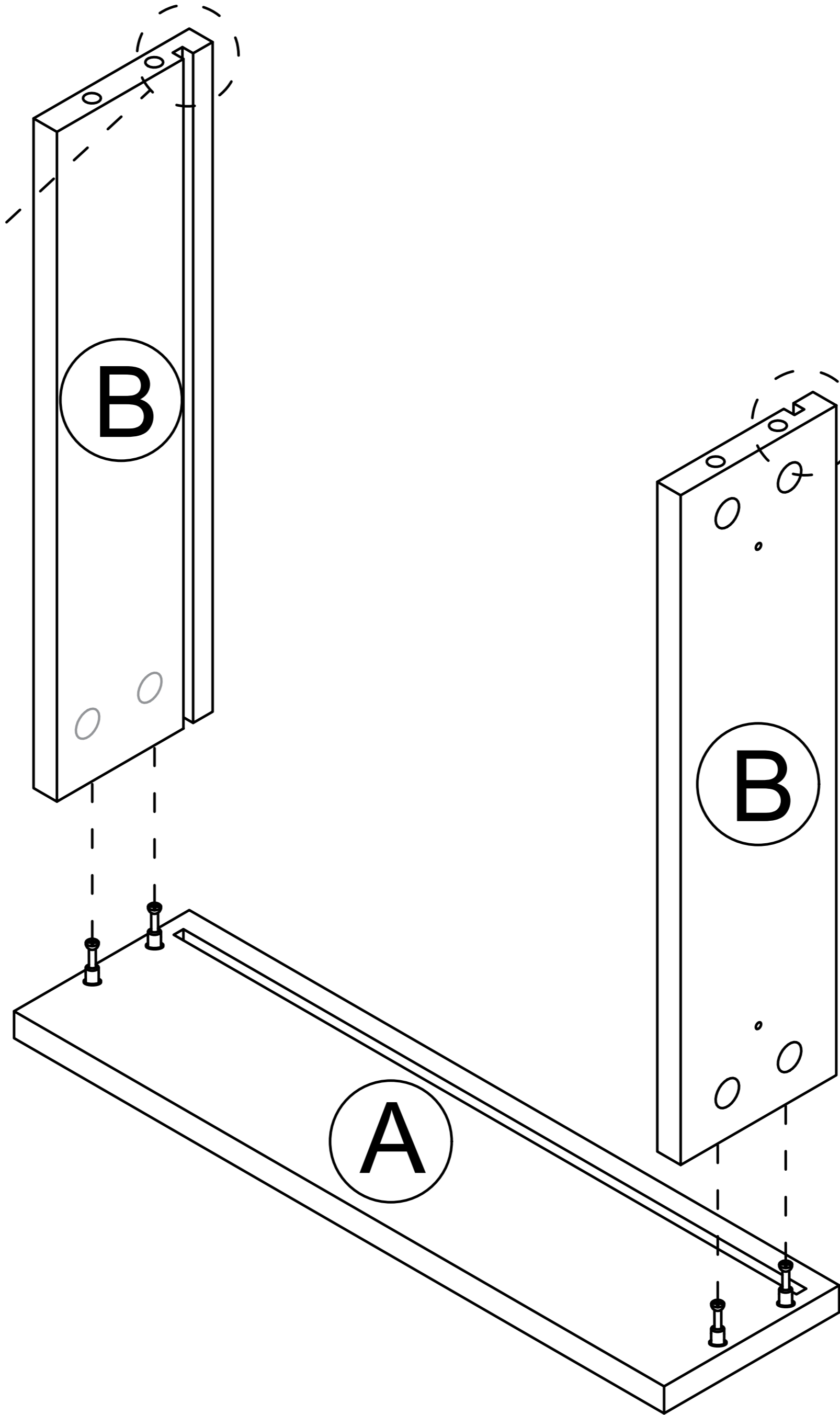
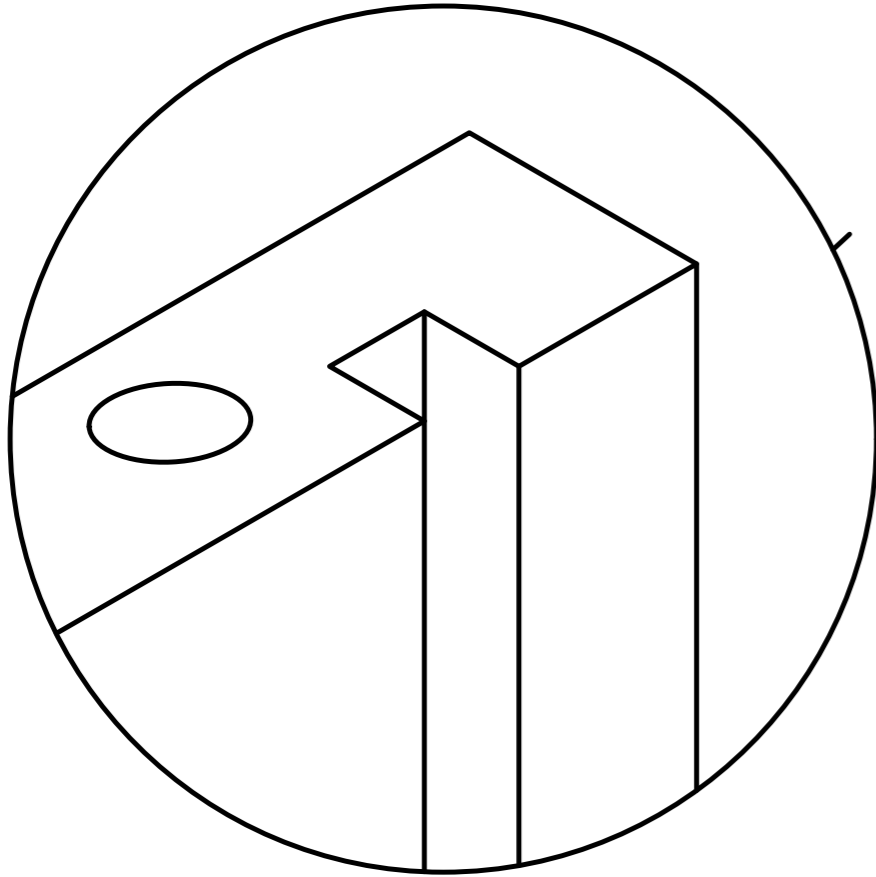
Use a screwdriver to lock in the direction of the "+" sign

Disassemble along the direction of "-" sign

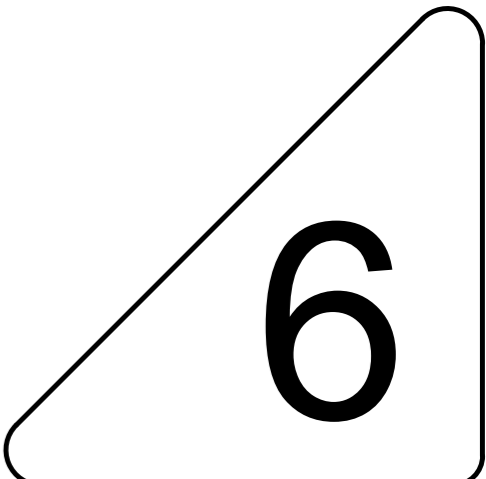
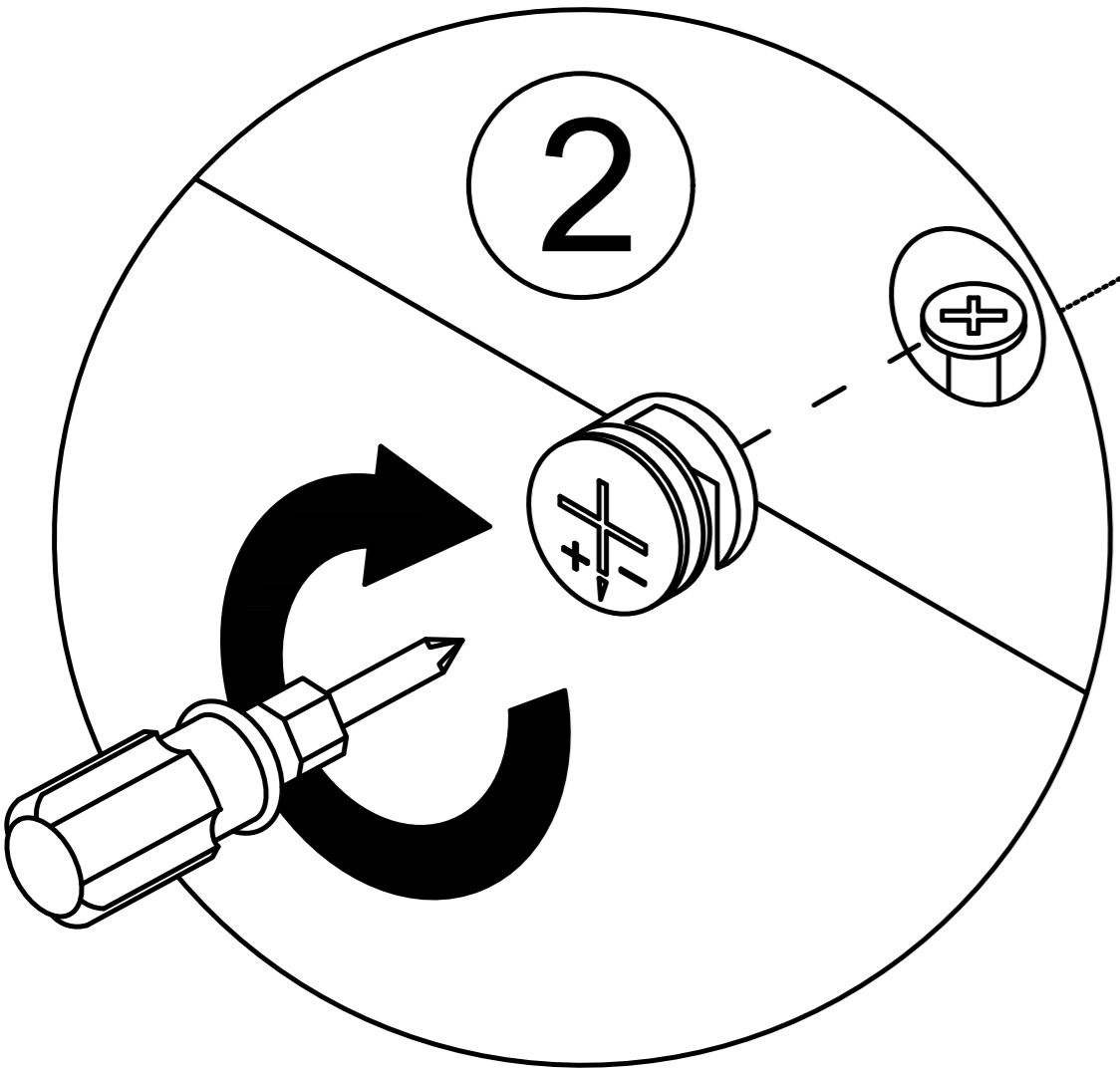
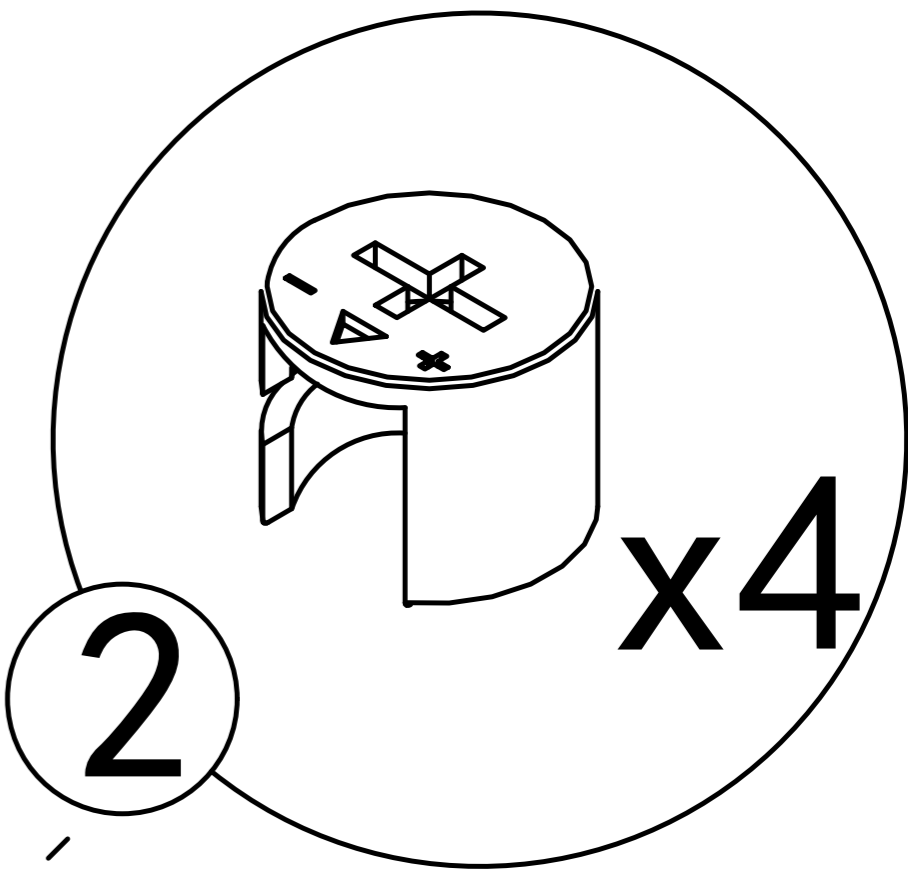
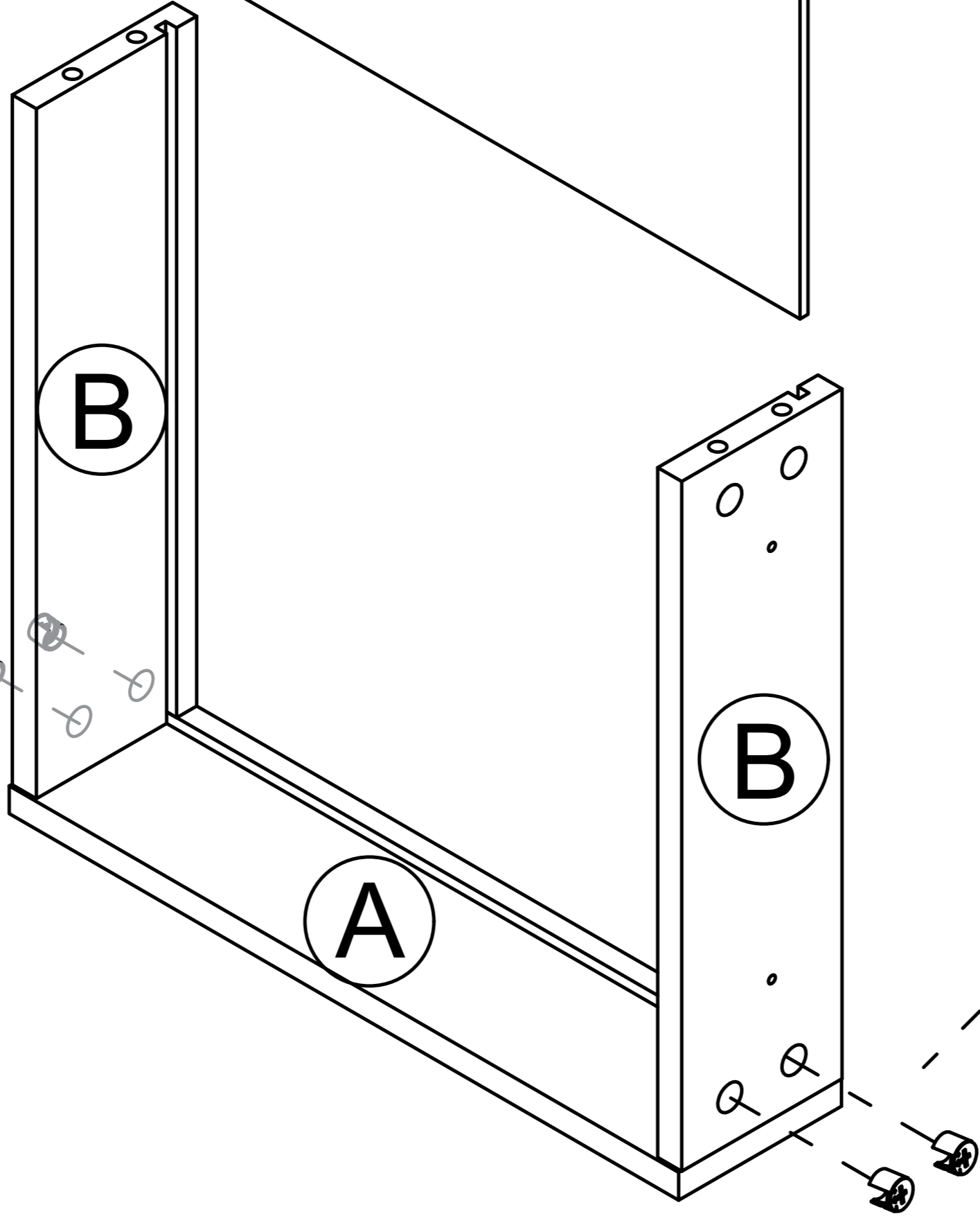
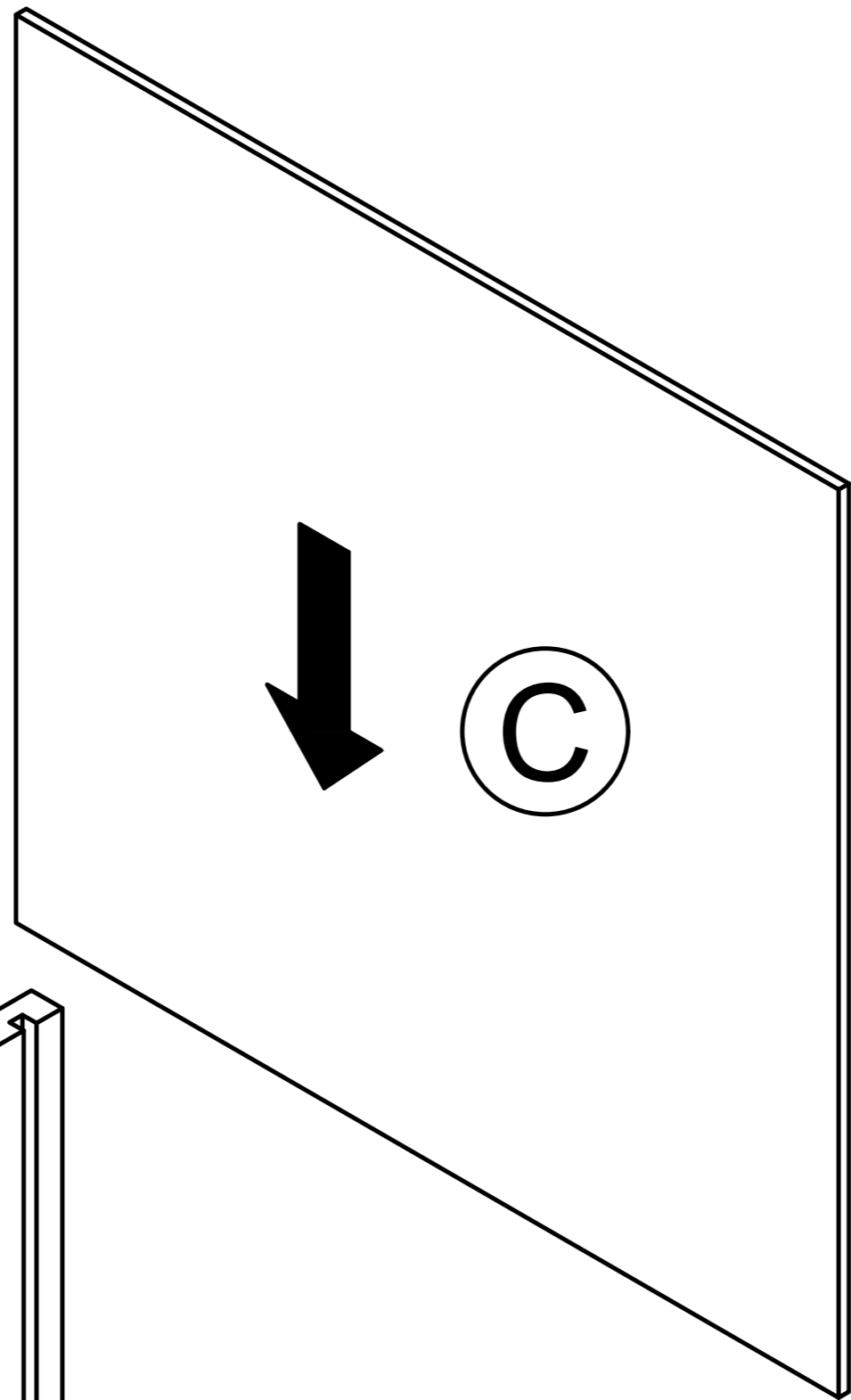
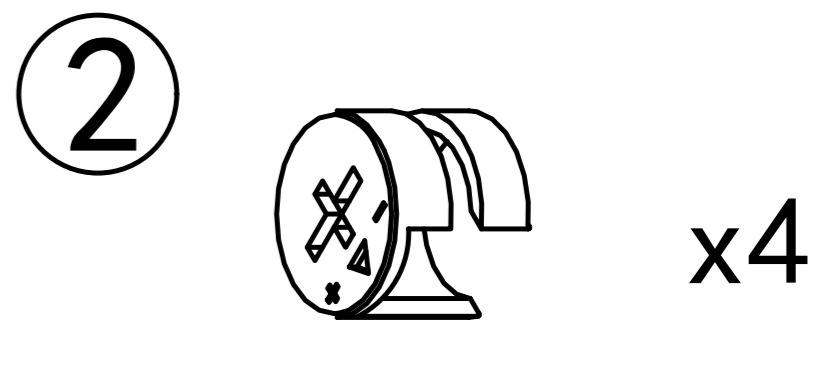
Step 1



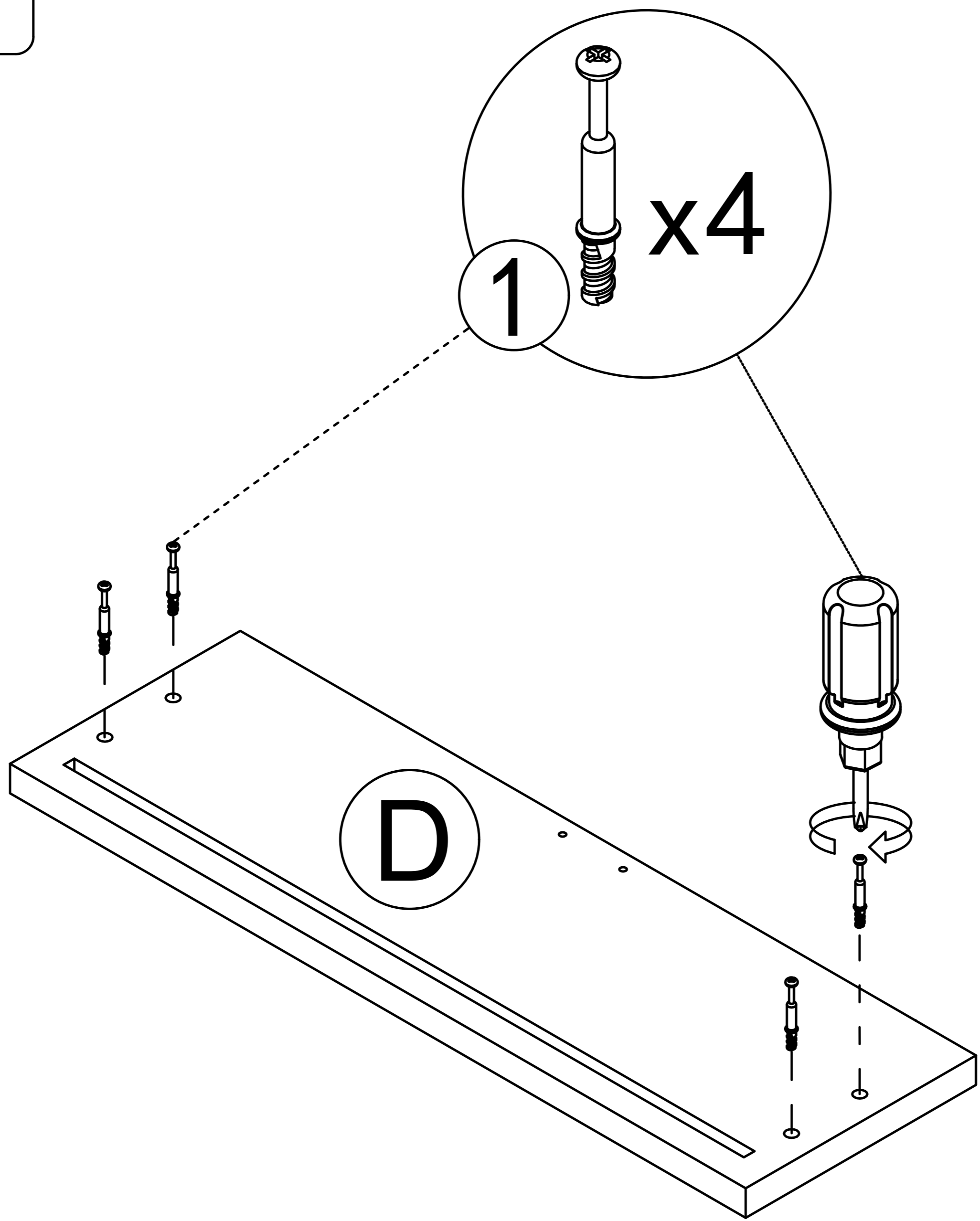
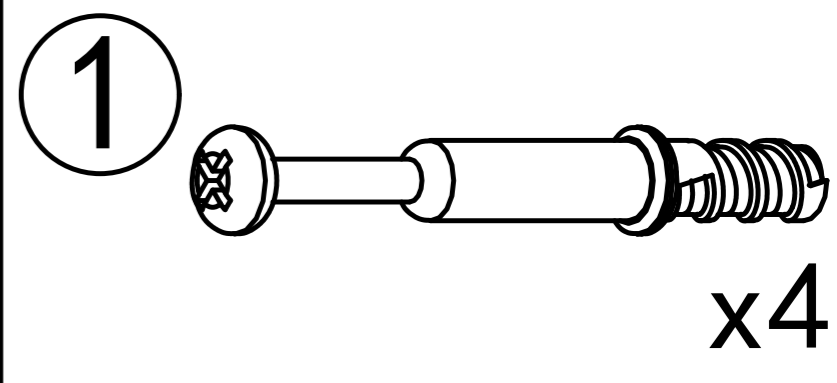
Step 2



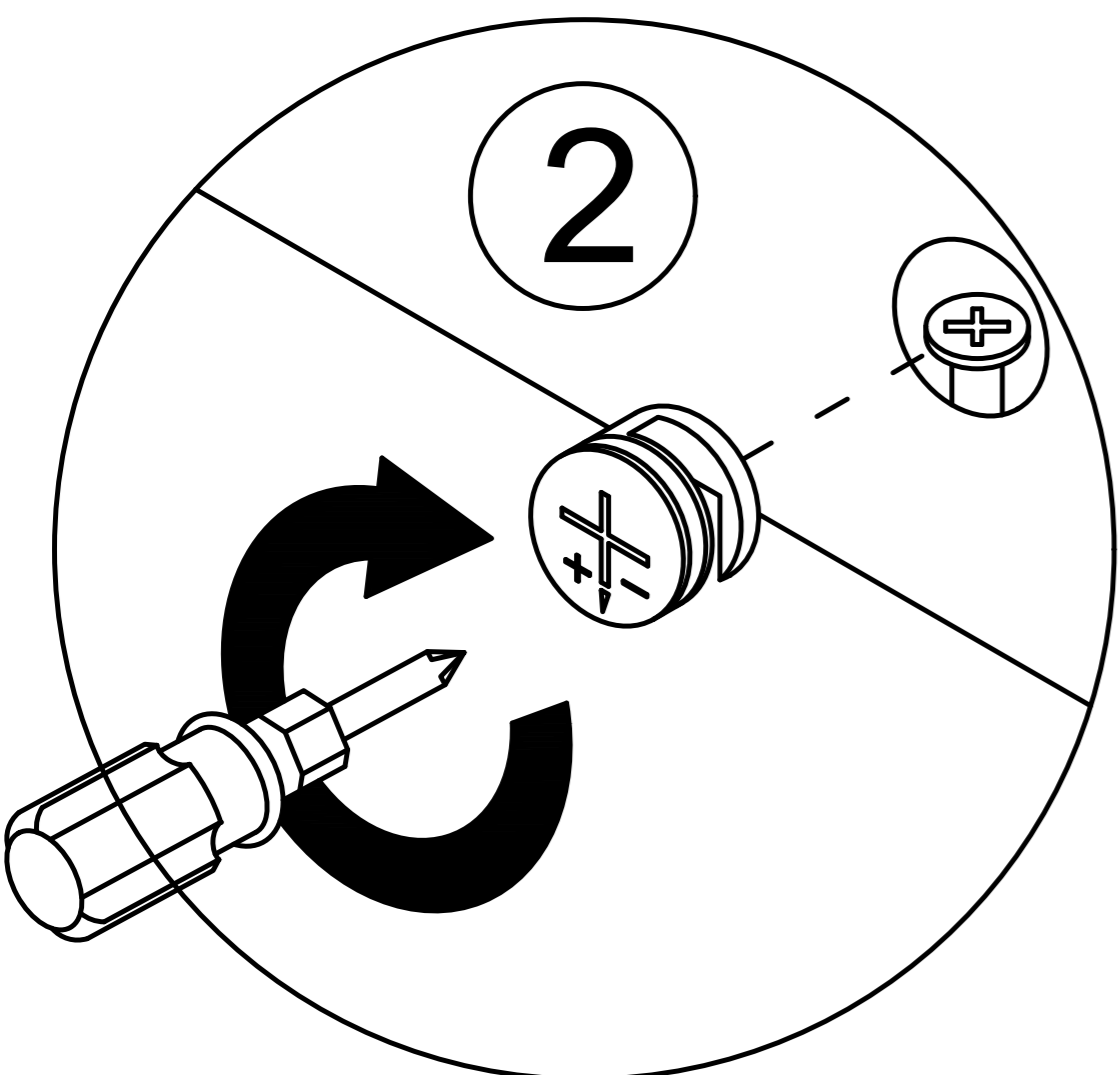
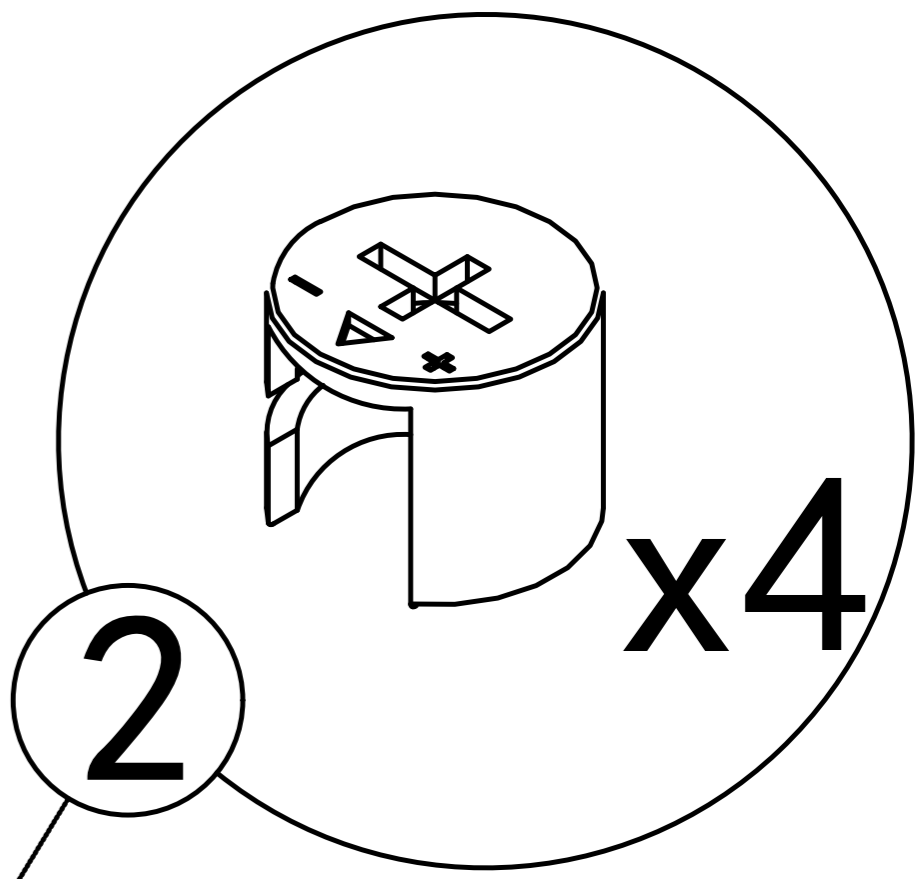
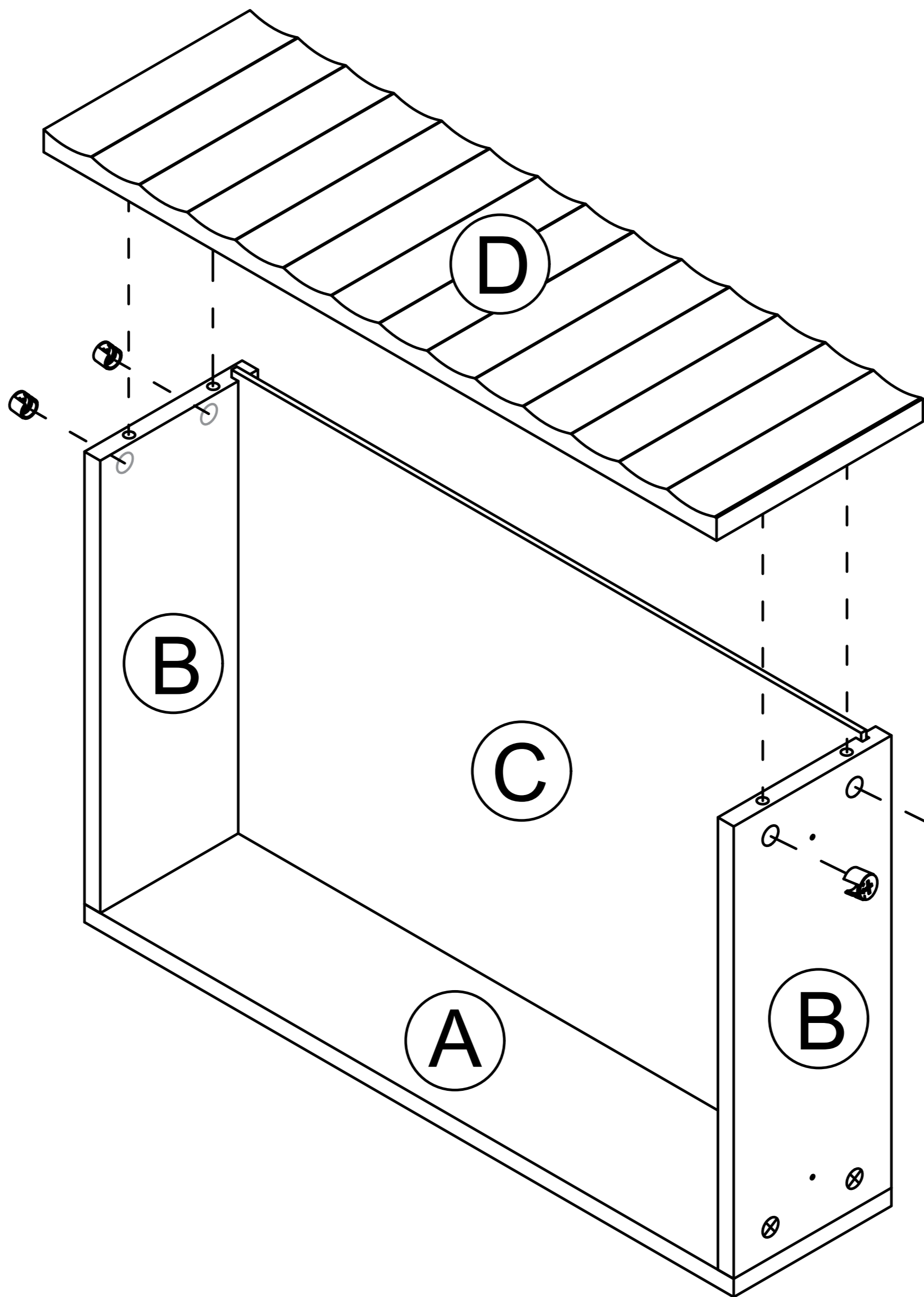
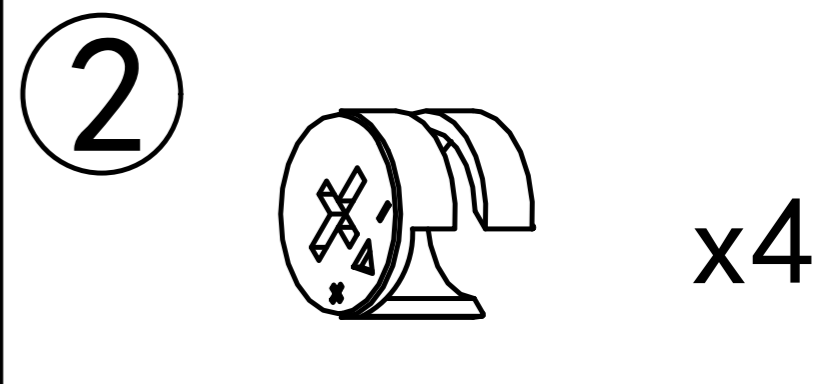
Step 3



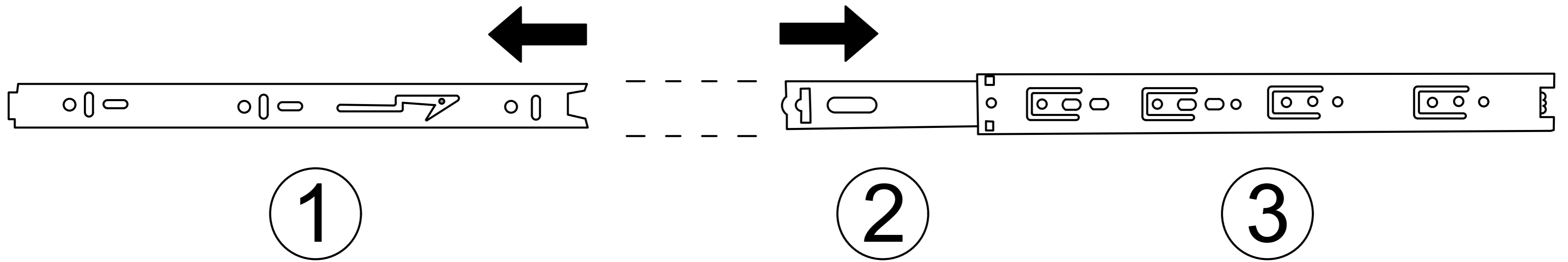
Step 4



Step 5

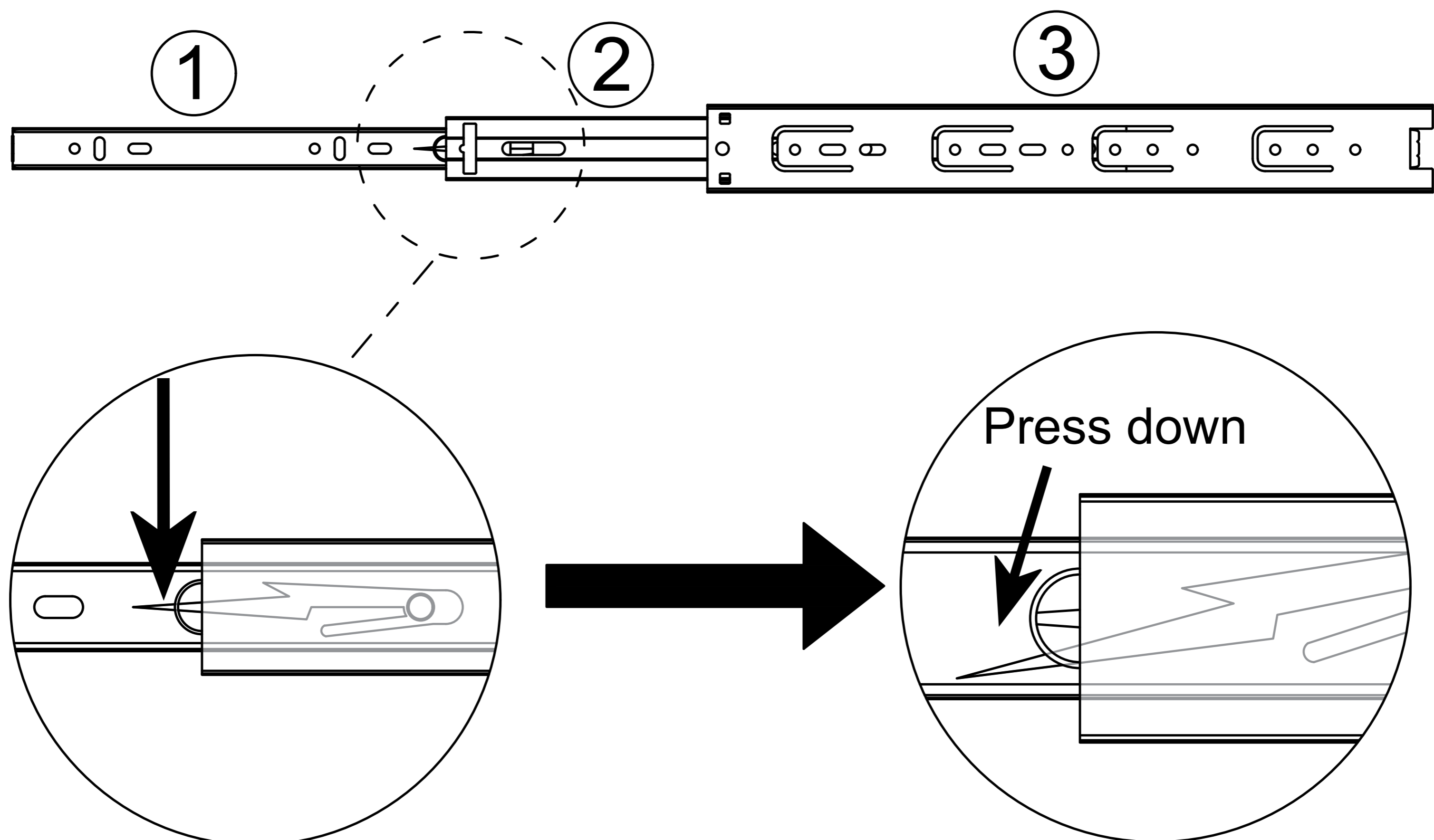


Drawer rail breakdown diagram



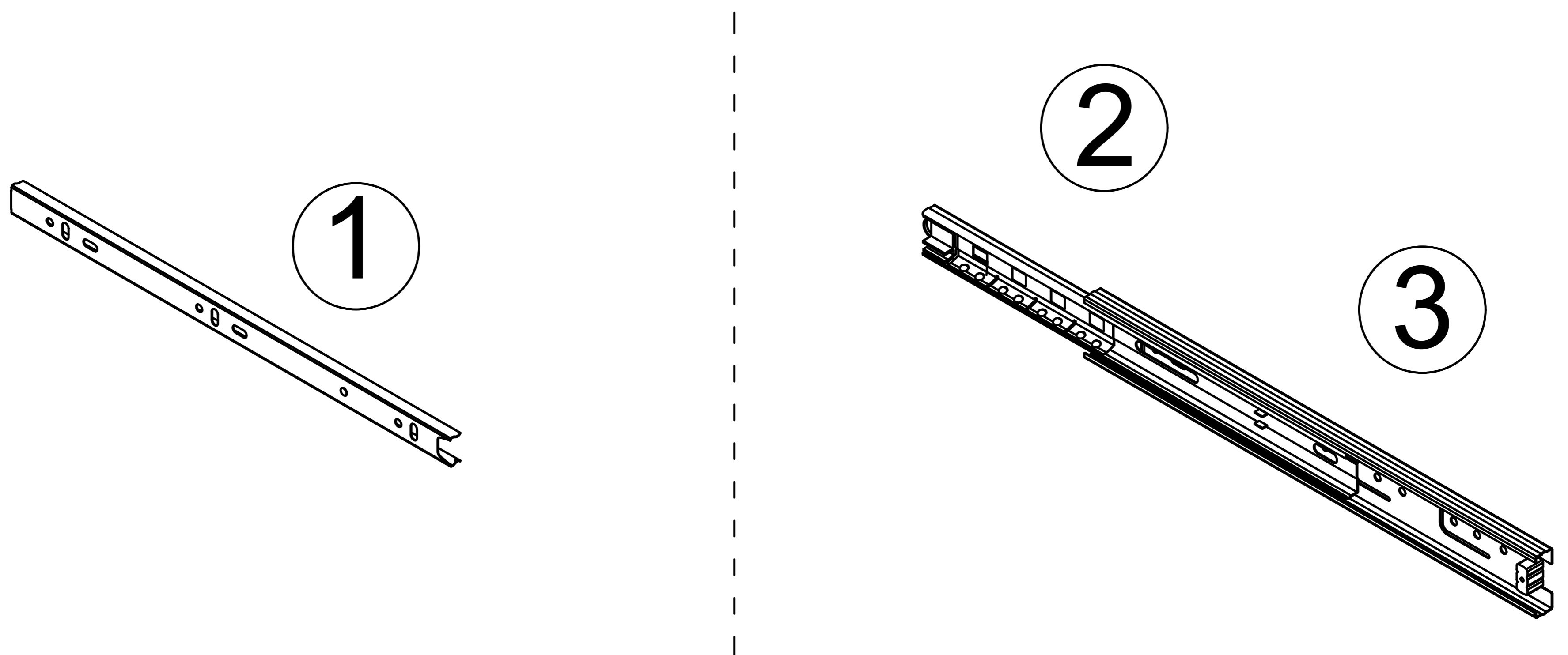
① Dismantle the schematic diagram

Step 1 : Pull the rails apart

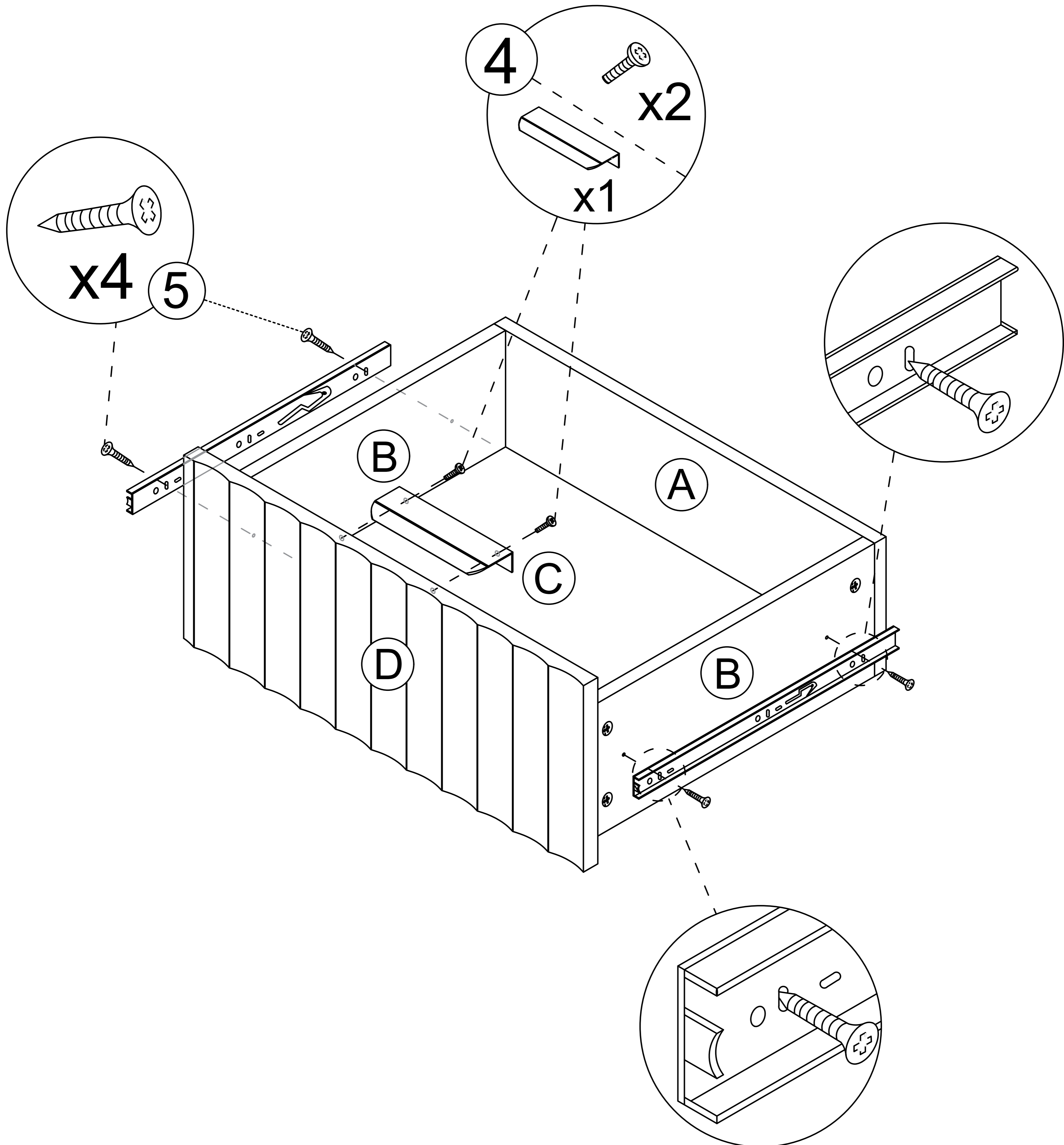
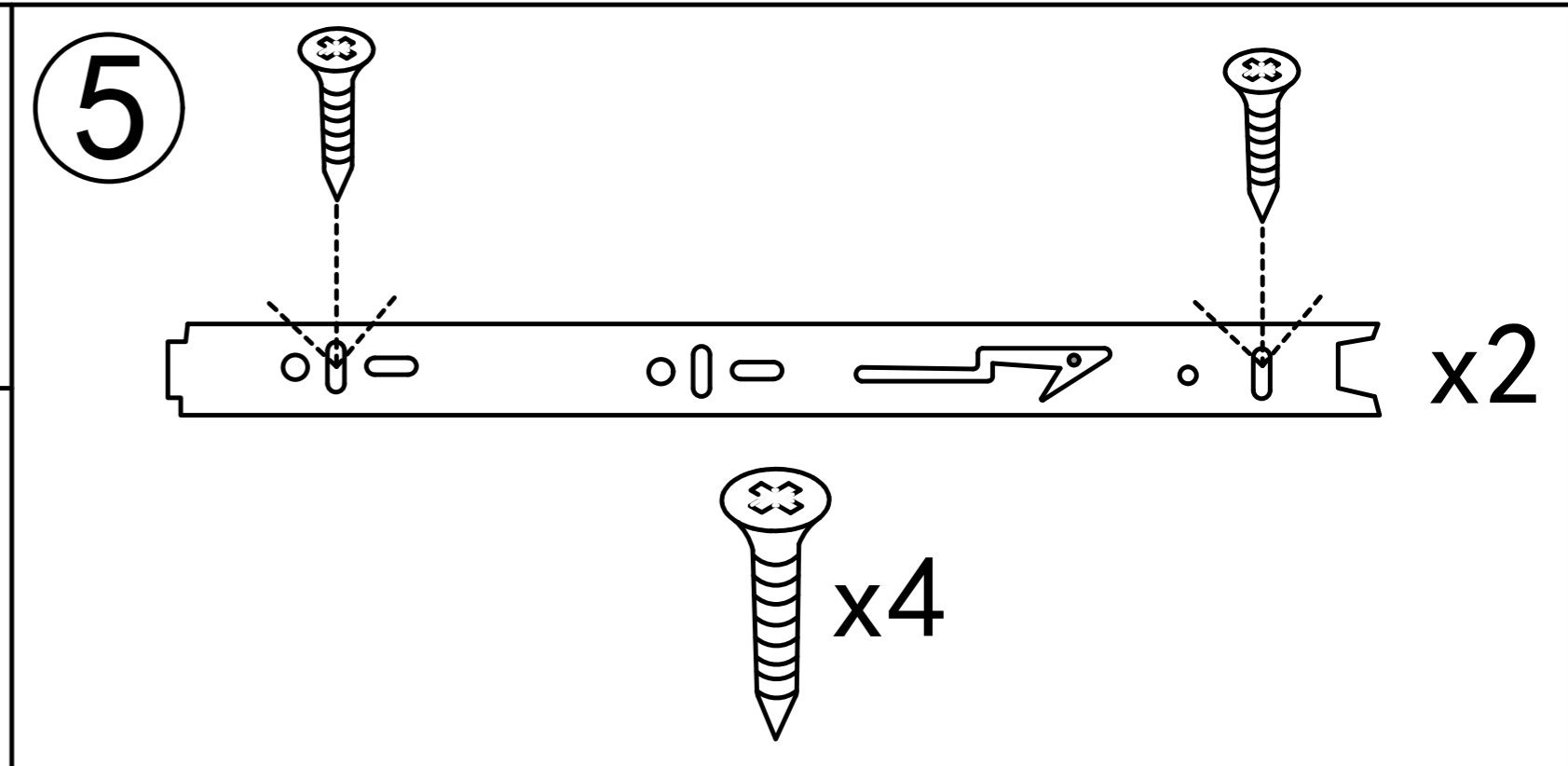
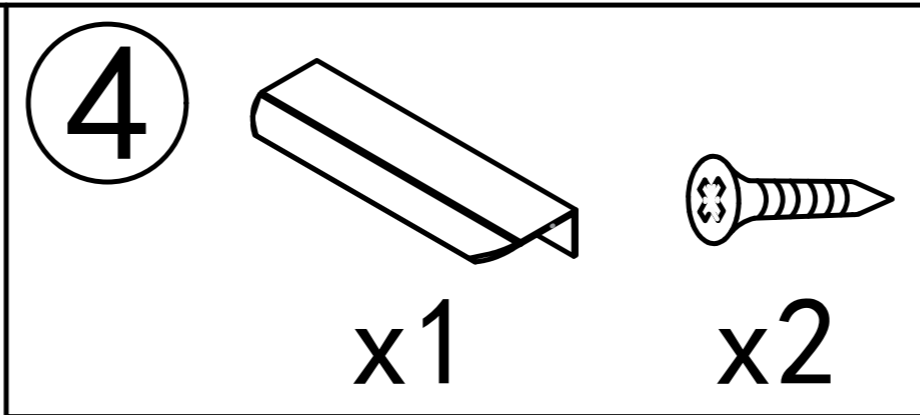


Step 2 : Press the nylon button and pull out ①.

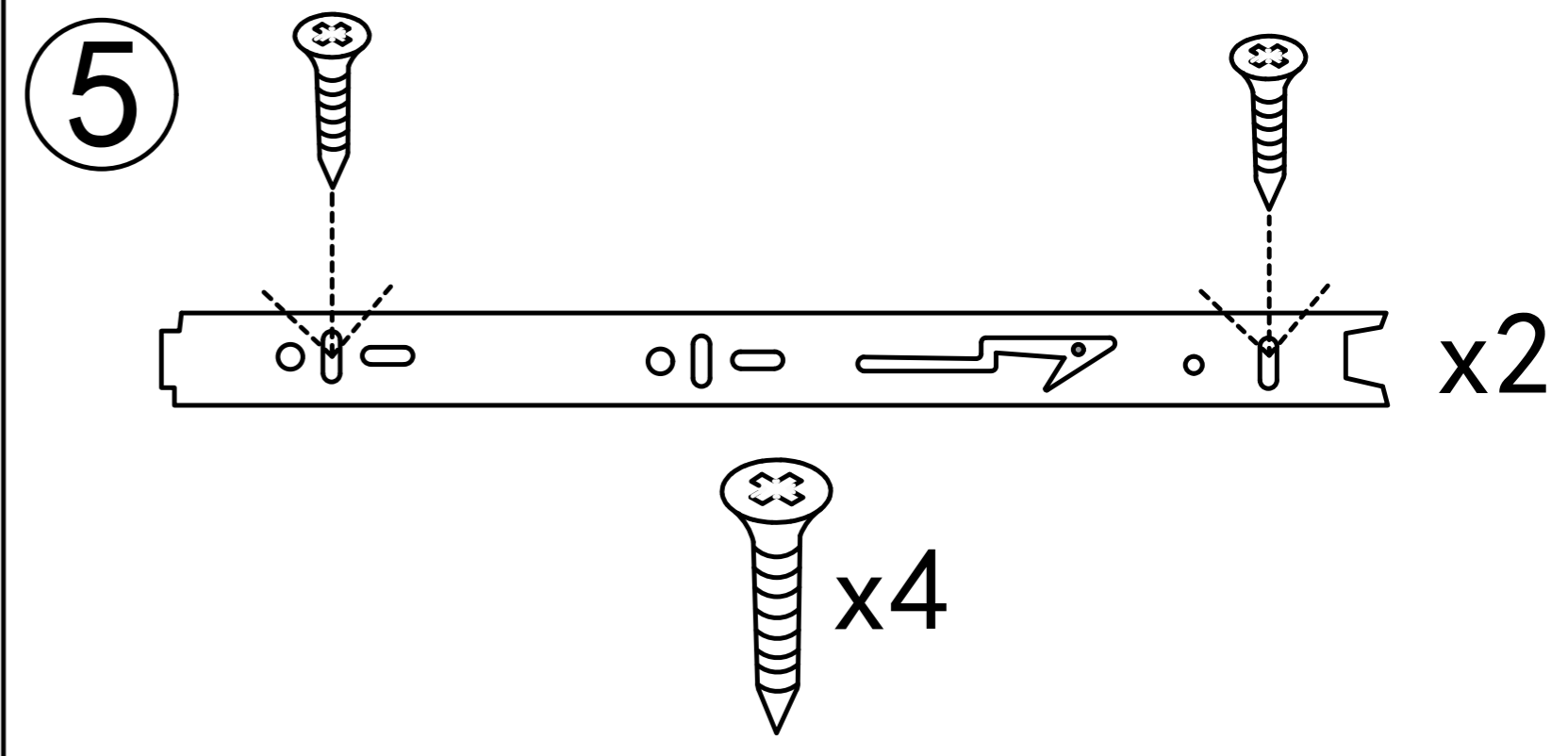
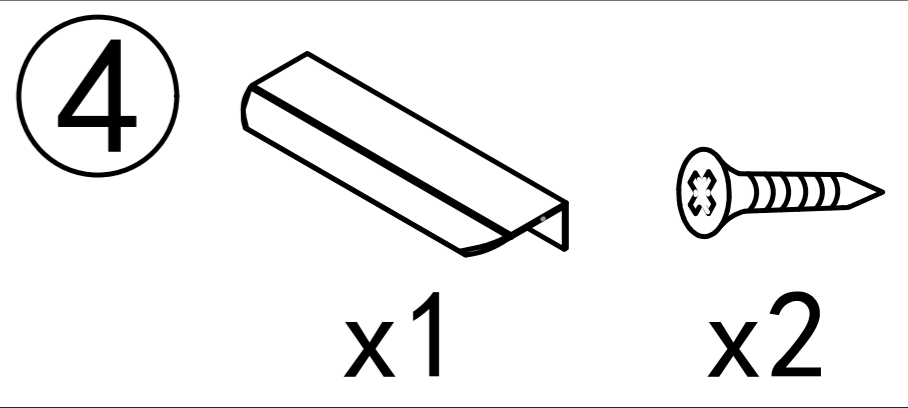
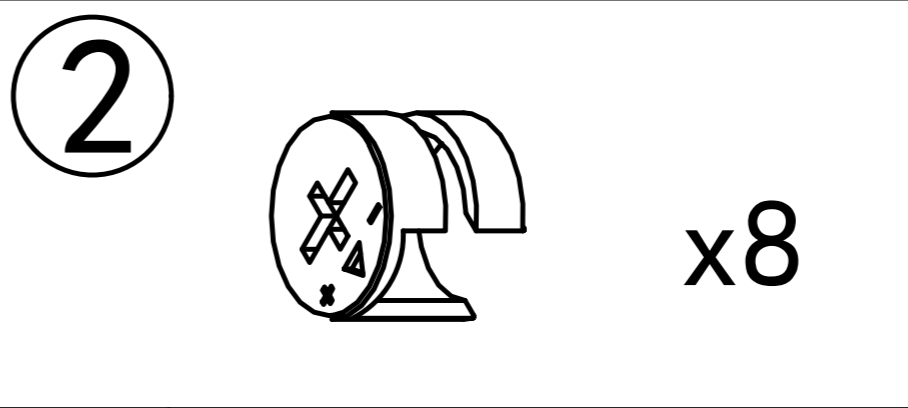
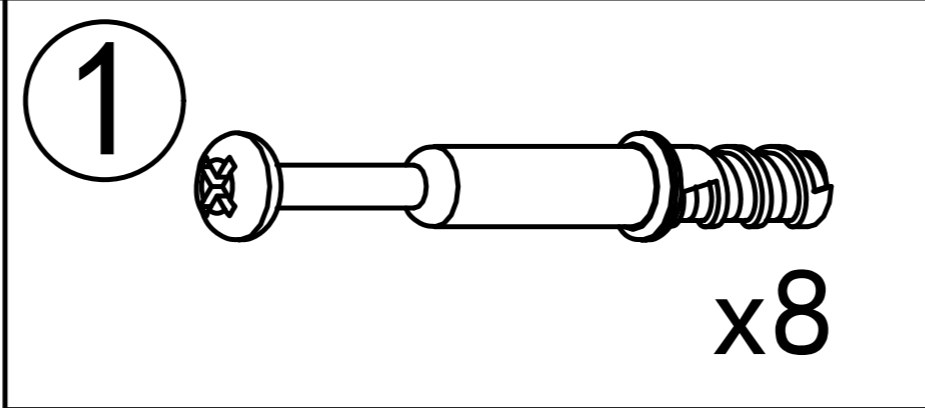
Drawer rail decomposition completed schematic diagram



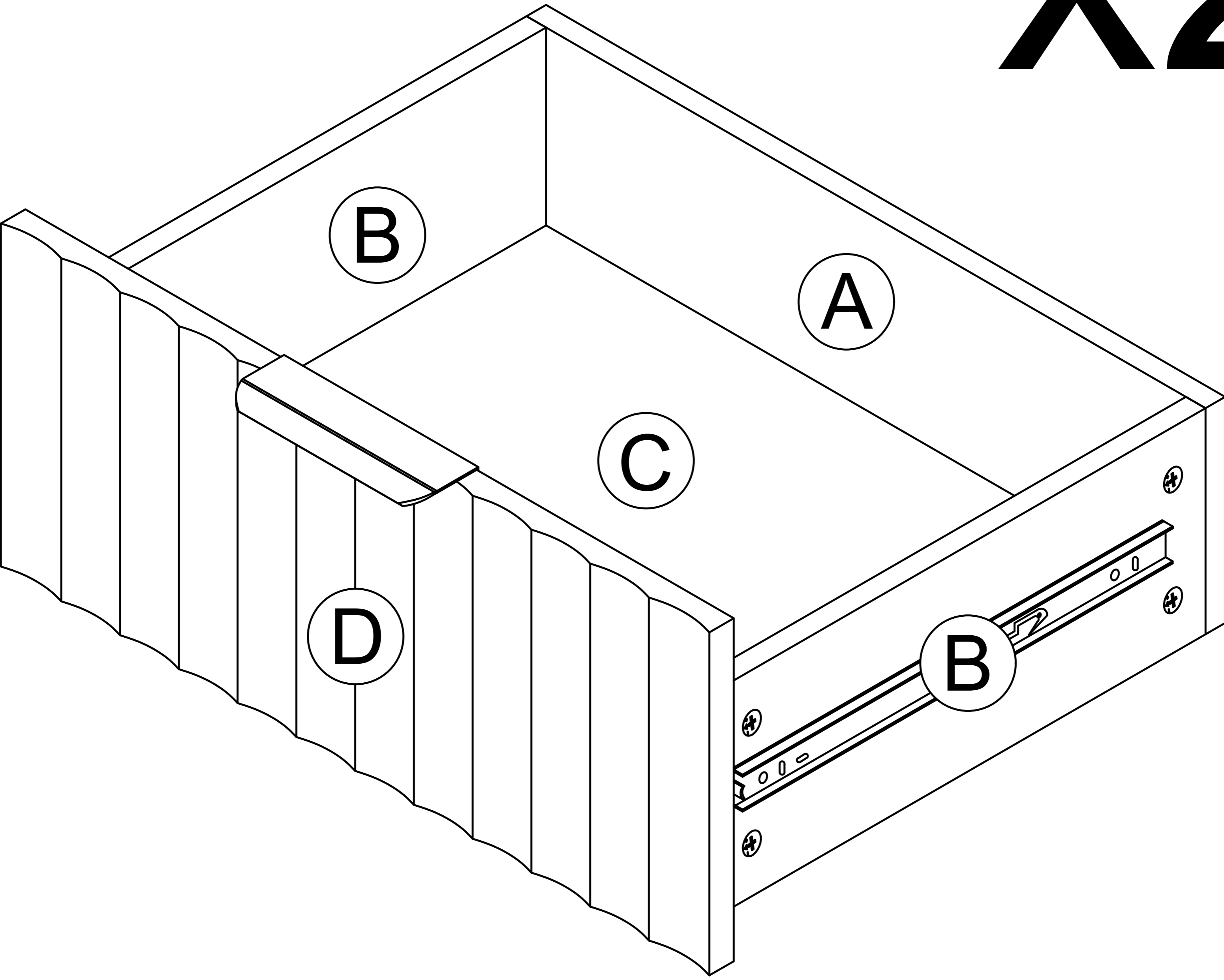
Step 6



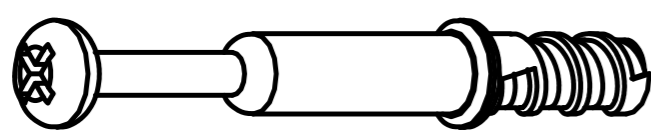
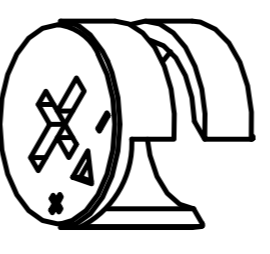

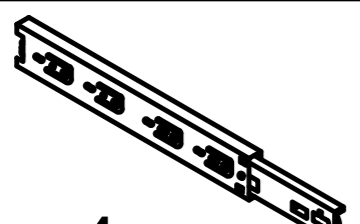


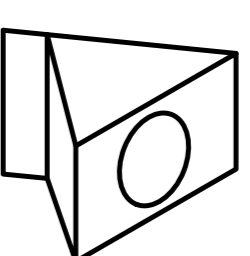
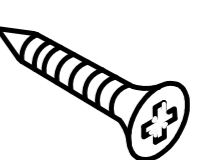
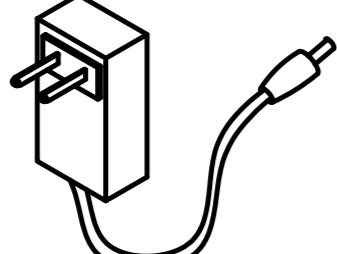
Step 7

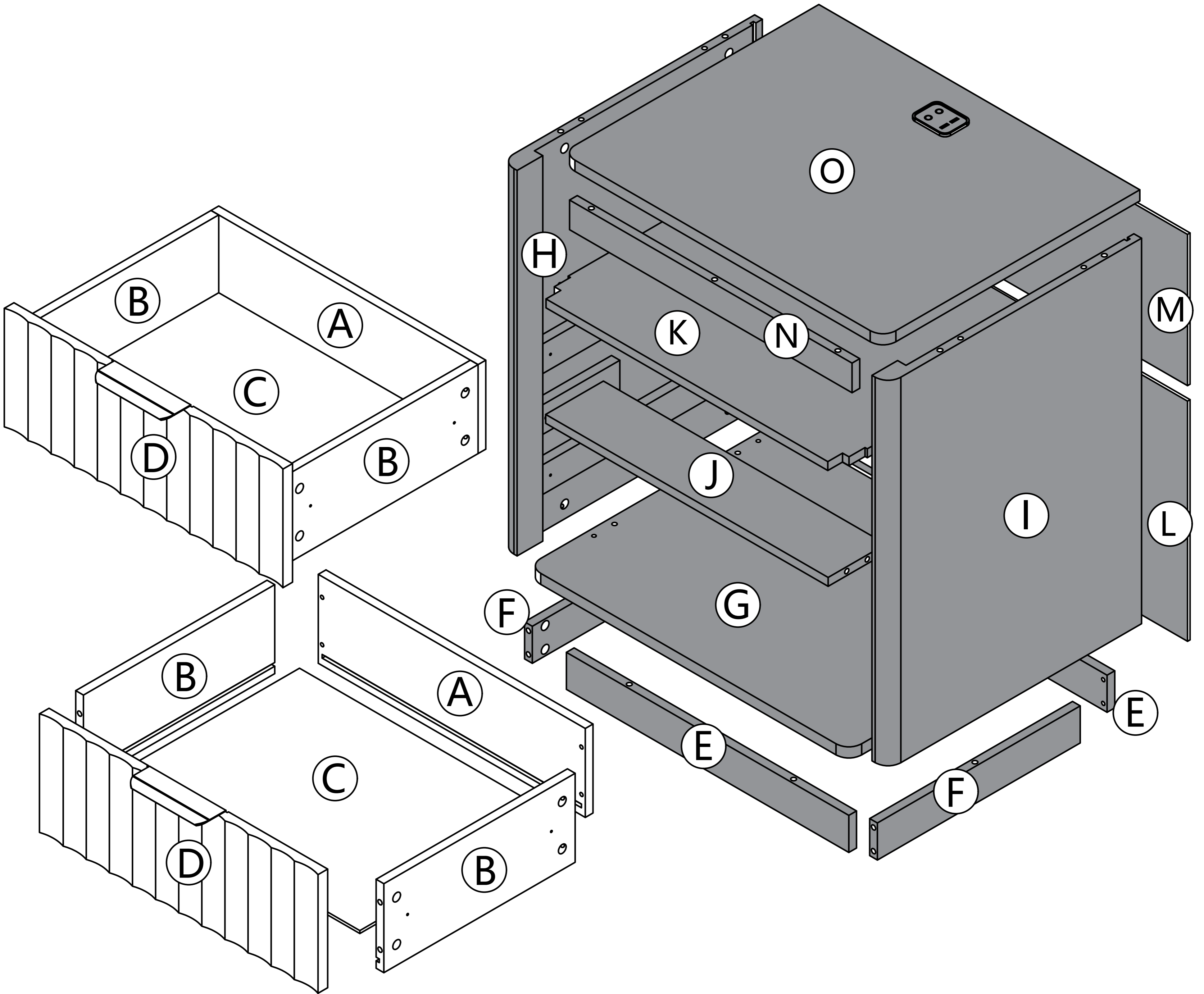


x2

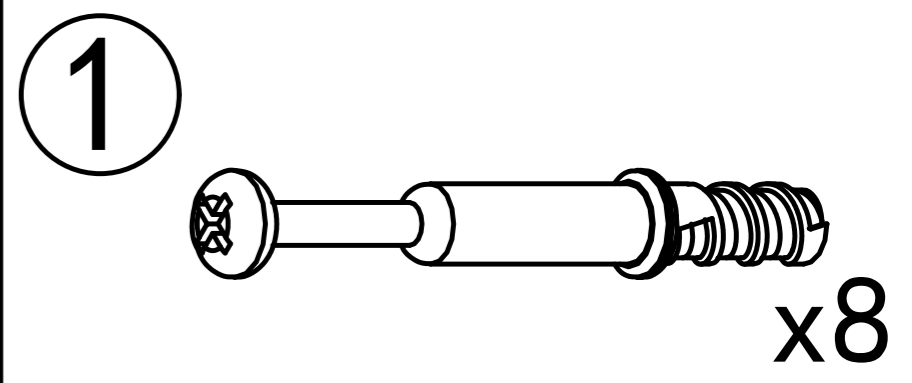


Repeat the drawer installation steps

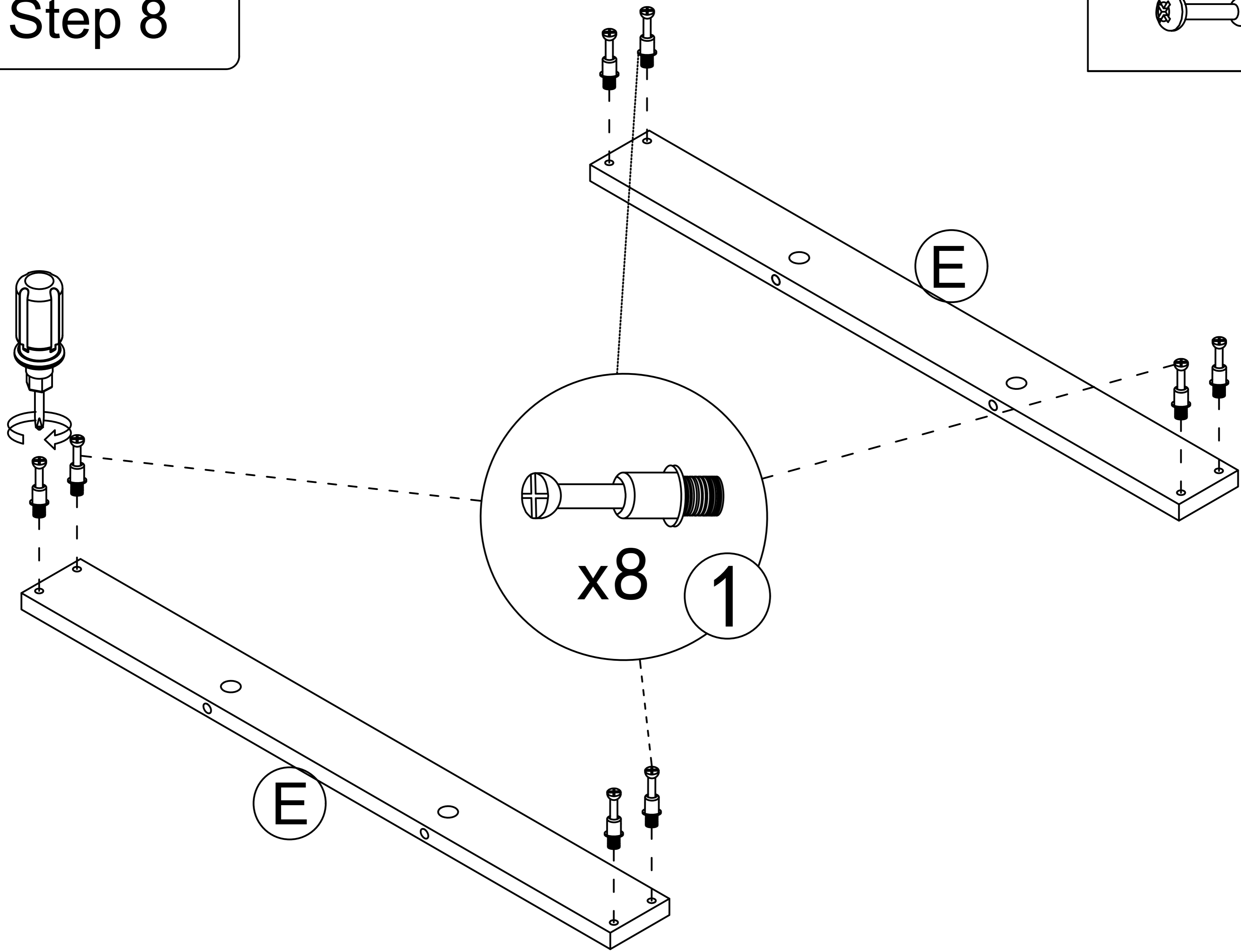
①		33pcs	②		33pcs	③		12pcs
⑤	 4pcs	 12pcs	⑥		4pcs	⑦	 	6pcs
		1pcs						



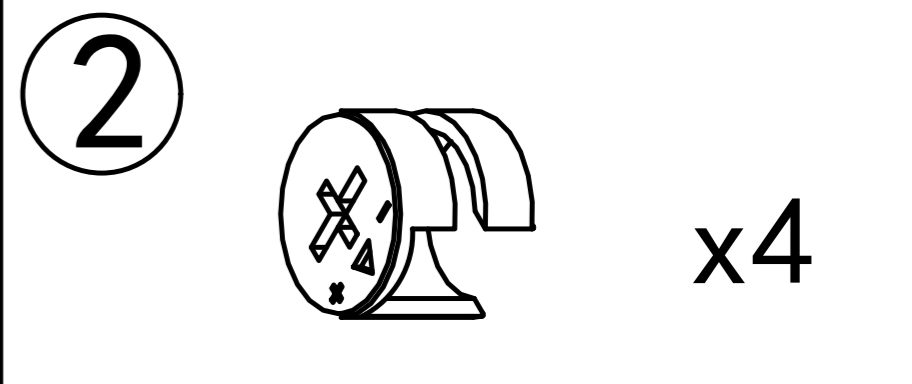
Step 8



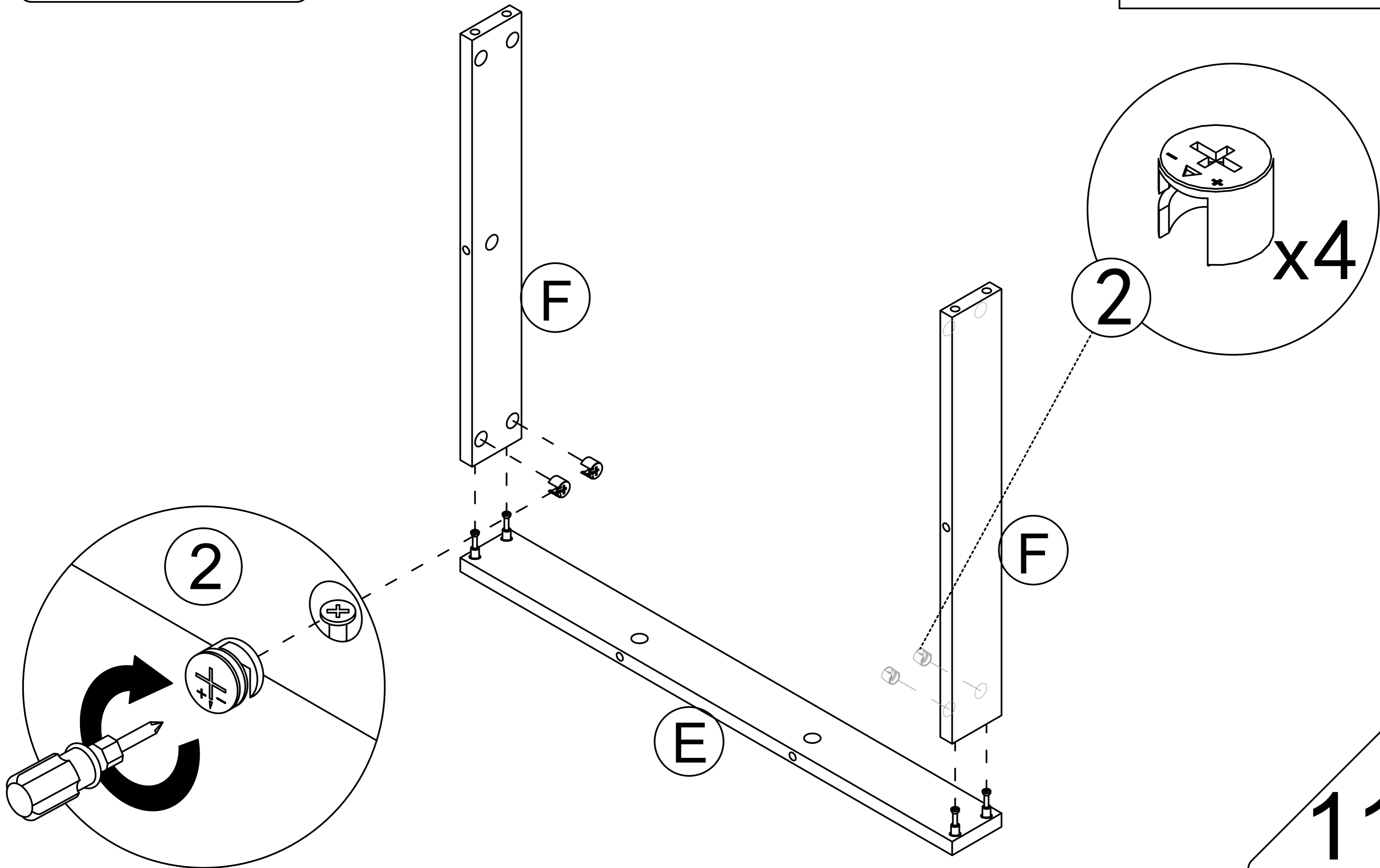
Step 8



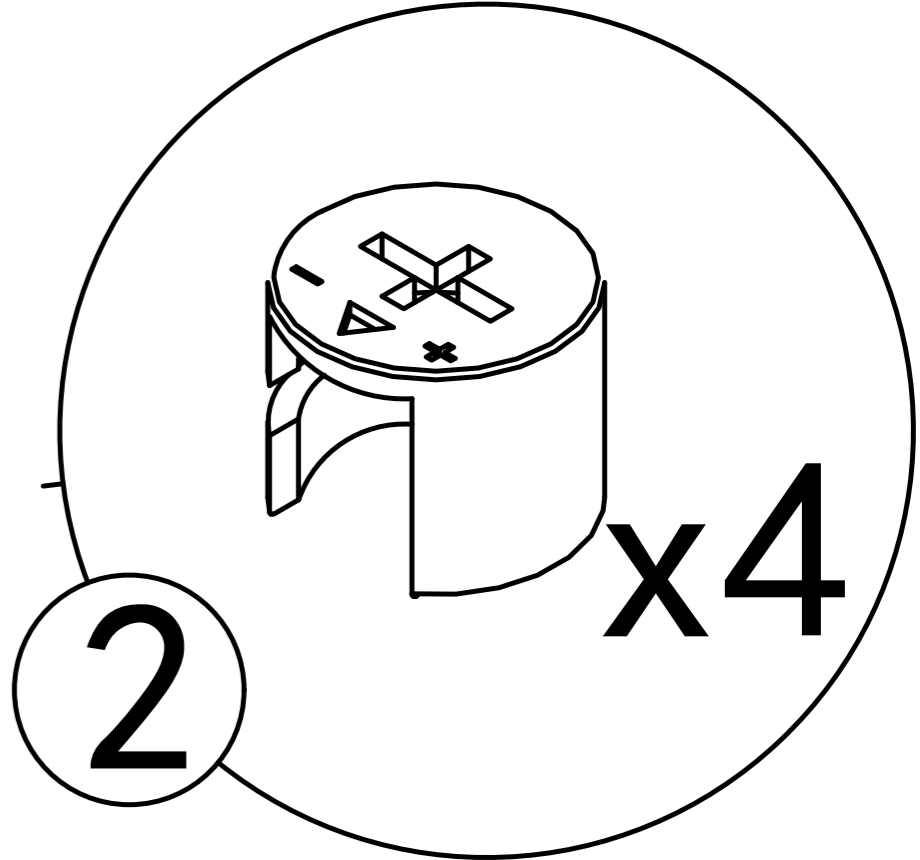
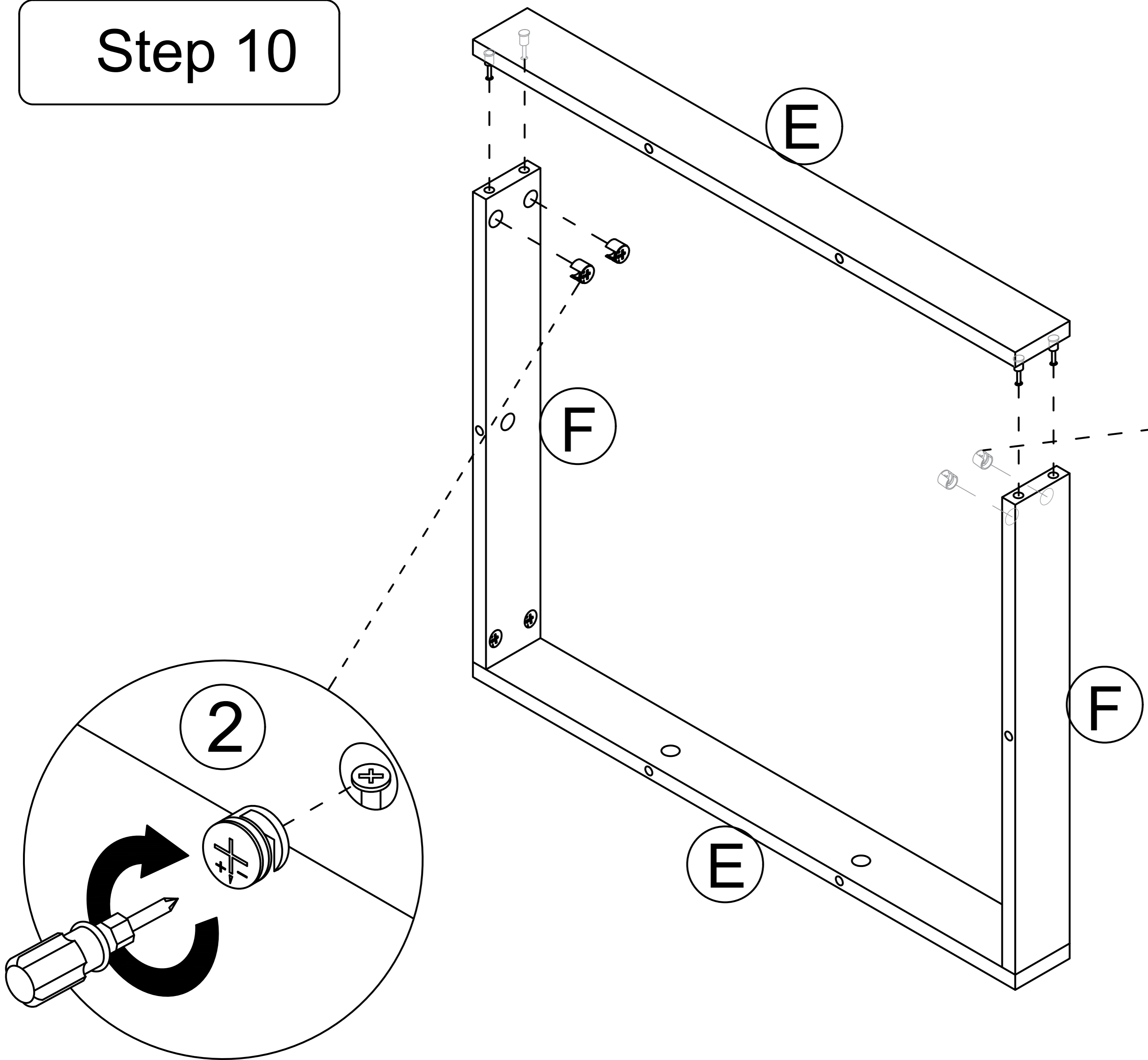
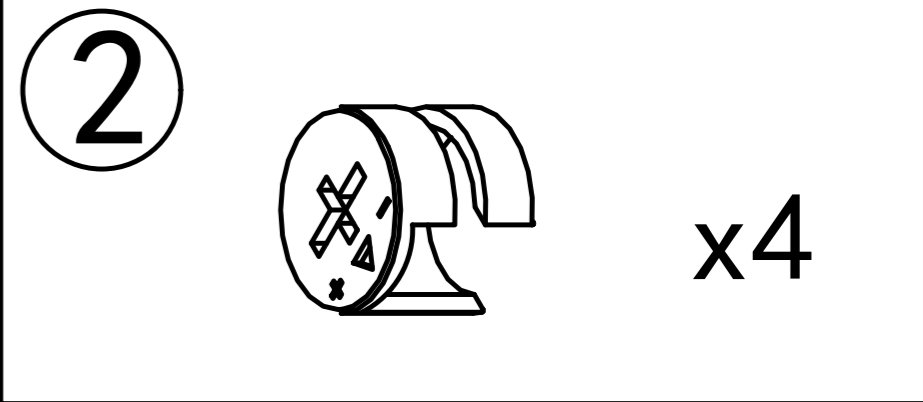
Step 9



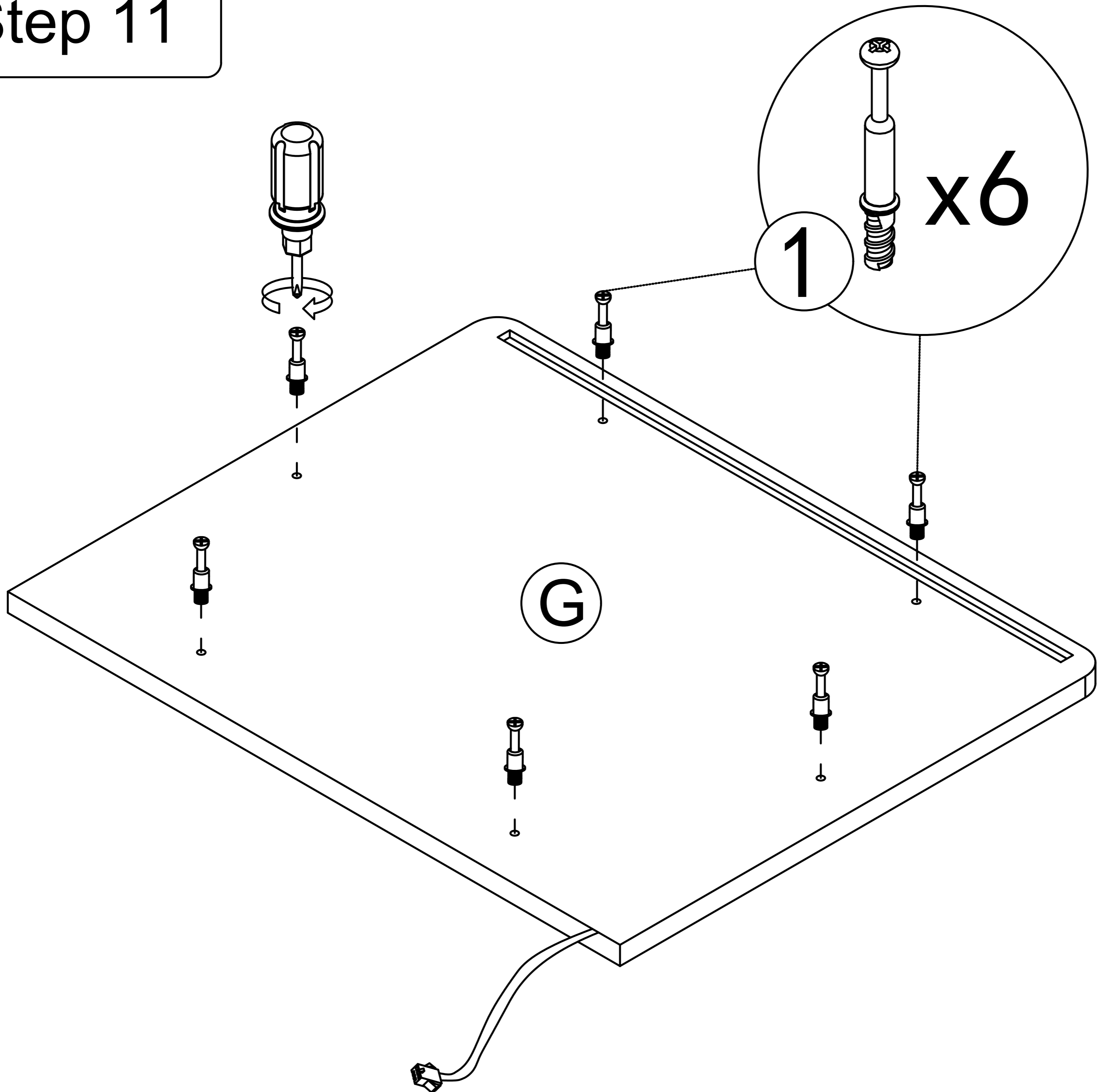
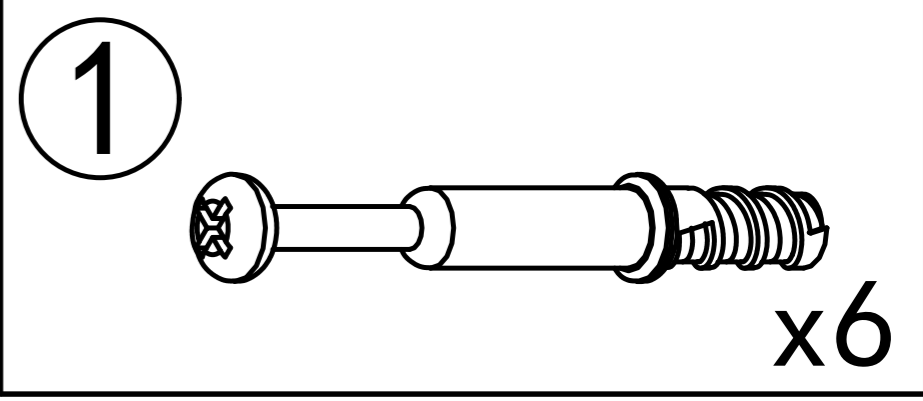
Step 9



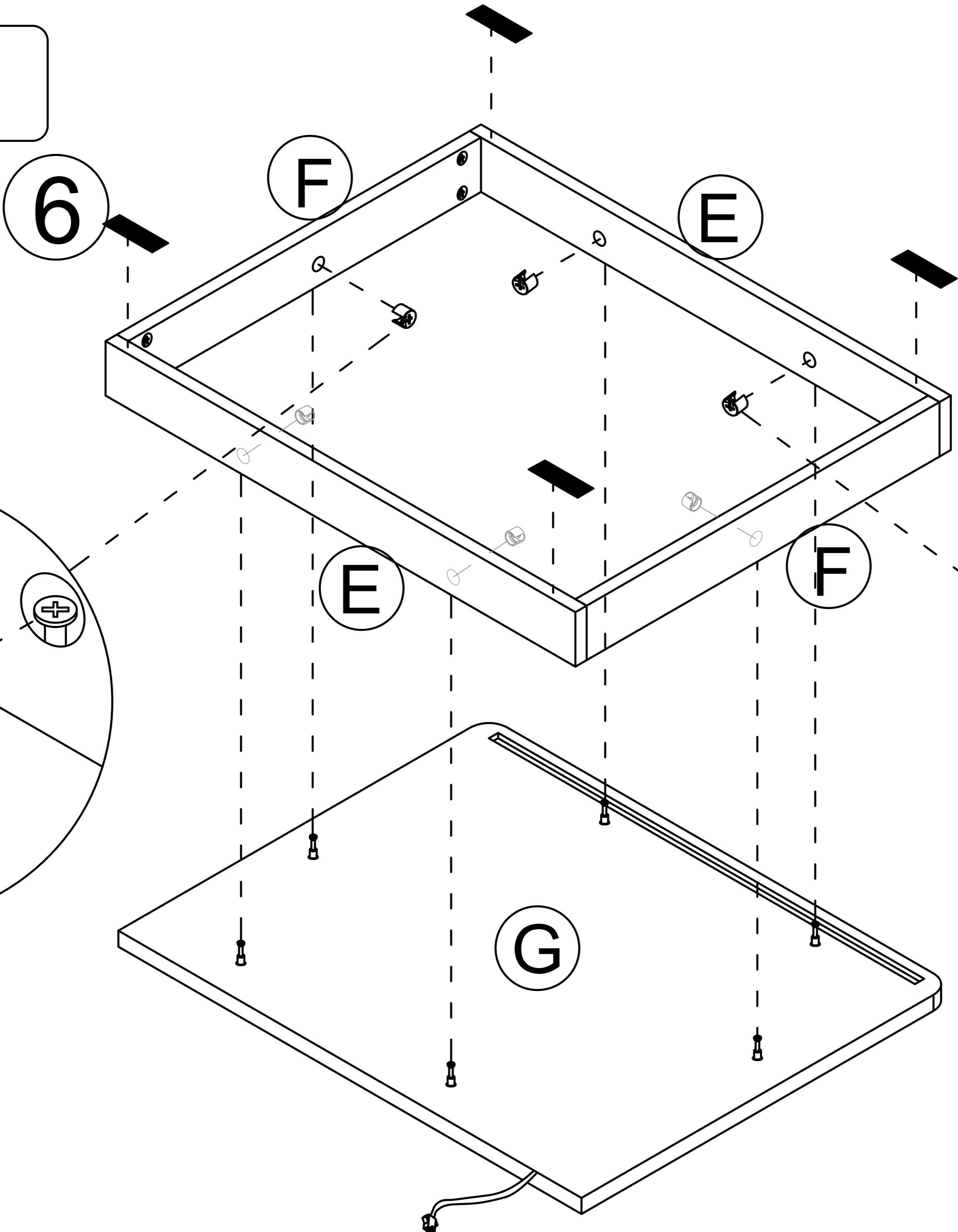
Step 10

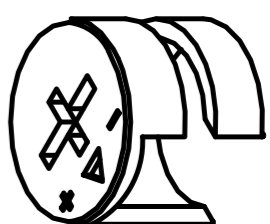


Step 11

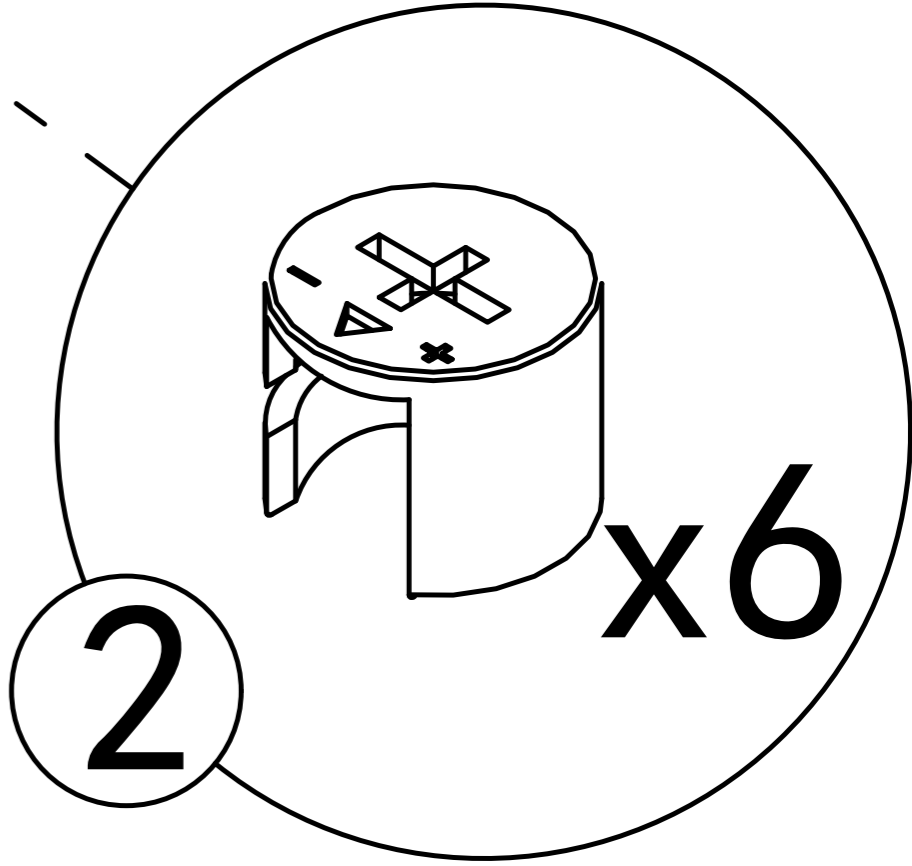
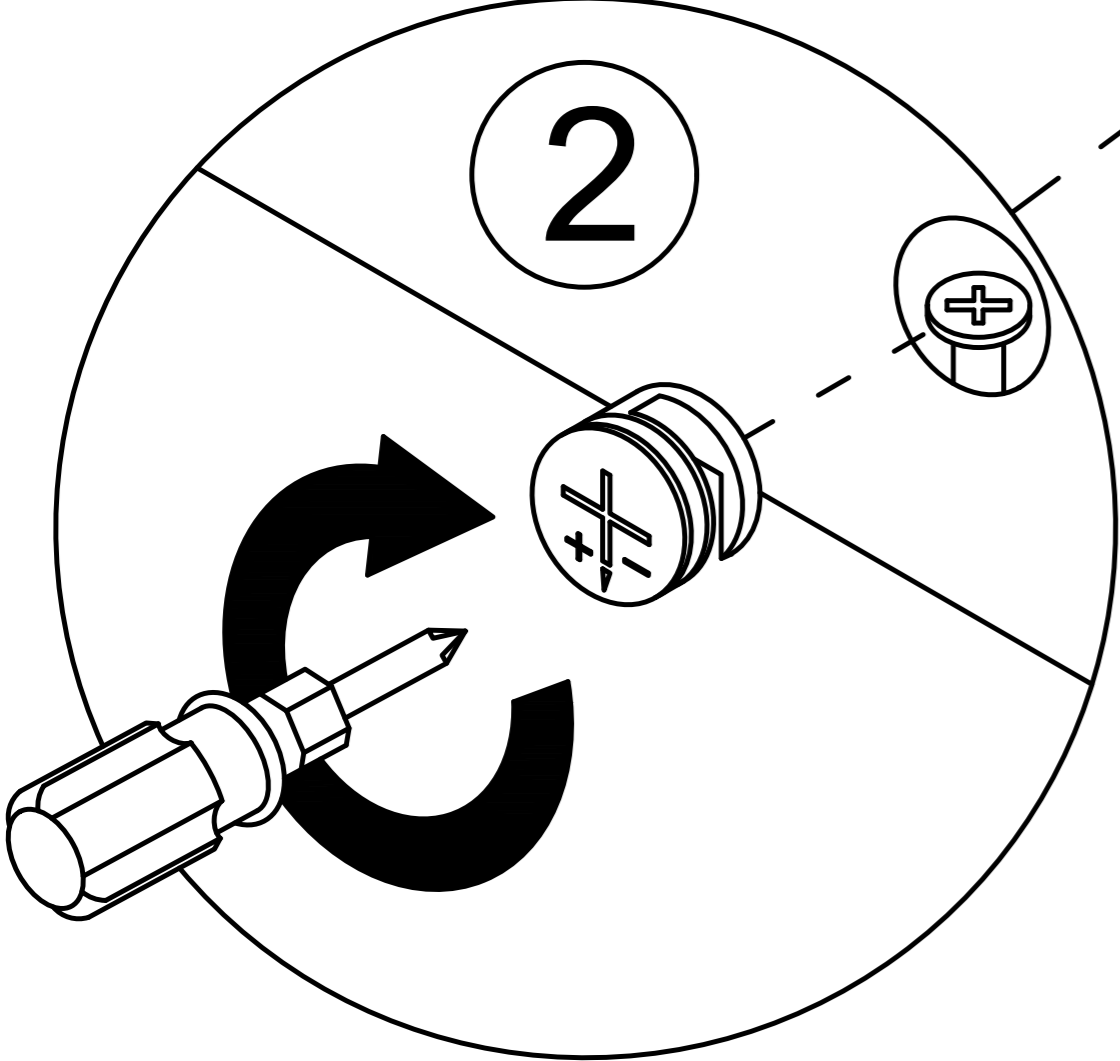


Step 12

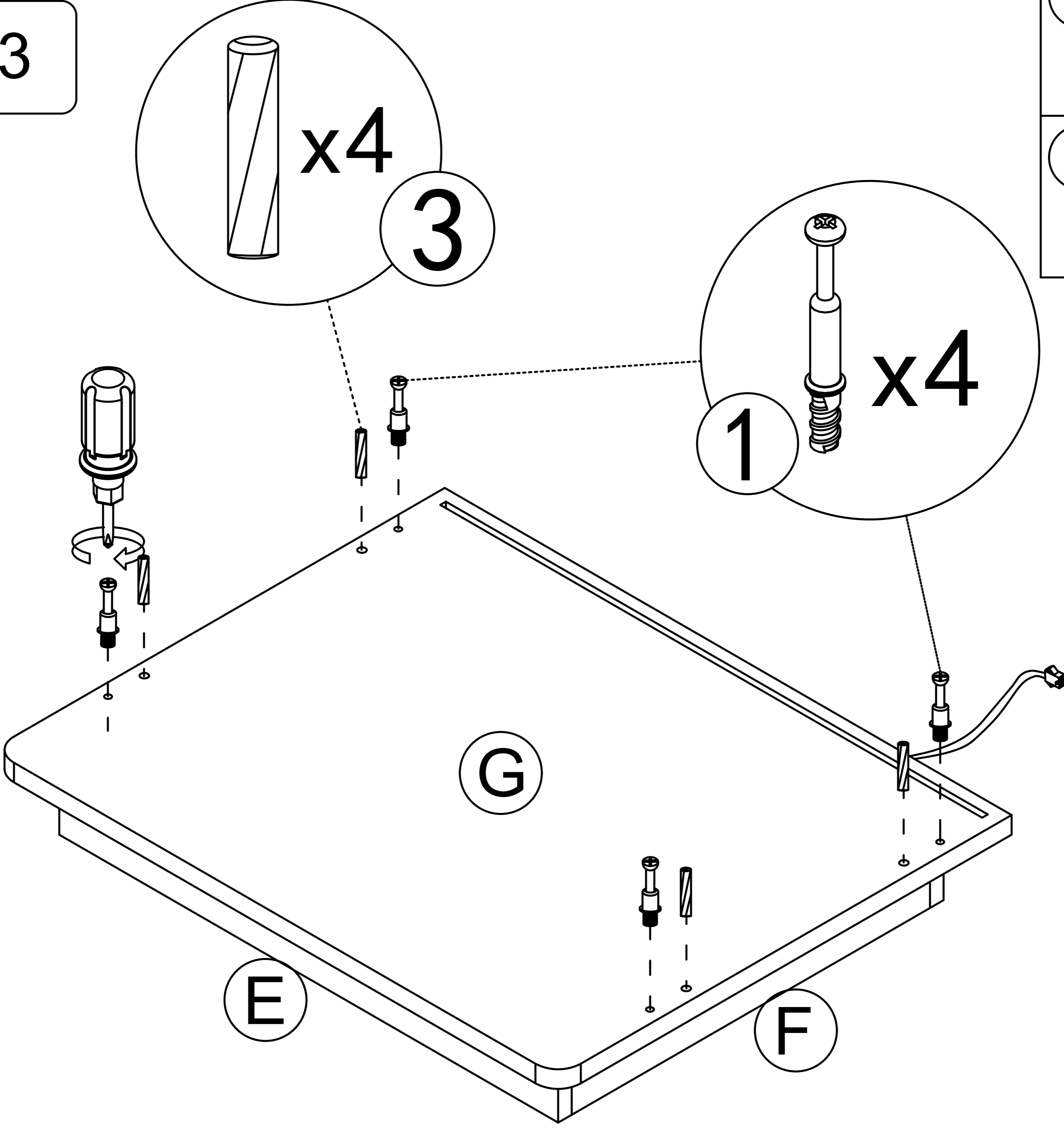


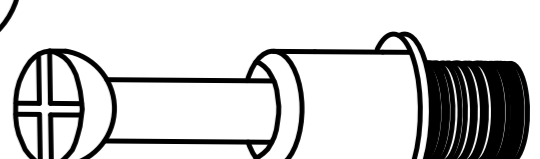
2  x6

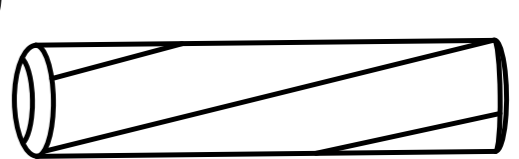
6  x4

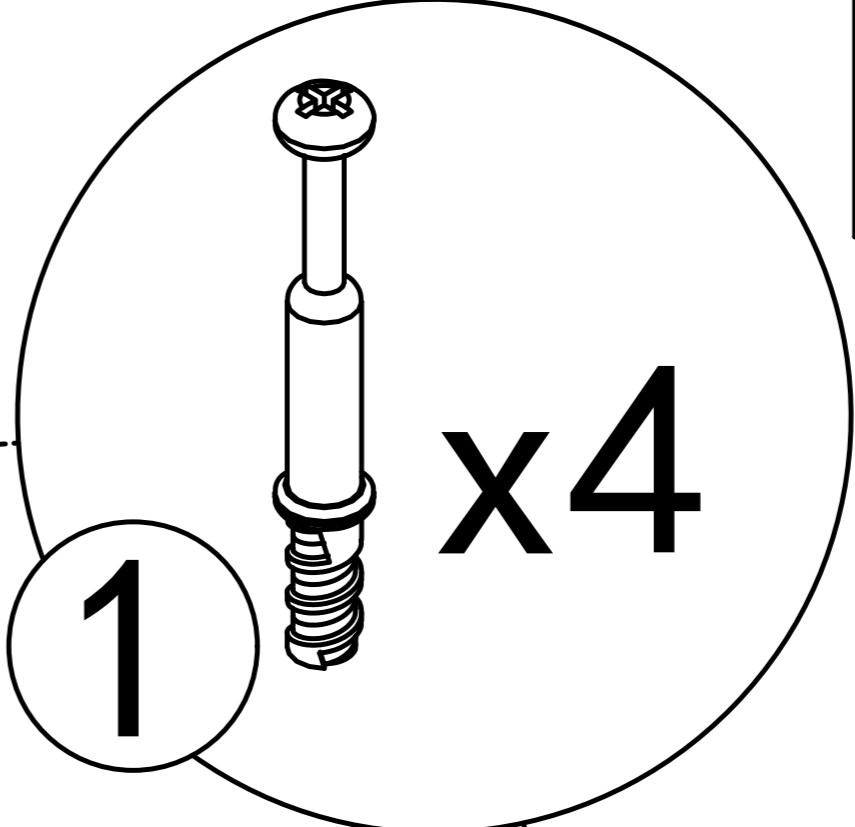


Step 13

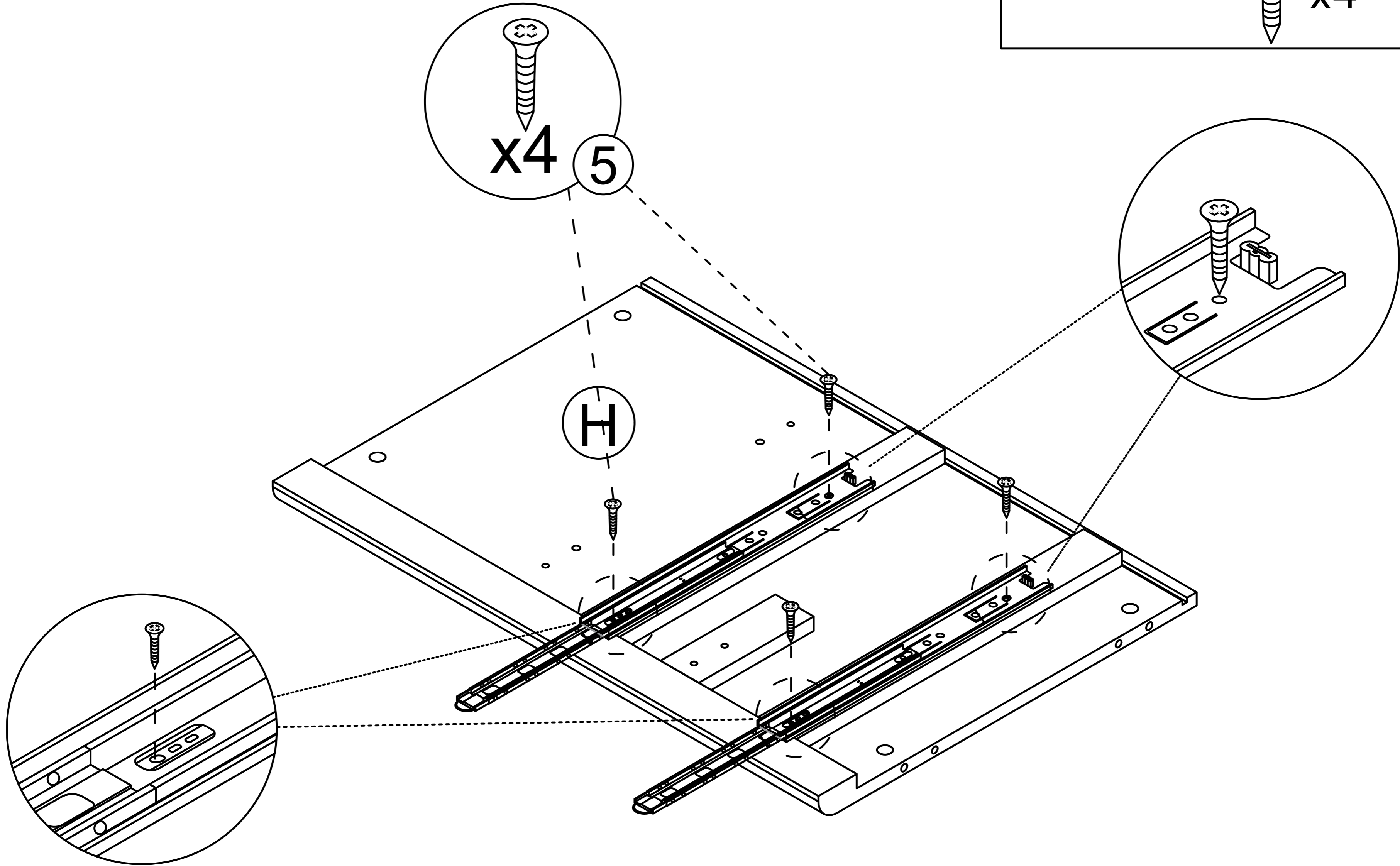
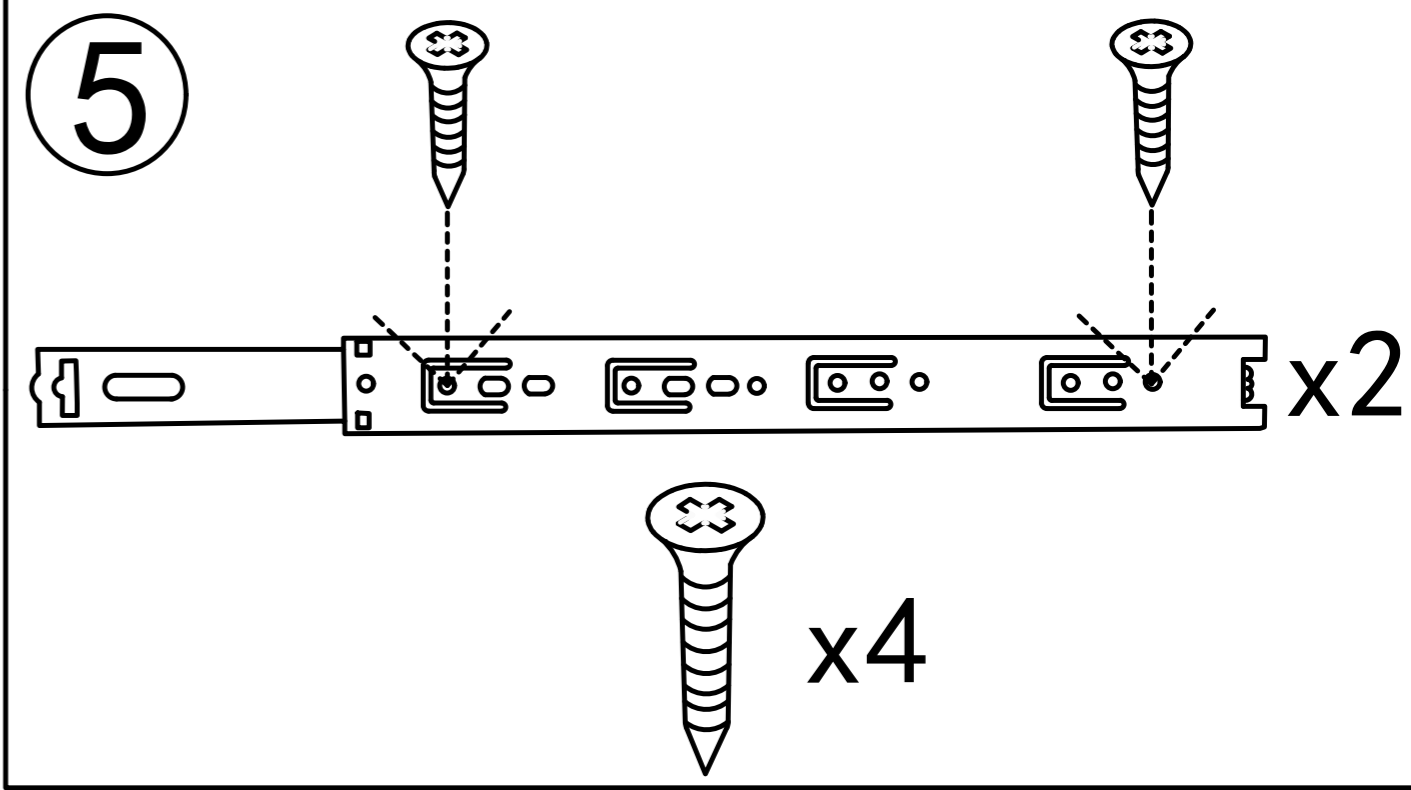


1  x4

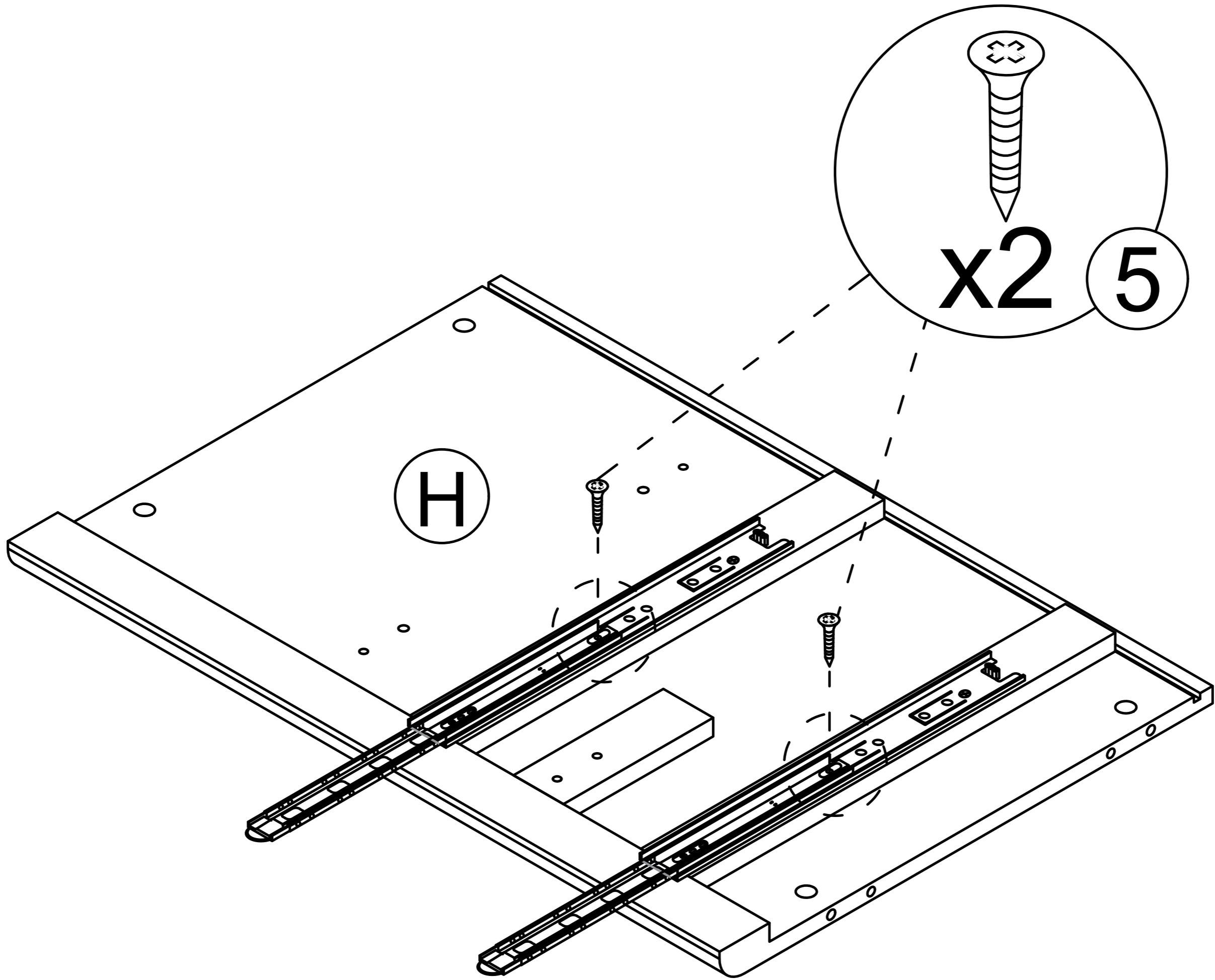
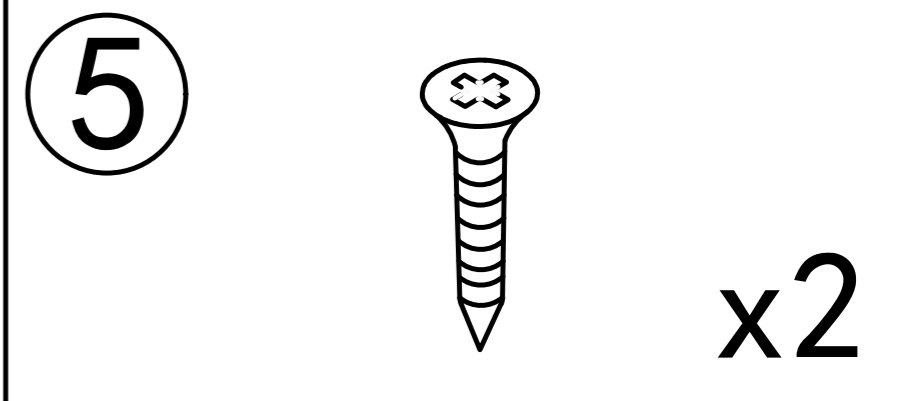
3  x4



Step 14

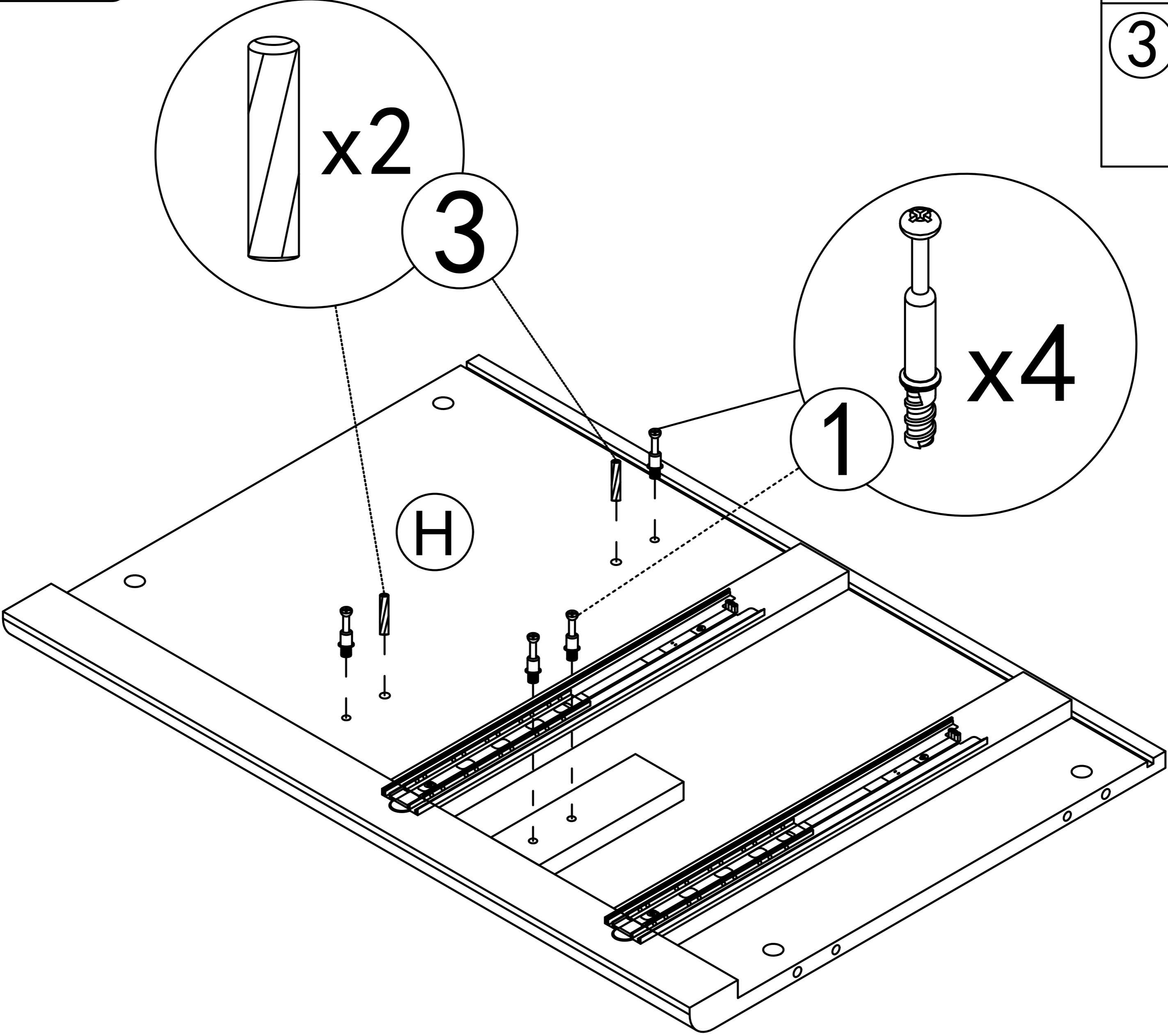


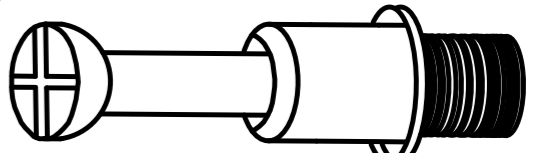
Step 15

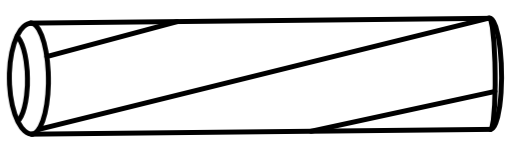


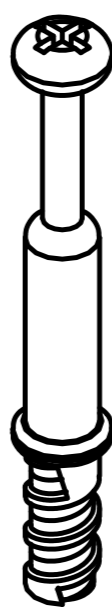
This hole is for strengthening fixed hole customers can choose to install according to their needs.

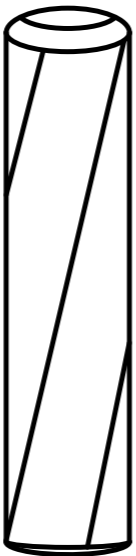
Step 16



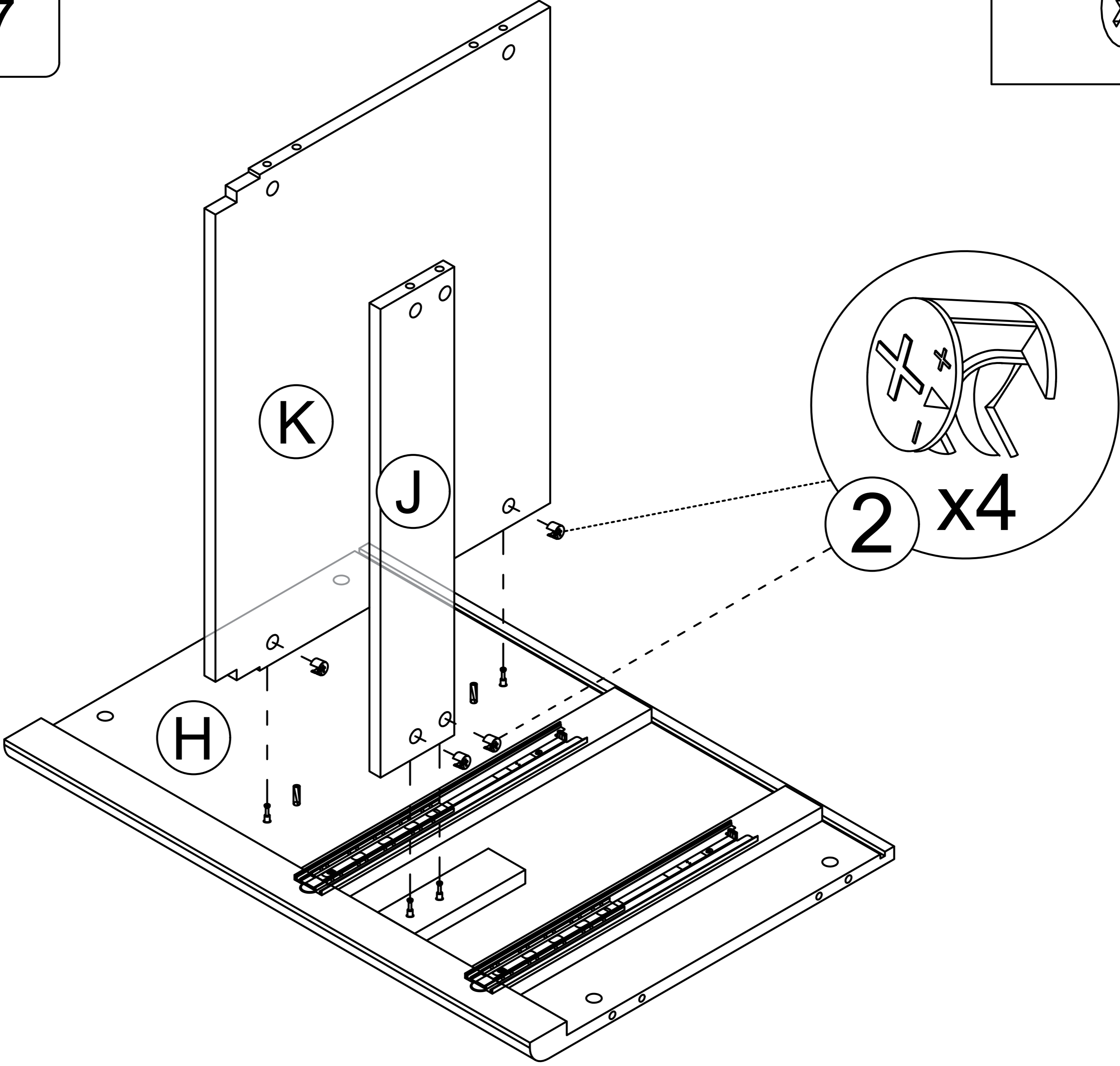
①  x4

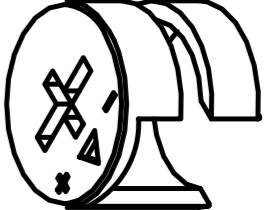
③  x2

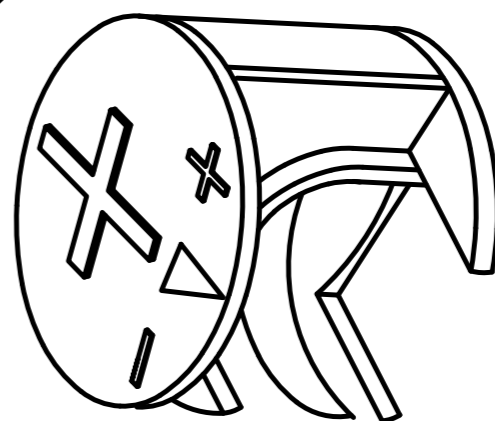
①  x4


x2  ③


Step 17



②  x4

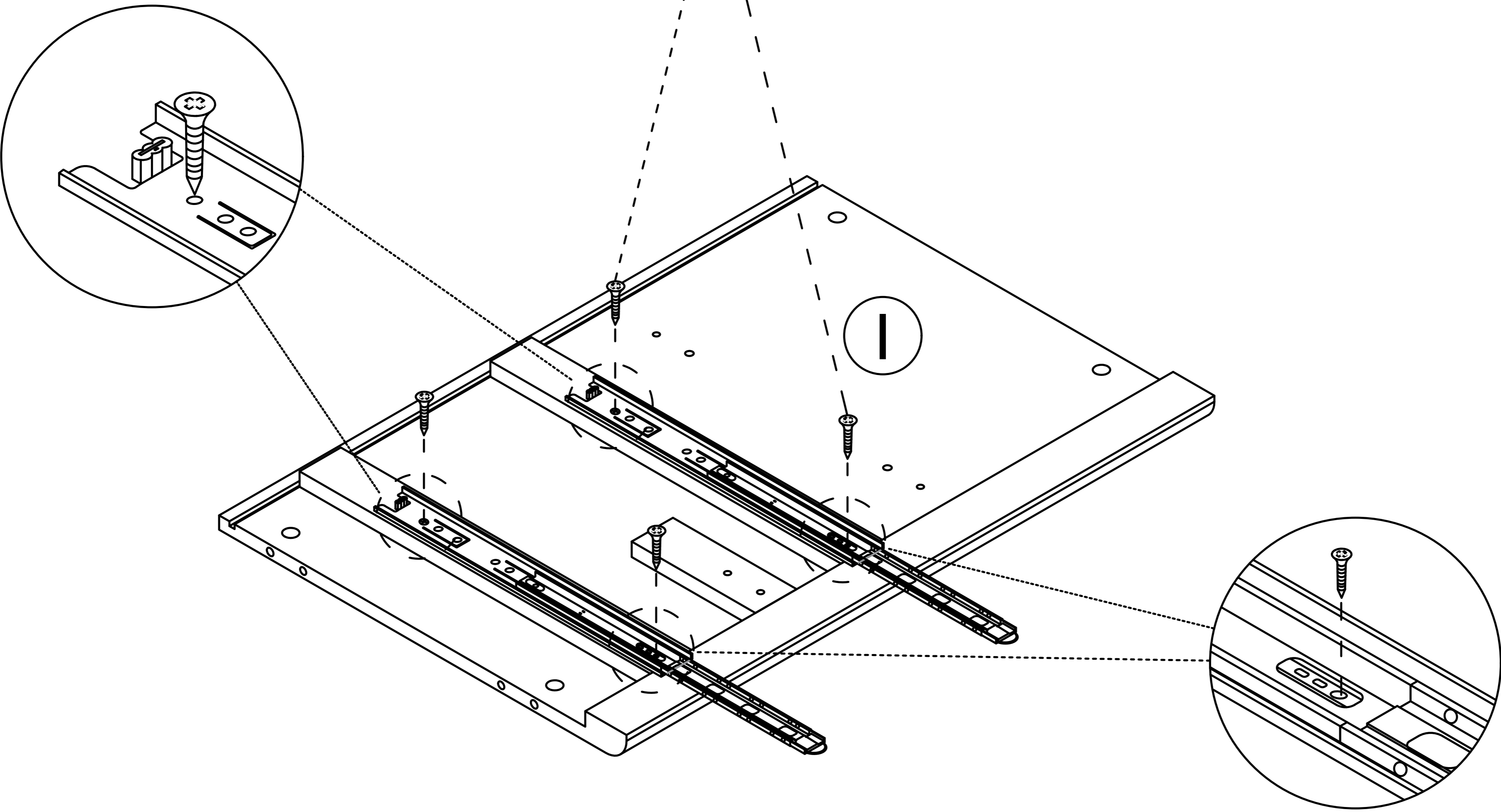
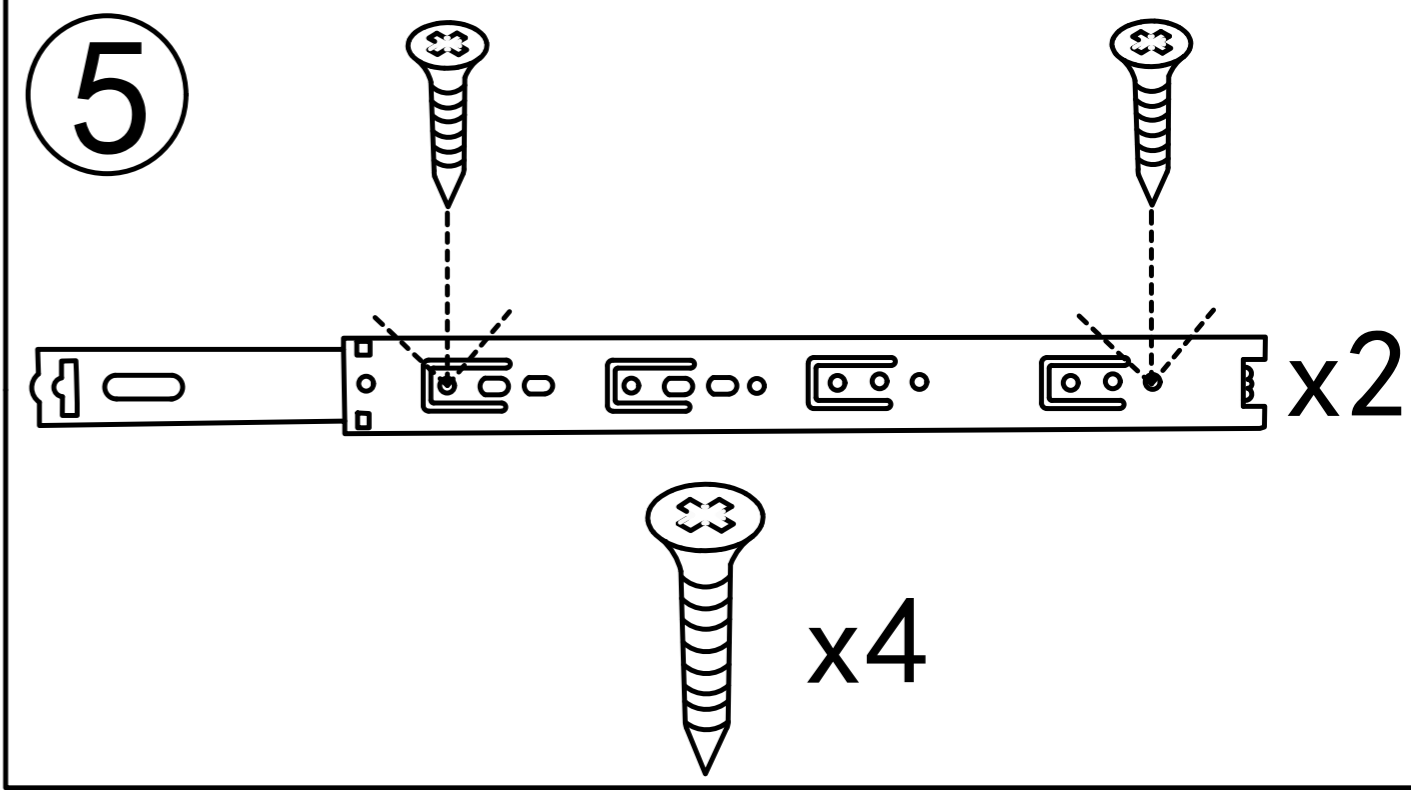
②  x4

①  x4

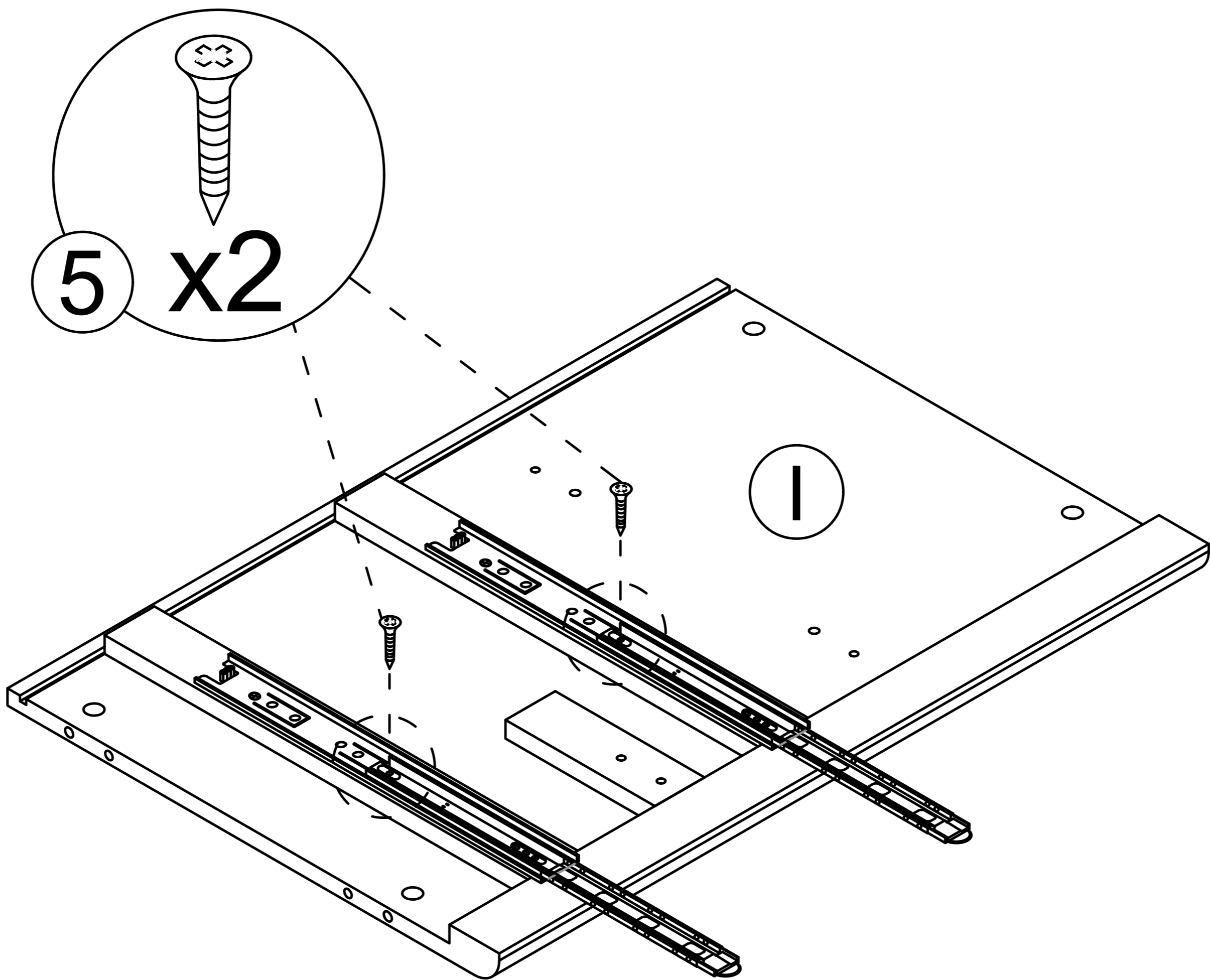
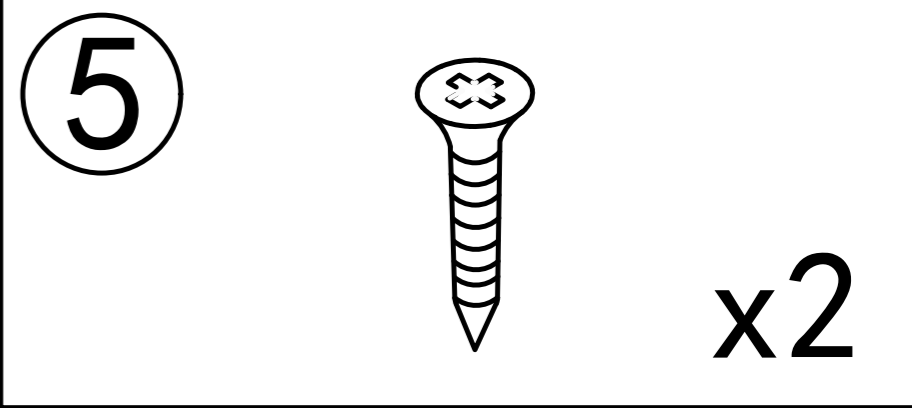
②  x4

③  x4

Step 18

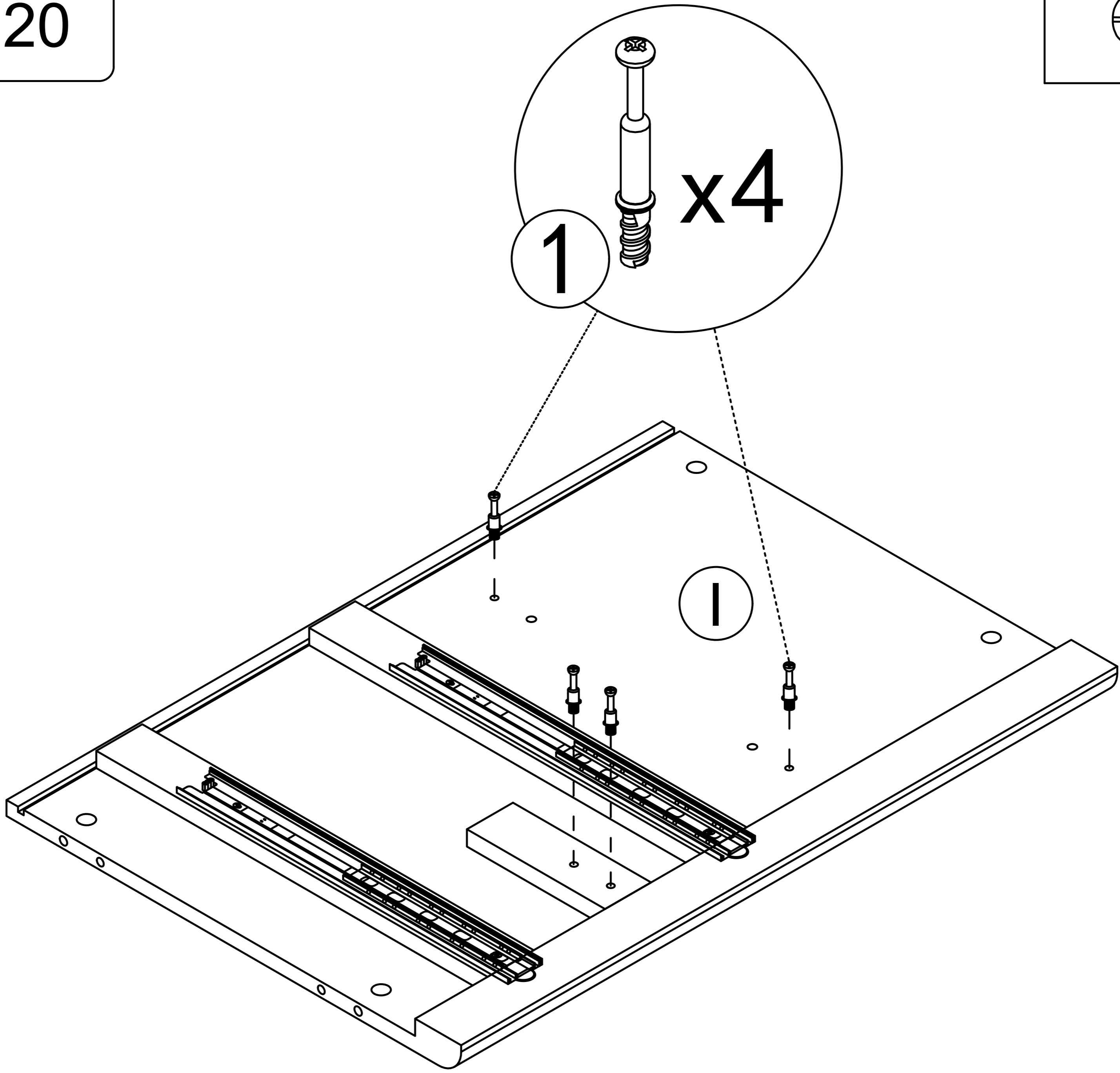
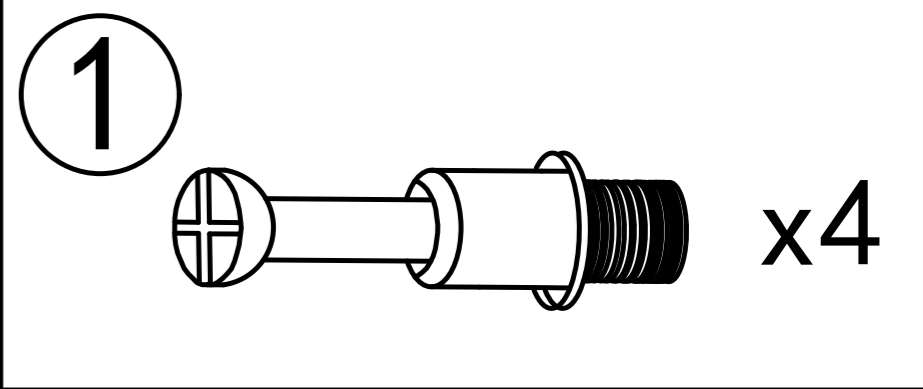


Step 19

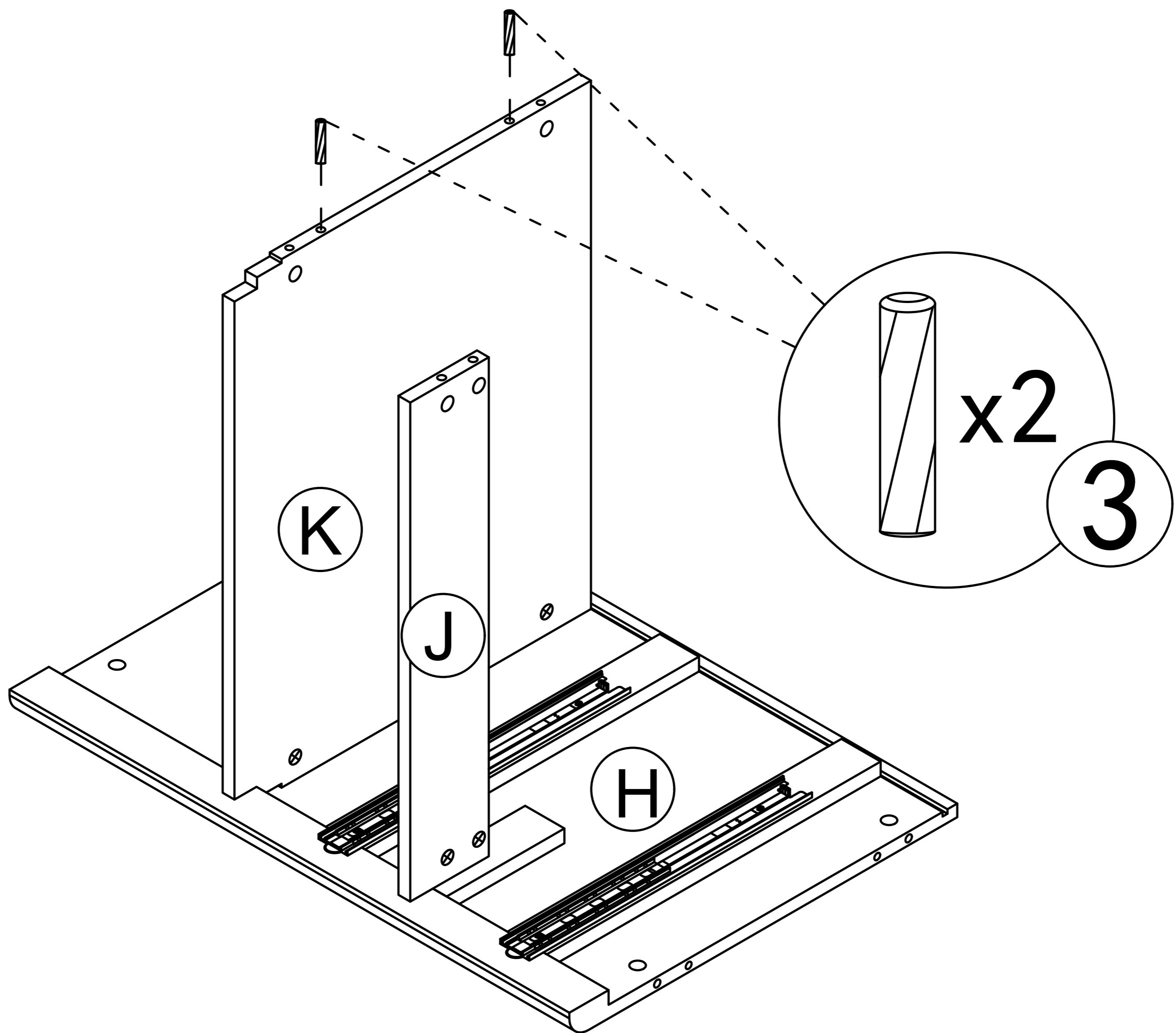
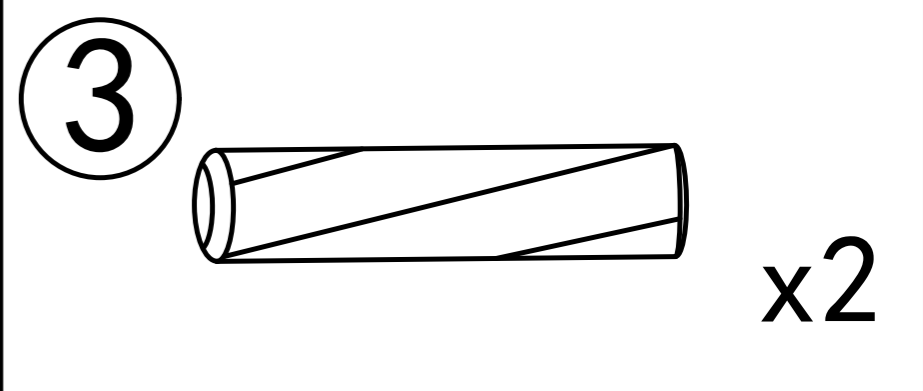


This hole is for strengthening fixed hole customers can choose to install according to their needs.

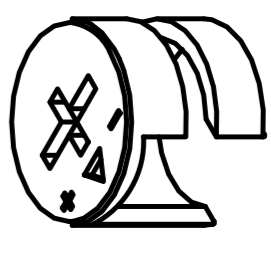
Step 20

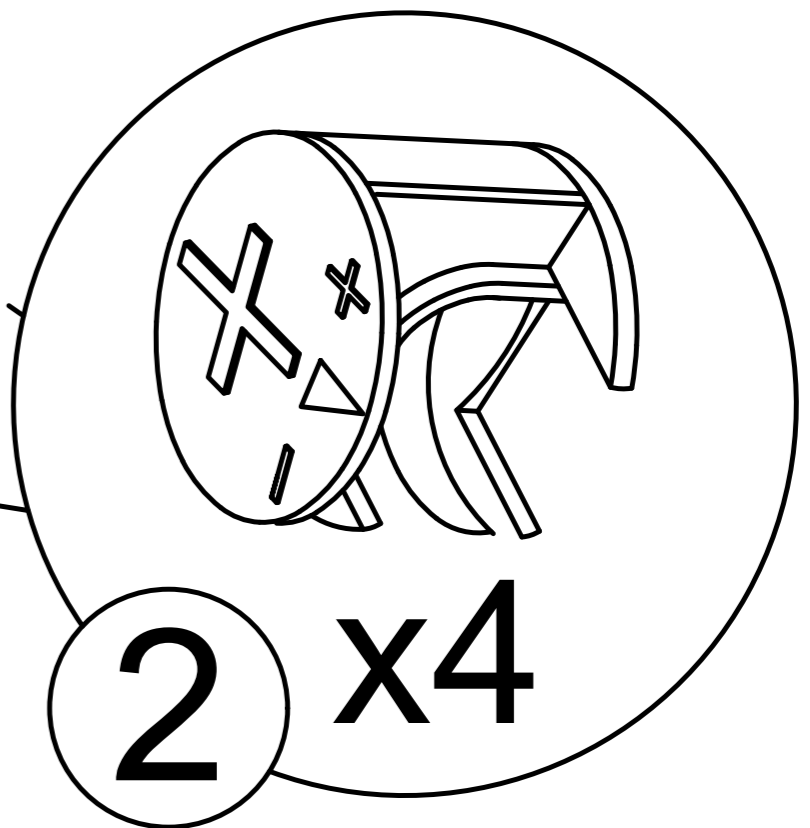
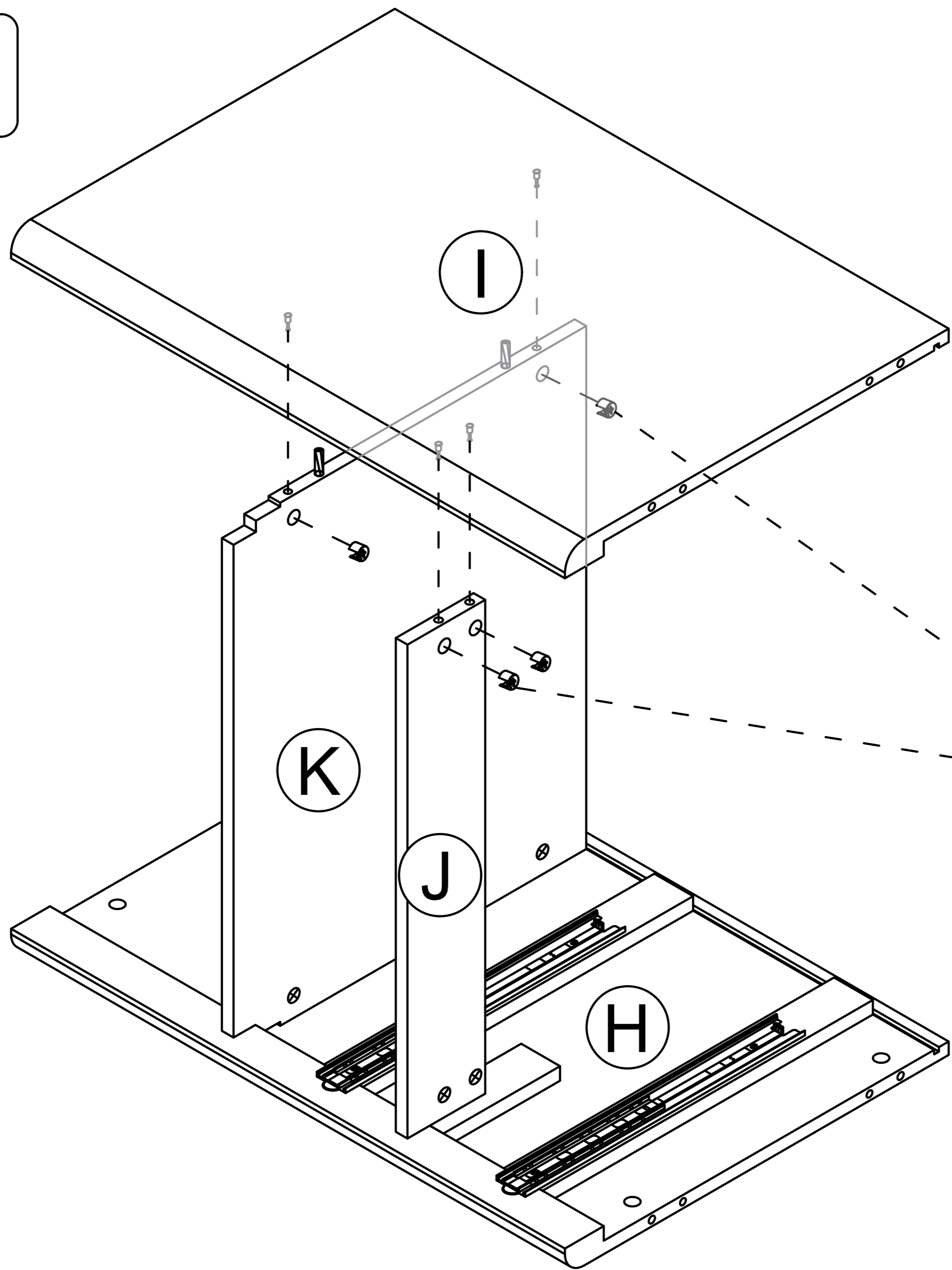


Step 21

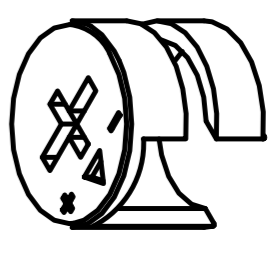


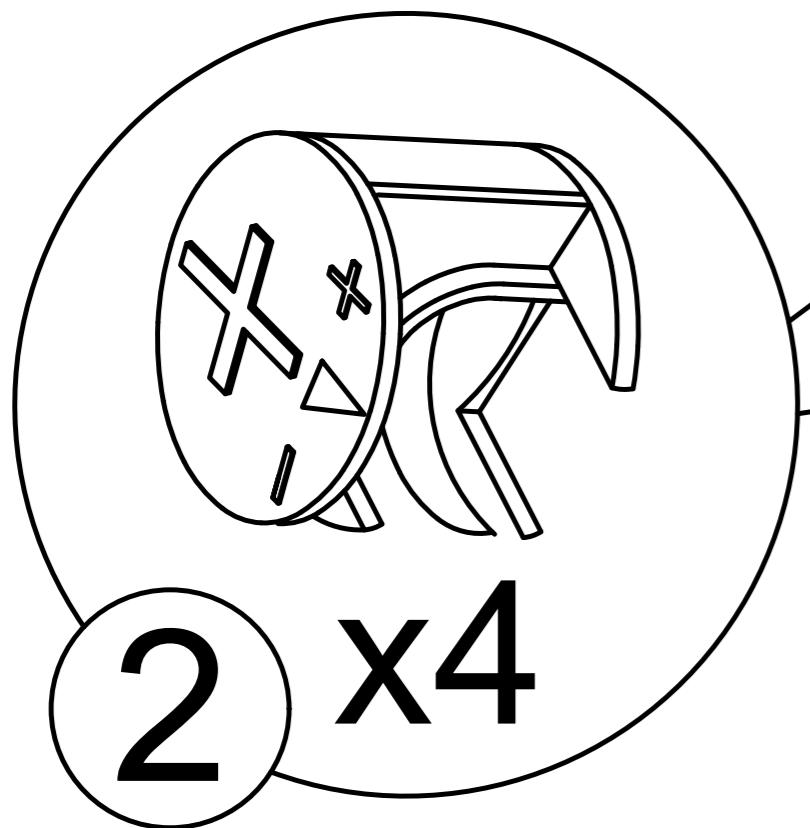
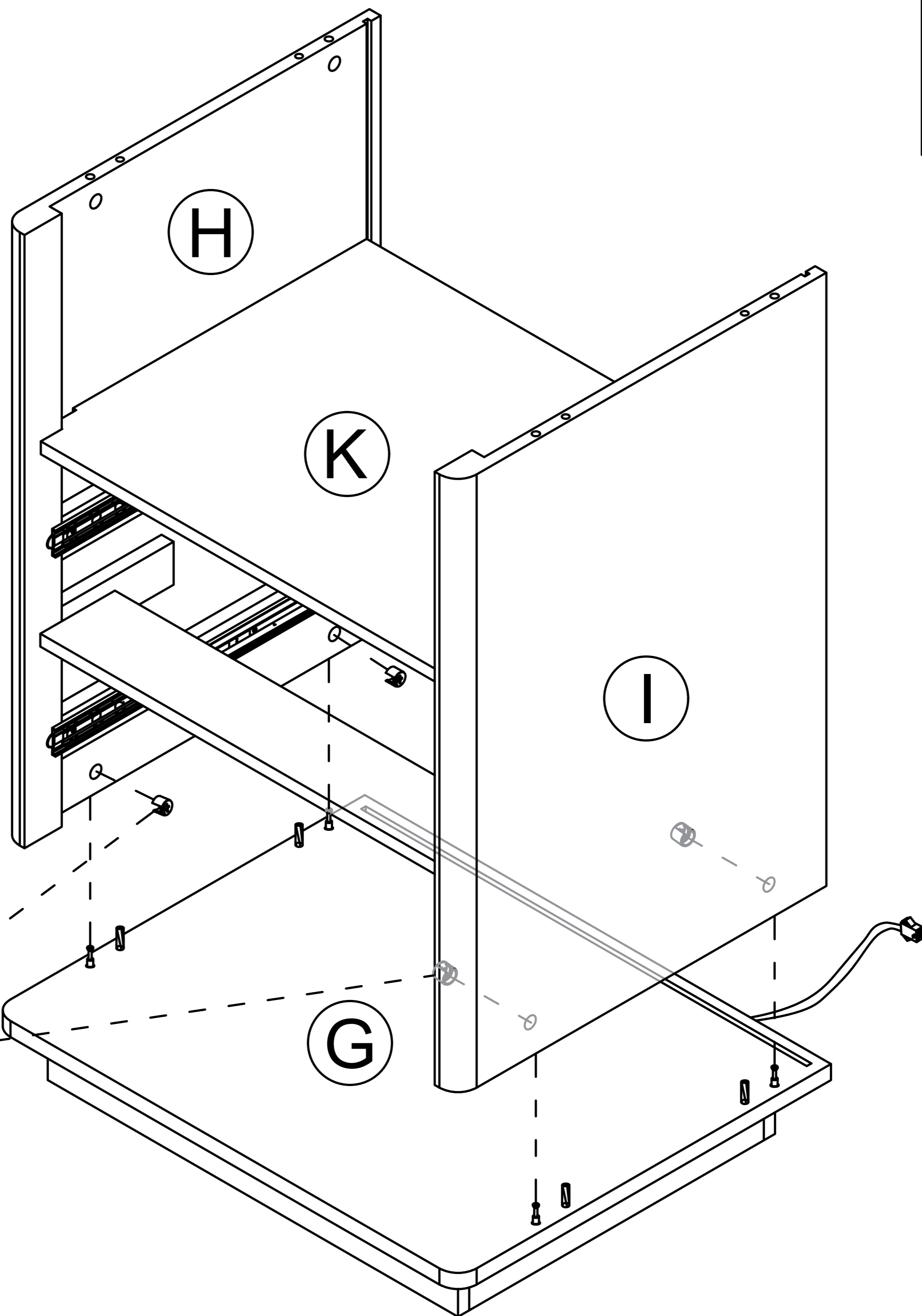
Step 22

2  x4

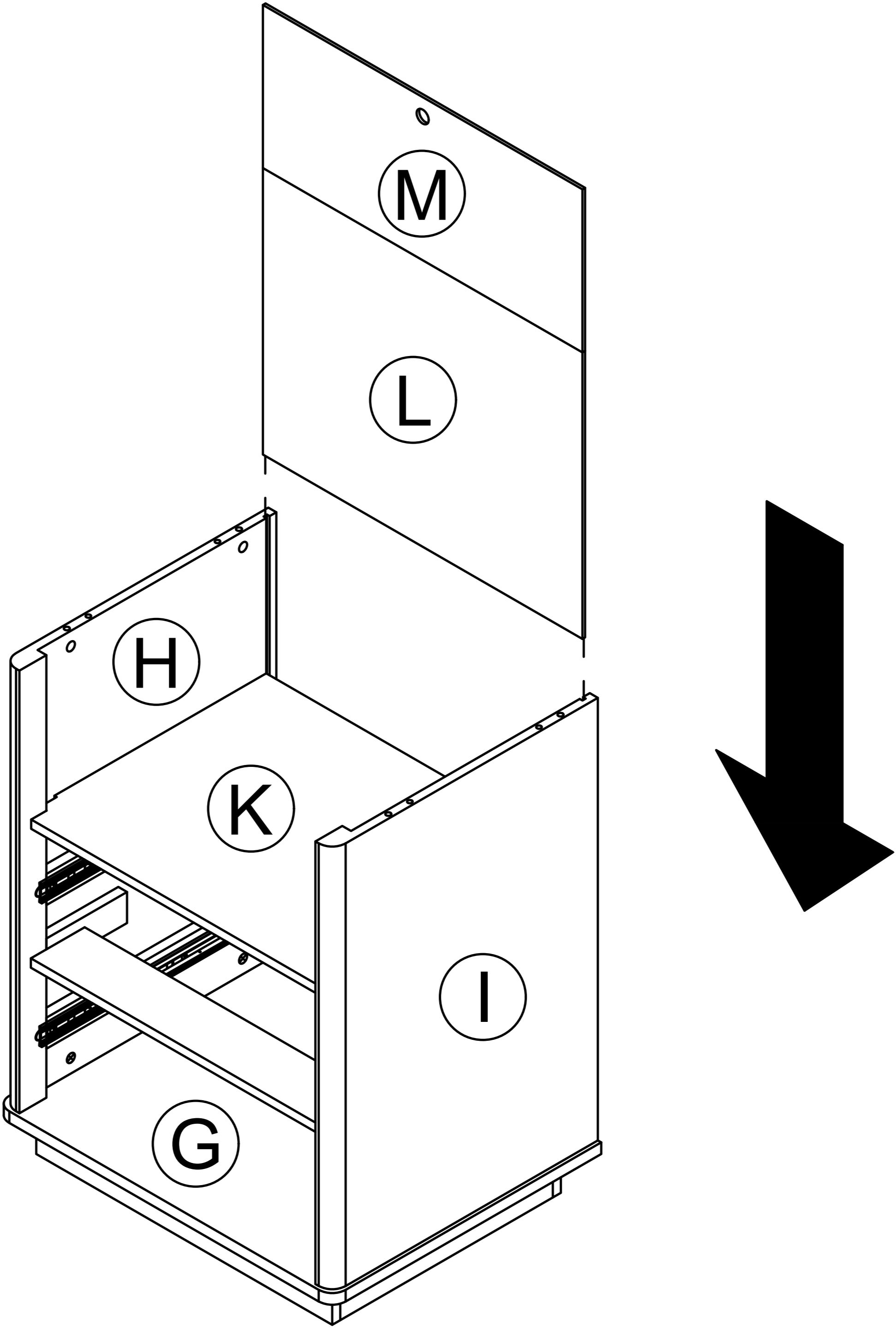


Step 23

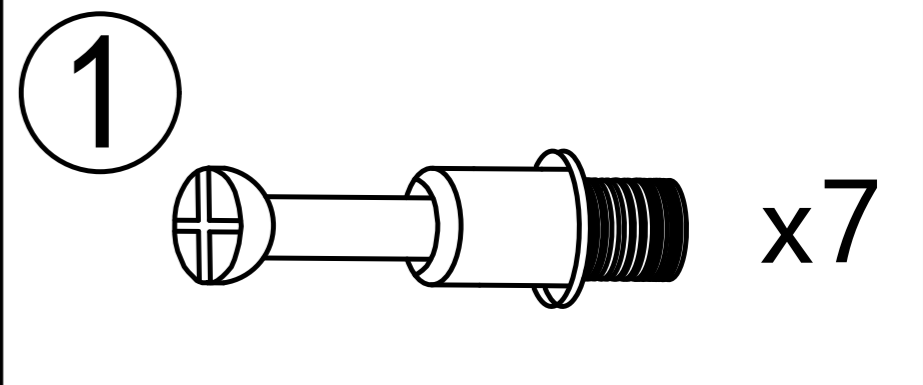
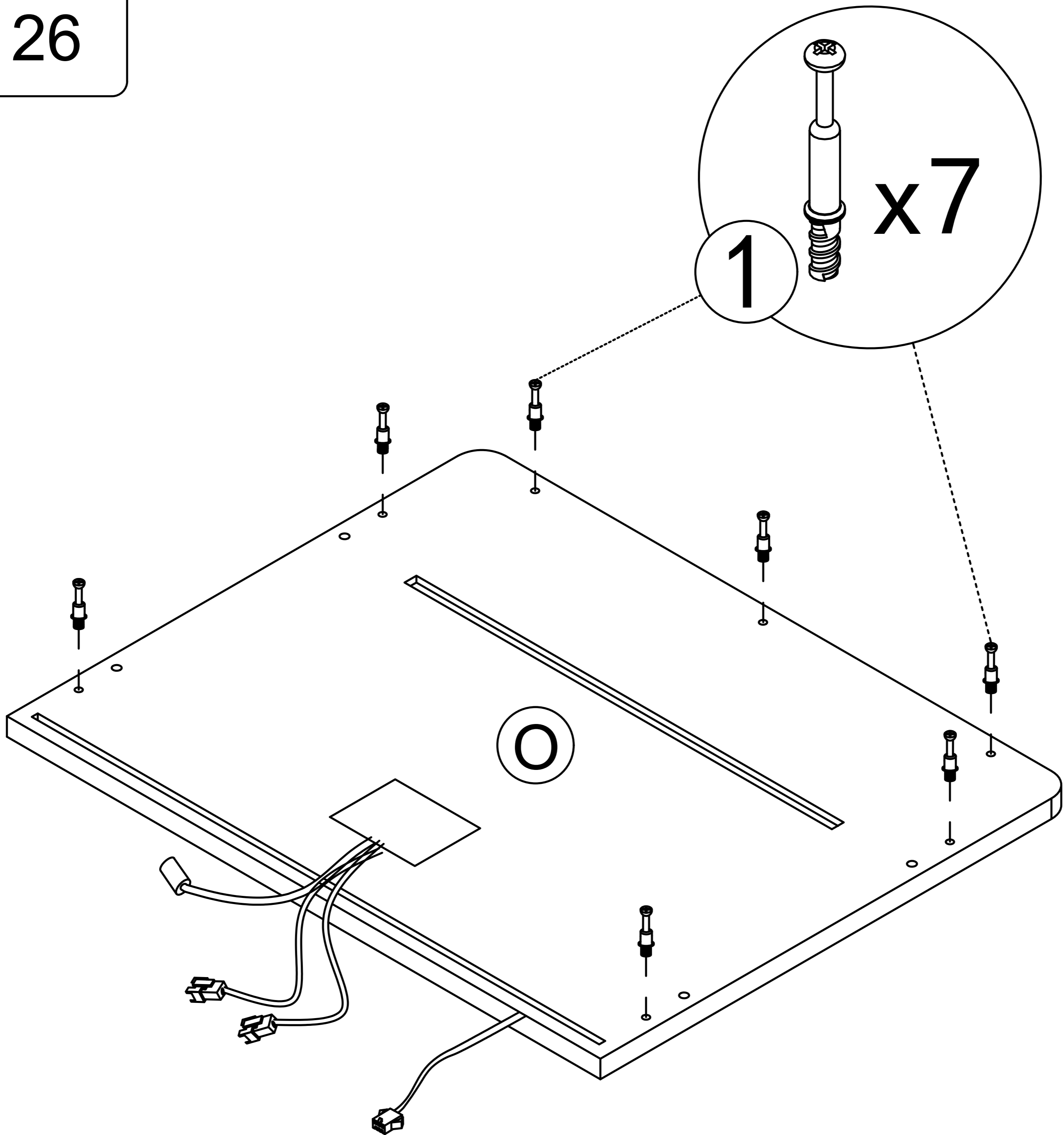
2  x4



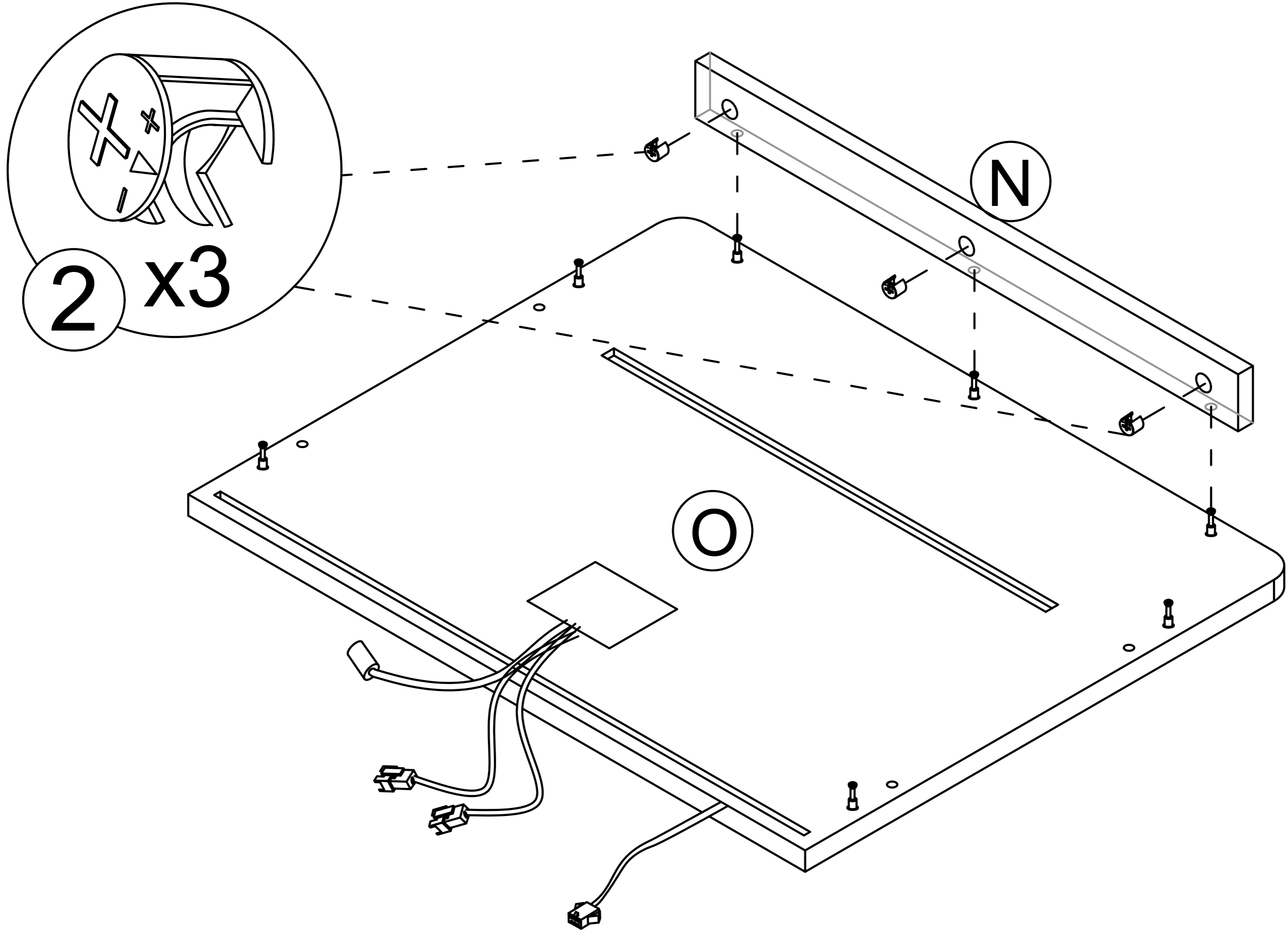
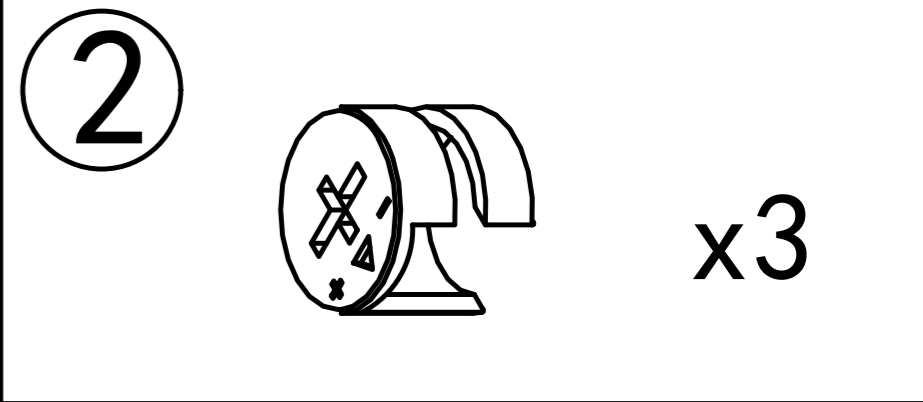
Step 24



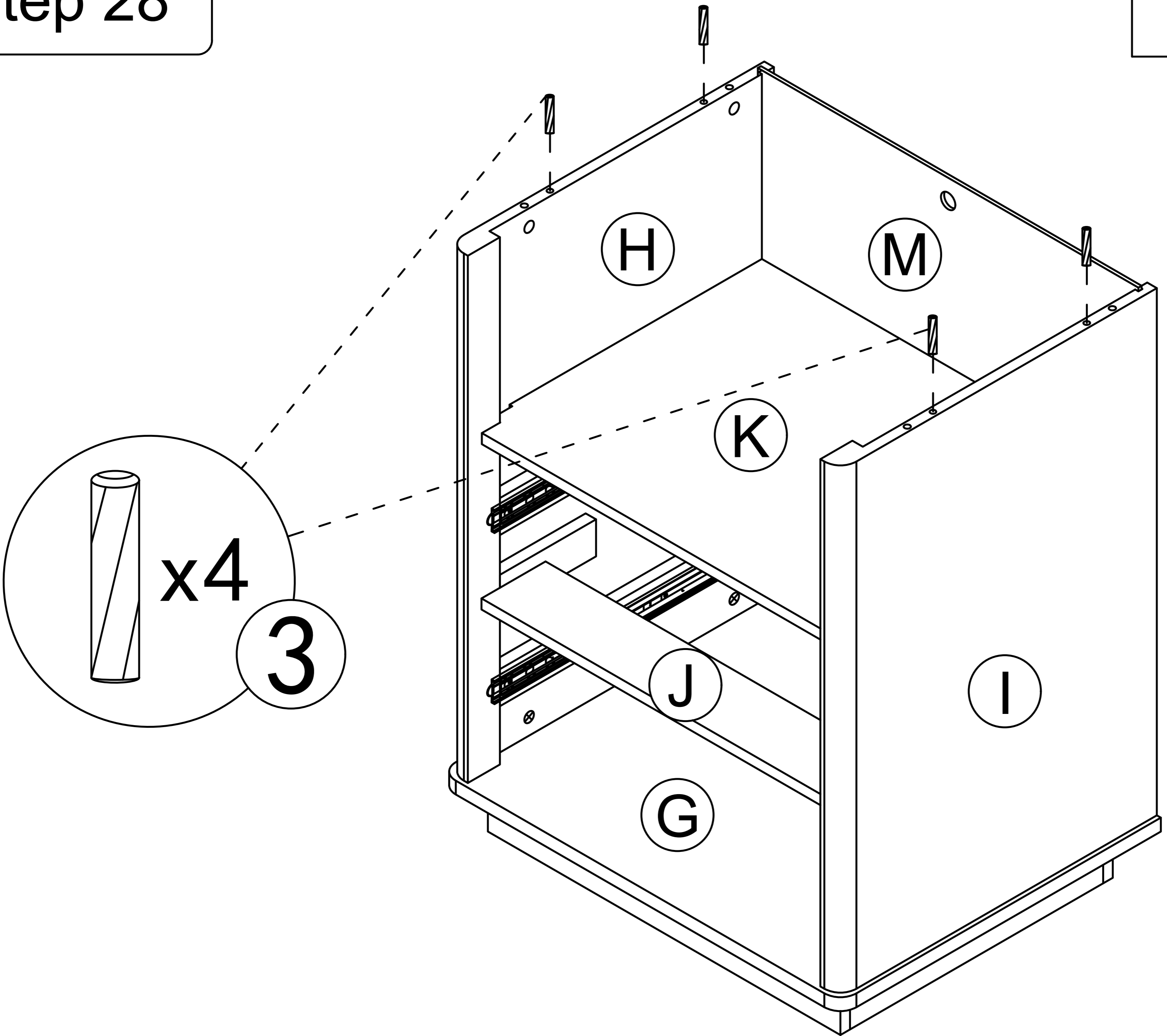
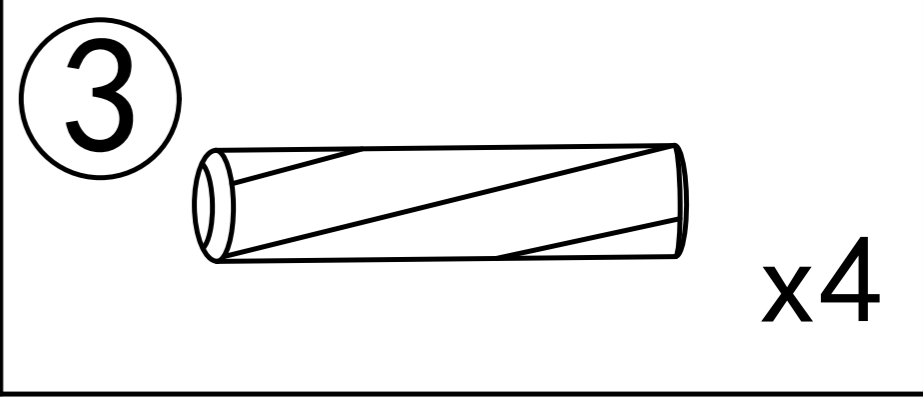
Step 26



Step 27

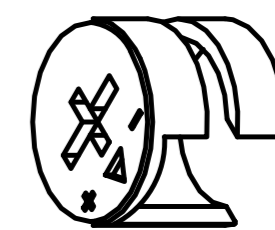


Step 28

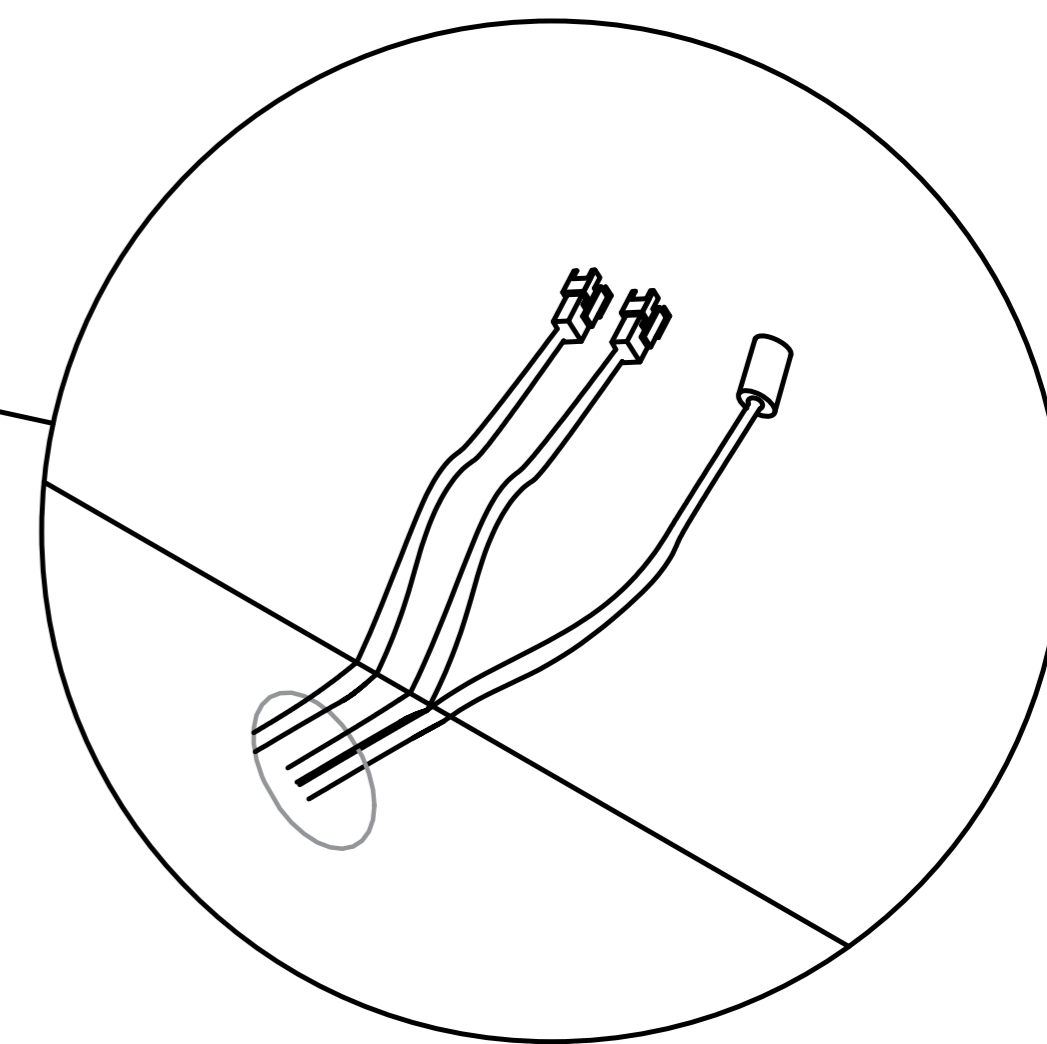
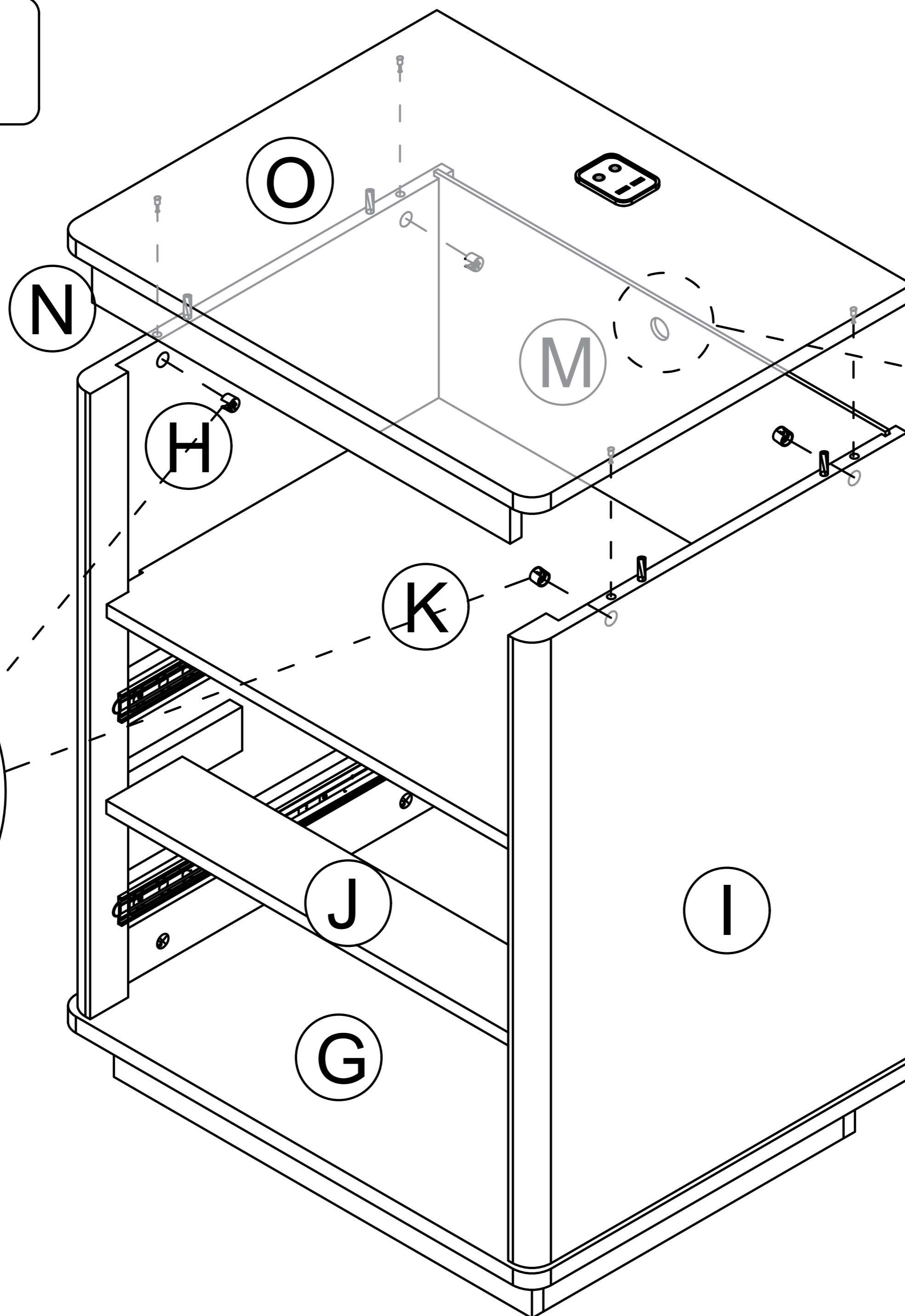
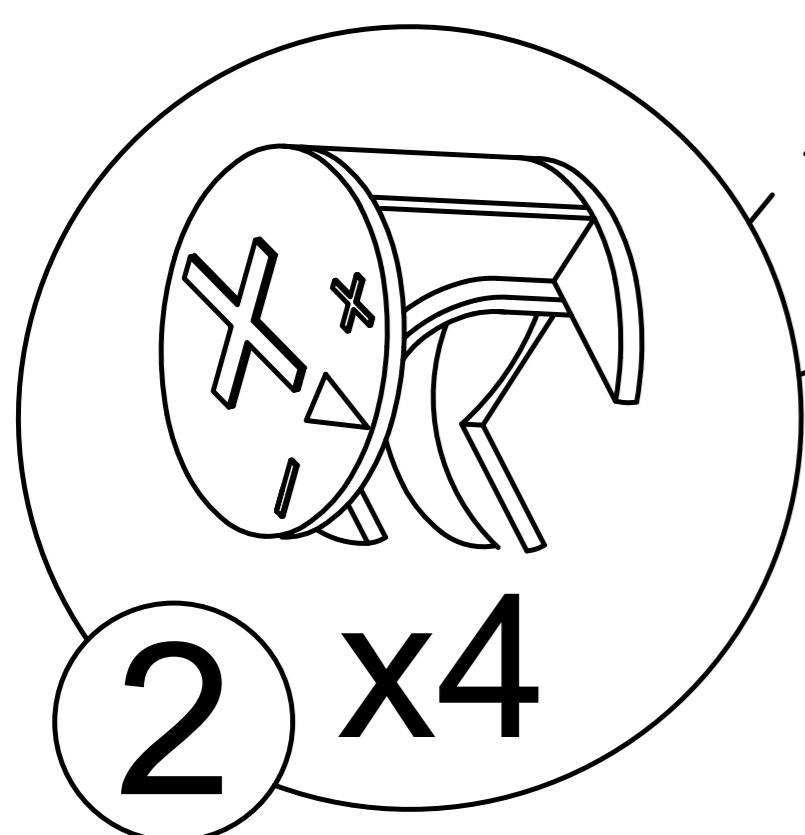


Step 29

2

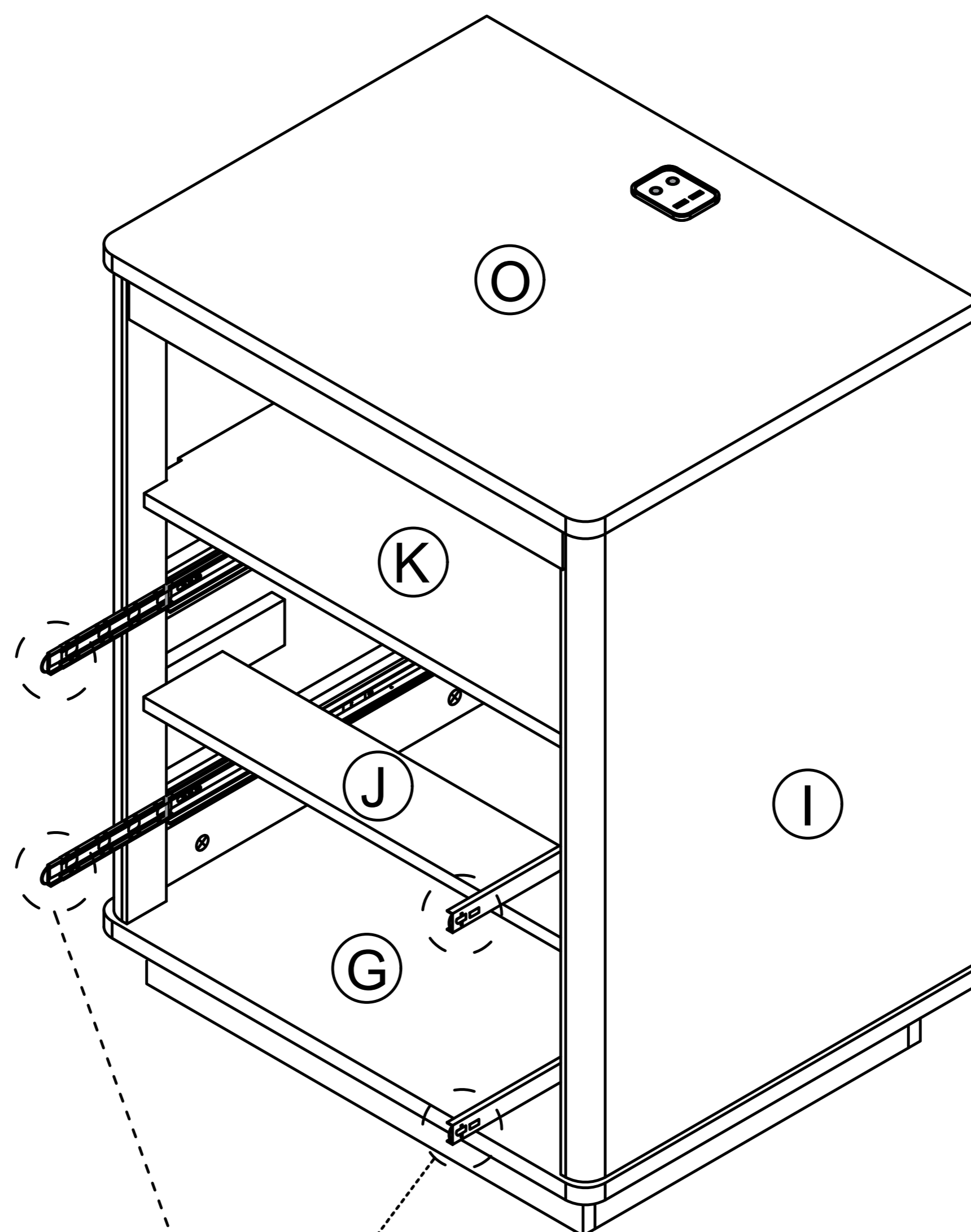


x4



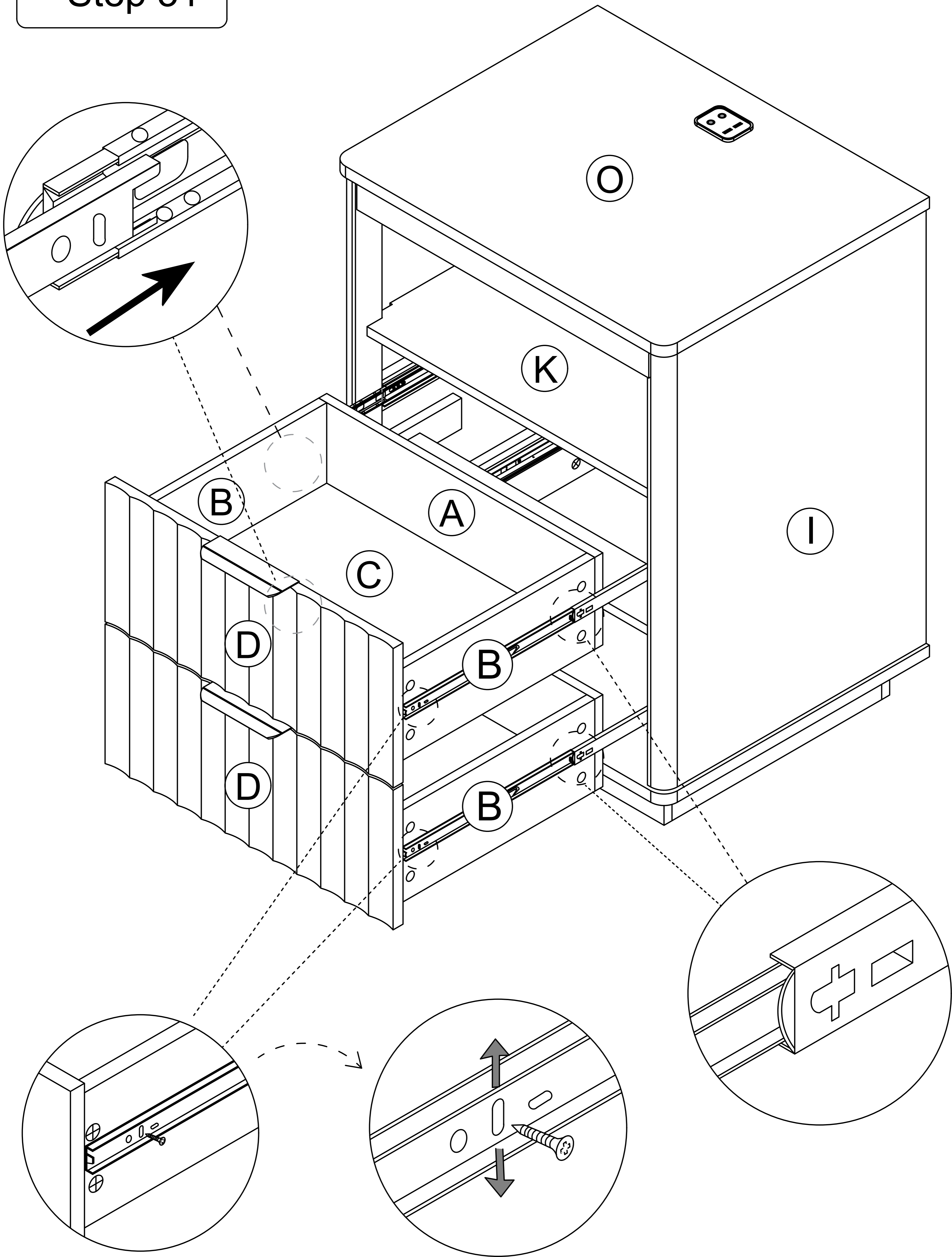
Thread the Lamp power cord through the hole on board No.M

Step 30



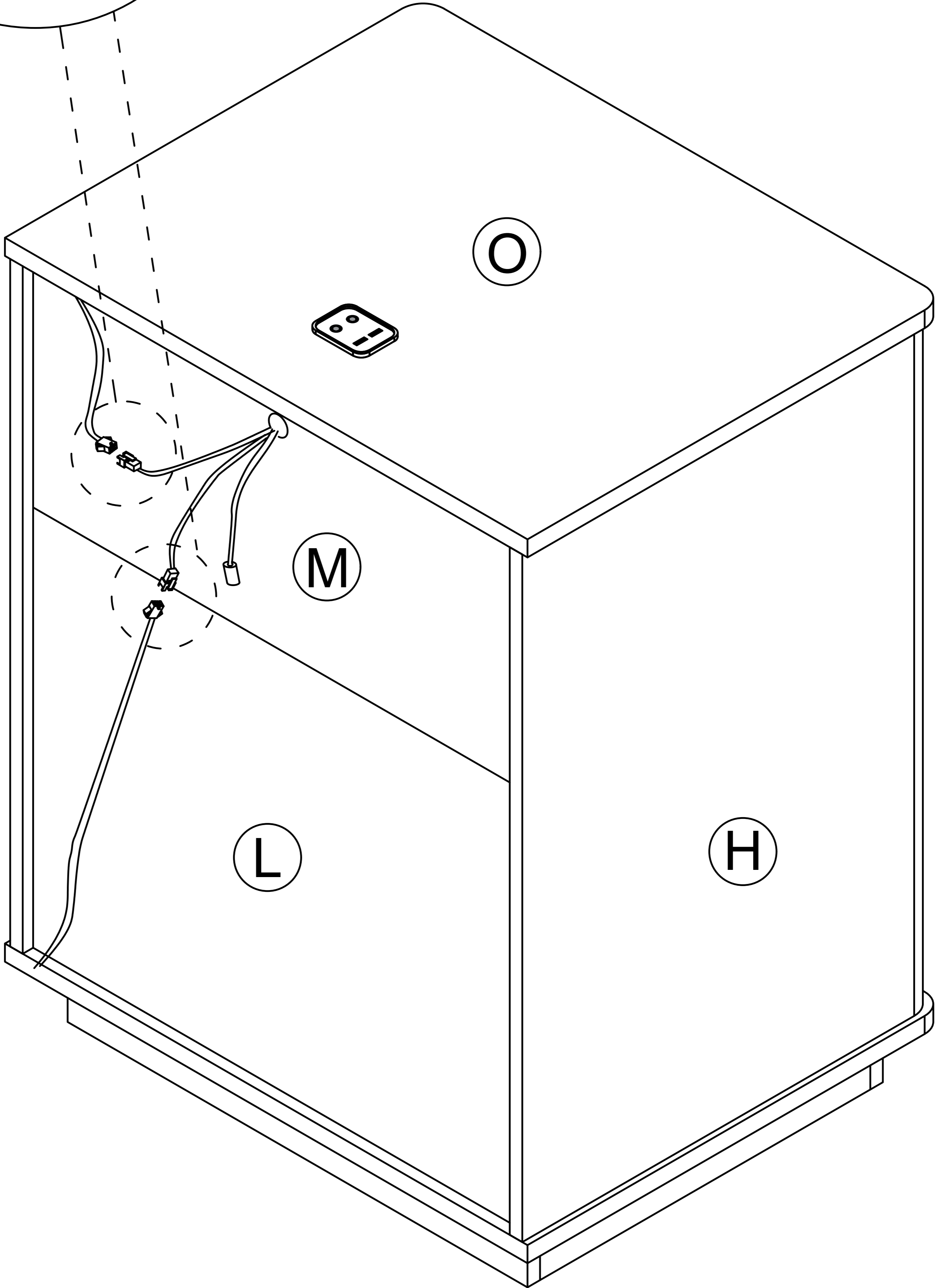
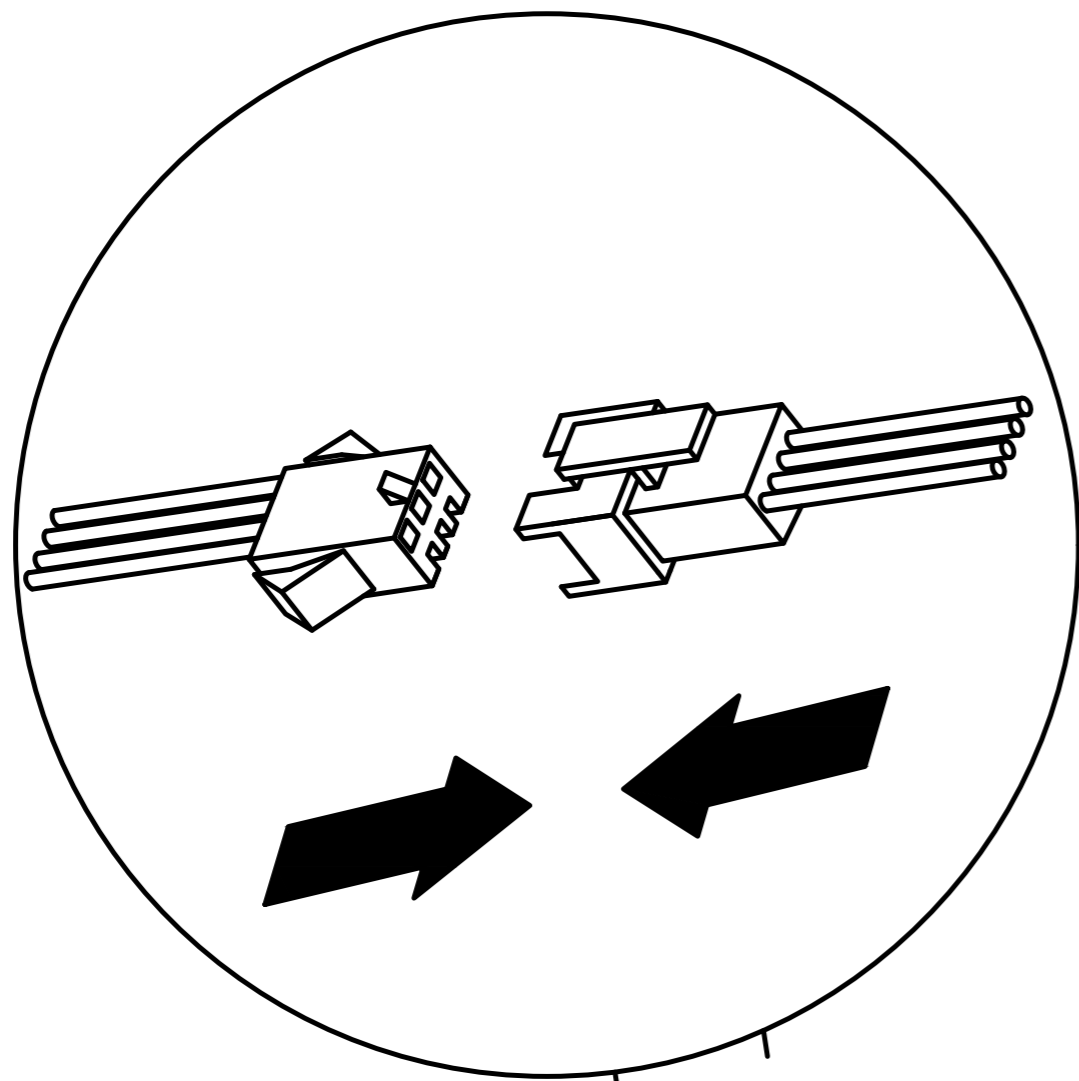
As shown, When installing the drawer, pull the guide rail out first, Slide beads are also pulled out.

Step 31

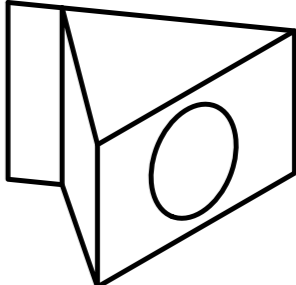
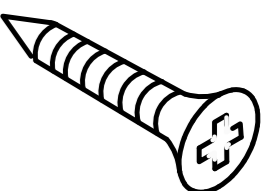


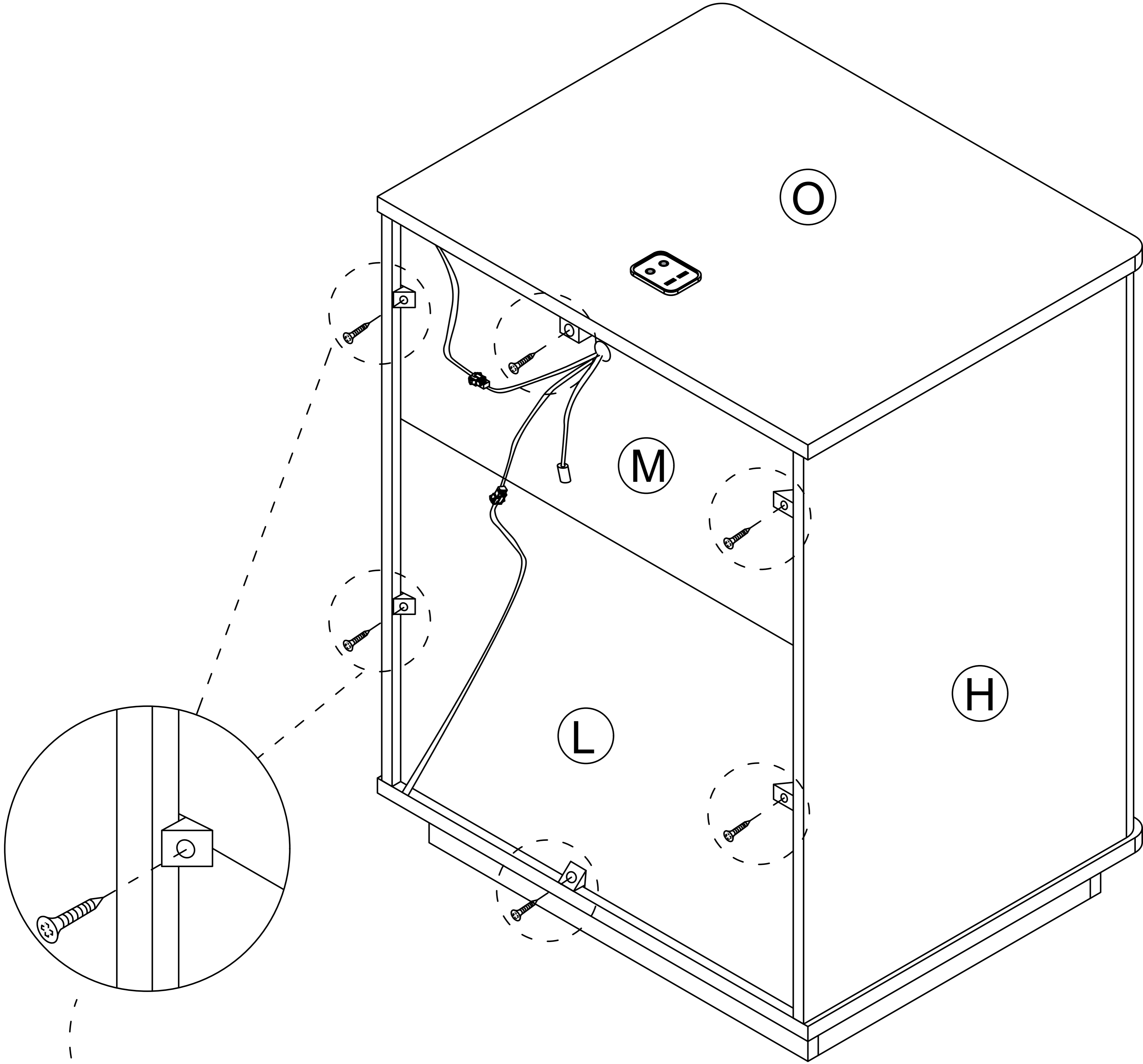
If a large gap is found after installing the drawer the slide rail can be moved up and down to adjust the gap

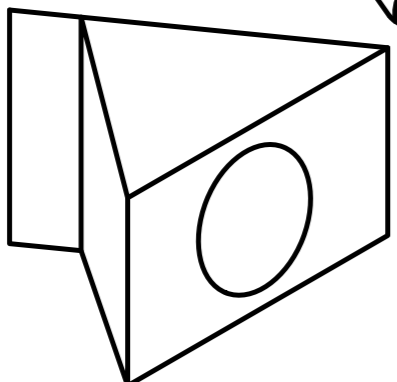
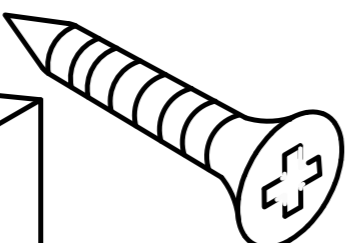
Step 32



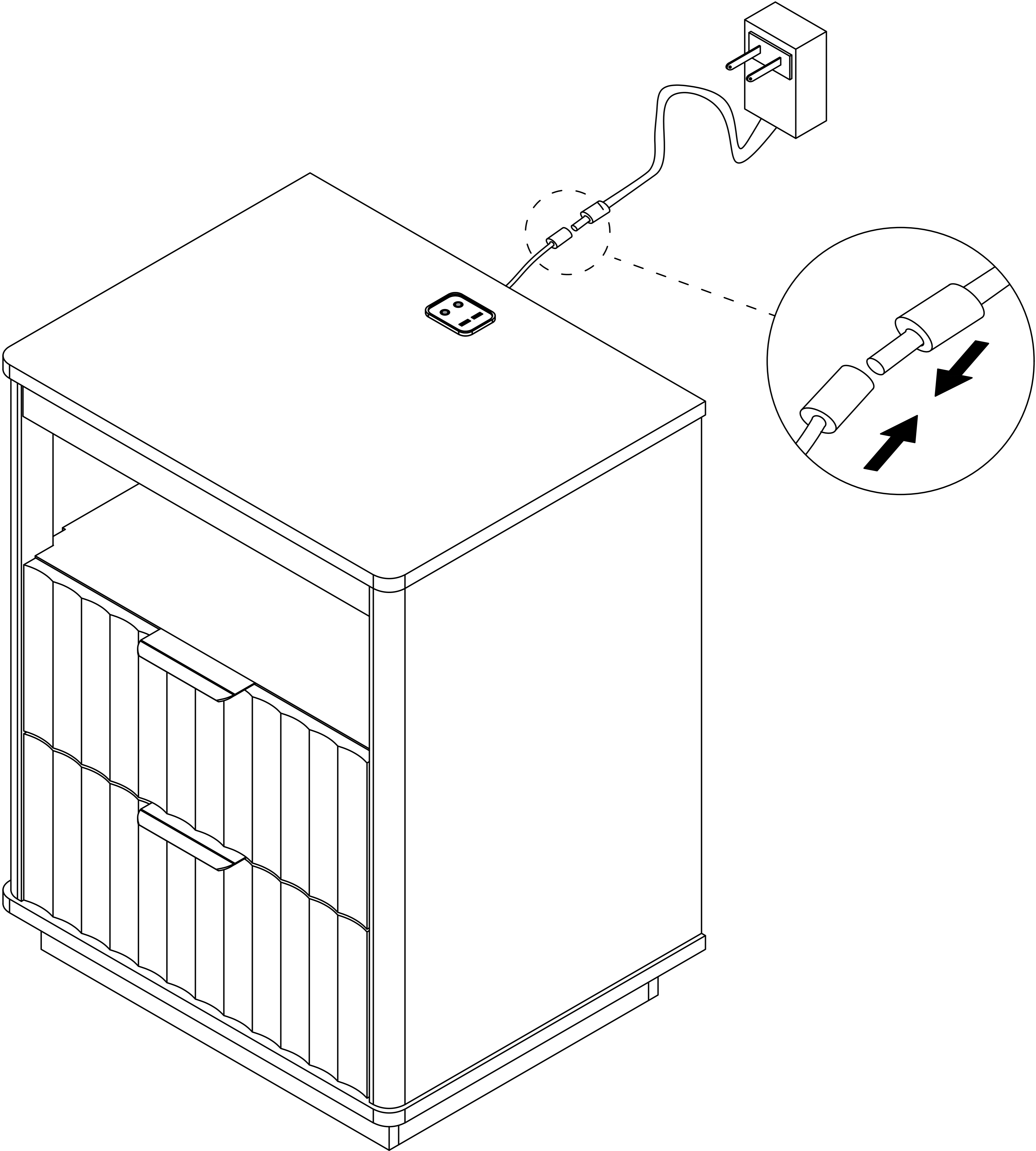
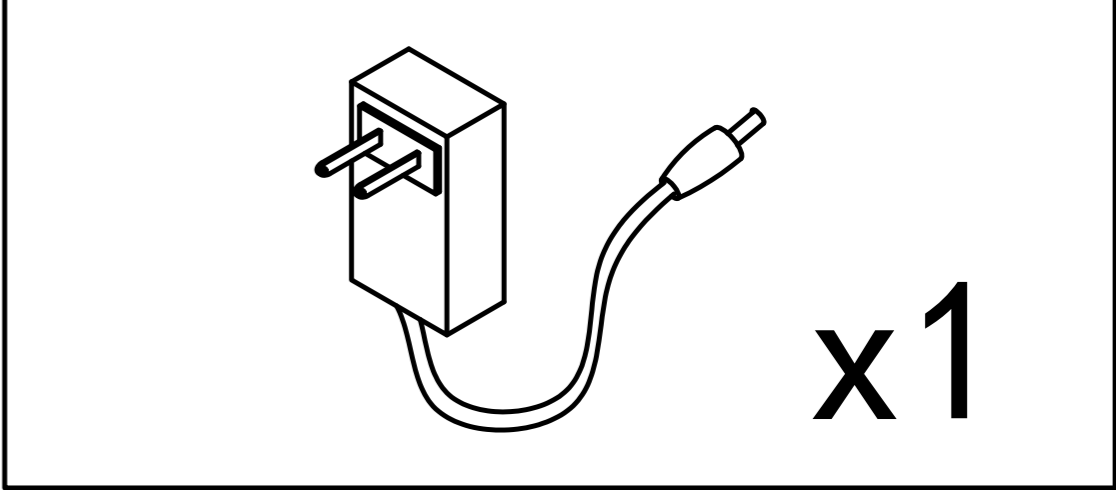
Step 33

7  
x6



 
x6 7

Step 34



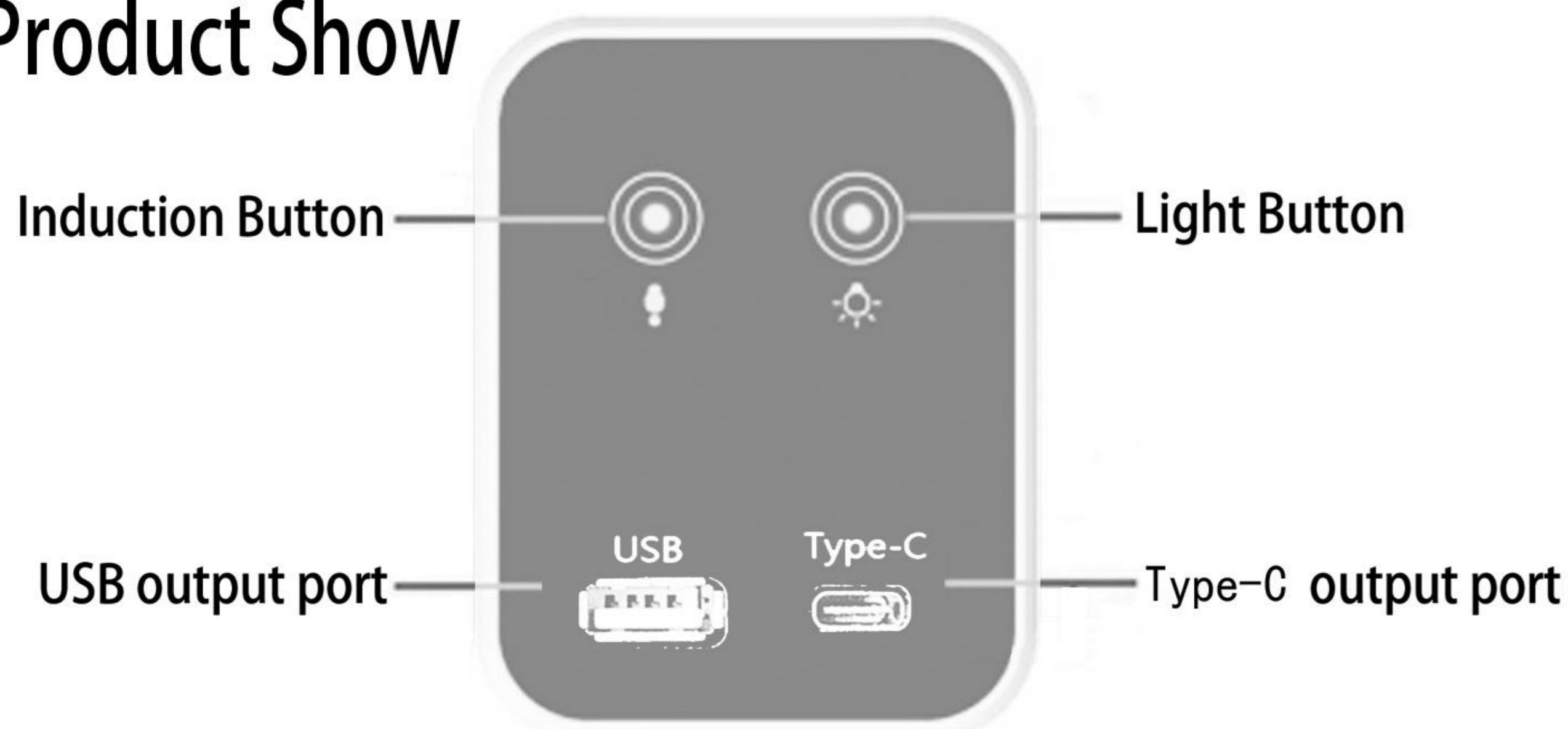
User's Guide

Thank you for purchasing this product. To use this product, please plug it into a 12V DC power supply. Please use if the product works normally after connecting to power.

Introduction

The box is an intelligent controller. It has 1 USB port and 1 type-C port and can distribute the current output up to 5V DC-2A. With 2 touch buttons, it can turn ON/OFF the light, change light colors, and adjust the light luminance.

Product Show



ATTENTION PLEASE

1. If there is no touch response suddenly, Re-plug the power to reset the touch static electricity.
2. If bubbles appear on the panel, remove the protective film.

Operation



This touch button is used to turn on/off, change colors, and adjust brightness.

A. Short touch -> lighting on -> short touch -> change light color -> short touch -> change light color -> short touch -> lighting off. B. Long touch -> adjust the luminance



This touch button is used to turn on/off the induction function.

A . Short touch to turn on the induction function. It can auto-turn on the light when people are close to the controller in 1 meters. It can auto power off the light when the body is far away from the controller after 30 seconds.

B . Long touch to turn off the induction function.

C . Note: When you touch the light button to change the light modes, the induction function will automatically turn off. It is best to turn on this function after selecting the light color and adjusting the brightness you want.