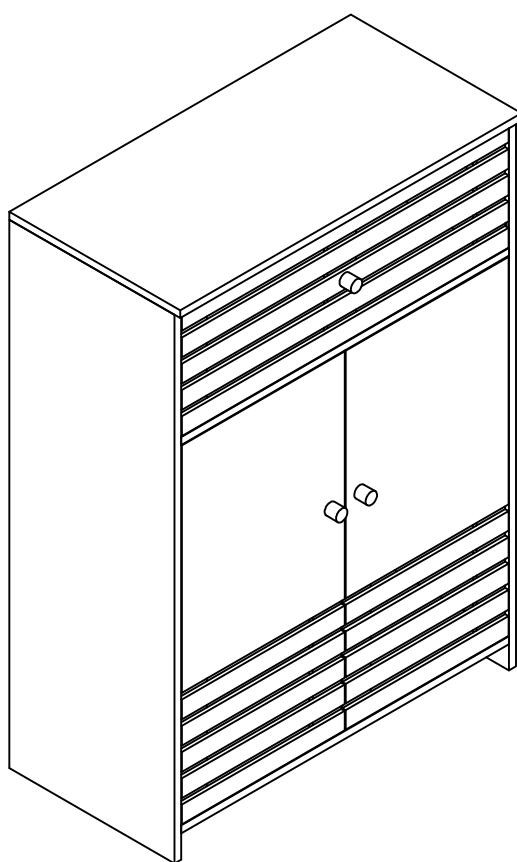
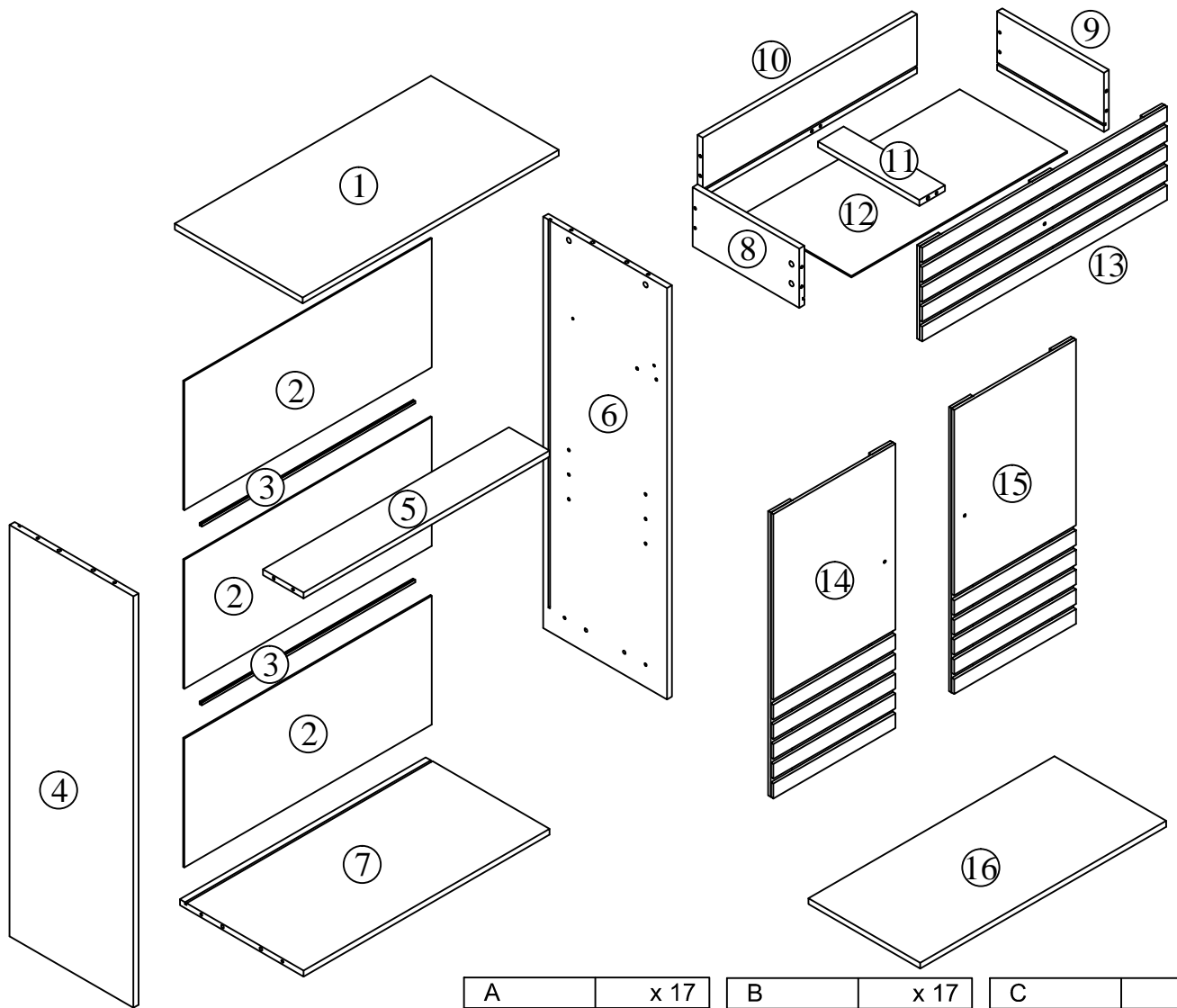
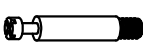
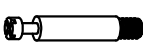


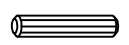
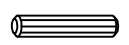
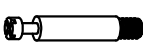

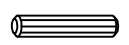




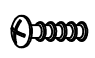
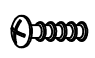


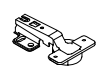
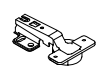


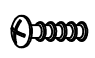

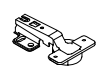








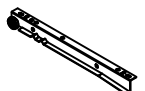
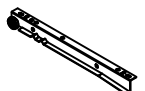




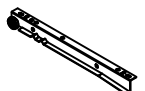
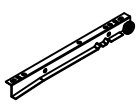
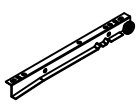
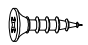
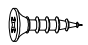


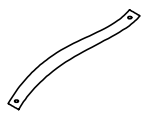
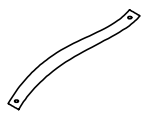


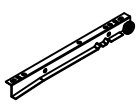
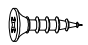

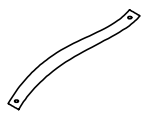



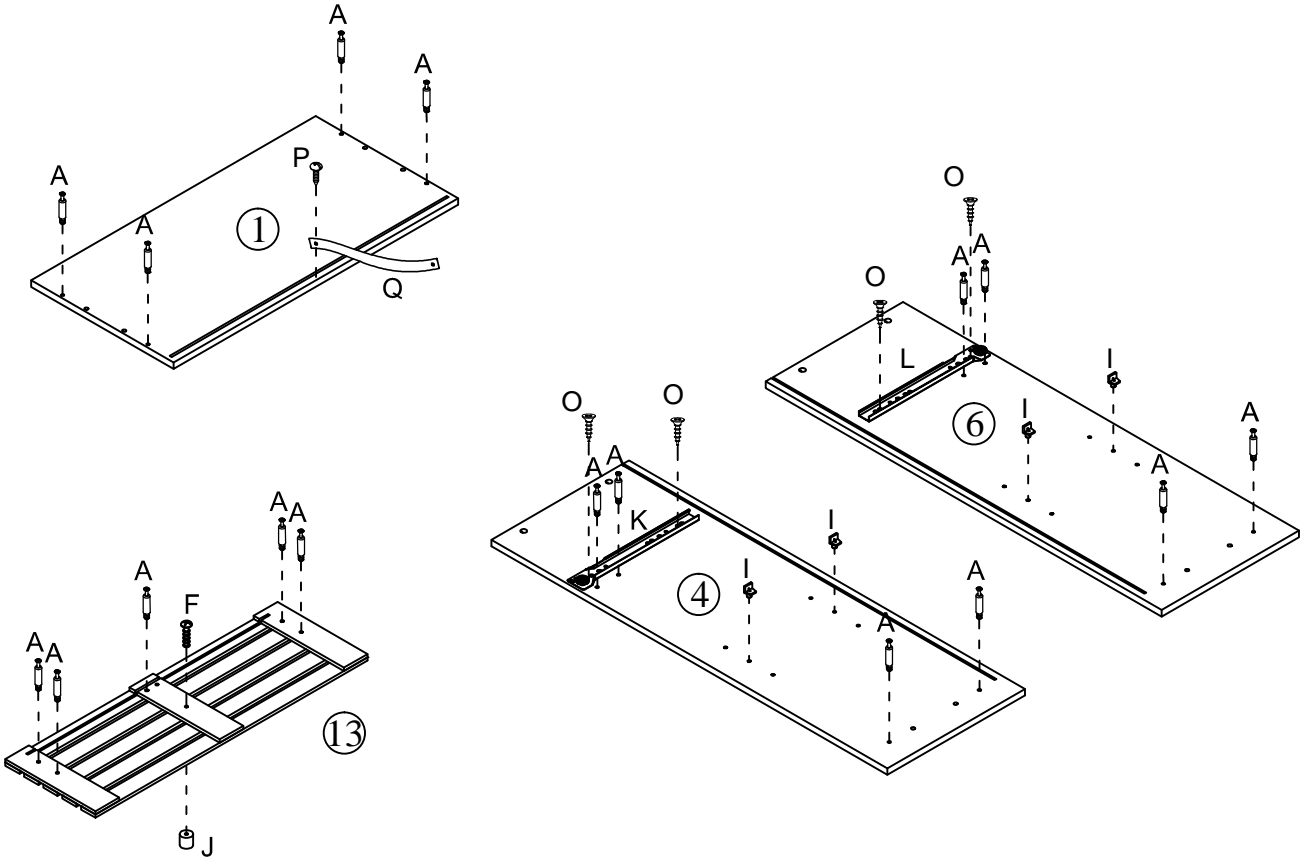
Assembly Instruction



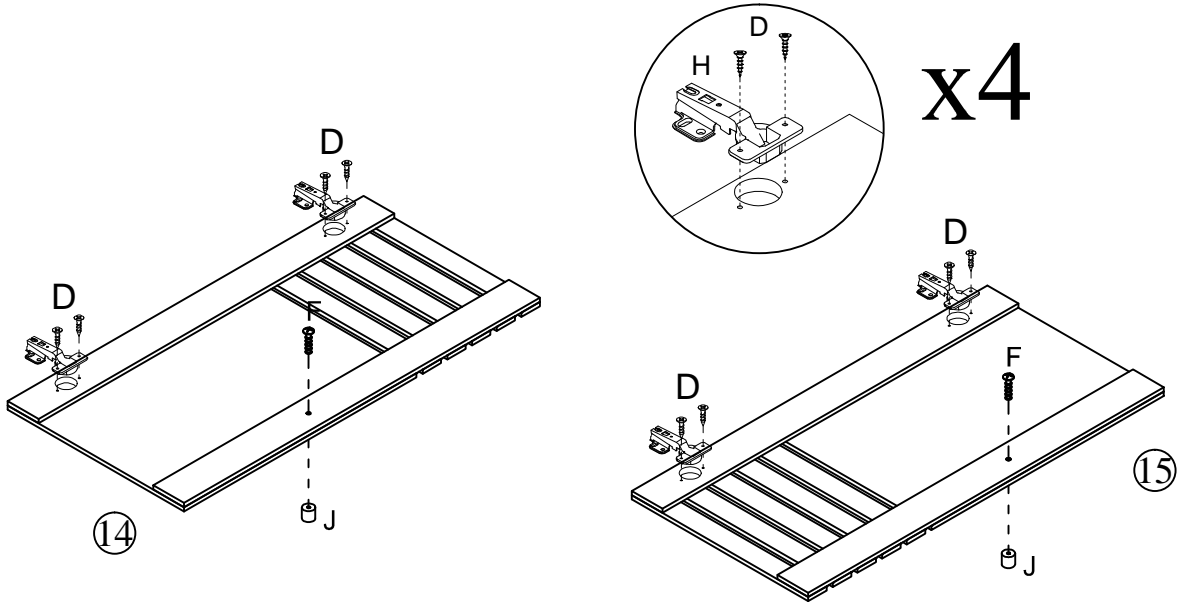


<table border="1"> <tr> <td>A</td> <td>x 17</td> </tr> <tr> <td colspan="2" style="text-align: center;"></td> </tr> </table>	A	x 17			<table border="1"> <tr> <td>B</td> <td>x 17</td> </tr> <tr> <td colspan="2" style="text-align: center;"></td> </tr> </table>	B	x 17			<table border="1"> <tr> <td>C</td> <td>x 9</td> </tr> <tr> <td colspan="2" style="text-align: center;"></td> </tr> <tr> <td colspan="2" style="text-align: center;">Φ6X30mm</td> </tr> </table>	C	x 9			Φ6X30mm															
A	x 17																													
																														
B	x 17																													
																														
C	x 9																													
																														
Φ6X30mm																														
<table border="1"> <tr> <td>D</td> <td>x 24</td> </tr> <tr> <td colspan="2" style="text-align: center;"></td> </tr> <tr> <td colspan="2" style="text-align: center;">Φ4X12mm</td> </tr> </table>	D	x 24			Φ4X12mm		<table border="1"> <tr> <td>E</td> <td>x 7</td> </tr> <tr> <td colspan="2" style="text-align: center;"></td> </tr> <tr> <td colspan="2" style="text-align: center;">Φ4X35mm</td> </tr> </table>	E	x 7			Φ4X35mm		<table border="1"> <tr> <td>F</td> <td>x 3</td> </tr> <tr> <td colspan="2" style="text-align: center;"></td> </tr> <tr> <td colspan="2" style="text-align: center;">Φ4X22mm</td> </tr> </table>	F	x 3			Φ4X22mm		<table border="1"> <tr> <td>G</td> <td>x 2</td> </tr> <tr> <td colspan="2" style="text-align: center;"></td> </tr> </table>	G	x 2			<table border="1"> <tr> <td>H</td> <td>x 4</td> </tr> <tr> <td colspan="2" style="text-align: center;"></td> </tr> </table>	H	x 4		
D	x 24																													
																														
Φ4X12mm																														
E	x 7																													
																														
Φ4X35mm																														
F	x 3																													
																														
Φ4X22mm																														
G	x 2																													
																														
H	x 4																													
																														
<table border="1"> <tr> <td>I</td> <td>x 4</td> </tr> <tr> <td colspan="2" style="text-align: center;"></td> </tr> </table>	I	x 4			<table border="1"> <tr> <td>J</td> <td>x 3</td> </tr> <tr> <td colspan="2" style="text-align: center;"></td> </tr> </table>	J	x 3			<table border="1"> <tr> <td>K</td> <td>x 1</td> </tr> <tr> <td colspan="2" style="text-align: center;"></td> </tr> </table>	K	x 1			<table border="1"> <tr> <td>L</td> <td>x 1</td> </tr> <tr> <td colspan="2" style="text-align: center;"></td> </tr> </table>	L	x 1			<table border="1"> <tr> <td>M</td> <td>x 1</td> </tr> <tr> <td colspan="2" style="text-align: center;"></td> </tr> </table>	M	x 1								
I	x 4																													
																														
J	x 3																													
																														
K	x 1																													
																														
L	x 1																													
																														
M	x 1																													
																														
<table border="1"> <tr> <td>N</td> <td>x 1</td> </tr> <tr> <td colspan="2" style="text-align: center;"></td> </tr> </table>	N	x 1			<table border="1"> <tr> <td>O</td> <td>x 8</td> </tr> <tr> <td colspan="2" style="text-align: center;"></td> </tr> <tr> <td colspan="2" style="text-align: center;">Φ3X12mm</td> </tr> </table>	O	x 8			Φ3X12mm		<table border="1"> <tr> <td>P</td> <td>x 1</td> </tr> <tr> <td colspan="2" style="text-align: center;"></td> </tr> <tr> <td colspan="2" style="text-align: center;">Φ4X12mm</td> </tr> </table>	P	x 1			Φ4X12mm		<table border="1"> <tr> <td>Q</td> <td>x 1</td> </tr> <tr> <td colspan="2" style="text-align: center;"></td> </tr> </table>	Q	x 1			<table border="1"> <tr> <td>R</td> <td>x 1</td> </tr> <tr> <td colspan="2" style="text-align: center;"></td> </tr> </table>	R	x 1				
N	x 1																													
																														
O	x 8																													
																														
Φ3X12mm																														
P	x 1																													
																														
Φ4X12mm																														
Q	x 1																													
																														
R	x 1																													
																														

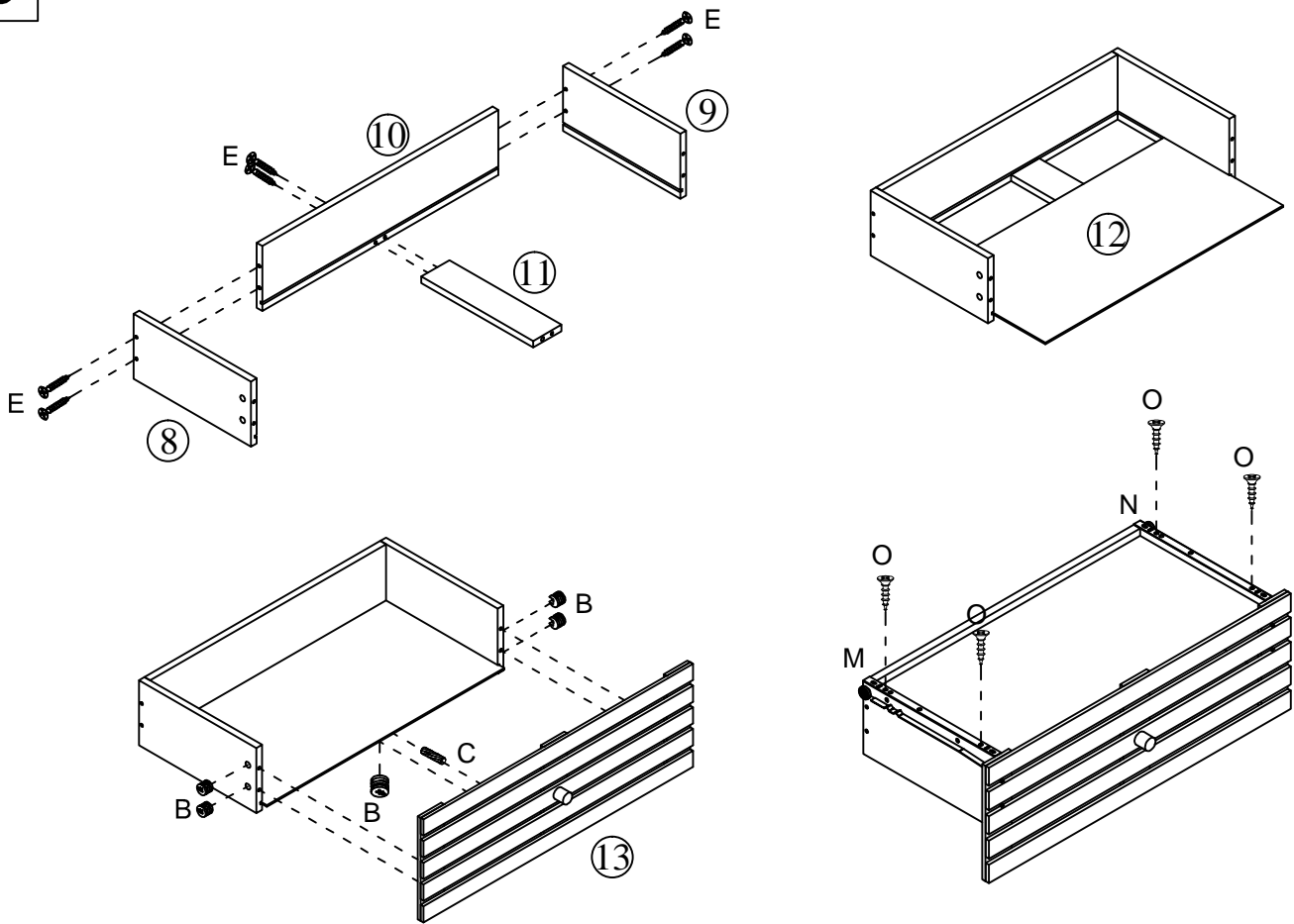
1



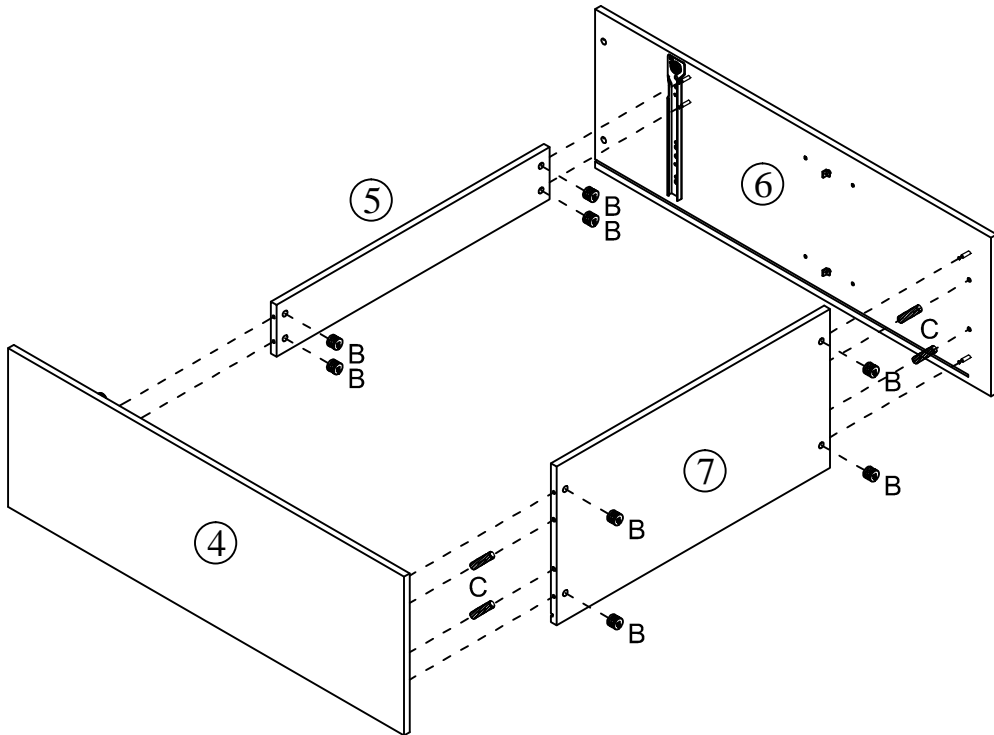
2



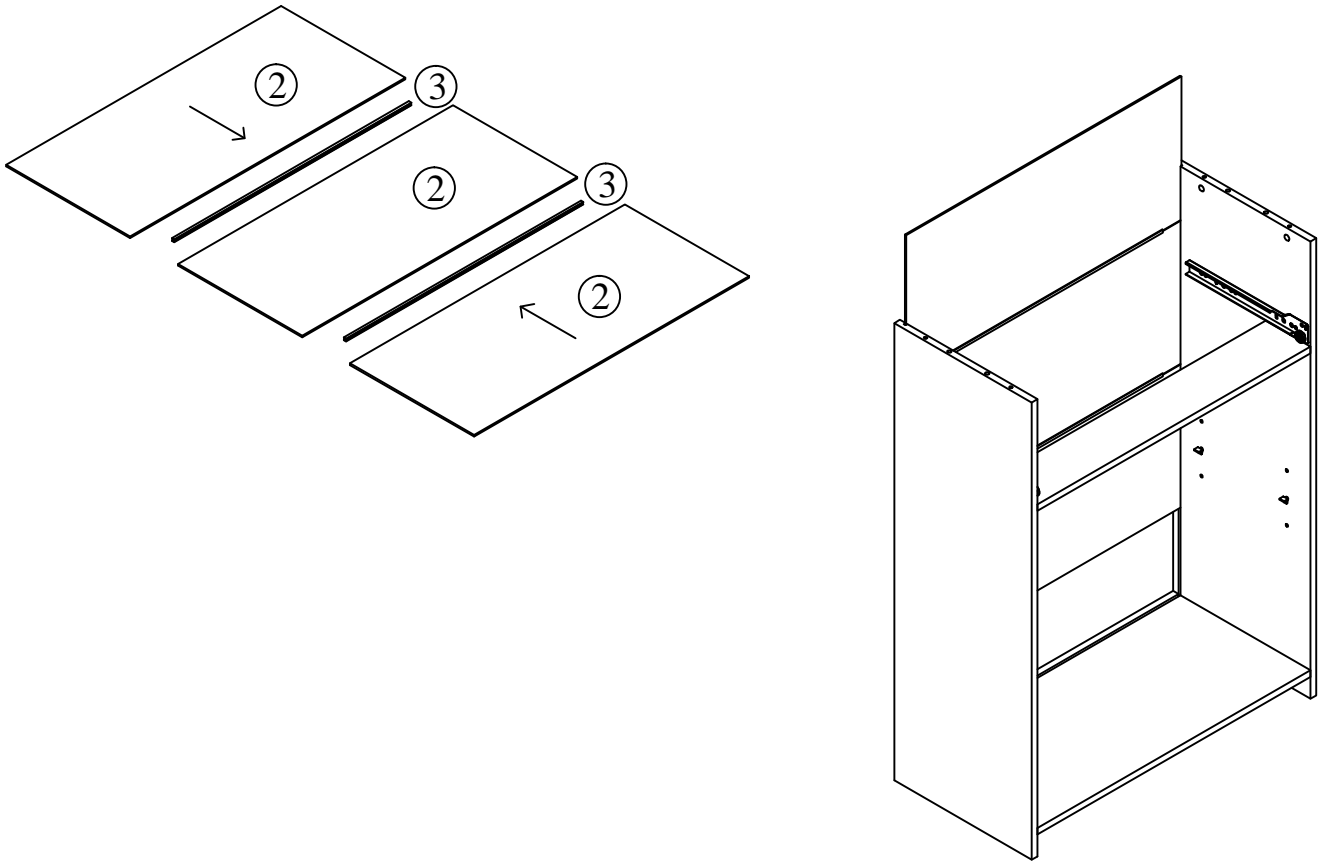
3



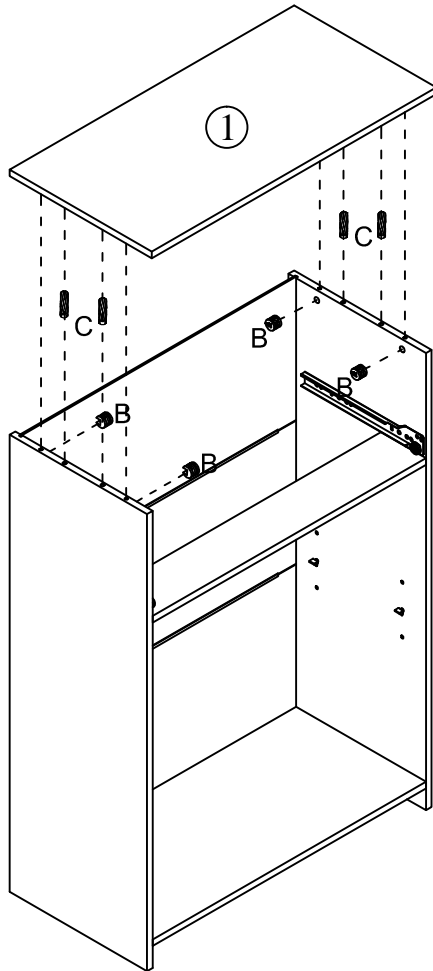
4



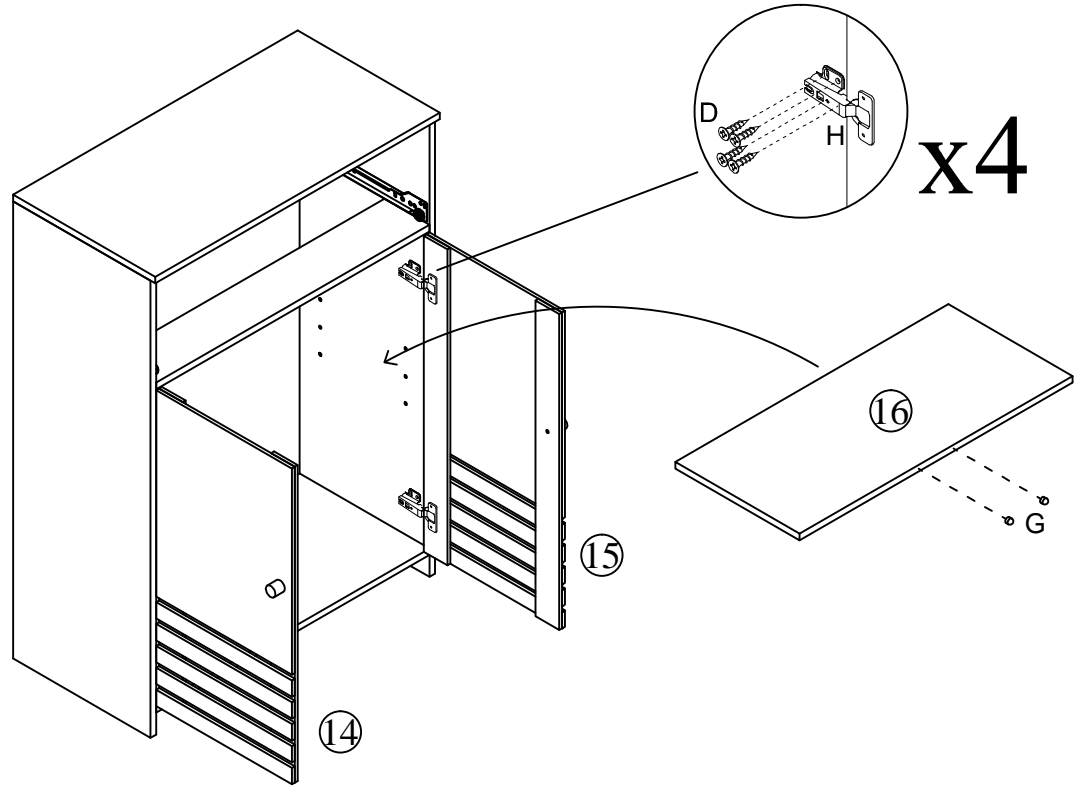
5



6



7



8

