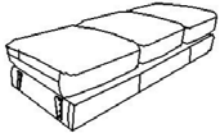


ASSEMBLY INSTRUCTION

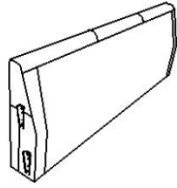
LEATHER MATCH LEATHER GEL SOFA

A SEAT



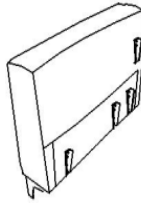
1PC

B BACK



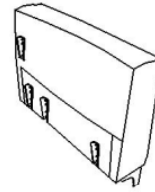
1PC

C LEFT SIDE ARM



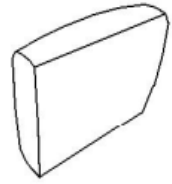
1PC

D RIGHT SIDE ARM



1PC

E 3 BACK CUSHIONS



3PCS

F CENTER FEET



1PC

G BOLT



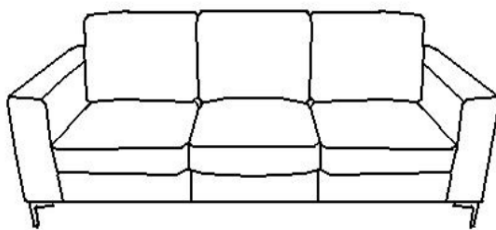
8X40MM

2PCS

H ALLEN KEY

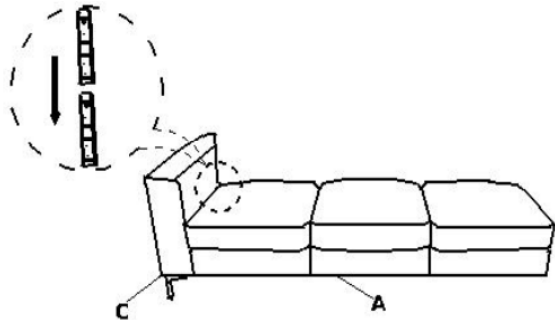


1PC

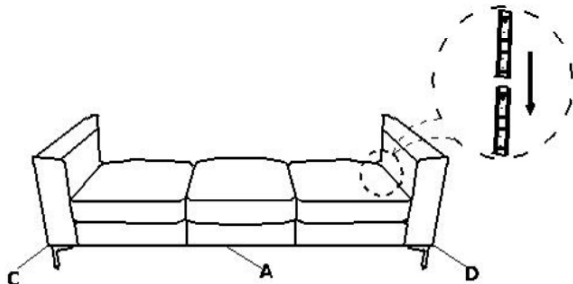


This page lists all the contents included in the box. Please take the time to identify the hardware as well as the individual components to this product. As you unpack and prepare for assembly, place the contents on a carpeted or padded area to protect them from damage.

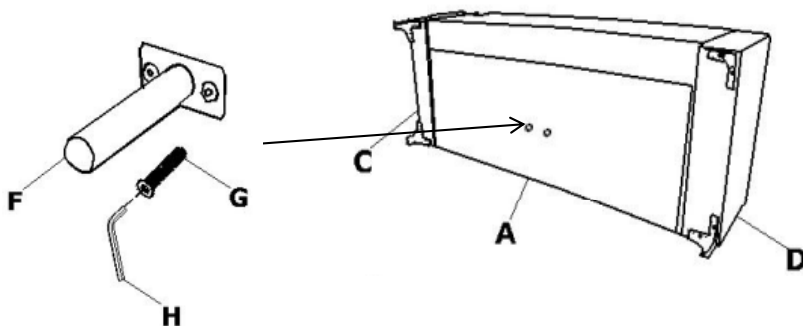
1 SLIDE THE LEFT SIDE ARM (C) INTO LEFT SIDE BRACKETS ON SEAT(A).



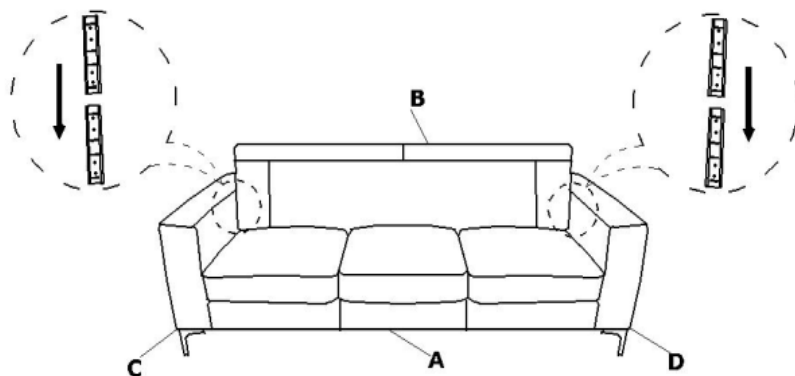
2 SLIDE THE RIGHT SIDE ARM (D) INTO RIGHT SIDE BRACKETS ON SEAT(A).



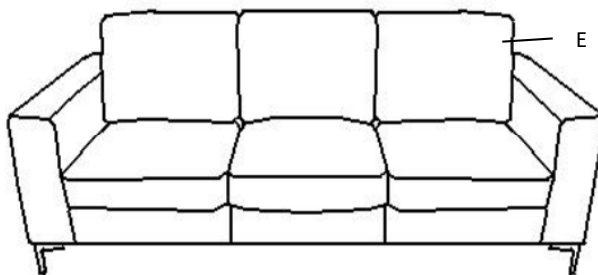
3 SCREW THE CENTER FEET (F) AT BOTTOM OF SOFA BY BOLT (G) AND ALLEN KEY (H) PROVIDED.



4 SLIDE BACK (B) INTO BRACKETS ON INSIDE BRACKETS ON LEFT SIDE ARM(C) AND RIGHT SIDE /



5 TIDY UP BACK CUSHION TO ALIGNED IF NEEDED, ASSEMBLY FINISHED.



Cleaning & Care

Treat surface with care.

Avoid exposure to direct sunlight.

Changes in temperature and humidity may sometimes result in the surface coating of PU, PVC or bonded prematurely aging and peeling.

Please clean surface of these materials by using a damp cloth followed by drying with a soft cloth. Do NOT use proprietary chemical cleaning materials. Many of these contain acid, DMF, butanone or any related materials which will damage the surface.