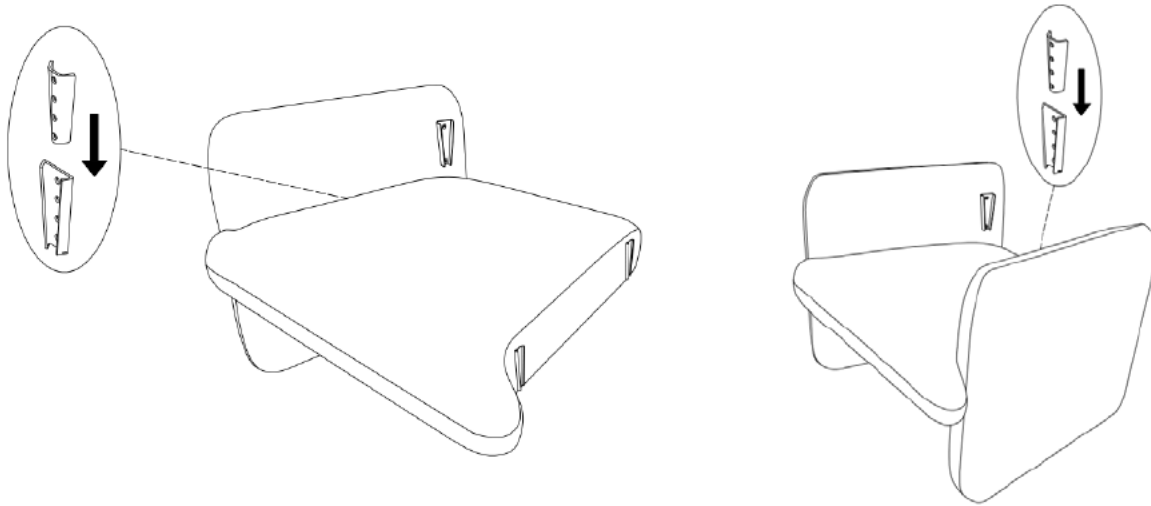




Step 1 : Assemble the Arm & seat cushion



Step 2 : Assemble the back

