



Best Master Furniture™
The Imported Furniture Specialist

ASSEMBLY INSTRUCTIONS

MODEL # _____

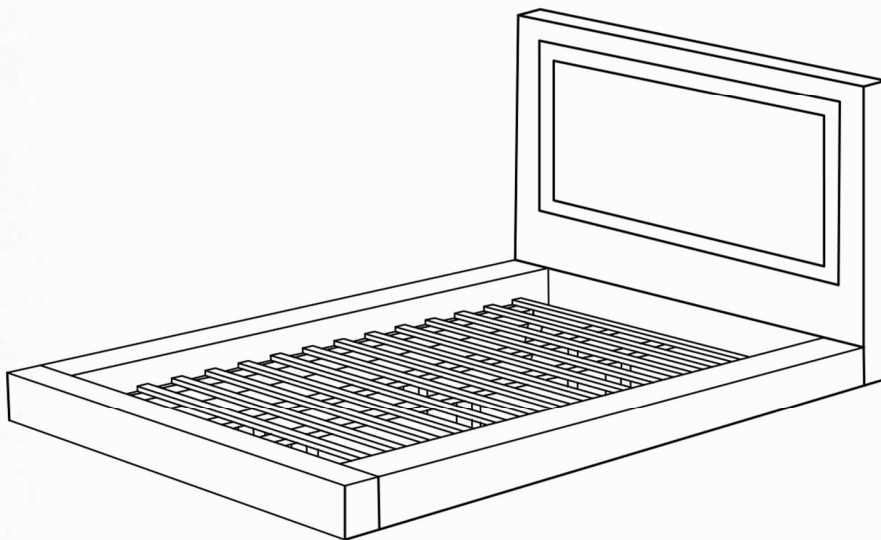
DENVER

EK BED

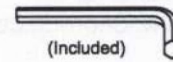
Hours of Operation

MON-FRI 8:00AM - 4:00PM (PT)

TOOLS REQUIRED



Screwdriver
(Not Included)



(Included)
Allen Wrench



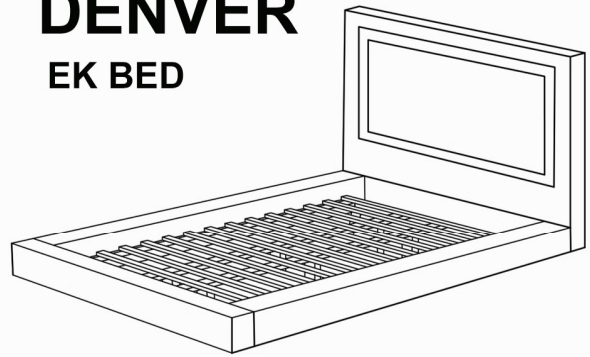
2 - People

Enjoying this product? We'd love your 5-star review!

If you have any issues, our support team is happy to help.



DENVER EK BED



Thank you for your purchase!

CONTACT US:



Monday - Friday
8:00AM - 4:00PM PT



Email
inquiries@bestmasterfurnitures.com



Website
www.bestmasterfurnitures.com



CHECK BEFORE STARTING

Are you missing anything?

Please double check all hardware and parts match the assembly guide before putting the product together. If damaged, we suggest you put the item back in the box and start your claim or return

Should we send any replacements?

If there are any manufacturer defects or missing pieces please contact us for replacements. If purchased online, please contact the website of where you purchased it from, DIRECTLY

IMPORTANT INFO before assembly:

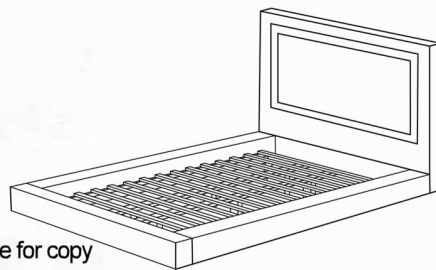
- **If there's a problem with the parts do not attempt to assemble the product**
- Place all parts on a clean and smooth surface such as a rug/carpet to avoid parts from being scratched
- When tightening screws to product do not overtighten until product is fully setup
- If product is too heavy for a single person to carry do not attempt and ask for assistance
- DO NOT DRAG or PUSH item to desired location. Must be carried when moving
- If item is not working as intended please review the assembly guide to see if any steps were missed or incorrectly built. If there's a problem with part please contact seller for additional assistance
- Please keep all hardware and small parts away from pets/infants
- Please wear gloves or protective gear to protect from getting cuts
- It is normal for new furnitruue to have an off gassing smell. Please air out furniture near a window for a few hours or a day before placing it in its desired location
- All products may have a slight color and texture variation due to different shipments, natural materials, screen-resolutions, or lighting in home. Images are rendered by different devices or websites




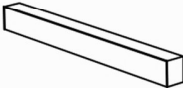




EK BED

DENVER



- Please keep instructions for future reference
- Check the quantity and irregularity of parts and hardware before you start
- If assembly guide is misplaced, please visit our website for copy



Part List

No.	Description		Qty.
A	Headboard		1 Pc
B	Footboard		1 Pc
C	Side Rail		2 Pcs
D	Slats		14 Pcs
E	Support Leg		6 Pcs
F	Center Wood Support		2 Pcs

Hardware List

No.	Description		Size	Qty.
1	Bolt + (Lock washer & Flat washer)		M8 x 25mm	8 Pcs
2	Screw		M4 x 32mm	16 Pcs

If any parts/hardware listed are damaged or missing
Please contact the seller for additional assistance

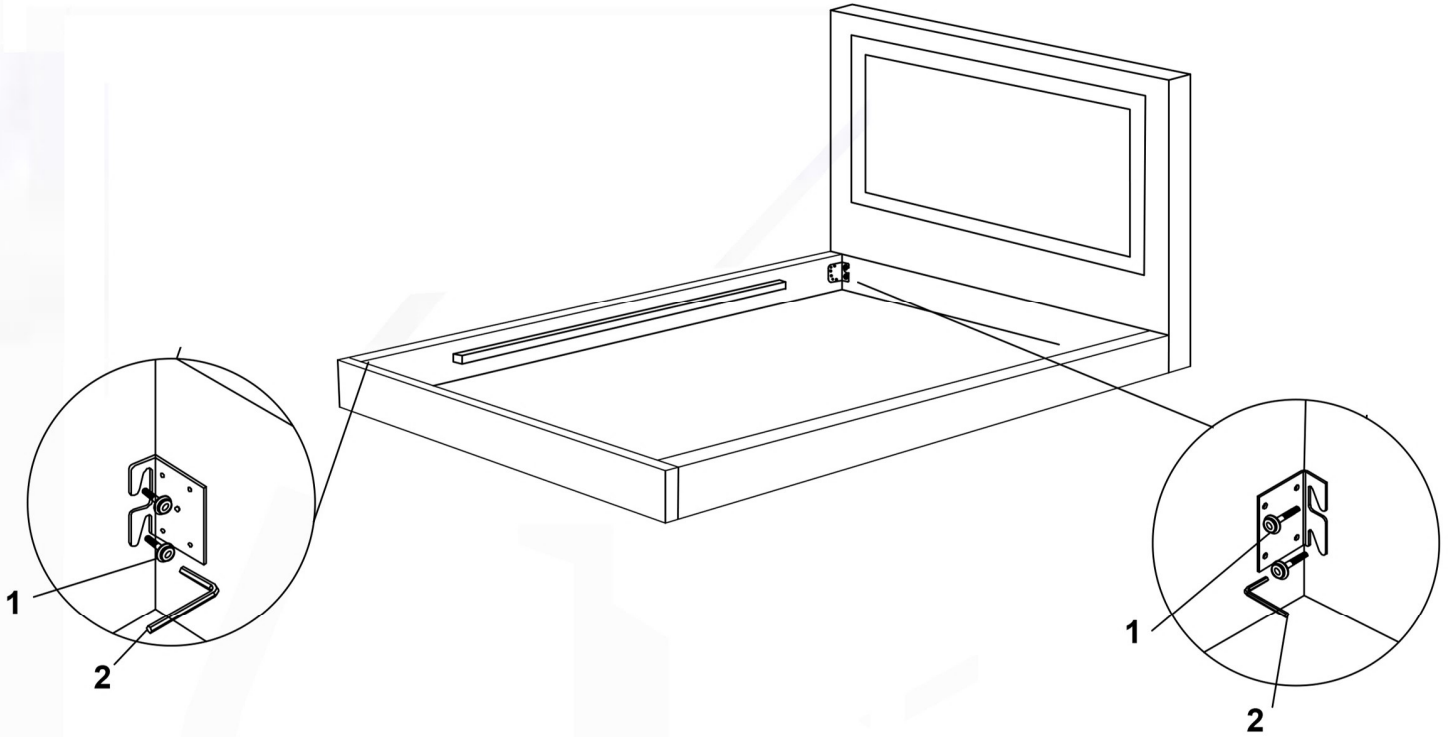


DENVER

EK BED

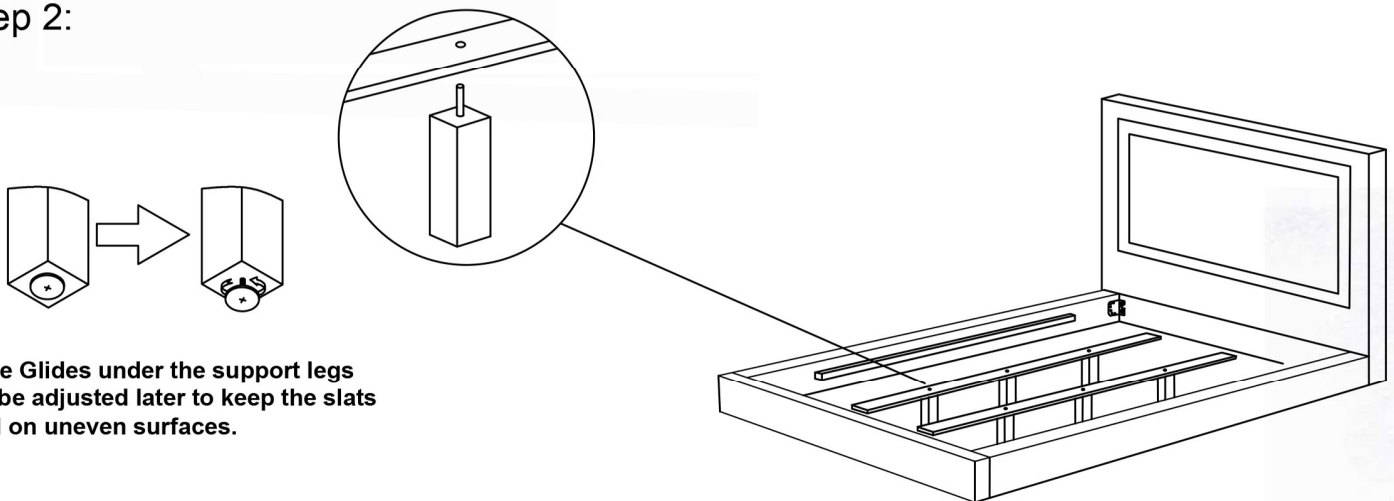
ASSEMBLY INSTRUCTIONS

Step 1:



A. Assemble side rails (C) to headboard (A) and footboard (B) by using bolts (1) and Allen key (2)

Step 2:



The Glides under the support legs can be adjusted later to keep the slats level on uneven surfaces.

A. Assemble support legs (E) to center wood support (F).

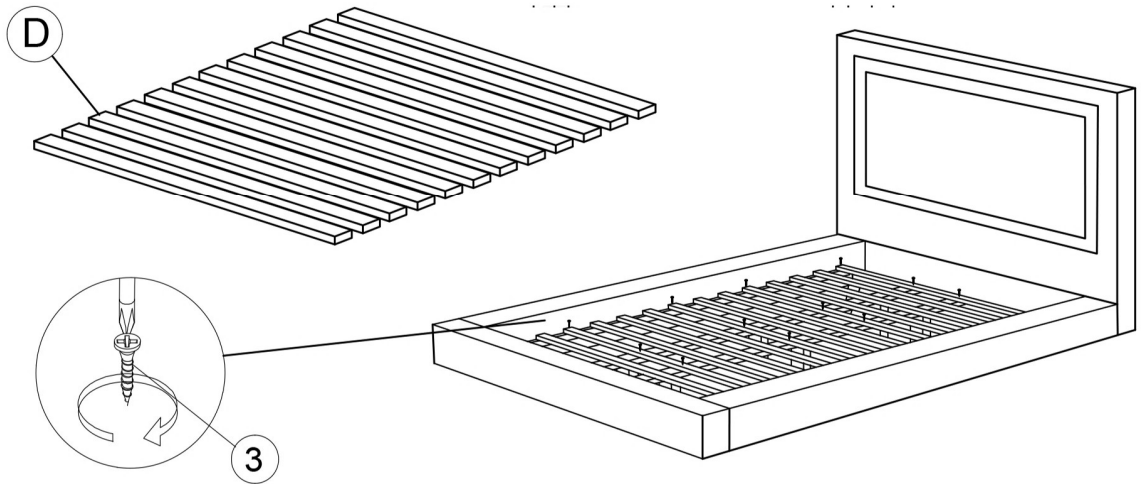
This product is intended for RESIDENTIAL USE ONLY and not for commercial use.

DENVER

EK BED

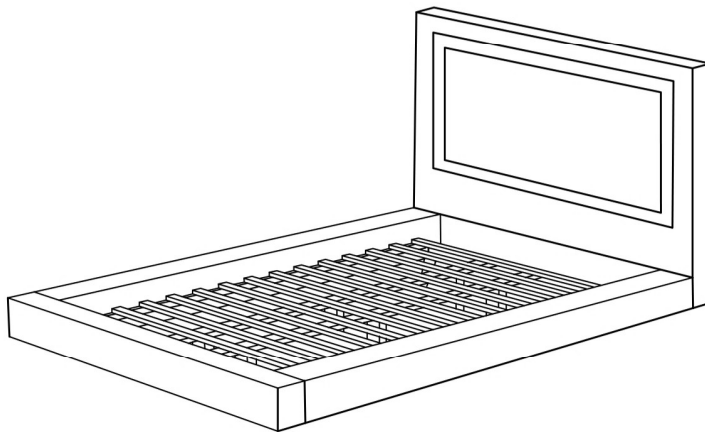
ASSEMBLY INSTRUCTIONS

Step 3:



- A. Put the slats (D) on top of the center wood support (F).
- B. Secure the slats (D) with screw (3) by using Philips head screwdriver(4) (not provided).

COMPLETED:



- A. Assemble support legs (E) to center wood support (F).

ASSEMBLY COMPLETED

Please ensure the furniture rests on an even and flat surface. If the product wobbles or feels loose, double-check all bolts and/or screws are properly tightened and secured.

- ✓ **Keep this handy!**
Please retain this instruction manual and any order-related information for future reference.
- ✓ **Lift, don't drag!**
To avoid damage to product please always LIFT the product when transporting or adjusting the placement.

This product is intended for **RESIDENTIAL USE ONLY** and not for commercial use.