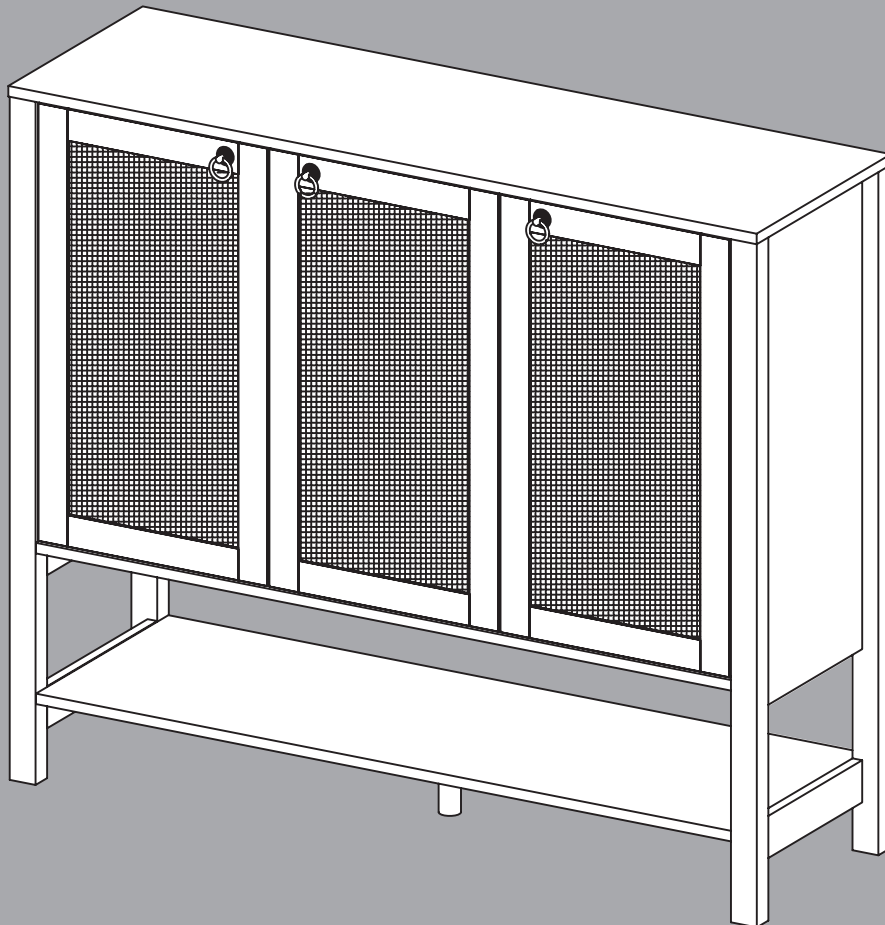


SICOTAS

SR117A1HBKY1616 | SR117A1ELTY1617 | SR117A1XWTY1648



Terra Collection

Assembly Instructions

Before beginning the assembly process, please read and save these instructions for reference. Following these guidelines will ensure a smooth and successful assembly of your product.

1. Part Identification:

Carefully separate and identify all the parts included in your package. Confirm that you have all the components listed in the instruction manual. This step will help you avoid any missing or misplaced parts during assembly.

2. Work Surface:

To prevent any scratches or damage to the product, assemble it on a soft mat or a similar protective surface. This will provide a cushioned area for the components and protect the surfaces from unwanted marks.

3. Step-by-Step Assembly:

Follow the assembly instructions provided, proceeding one step at a time. Take care to understand each step properly before proceeding to the next one. This sequential approach ensures that the assembly is done correctly and minimizes the chance of errors.

4. Proper Screw Seating:

When attaching screws and nuts, it is essential not to fully tighten them until all screws are correctly seated. By partially tightening each screw and nut initially, you can ensure that they are aligned properly and fit securely before final tightening.

5. Avoid Over-Tightening:

While each screw and nut should be tightened correctly, it is crucial not to over-tighten them. Over-tightening can cause damage to the product or compromise its structural integrity. Use the appropriate amount of force to secure the components without excessive tightening.

SICOTAS customer help center:

If you encounter any questions or problems during the assembly process, please do not hesitate to contact us.

We strive to provide excellent customer support and will respond to your inquiries within 24 hours. Our team will offer you a suitable solution to address any concerns you may have.



Email:
service@sicotas.com



Website:
www.sicotas.com



Phone:
(833) 742-6827



Official Website:



WhatsApp:



YouTube:



Instagram:

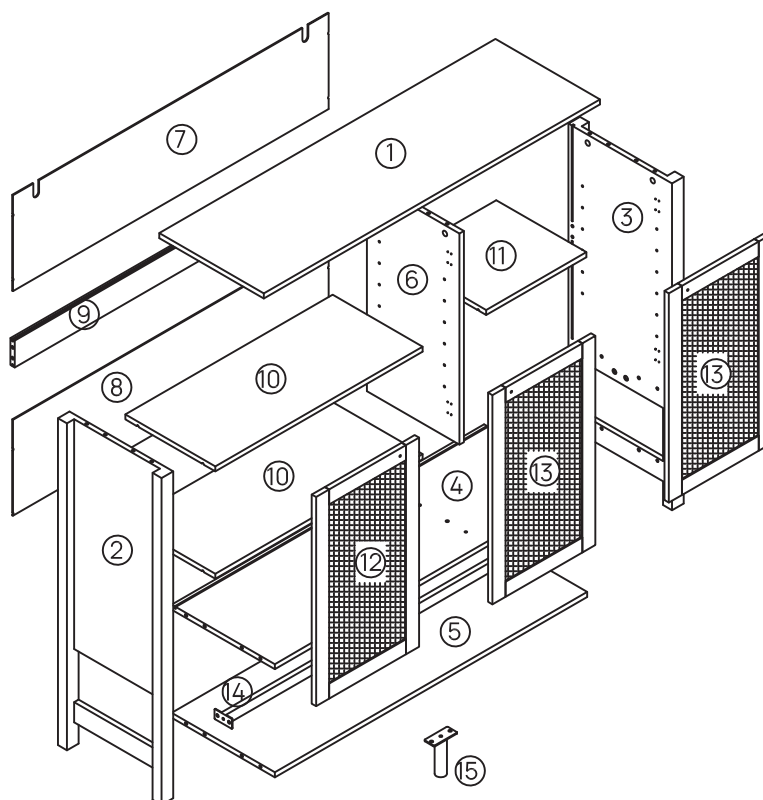


Facebook:

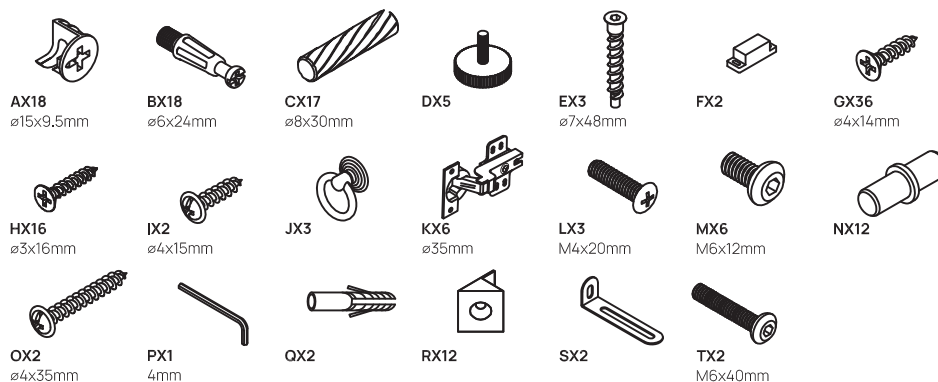


TikTok:

Parts List



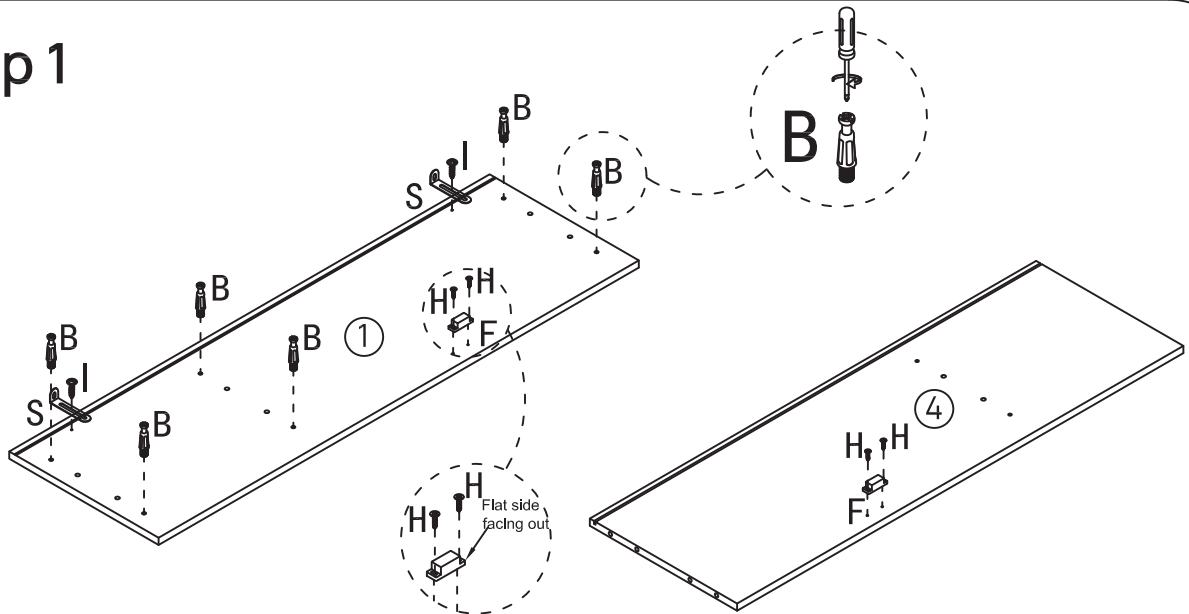
Hardware List


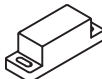





Code	Description	Quantity
A	$\varnothing 15 \times 9.5 \text{mm}$ Cam lock	18+2
B	$\varnothing 6 \times 24 \text{mm}$ Cam bolt	18+2
C	$\varnothing 8 \times 30 \text{mm}$ Wood dowel	17+2
D	Foot pad	5+1
E	$\varnothing 7 \times 48 \text{mm}$ Screw	3+1
F	Stop block	2
G	$\varnothing 4 \times 14 \text{mm}$ Screw	36+2
H	$\varnothing 3 \times 16 \text{mm}$ Screw	16+2
I	$\varnothing 4 \times 15 \text{mm}$ Screw	2
J	Handle	3

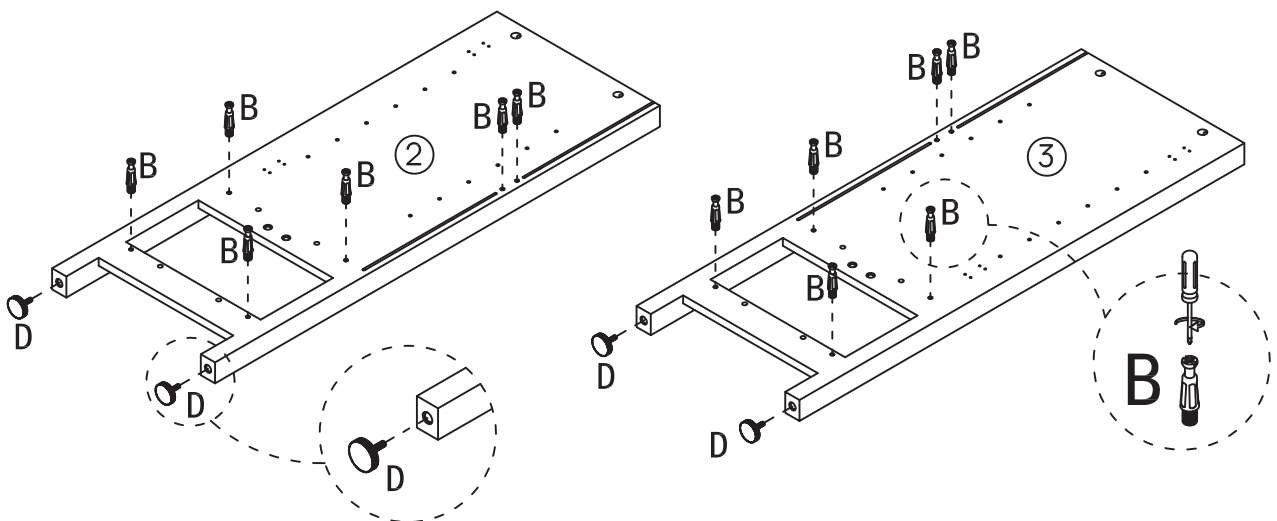
Code	Description	Quantity
K	Hinges	6
L	M4x20mm Bolt	3+2
M	M6x12mm Bolt	6+2
N	Shelf support	12+2
O	$\varnothing 4 \times 35 \text{mm}$ Screw	2
P	Hex key 4mm	1
Q	Wall anchor	2
R	Backboard clip	12+2
S	Wall bracket	2
T	M6x40mm Bolt	2+1

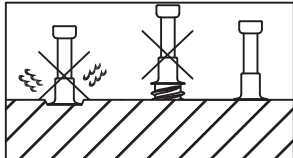


Step 1



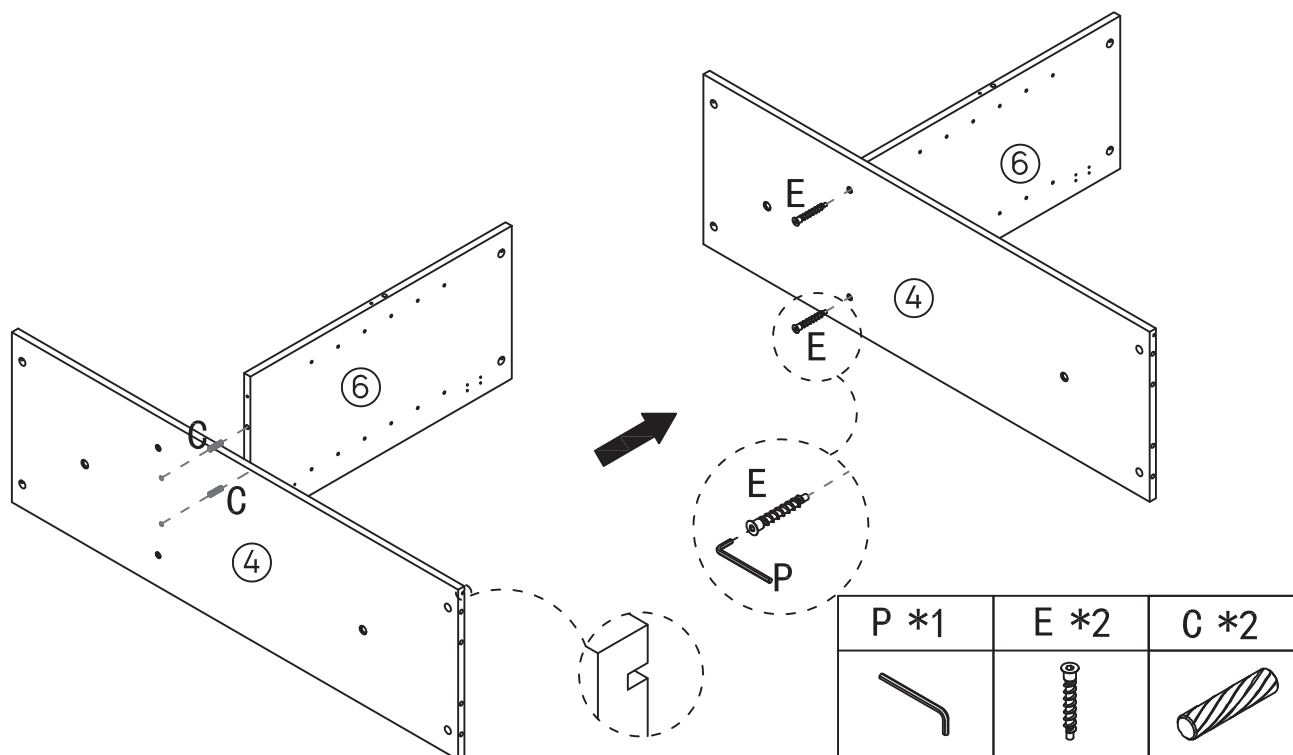
B *6	F *2	H *4	S *2	I *2
				

Step 2

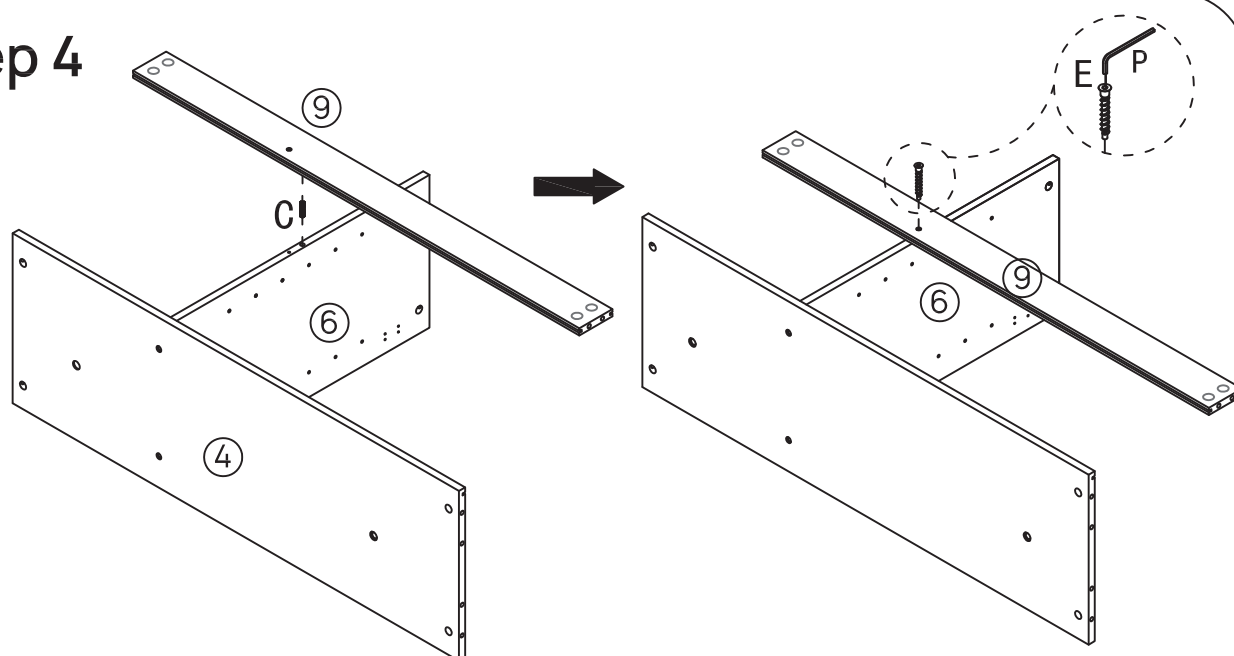


	B *12	D *4
		

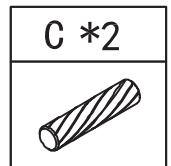
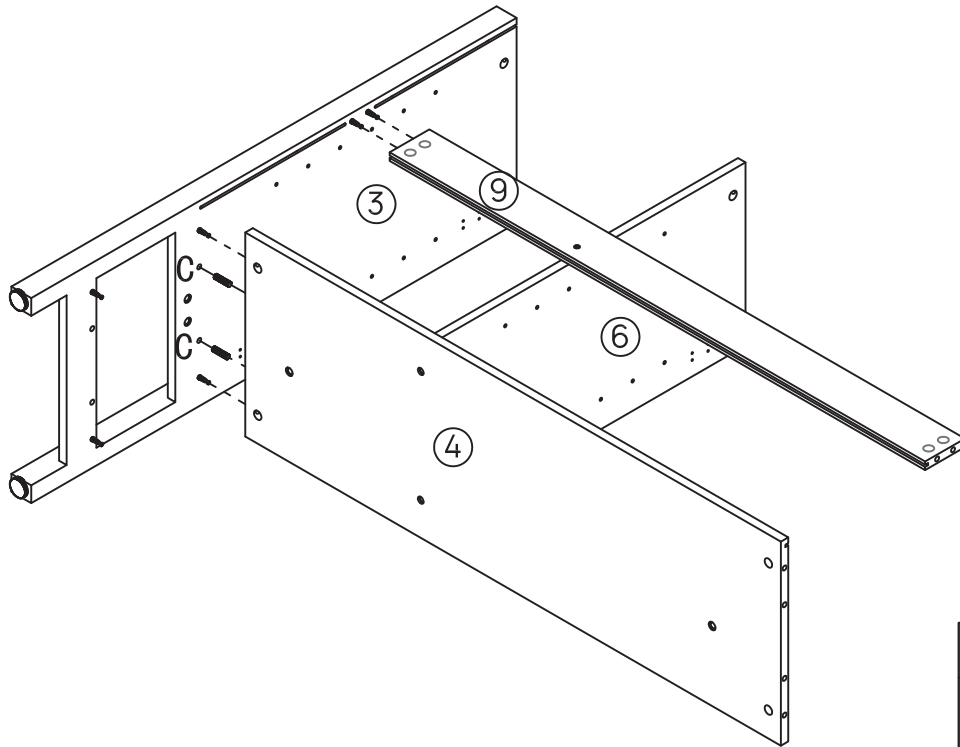
Step 3



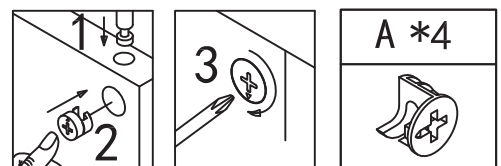
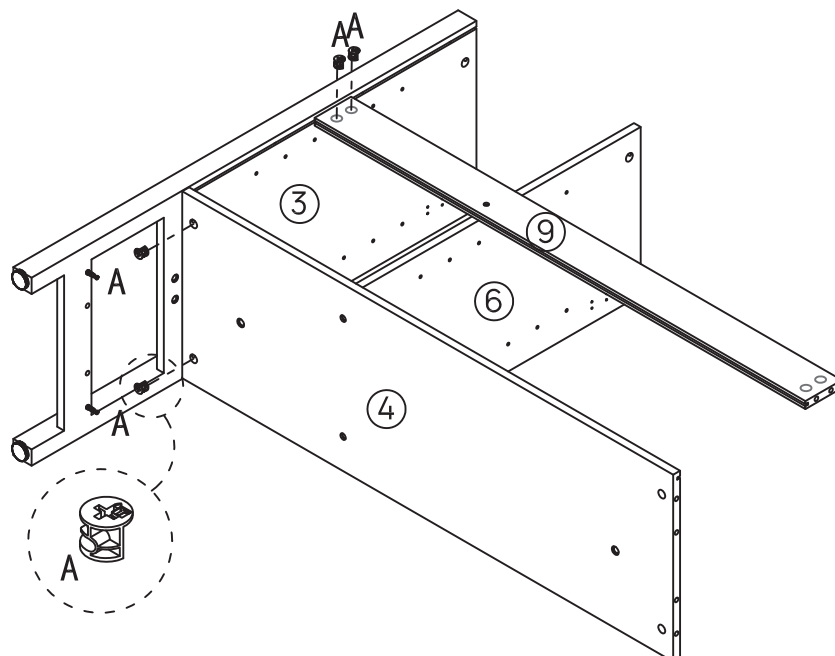
Step 4



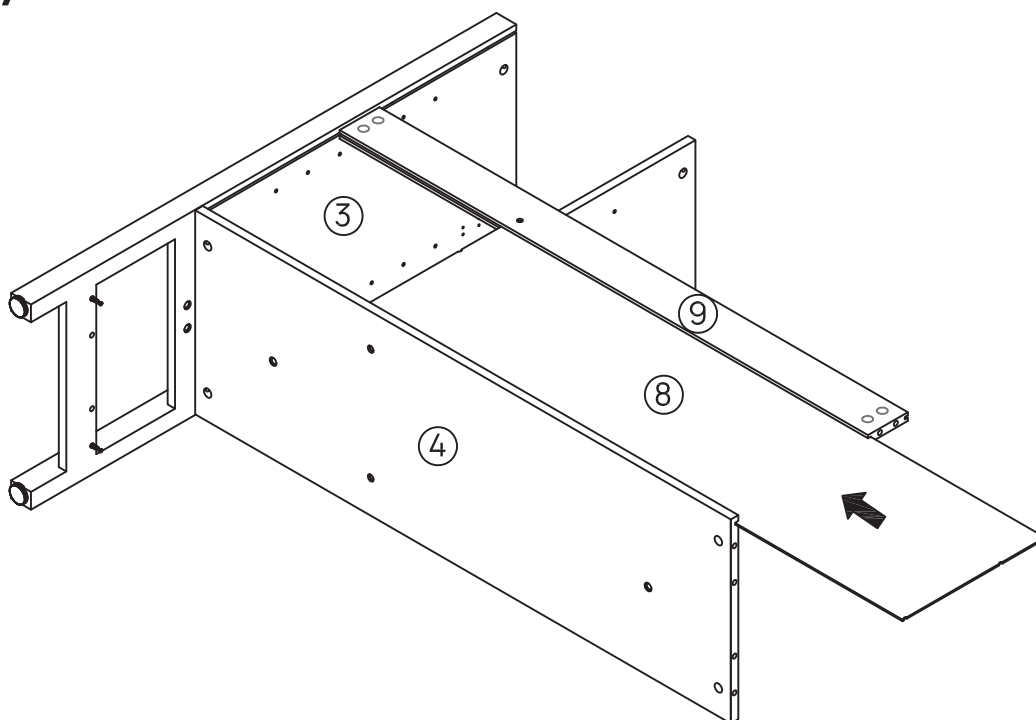
Step 5



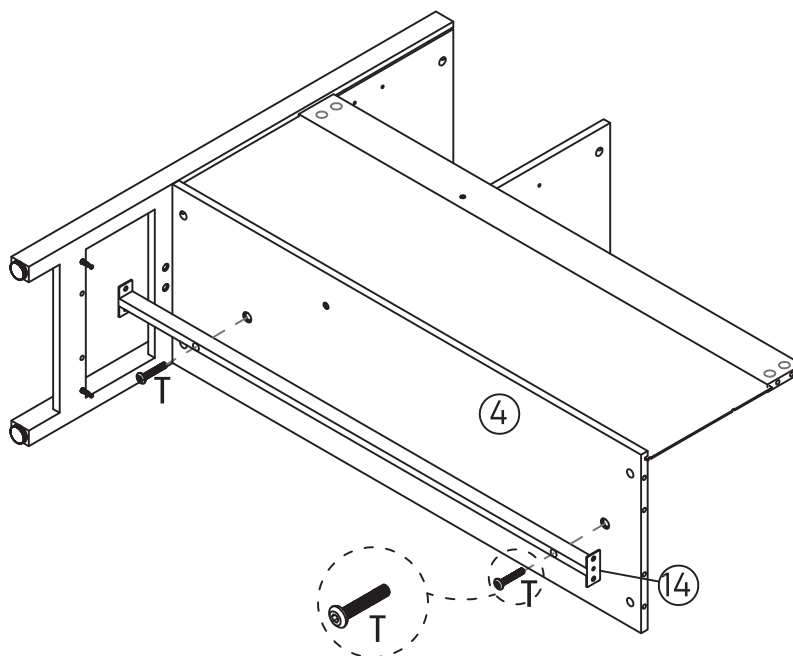
Step 6





Step 7



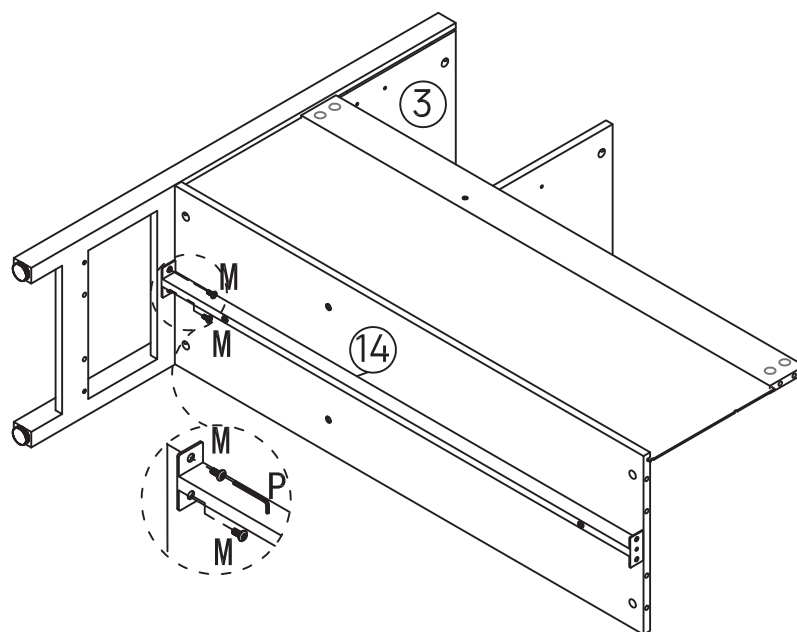
Step 8





Notes: Do not tighten the screws.
Wait until all the screws are locked
and then tighten them.

P *1	T *2
	

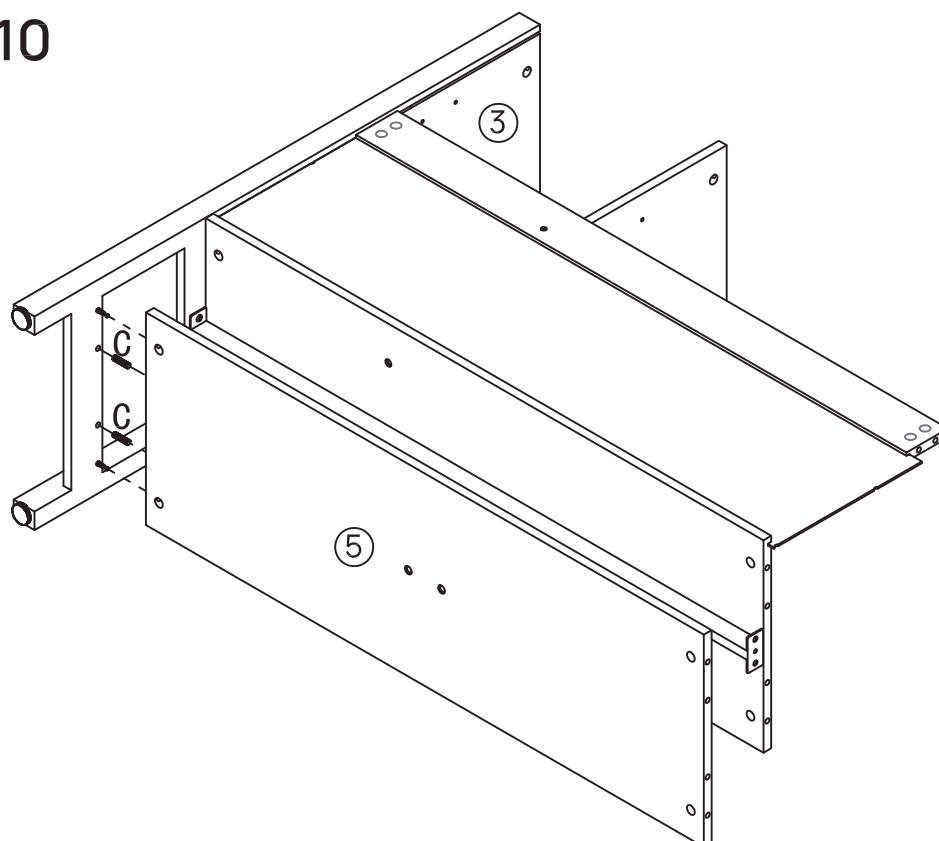
Step 9




Notes: Do not tighten the screws.
Wait until all the screws are locked
and then tighten them.

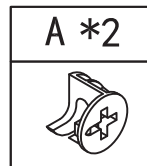
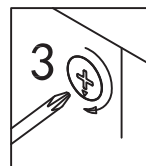
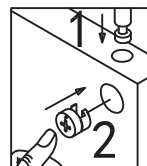
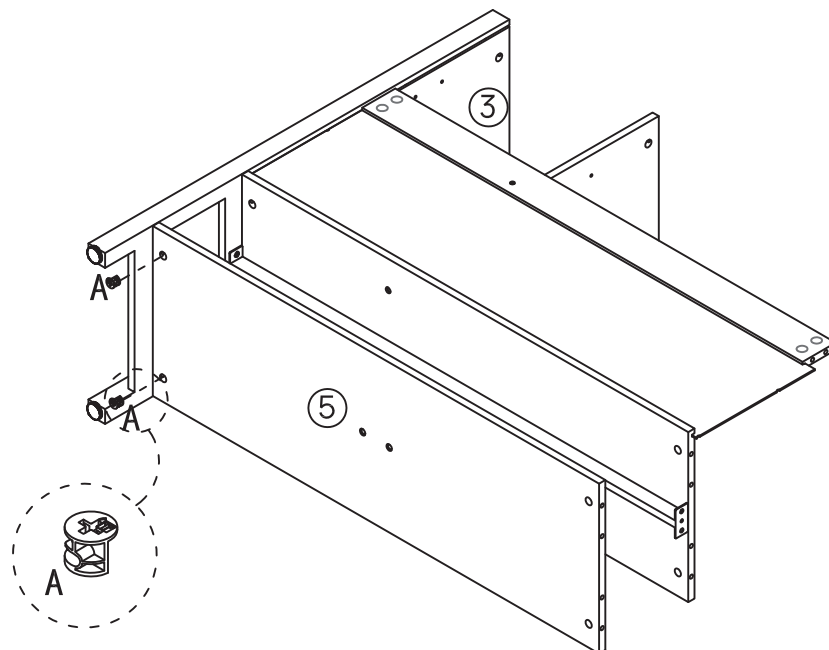
P *1	M*2
	

Step 10

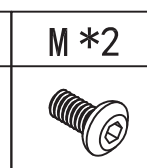
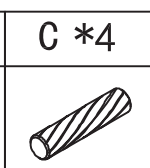
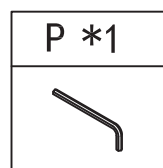
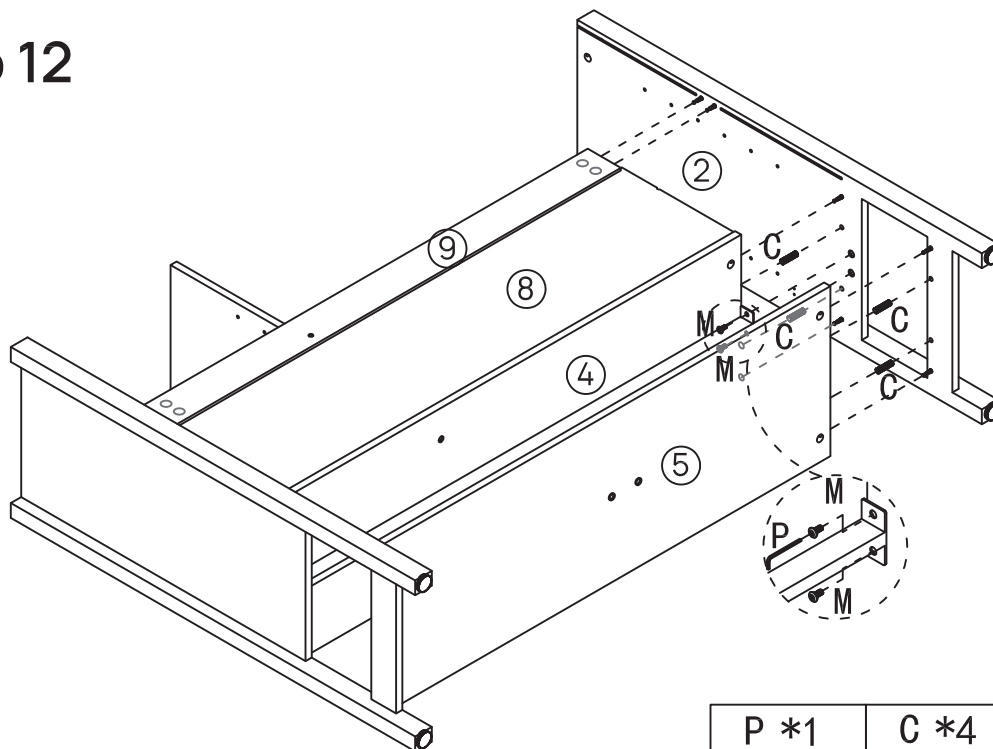


C *2


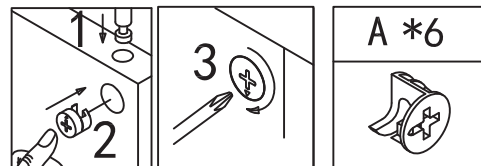
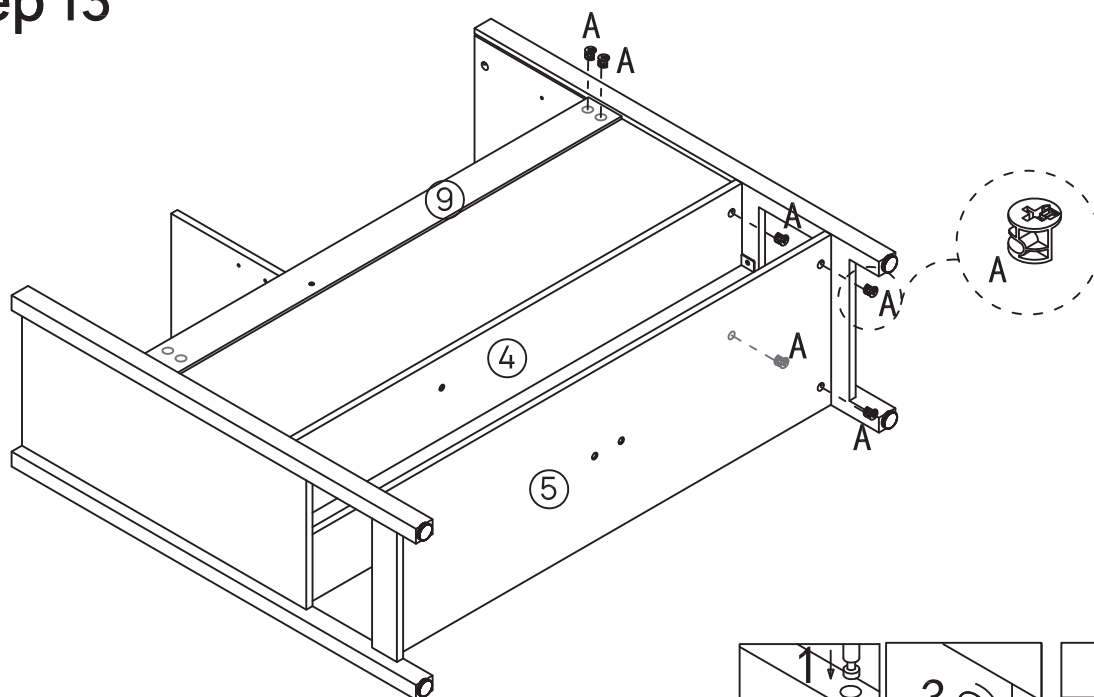
Step 11



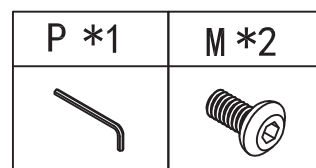
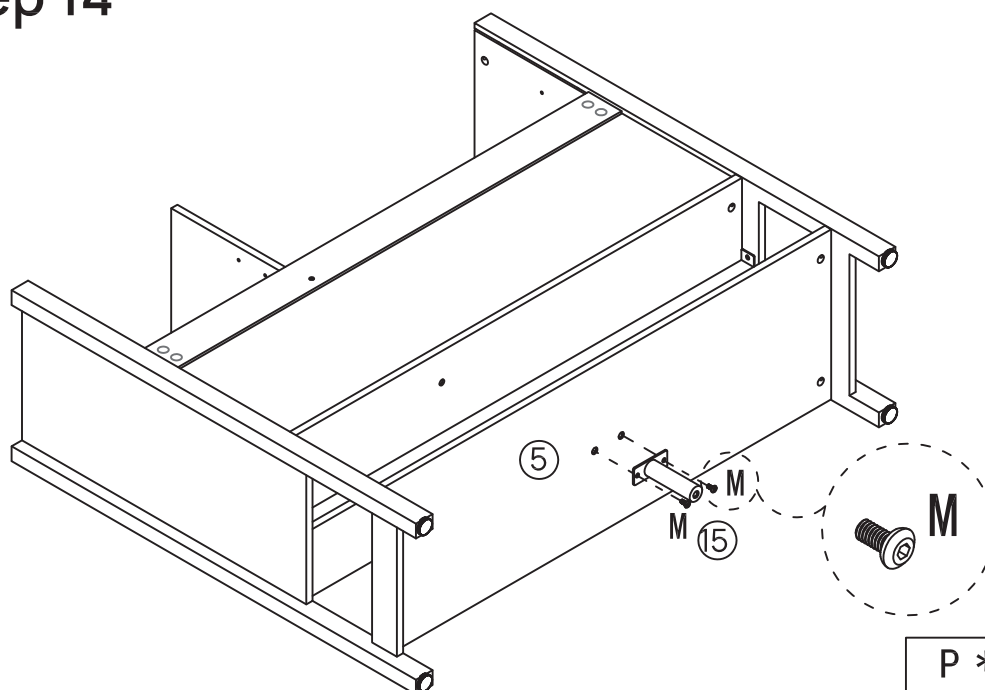
Step 12



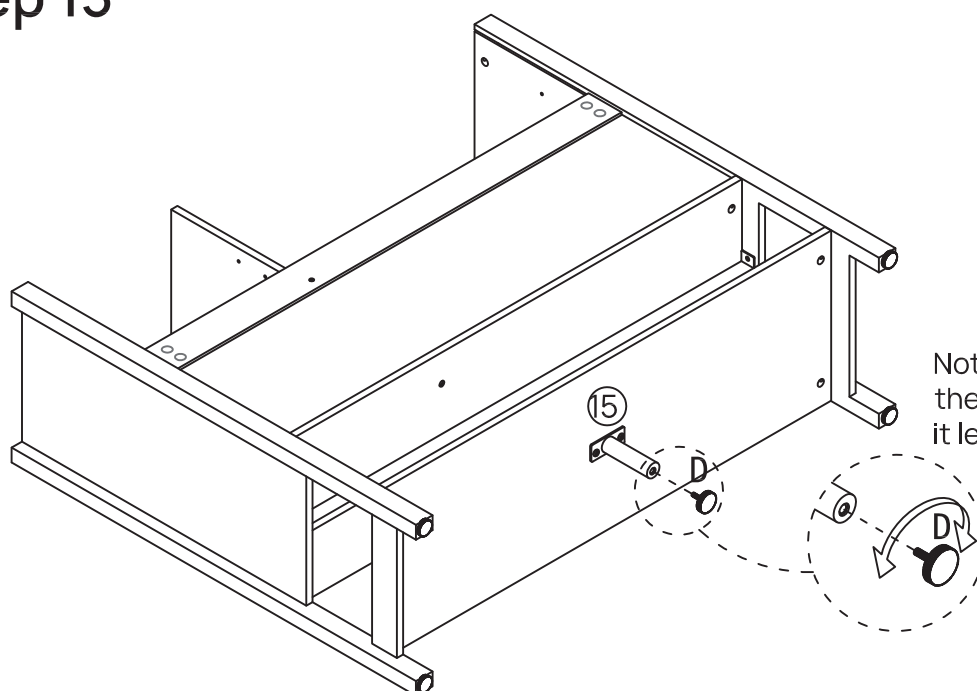
Step 13



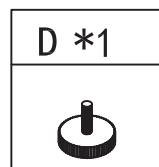
Step 14



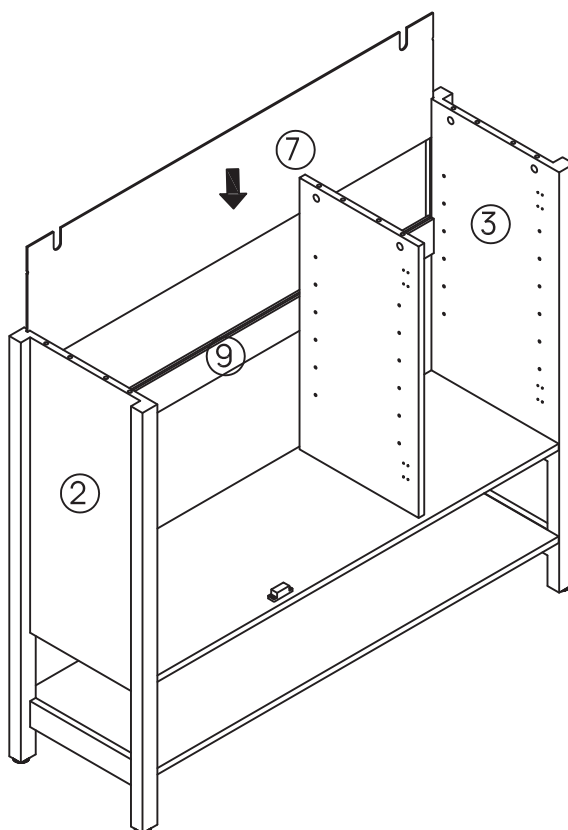
Step 15



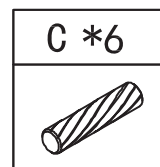
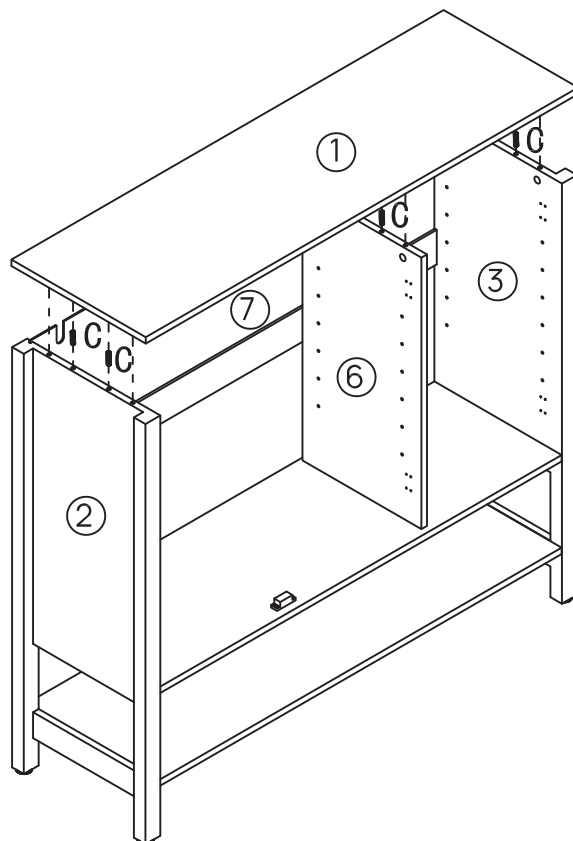
Note: You can adjust the height by rotating it left or right



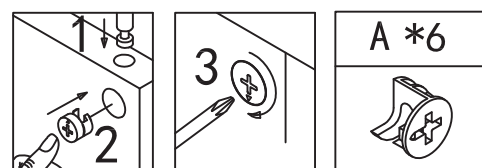
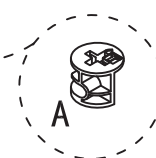
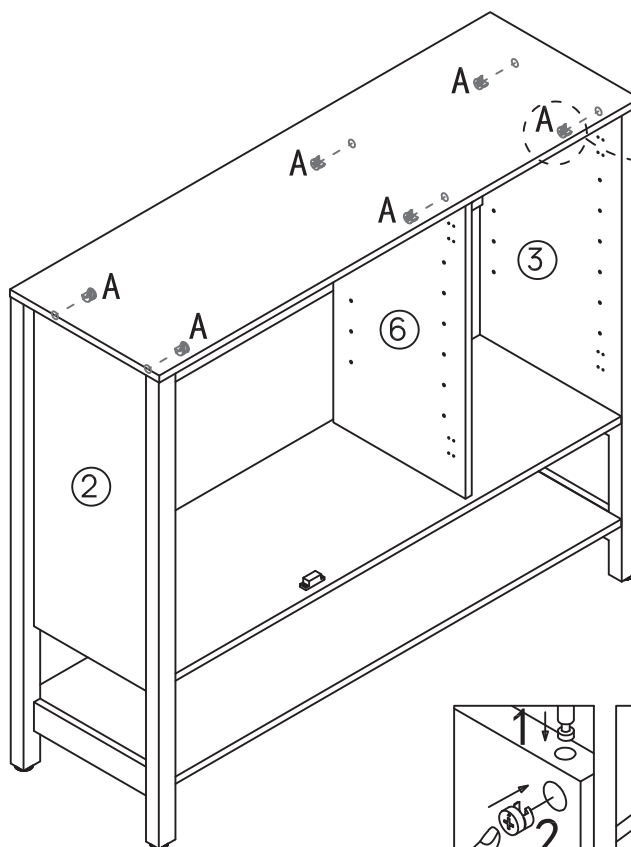
Step 16



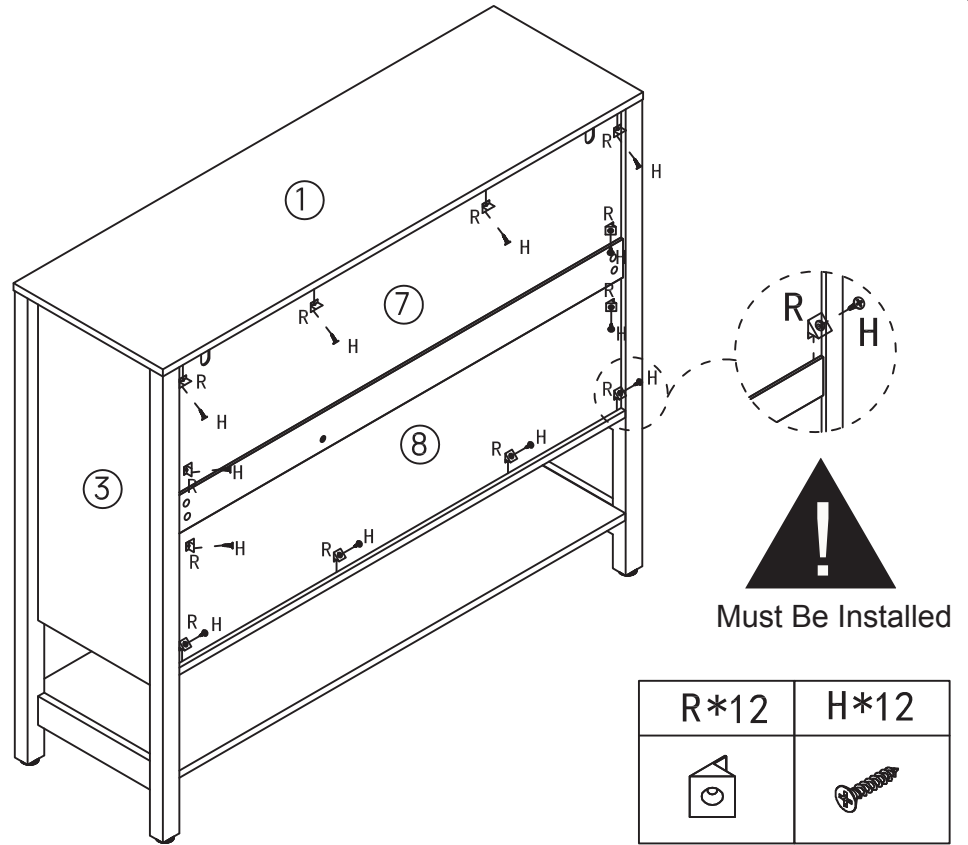
Step 17



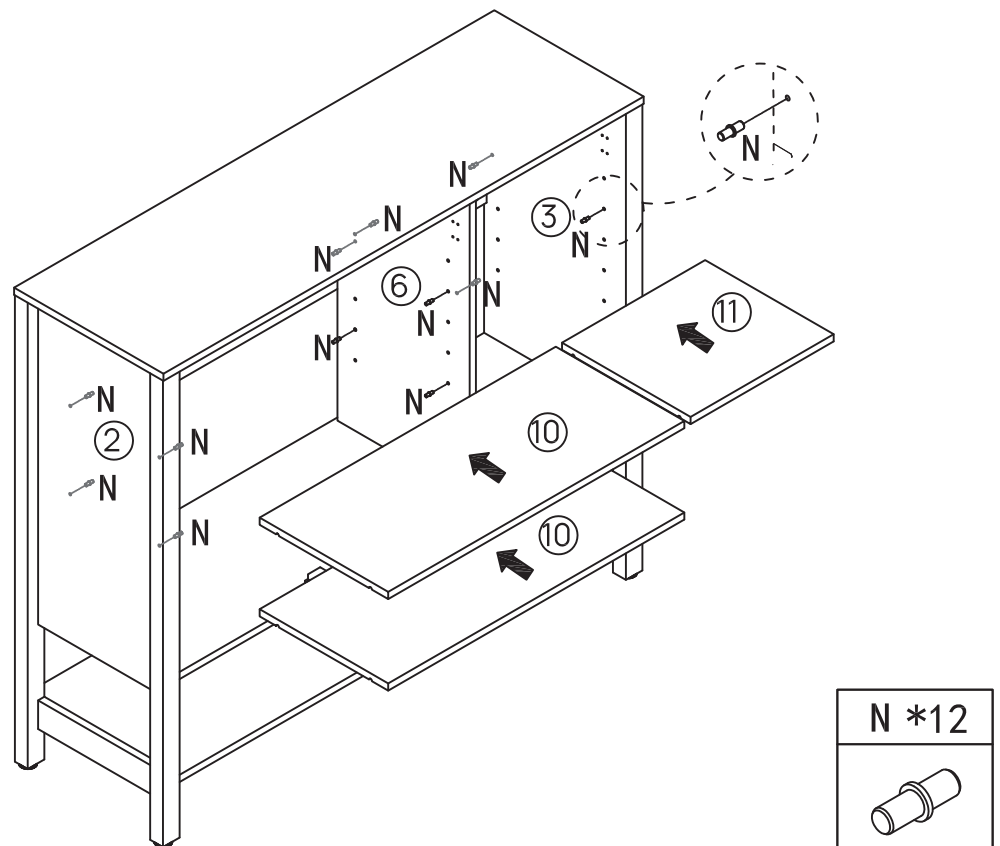
Step 18



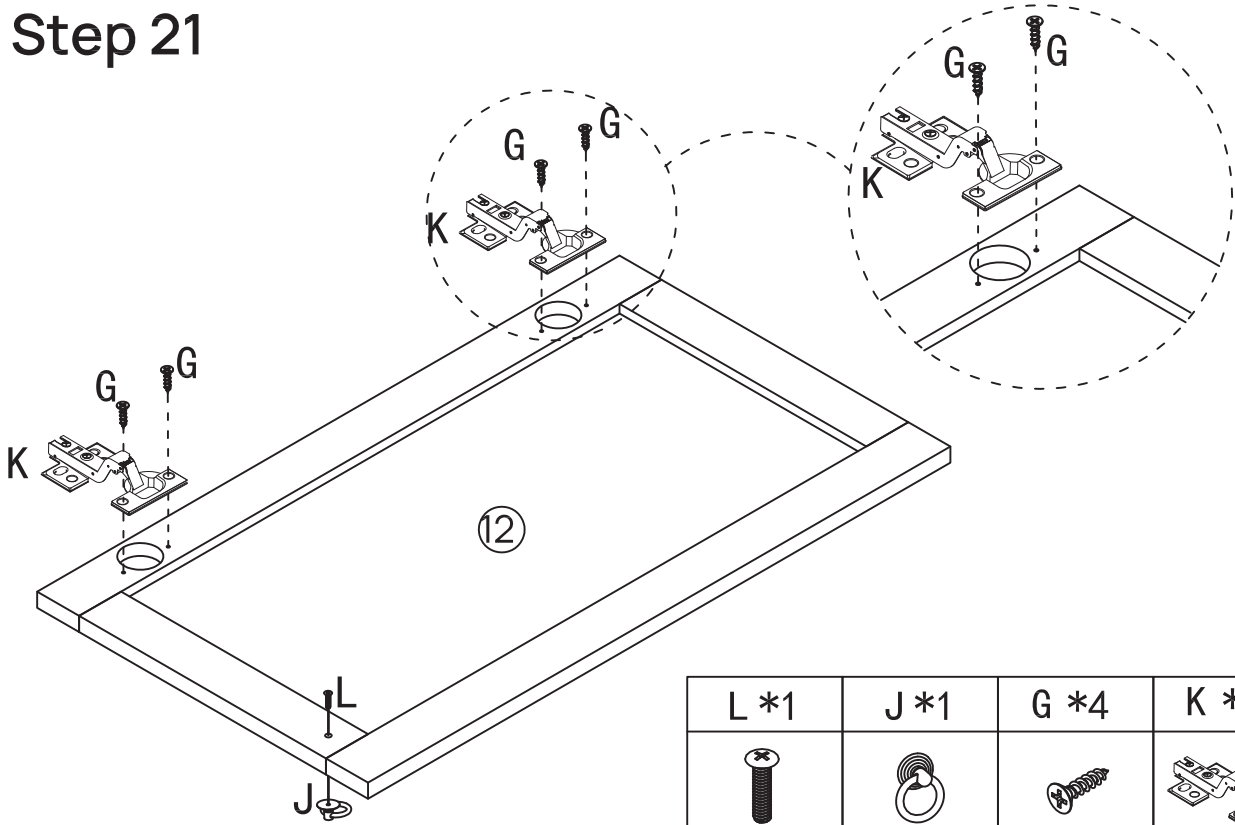
Step 19







Step 20

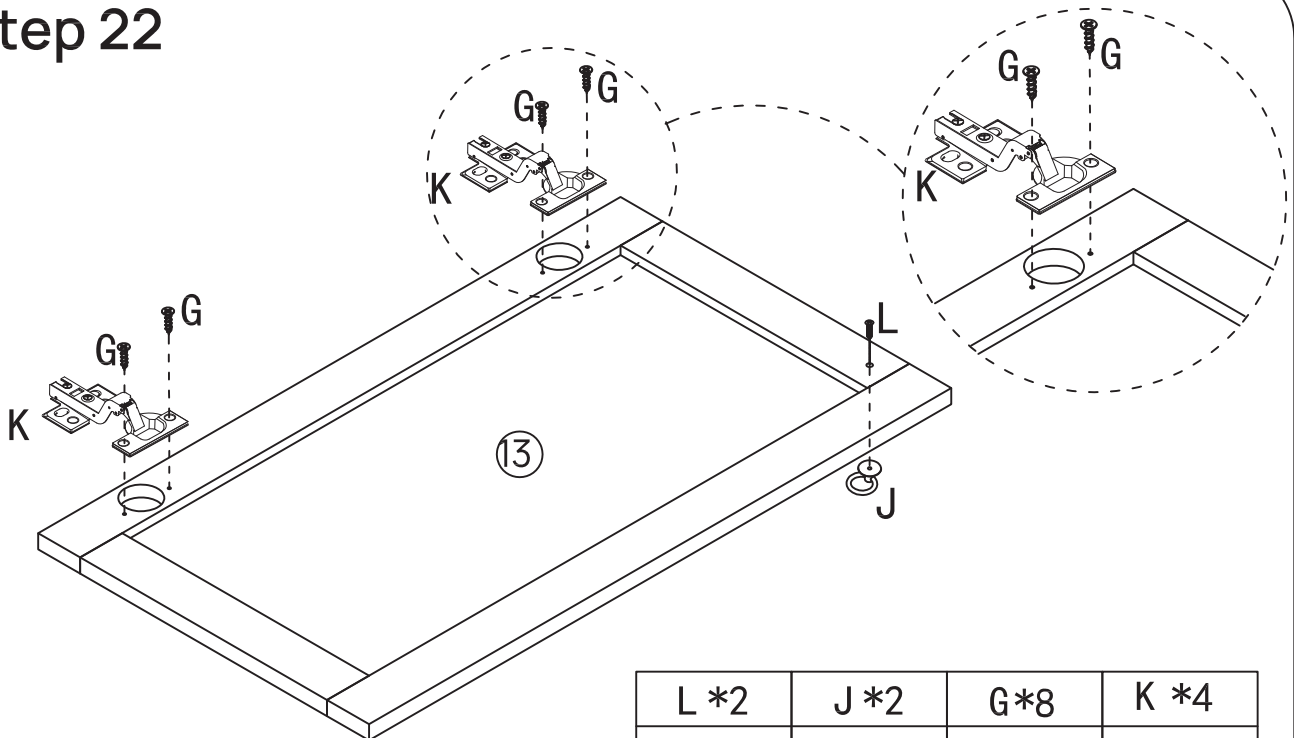


Step 21







L *1	J *1	G *4	K *2
			

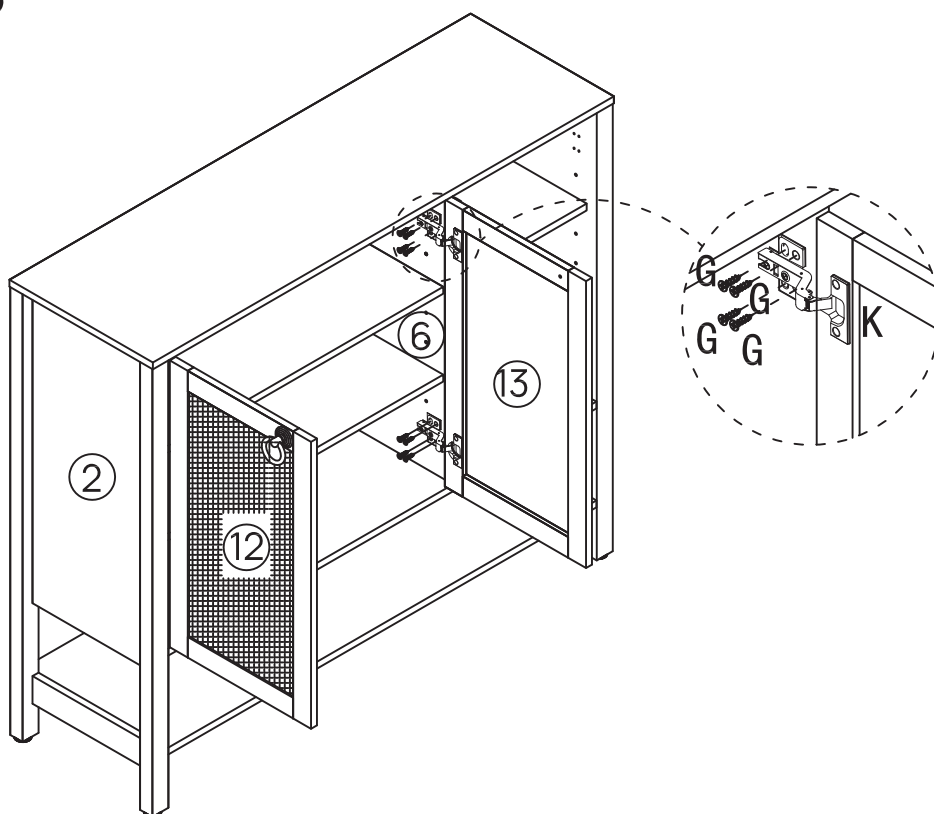
Step 22



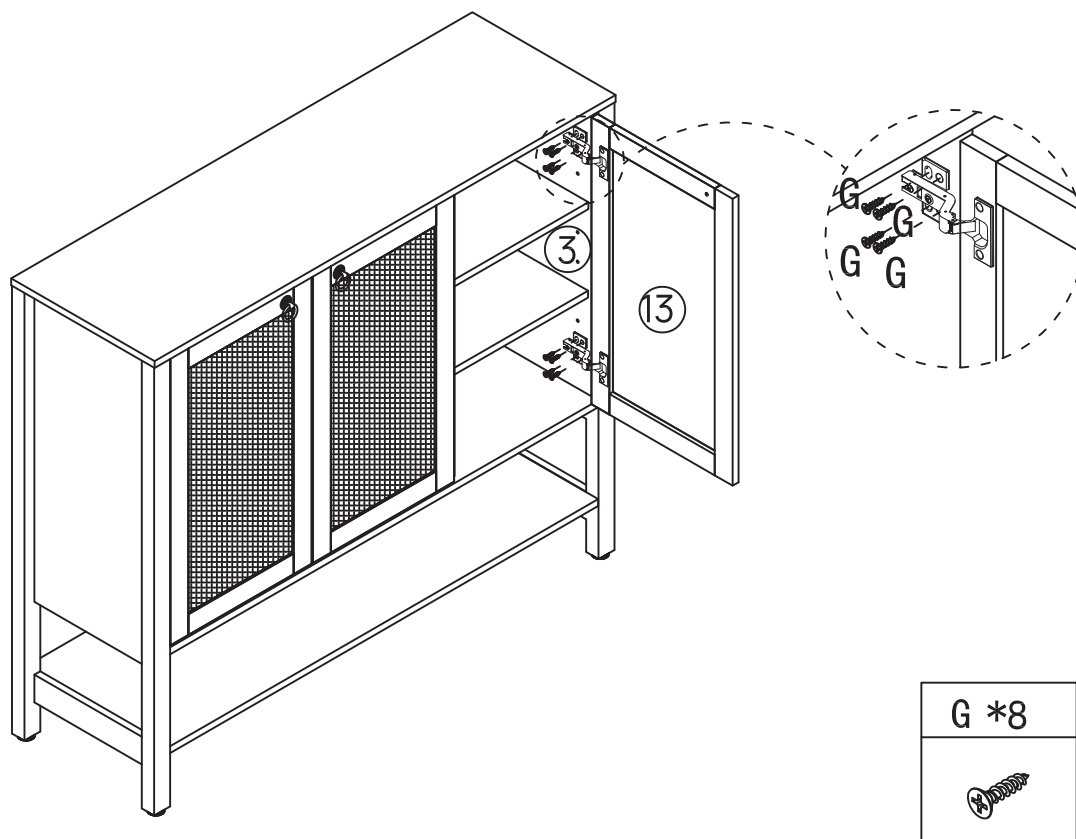
X2

L *2	J *2	G *8	K *4
			

Step 23



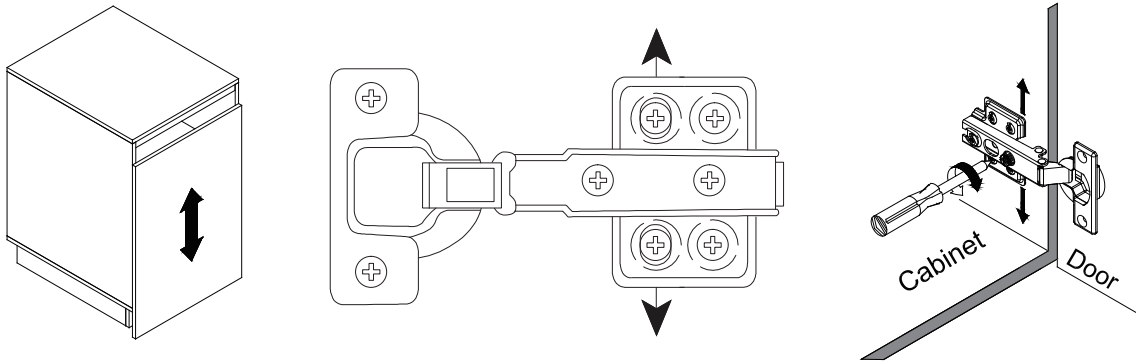
Step 24



Cabinet Door Adjustment Instructions

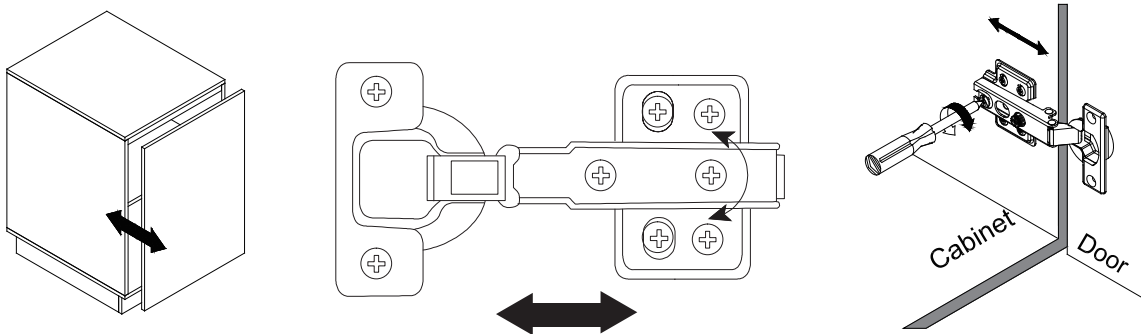
Height adjustment:

- Locate the height adjustment screws on the hinge.
- Use the Phillips screwdriver to either tighten or loosen the screws to raise or lower the cabinet door as desired.

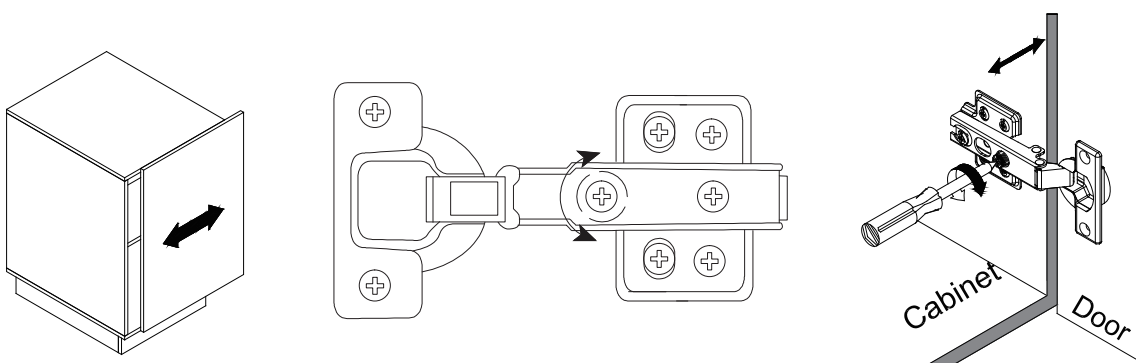


Side-to-side adjustment:

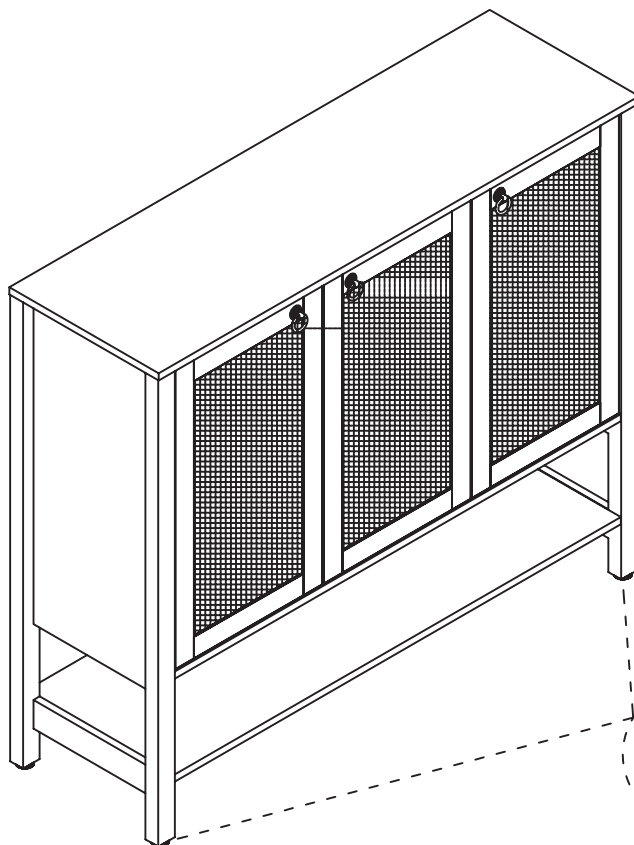
- If the cabinet door needs to be moved closer to or away from the cabinet frame, locate the side-to-side adjustment screws on the hinge.
- Use the Phillips screwdriver to adjust these screws and gradually move the door in the desired direction.



Depth adjustment (if applicable):



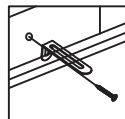
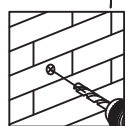
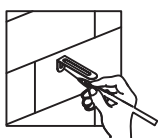
Step 25



Note: You can adjust the height by rotating it left or right



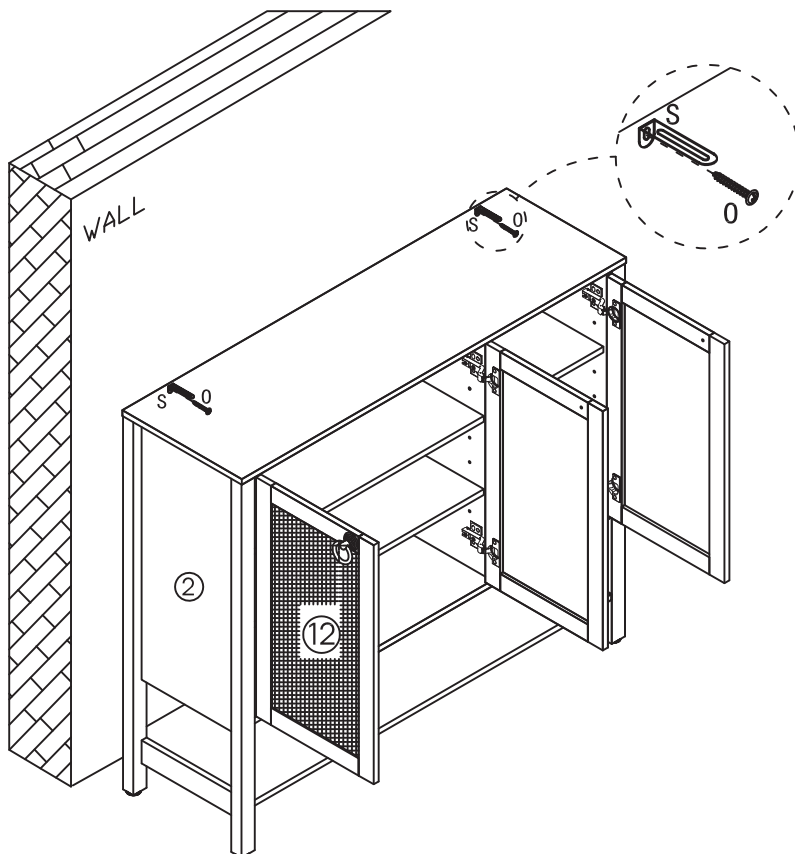
Step 26



0 *2



Q *2



Step 27

