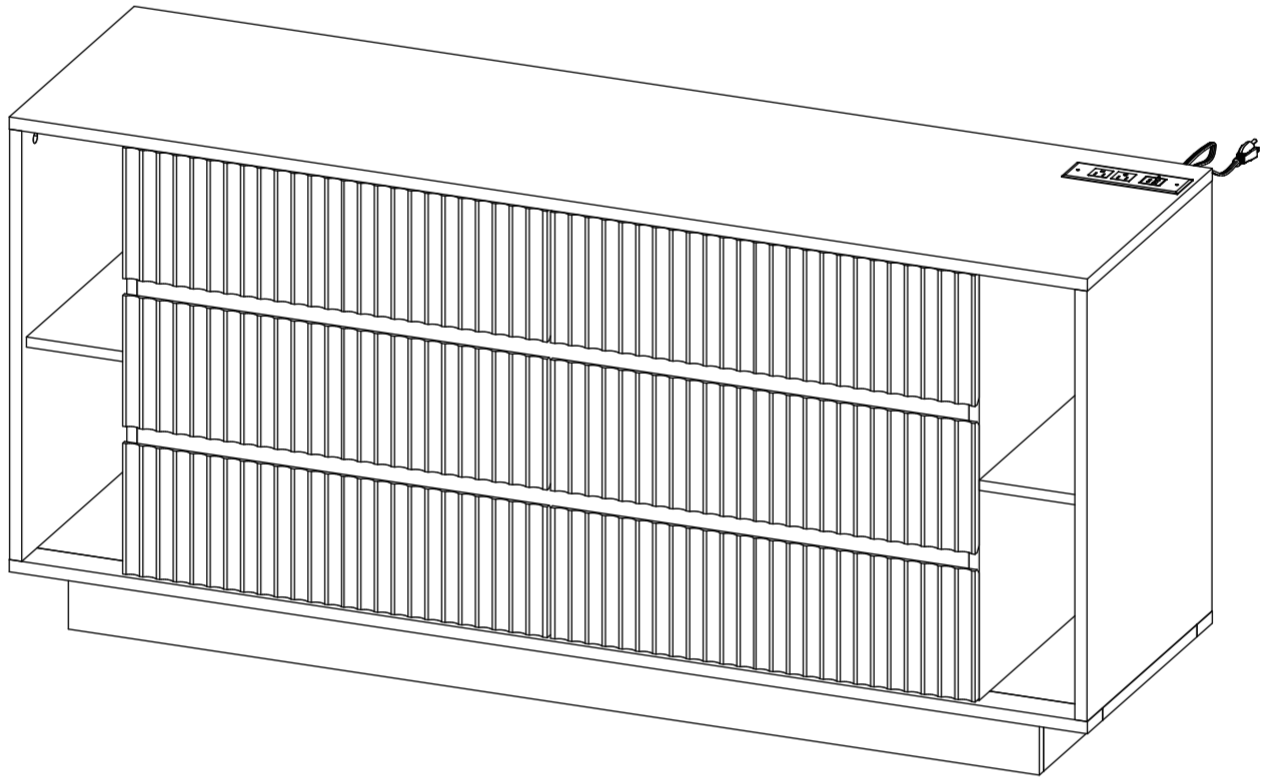


Assembly Instruction



Warm Tips:

If you experience any issues with damaged or missing parts, or notice a quality defect, we kindly ask you to share the part number along with photos of the issue. Once we have reviewed and confirmed the details, we will provide appropriate solutions, including arranging a replacement. We sincerely appreciate your understanding and patience! This instruction booklet contains important safety information. please read and keep for future reference.

TIPS BEFORE YOU START

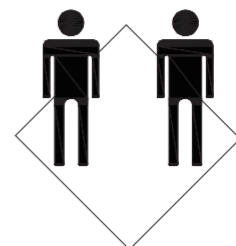
1. Before assembling your furniture, please check that all parts are present and laid out.
2. Before initiating each assembly step, please confirm required parts are identified.
3. Please ensure adequate space and assistance for safe assembly of large items.
4. We recommend assembling the product near its intended placement area to avoid relocation after assembly.
5. We recommend to place components on soft surfaces (e.g., carpet, blanket) during assembly to prevent damage of the item.
6. Please do not overtighten any fittings, as this may damage the product. We recommend hand-tightening rather than using power tools.
7. Please position fully assembled product on flat, stable surfaces with even support.
8. Please do not stand on or use this product as a step ladder.
9. Product is designed exclusively for indoor household use in non-industrial environments.
10. Please lift with proper body mechanics to prevent injury and product damage.

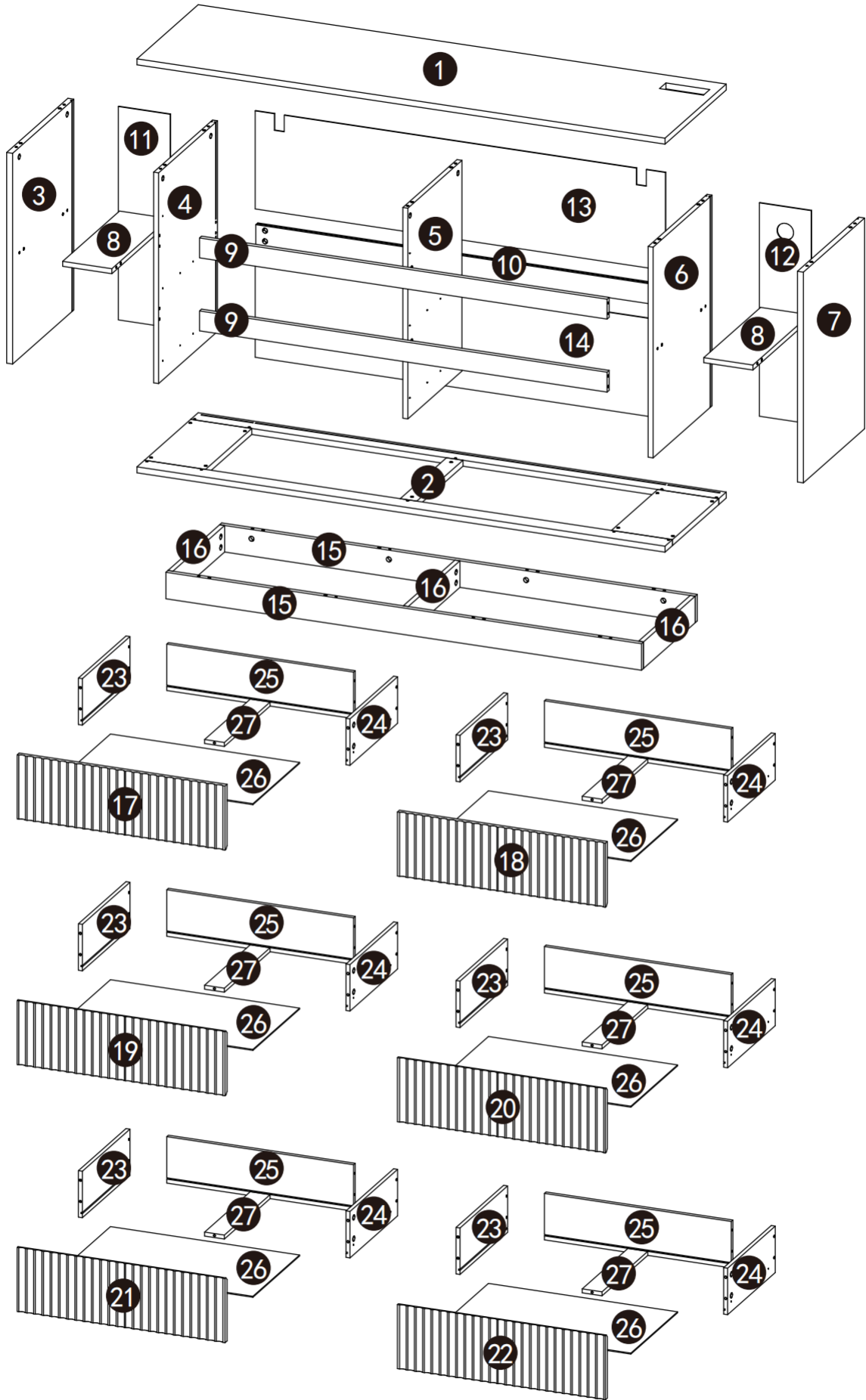
CARE AND MAINTENANCE OF YOUR FURNITURE

- ☑ Periodically inspect and retighten all fittings as needed to maintain structural integrity.
- ☑ Periodically inspect all screws and retighten if necessary to maintain product stability.
- ☑ For optimal glass cleaning, apply a dedicated glass cleaner using a microfiber cloth to prevent streaks.
- ☑ Avoid liquid contact to prevent structural warping and surface delamination; immediately wipe any spills.
- ☑ Avoid placing hot objects (e.g., hot beverages) directly onto surfaces to prevent thermal shock and permanent discoloration.
- ☑ Lift the unit with multiple personnel using proper technique; dragging or pushing risks structural failure and injury.


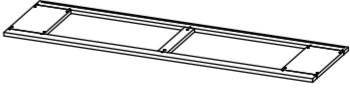
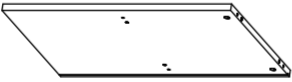

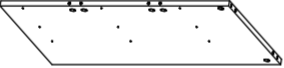


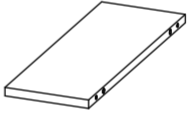




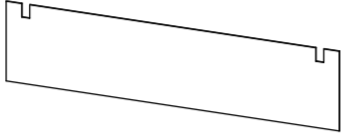
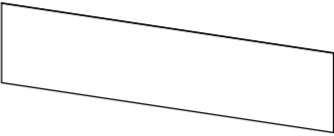

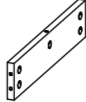
ASSEMBLY REQUIREMENTS

- ☑ 2 x adults required.
- ☑ 2m x 2m assembly space required.
- ☑ Equipment: phillips head screwdriver.
- ☑ 1.5 hour assembly time approx.

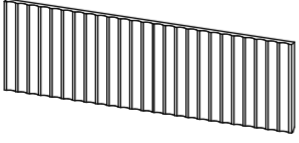
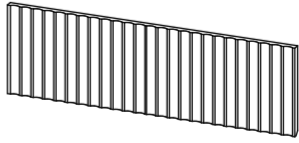
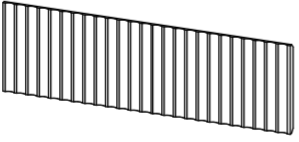
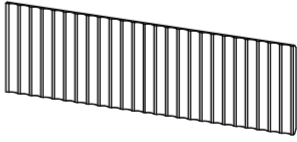
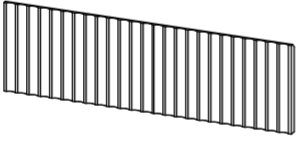
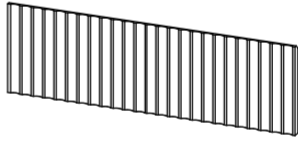
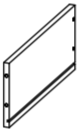
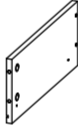


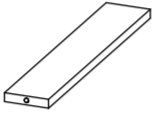






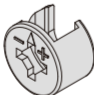



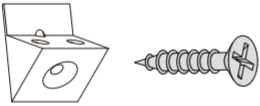
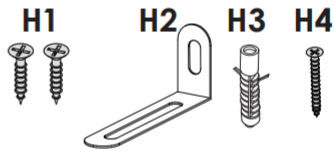


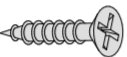



Mounting Frame

Item no.	Reference Image	Qty.	Item no.	Reference Image	Qty.
1		x1	2		x1
3		x1	4		x1
5		x1	6		x1
7		x1	8		x2
9		x2	10		x1
11		x1	12		x1
13		x1	14		x1
15		x2	16		x3

Mounting Frame

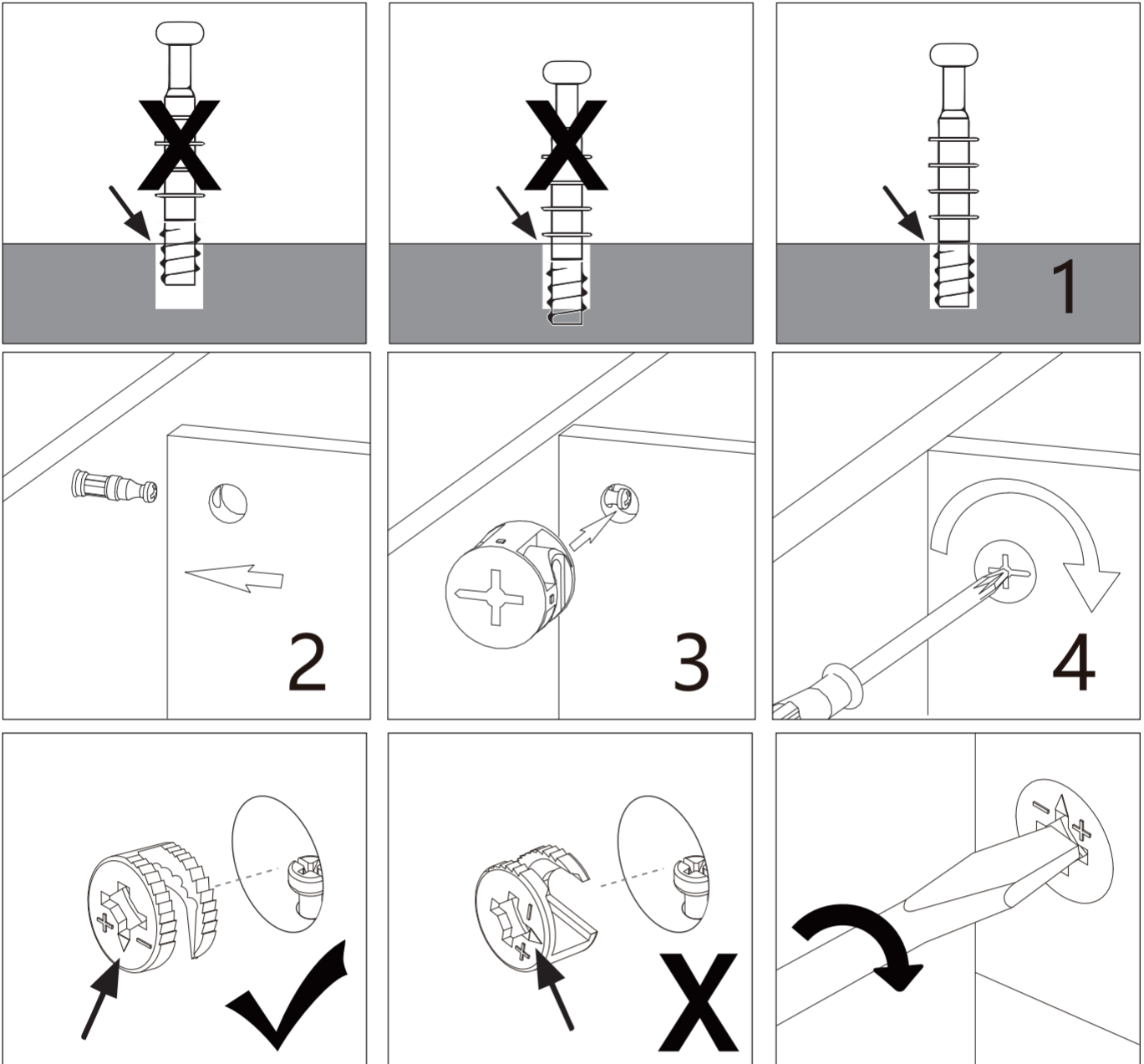
Item no.	Reference Image	Qty.	Item no.	Reference Image	Qty.
17		x1	18		x1
19		x1	20		x1
21		x1	22		x1
23		x6	24		x6
25		x6	26		x6
27		x6			

Installation Parts

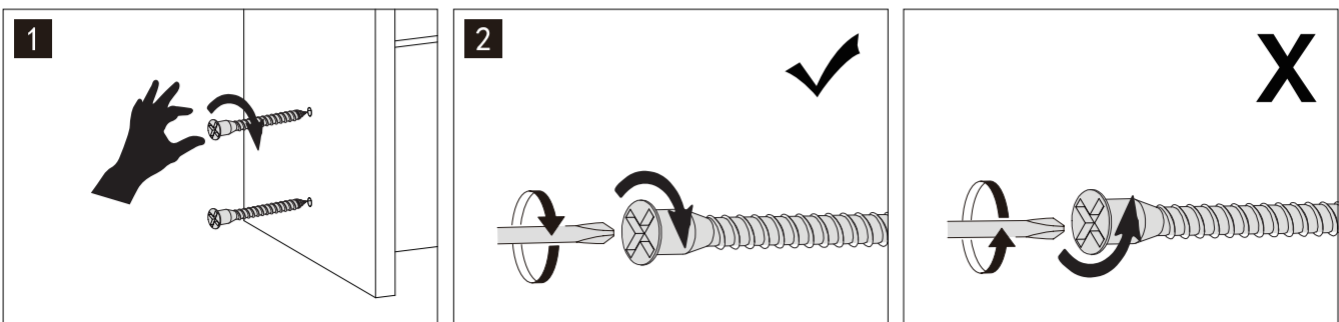
Item no.	Reference Image	Qty.	Item no.	Reference Image	Qty.
A	 6x35	x89	B	 15x11	x59
C	 12x10	x30	D	 8x35	x36
E	 M3.5x14	x72	F	 M5x38	x46
G	 x20	x20	H	 x2	x2
I	 x1	x1	J	 350mm	x12
K	 BLACK M3.5x14	x2	L	 20x20mm	x89
M	 x2	x2		 x1	x1

Hardware installation indication

Installation method of three in one rod and buckle



Screw installation method

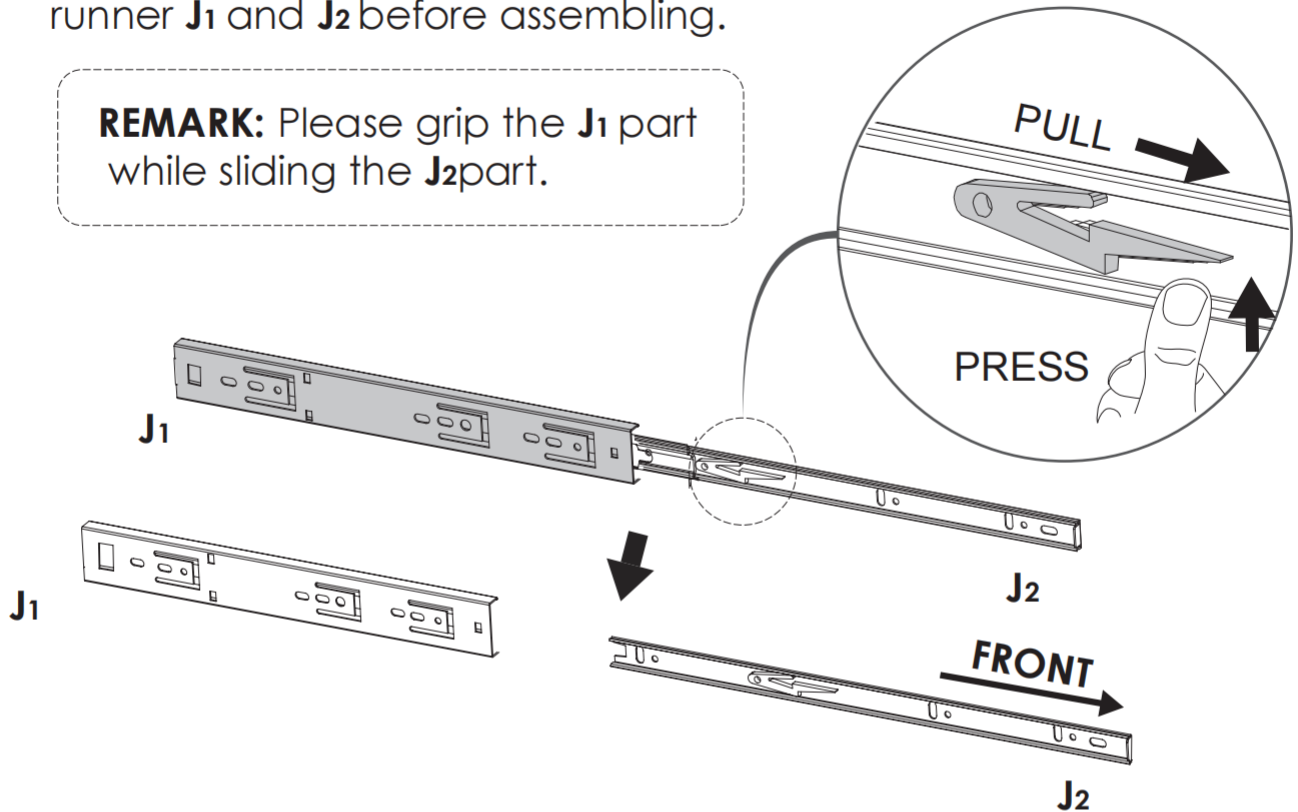


Step:1

INSTALLATION STEPS

Press the plastic part in the indicated direction to separate drawer runner **J1** and **J2** before assembling.

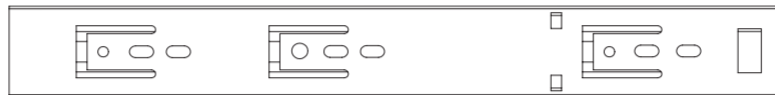
REMARK: Please grip the **J1** part while sliding the **J2** part.



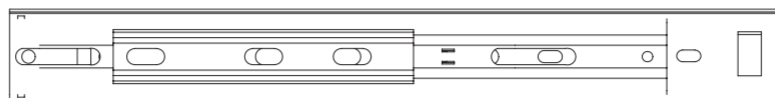
REMARK:

1. Please locate the holes from the back of part **H1**.

J1 Back:



J1 Front:



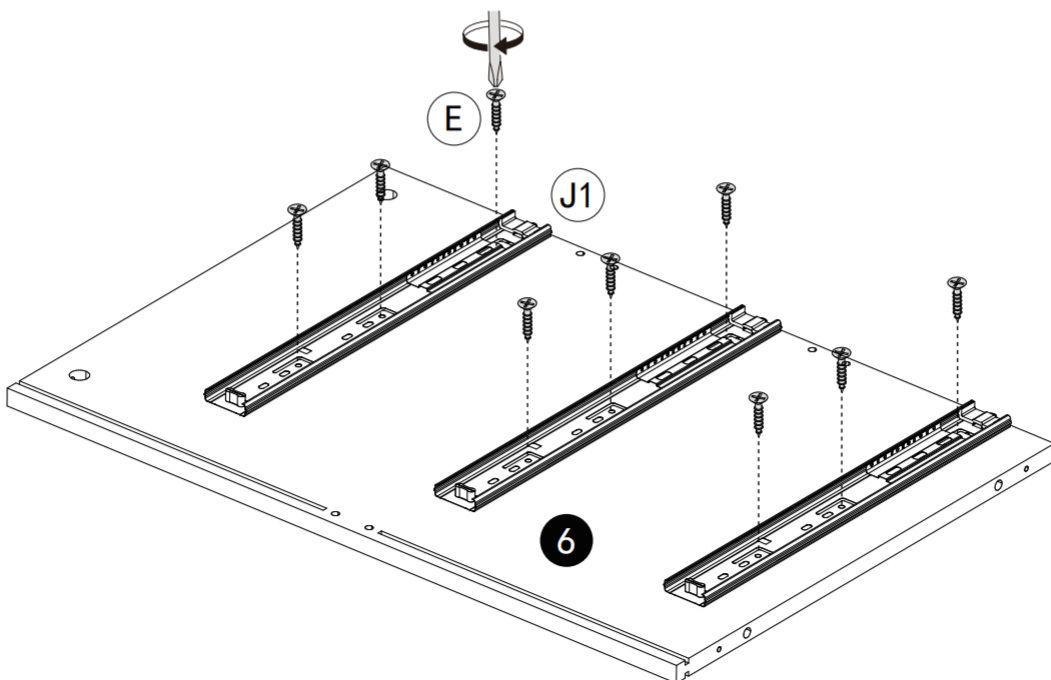
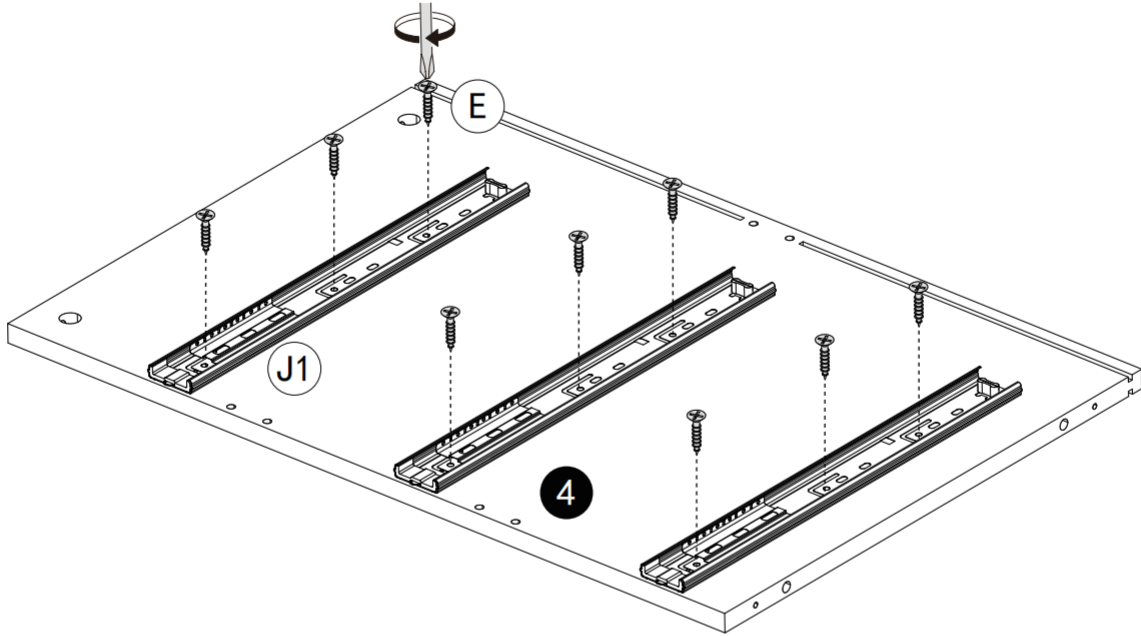
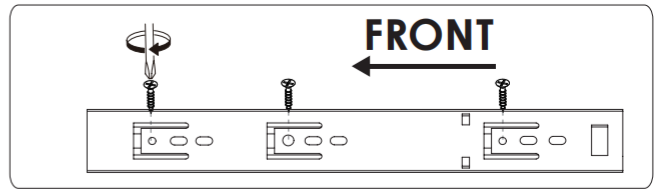
2. But install part **E** from the front of part **J1**.

Step:2

YOU WILL NEED

J1  x6

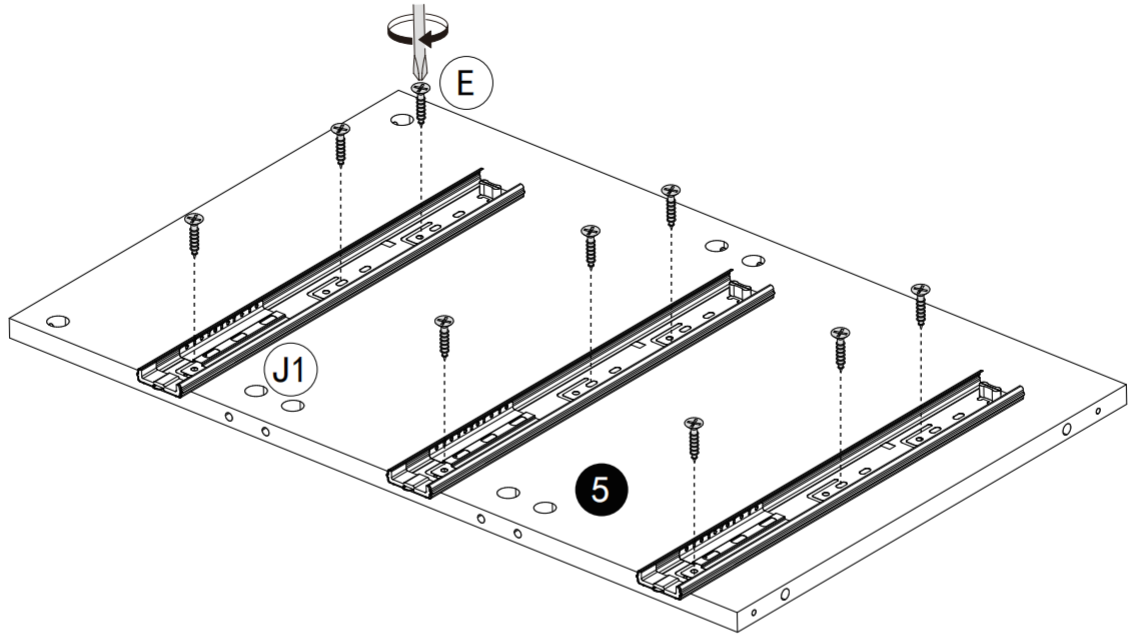
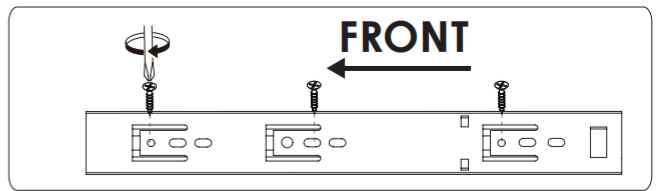
E  x18



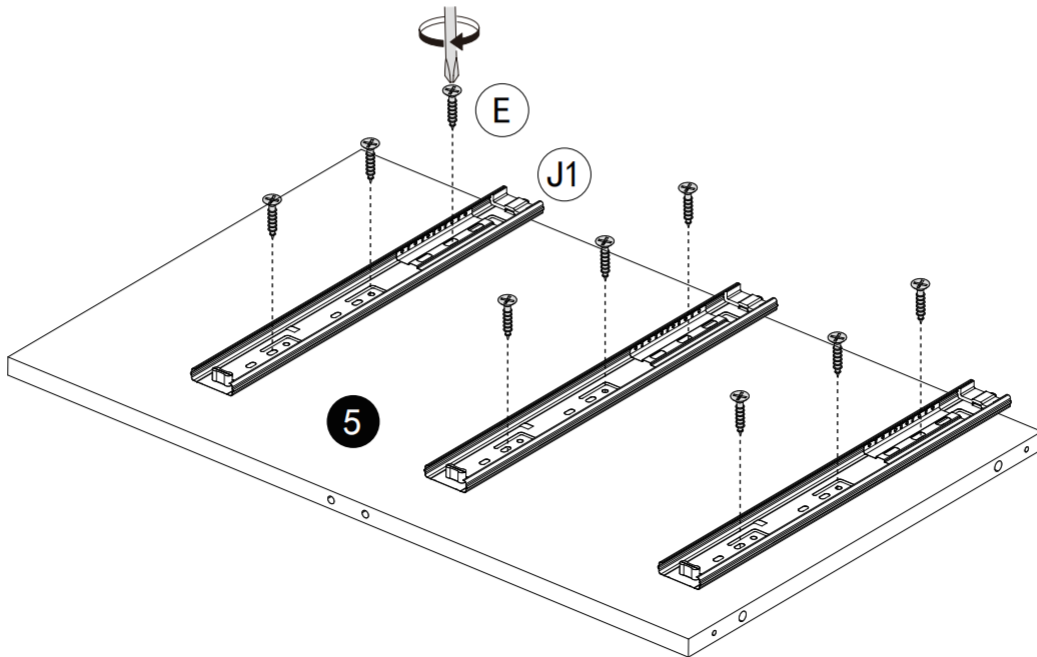
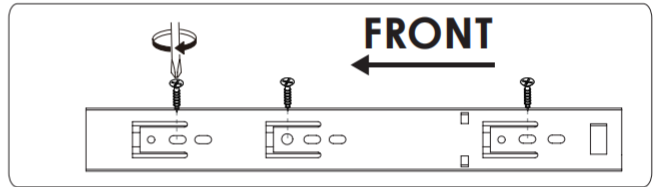
Step:3

YOU WILL NEED

J1  x6 E  x18



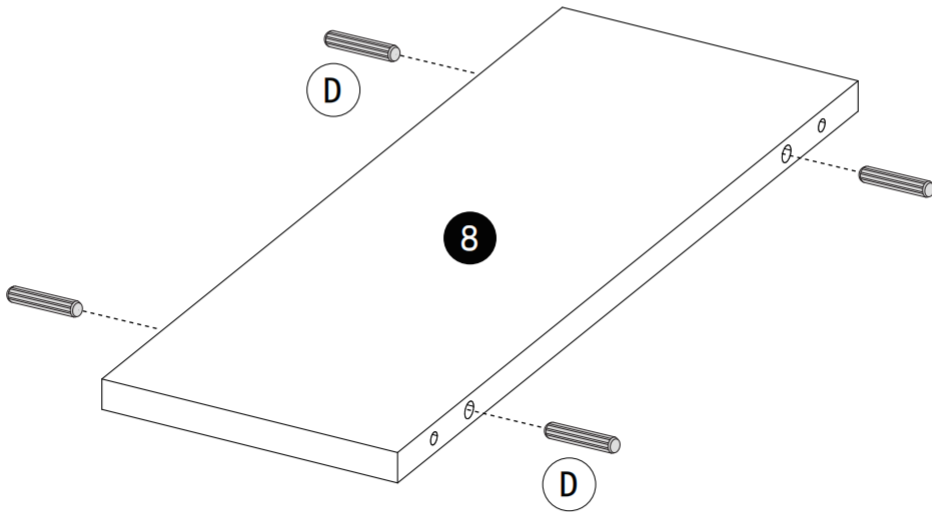
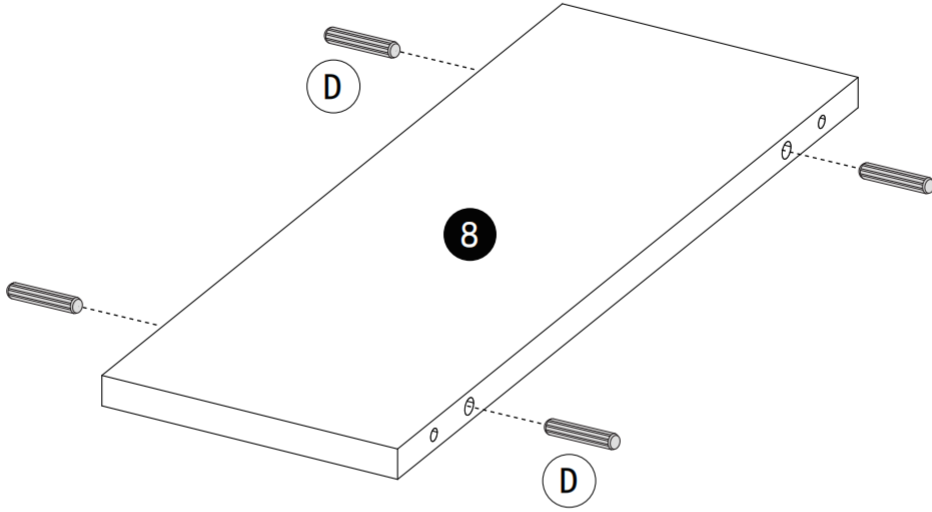
flip over



Step:4

YOU WILL NEED

D  x8



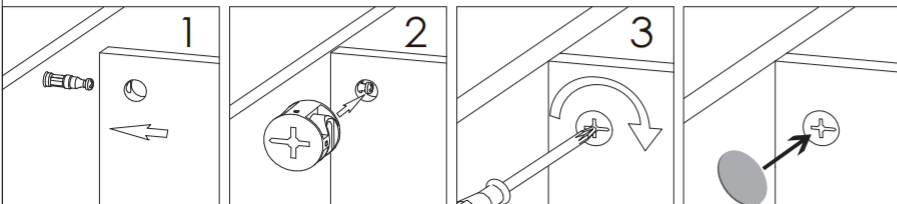
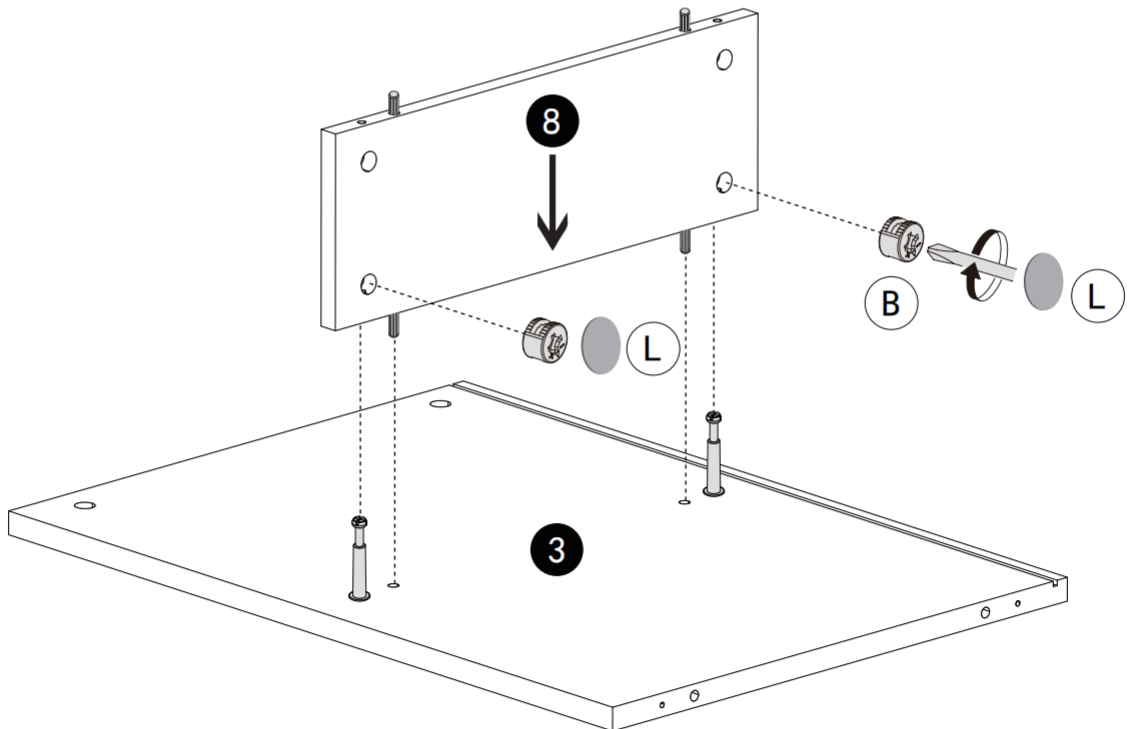
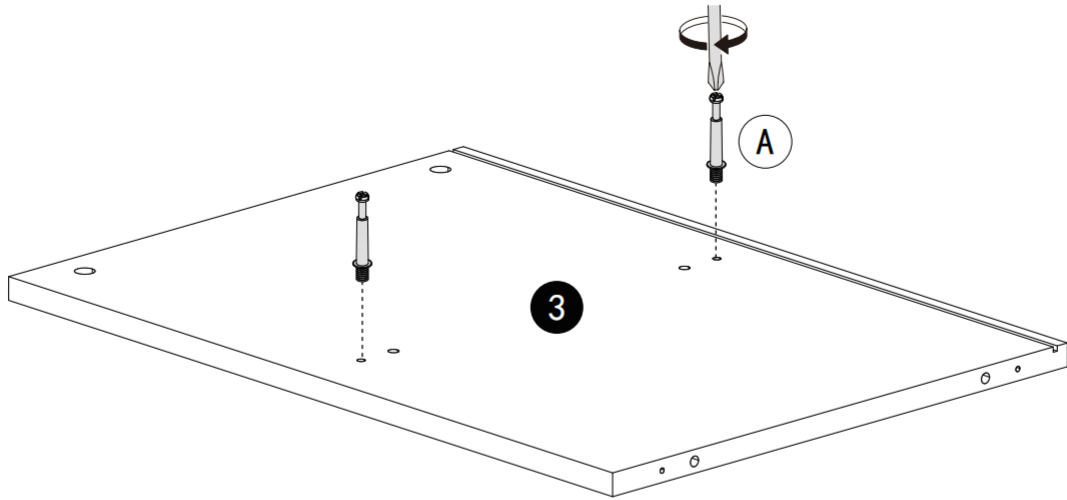
Step:5

YOU WILL NEED

A  x2

B  x2

L  x2



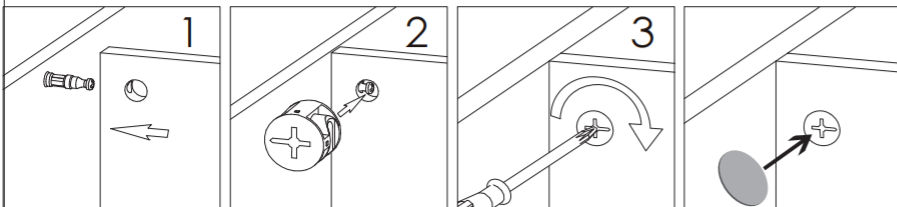
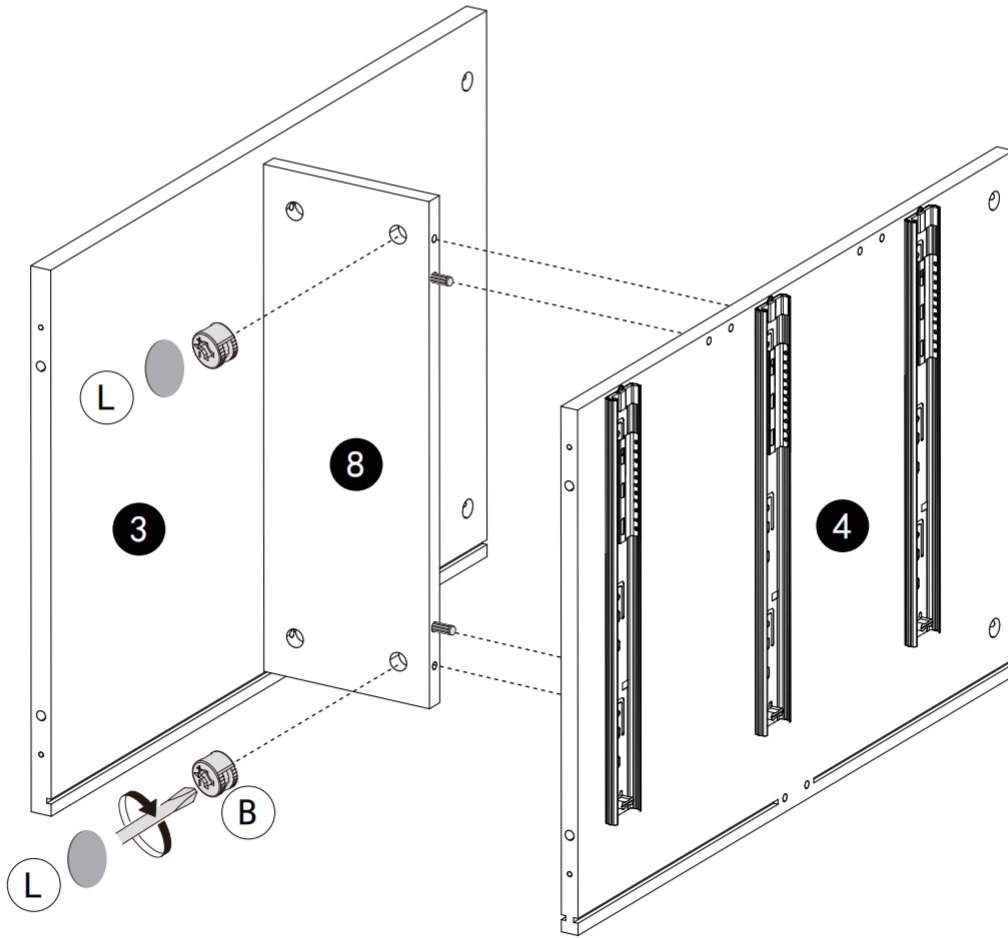
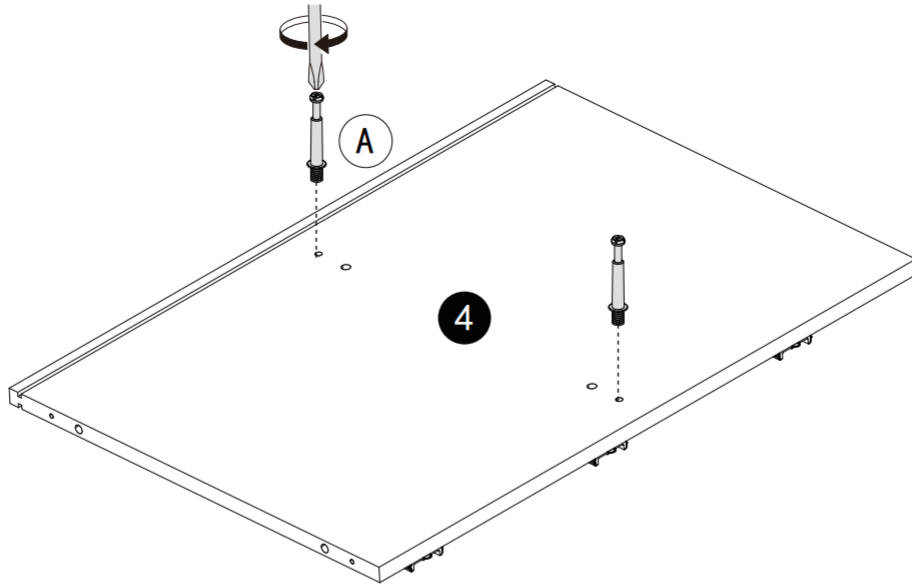
Step:6

YOU WILL NEED

A  x2

B  x2

L  x2



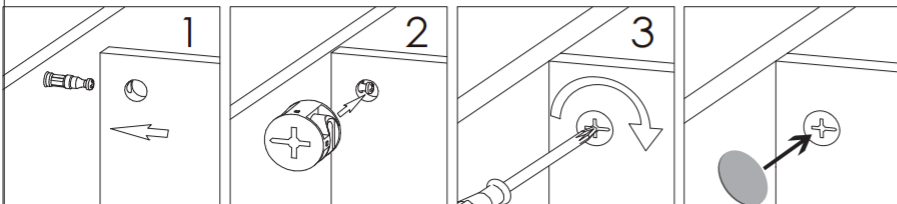
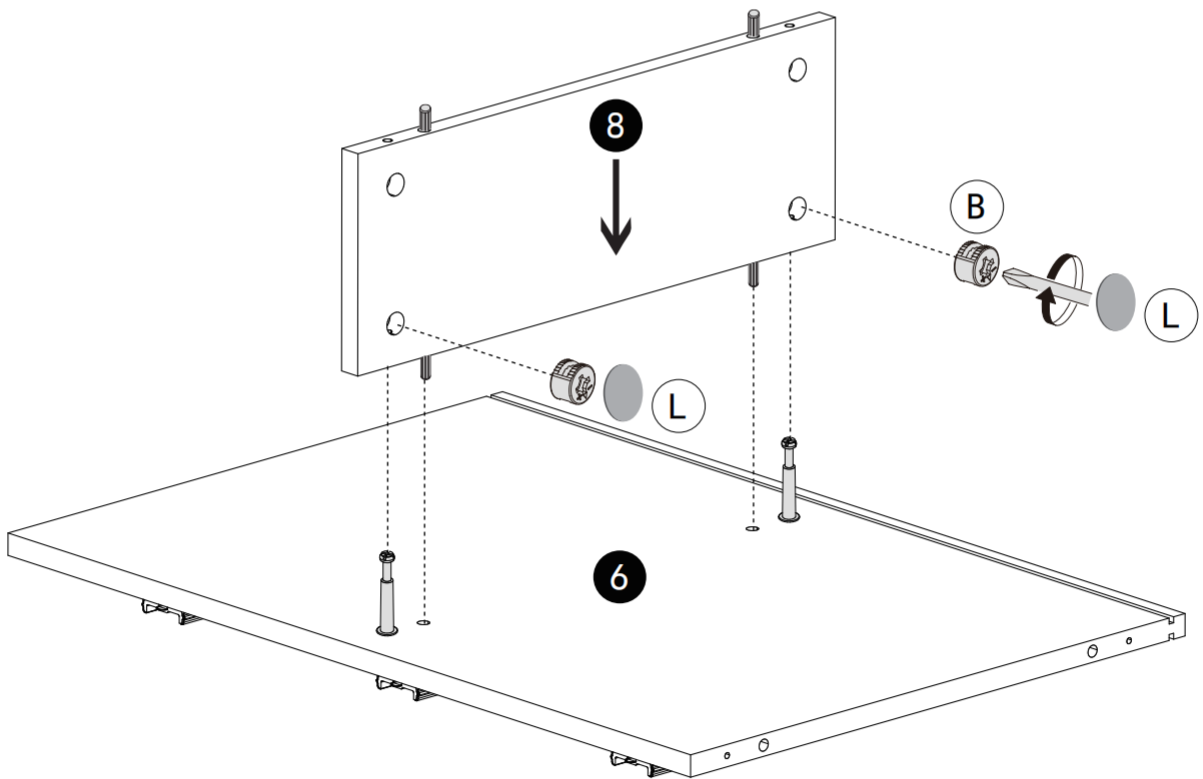
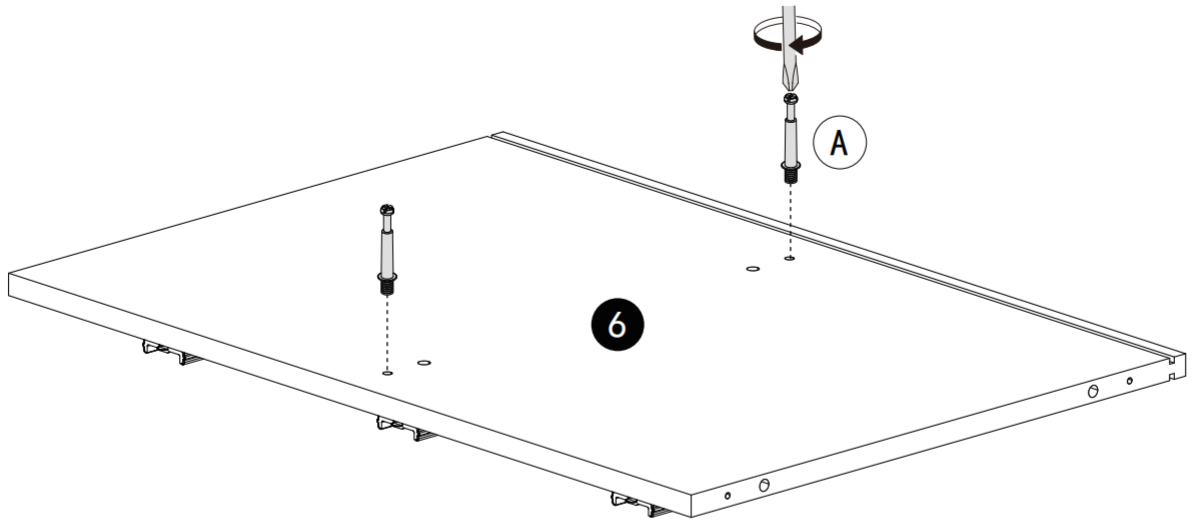
Step:7

YOU WILL NEED

A  x2

B  x2

L  x2



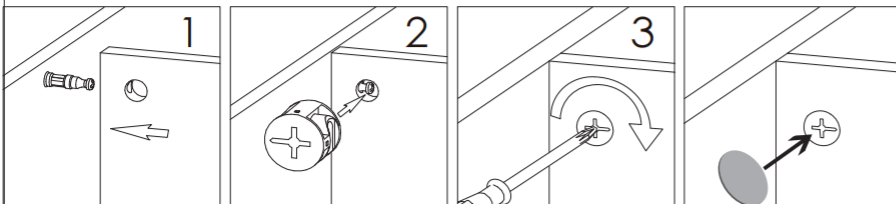
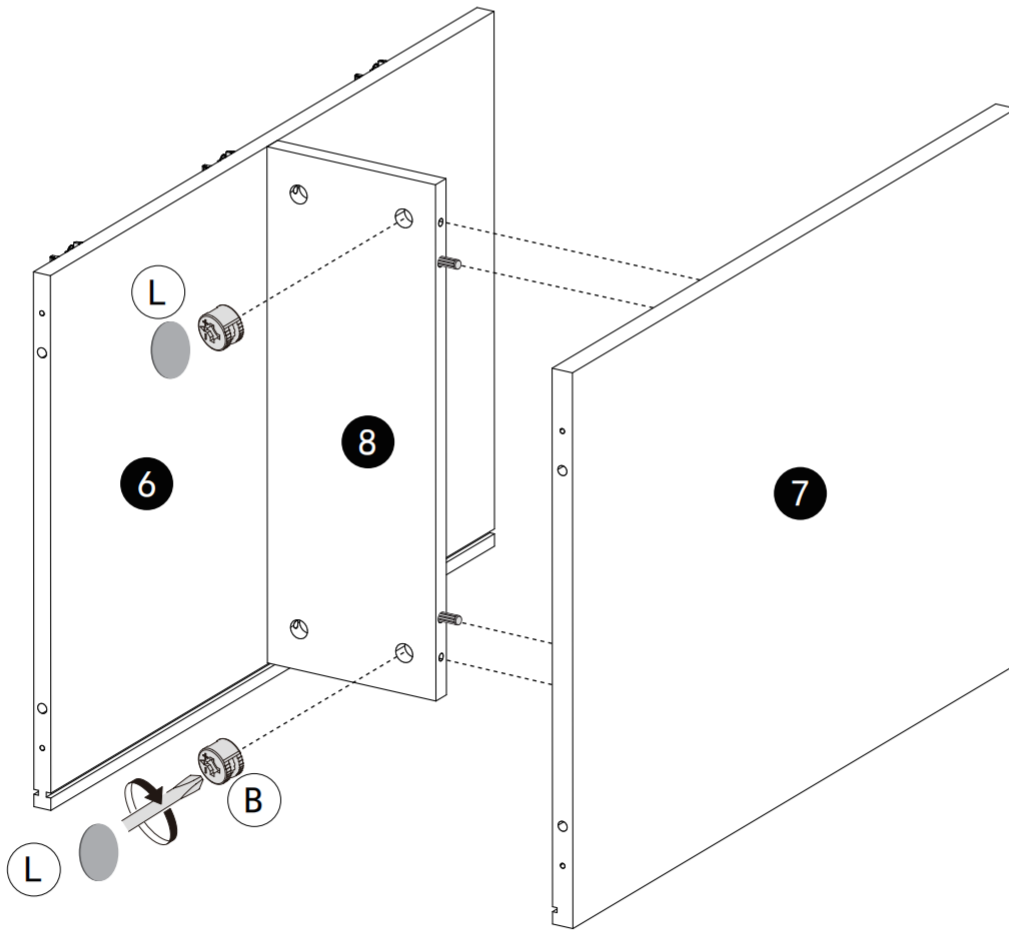
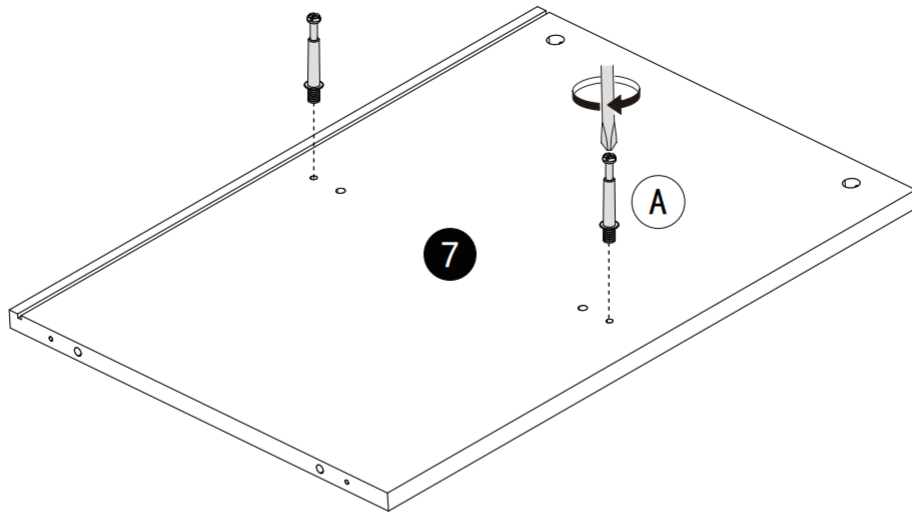
Step:8

YOU WILL NEED

A  x2

B  x2

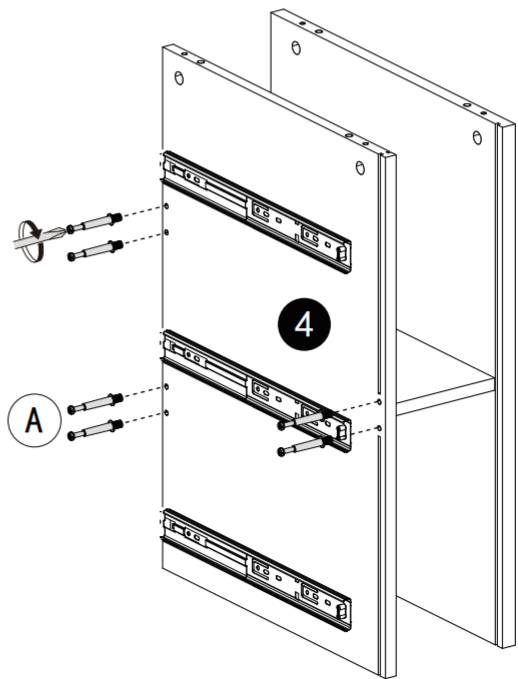
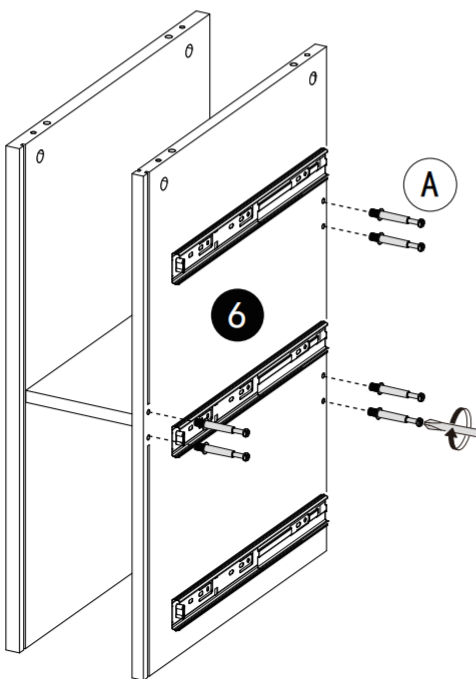
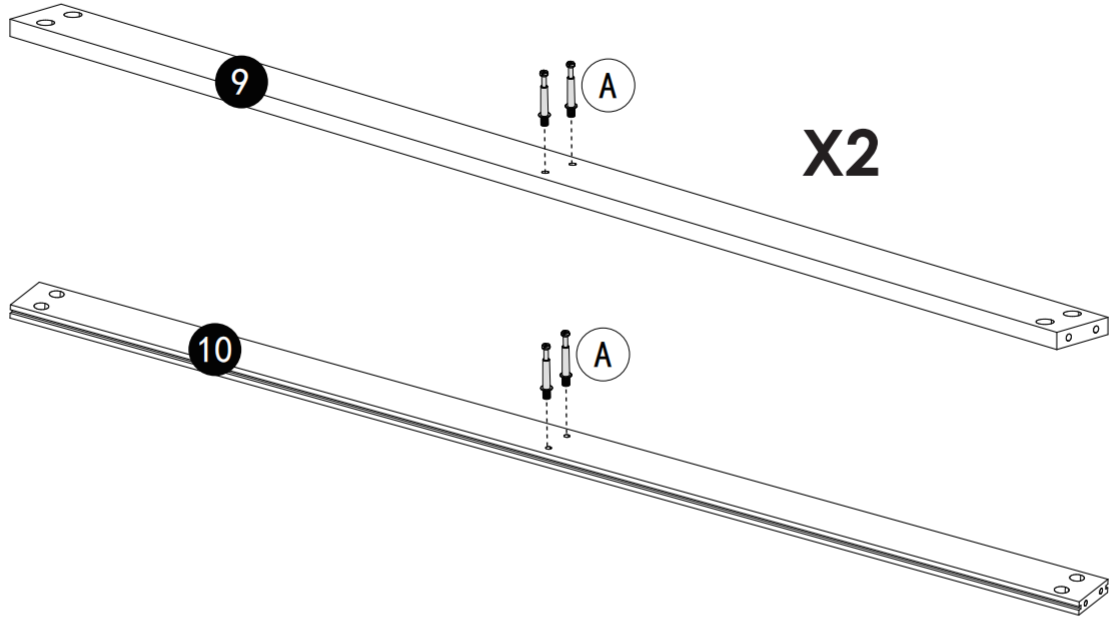
L  x2



Step:9

YOU WILL NEED

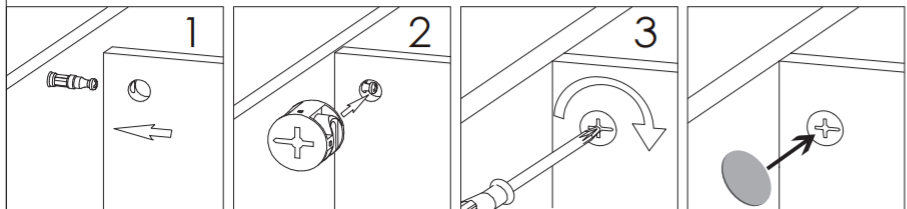
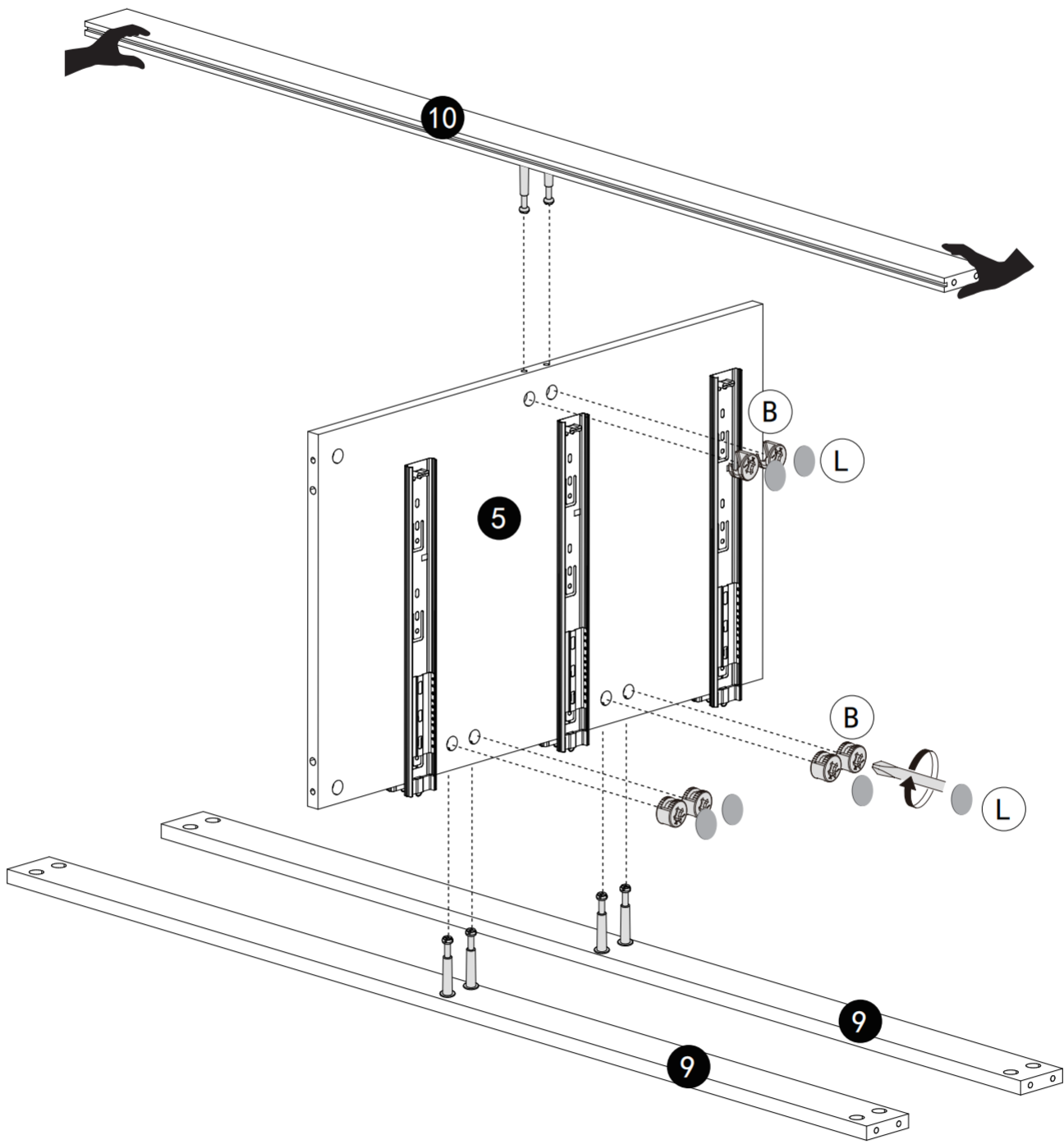
A  x18



Step:10



YOU WILL NEED

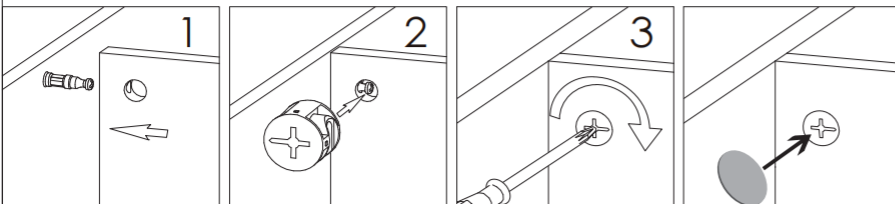
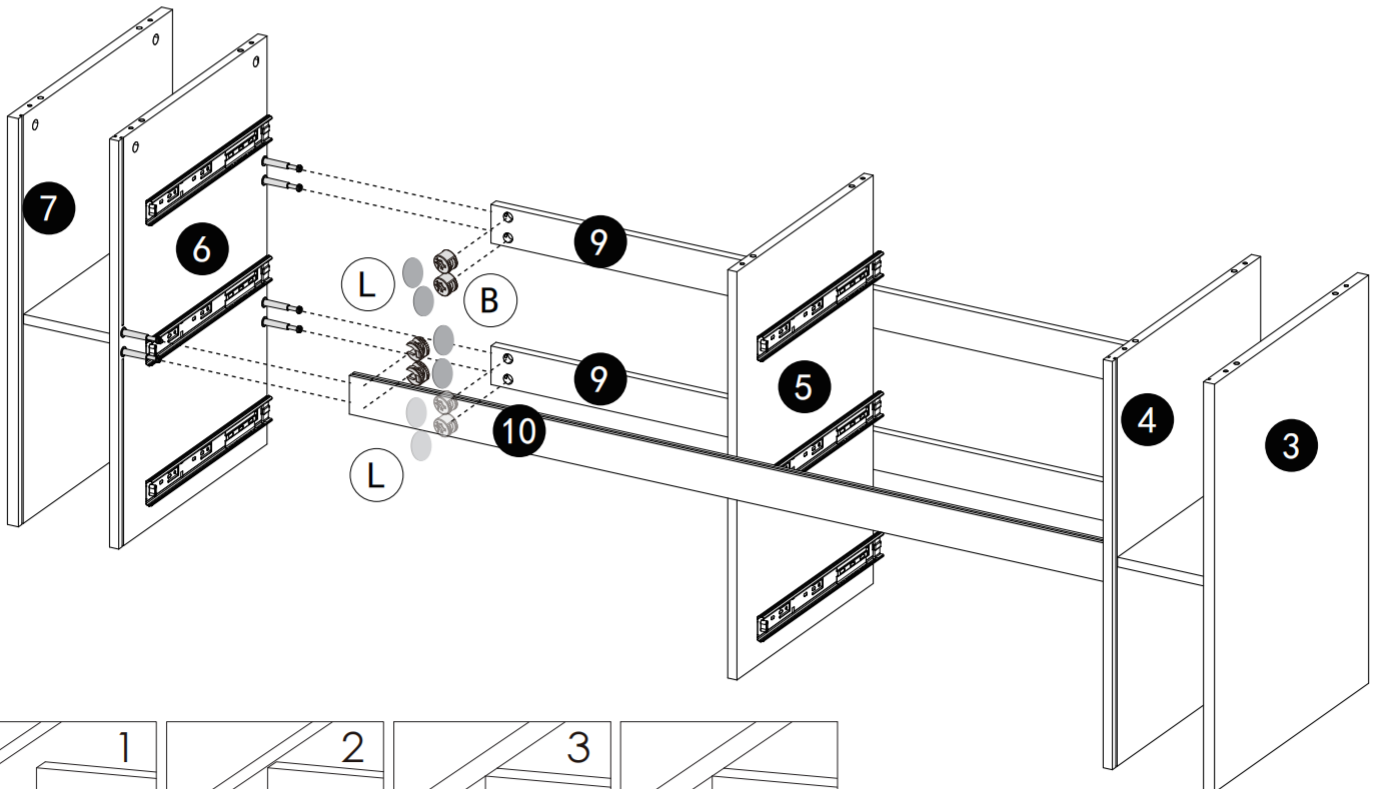
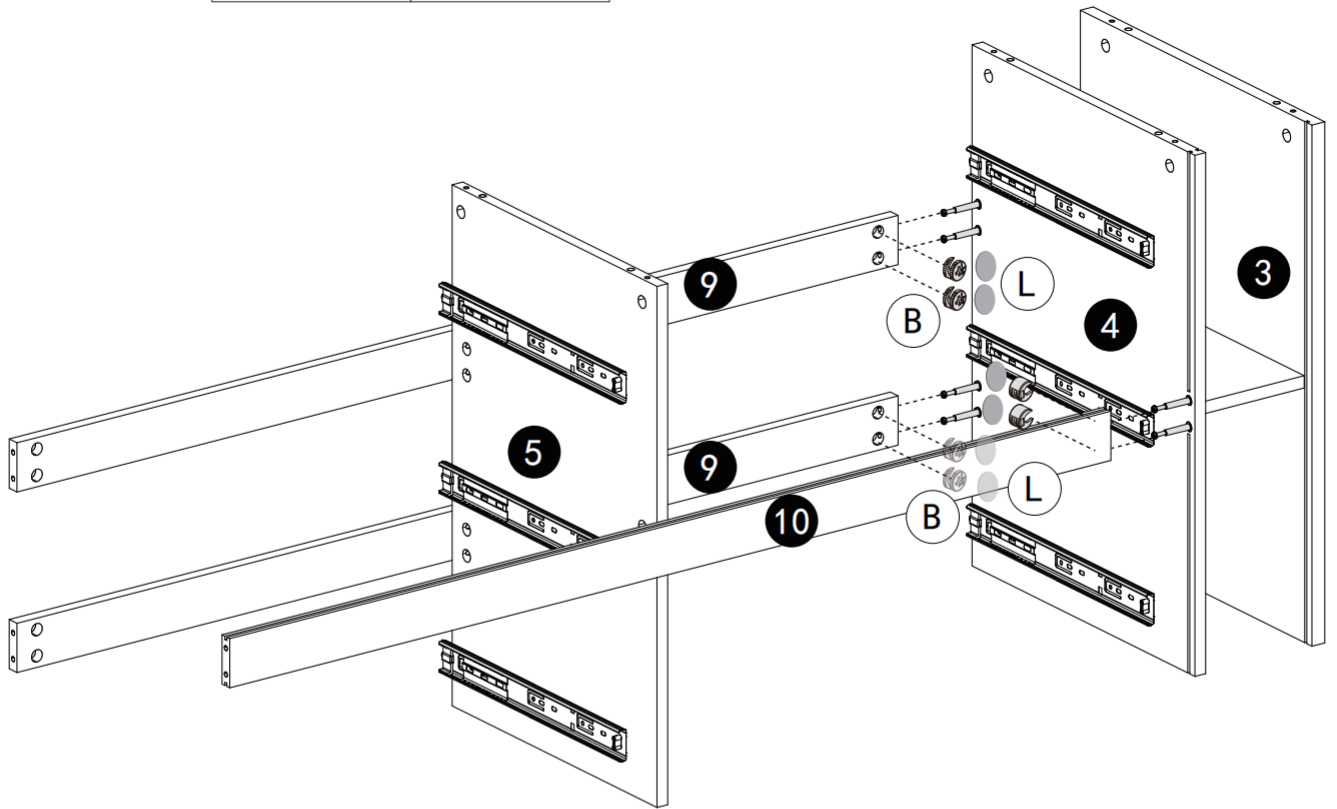
L  x6 B  x6



Step:11


YOU WILL NEED

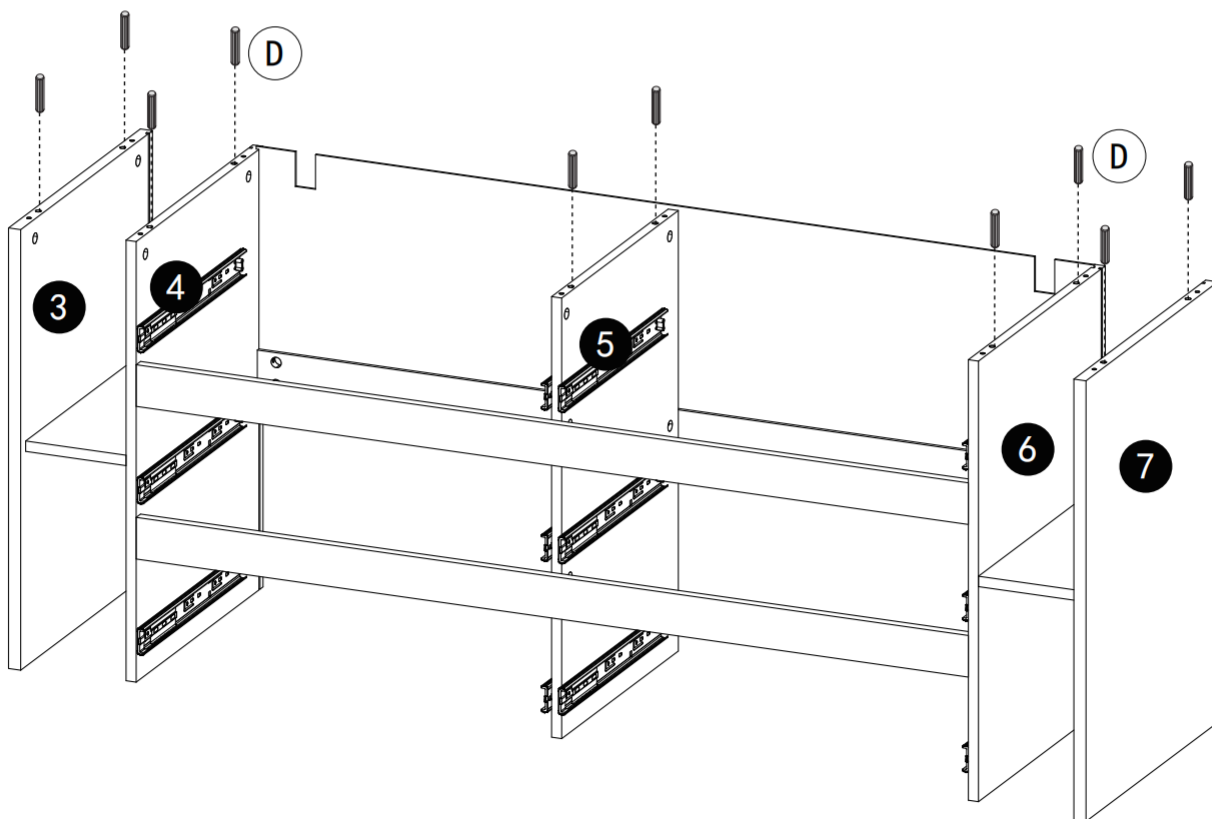
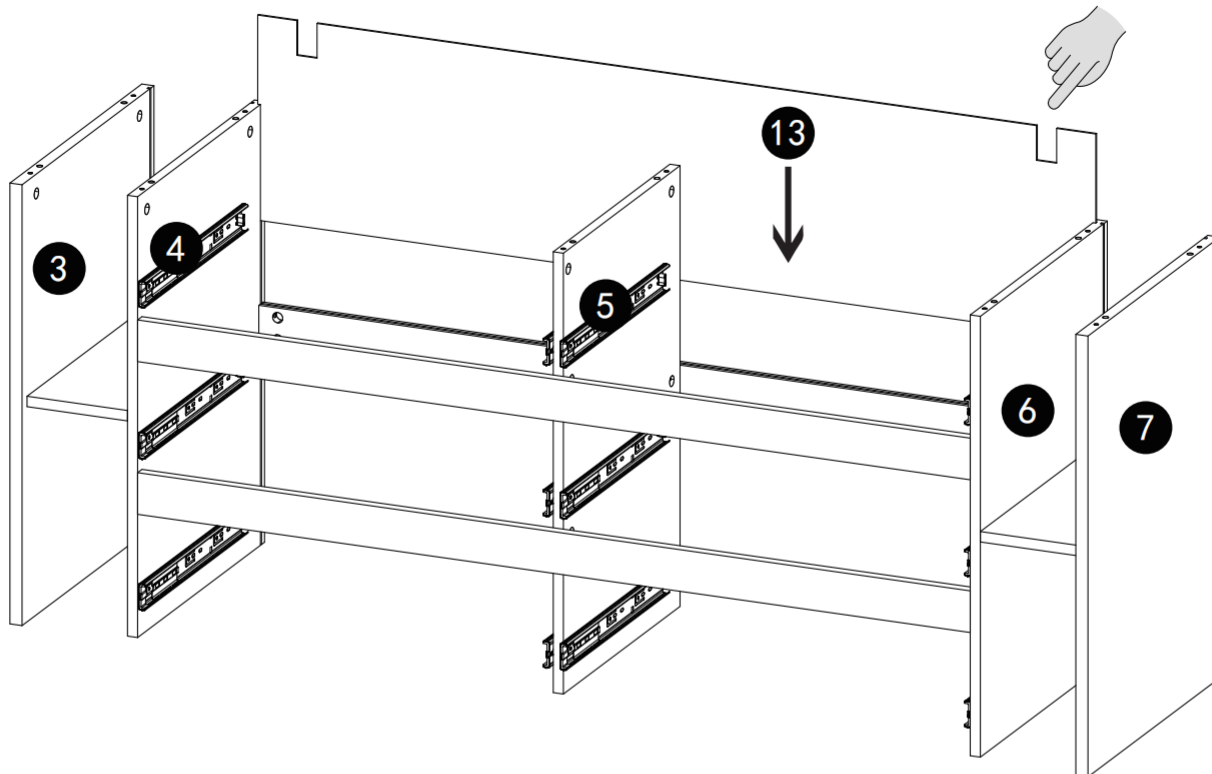
L  x12 **B**  x12



Step:12

YOU WILL NEED

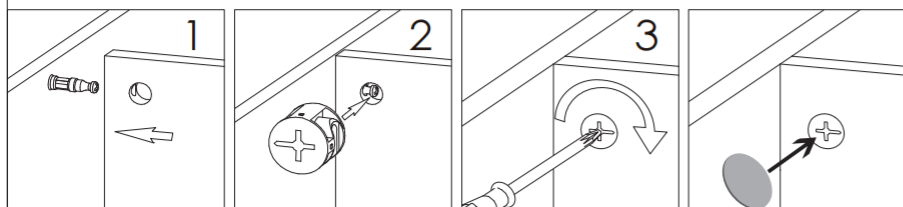
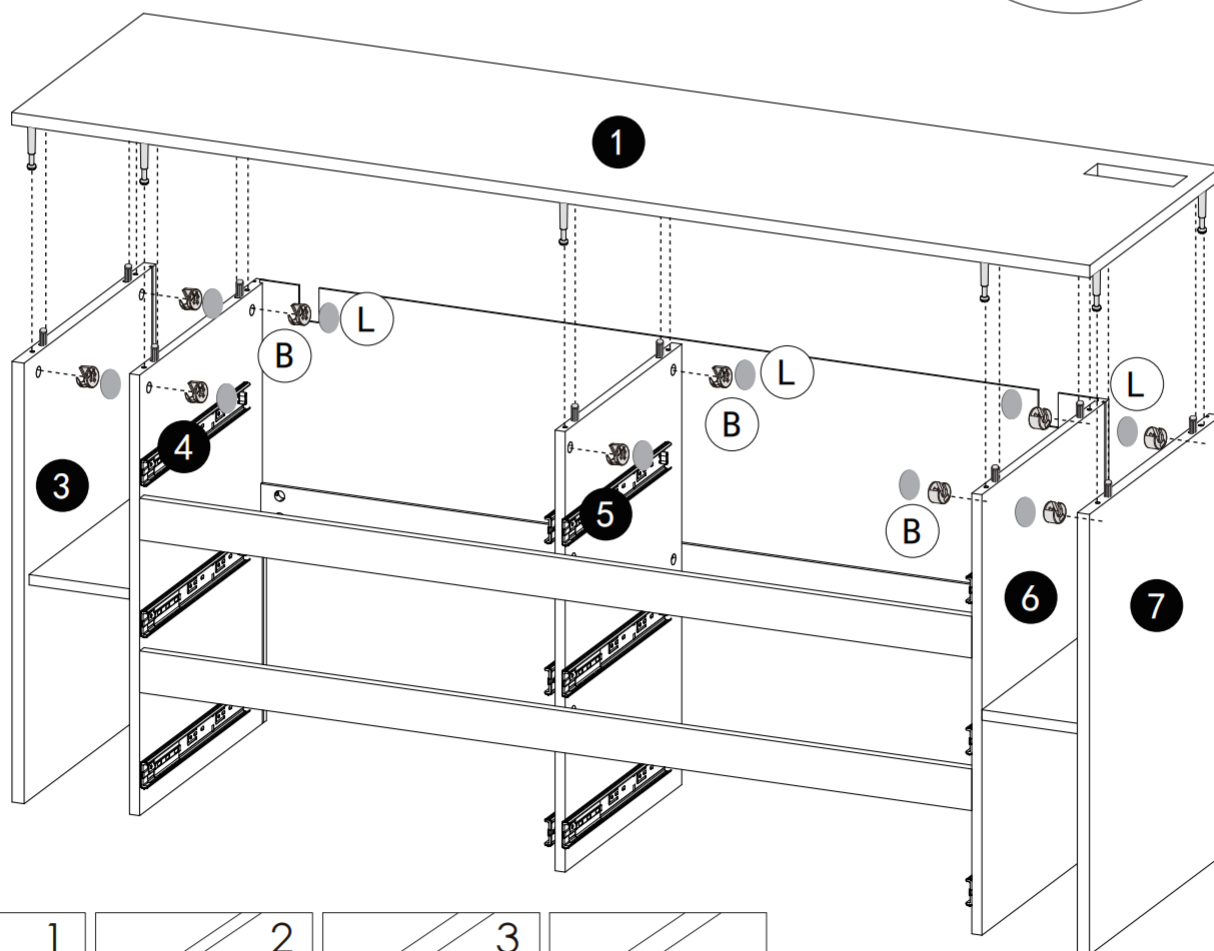
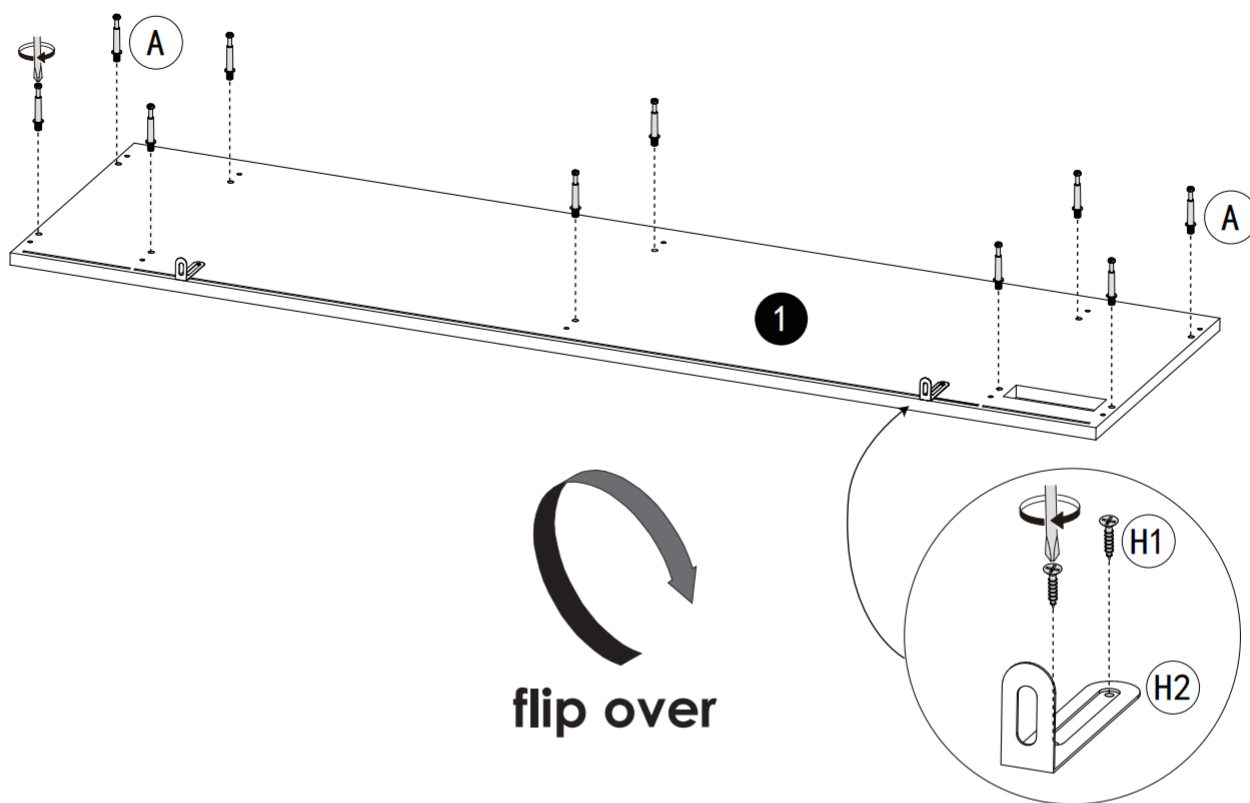
D  x10



Step:13

YOU WILL NEED

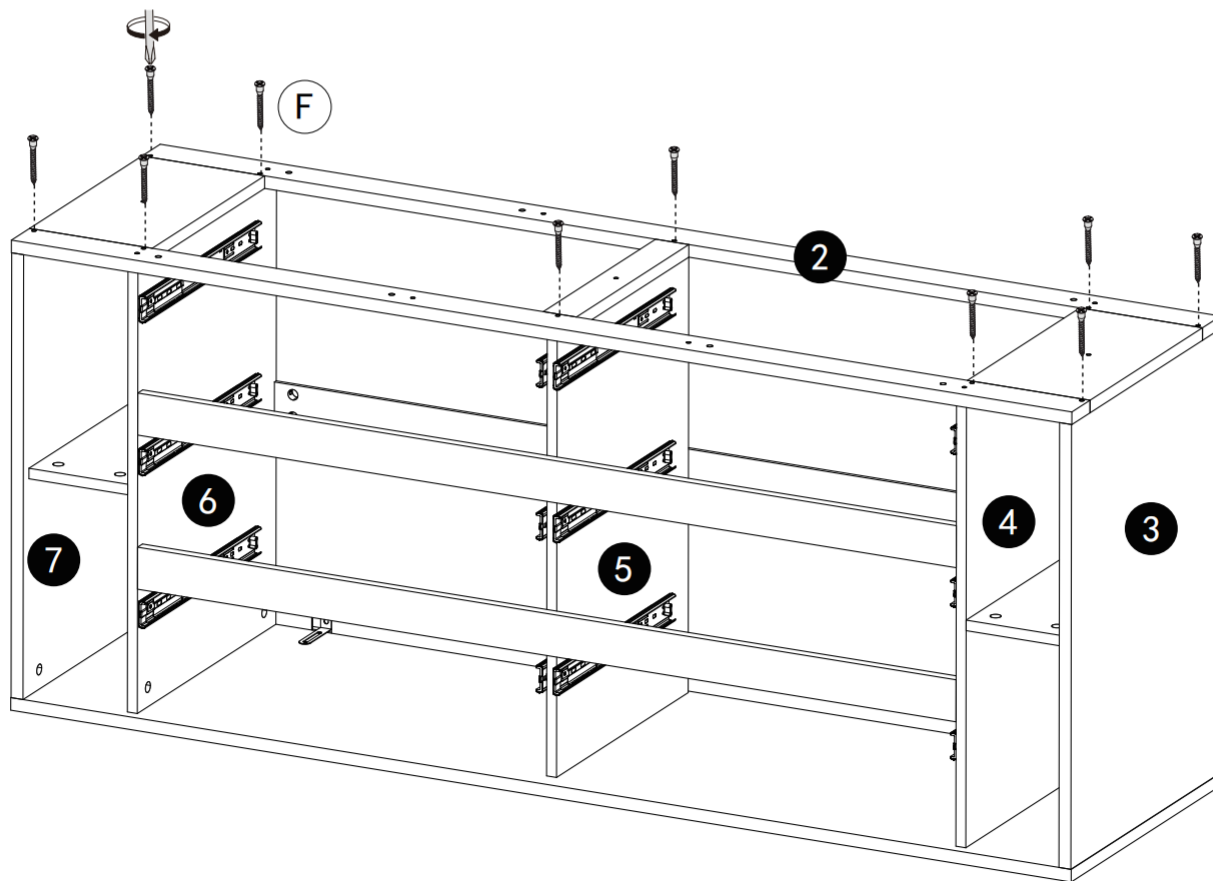
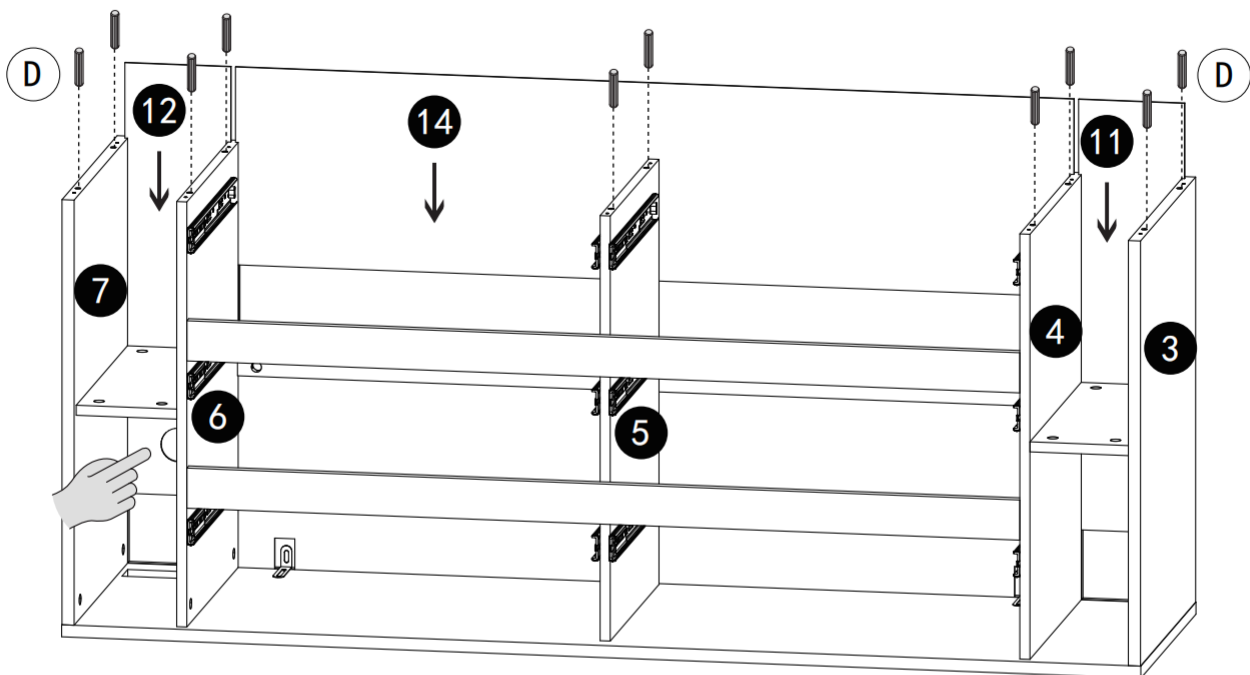
A  x10 **B**  x10 **H1**  x4 **H2**  x2 **L**  x10



Step:14

YOU WILL NEED

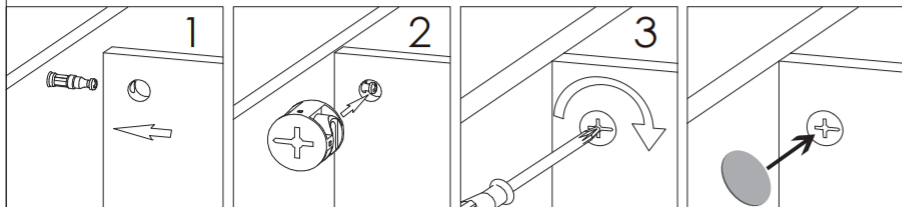
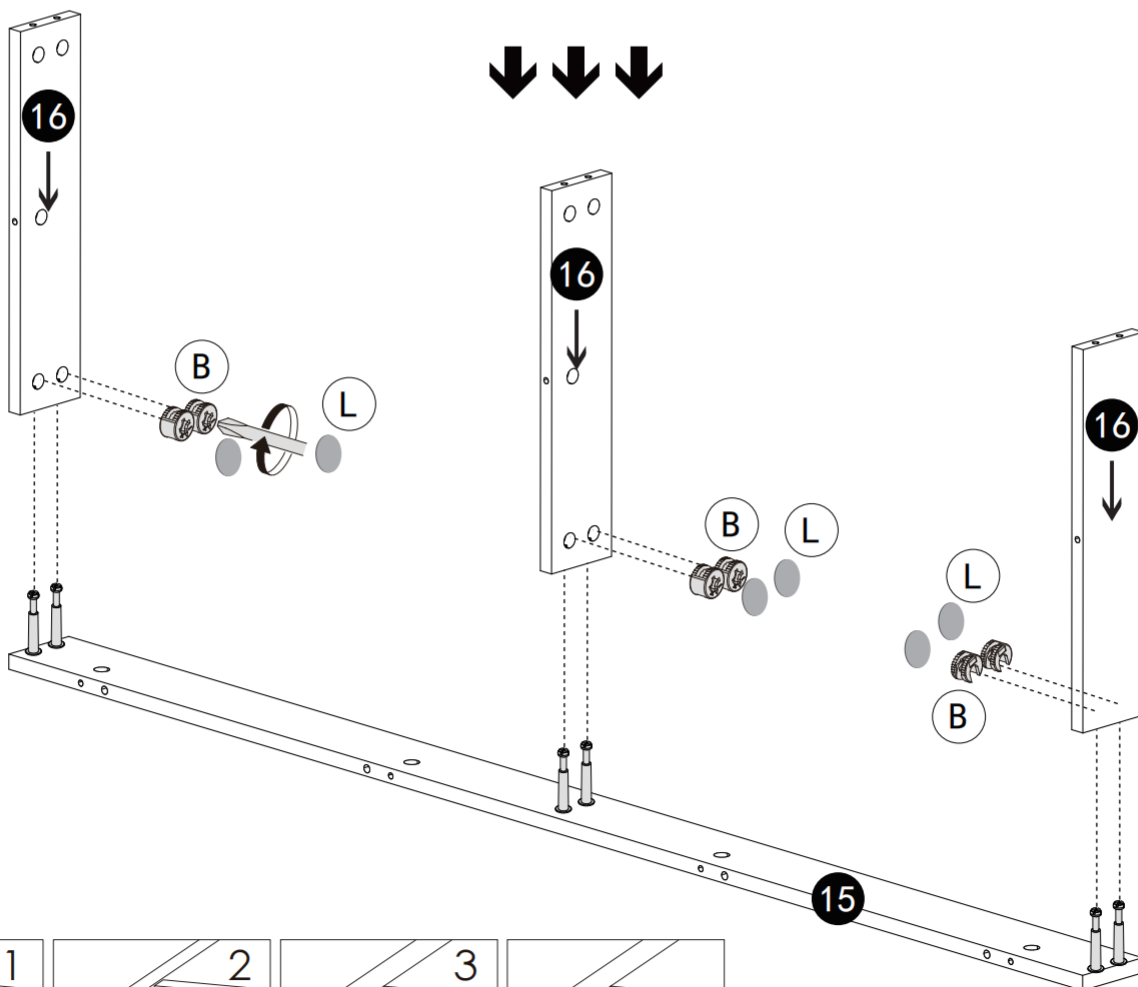
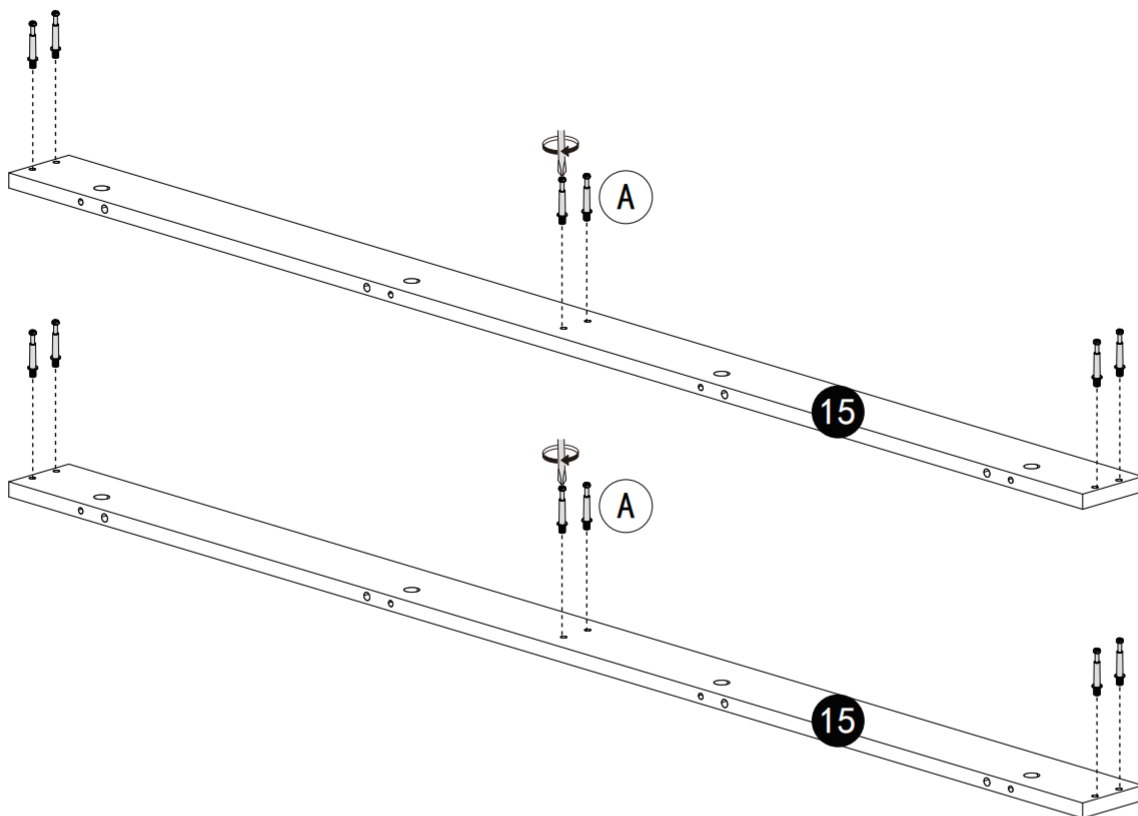
D  x10 | F  x10



Step:15

YOU WILL NEED

A  x12 **B**  x6 **L**  x6



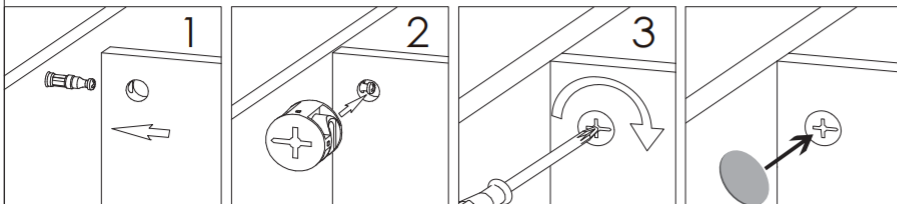
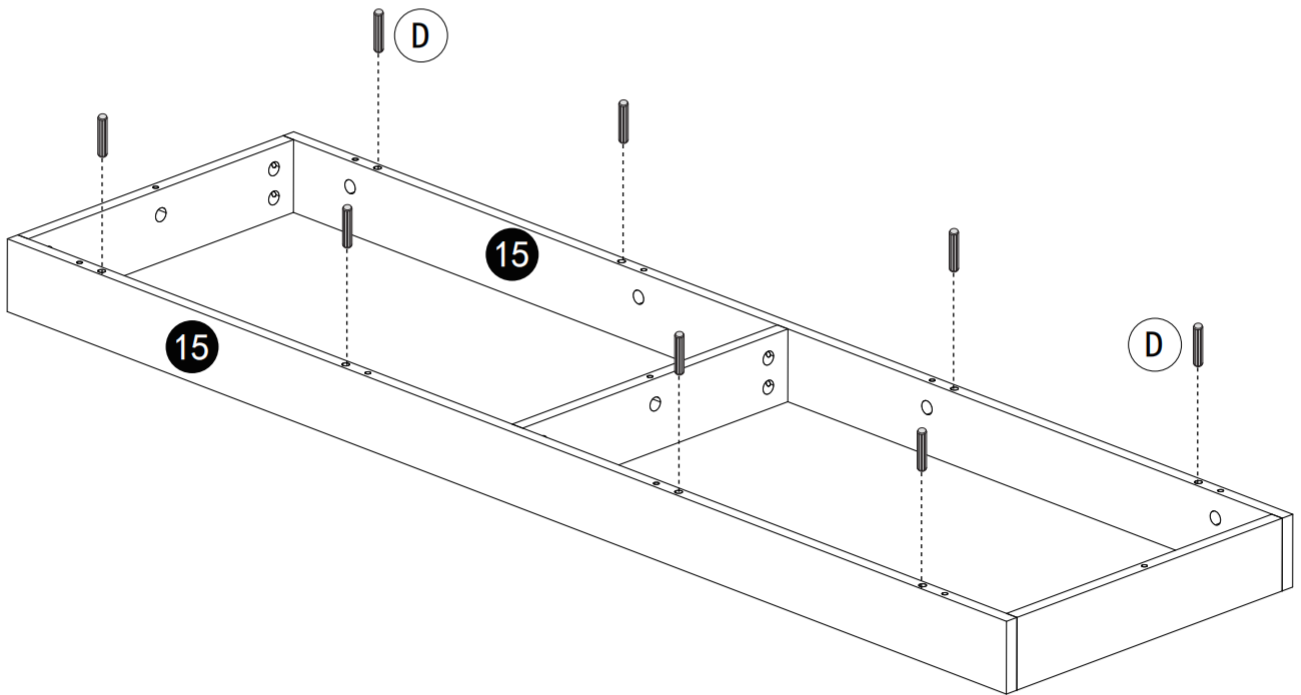
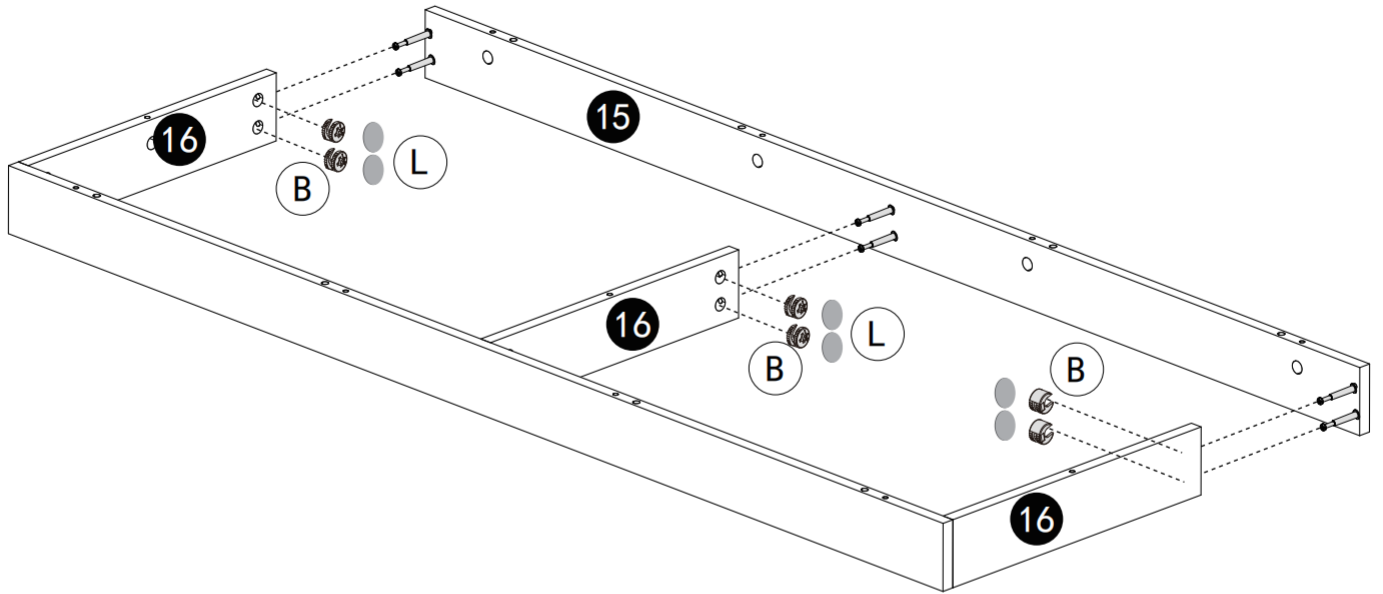
Step:16

YOU WILL NEED

D  x8

B  x6

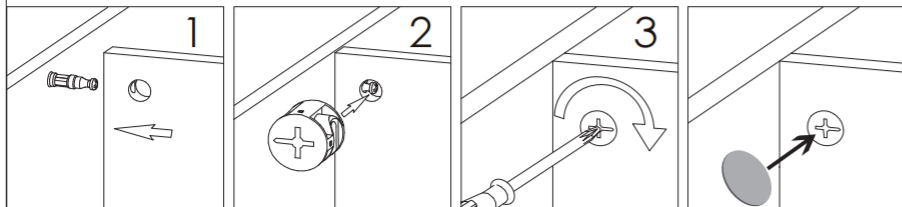
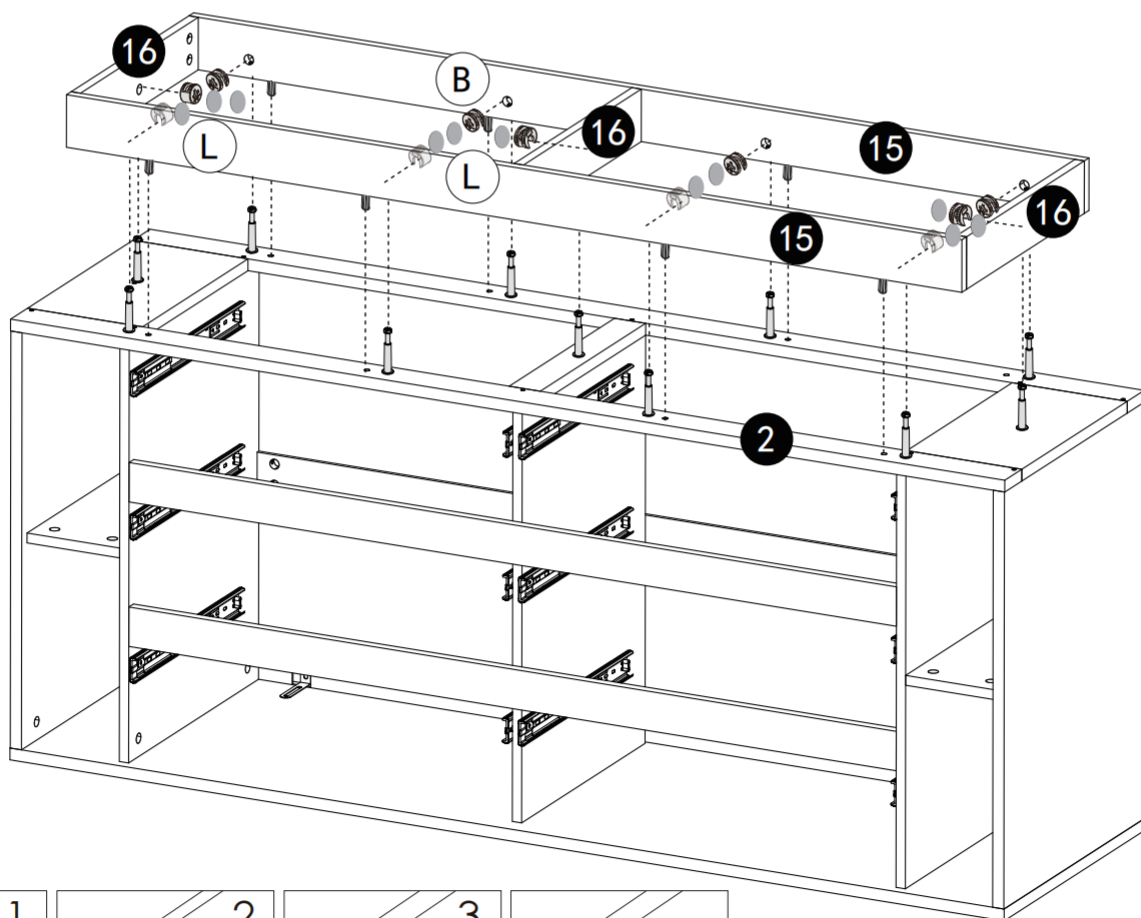
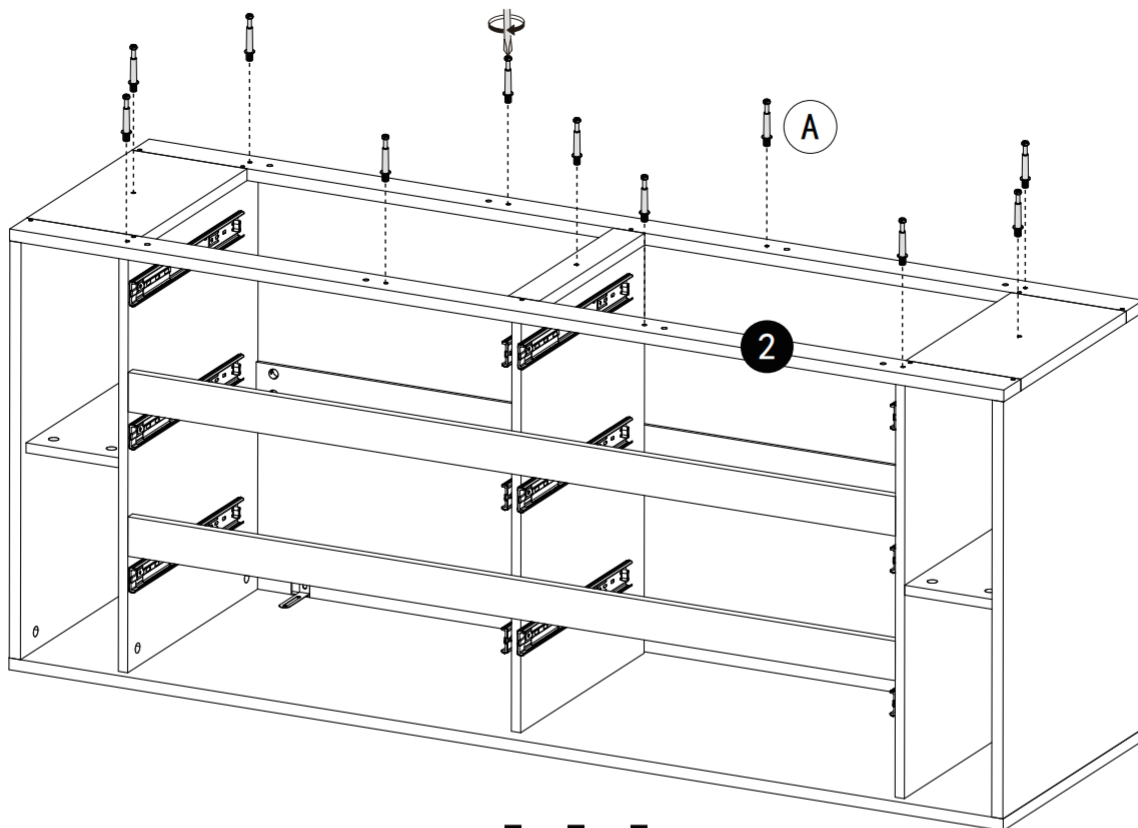
L  x6



Step:17

YOU WILL NEED

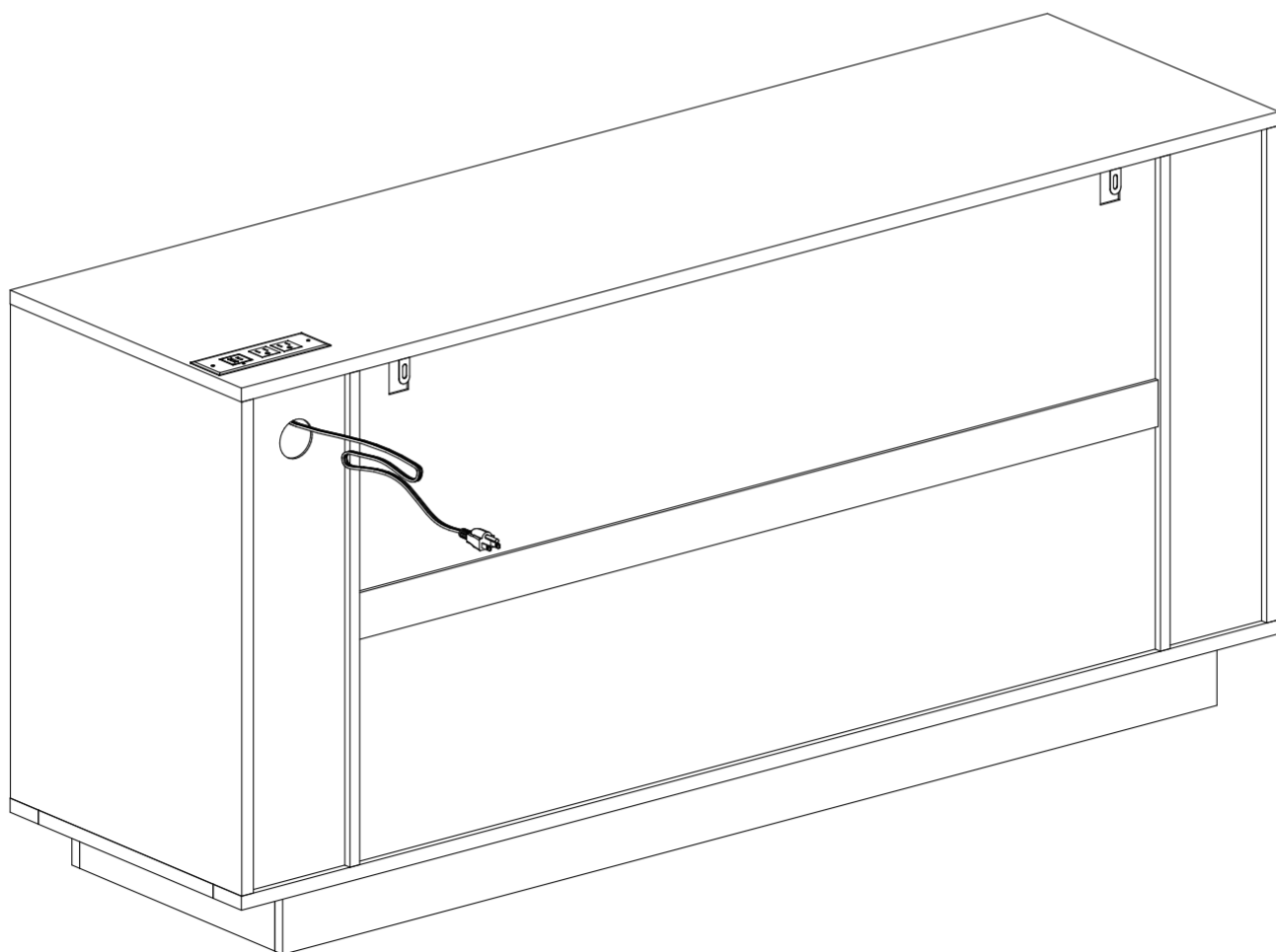
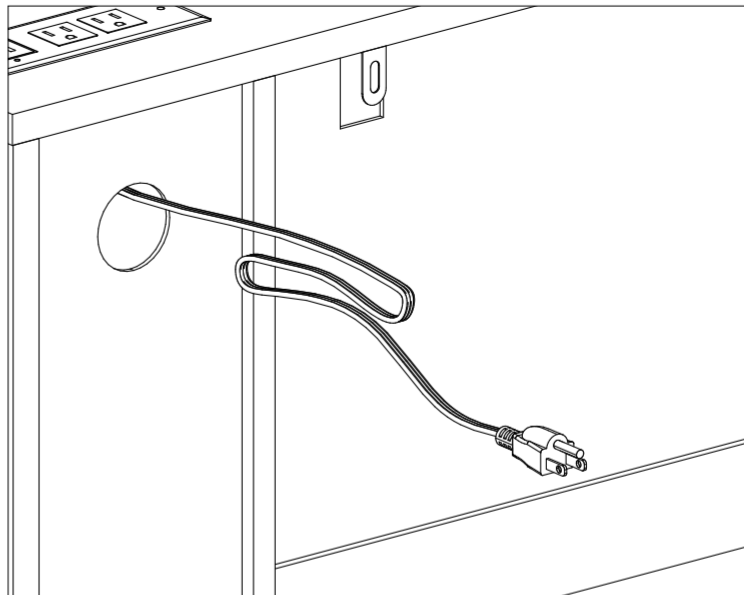
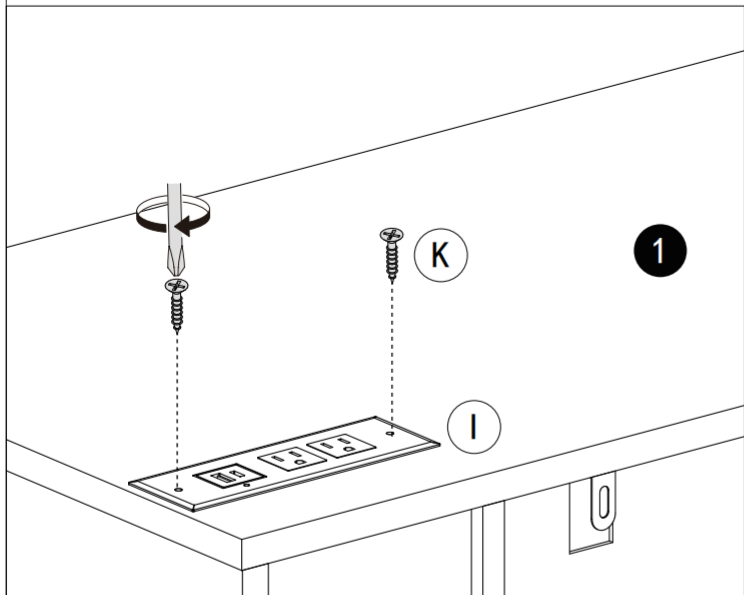
A  x11 B  x11 L  x11



Step:18

YOU WILL NEED

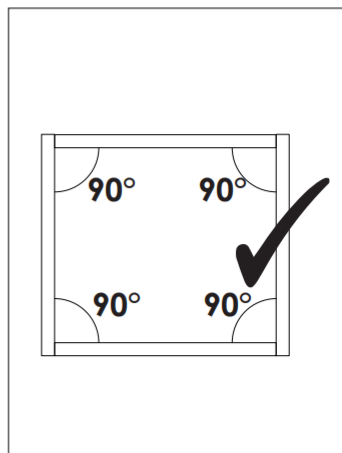
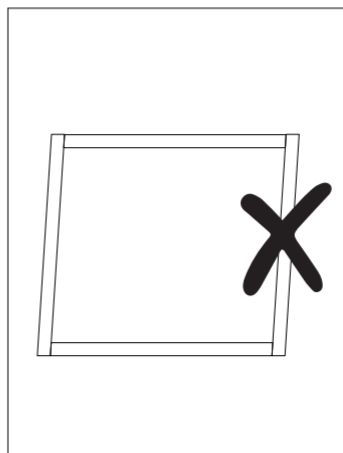
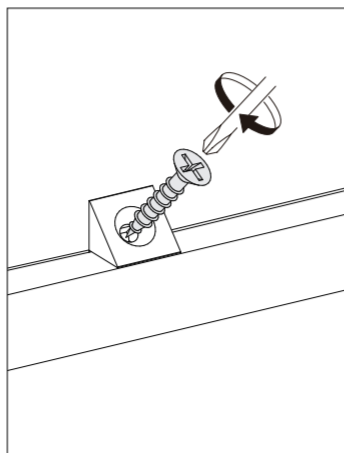
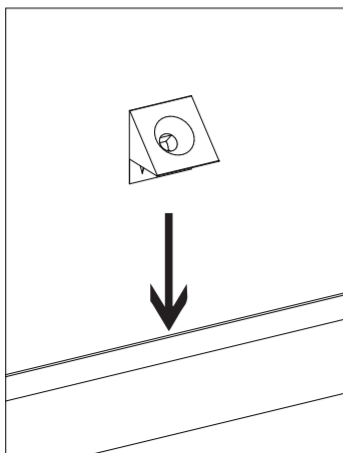
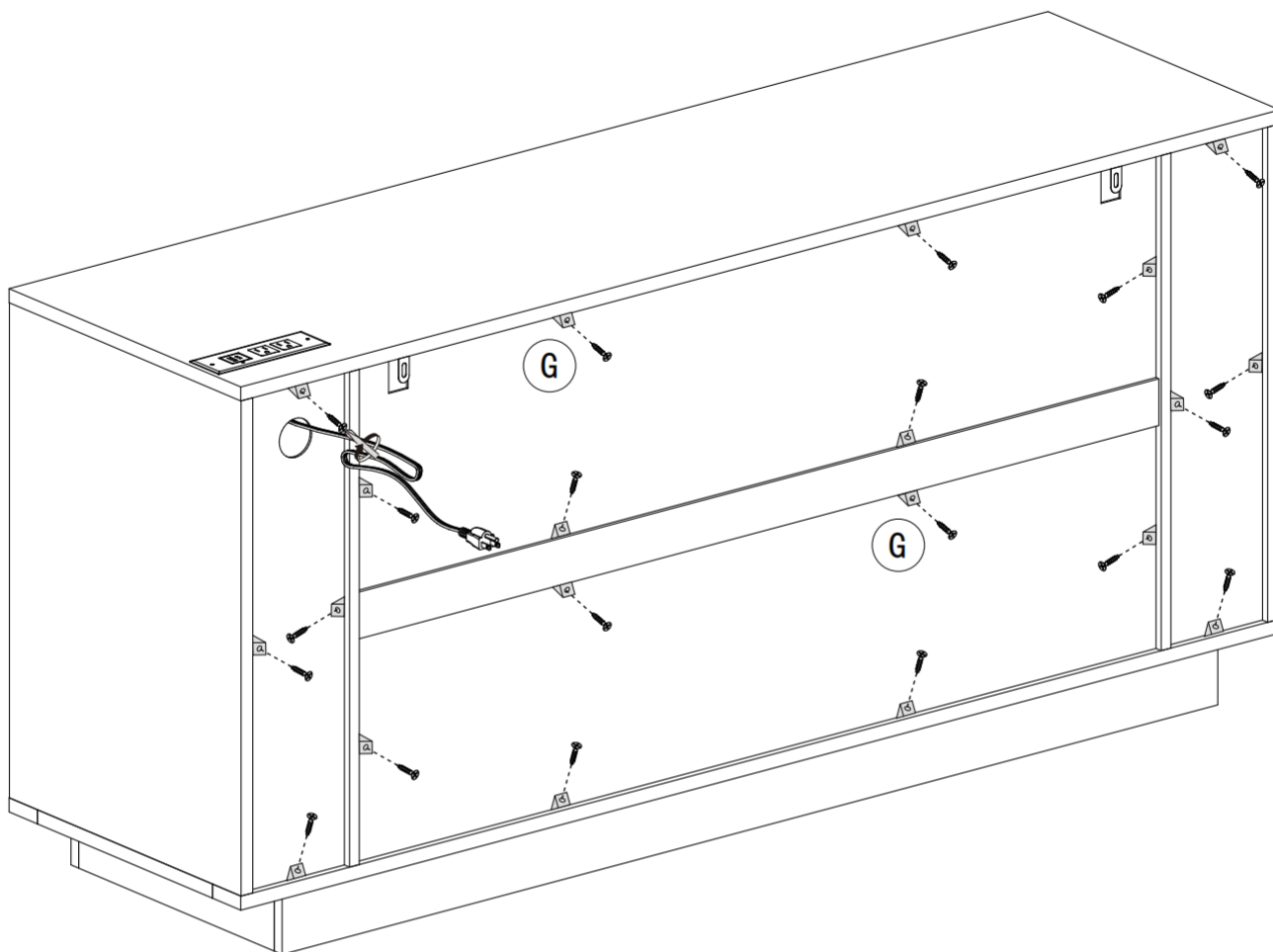
- I  x1 K  x2



Step:19



YOU WILL NEED

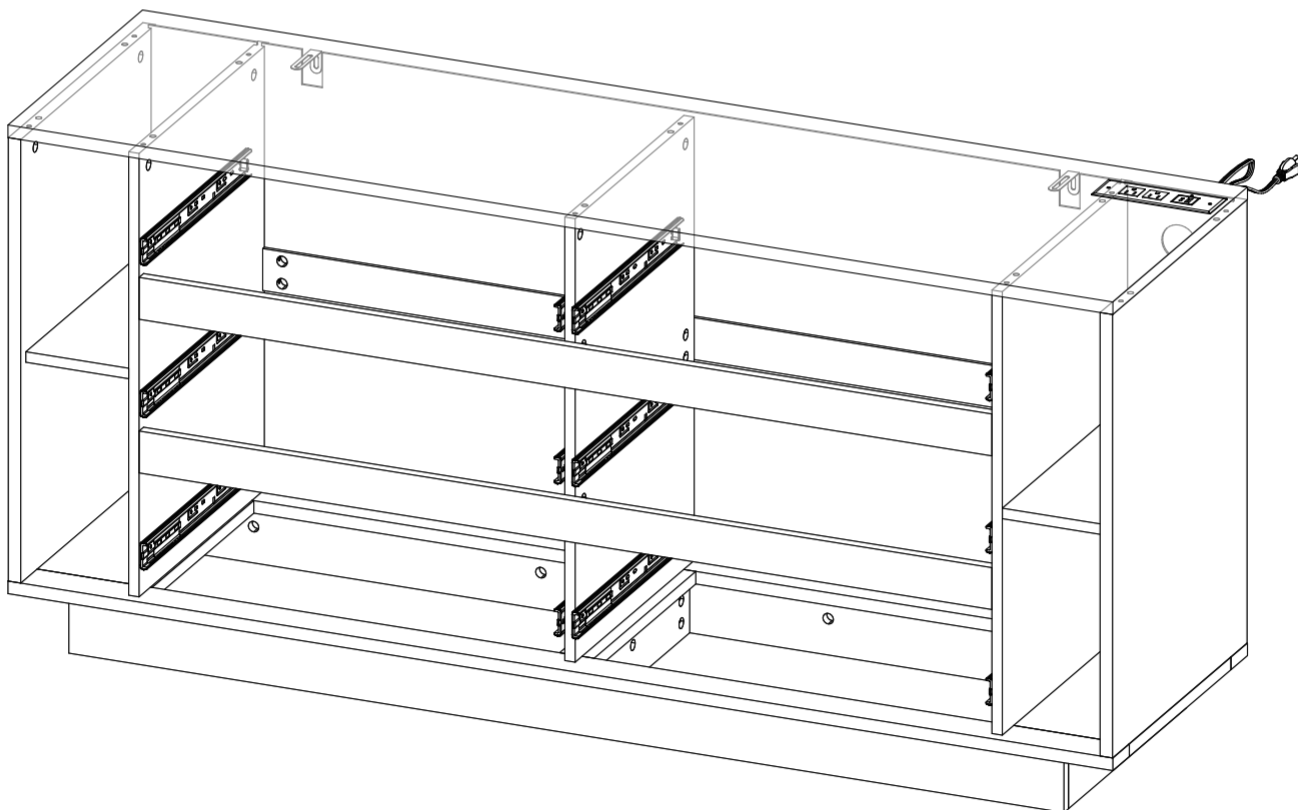
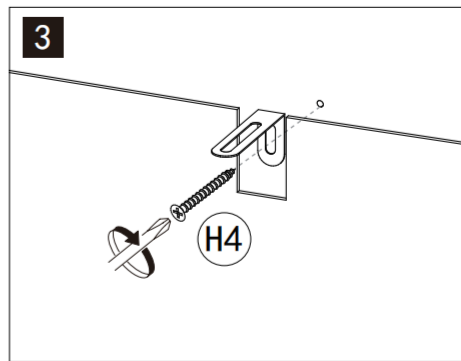
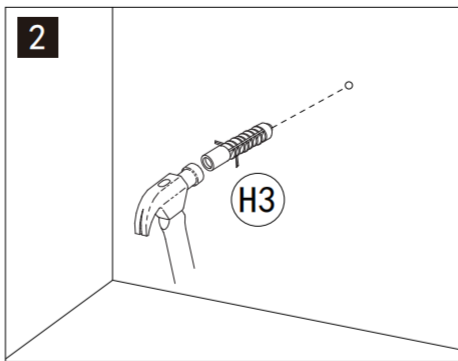
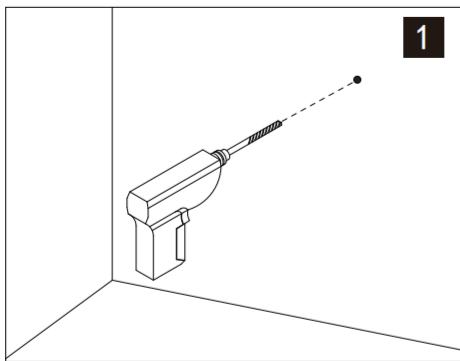
G  x20



Step:20

YOU WILL NEED

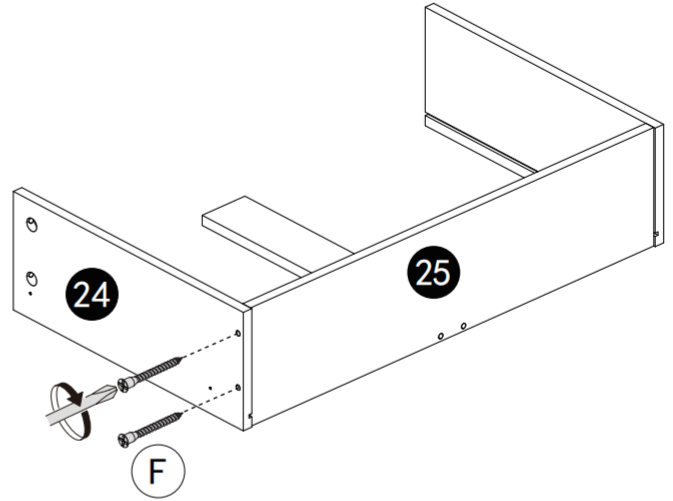
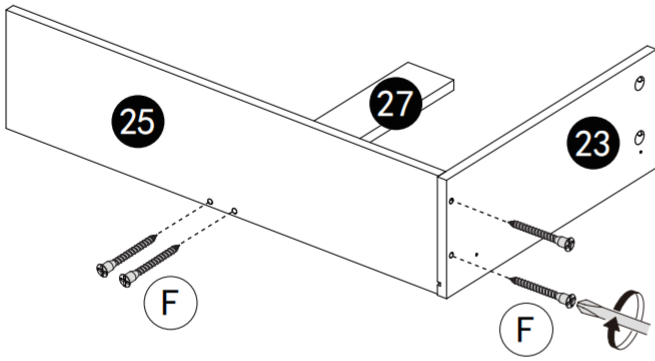
H3  x2 H4  x2



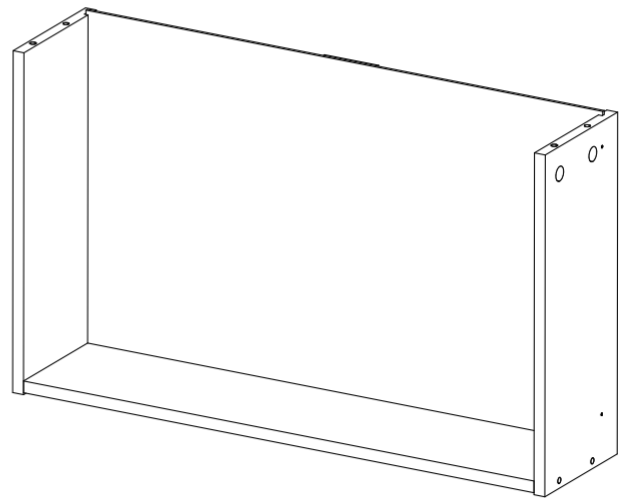
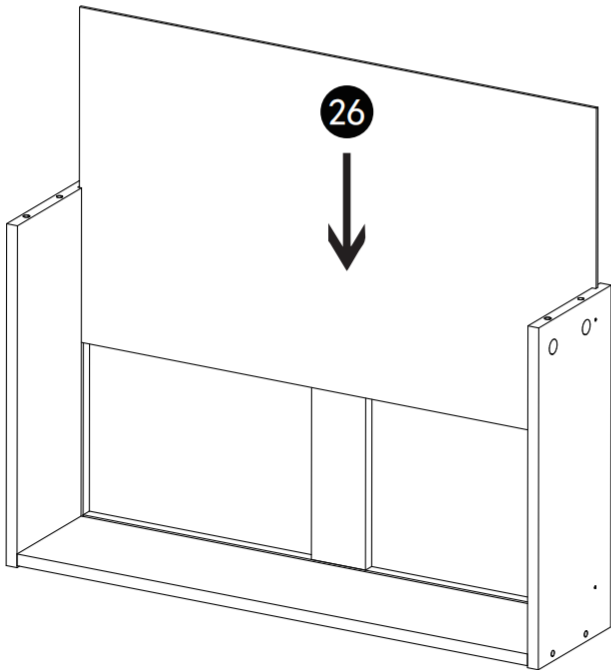
Step:21

YOU WILL NEED

F  x36



X6

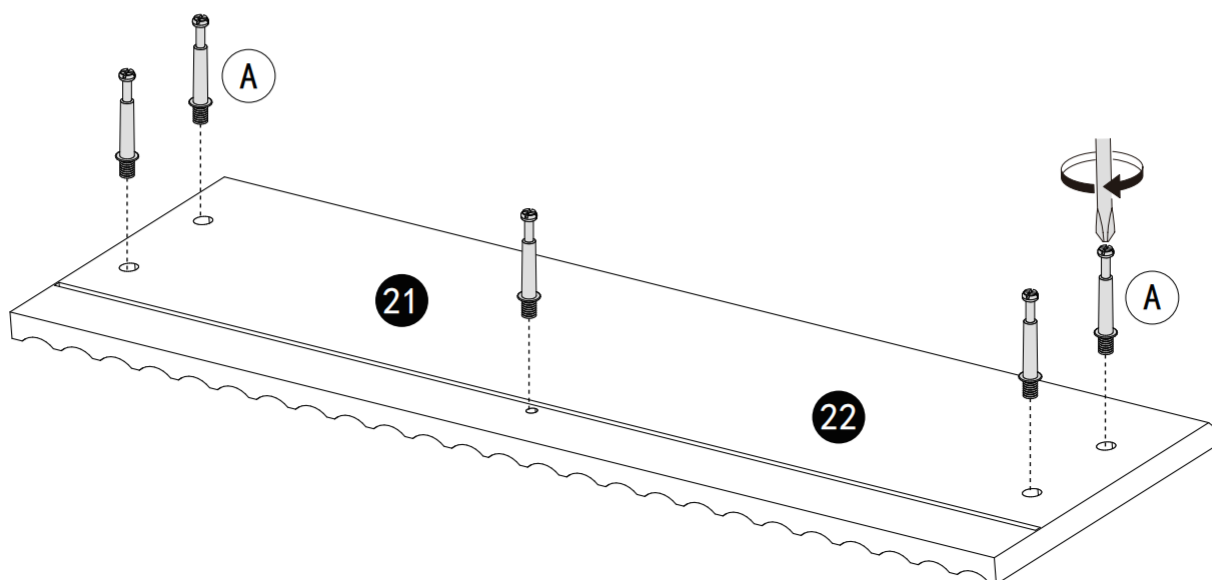
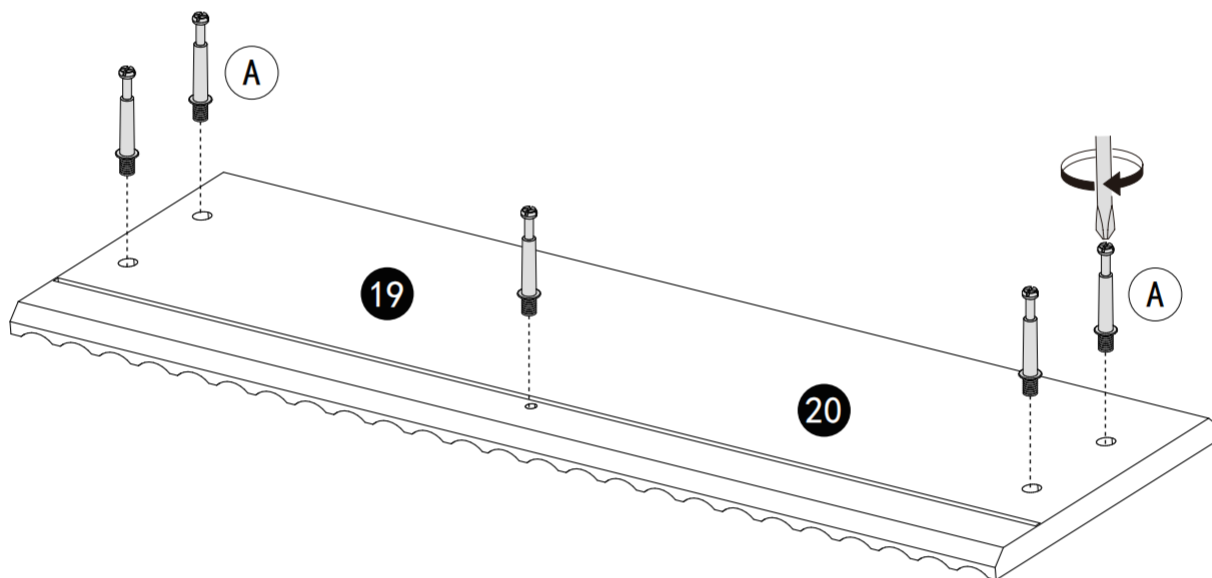
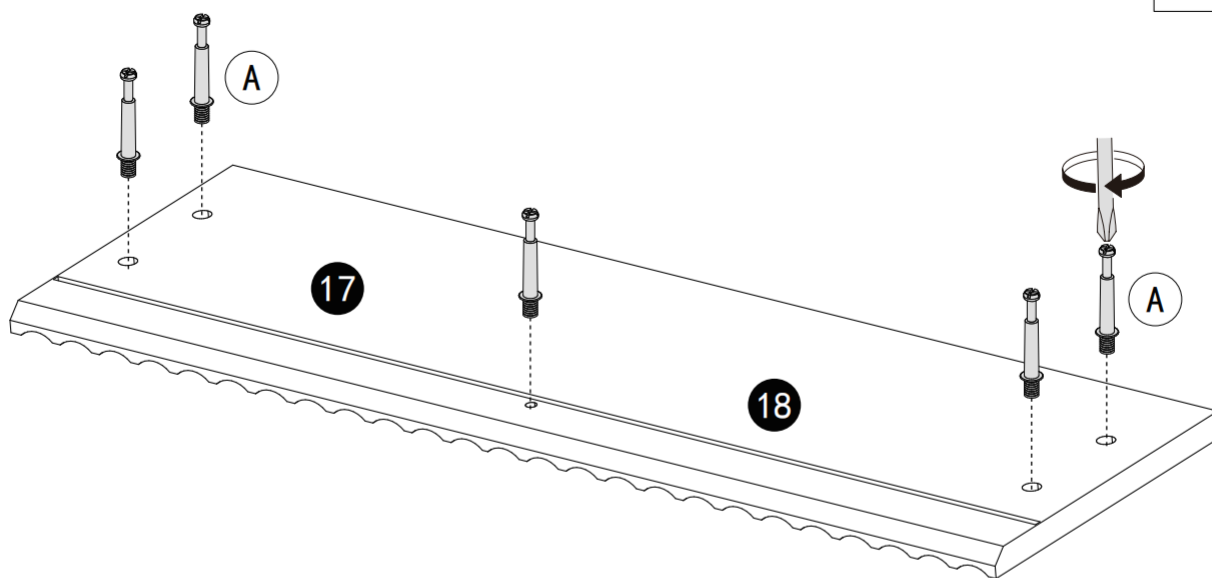


Step:22

YOU WILL NEED

A  x30

X6

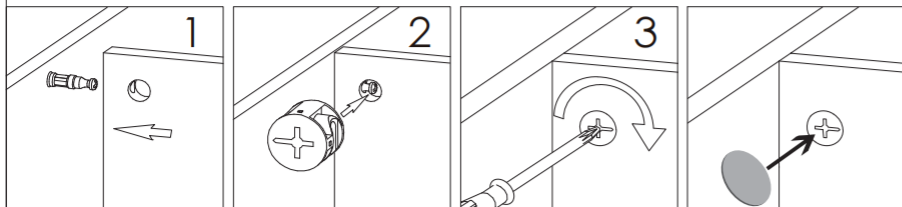
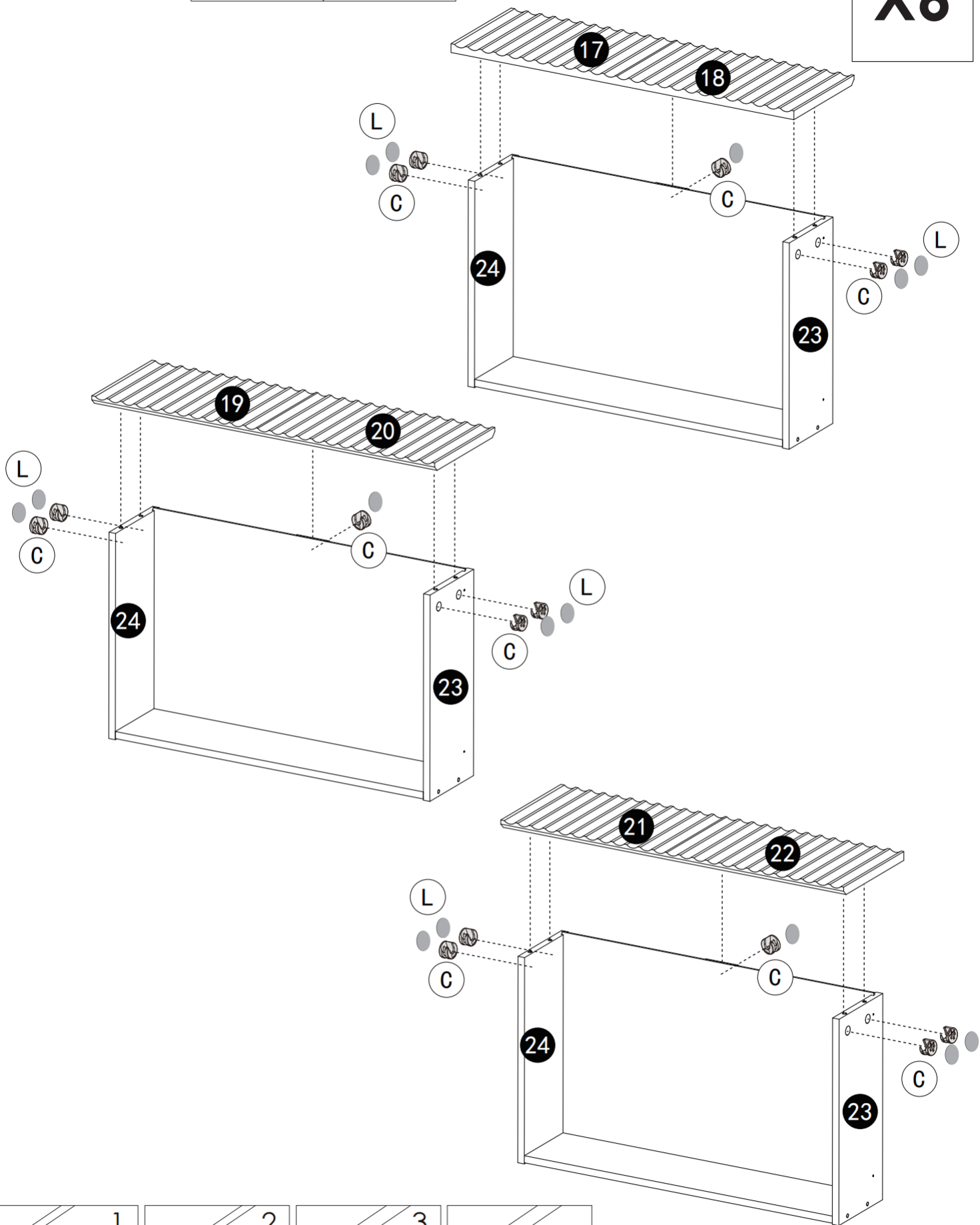


Step:23

YOU WILL NEED

L ● x30 C ⚙ x30

X6

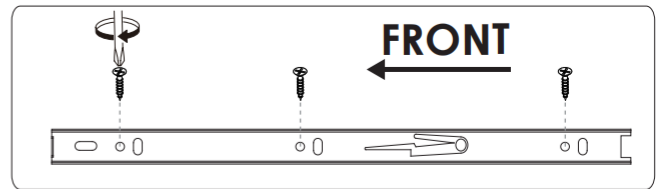


Step:24

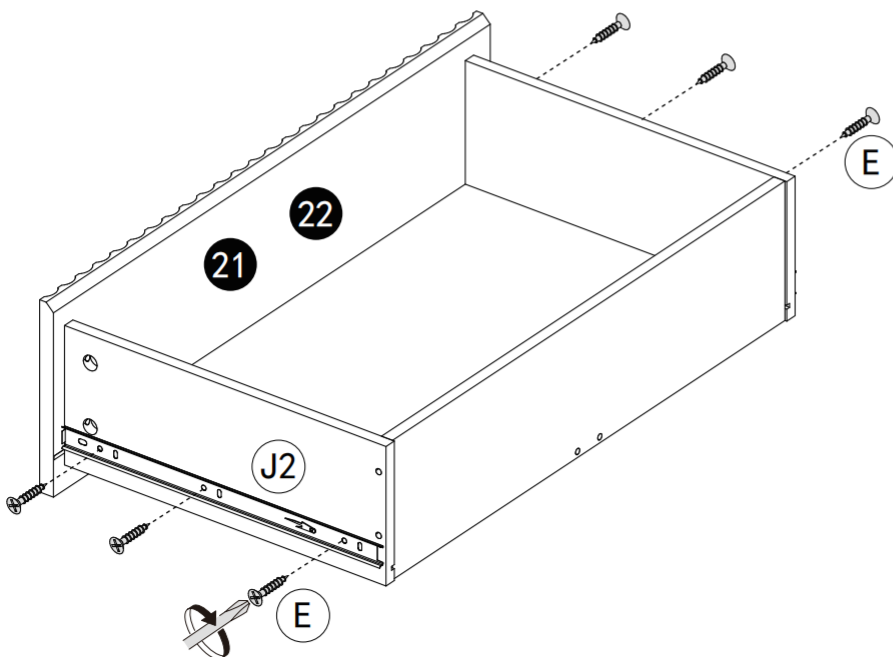
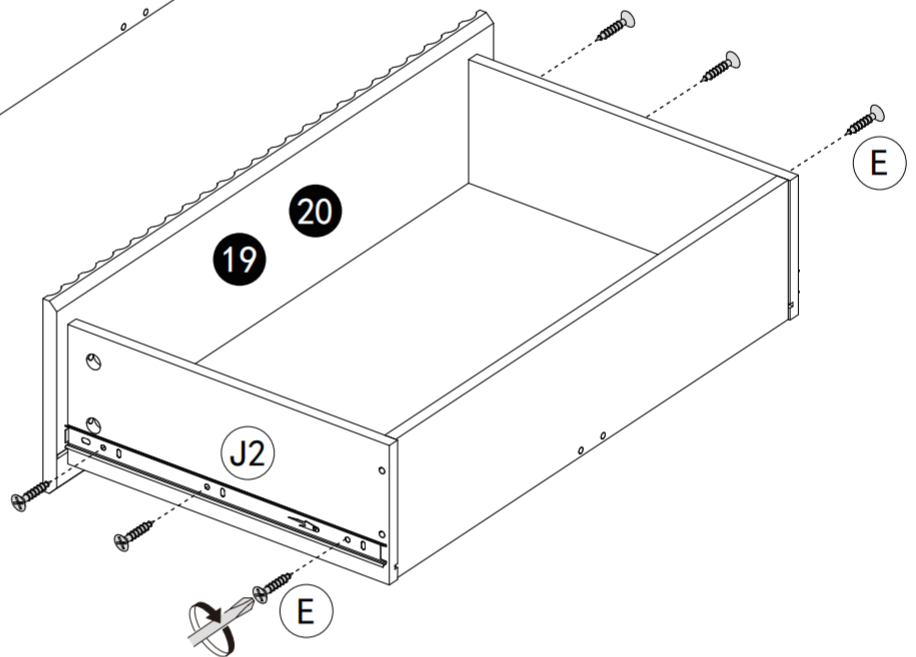
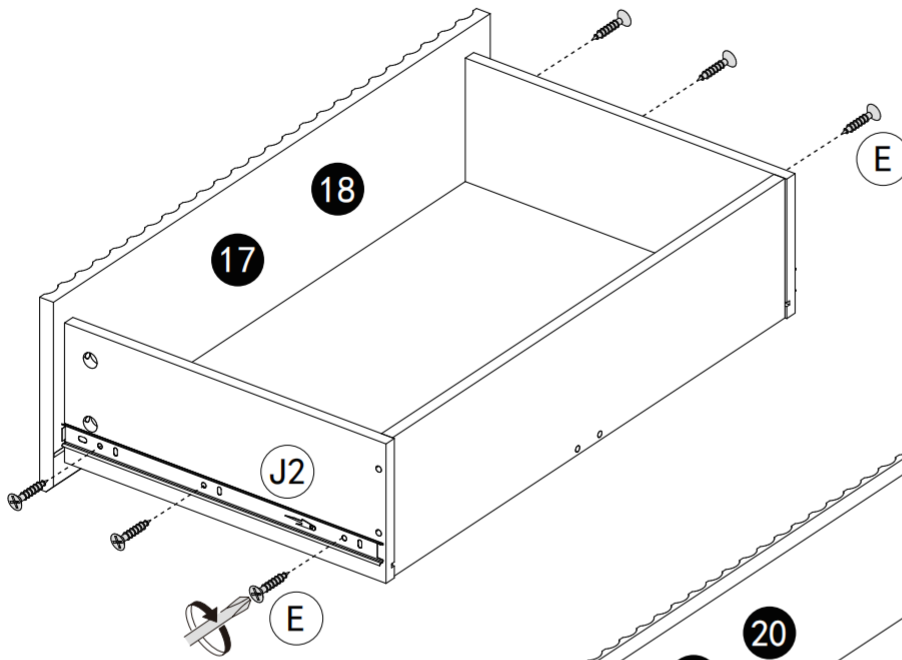
YOU WILL NEED

J2  x12

E  x36



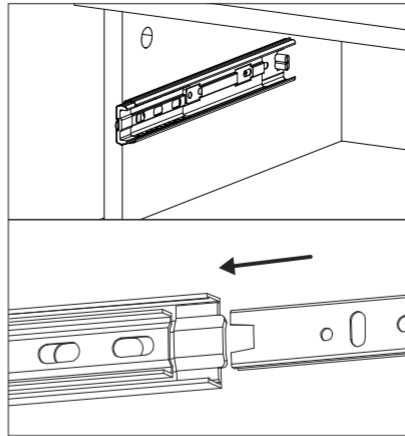
X6



Step:25

REMARK: Align the slide runners on the drawer with the unit and push it carefully inside until it stops.

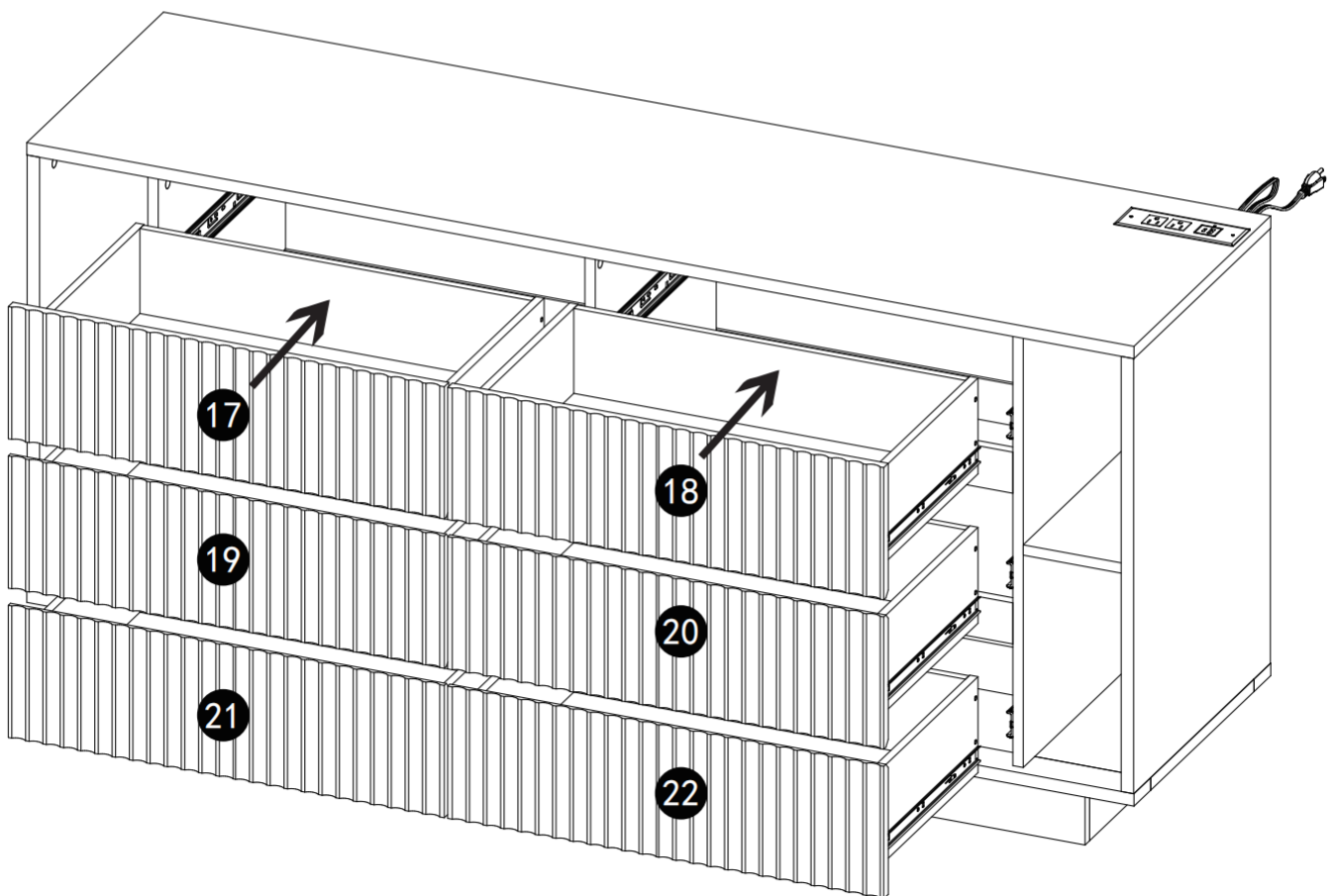
★ If the drawer does not go in smoothly please take it out and repeat the step.



Please push the steel ball to the front first, then install the drawer

REMARK:

1. First, slide the slide and ball on both sides of the slide to the outside.
2. when installing the drawer, align both sides first, and then push both sides inward at the same time.



Step:26

YOU WILL NEED

M  x2

