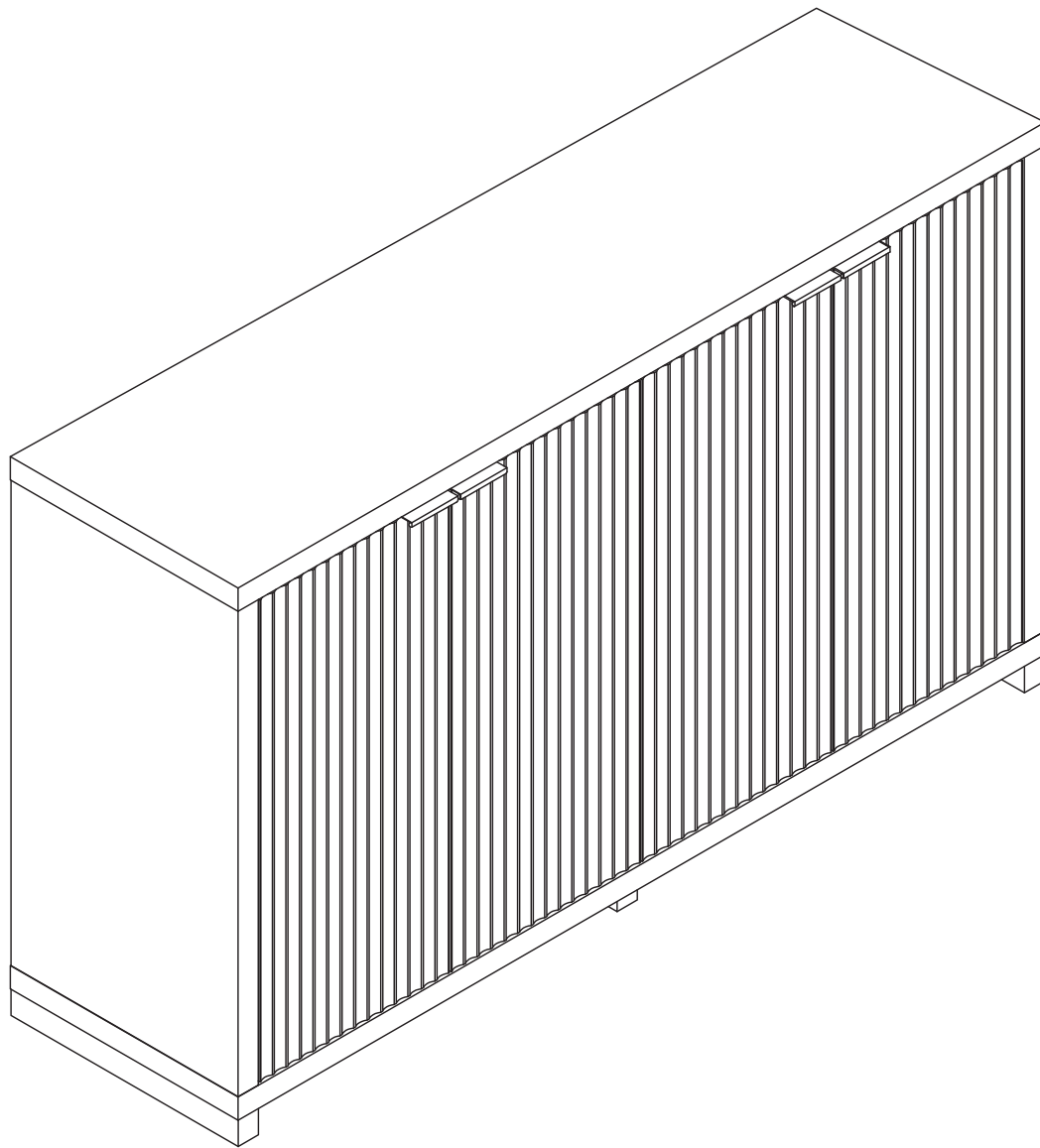


# Sideboard Buffet Cabinet Manual Instruction

Please read the instruction before you assemble and follow the steps in the instruction.



Please feel free to contact us, if you notice any damaged or missing parts before assembly, or you have any problems while assembling. We will respond to you within 24 hours!

**[FurnitureHomeCare@outlook.com](mailto:FurnitureHomeCare@outlook.com)**

Version: 20241220-ZZJS-US

# Contents

- **Cautions Before Assembly** \_\_\_\_\_ 01
- **Cabinet Panels List** \_\_\_\_\_ 02
- **Accessories List** \_\_\_\_\_ 03
- **Assemble Side Panels** \_\_\_\_\_ 04-06
- **Assemble Upper Back Panels** \_\_\_\_\_ 07
- **Assemble Top Panel** \_\_\_\_\_ 08-10
- **Assemble Lower Back Panels** \_\_\_\_\_ 11
- **Assemble Bottom Panel** \_\_\_\_\_ 12
- **Assemble Cabinet Legs & Shims** \_\_\_\_\_ 13-14
- **Fix Back Panels** \_\_\_\_\_ 15
- **Assemble Shelves** \_\_\_\_\_ 16
- **Assemble Cabinet Doors** \_\_\_\_\_ 17-21
- **Adjust Cabinet Doors** \_\_\_\_\_ 22
- **Assemble Anti-tipping Equipment** \_\_\_\_\_ 23
- **Cleaning and Maintenance** \_\_\_\_\_ 24

# Cautions Before Assembly

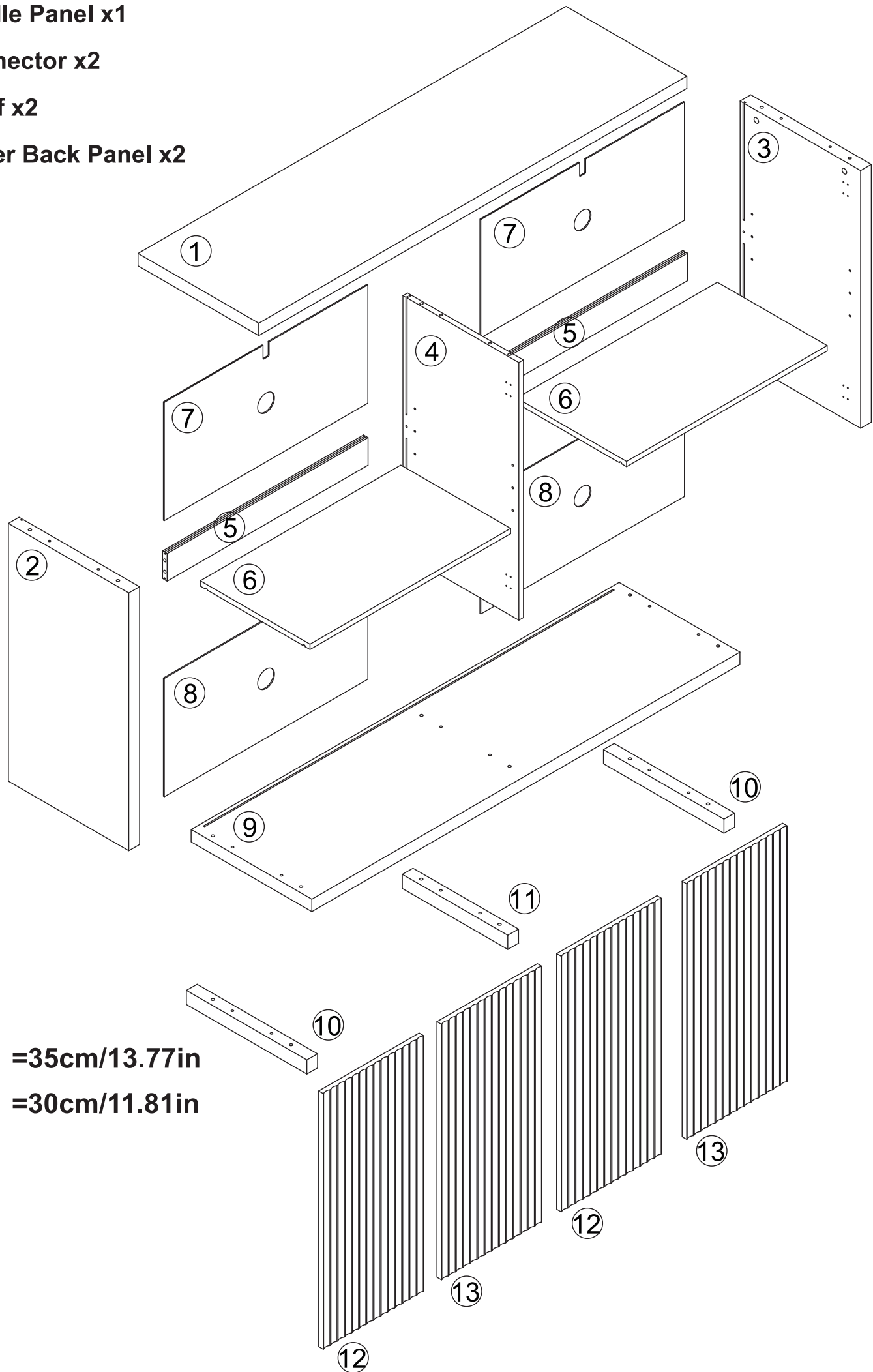
- 1.** Before assembling, please check if all parts and accessories are complete. If there are any missing parts, please contact our customer service (**FurnitureHomeCare@outlook.com**) to get the parts.
- 2.** We recommend 2 people to work together for faster and easier assembly.
- 3.** Please prepare the necessary tools for assembly. You can use Phillips screwdriver or electric screwdriver. If you use electric screwdriver, please be careful to observe the status of the screws and stop in time when they are tightened.
- 4.** Please assemble the cabinet on a flat surface.
- 5.** Make sure to assemble the product away from children.
- 6. DO NOT** remove the serial number from the panel until assembly is complete.
- 7.** Before starting each assembly step, please take the parts according to the serial number and quantity of the parts labeled in the upper corner of the instruction manual.

**Please feel free to contact us if anything is missing or damaged. We are glad to solve any problems you may have during the assembly.**

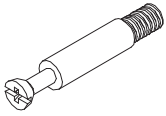



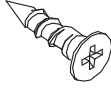
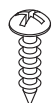
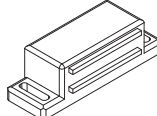

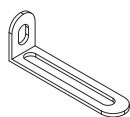
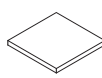


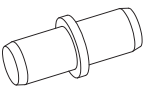
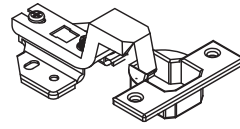
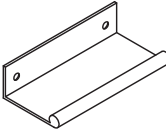
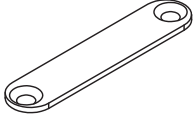

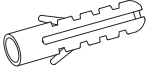
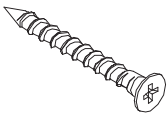
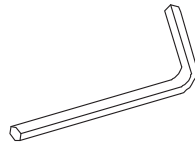
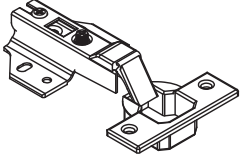

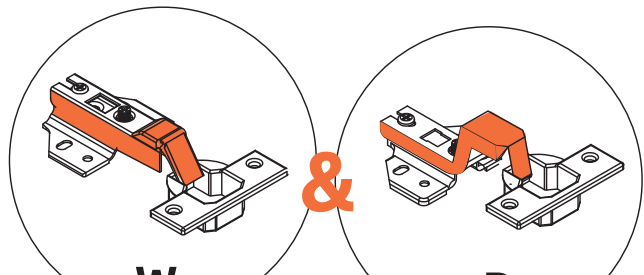
**FurnitureHomeCare@outlook.com**

# Cabinet Panels List

- ① Top Panel x1
- ② Left Side Panel x1
- ③ Right Side Panel x1
- ④ Middle Panel x1
- ⑤ Connector x2
- ⑥ Shelf x2
- ⑦ Upper Back Panel x2
- ⑧ Lower Back Panel x2
- ⑨ Bottom Panel x1
- ⑩ Side Cabinet Leg x2
- ⑪ Middle Cabinet Leg x1
- ⑫ Left Cabinet Door x2
- ⑬ Right Cabinet Door x2



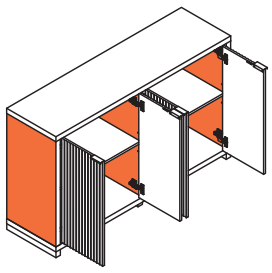
# Accessories List

|     |                                                                                                |                                                                                               |                                                                                                |                                                                                                |                                                                                                |     |                                                                                               |
|-----|------------------------------------------------------------------------------------------------|-----------------------------------------------------------------------------------------------|------------------------------------------------------------------------------------------------|------------------------------------------------------------------------------------------------|------------------------------------------------------------------------------------------------|-----|-----------------------------------------------------------------------------------------------|
|     | M6X35<br>     | Ø15×12mm<br> | Ø8×30mm<br> | M7×50mm<br> |                                                                                                |     |                                                                                               |
| (A) | 12pcs +1pc                                                                                     | (B)                                                                                           | 12pcs +1pc                                                                                     | (C)                                                                                            | 18pcs +1pc                                                                                     | (D) | 6pcs                                                                                          |
|     | Ø3.5×12mm<br> |                                                                                               | Ø3×16<br>     |                                                                                                |             |     | Ø4×14<br>  |
| (E) | 56pcs +5pcs                                                                                    | (F)                                                                                           | 8pcs +1pc                                                                                      | (G)                                                                                            | 4pcs                                                                                           | (H) | 2pcs                                                                                          |
|     |              |                                                                                               | 35×35<br>    |                                                                                                |             |     | M6×40<br> |
| (J) | 2pcs                                                                                           | (K)                                                                                           | 6pcs                                                                                           | (L)                                                                                            | 16pcs +1pc                                                                                     | (M) | 6pcs                                                                                          |
|     |             |                                                                                               |             |                                                                                                | 80mm<br>  |     |          |
| (N) | 8pcs +2pcs                                                                                     | (P)                                                                                           | 4pcs                                                                                           | (Q)                                                                                            | 4pcs                                                                                           | (R) | 4pcs                                                                                          |
|     | Ø3×12<br>   |                                                                                               |             |                                                                                                | Ø4×35<br> |     | M4<br>   |
| (S) | 8pcs +1pc                                                                                      | (T)                                                                                           | 2pcs                                                                                           | (U)                                                                                            | 2pcs                                                                                           | (V) | 1pc                                                                                           |
|     |             |                                                                                               | Ø3.5×20<br> |           |                                                                                                |     |                                                                                               |
| (W) | 4pcs                                                                                           | (X)                                                                                           | 16pcs +1pc                                                                                     |                                                                                                |                                                                                                |     |                                                                                               |

“+” indicates that the accessory includes a replacement part.

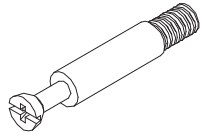
For instance, “12pcs + 1pc” means that 12pcs is the quantity needed for installation and 1pc is a replacement part.

 **Difference between P and W:**  
Viewed from the side, P has a higher bulge

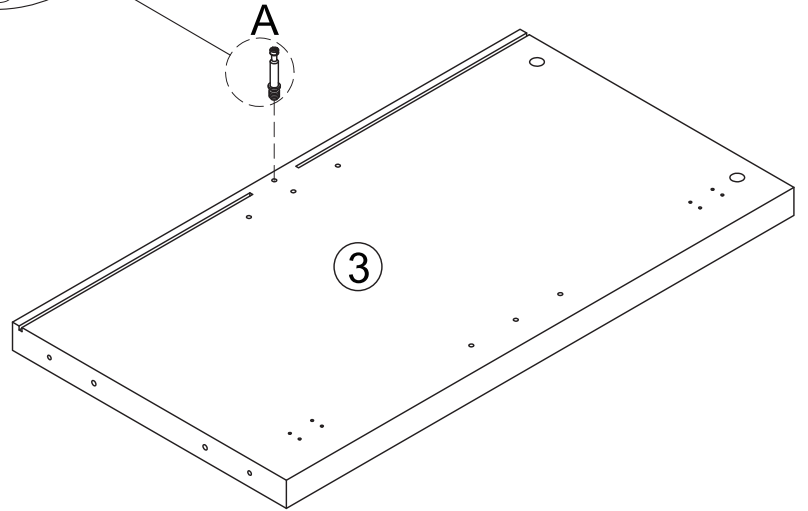
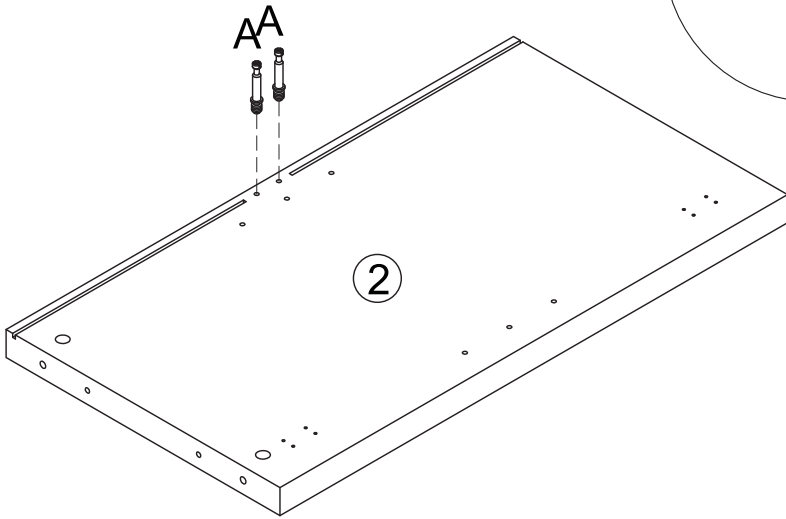
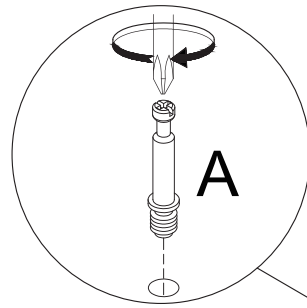


# Assemble Side Panels

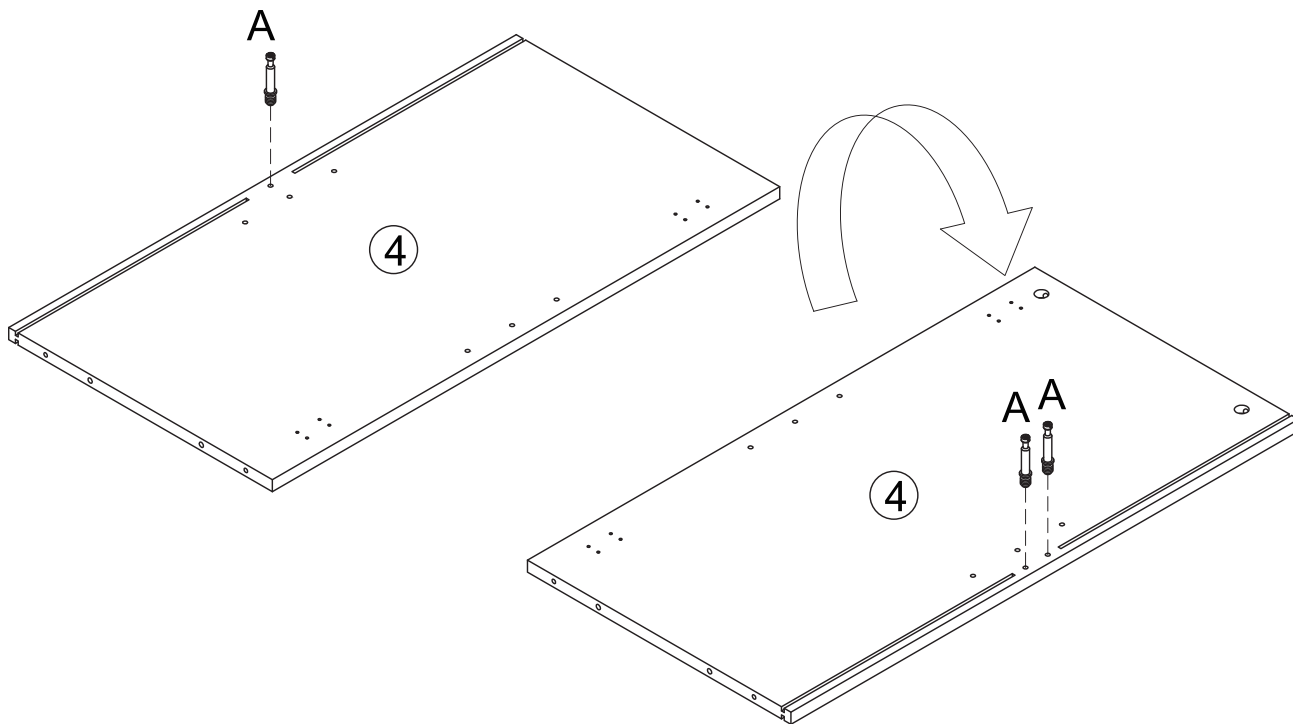
A M6×35



6PCS

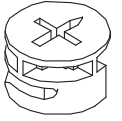


1. Install A into holes between the 2 grooves on panels 2 and 3, and tighten A as shown in the figure.



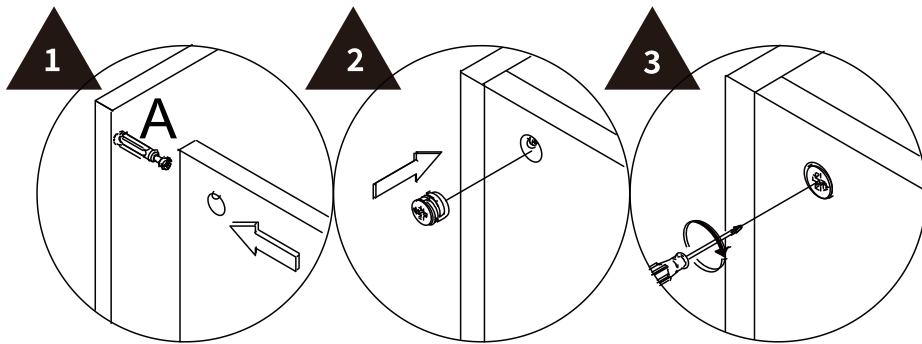
2. Install A to 1 hole between the grooves on one side of panel 4, flip panel 4 over and install A to 2 holes between the grooves on the other side.

B Ø15×12

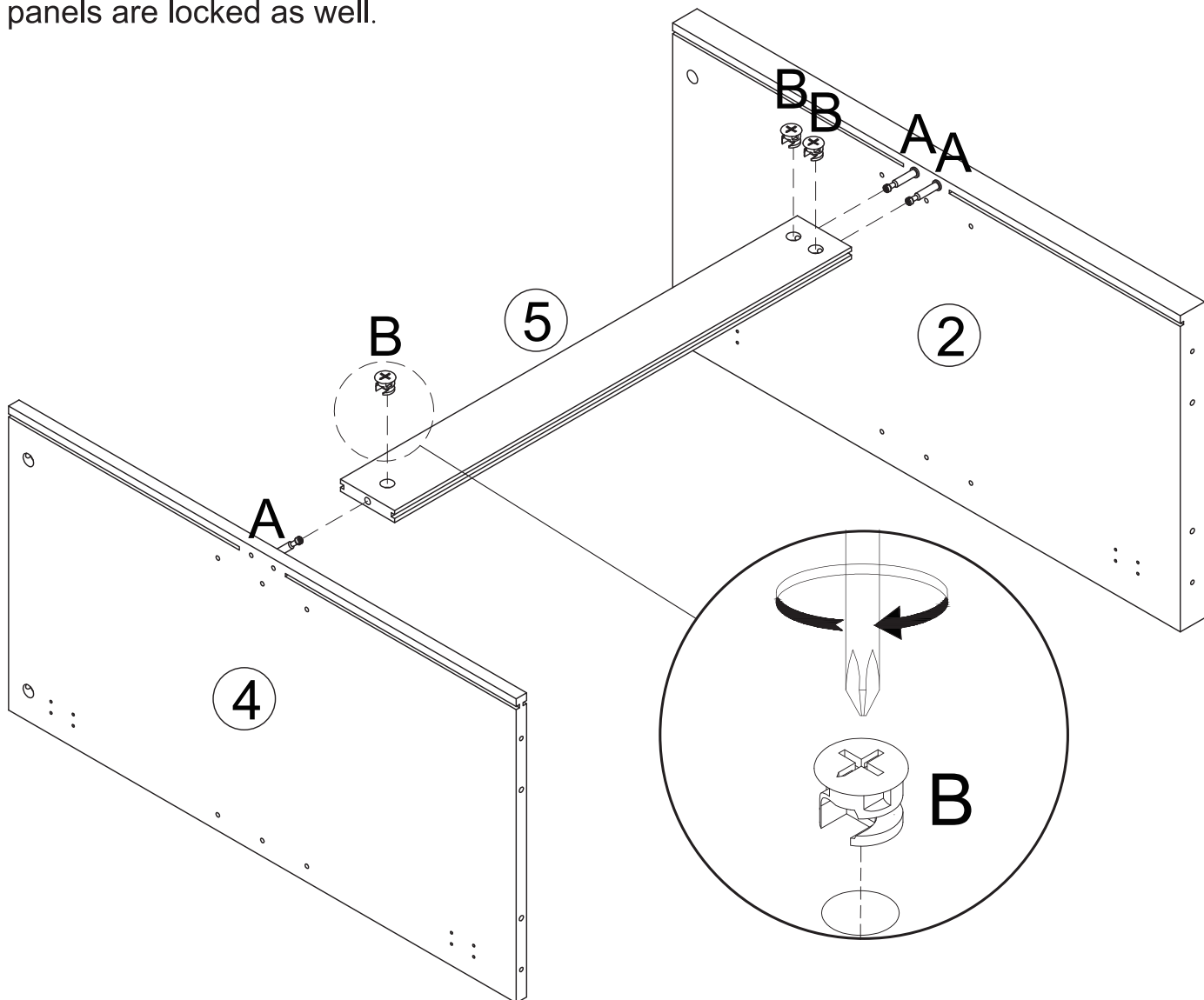


3PCS

# Assemble Side Panels



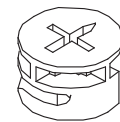
**How to use B:** Connect the panel with A to the panel with the round hole, put B into the round hole and tighten it to lock A so that 2 panels are locked as well.



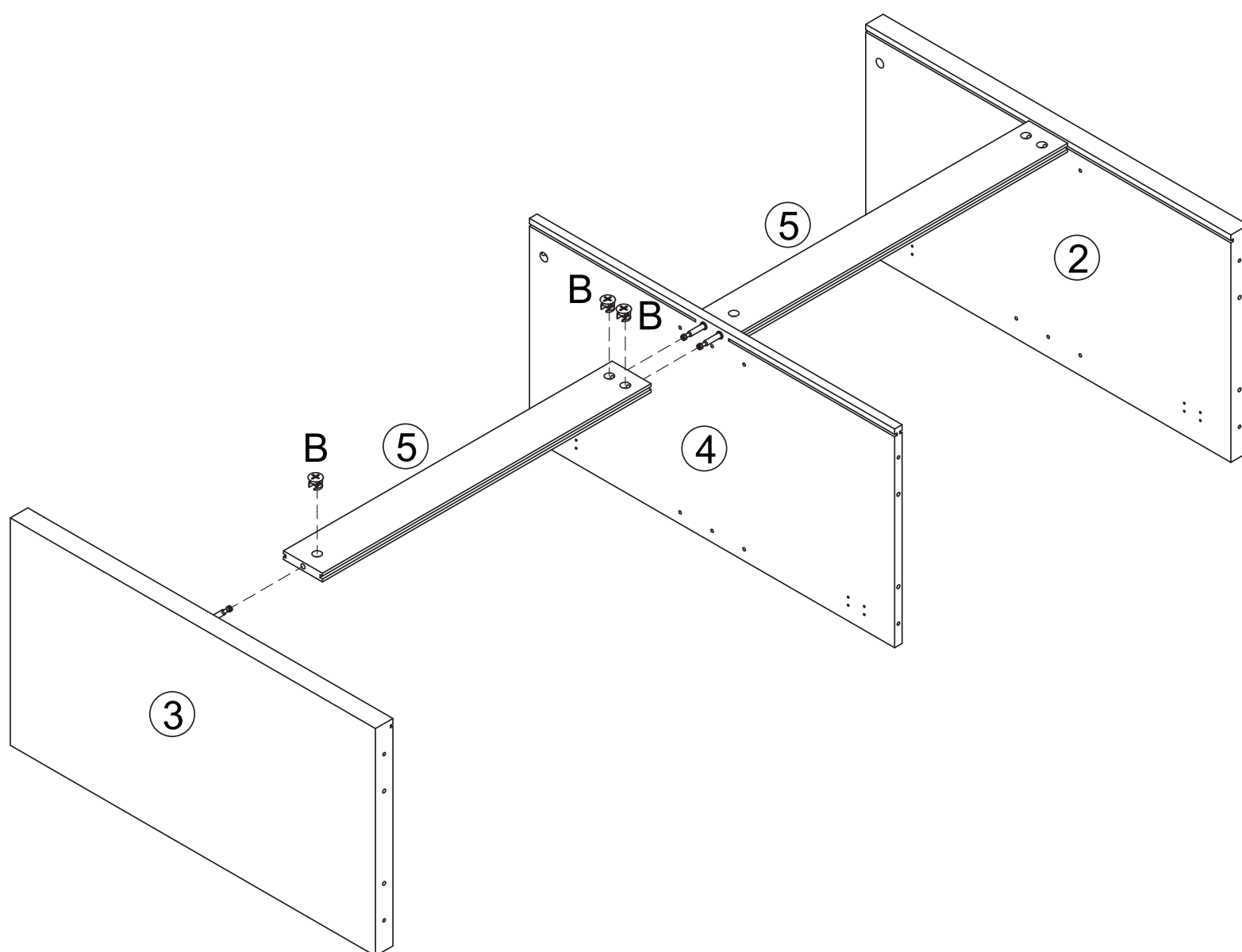
- 3.** Using panel 5 to connect panels 2 and 4, attach A to the holes on both sides of panel 5 (Note: please keep round holes in panel 5 face upwards). Then, attach B to the round hole of panel 5 as shown in the figure and rotate it to fix it.

# Assemble Side Panels

B Ø15×12



3PCS

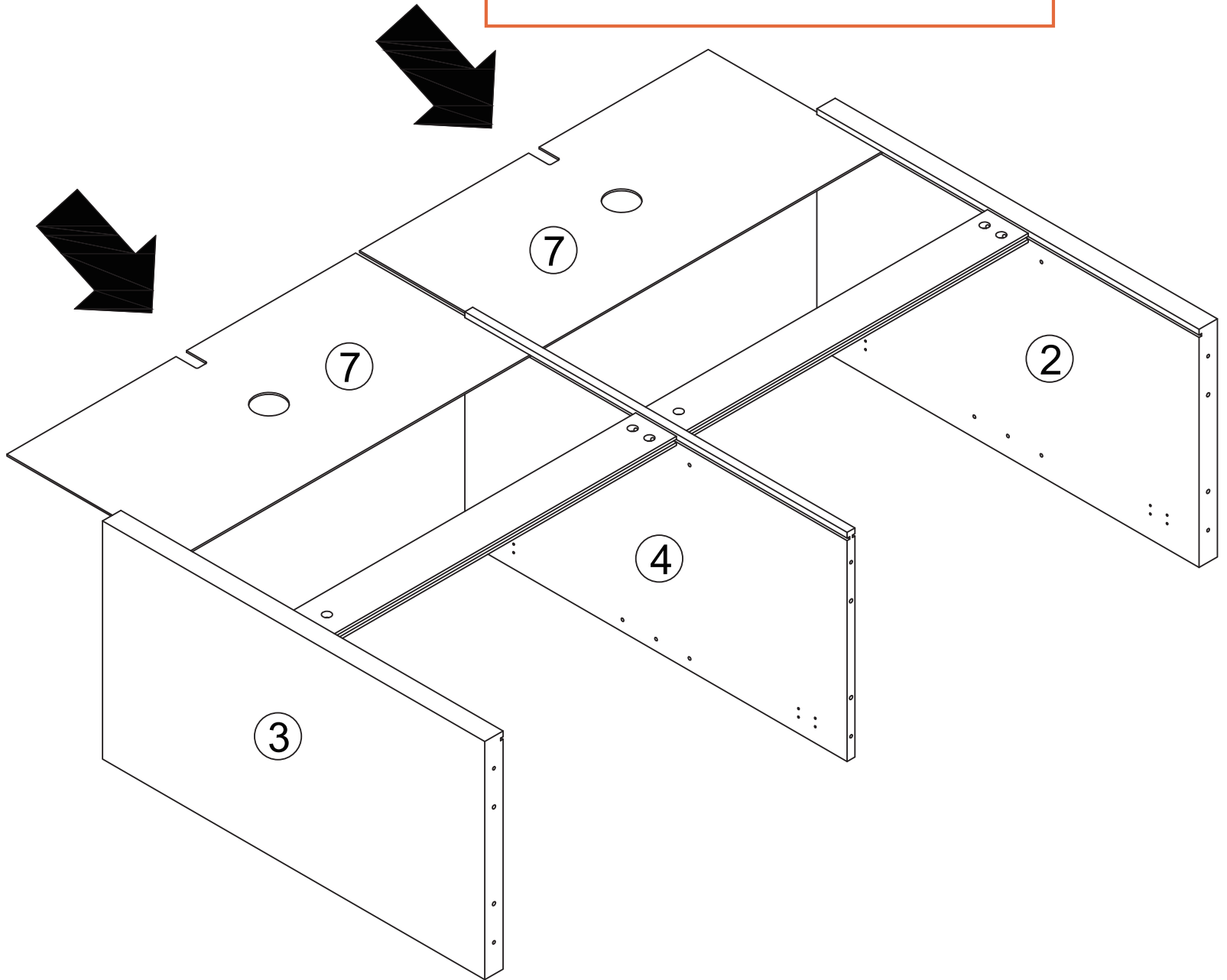


4. Repeat the above steps, connecting panels 3 and 4 with another panel 5.

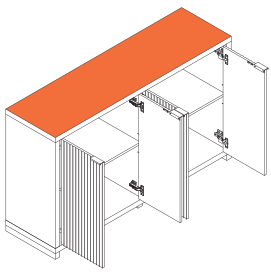
## Assemble Upper Back Panels

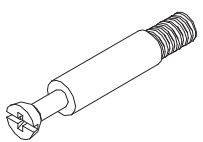


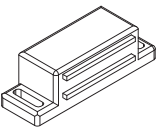

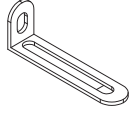


Keep the u-shaped notches on panel 7 facing outward.

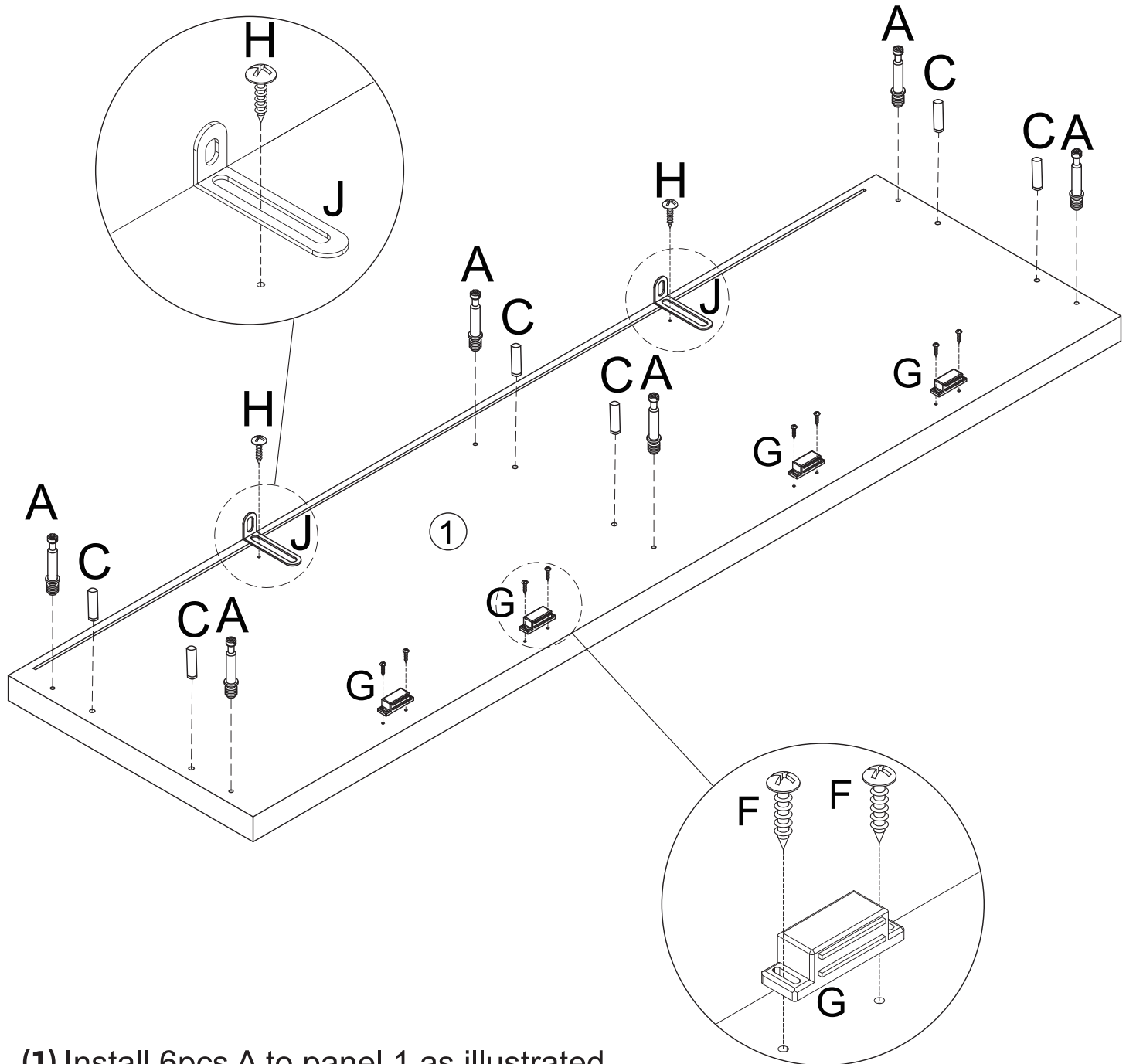


- 5.** Place the assembled frame as shown in the illustration. Panel 3, 4, 2 from left to right. Fit panel 7 into the grooves of panel 3, 4, 2.



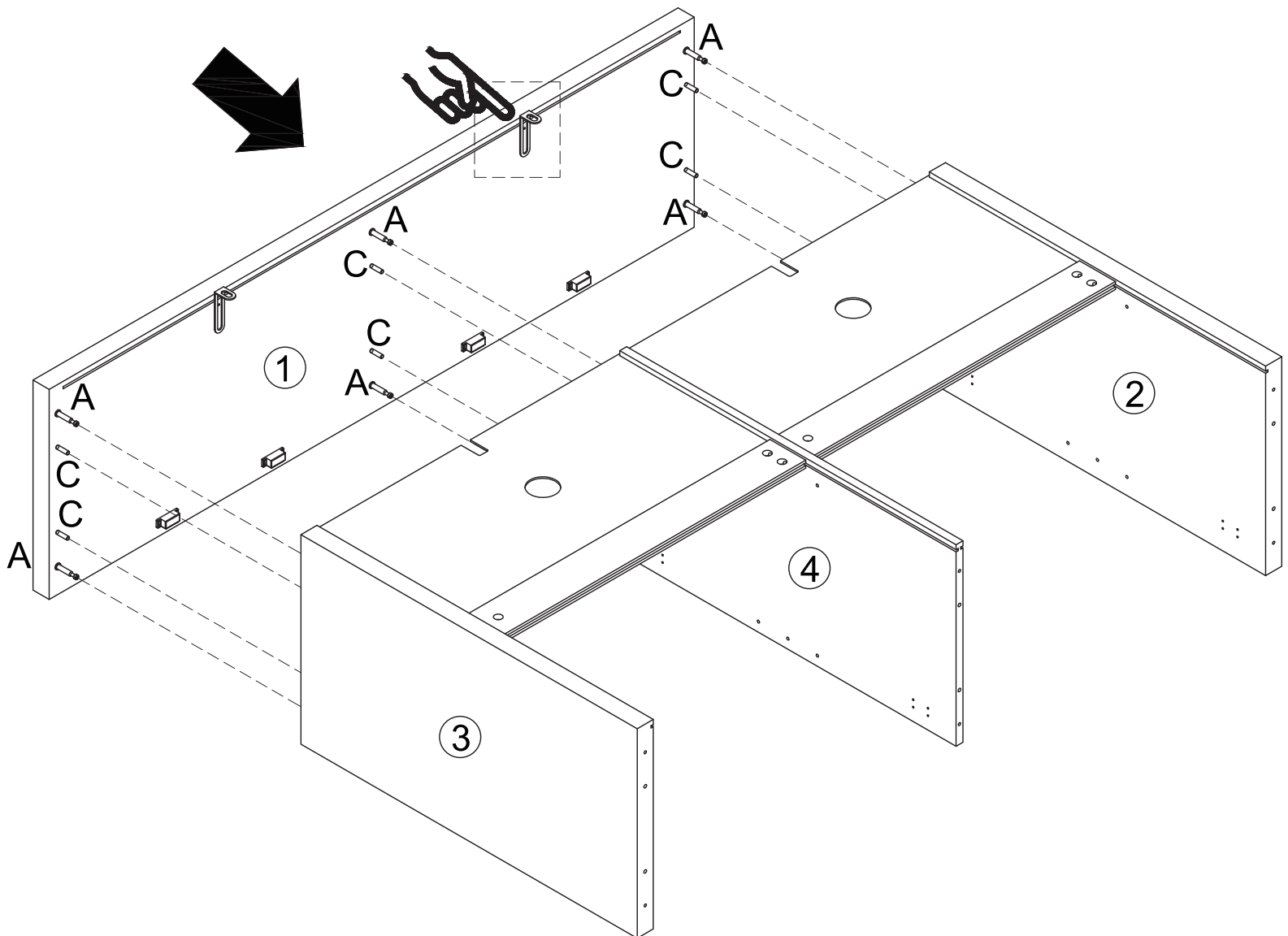
|                                                                                   |       |                                                                                   |       |                                                                                   |       |                                                                                     |   |                                                                                     |   |                                                                                     |  |
|-----------------------------------------------------------------------------------|-------|-----------------------------------------------------------------------------------|-------|-----------------------------------------------------------------------------------|-------|-------------------------------------------------------------------------------------|---|-------------------------------------------------------------------------------------|---|-------------------------------------------------------------------------------------|--|
| A                                                                                 | M6×35 | C                                                                                 | ∅8×30 | F                                                                                 | ∅3×16 | G                                                                                   | H | ∅4×14                                                                               | J |                                                                                     |  |
|  |       |  |       |  |       |  |   |  |   |  |  |
| 6PCS                                                                              |       | 6PCS                                                                              |       | 8PCS                                                                              |       | 4PCS                                                                                |   | 2PCS                                                                                |   | 2PCS                                                                                |  |

## Assemble Top Panel



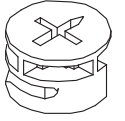
- 6.**
- (1) Install 6pcs A to panel 1 as illustrated.
  - (2) Fix G to panel 1 with F as shown in the figure.
  - (3) Fix J to panel 1 with H as shown in the figure.
  - (4) Install the 6pcs C to panel 1 as shown in the figure.

# Assemble Top Panel



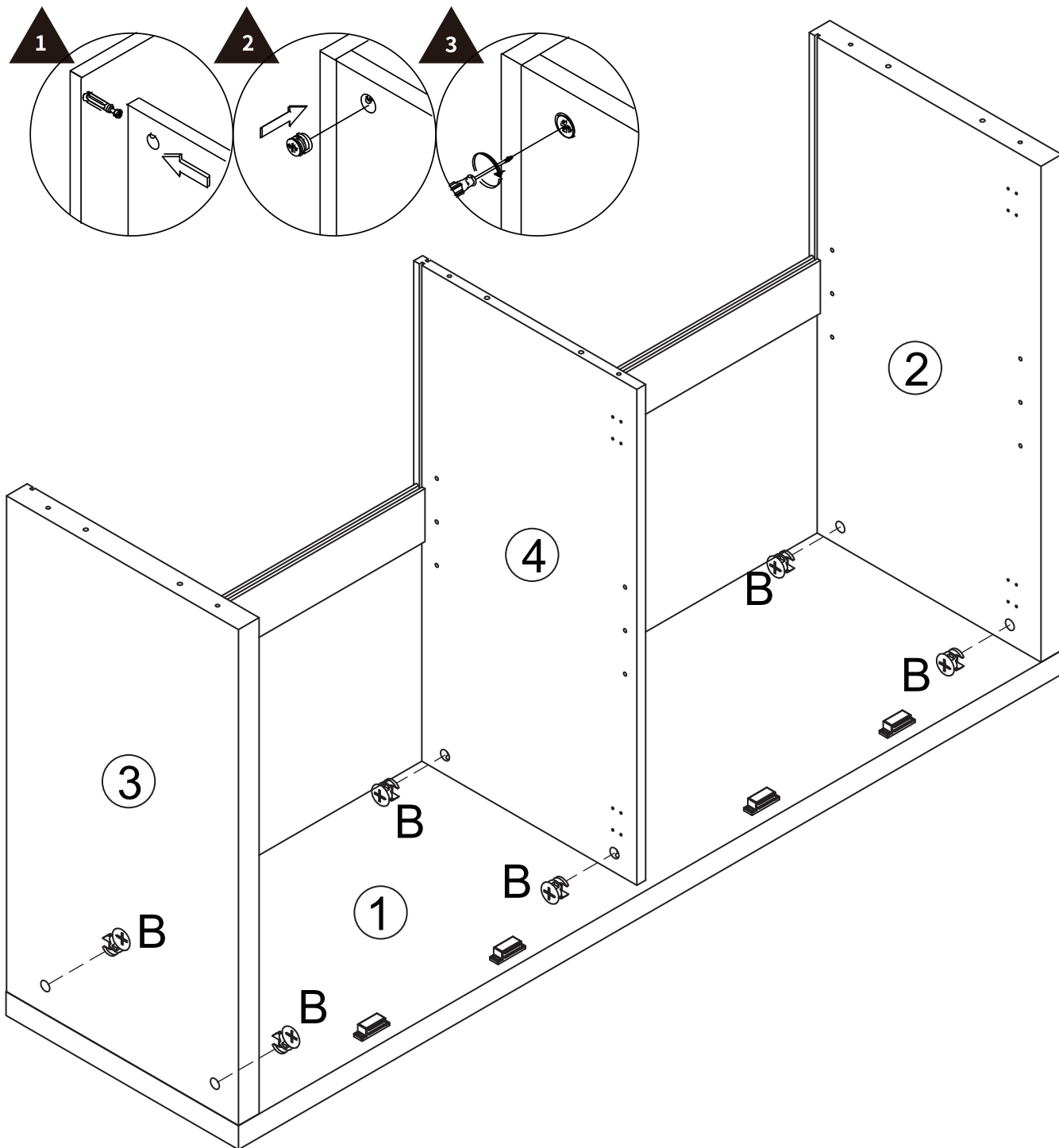
- 7.** Make the J on panel 1 align with the U-shaped notch on panel 7. Align the A and C on panel 1 with the holes in panels 2, 3, 4, and then fix panel 1 to the cabinet in left-to-right order.

B Ø15×12



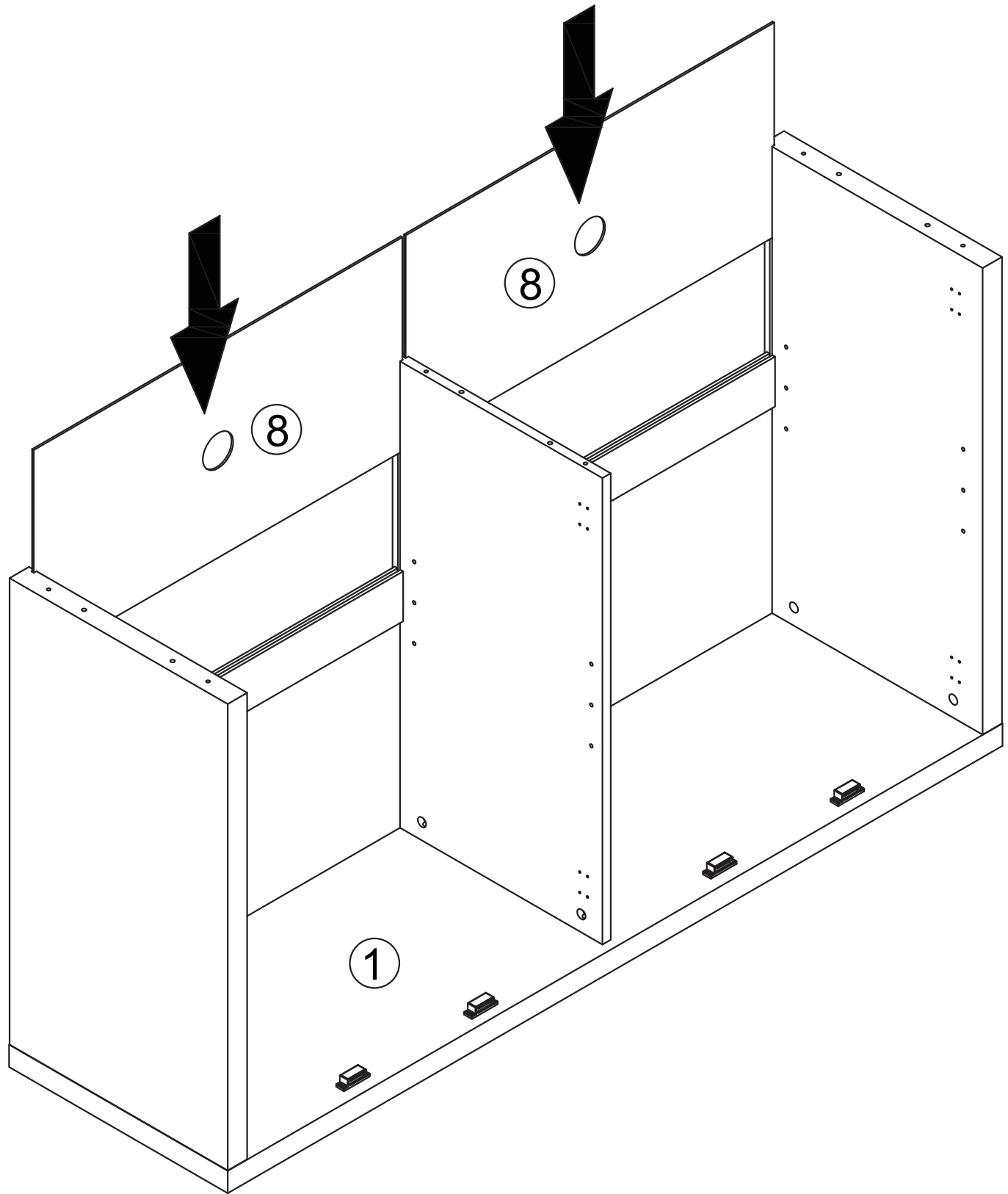
6PCS

## Assemble Top Panel

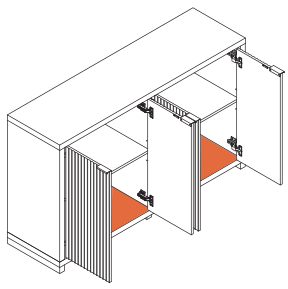




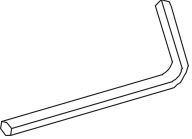
- 8.** Flip the cabinet over so that panel 1 is face down. Install the 6 pcs B to the holes shown in the figure and tighten them.

## Assemble Lower Back Panels

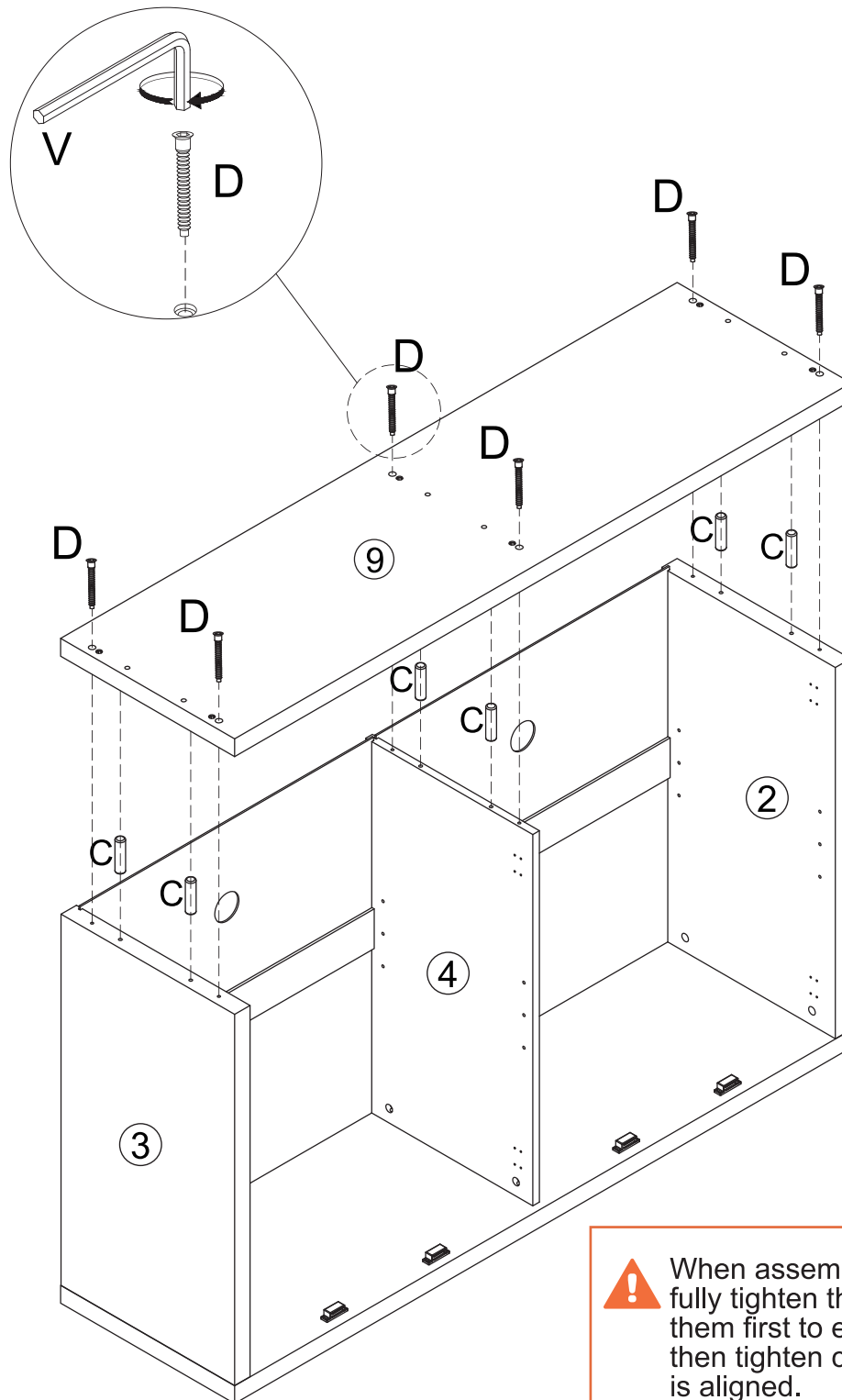



- 9.** Attach panel 8 along the grooves.



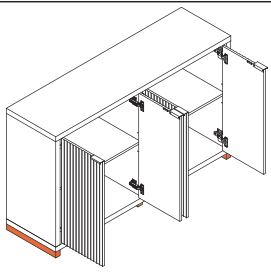
|                                                                                     |       |                                                                                     |       |                                                                                     |
|-------------------------------------------------------------------------------------|-------|-------------------------------------------------------------------------------------|-------|-------------------------------------------------------------------------------------|
| C                                                                                   | Ø8×30 | D                                                                                   | M7×50 | V                                                                                   |
|  |       |  |       |  |
| 6PCS                                                                                |       | 6PCS                                                                                |       | 1PC                                                                                 |


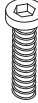
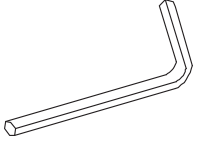
## Assemble Bottom Panel



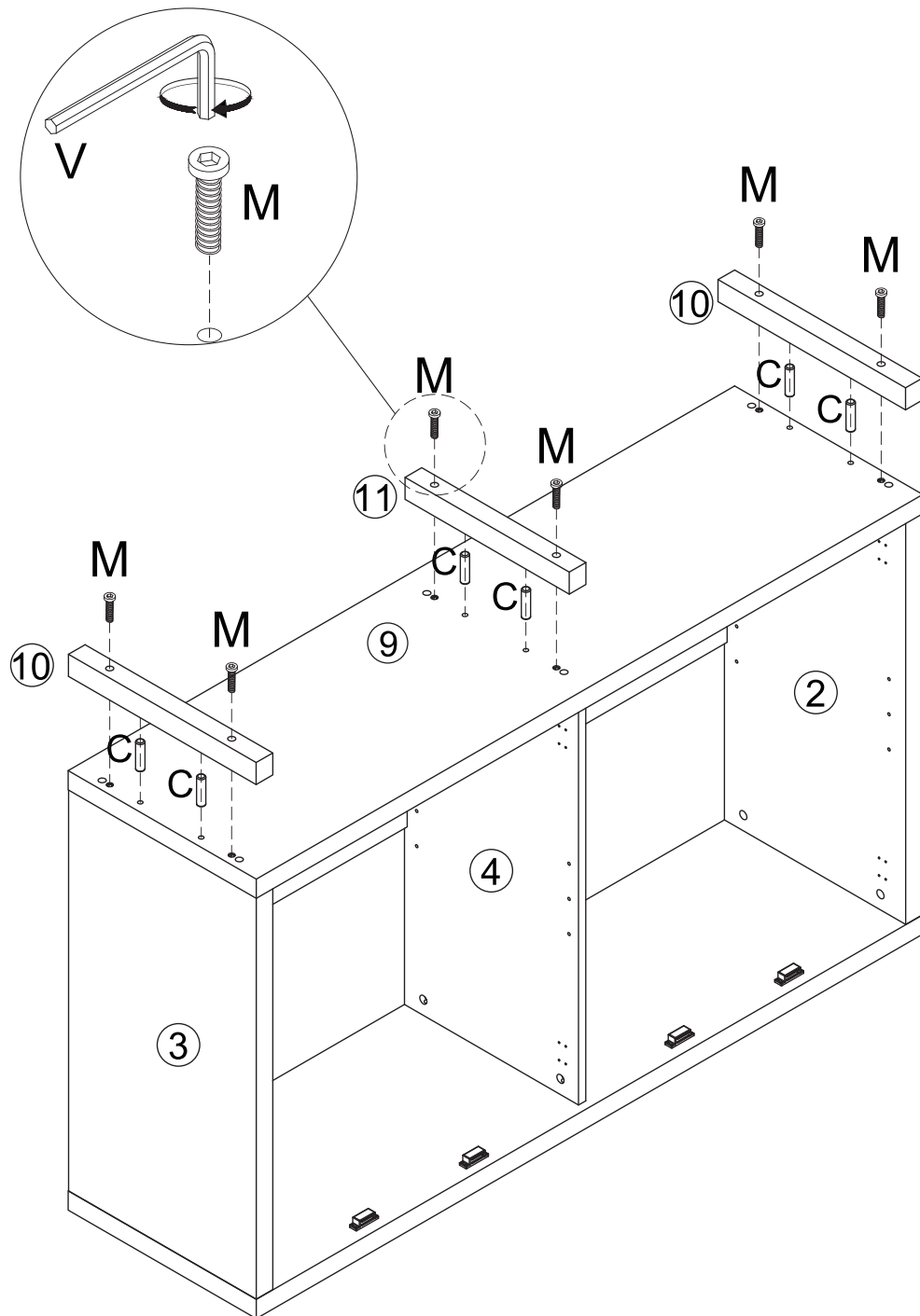
 When assembling the panels, do not fully tighten the screws. Lightly tighten them first to ensure proper alignment, then tighten completely once everything is aligned.

- 10.** (1) Attach C to the holes at the top of panel 2, 3, 4 as shown in the figure.  
(2) Install D in the holes on panel 9 as shown, then align the holes on panel 2, 3, 4, and finally tighten D with V.



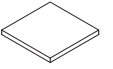
|                                                                                     |       |                                                                                     |       |                                                                                     |
|-------------------------------------------------------------------------------------|-------|-------------------------------------------------------------------------------------|-------|-------------------------------------------------------------------------------------|
| C                                                                                   | Ø8×30 | M                                                                                   | M6×40 | V                                                                                   |
|  |       |  |       |  |
| 6PCS                                                                                |       | 6PCS                                                                                |       | 1PC                                                                                 |

## Assemble Cabinet Legs & Shims



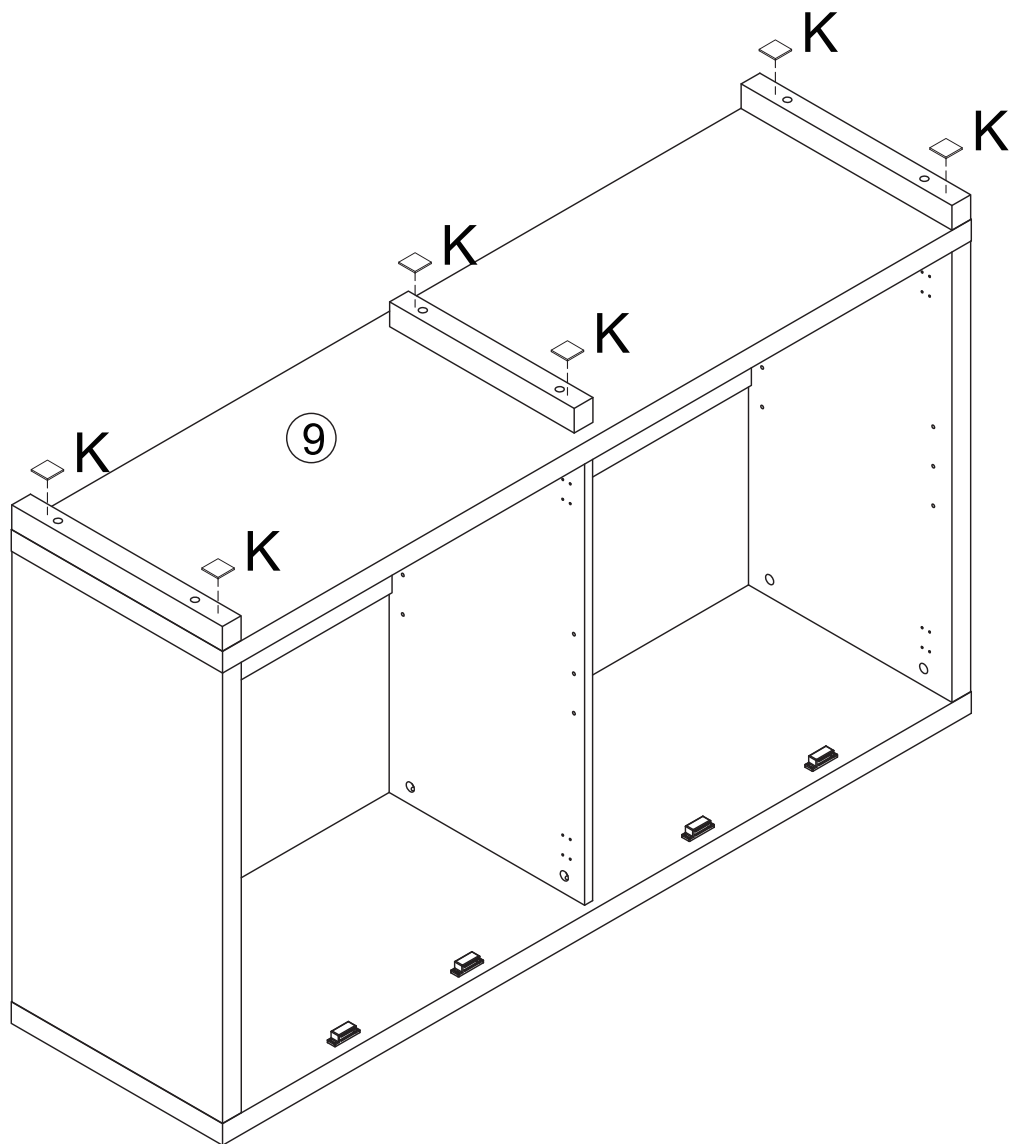
- 11.** (1) Attach C to the holes in panel 9 as shown.  
(2) Use M to attach the 2 panel 10 to the panel 9 as shown.  
(3) Repeat step 2 to secure the remaining panel 11 to panel 9.

K 35×35



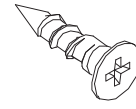
6PCS

## Assemble Cabinet Legs & Shims



**12.** Peel off the sticker on the back of the K, then stick the K to the position shown.

E Ø3.5\*12 L

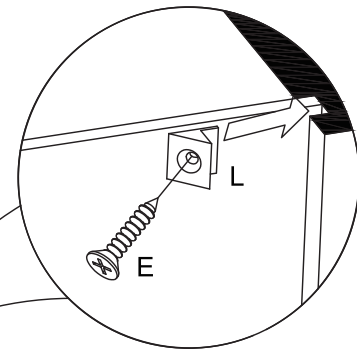
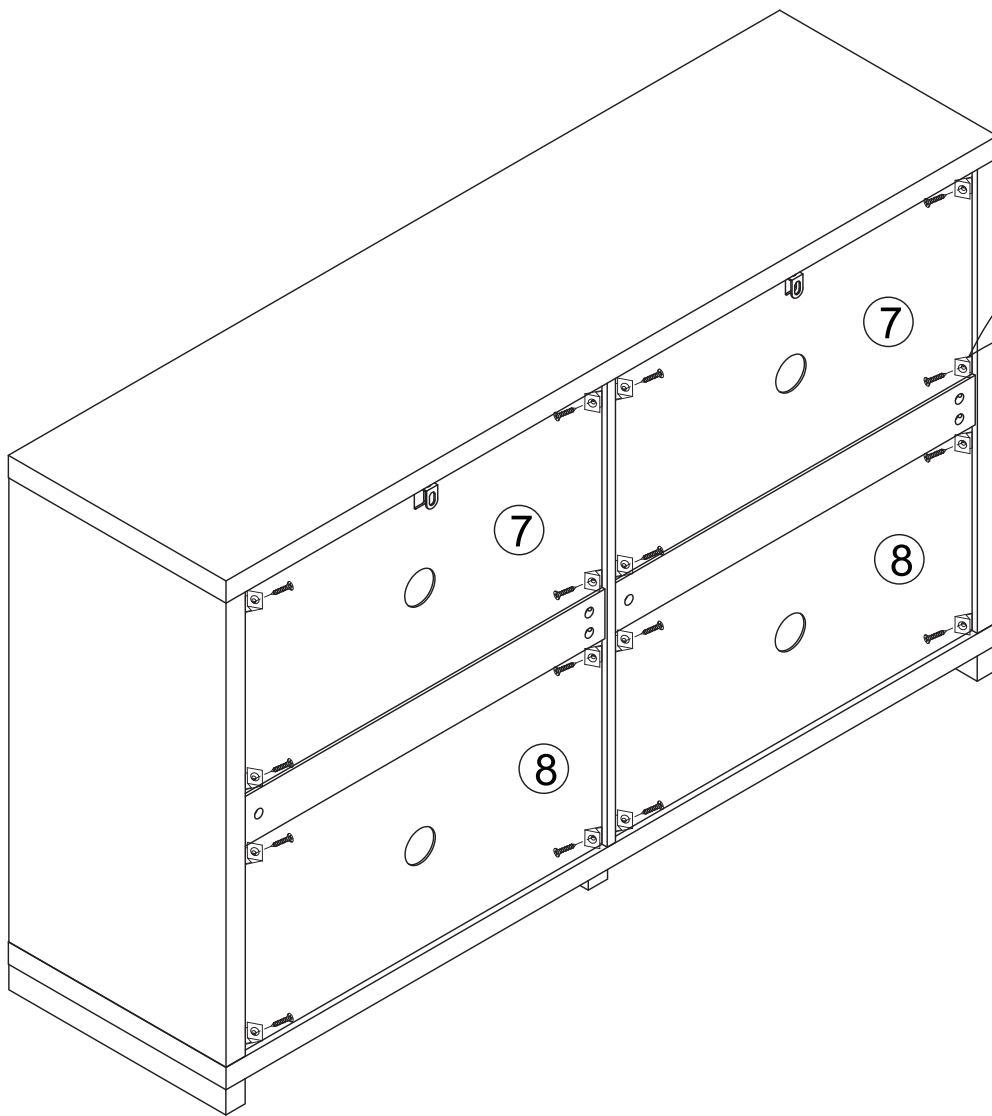


16PCS



16PCS

## Fix Back Panels

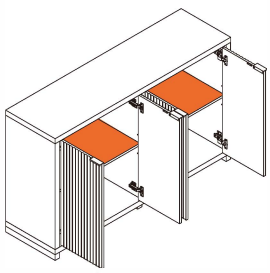


x16

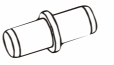


Align the corners and then firmly snap the L in.

- 13.** Snap the L into the 4 corners of the back panels(panels 7 and 8) and the gap in the cabinet frame, then secure the L with E.

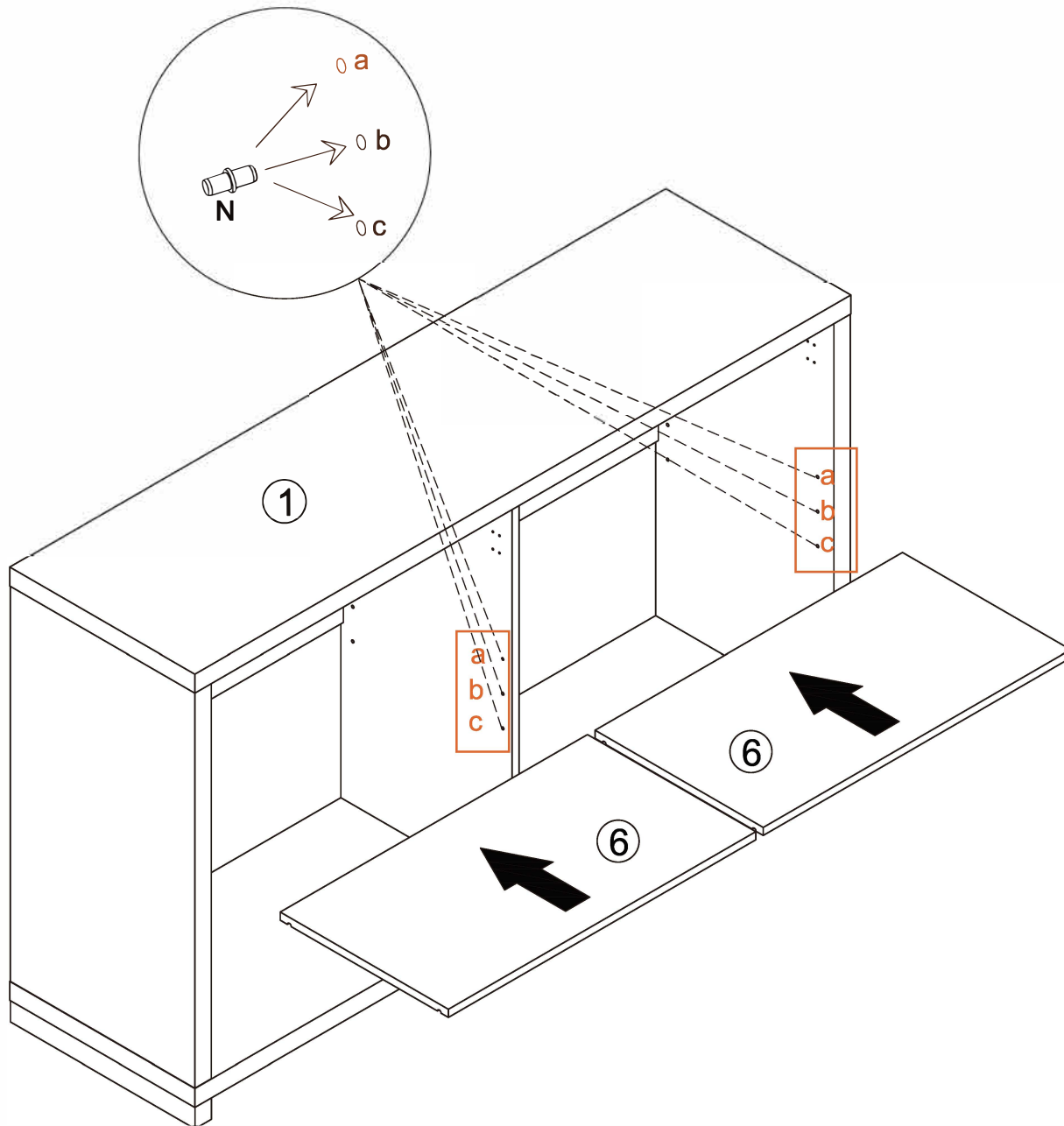


N

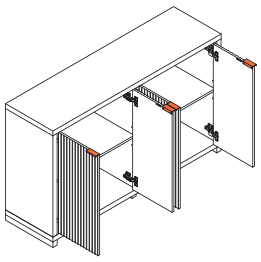


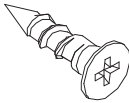
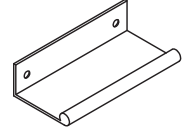
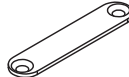

8PCS

## Assemble Shelves

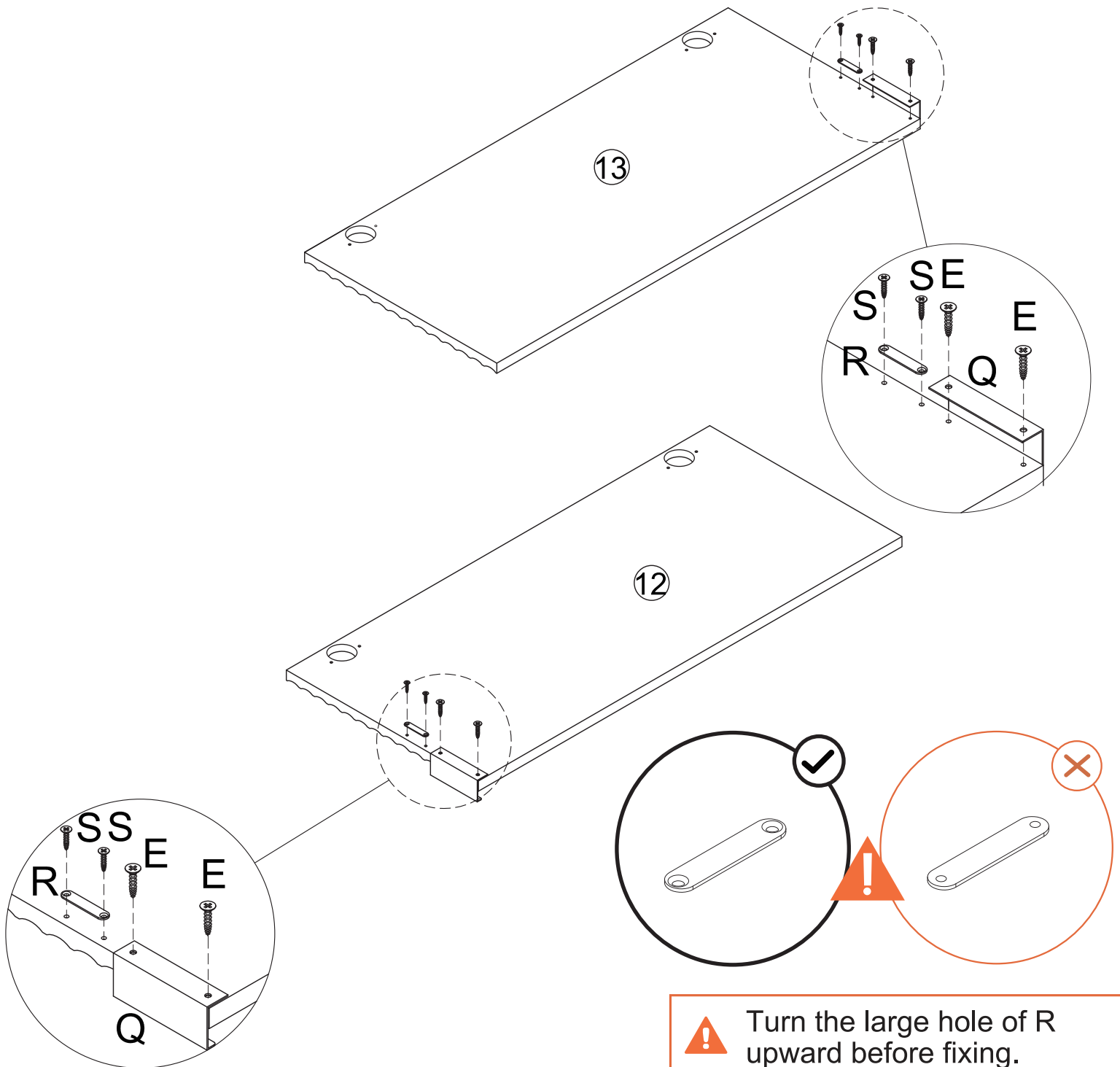


- 14.** The shelf is available in 3 different heights. Determine the desired height and then install N to the corresponding hole. Finally, place the shelf on.



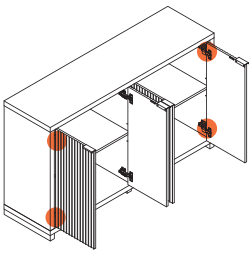
|                                                                                    |                                                                                     |                                                                                     |                                                                                     |
|------------------------------------------------------------------------------------|-------------------------------------------------------------------------------------|-------------------------------------------------------------------------------------|-------------------------------------------------------------------------------------|
| E Ø3.5*12                                                                          | Q                                                                                   | R                                                                                   | S Ø3*12                                                                             |
|  |  |  |  |
| 8PCS                                                                               | 4PCS                                                                                | 4PCS                                                                                | 8PCS                                                                                |

## Assemble Cabinet Doors

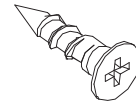


- 15.** (1) Use E to secure Q to panels 12 and 13.  
 (2) Use S to secure R to panels 12 and 13.

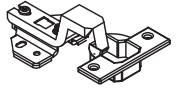
 Turn the large hole of R upward before fixing.



E Ø3.5\*12 P

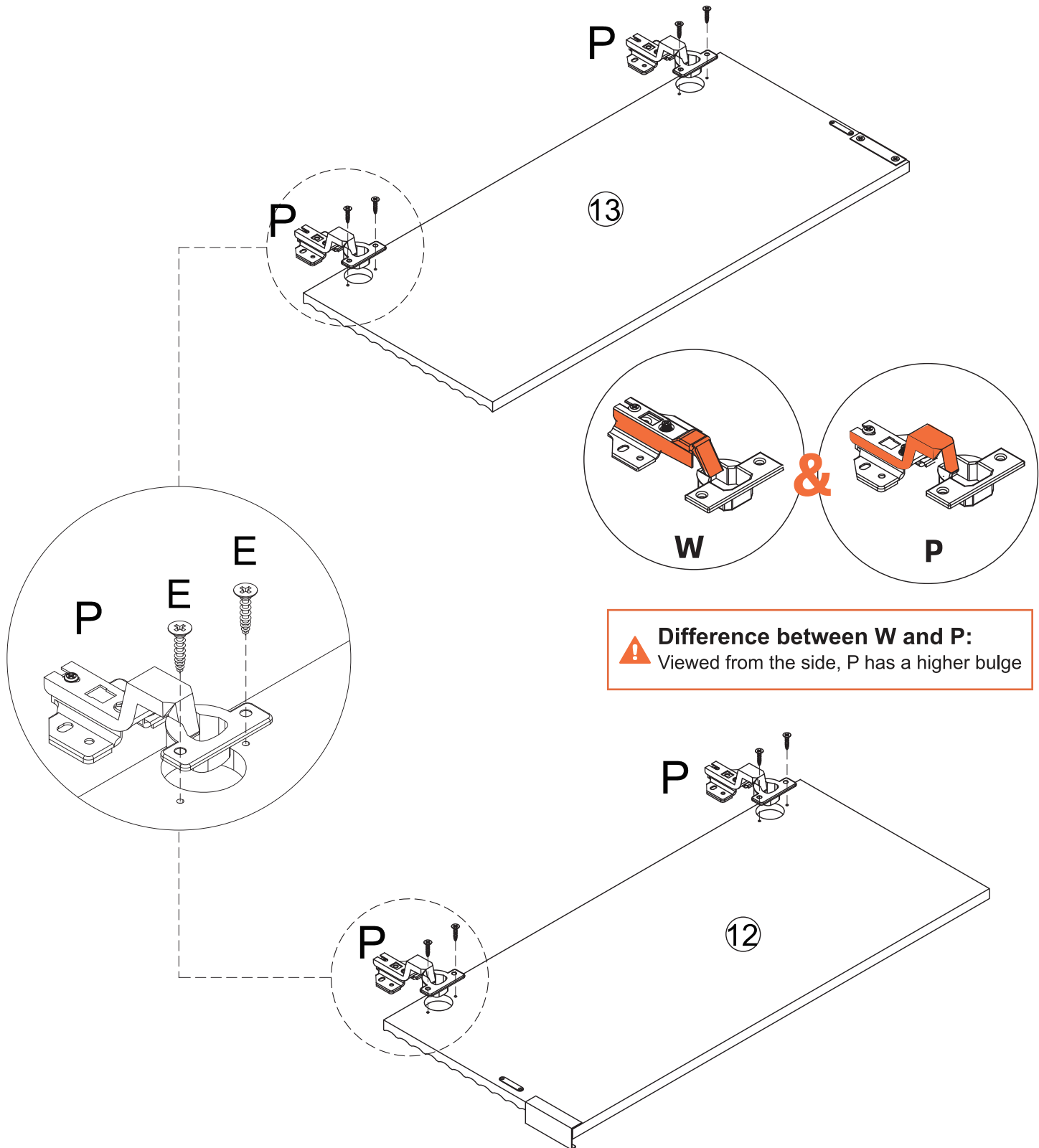


8PCS

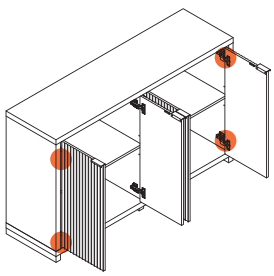


4PCS

## Assemble Cabinet Doors



**16.** Nest P into the circular holes of panels 12 and 13 first, then use E to fix P to panels 12 and 13.

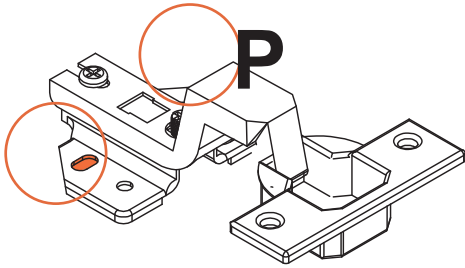


# Assemble Cabinet Doors

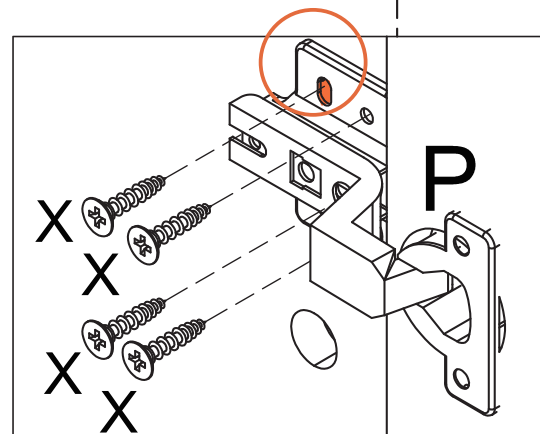
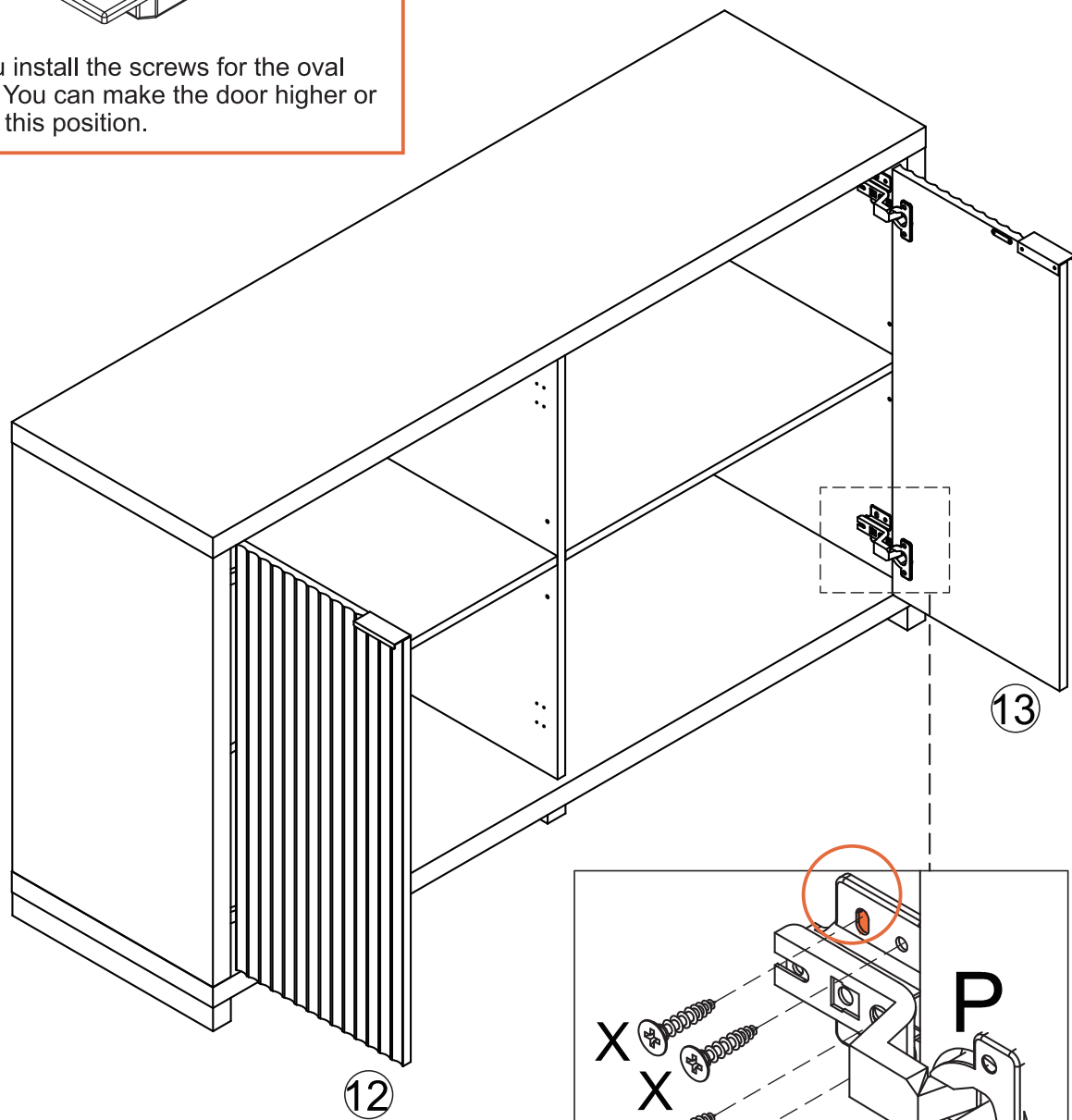
X Ø3.5\*20



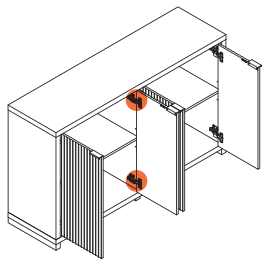
16PCS



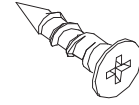
We recommend that you install the screws for the oval holes in the hinges first. You can make the door higher or lower with the screws in this position.



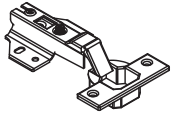
- 17.** Use X to install panels 12 and 13, which are equipped with P, to the cabinet body as shown in the figure.



E Ø3.5\*12 W

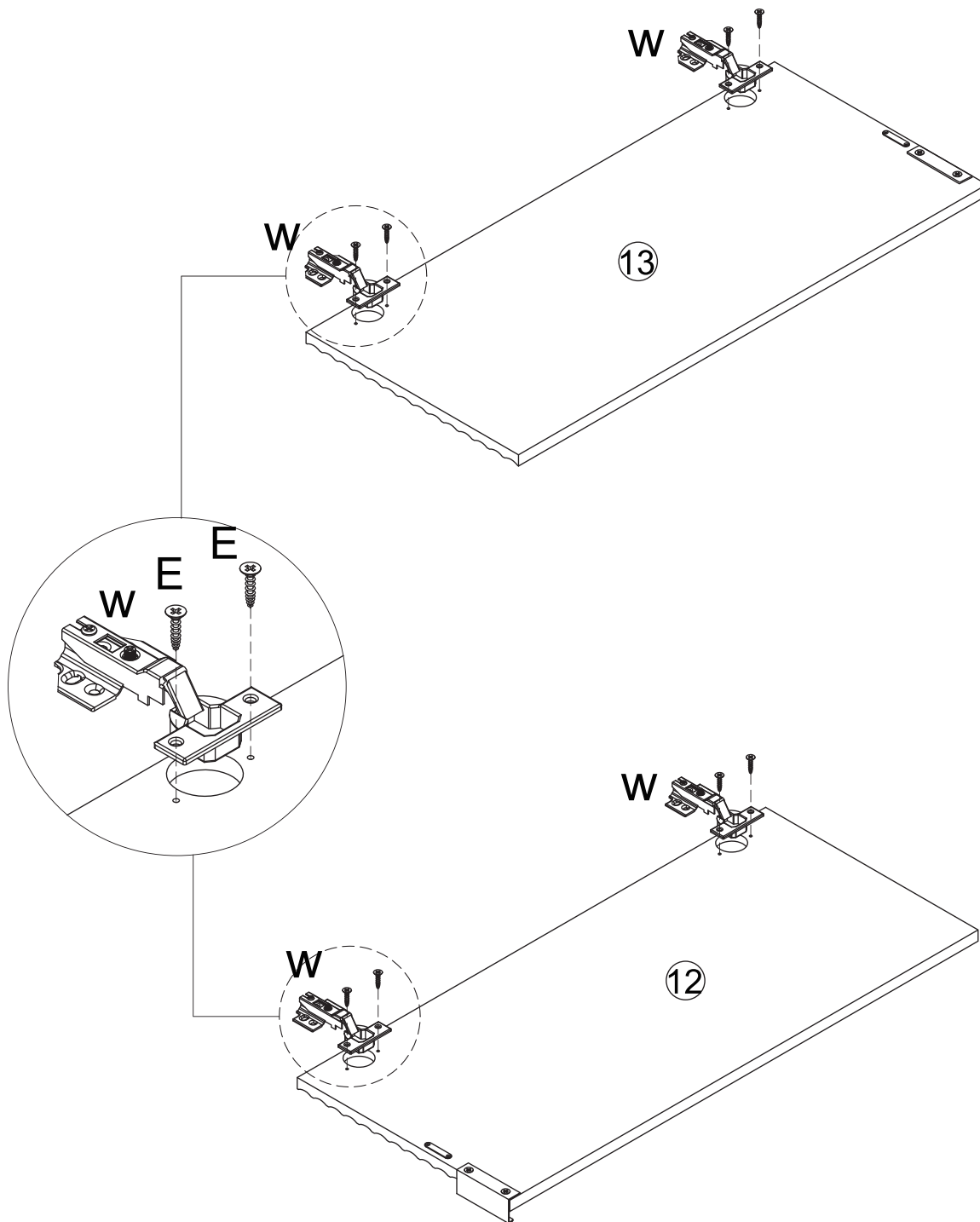


8PCS

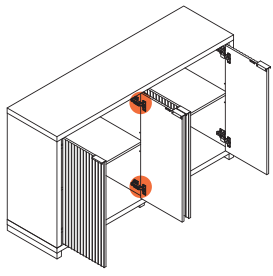


4PCS

## Assemble Cabinet Doors

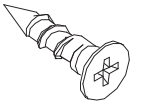


**18.** Nest W into the circular holes in panels 12 and 13, then use E to secure W to panels 12 and 13.



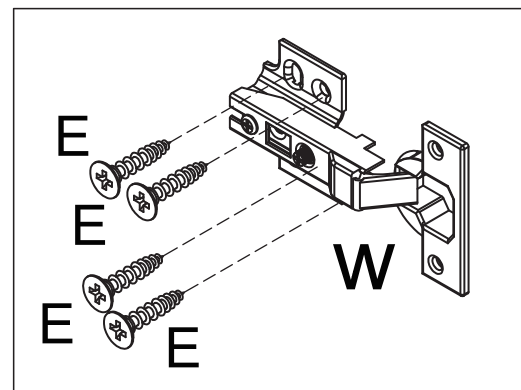
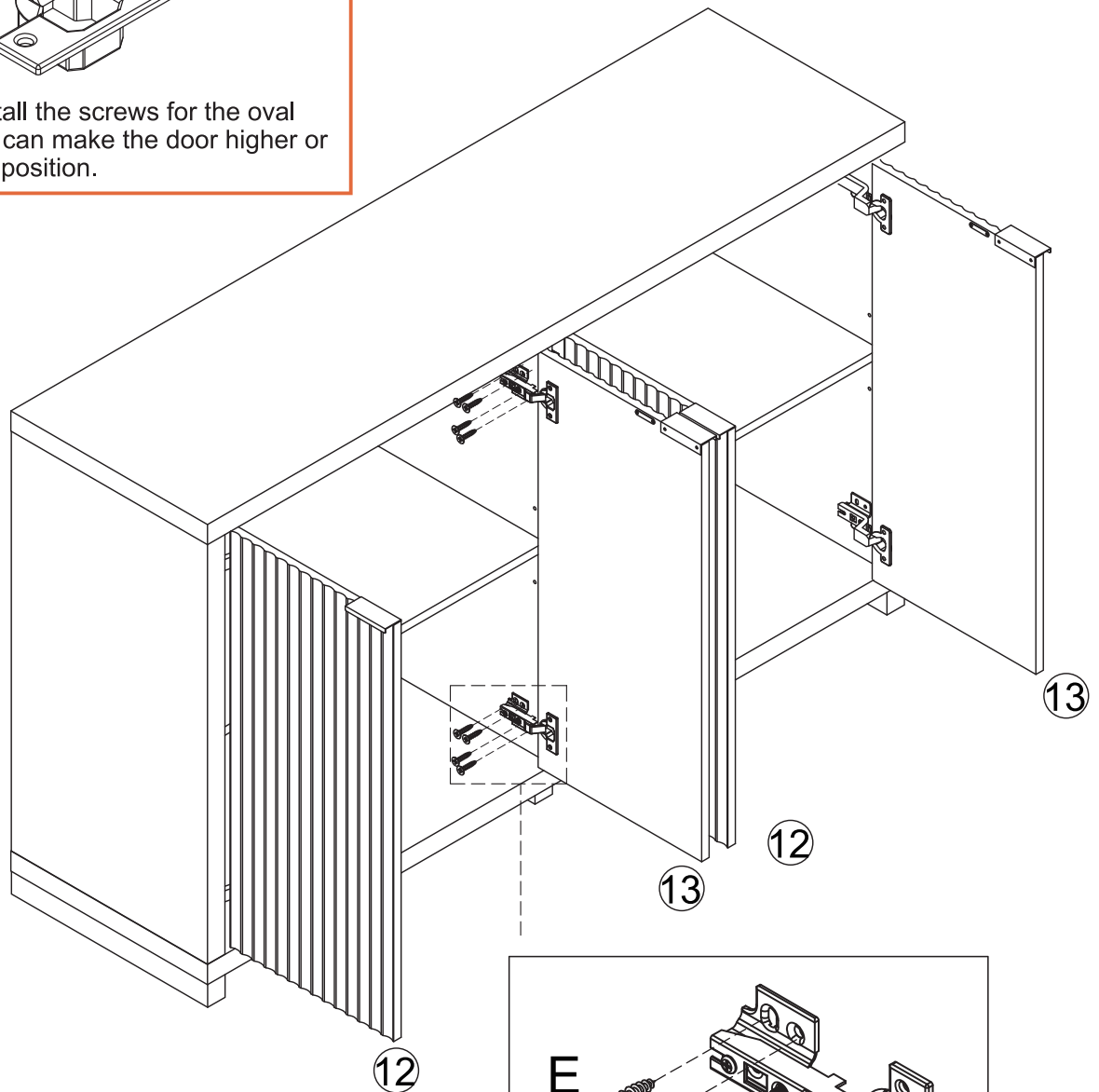
# Assemble Cabinet Doors

E Ø3.5\*12



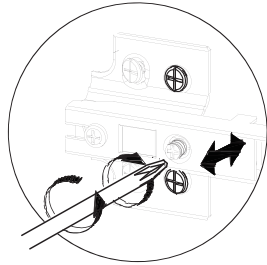
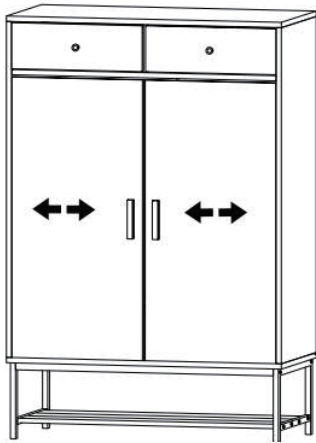
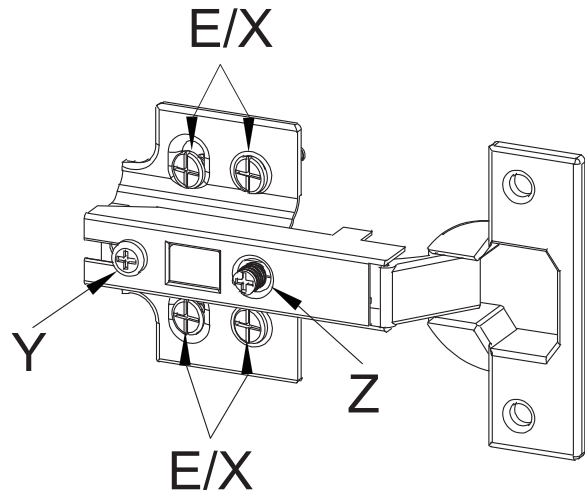
16PCS

We recommend that you install the screws for the oval holes in the hinges first. You can make the door higher or lower with the screws in this position.



**19.** Use E to install panels 12 and 13, which are equipped with W, to the cabinet body separately, as shown in the figure.

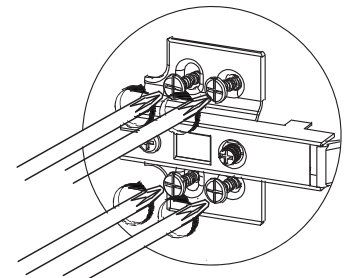
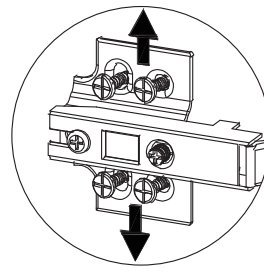
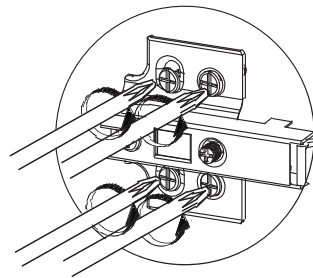
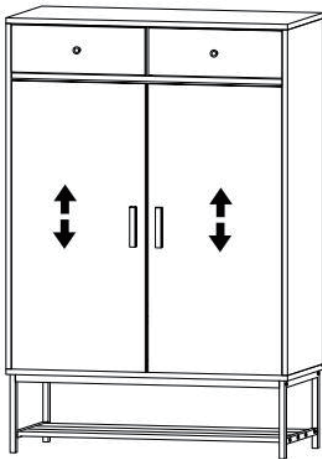
# Adjustable Cabinet Doors



**If you find a large gap between or beside the door.**

**To adjust side ways.**

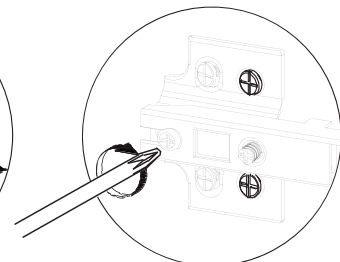
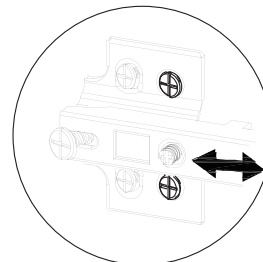
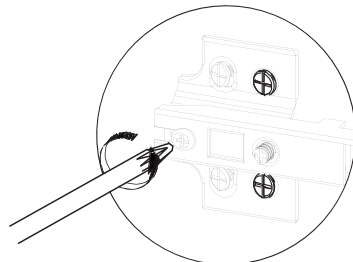
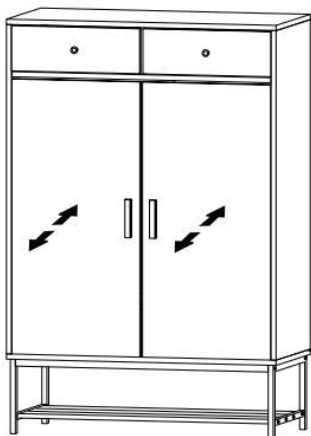
Turning the screw "Z" on BOTH hinges on each door.



**If you find a large gap above or below the door.**

**To adjust the vertical height.**

Loosen the four screws "E/X" on both hinges. Two of them are usually in slotted holes which allows you to adjust up or down by a few mm. Then tighten back up.


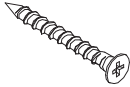


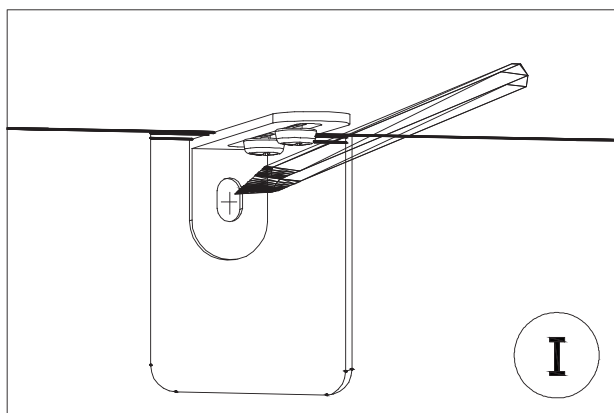
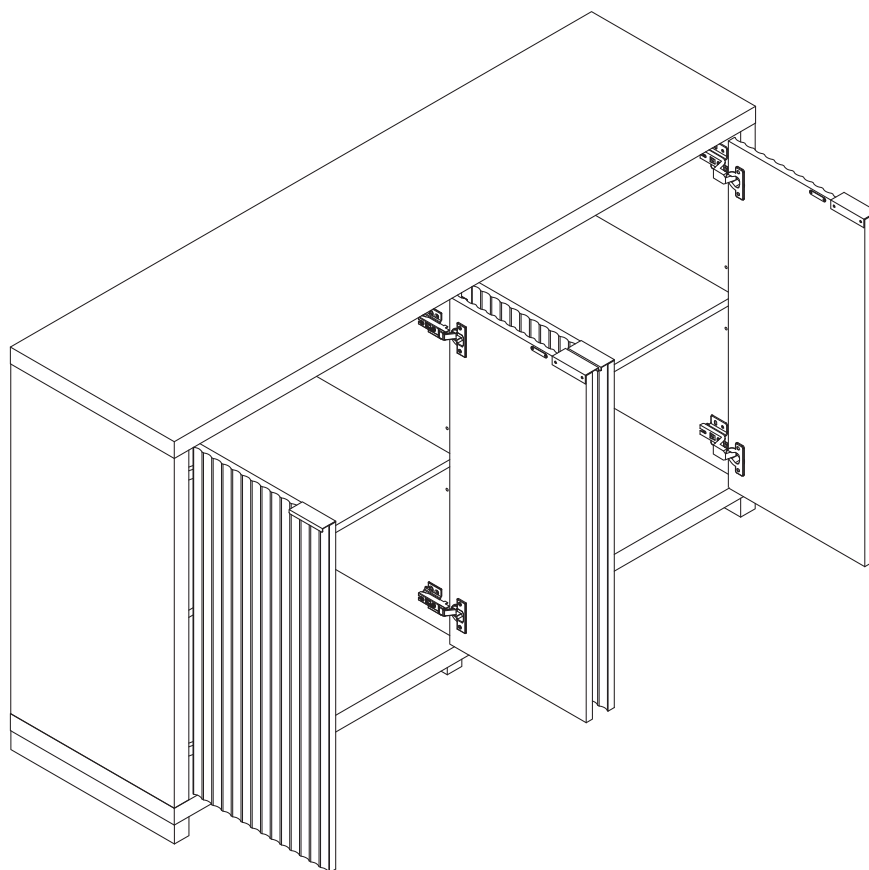
**If you find the door is too protruding or too inside.**

**To adjust depth.**

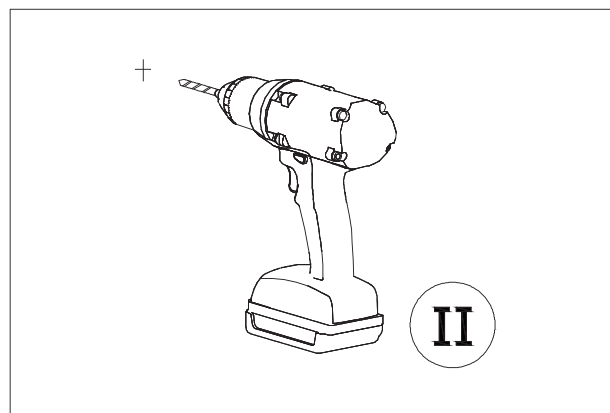
Loosen screw "Y" and adjust door, if the door cannot be adjusted, please loosen screw "Z", then try again. Tighten screw "Y" and "Z".

# Assemble Anti-tipping Equipment

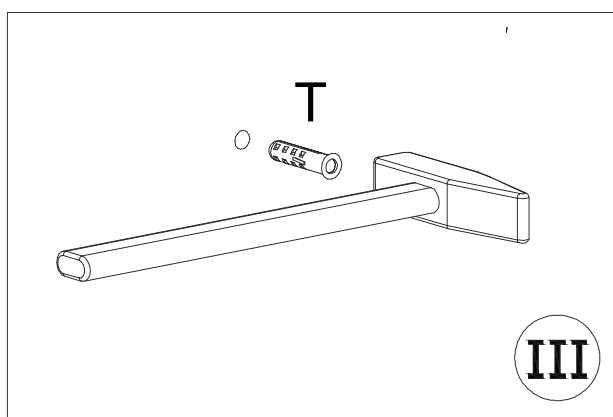
|                                                                                     |                                                                                     |
|-------------------------------------------------------------------------------------|-------------------------------------------------------------------------------------|
| T                                                                                   | U Ø4*35                                                                             |
|  |  |
| 2PCS                                                                                | 2PCS                                                                                |



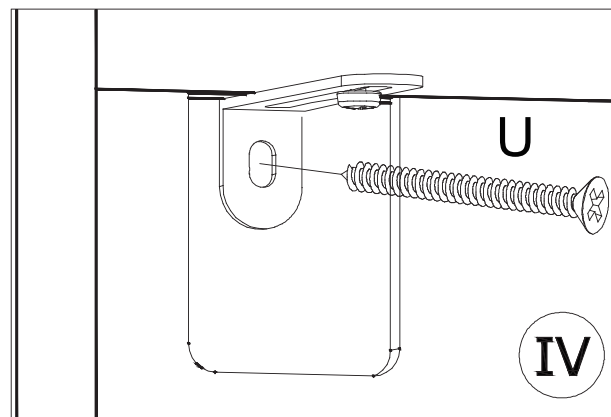
(1) Select a suitable location and mark the position where you want to make the hole.



(2) Drill a hole in the wall.



(3) Use a hammer to fit a T into the hole.



(4) Putting U into T

**20.** In order to prevent the cabinet from tipping over under the influence of external forces, you can mount the cabinet on the wall to avoid accidents.

# Cleaning & Maintenance

- 1.** Daily clean, to the sideboard cabinet cleaning, you should use a clean soft cotton rag to wipe the table surface dust, **DO NOT** use hard, sharp objects to wipe the cabinet surface.
- 2.** Stubborn dirt in the cleaning can use toothpaste or the use of professional detergents diluted to wipe, it will be able to easily remove stubborn dirt clean, but **DO NOT** choose to use the time containing alkaline acid chemical composition of the cleaning agent to clean.
- 3.** The sideboard needs to be well maintained, especially when it is being moved, the sideboard needs to be lifted throughout the entire process and cannot be dragged directly on the ground, as this will damage the floor and the sideboard.
- 4.** Keep the indoor air dry, you should often open the windows and doors to ventilate, so as to avoid the wood moisture deformation, moldy problems.
- 5.** Daily use should avoid sharp objects bumping the surface of the cabinet or cabinet, so it is easy to leave scratches on it.

**Please feel free to contact us if anything is missing or damaged. We are glad to solve any problems you may have during the assembly.**

**FurnitureHomeCare@outlook.com**