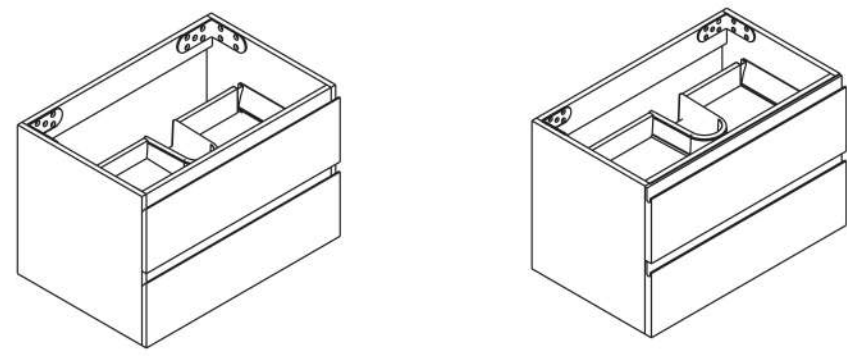


Wall-mounted Vanity Installation Guide

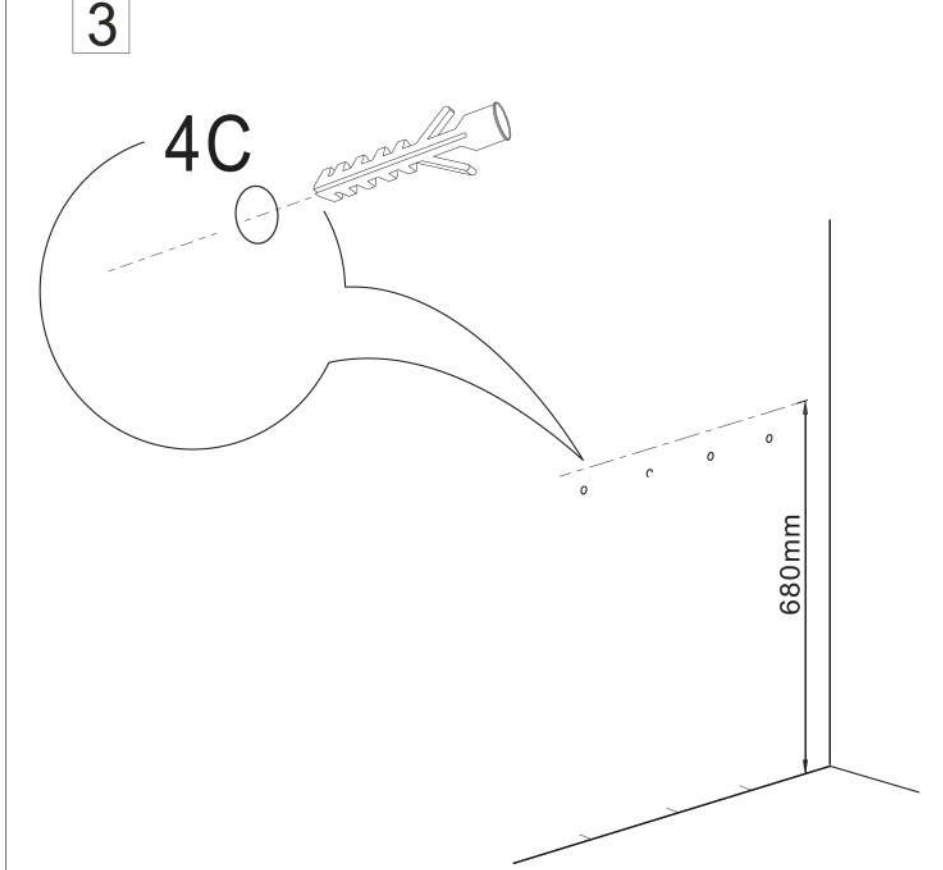
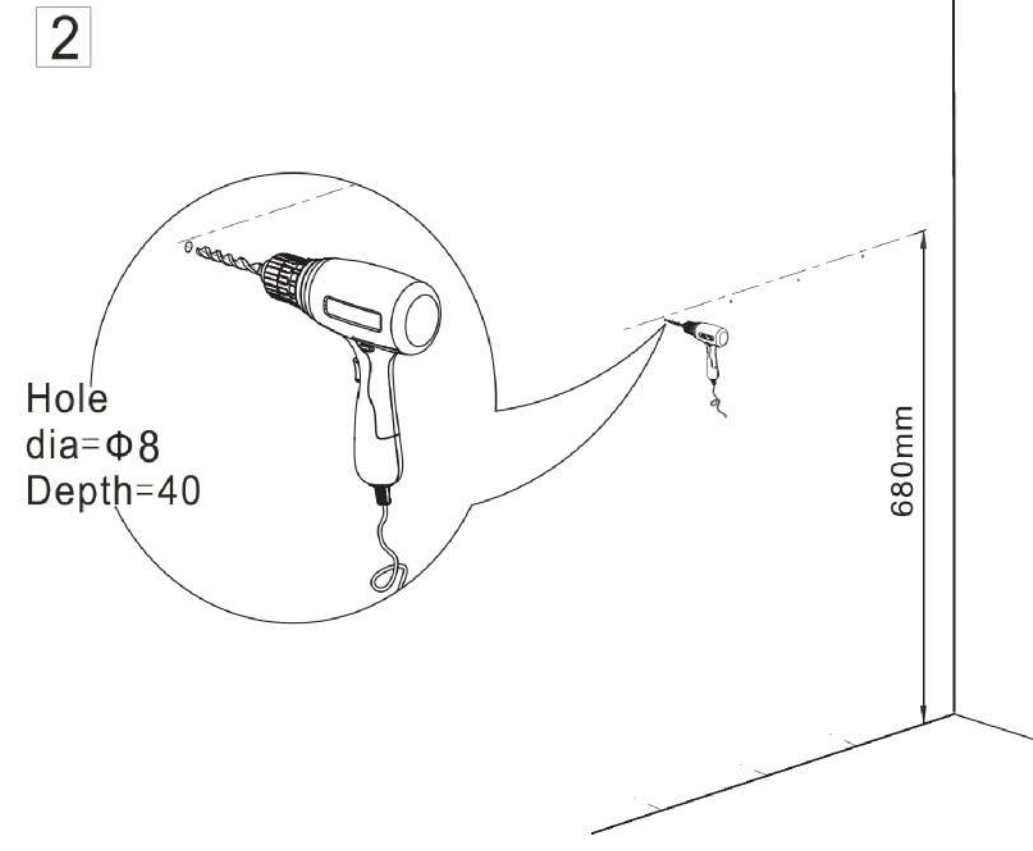
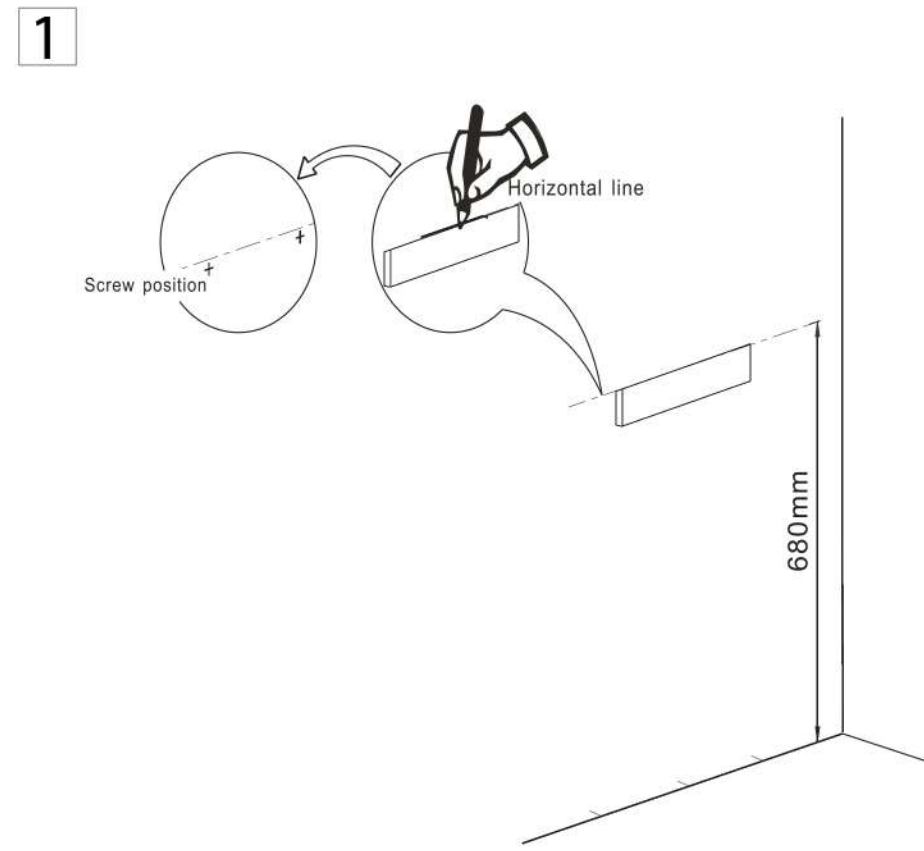


Electric drill Drill bit (Φ8/Φ5) Tape measure (3m~5m)

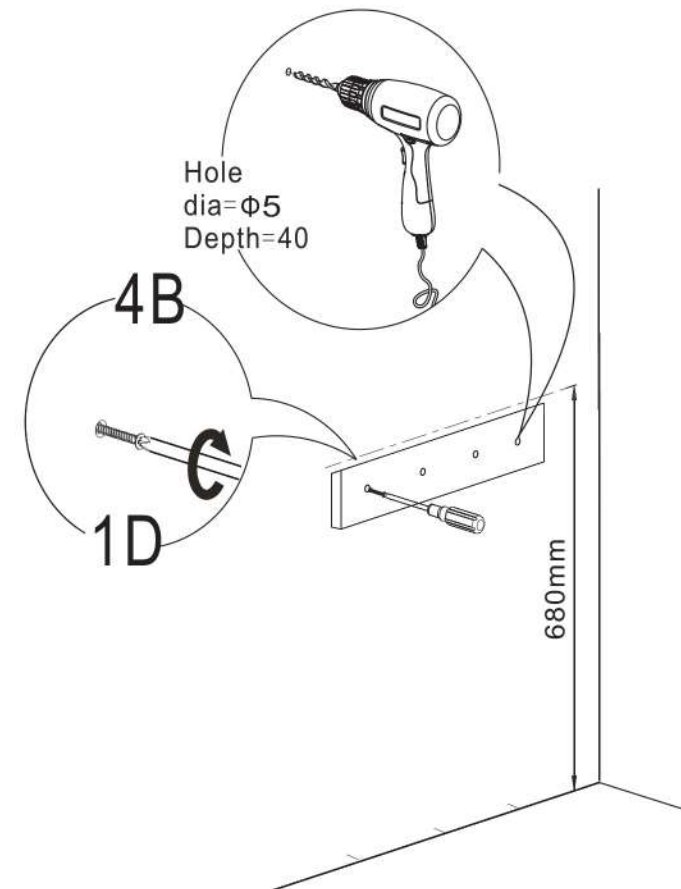


Silicone Pencil Screwdriver

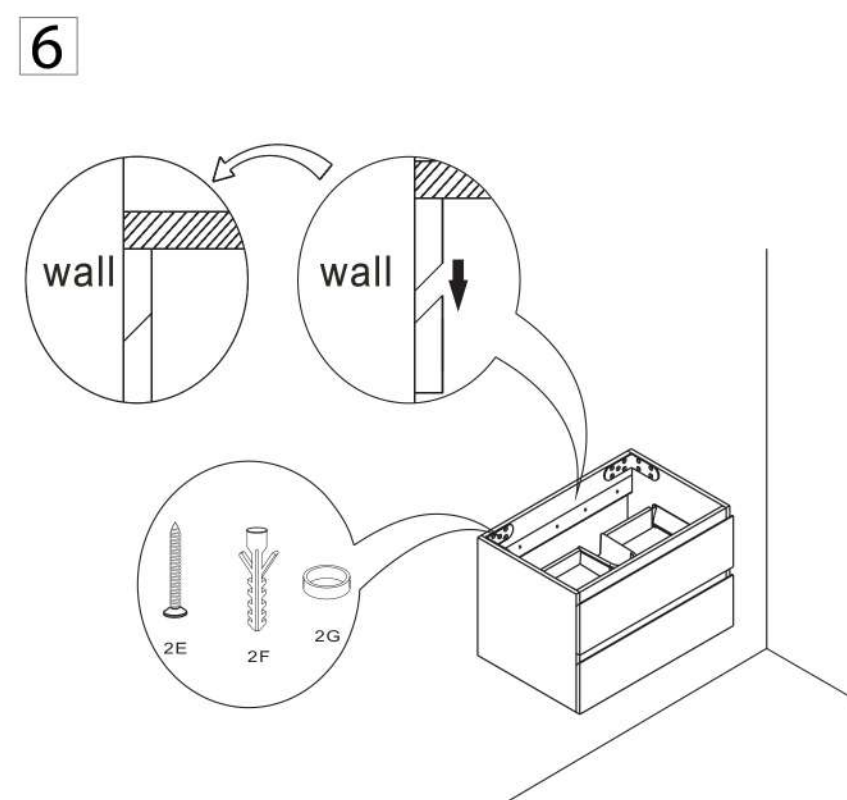
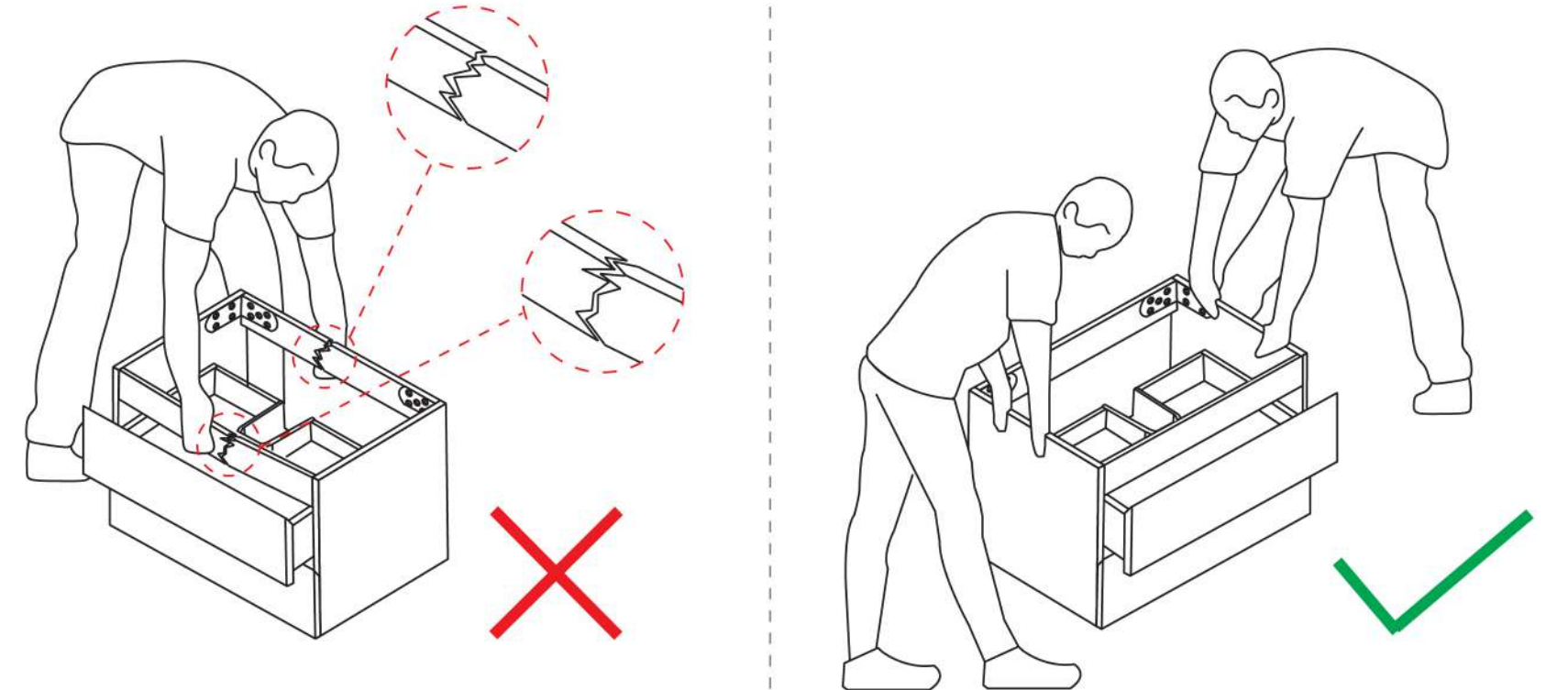
Tools required for installation



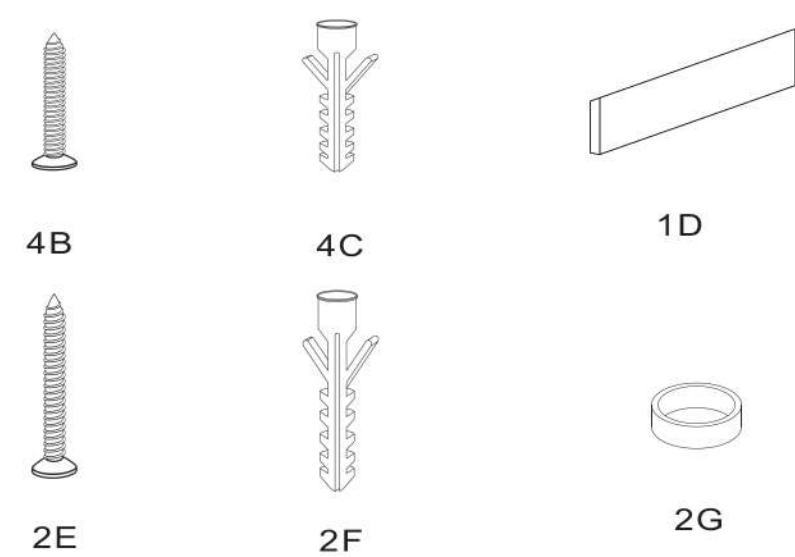
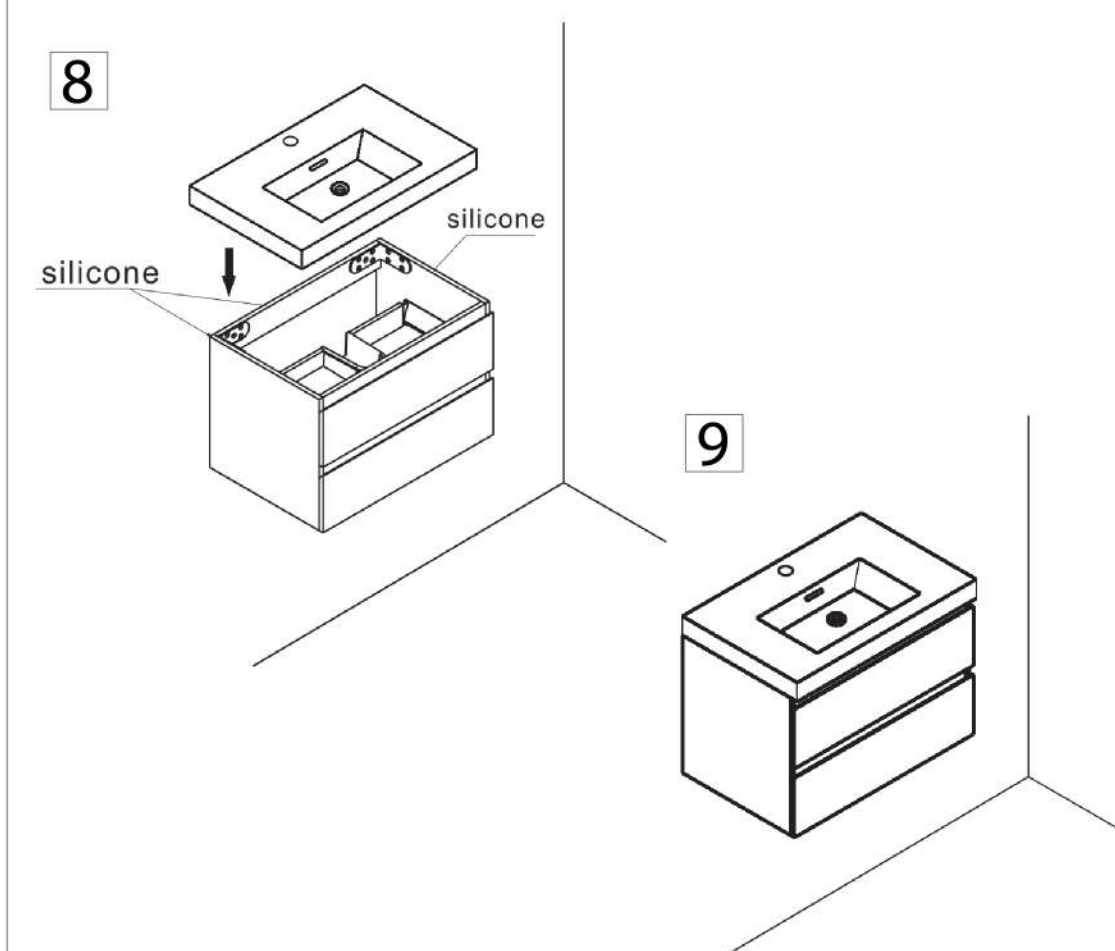
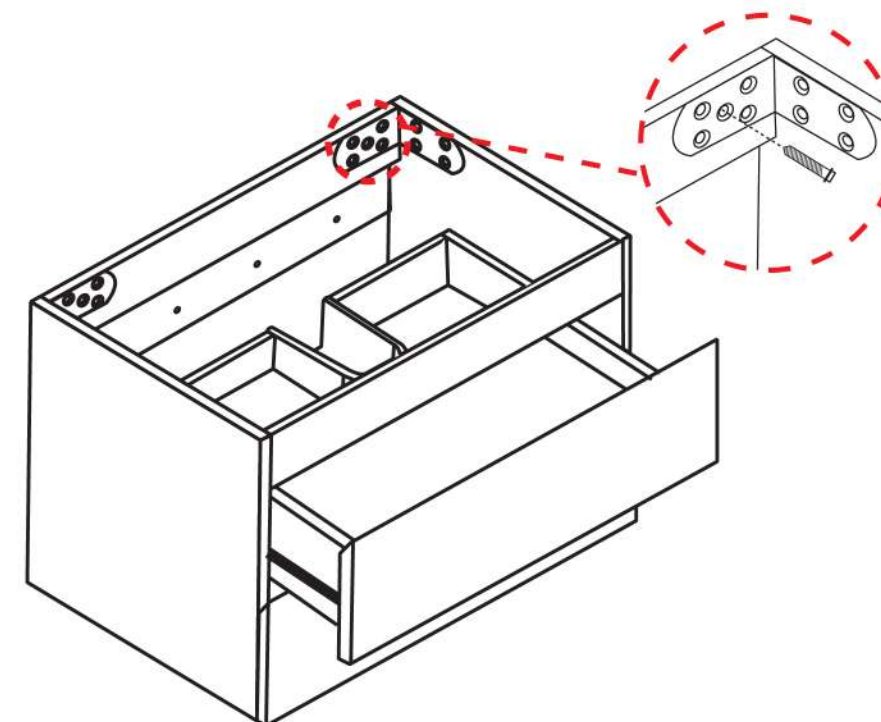
4 **!** Please make sure to install screws on the wooden stud of the wall to help stabilize.



5 **!** Please unpack/install the base by holding it on the side of the item, not the front or the back piece.



7 **!** Please fix the cabinet with M6x65 screws which included in the hardware pack, make sure the screw were installed on the wooden stud of the wall.



Parts required for installation