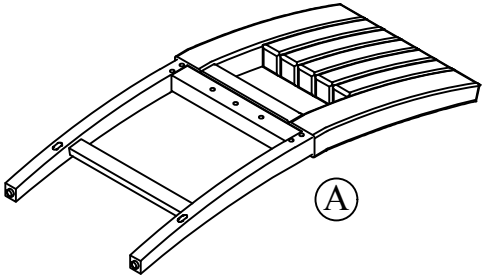
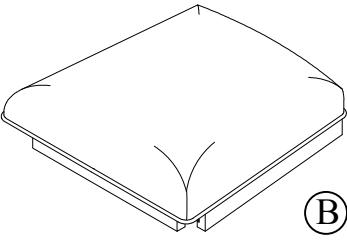
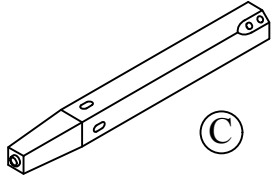
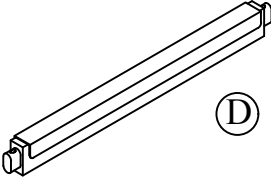
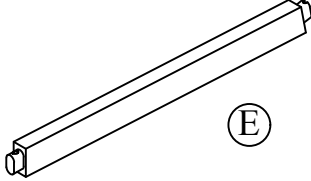
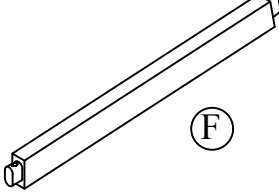





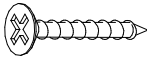



ASSEMBLY INSTRUCTIONS

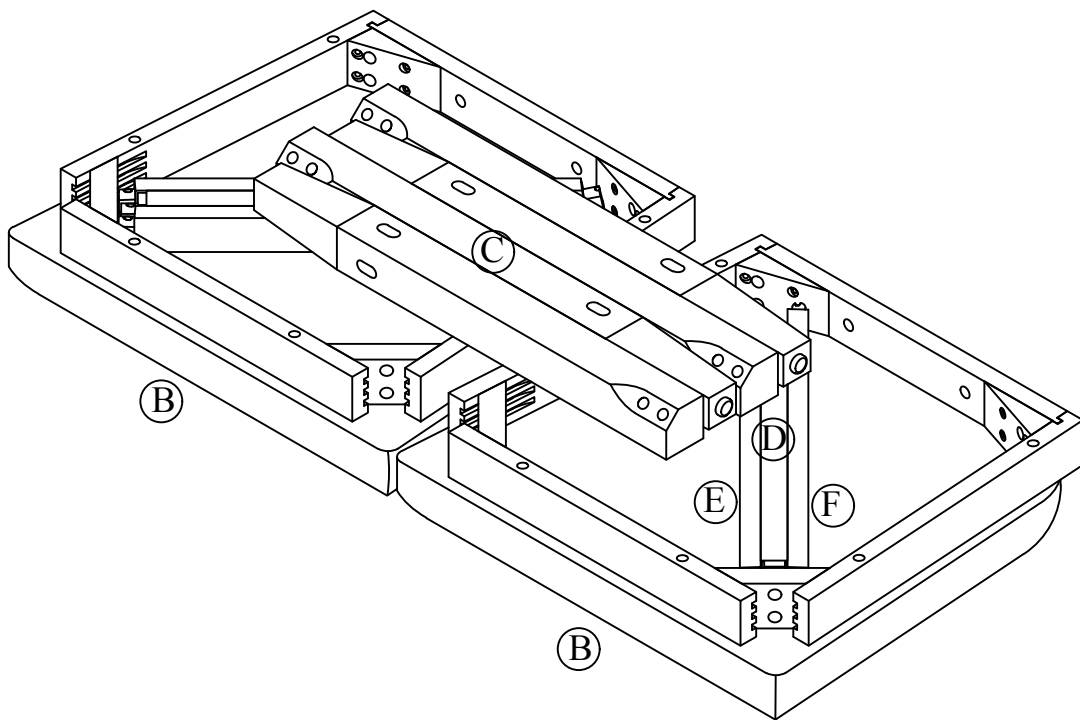
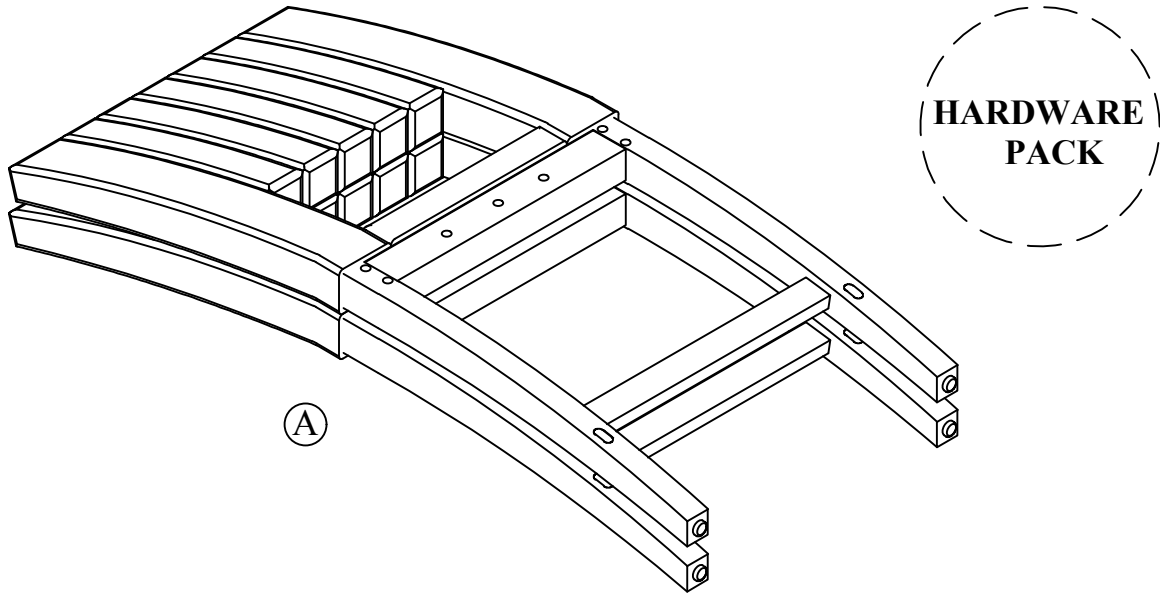
PARTS & HARDWARE LIST

 <p>(A)</p> <p>CHAIR BACK x 2</p>	 <p>(B)</p> <p>CUSHION SEAT x 2</p>	 <p>(C)</p> <p>FRONT LEG x 4</p>
 <p>(D)</p> <p>FRONT STRETCHER x 2</p>	 <p>(E)</p> <p>LEFT SIDE STRETCHER x 2</p>	 <p>(F)</p> <p>RIGHT SIDE STRETCHER x 2</p>
<p>(H1)</p>  <p>SHORT BOLT x 4 (Ø5/16" *40mm)</p>	<p>(H2)</p>  <p>MEDIUM BOLT x 8 (Ø5/16" *55 mm)</p>	<p>(H3)</p>  <p>LONG BOLT x 8 (Ø5/16" *75mm)</p>
<p>(H4)</p>  <p>SPRING WASHER x 20 (Ø5/16")</p>	<p>(H5)</p>  <p>FLAT WASHER x 20 (Ø5/16")</p>	<p>(H6)</p>  <p>SCREW x 12 (4x38mm)</p>
<p>(H7)</p>  <p>ALLEN KEY x 1 (M4)</p>		

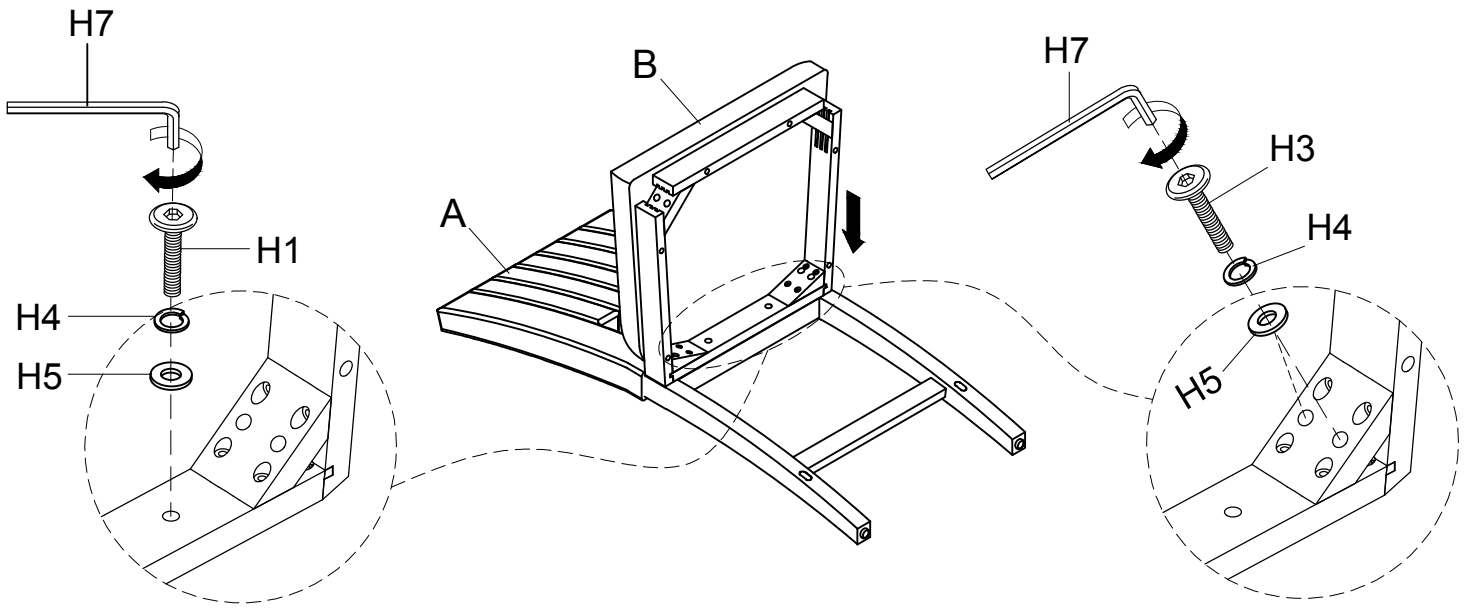
NOTES :

1. CHECK CAREFULLY FOR SMALL PARTS WHICH MAY COME LOOSE DURING SHIPMENT.
2. REMOVE ALL COMPONENTS FROM THE PACK AND PLACE ON A CLEAN, SOFT SURFACE TO ASSEMBLE.
3. UNITS SHOULD BE ASSEMBLED BY TWO OR MORE PEOPLE.
4. DO NOT OVER - TIGHTEN SCREW/ BOLTS UNTIL ASSEMBLY IS COMPLETED.
5. WITH USE, SCREW/ BOLT MAY BE COME LOOSE & MUST BE TIGHTENED PERIODICALLY.

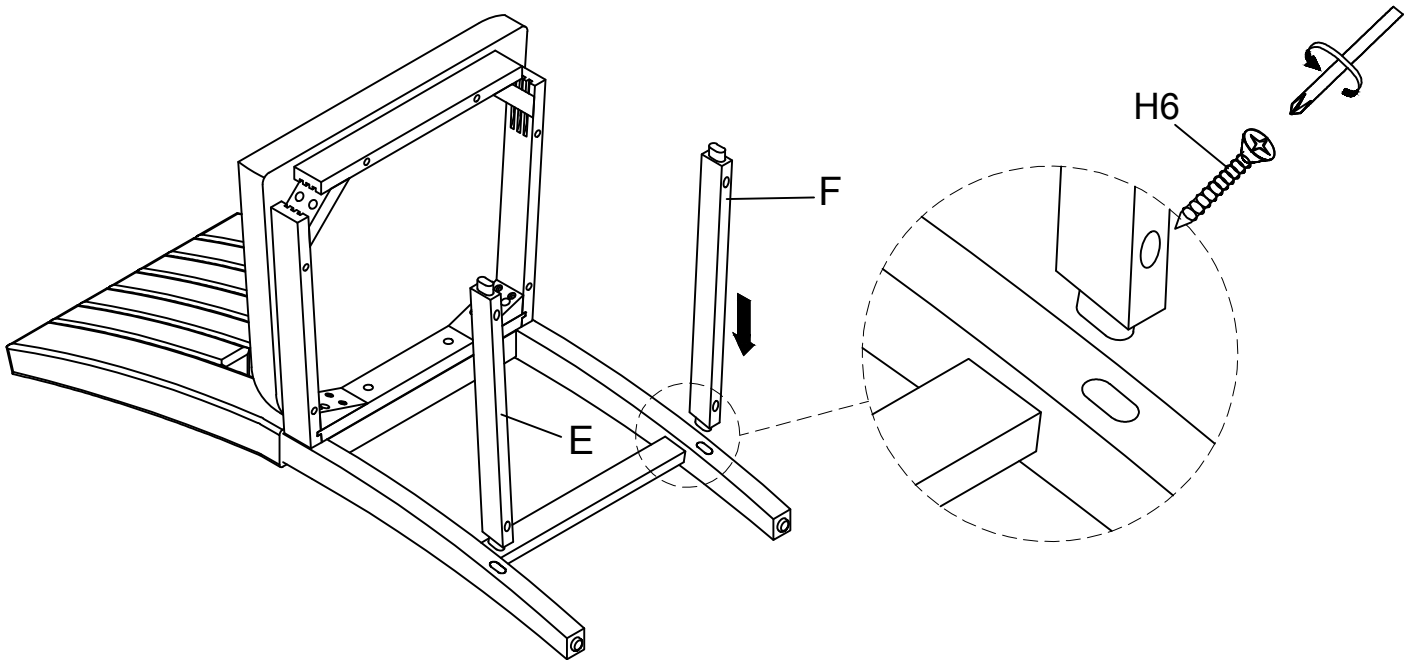
HARDWARE BLISTER PACK IS STORED ON THE TOP OF THE CHAIR BACK.



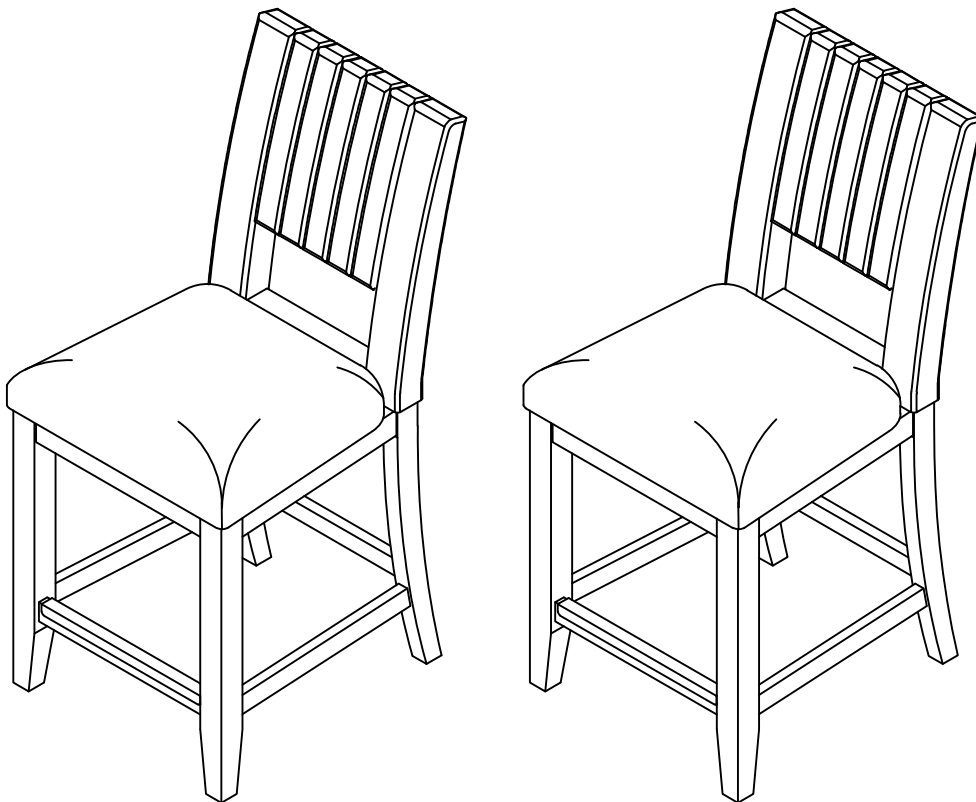
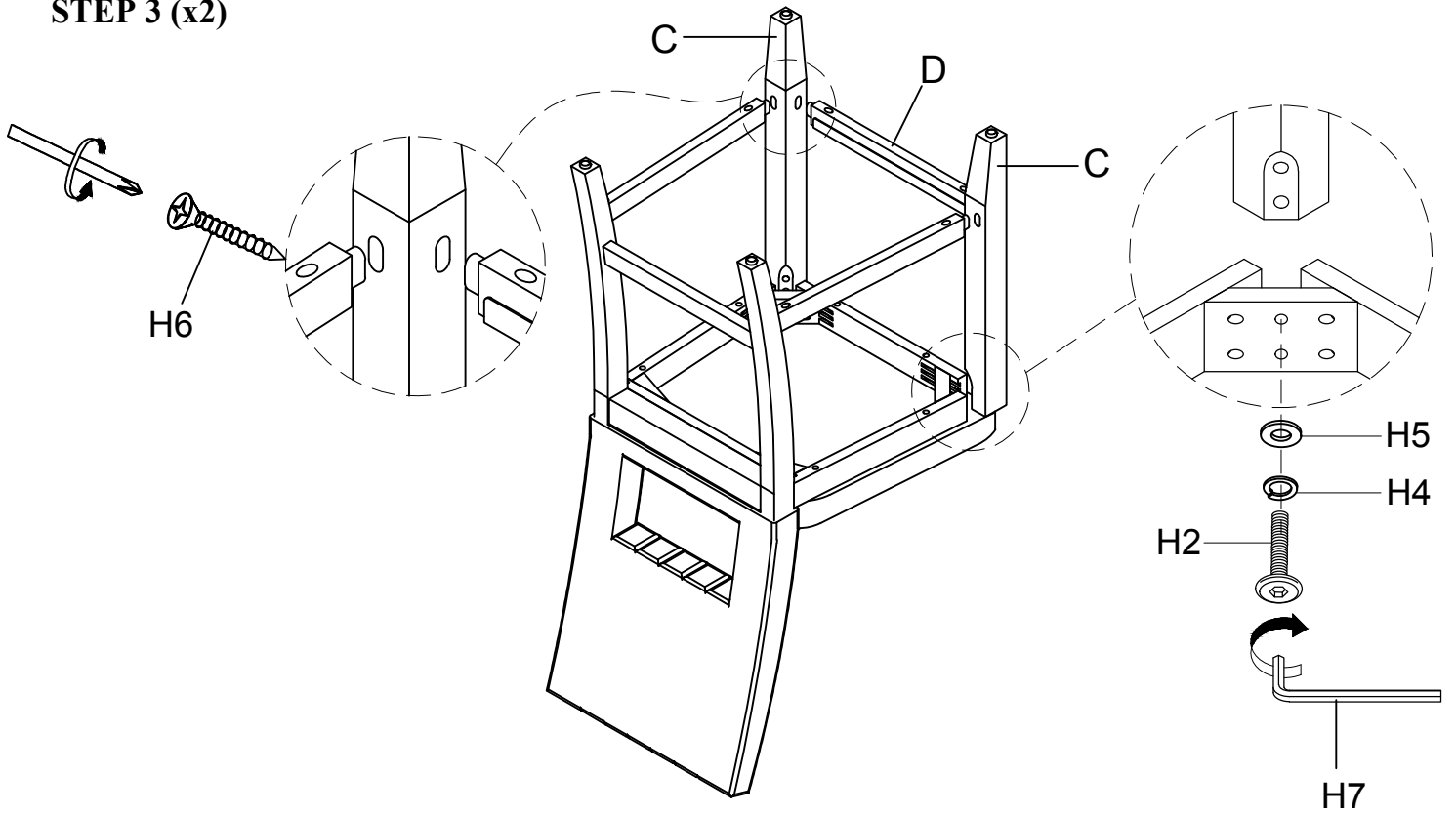
STEP 1 (x2)



STEP 2 (x2)



STEP 3 (x2)



CHAIR ASSEMBLY COMPLETED