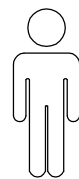
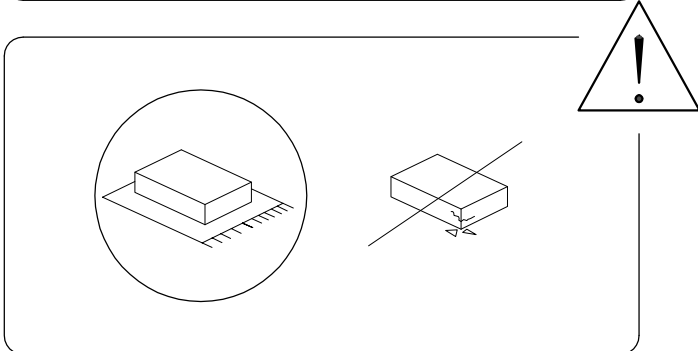
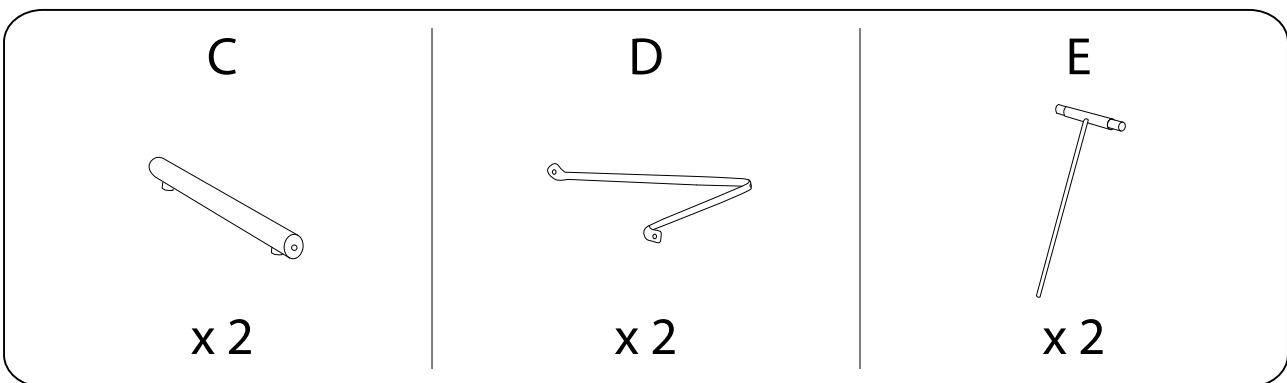
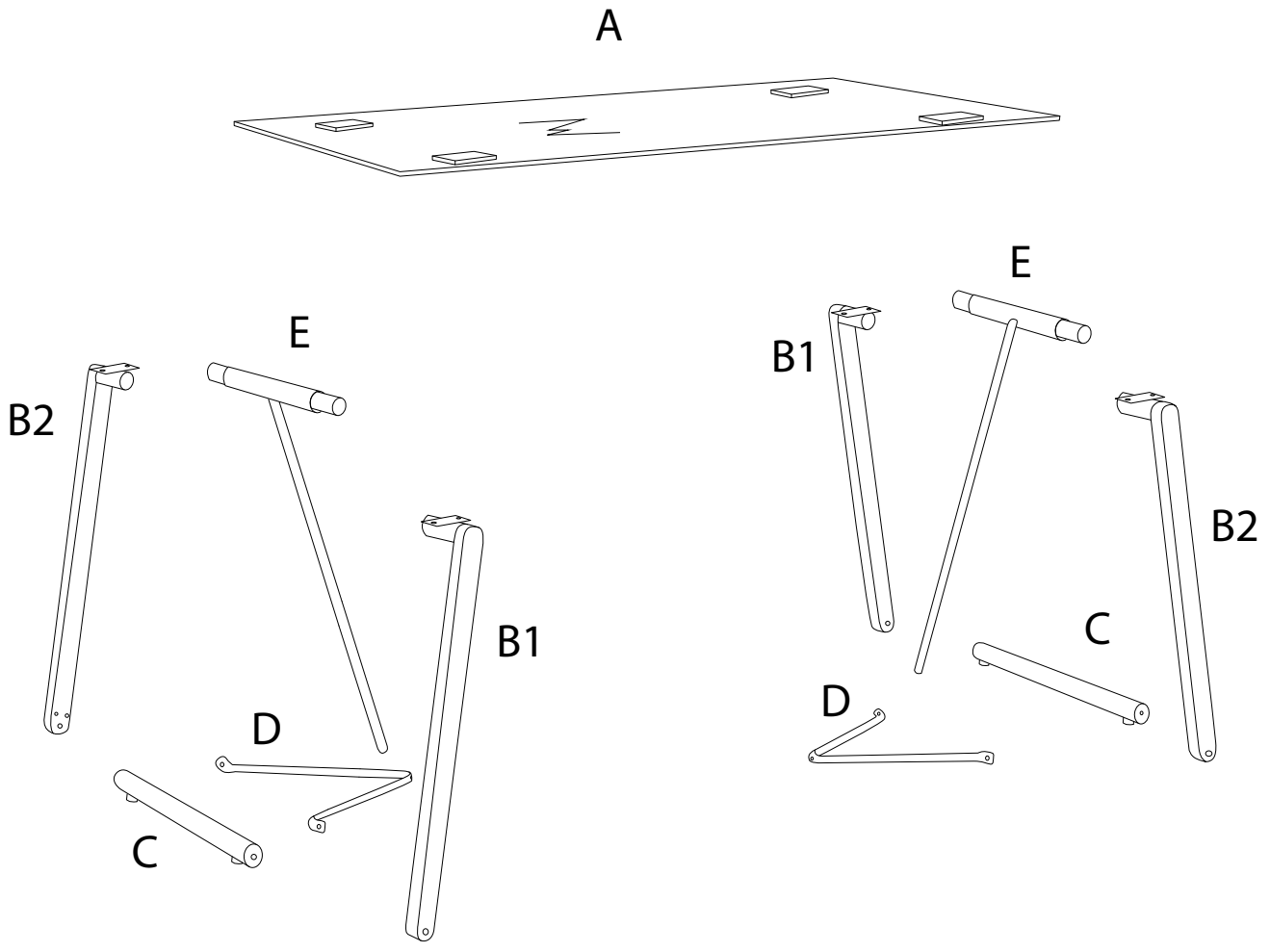
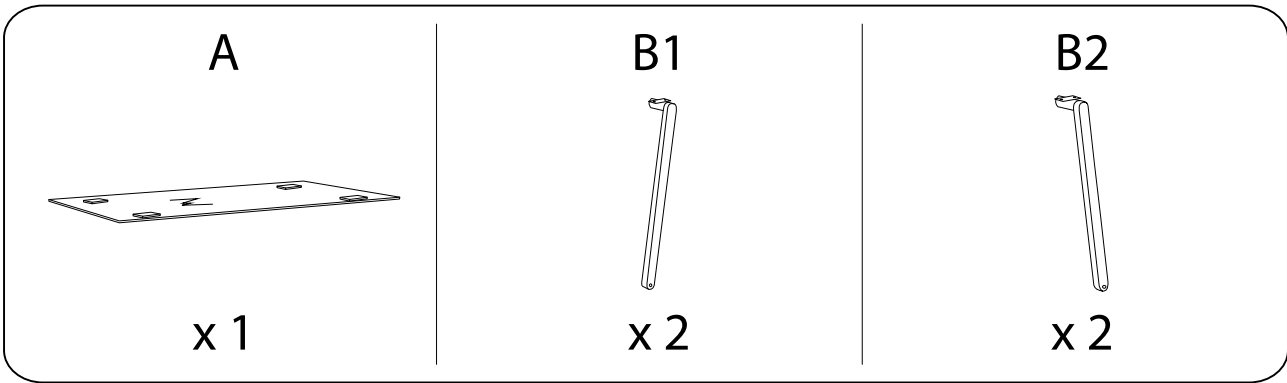


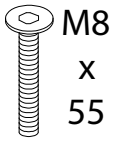
40'



2

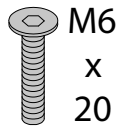


F



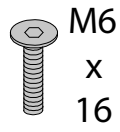
x 4

G



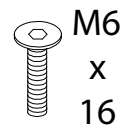
x 2

H



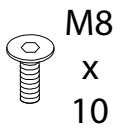
x 4

I



x 4

J



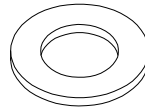
x 8

K



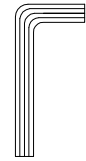
x 4

L



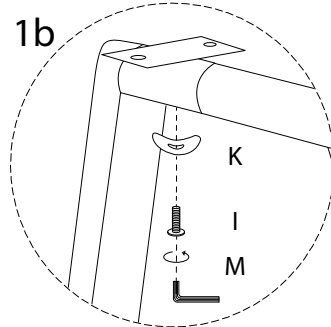
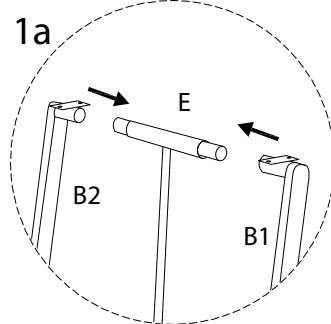
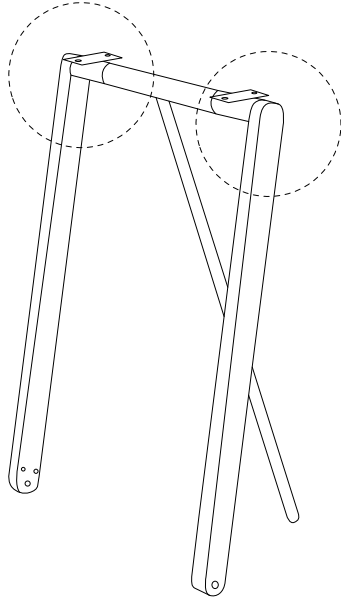
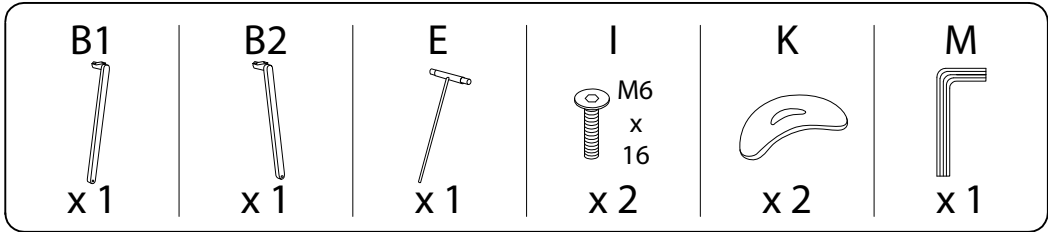
x 8

M

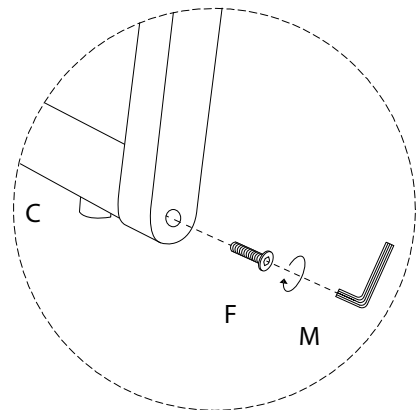
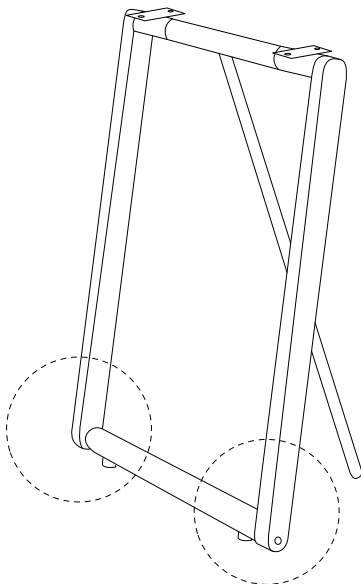
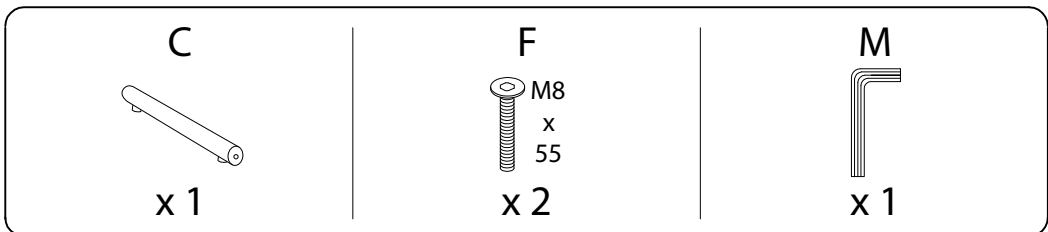


x 1

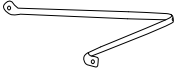

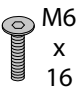
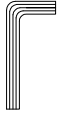
1 x 2

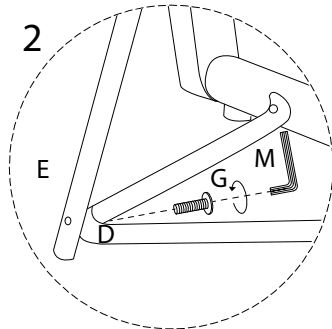
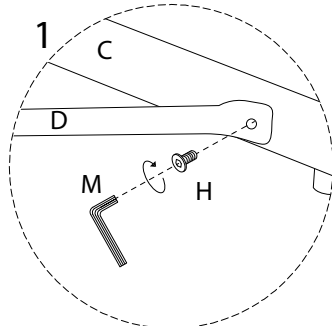
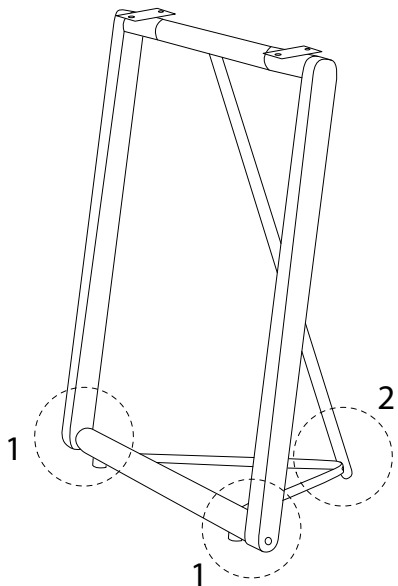


2 x 2


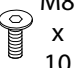
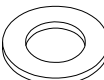
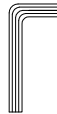


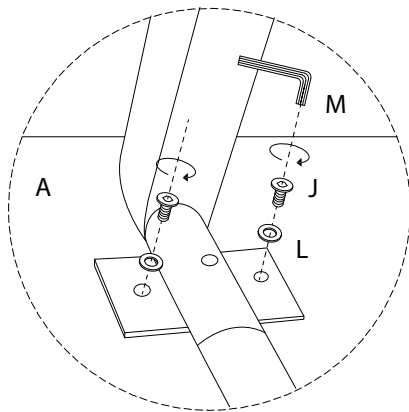
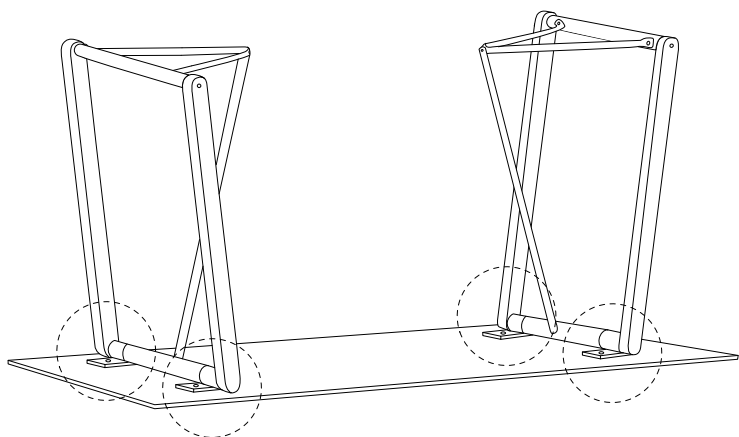
3 x 2

D  x 1	G  x 1	H  x 2	M  x 1
--	--	---	--



4

A  x 1	J  x 8	L  x 8	M  x 1
--	--	---	--



!

