

Sit-Stand Mobile Laptop Desk Cart

Model #: OFF64802B /OFF64803B

Customer Service Information

Seville Classics, Inc.

Telephone: (800) 323-5565

Fax: (310) 533-3899

Hours: 8:30 AM – 4:30 PM (PST)

Email: Support@SevilleClassics.com

Online Store: www.SevilleClassics.com

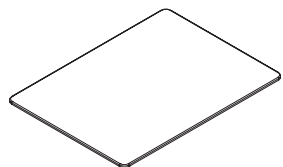
Thank you for choosing Seville Classics!

We hope you enjoy your new mobile laptop desk cart. Please read through these assembly instructions and frequently asked questions to ensure proper assembly.

The contact information for our live customer support team based in California is on the last page.

Please review the below parts list to ensure you received all the necessary parts.
 If you are missing any parts or have trouble with assembly,
 please contact our live customer support team at **(800) 323-5565** or
Support@sevilleclassics.com, which can assist you in both English and Spanish.

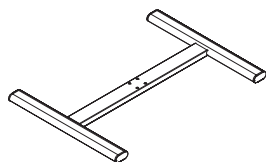
Parts List



A. Top (1 pc)



B. Column (1 pc)



C. Base (1 pc)



D. Medium Bolt M6 x 12 (3 pcs)



E. Long Bolt M6 x 40 (4 pcs)



F. Locking Caster (2 pcs)



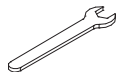
G. Caster (2 pcs)



H. Large Washer (4 pcs)



I. Small Washer (4 pcs)



J. 12mm Wrench (1 pc)



K. 5mm Hex key (4 pcs)

Attention:

Do not fully tighten all the screws until all of them are in the right position.

WARNING

- Do not tip over or place the fully assembled desk upside down.
- Do not place more than 35 lbs. on the desk top.

Please visit **sevilleclassics.com** to shop our wide range of products.

Feel free to contact our customer service team if you need help with assembly, have questions, or need any missing parts. Our live customer support team is based in California and available to assist you in both English and Spanish.



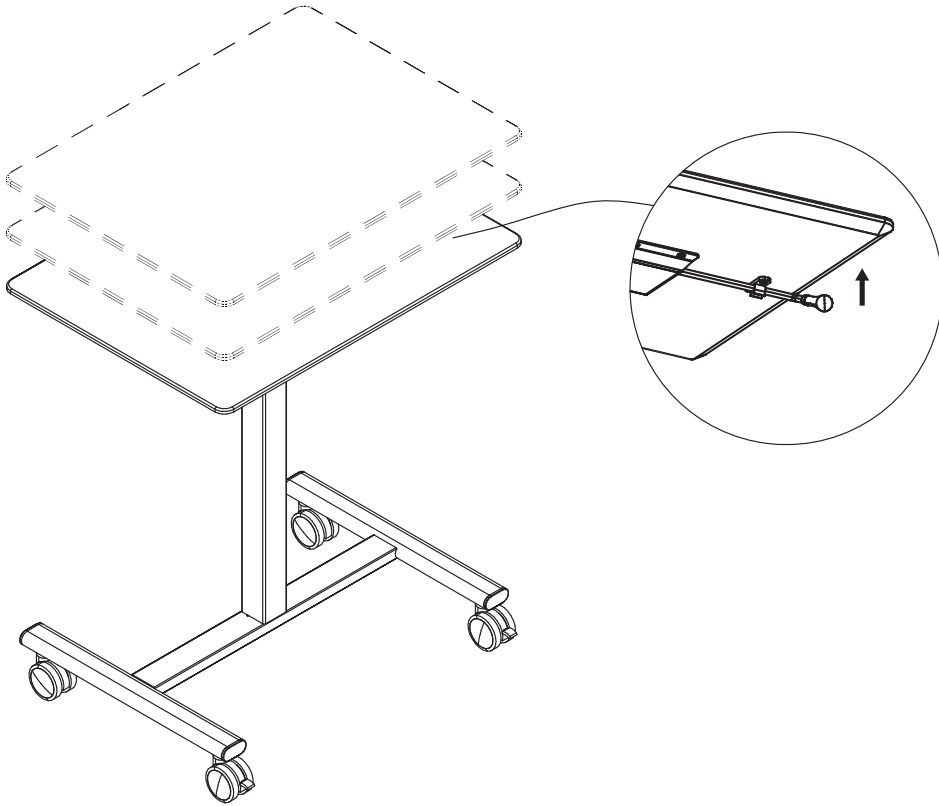
Note:

Please be considerate of the environment and recycle the brown box the item was delivered in along with all applicable packaging materials. Thank you.

Use Instructions

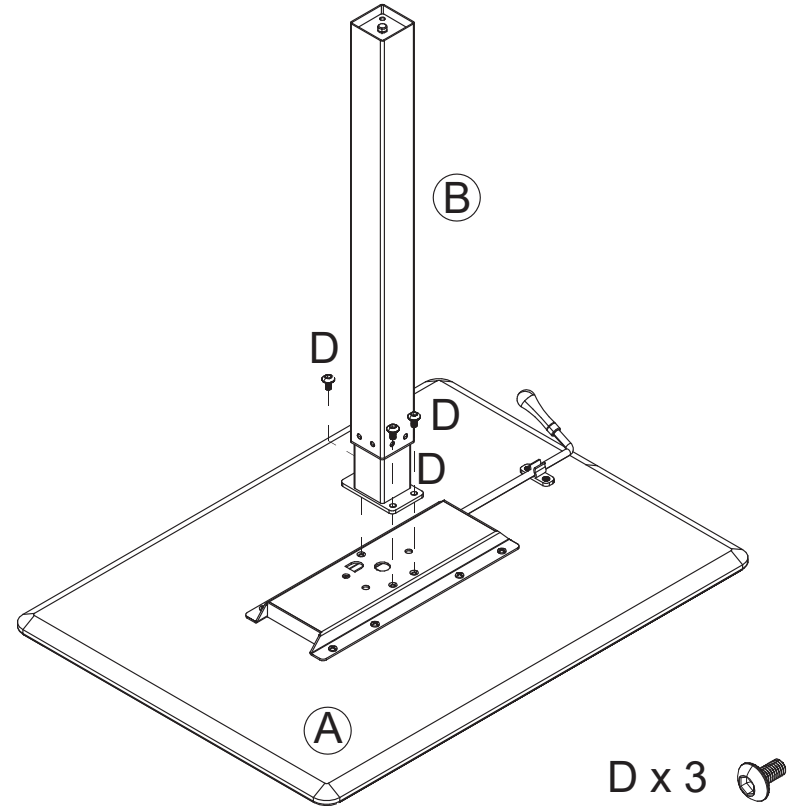
- Roll the desk into the desired position.
- Lock the casters to prevent the desk from moving.
- To raise the desktop, pull up on the adjustment lever.
- To lower the desktop, pull up on the adjustment level while pressing down on the desktop.
- Release the adjustment lever to lock-in the desktop height.

Congratulations!
Enjoy your new Mobile Desk Cart!



STEP 1.

Align the **COLUMN (B)** with the holes on the bottom side of the **TOP (A)**.
Attach the column and top using three **MEDIUM BOLTS (D)** using the **HEX KEY (K)**.

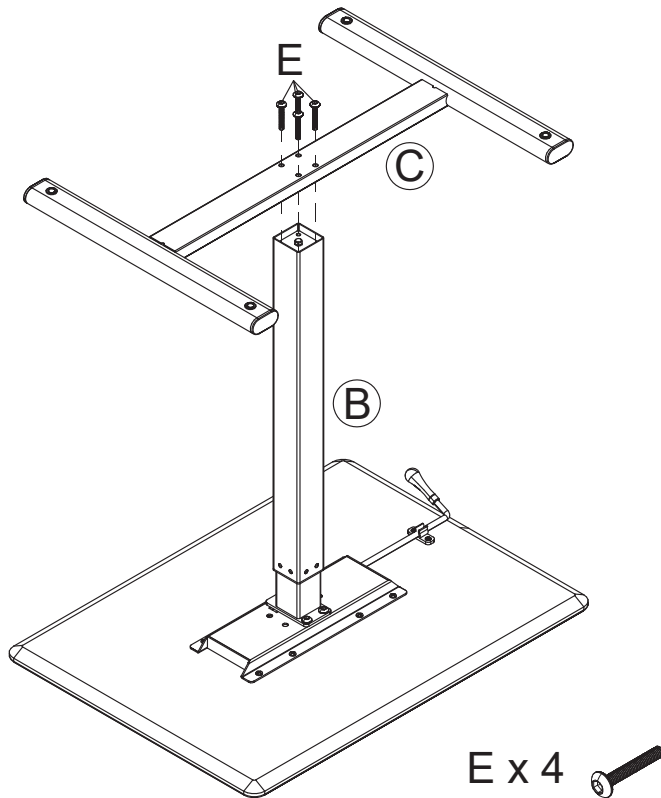


STEP 2.

Align the **COLUMN (B)** with the holes on the top side of the **BASE (C)**.

Make sure the holes on the bottom of the base are facing upward as shown below.

Attached the column and base using four **LONG BOLTS (E)** and the **HEX KEY (K)**.



STEP 3.

Attach the two **LOCKING CASTERS (F)** to the underside of the **BASE (C)** using two **LARGE WASHERS (H)** and two **SMALL WASHERS (I)** using the **HEX KEY (K)**.

Repeat this step and attach the two **CASTERS (G)** to the opposite side of the **BASE (C)** using two **LARGE WASHERS (H)** and two **SMALL WASHERS (I)** using the **HEX KEY (K)**.

