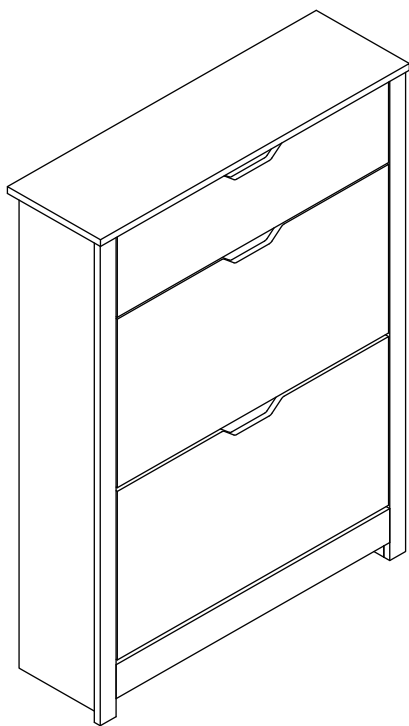


# Instruction Manual

## Windsor 2 Door + 1 Drawer

### Shoe Cabinet



# CONTENTS

---

Safety and care advice	<b>1</b>
Components	<b>2</b>
Assembly instructions	<b>5</b>
Copyright	<b>16</b>

---



# SAFETY AND CARE ADVICE



**PLEASE READ THESE INSTRUCTIONS CAREFULLY AND KEEP FOR FUTURE REFERENCE**

**Warning:** Please lift with care.

- Check you have all the components and tools listed on pages 2 and 3.
- Remove all fittings from the plastic bags and separate them into their groups.
- Keep children and animals away from the work area, small parts could choke if swallowed.
- Make sure you have enough space to layout the parts before starting.
- Do not stand or put weight on the product, this could cause damage.
- Assemble the item as close to its final position (in the same room) as possible.
- Assemble on a soft level surface to avoid damaging the unit or your floor (use opened out unit carton).



- We do not recommend the use of power drill/drivers **for inserting screws**, as this could damage the unit. Only use hand screwdrivers.
- Safety note:** If there is any chance of this unit being pulled over by children etc. it is recommended that the unit is secured to a wall using suitable fixings (not supplied).
- Dispose of all packaging carefully and responsibly.

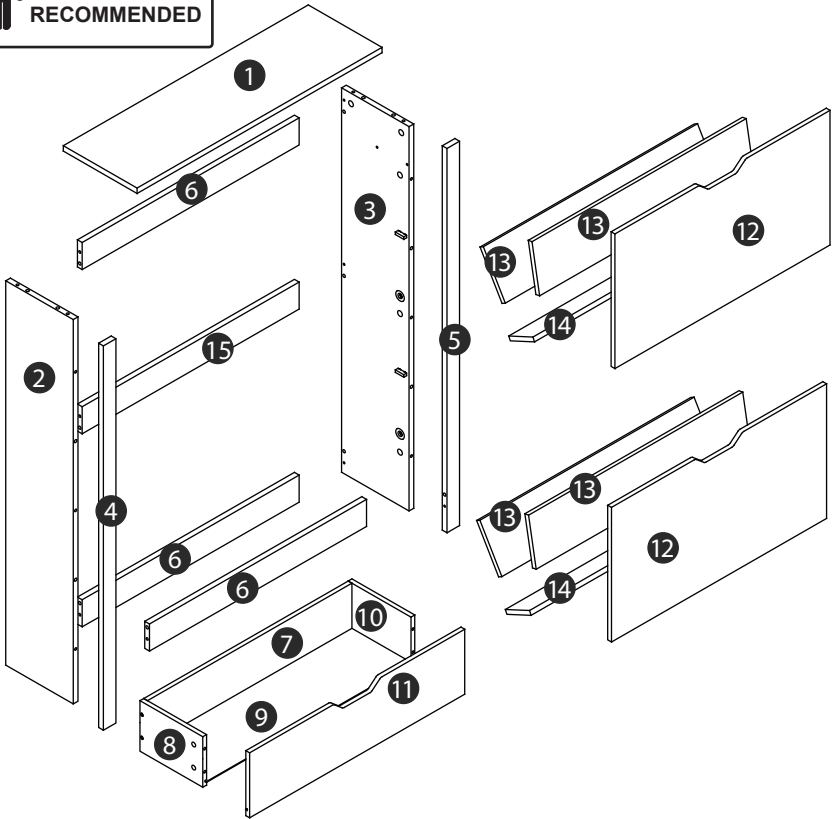
## CARE AND MAINTENANCE

- Only clean using a damp cloth and mild detergent, Do not use bleach or abrasive cleaners.
- From time to time check that there are no loose screws on this unit.
- This product should not be discarded with household waste. Take to your local authority waste disposal center.

**Note:** *If required the next page can be cut out and used as reference throughout the assembly. Keep this page with these instructions for future reference*

# COMPONENTS

Please check you have all the panels listed below:



## PANEL LIST

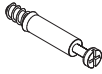
<b>1</b>	Top Panel	x1	<b>9</b>	Drawer Bottom Panel	x1
<b>2</b>	Left Side Panel	x1	<b>10</b>	Drawer Right Panel	x1
<b>3</b>	Right Side Panel	x1	<b>11</b>	Drawer Front Panel	x1
<b>4</b>	Left Front Trim	x1	<b>12</b>	Door	x2
<b>5</b>	Right Front Trim	x1	<b>13</b>	Divider Panel	x4
<b>6</b>	Crossing Bar	x3	<b>14</b>	Bottom Panel	x2
<b>7</b>	Drawer Back Panel	x1	<b>15</b>	Crossing Bar	x1
<b>8</b>	Drawer Left Panel	x1			



# COMPONENTS

Please check you have all the fittings listed below:

**A**



Metal dowel (Ø6x35mm) x 22

**B**



Lock (Ø15x9.5mm) x22

**C**



Wooden dowel (Ø8x30mm) x 16

**D**



Screw (Ø4x30mm) x 4

**E**



Plastic rack left x 2

**F**



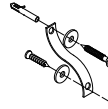
Plastic rack right x 2

**G**



Screw (Ø3x14mm) x 24

**H**



Anti-topple device x 2

**I**



Plastic stopper x 4

**J**



Screw (Ø4x14mm) x 4

**K**



Screw (Ø3.5x12mm) x 8

**L**



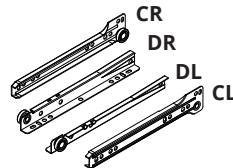
Drawer stopper x 1

**M**



Foot nail x 4

**CR CL DR DL**



Drawer Runner x 1

**TOOLS NEEDED**  
(We don't provide)



Phillips Screwdriver x 1

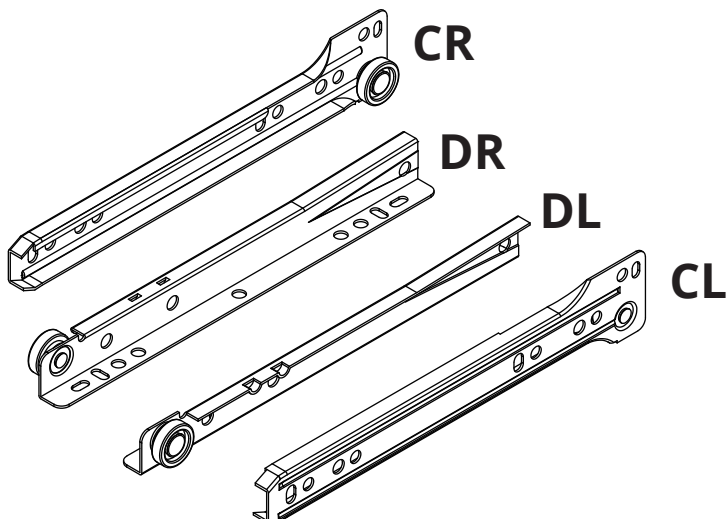


Hammer x 1

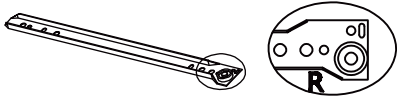
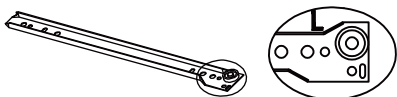
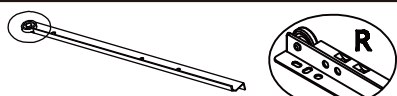
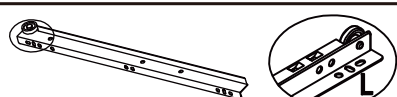


# DRAWER RUNNER INSTRUCTION

⚠ IMPORTANT - Please Read it Carefully  
1 Pair Drawer runner includes 4 pieces.

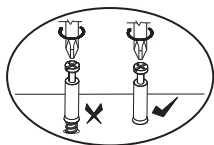


Fittings (not to scale)

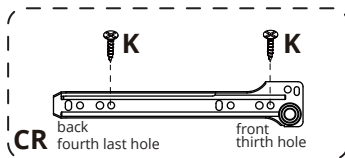
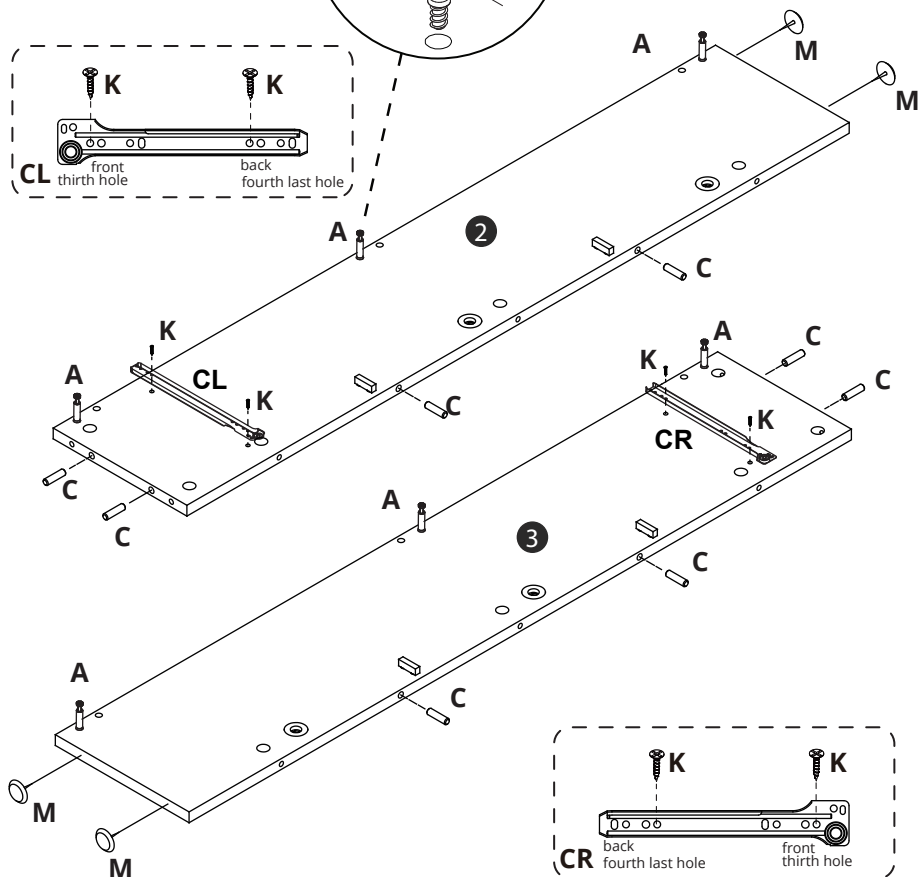
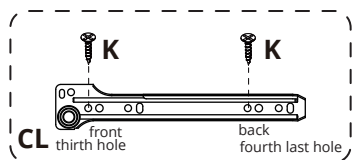
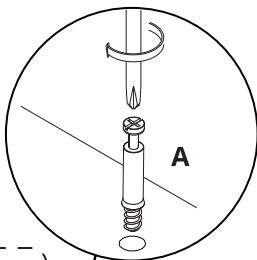
No.	Description	Qty	
<b>CR</b>	Outer Drawer Runner - Right	2	
<b>CL</b>	Outer Drawer Runner - Left	2	
<b>DR</b>	Inner Drawer Runner - Right	2	
<b>DL</b>	Inner Drawer Runner - Left	2	

# ASSEMBLY INSTRUCTIONS

## Step 1

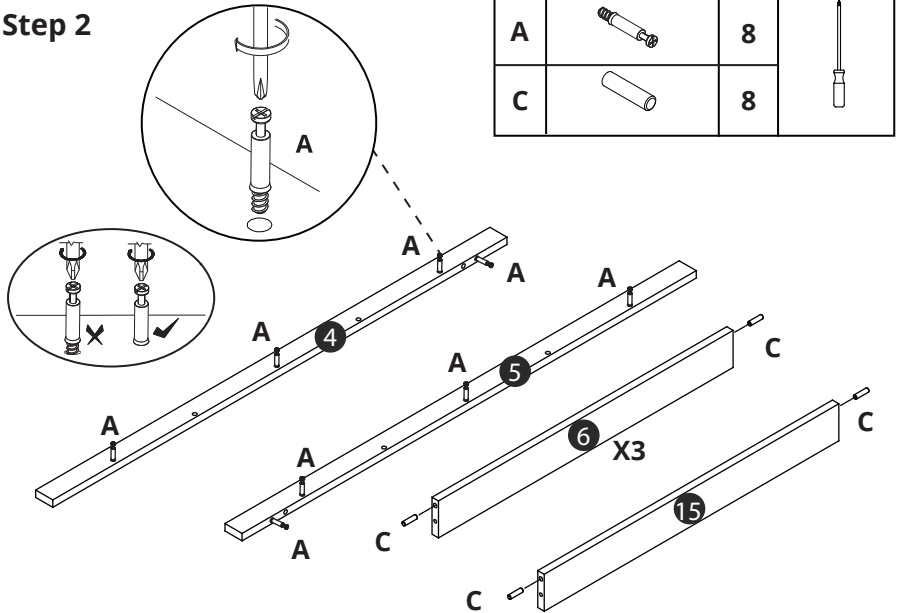


A		6	K		4	
C		8	M		4	
			CR		1	
			CL		1	

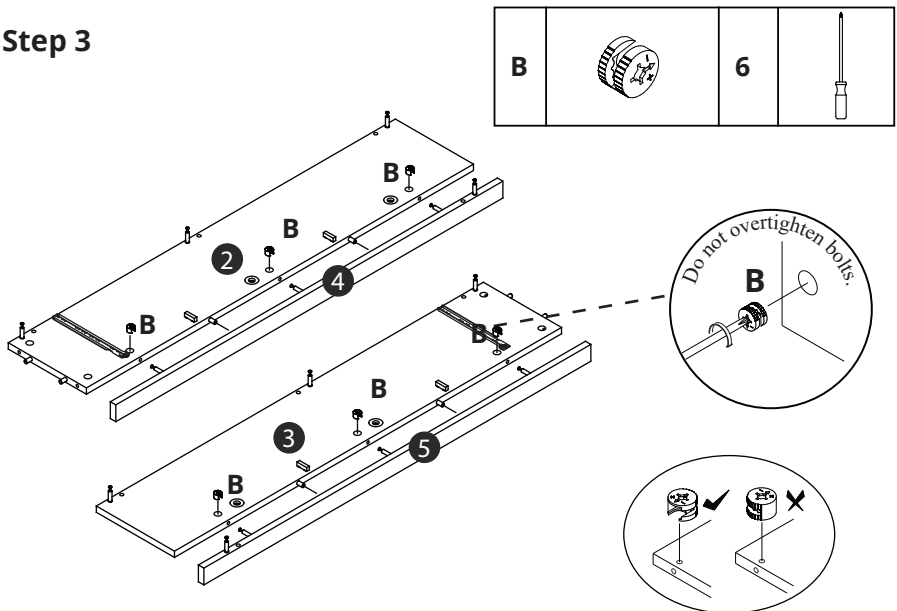


# ASSEMBLY INSTRUCTIONS

## Step 2

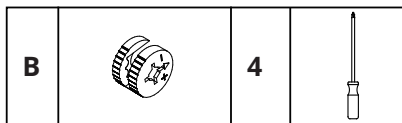
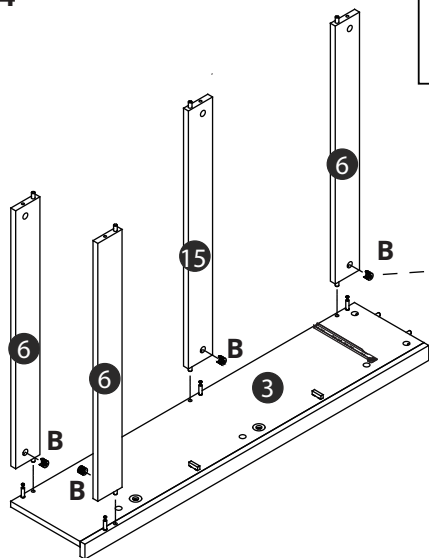


## Step 3

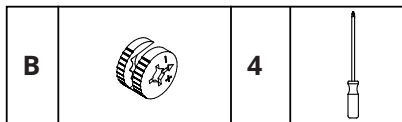
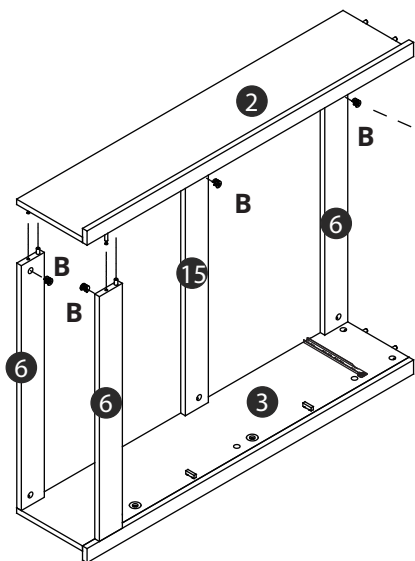


# ASSEMBLY INSTRUCTIONS

## Step 4

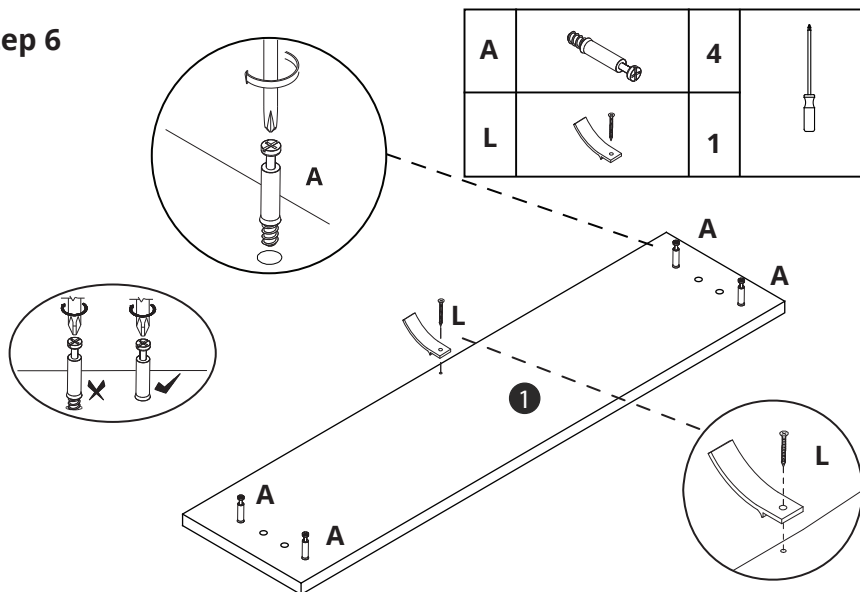


## Step 5

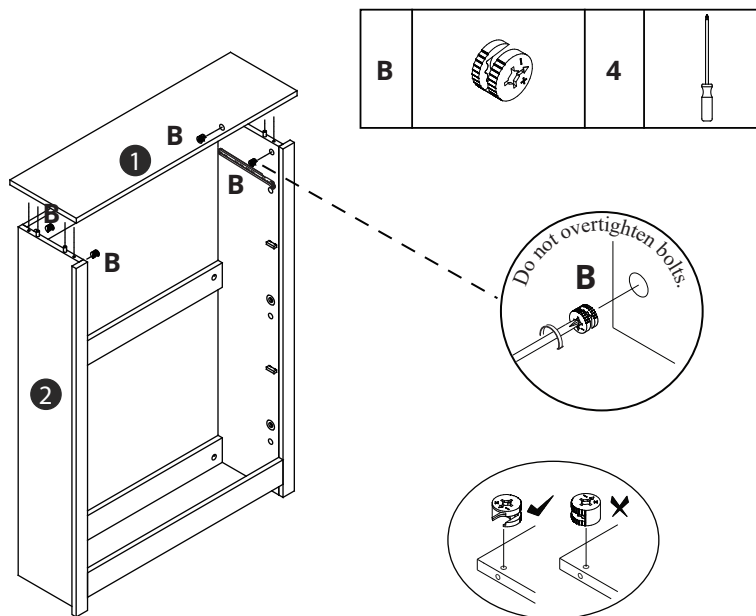


# ASSEMBLY INSTRUCTIONS

## Step 6







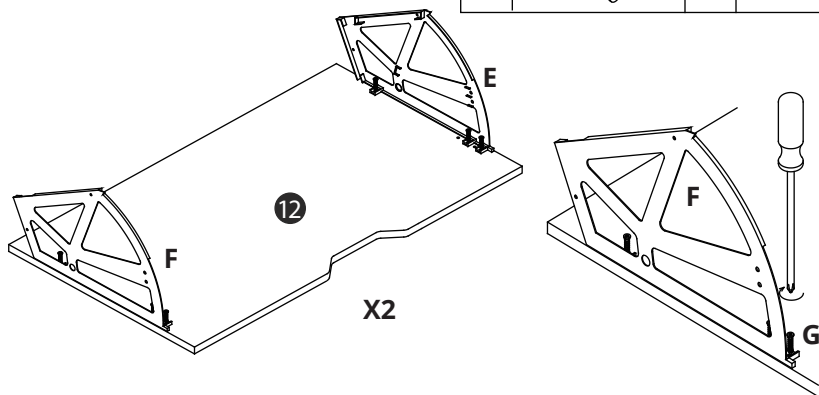
## Step 7





# ASSEMBLY INSTRUCTIONS

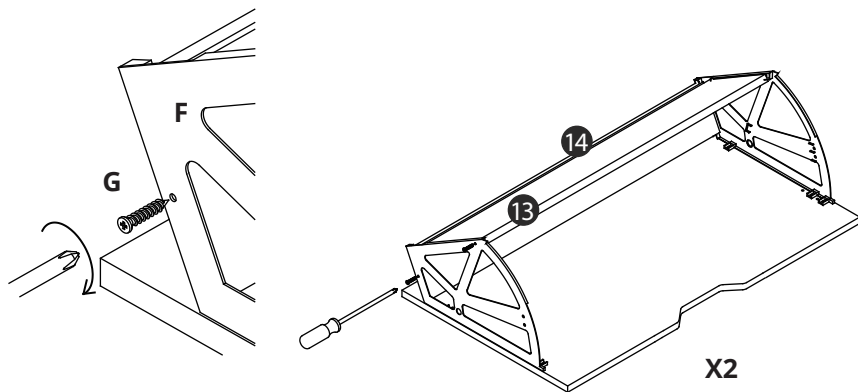
## Step 8

E		2	
F		2	
G		12	



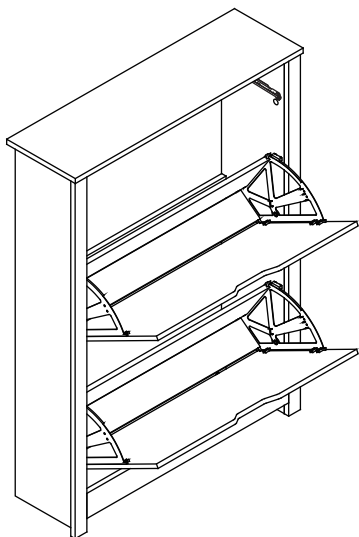
## Step 9




G		8	
---	---	---	---

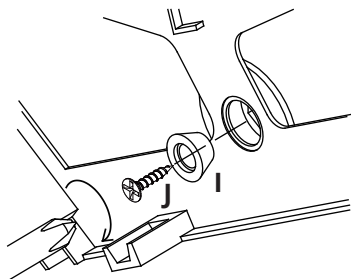


# ASSEMBLY INSTRUCTIONS

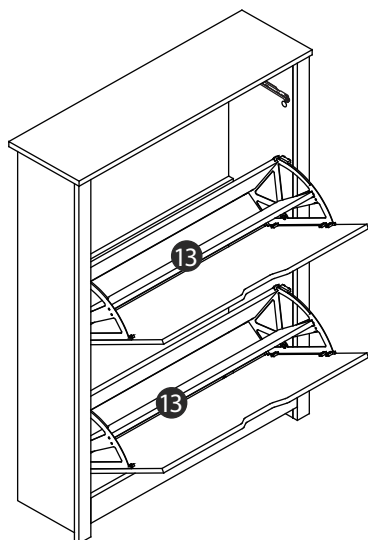
## Step 10





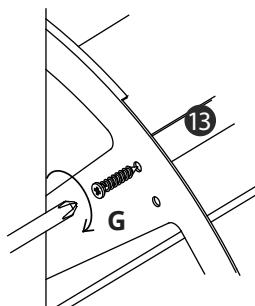
I		4	
J		4	



## Step 11



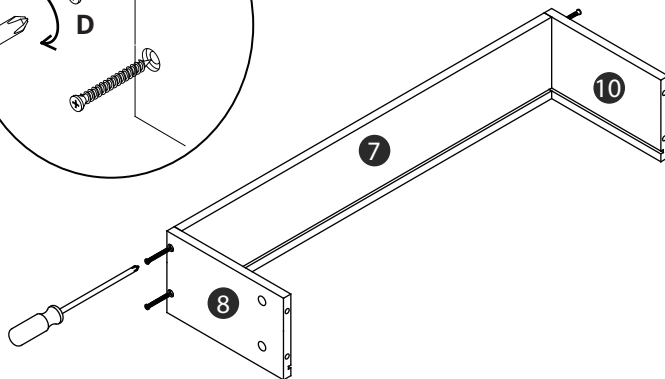
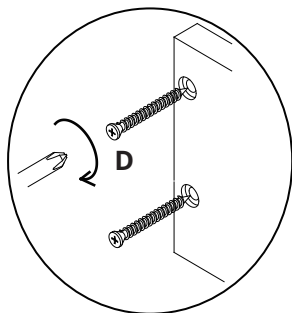
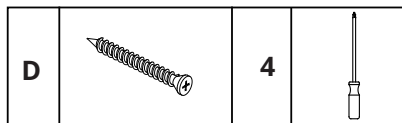
G		4	
---	---	---	---



# ASSEMBLY INSTRUCTIONS

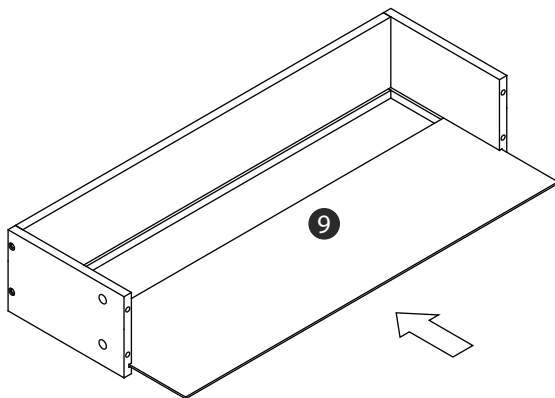
---

## Step 12



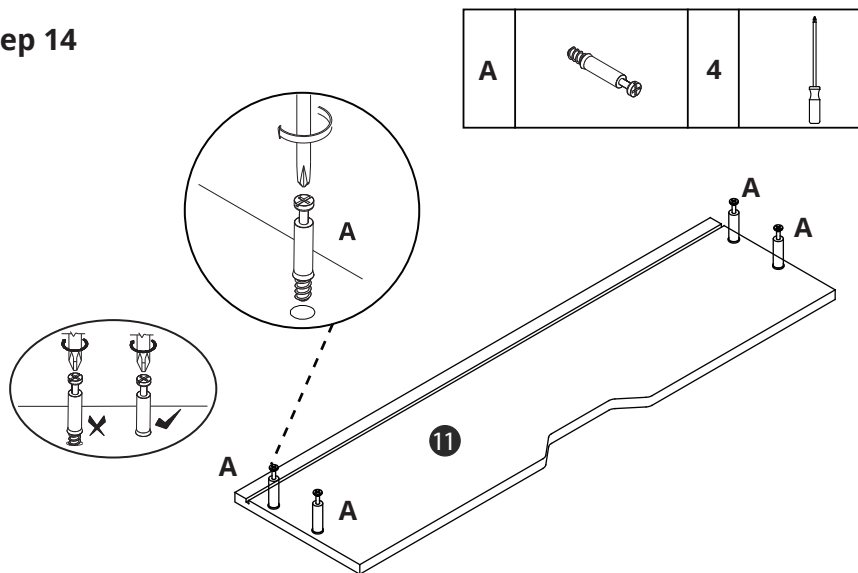
---

## Step 13

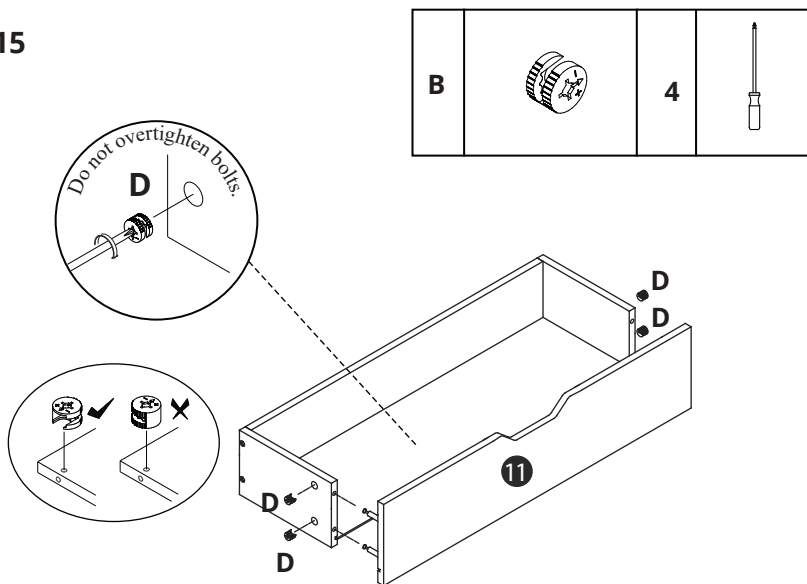


# ASSEMBLY INSTRUCTIONS

## Step 14

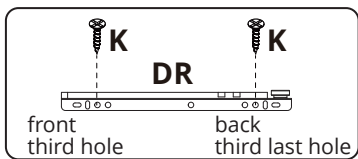


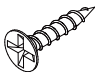

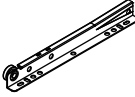
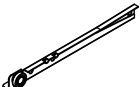
## Step 15

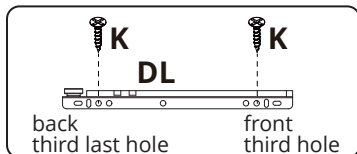
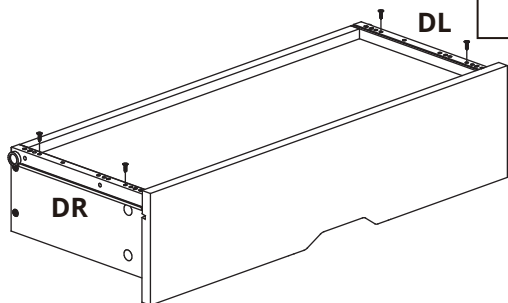


# ASSEMBLY INSTRUCTIONS

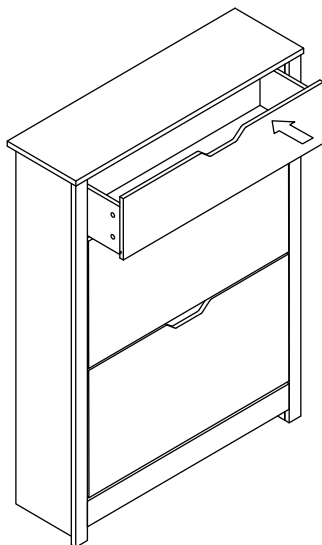
## Step 16



K		4	
DR		1	
DL		1	

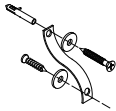



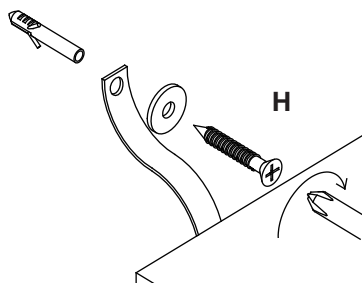
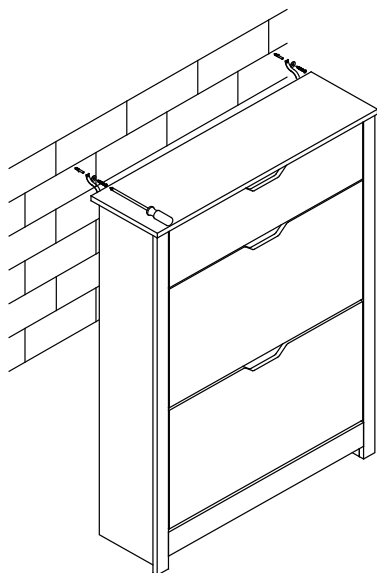
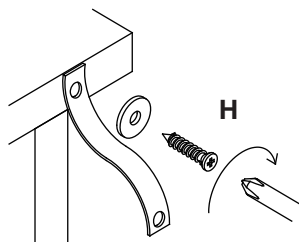
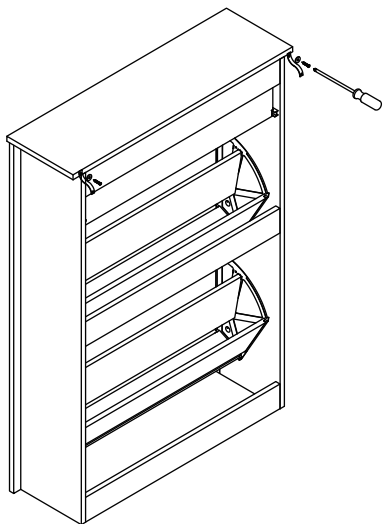
## Step 17



# ASSEMBLY INSTRUCTIONS

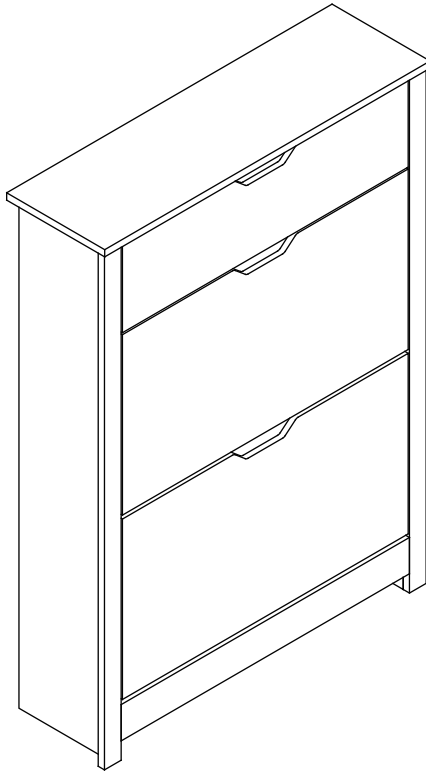
Step 18

H		2	
---	---	---	---



# ASSEMBLY INSTRUCTIONS

---



Congratulations! Now you have finished assembling the product.

## **IF YOU FIND A DEFECTIVE PART**

---

We fully stock all parts and components. Any defective part can be quickly replaced. Take note of the defective part number in manual and we will arrange a quick replacement.

## **COPYRIGHT**

---

All material in this instruction manual is copyrighted.

Any unauthorised use may violate worldwide copyright, trademark and other laws.