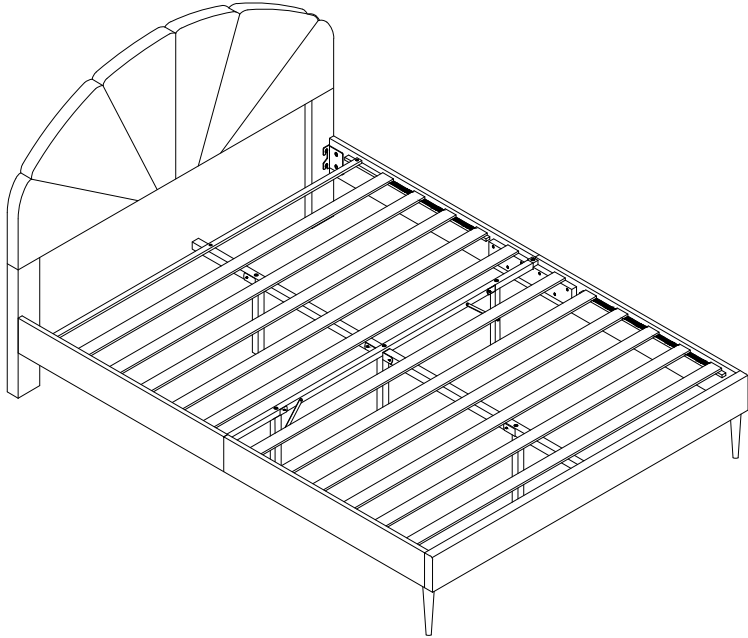


# ASSEMBLY INSTRUCTION



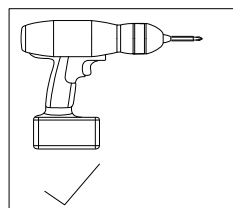
**Important:** Please unzip the zipper located behind the headboard to access all the components.



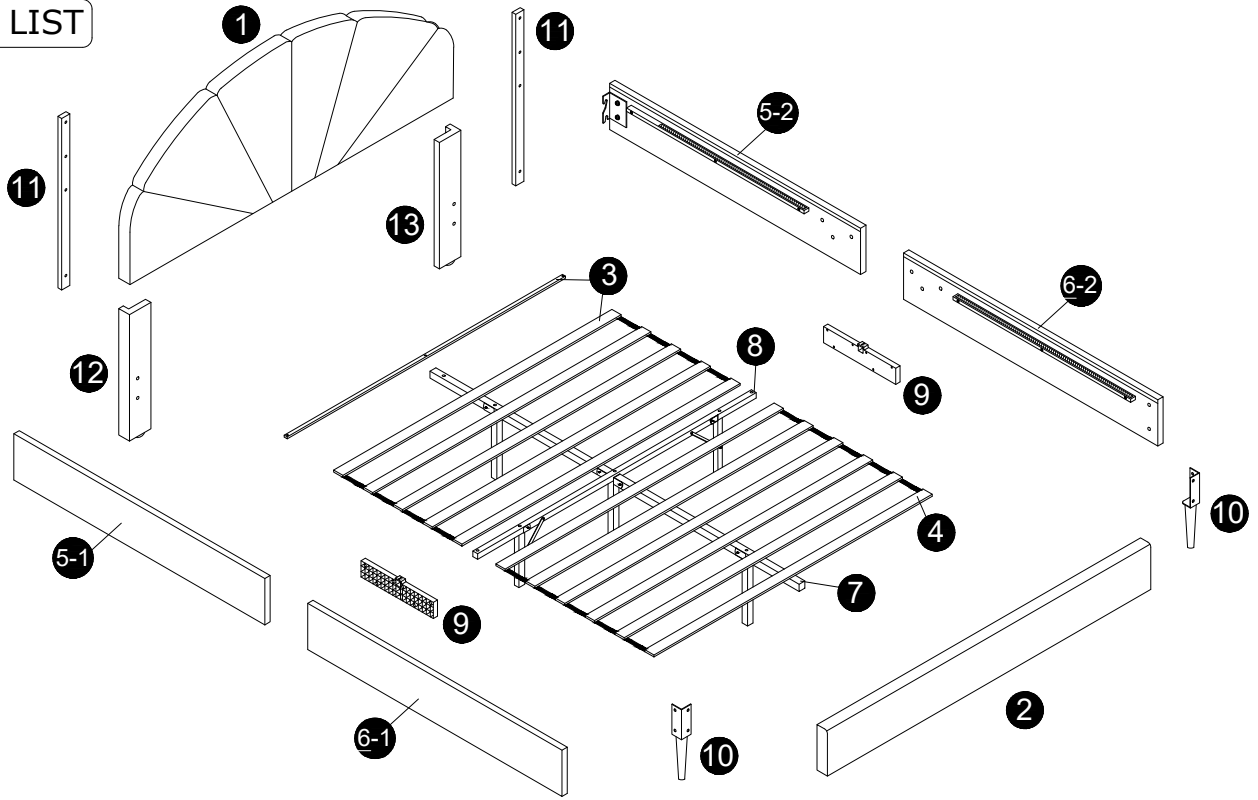
Please **TEAR OFF** this shrink film from side! **DO NOT USE CUTTER!**

## IMPORTANT NOTE

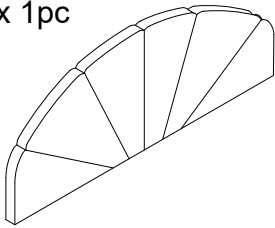
- 1. PLEASE OPEN THE ZIPPER LOCATED ON THE HEADBOARD TO ACCESS ALL THE OTHER COMPONENTS BEFORE PROCEEDING WITH THE ASSEMBLY.**
2. FOR THE PROTECTION OF YOUR FURNITURE, PLACE ALL PARTS ON A CLEAN AND SMOOTH SURFACE TO PREVENT ANY DAMAGE.
3. DO NOT DRAG OR PULL YOUR FURNITURE.
4. PLEASE PERIODICALLY CHECK ALL FITTINGS AND RE-TIGHTEN AS NECESSARY.
5. DO NOT USE THE BED UNLESS ALL BOLTS AND SCREWS ARE FIRMLY SECURED.
6. NEED PARTS OR ASSISTANCE? EMAIL US AT [support@velocavabed.com](mailto:support@velocavabed.com)
7. YOU CAN ASSEMBLE IT WITH OUR PACKAGING TOOLS OR WITH A.



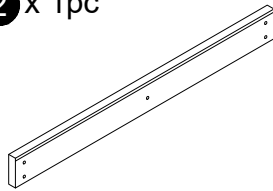
**PART LIST**



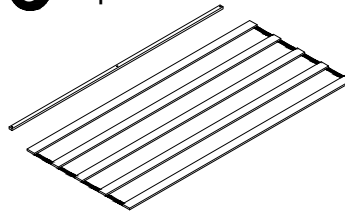
**1** x 1pc



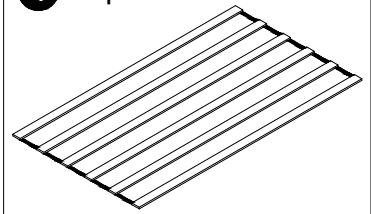
**2** x 1pc



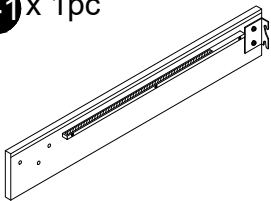
**3** x 1pc



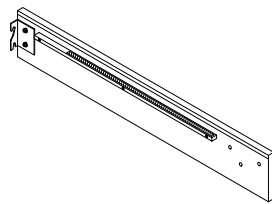
**4** x 1pc



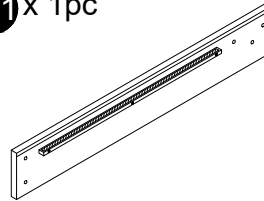
**5-1** x 1pc



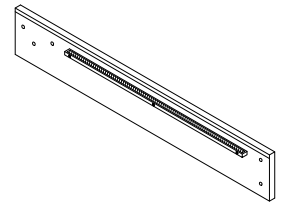
**5-2** x 1pc



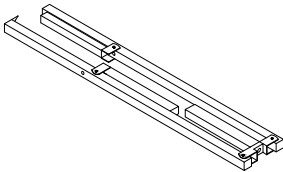
**6-1** x 1pc



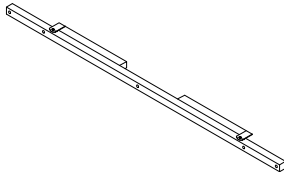
**6-2** x 1pc



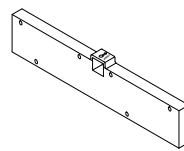
**7** x 1pc



**8** x 1pc



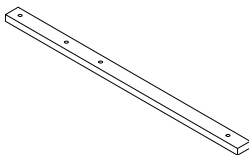
**9** x 2pcs



**10** x 2pcs



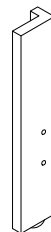
**11** x 2pcs



**12** x 1pc



**13** x 1pc



## HARDWARE LIST



H1 M5 x 1pc



H2 M8x20mm x 13pcs



H3 M8x50mm x 2pcs



H4 M8x40mm x 27pcs



H5 M8 x 31pcs



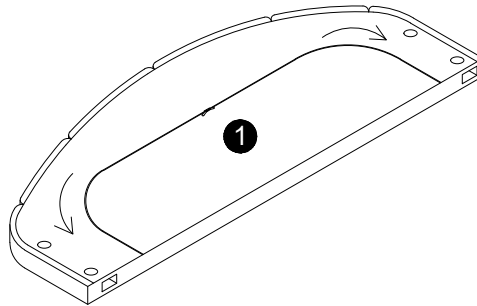
H6 M8x17mm x 43pcs



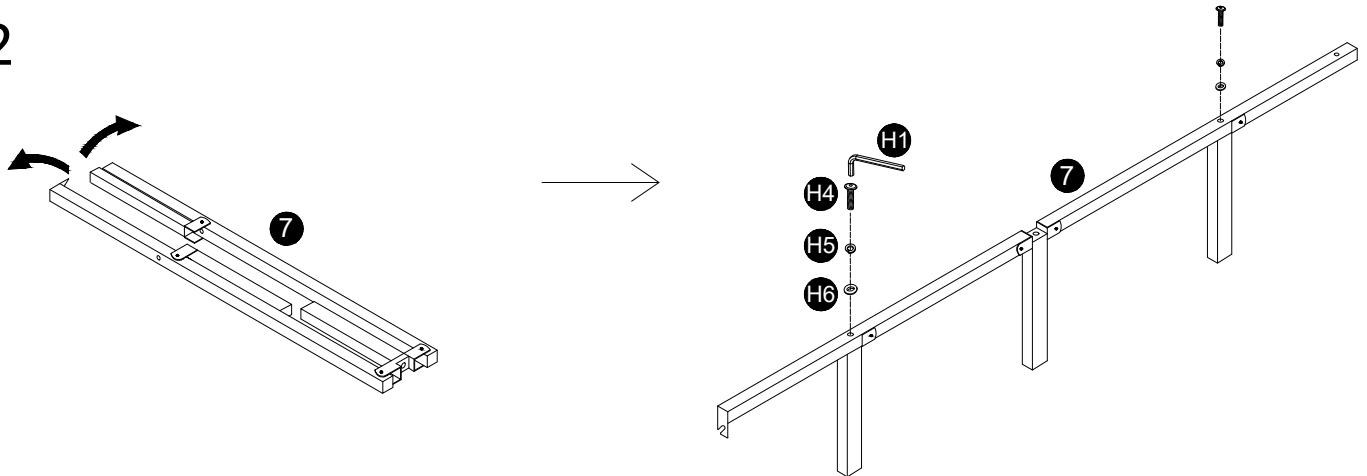
H7 M8x60mm x 1pc

**1** **NOTE:** PLEASE OPEN THE ZIPPER ON THE BACK OF **1** AND TAKE OUT THE PARTS.

Open the zipper

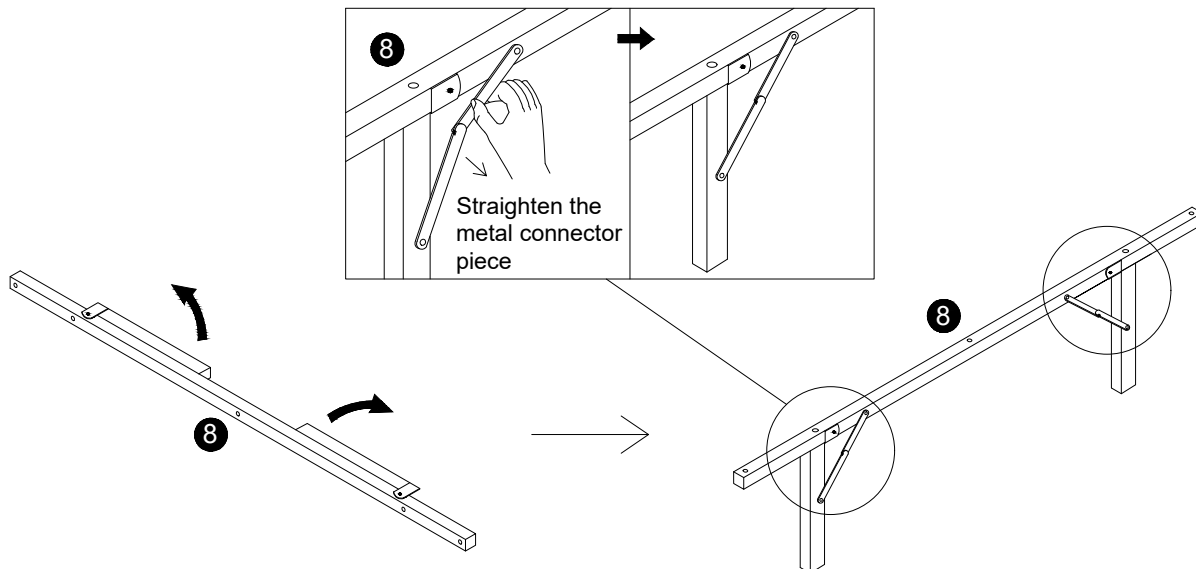


**2**

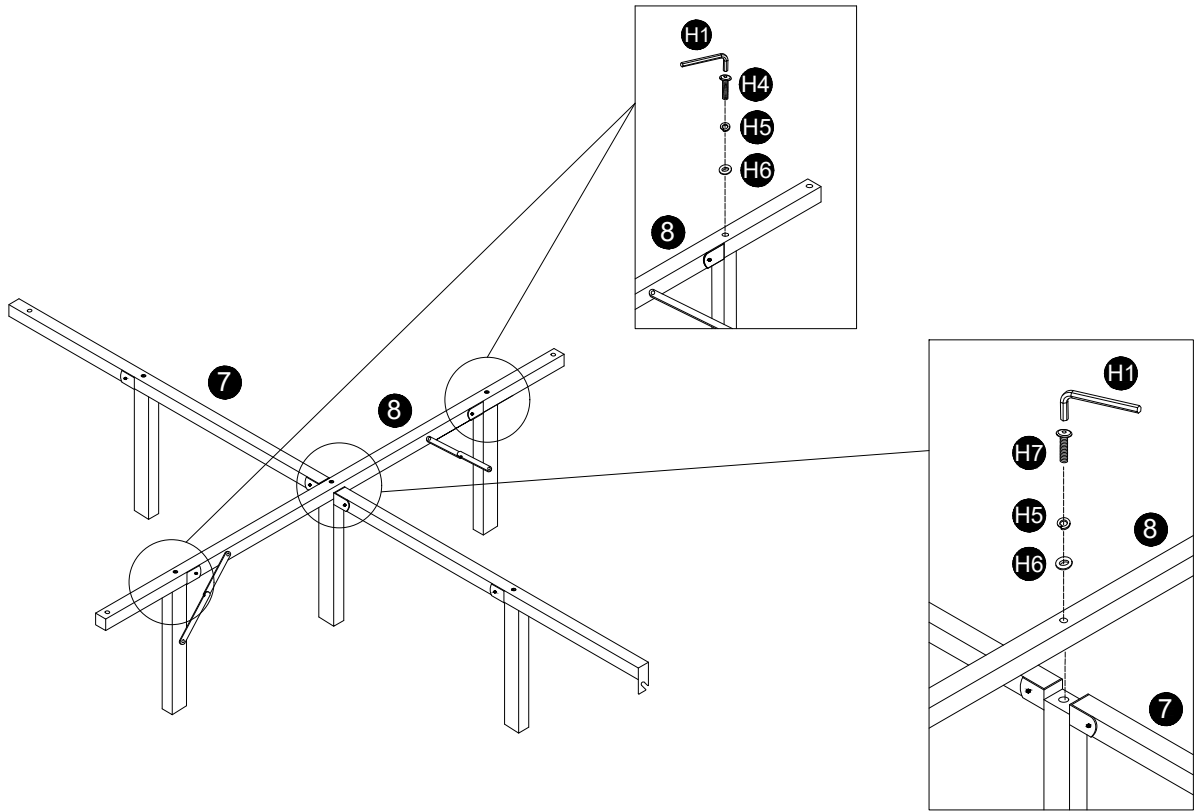


**3**

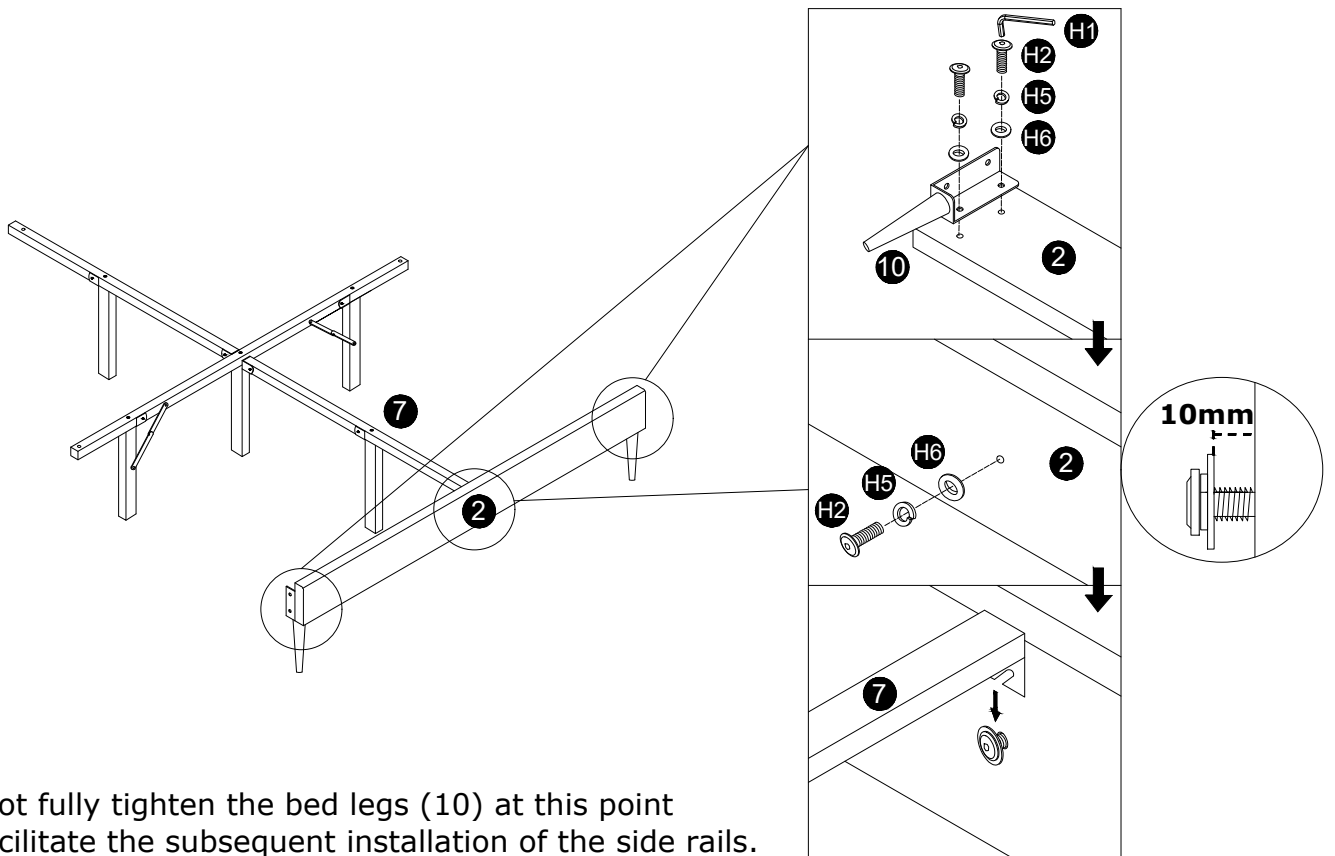
BEWARE OF CLAMP HAND



4

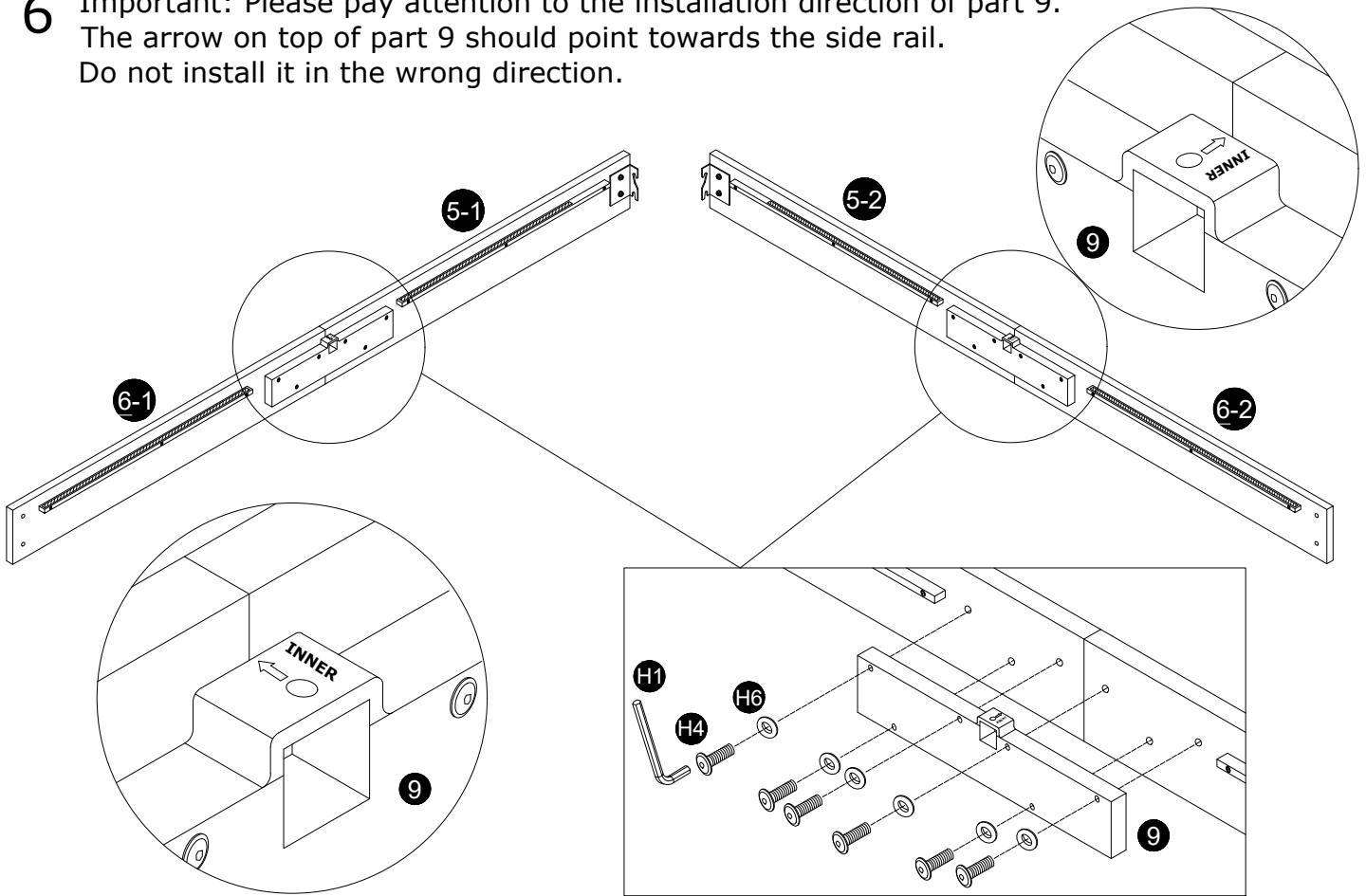


5

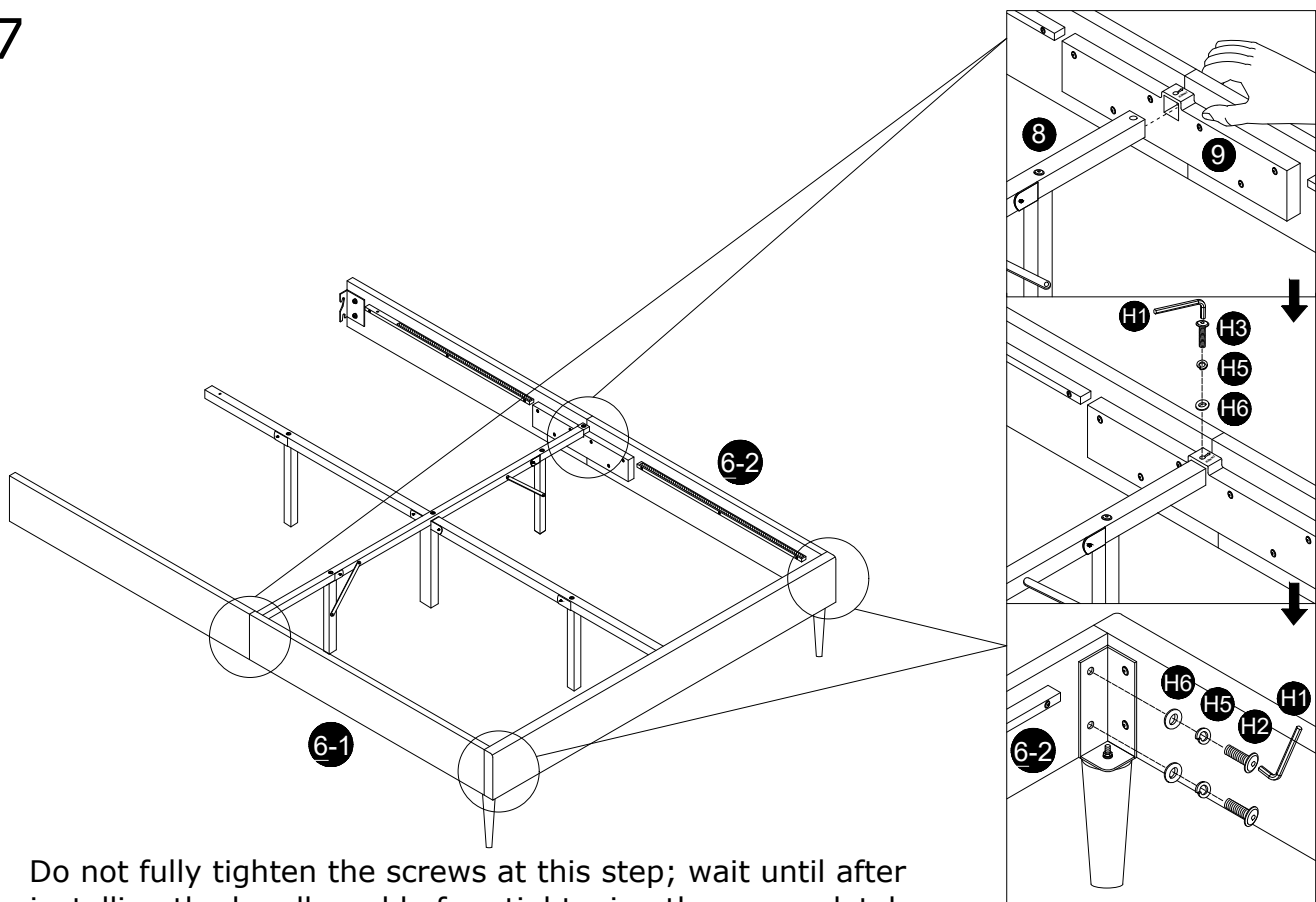


Do not fully tighten the bed legs (10) at this point to facilitate the subsequent installation of the side rails.

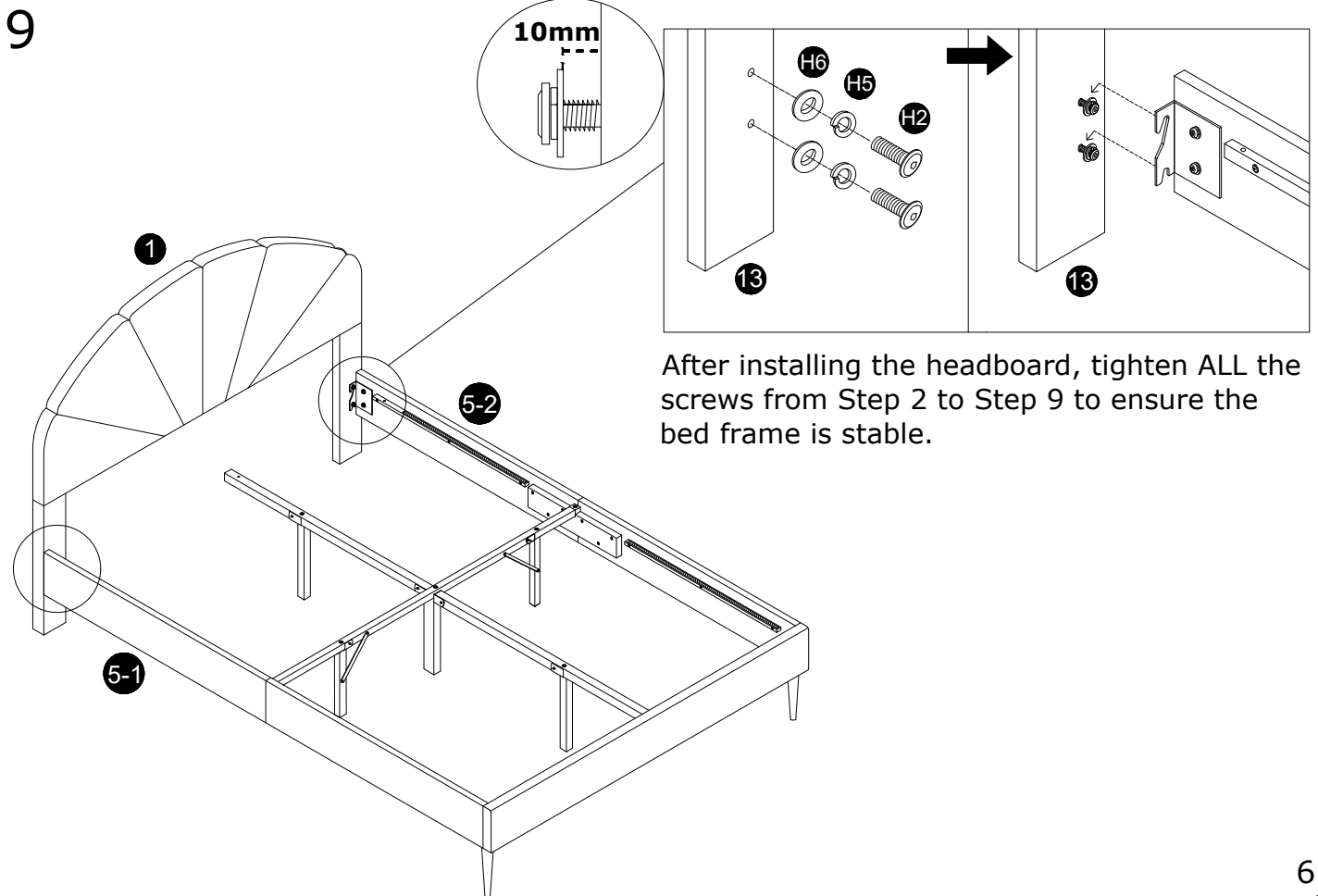
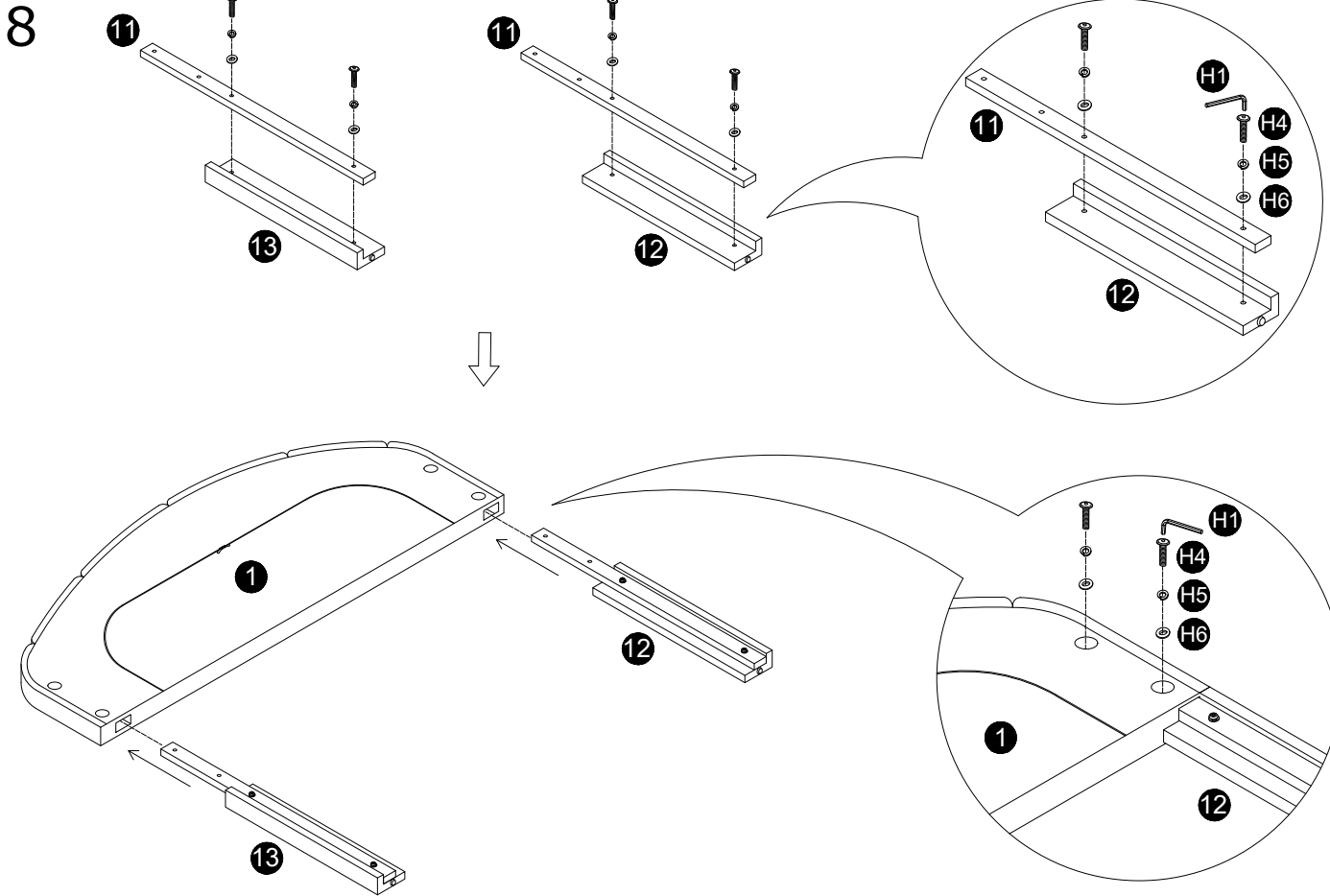
**6** Important: Please pay attention to the installation direction of part 9. The arrow on top of part 9 should point towards the side rail. Do not install it in the wrong direction.



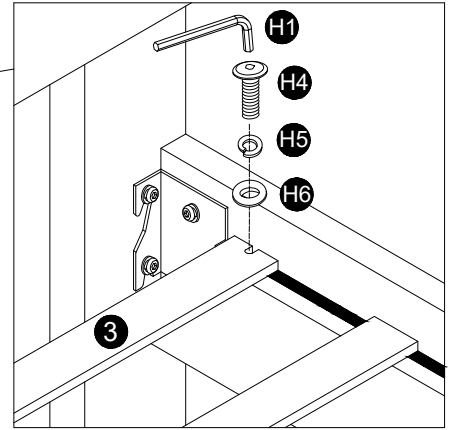
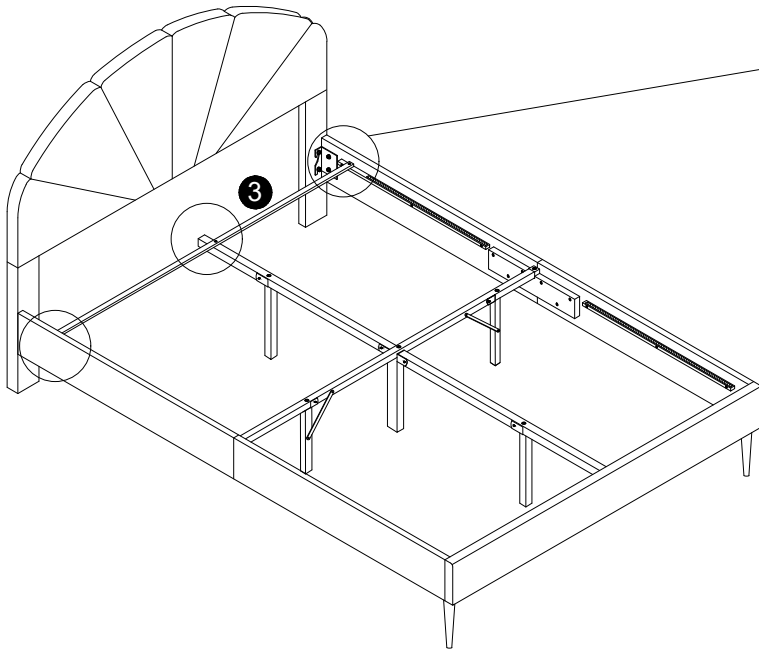
**7**



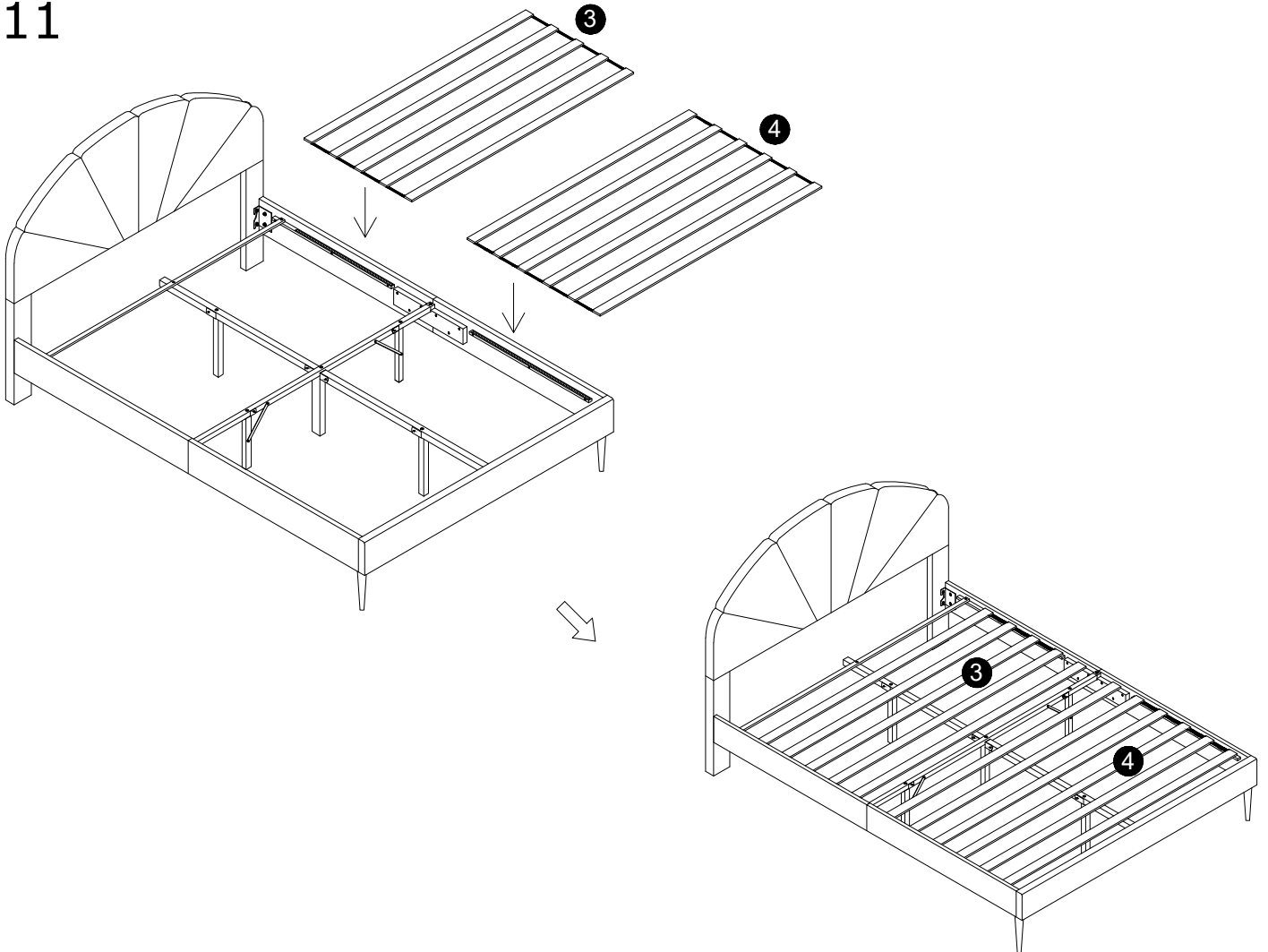
Do not fully tighten the screws at this step; wait until after installing the headboard before tightening them completely.



10



11



**Job Complete !**

*In the interest of our environment please dispose of all packaging thoughtfully.*