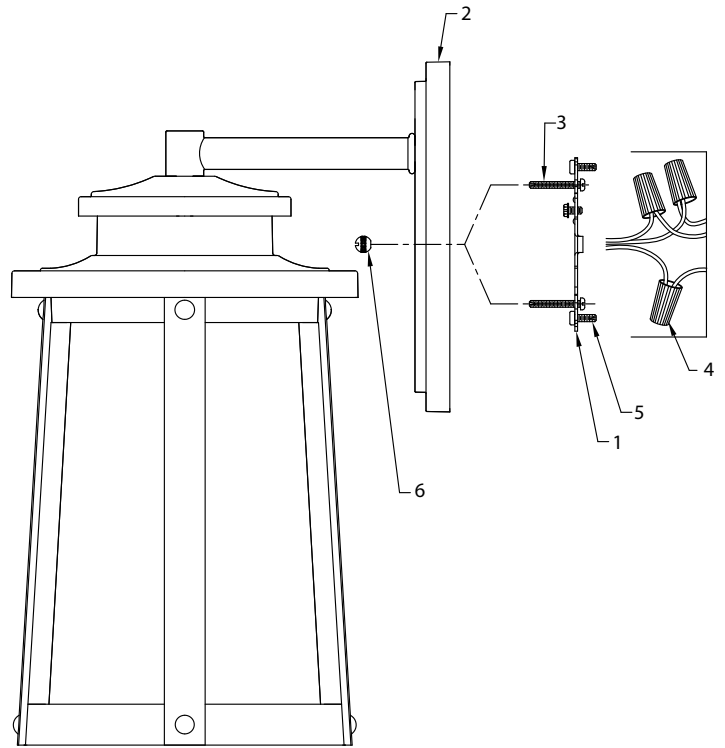
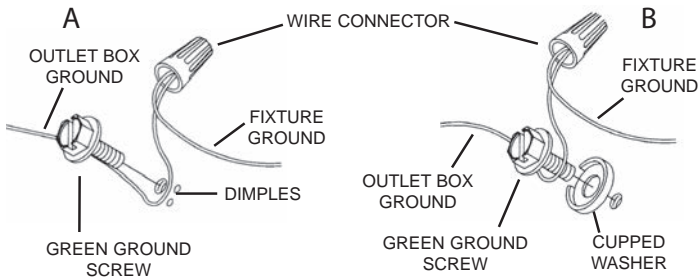


CAUTION – RISK OF SHOCK –

Disconnect Power at the main circuit breaker panel or main fusebox before starting and during the installation.

- 1) Find the appropriate threaded holes on mounting strap[1] that align with hole distance in canopy[2] Thread mounting screws[3] into threaded holes starting from outlet box[4] side.
- 2) Attach mounting strap to outlet box with strap mounting screws[5]. Mounting strap can be adjusted to suit position of fixture.
- 3) Grounding instructions: (See Illus. A or B)
 - A) On fixtures where mounting strap is provided with a hole and two raise dimples. Wrap ground wire from outlet box around green ground screw, and thread into hole.
 - B) On fixtures where a cupped washer is provided. Put ground wire from outlet box under cupped washer and green ground screw and thread screw into hole in mounting strap.

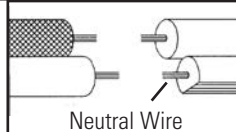
If fixture is provided with ground wire. Connect fixture ground wire to outlet box ground wire with wire connector, after following the above steps. Never connect ground wire to black or white power supply wires.



- 4) Make wire connections. Reference chart below for correct connections and wire accordingly

Connect Black or Red Supply Wire to:	Connect White Supply Wire to:
Black	White
*Parallel cord (round & smooth)	*Parallel cord (square & ridged)
Clear, Brown, Gold or Black without tracer	Clear, Brown, Gold or Black with tracer
Insulated wire (other than green) with copper conductor	Insulated wire (other than green) with silver conductor

*Note: When parallel wires (SPT I & SPT II) are used. The neutral wire is square shaped or ridged and the other wire will be round in shape or smooth (see illus.)



- 5) Push fixture to wall carefully passing mounting screws with holes in canopy. Make sure all wires are inside canopy and do not get pinched between wall and canopy of fixture.
- 6) Thread lockup knobs[6] onto mounting screws and tighten to secure fixture to wall.
- 7) Insert recommended bulb (Not supplied).

INSTRUCTIONS FOR MOUNTING FIXTURE OUTDOORS AND/OR IN WET LOCATIONS.

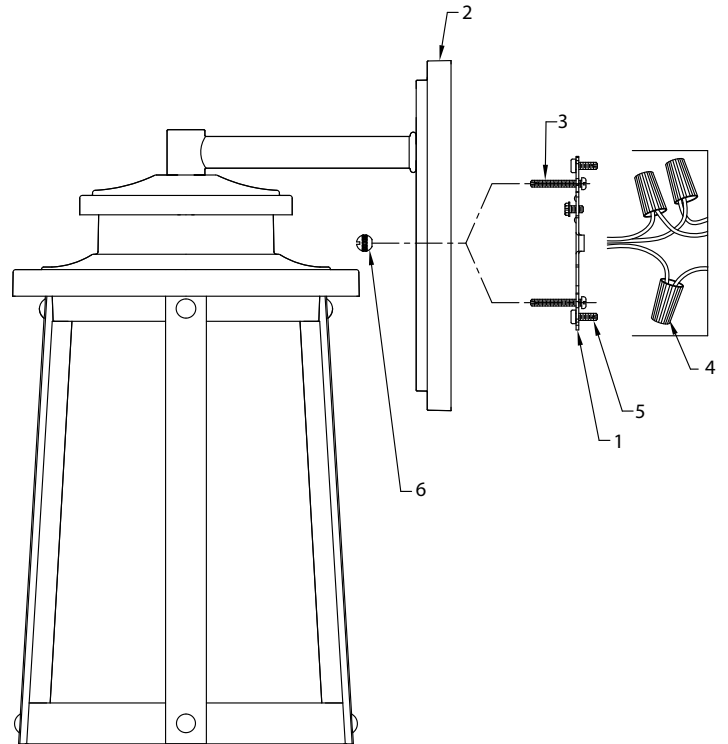
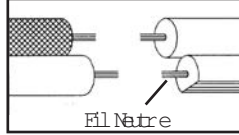
- 8) Mounting surface should be clean, dry, flat and 1/4" larger than the canopy on all sides. Any gaps between the mounting surface and canopy exceeding 3/16" should be corrected as required.
- 9) With silicone caulking compound, caulk completely around where back of canopy meets the wall surface to prevent water from seeping into outlet box.

**ATTENTION – RISQUE DE DÉCHARGES ÉLECTRIQUES -
Couper le courant au niveau du panneau du disjoncteur du
circuit principal ou de la boîte à fusibles principale avant de
procéder à l'installation.**

- 1) Find the appropriate threaded holes on mounting strap[1] that align with hole distance in canopy[2] Thread mounting screws[3] into threaded holes starting from outlet box[4] side.
- 2) Attach mounting strap to outlet box with strap mounting screws[5]. Mounting strap can be adjusted to suit position of fixture.
- 3) Connecter les Is. Se porter au tableau ci-dessous pour faire les connexions.

Connecter le fil noir ou rouge de la boîte	Connecter le fil blanc de la boîte
A Noir	A Blanc
*Au cor don parallèle (ron et lisse)	*Au cor don parallèle (à angles de còts et strié)
Au transparent, doré, mar ion, ou noir sans fil distinctif	Au transparent, doré, mar ion, ou noir avec un til distinctif
Fil isolé (sauf fil vert) avec conducteur en cuivre	Fil isolé (sauf fil vert) avec conducteur en argent

*Remarque: Avec emploi d'un fil parallèle (SPT I et SPT II). Le fil neutre est à angles de còts et strié et l'autre fil doit être ron ou lisse (Voir le schéma).



- 4) Push fixture to wall carefully passing mounting screws with holes in canopy. Make sure all wires are inside canopy and do not get pinched between wall and canopy of fixture.
- 5) Thread lockup knobs[6] onto mounting screws and tighten to secure fixture to wall.
- 6) Insert recommended bulb (Not supplied).

**INSTRUCTIONS DE MONTAGE DE LUMINAIRE À L'EXTÉRIEUR
ET/OU DANS DES LIEUX HUMIDES.**

- 7) La surface de montage doit être propre, sèche, plate et de 0,6 cm plus épaisse que le cache sur tous les côtés. Tout écart entre la surface de montage et le cache dépassant de 0,5 cm doit être rectifié selon les besoins.
- 8) À l'aide de matériaux d'étanchéité à la silicone, calfeutrer bien autour où l'arrière du cache entre en contact avec le mur pour empêcher l'eau de passer dans la boîte de raccordement.