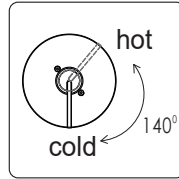


BEFORE INSTALLATION

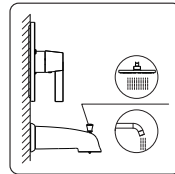
- To insure proper installation, please read the following instructions carefully.
- Please make sure that the water supply has been shut off at the stop valve.
- NEWATER reserves the right to update product without notice.

Application Instruction

1. Rotate the handle in anti-clockwise way to open status.

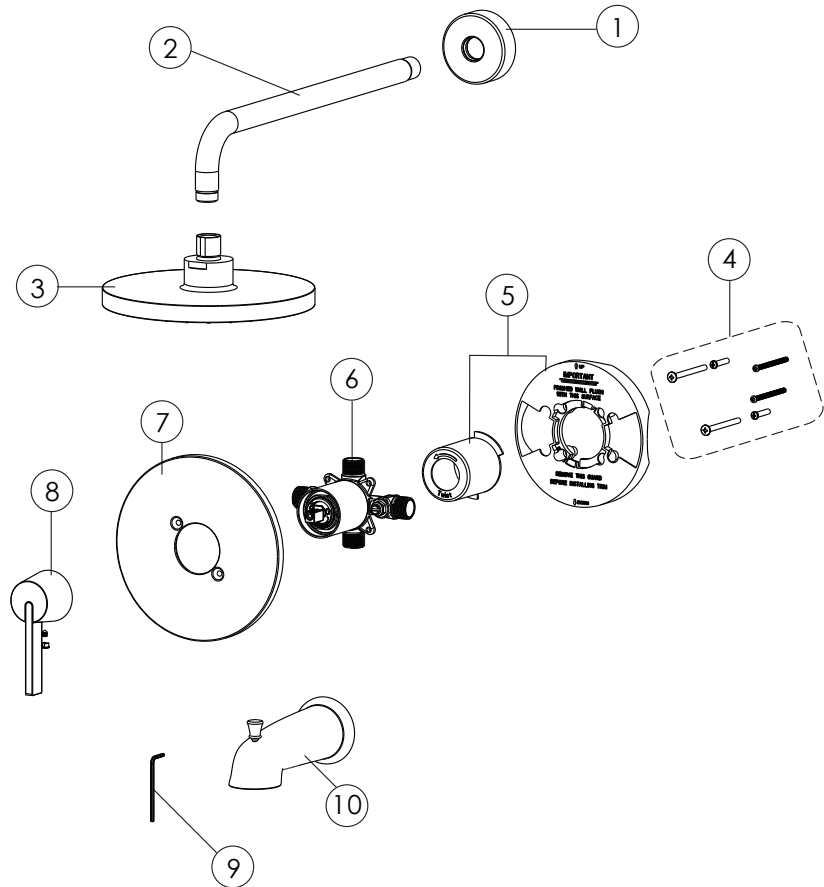


2. Start from cold water, mixed water, hot water, temperature getting higher in anti-clockwise way, the flow rate will be max while handle in the middle position between cold and hot mark.

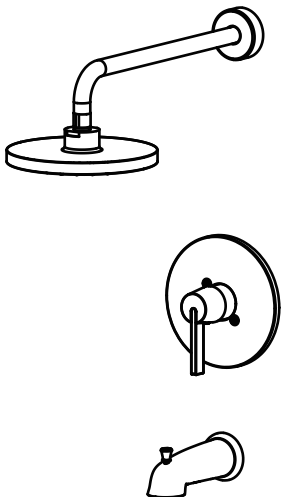


3. Pull up the knob on the bath spout switching to head shower water, every open it will stay in bath spout water.

Standard Part List



Wall-mounted shower/bath mixer Installation Instruction



NO.	Part Name	Quantity	NO.	Part Name	Quantity
1	Rosette	1	6	Body	1
2	Tube	1	7	Plate	1
3	Shower	1	8	Handle Assy	1
4	Fixing Set	1	9	Tool	1
5	Protective Cover	1	10	Spout	1

Models:

· 1001011

Finish:

· Matte Black

BEFORE INSTALLATION

- To insure proper installation, please read the following instructions carefully.
- Please make sure that the water supply has been shut off at the stop valve.
- NEWATER reserves the right to update product without notice.

Installation Steps

<p>1</p>	<p>40-50mm</p> <p>Decorative Wall</p> <p>150mm</p>	<p>3</p>	<p>4</p>
<p>1.Refer to the size for the mixer, then chamfer the position for the body part and for the hot and cold water tube into the wall.</p>			
<p>2</p>	<p>Cement Wall</p> <p>40-50mm</p> <p>Decorative Wall</p>		
<p>2.Tight the⑥Wall-mounted Base on the wall with 2 screws, then connect to the hot & cold tube. Turn on water supply to check if there is leakage for every components. Cover and lay the decorative wall.</p>		<p>3.Remove the protective cover and short screws, adjust to the right position and cover the plate with long screws, then lock the handle with screws.</p>	<p>4.Connect the①②③head shower and⑩spout.</p>

If you have any question or need help, please contact: xxxxxxxxxx

· Every once in a while, please rinse the faucet with lukewarm soapwater , and wipe it clean with a soft duster cloth. Please avoid any abrasive cleaners, steel wools, or corrosive chemicals.