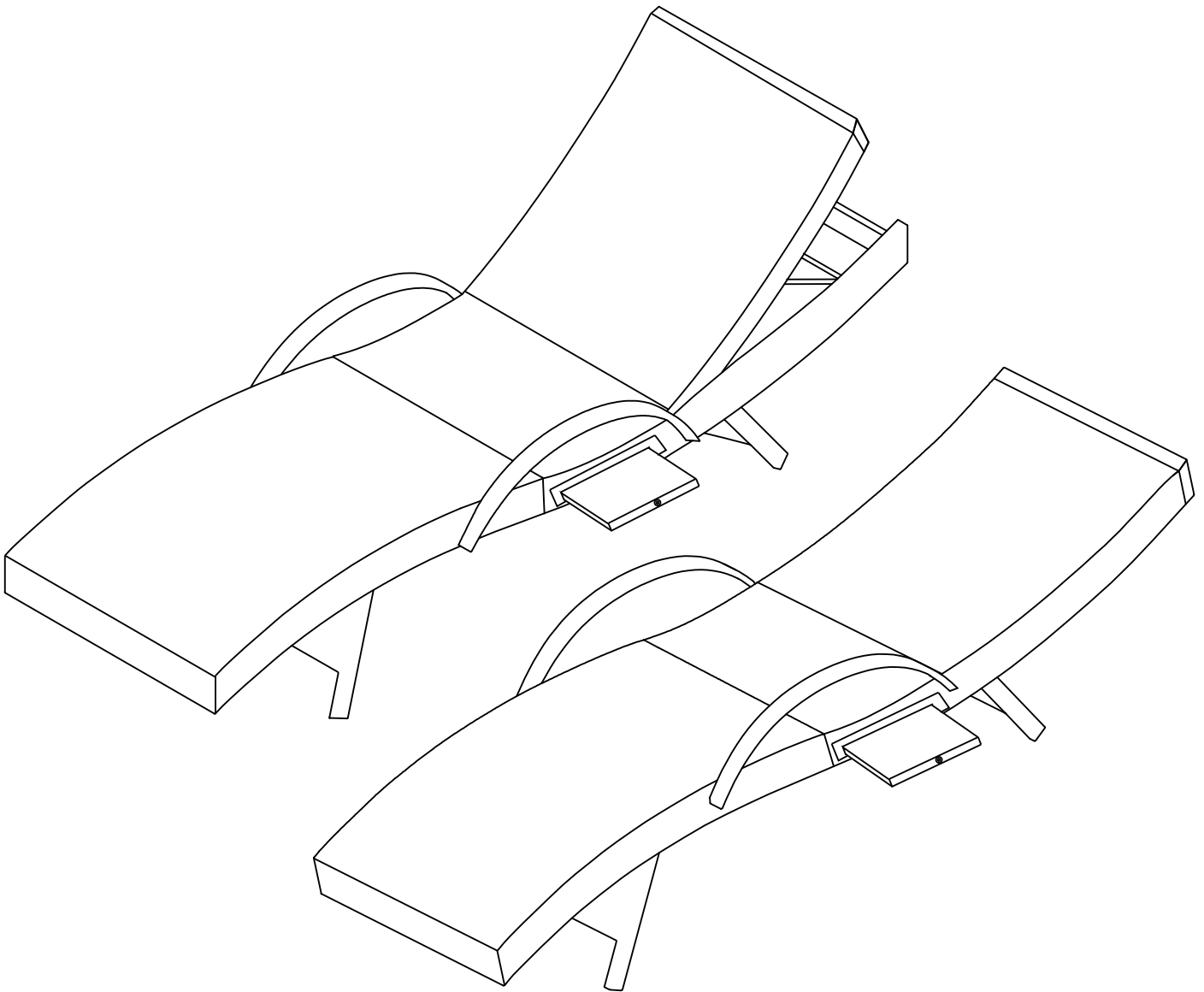
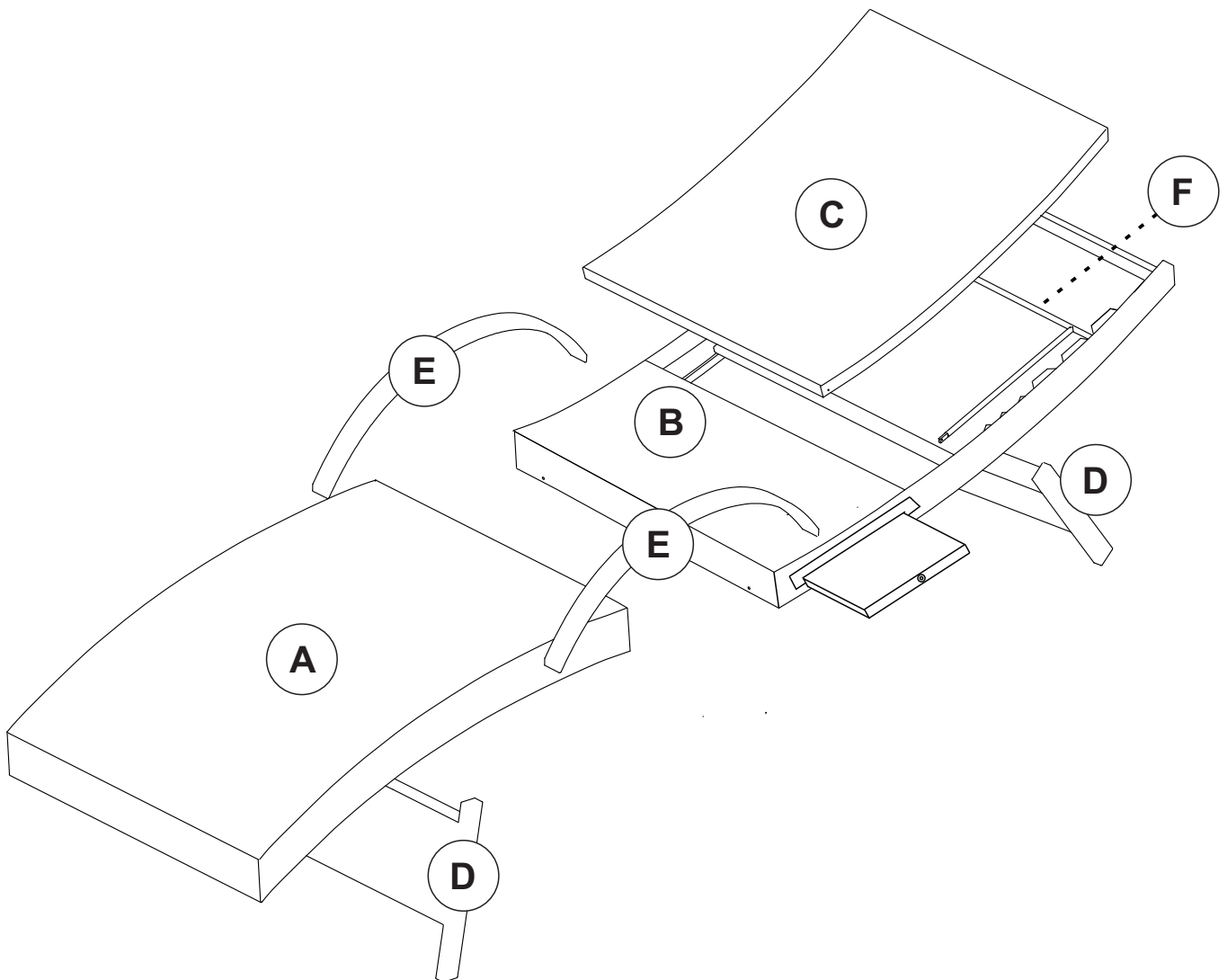


ASSEMBLY INSTRUCTION

PATIO CHAISE LOUNGE



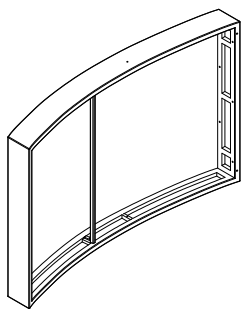
x2



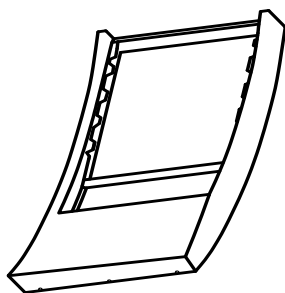
Note:

1. 50% Tighten before fixing all screws, Allen wrench is recommended instead of an electric drill.
2. Place the item on a flat ground to adjust and make sure it remains stable.
3. Tighten up all screw with tools gradually.
4. If screw are not aligned with holes during assembly, please loosen all the other screws to 50% and continue the assembly process.
5. If the item is not stable, please loosen all screws, adjust it on a flat ground and tighten up all screws again.
6. Note: If one or some screws are fully tighten during assembly, chances are the others will not be aligned with holes. In addition, all the holes are designed to be relativey larger to provide more space for the adjustment of the screws.

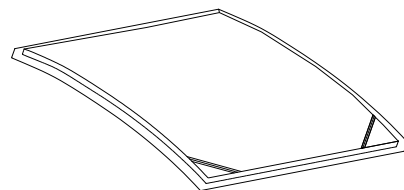
CARTON CONTENT:



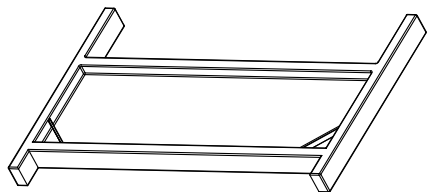
A x2



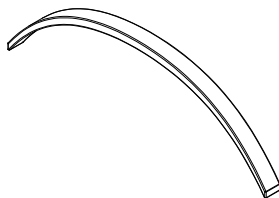
B x2



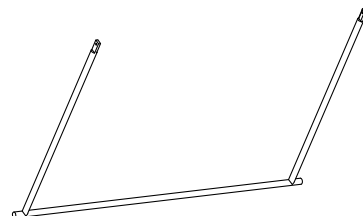
C x2



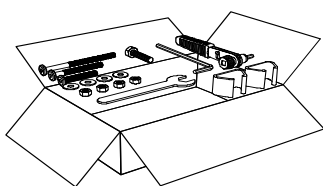
D x4



E x4









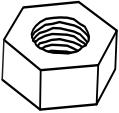
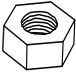
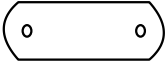





F x2



Hardware

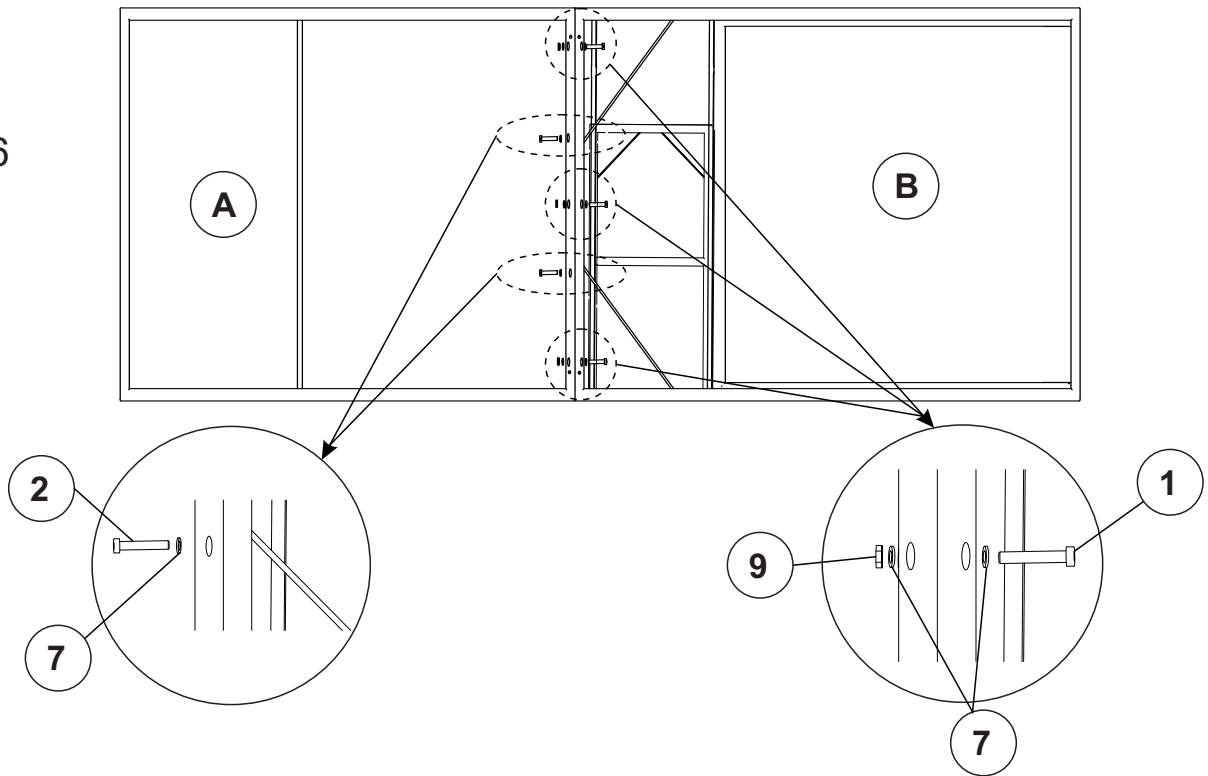
Hardware List:

<p>1 x6</p>  <p>BOLT M8 x 65MM</p>	<p>2 x4</p>  <p>BOLT M8 x 45MM</p>	<p>3 x12</p>  <p>BOLT M8 x 40MM</p>
<p>4 x8</p>  <p>BOLT M6 x 60MM</p>	<p>5 x20</p>  <p>BOLT M6 x 20MM</p>	<p>6 x4</p>  <p>PLASTIC WASHER 5MM</p>
<p>7 x28</p>  <p>WASHER M8</p>	<p>8 x32</p>  <p>WASHER M6</p>	<p>9 x6</p>  <p>NUTS M8</p>
<p>10 x4</p>  <p>NUTS M6</p>	<p>11 x4</p>  <p>PART I SHORT</p>	<p>12 x2</p>  <p>ALLENKEY</p>
<p>13 x1</p>  <p>WRENCH M8</p>	<p>14 x1</p>  <p>WRENCH M6</p>	

STEP 1

x2

- ① x6
- ② x4
- ⑦ x16
- ⑨ x6

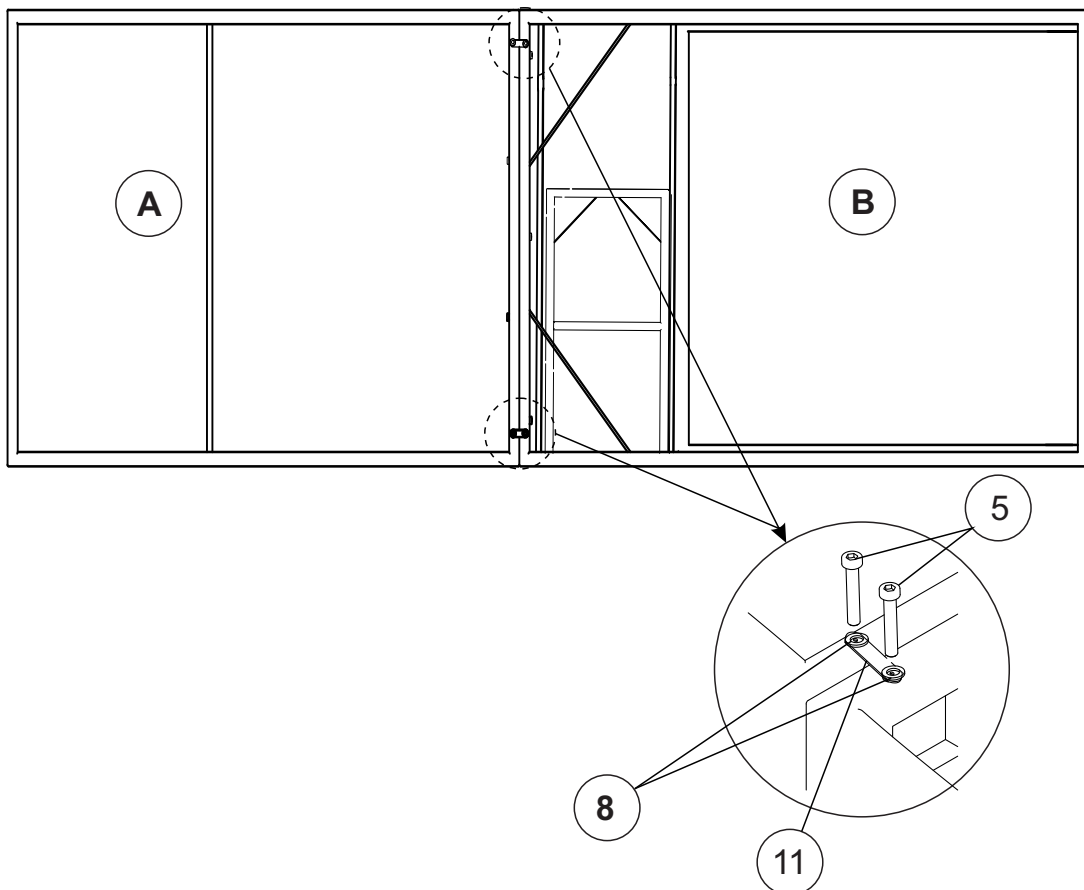


Connect The Rear Seat Body (A) & Front Seat Body (B) With AllenKey (12), Wrench (13)

STEP 2

x2

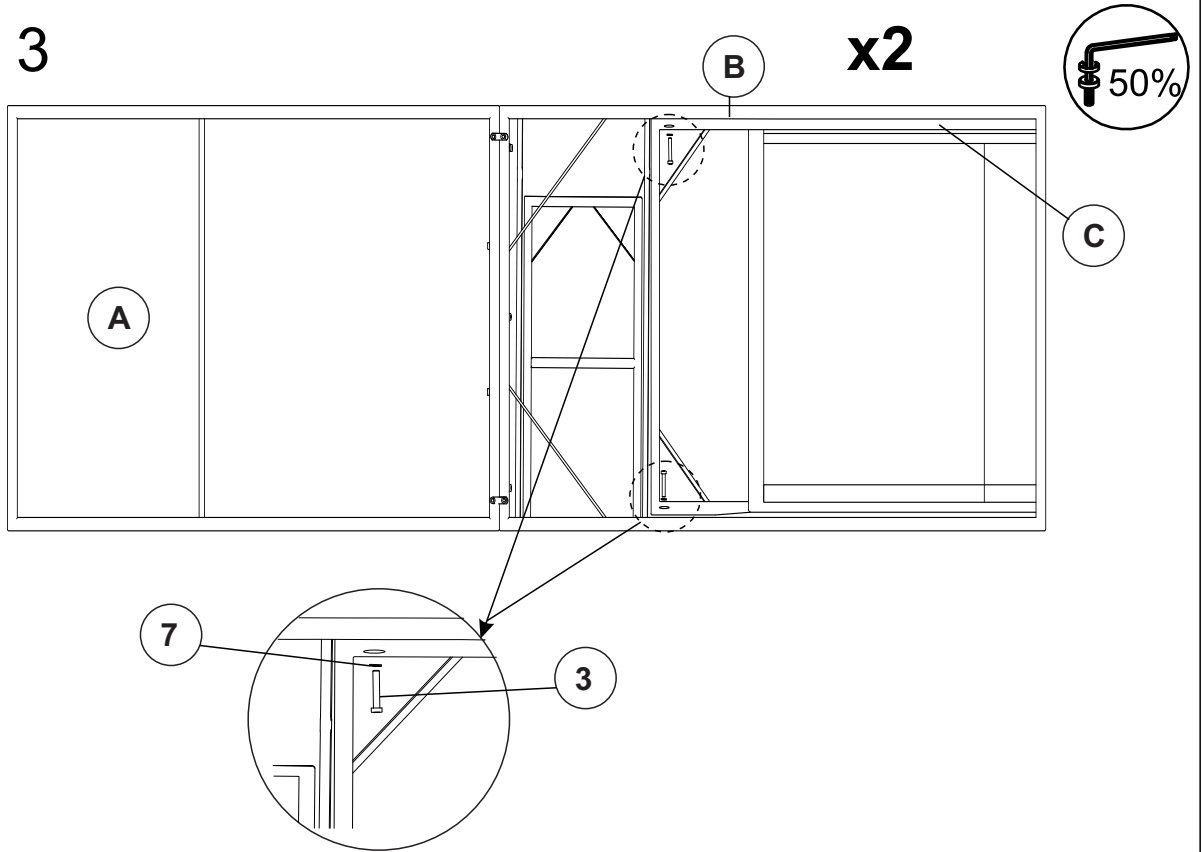
- ⑤ x8
- ⑧ x8
- ⑪ x4



Connect The Part From Step 1 & Part I Short (12) With AllenKey (12)

STEP 3

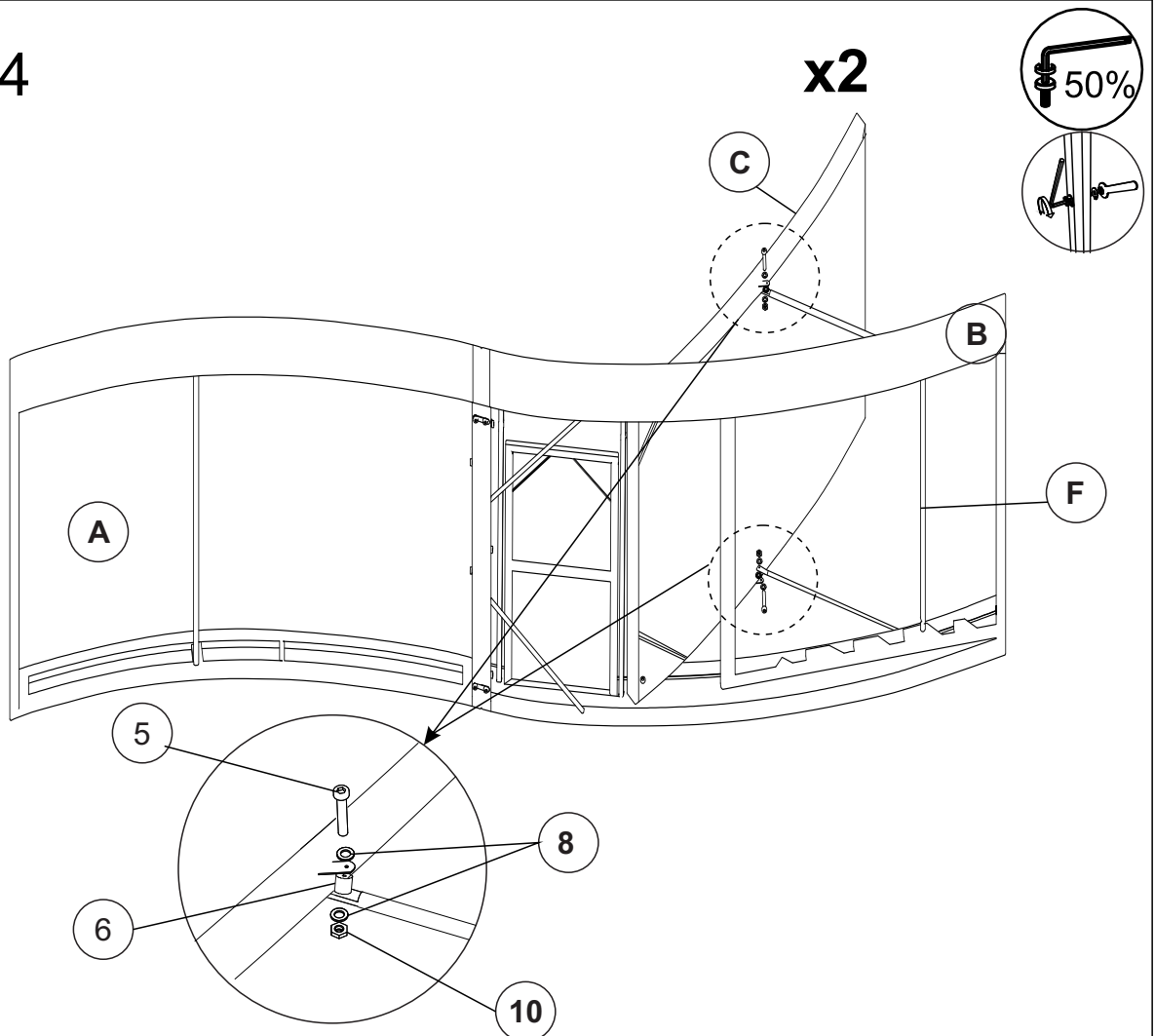
- ③ x4
- ⑦ x4



Connect The Front Seat Body (B) & Front Seat Frame (C) With AllenKey (12)

STEP 4

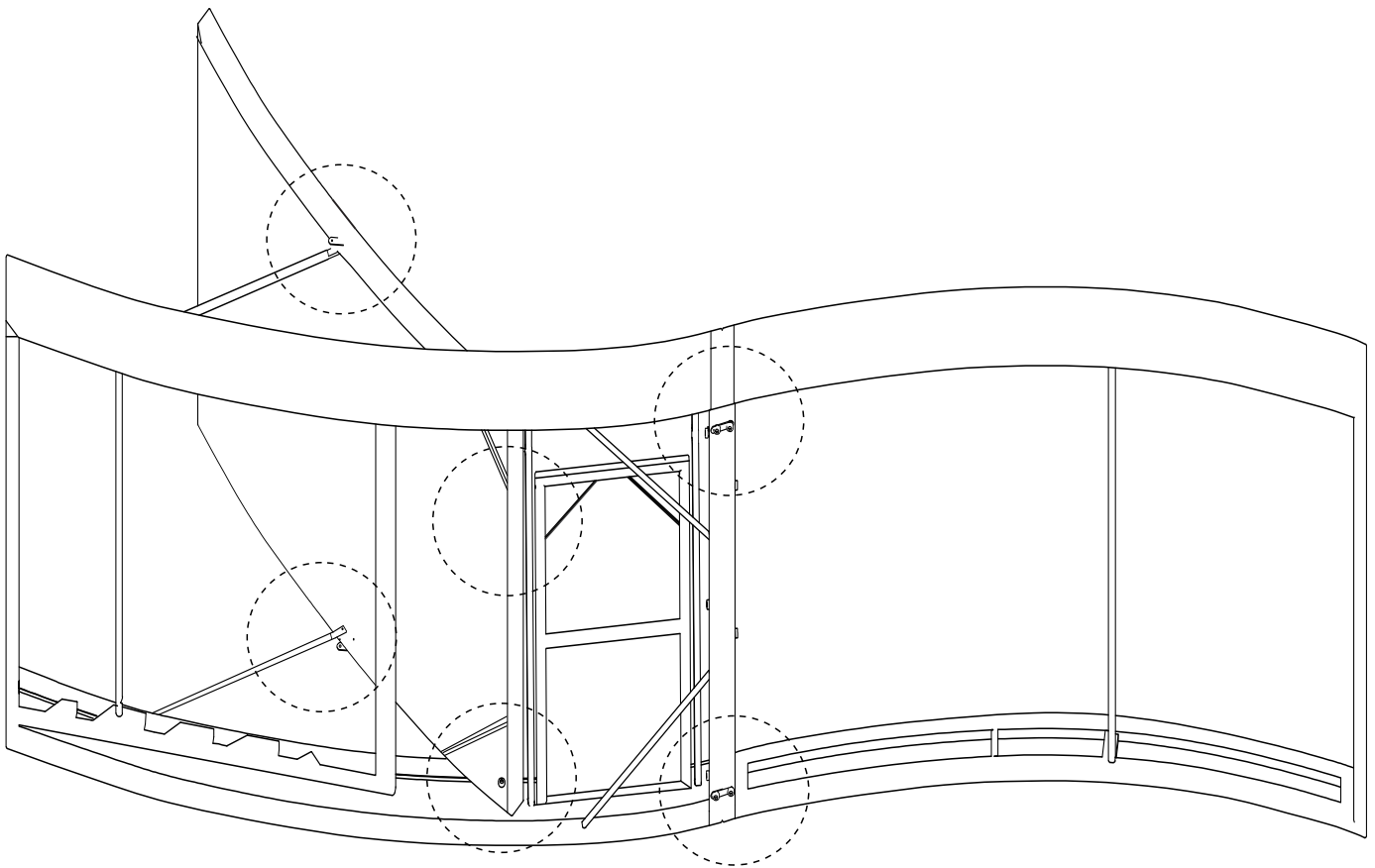
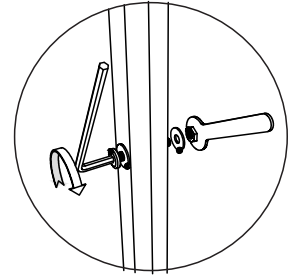
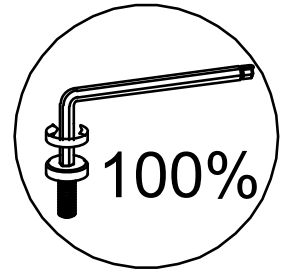
- ⑤ x4
- ⑧ x8
- ⑥ x4
- ⑩ x4



Connect The Front Seat Frame (C) & Shape-u Frame (F) With Allenkey (12), Wrench (14)

STEP 5

x2



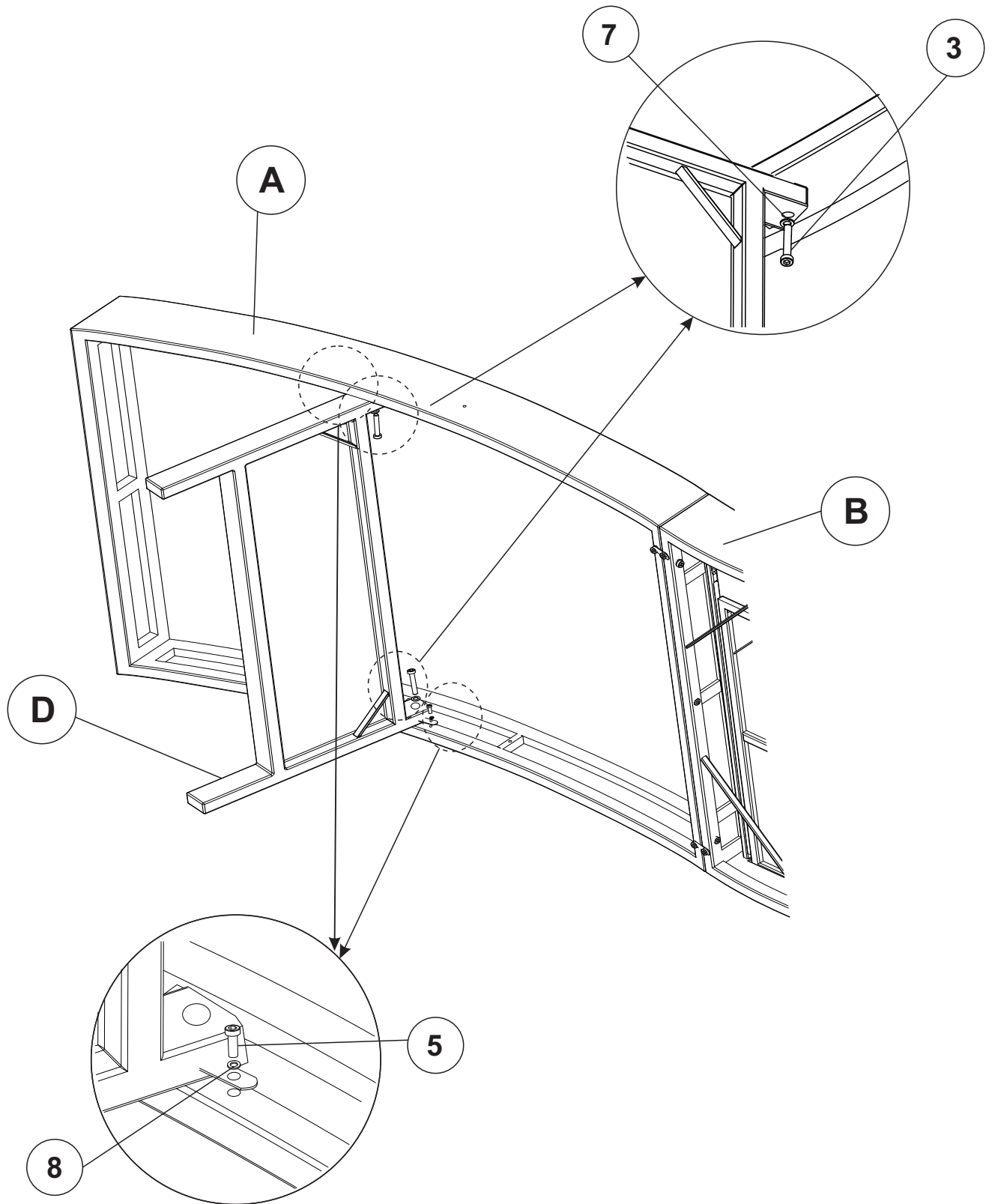
TIGHTEN ALL BOLTS AND NUTS 100%

STEP 6

x2



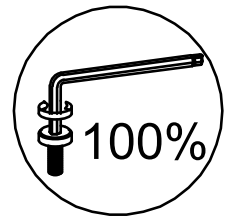
- ③ x4
- ⑤ x4
- ⑦ x4
- ⑧ x4



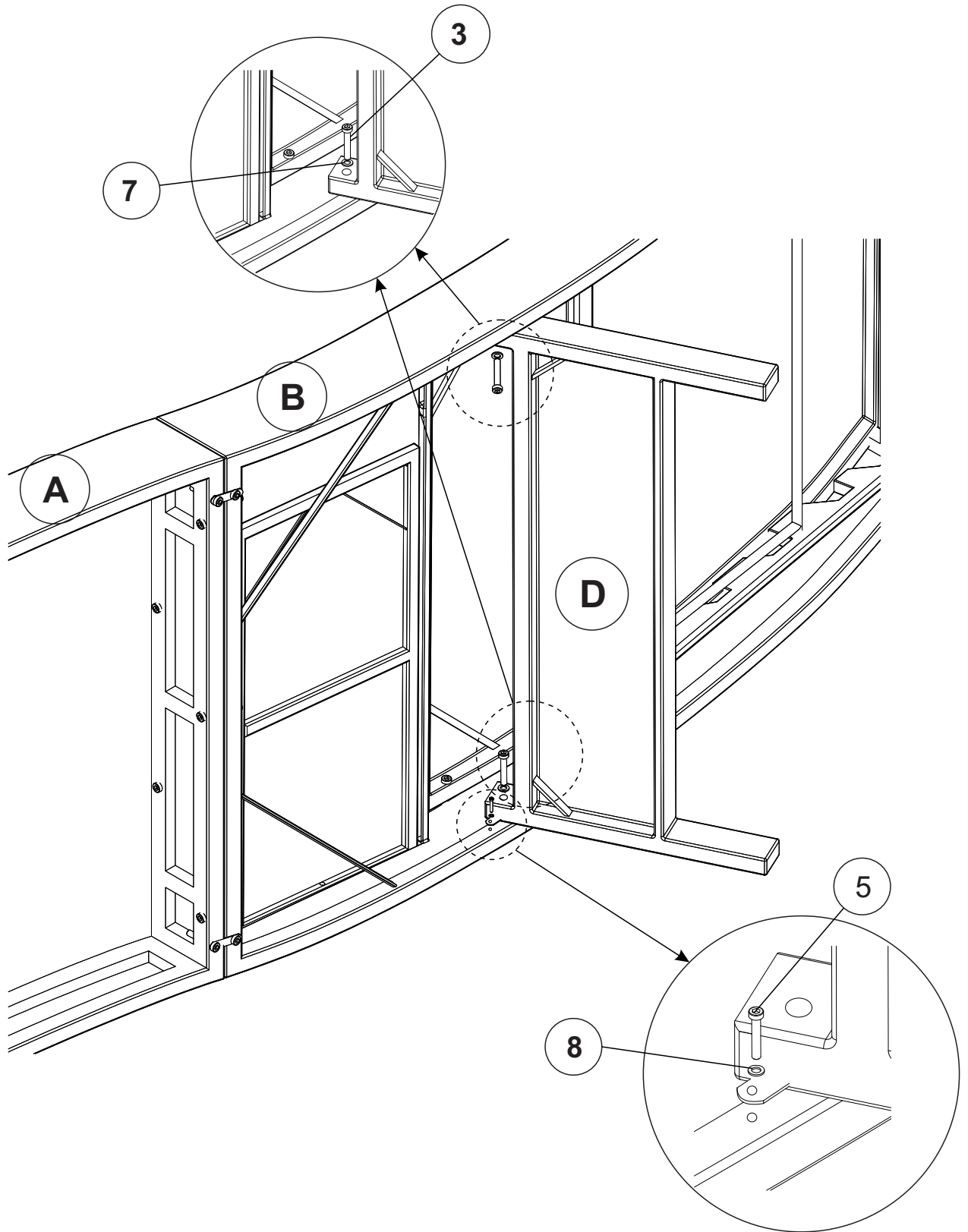
Connect The Rear Seat Body (A) & Rear Chair Legs (D) With Allenkey (12).

STEP 7

x2



- ③ x4
- ⑤ x4
- ⑦ x4
- ⑧ x4



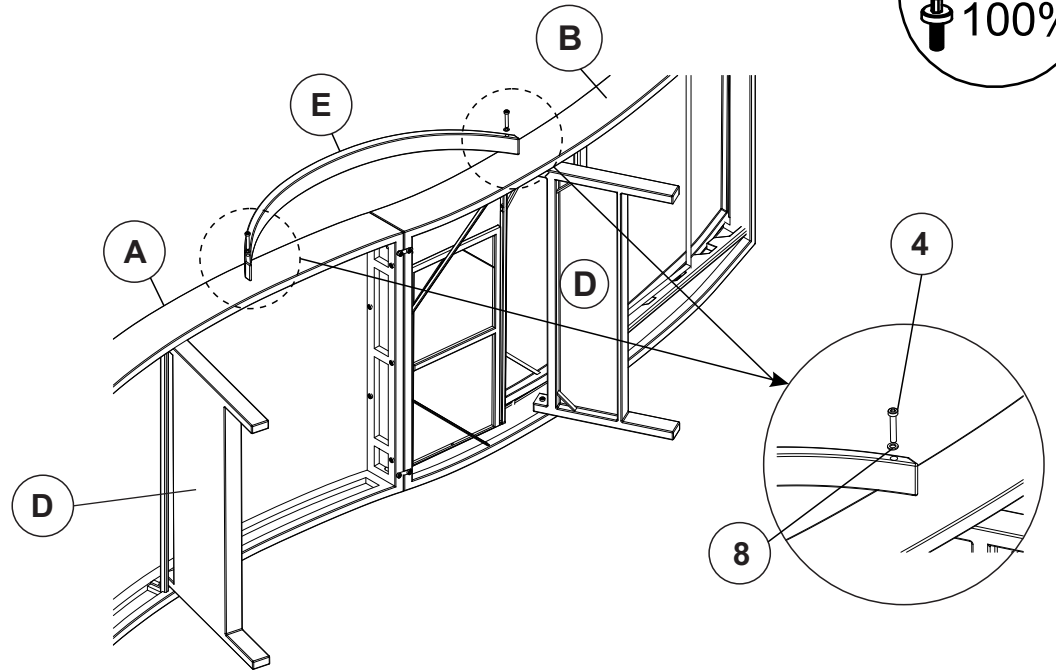
Connect The Front Seat Body (B) & Front Chair Legs (D) With Allenkey (12).

STEP 8

x2

④ x4

⑧ x4



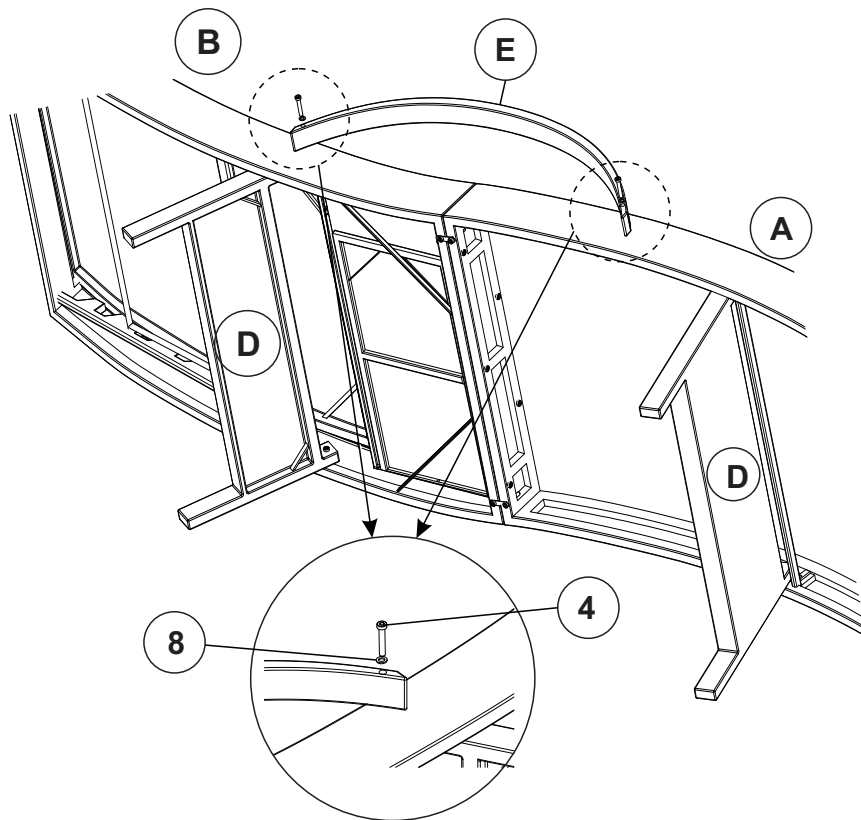
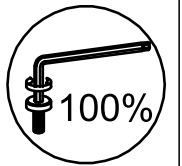
Connect The Arm Chair (E) & Rear Seat Body (A), Front Seat Body (B) With Allenkey (12)

STEP 9

x2

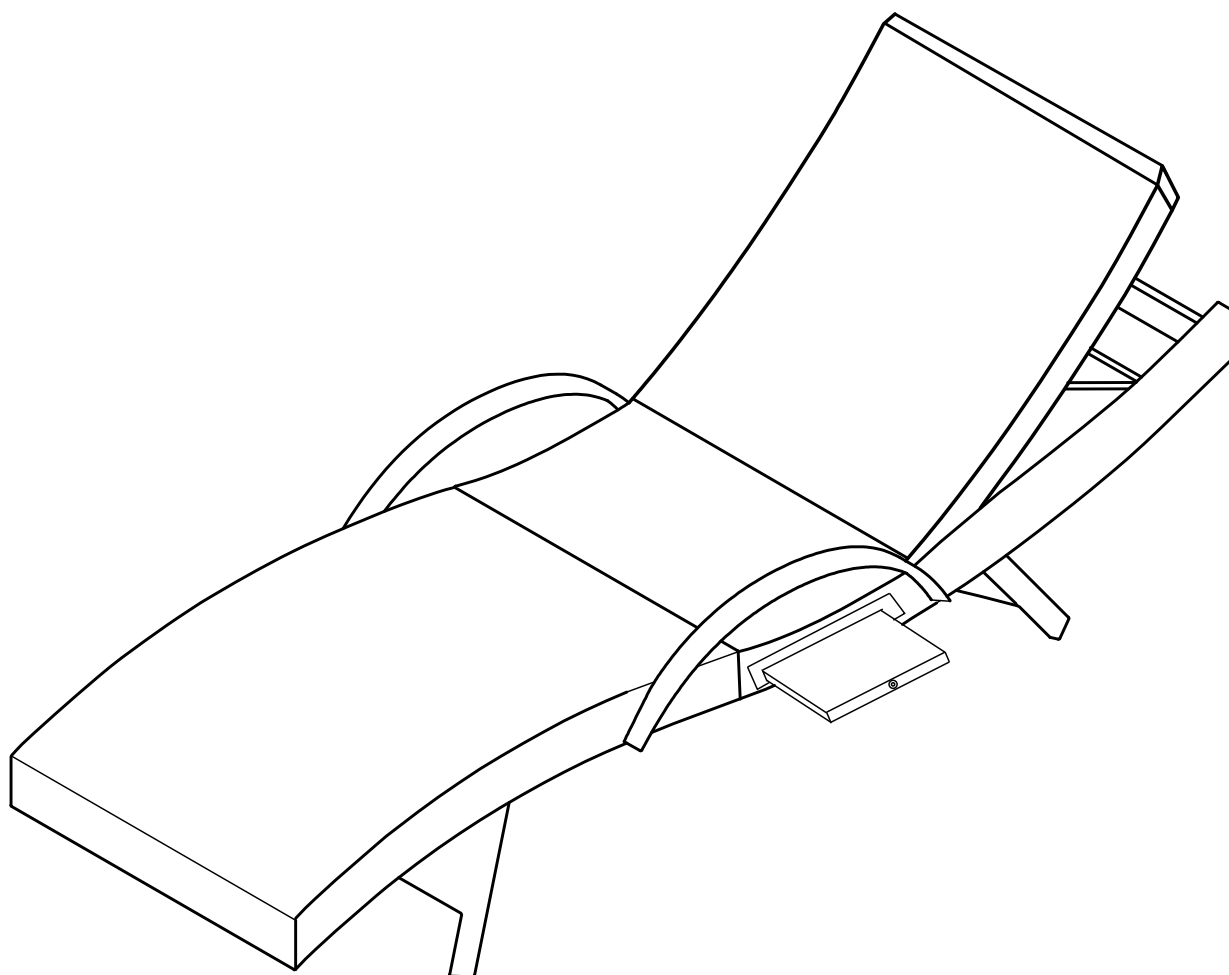
④ x4

⑧ x4



Connect The Arm Chair (E) & Rear Seat Body (A), Front Seat Body (B) With Allenkey (12)

x2



Finish