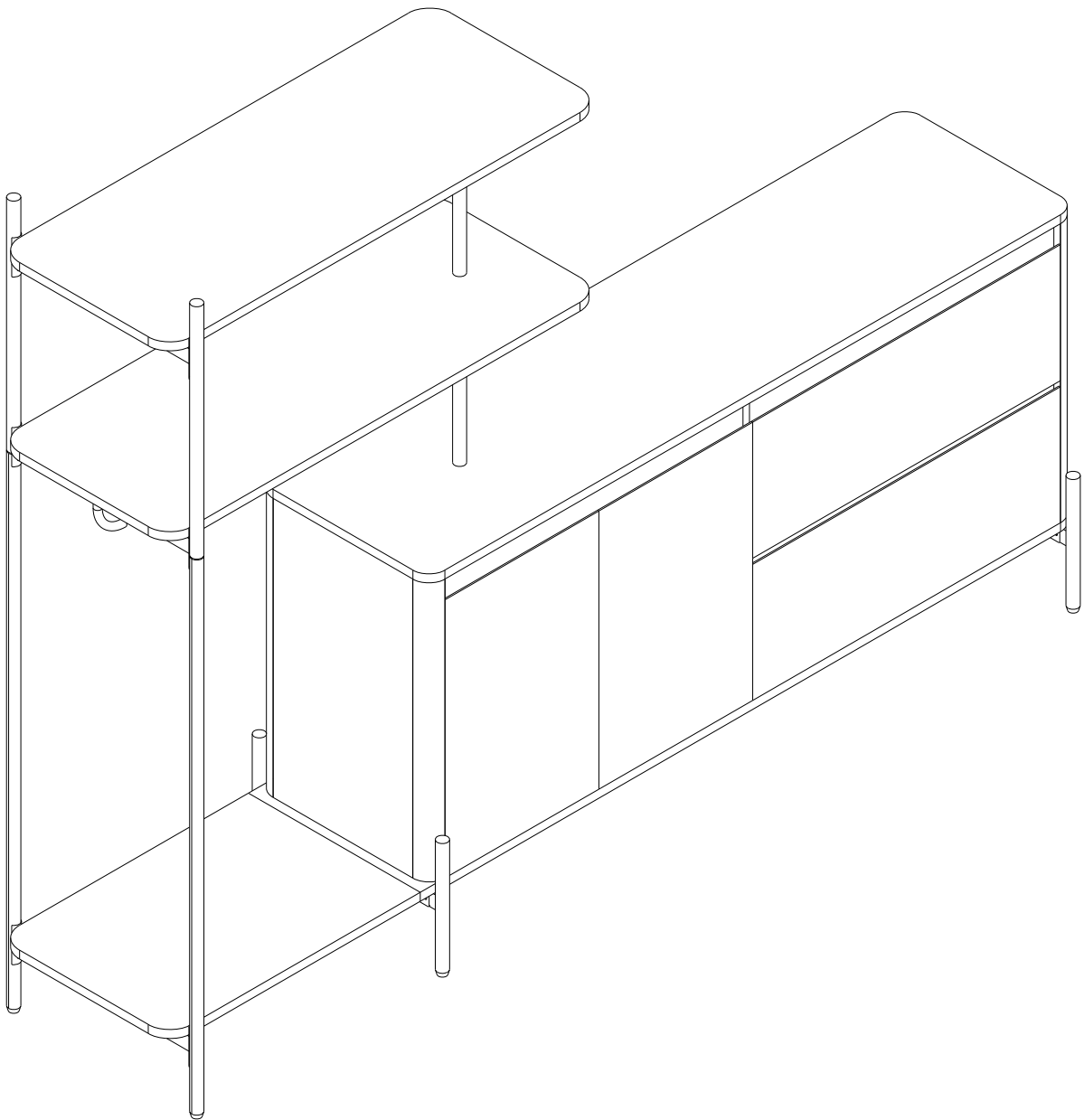
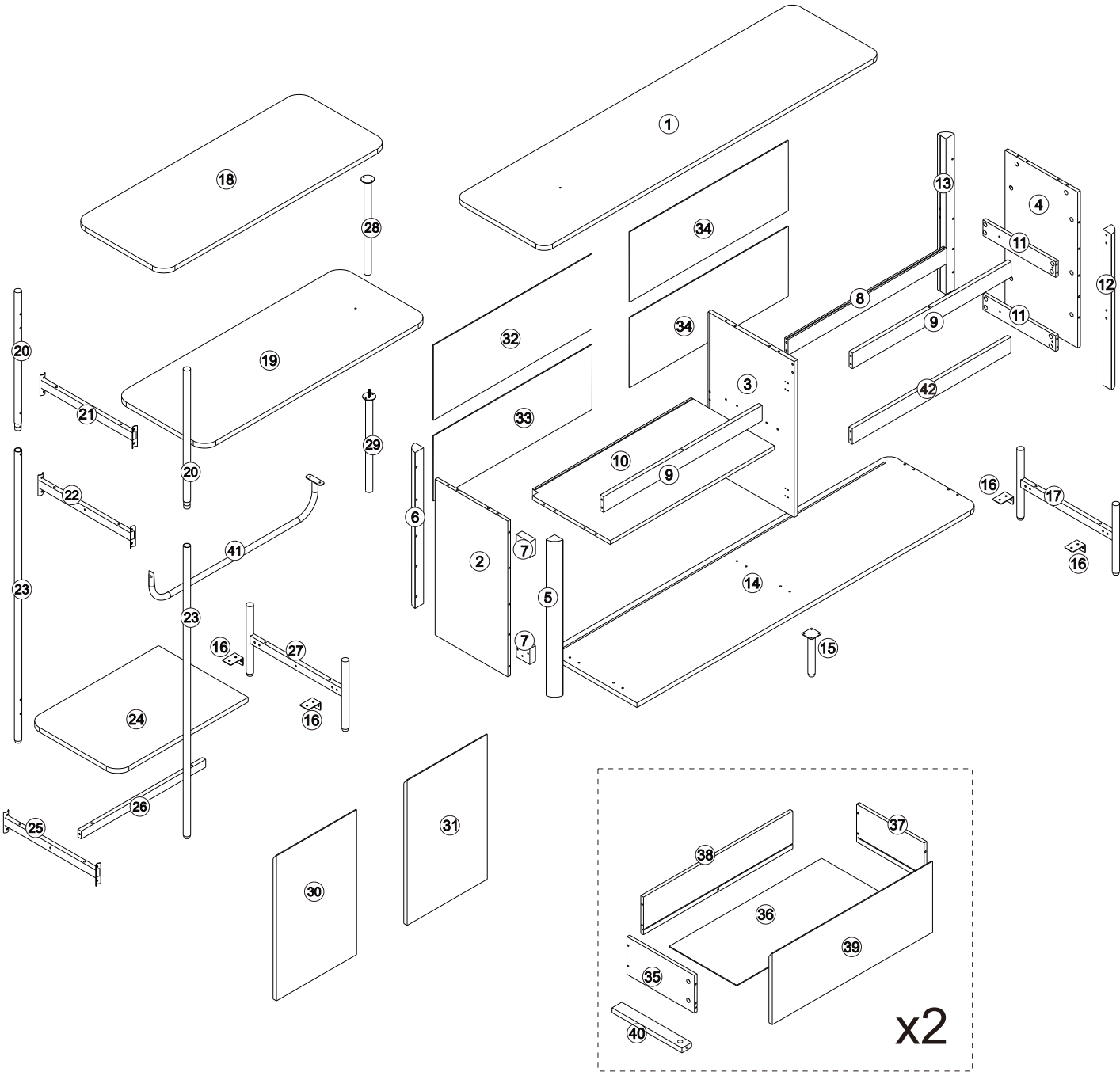


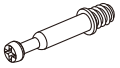

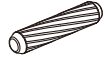
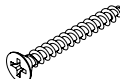

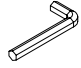





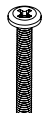
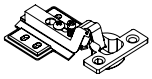
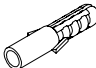

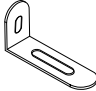
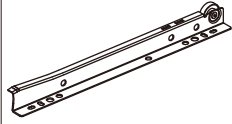
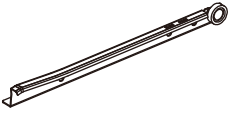
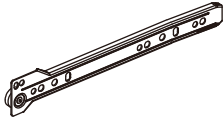
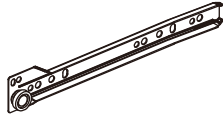
Installation & Assembly



PARTS LIST

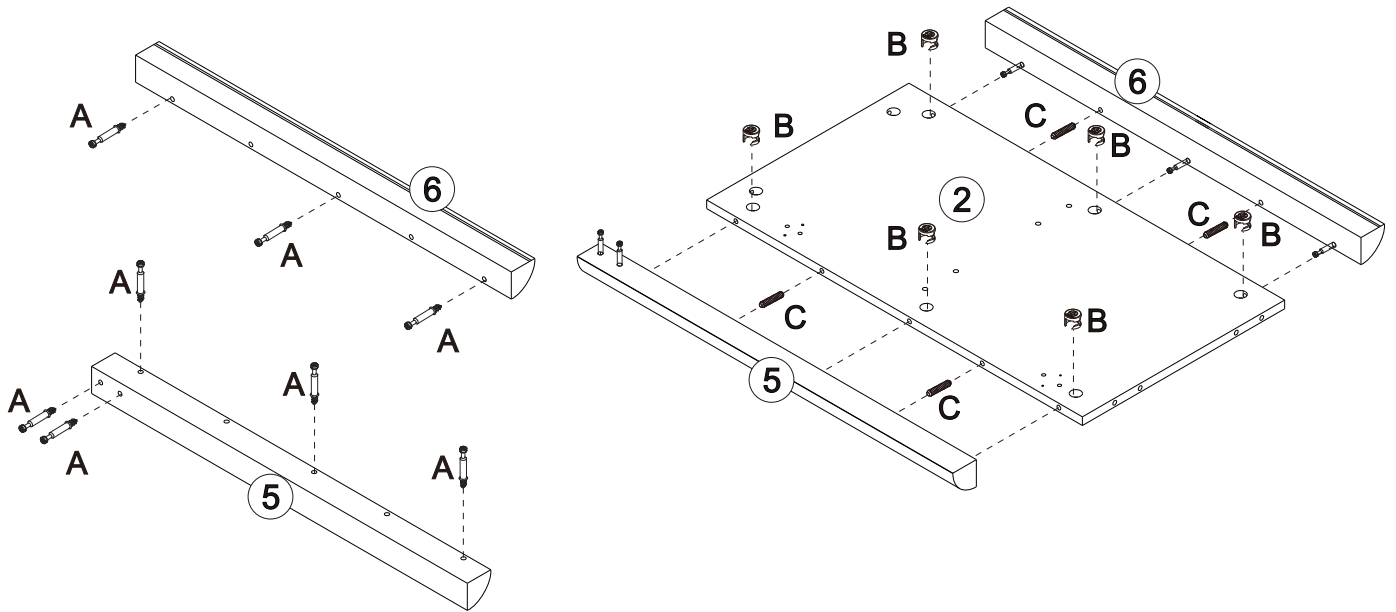


HARDWEAR LIST

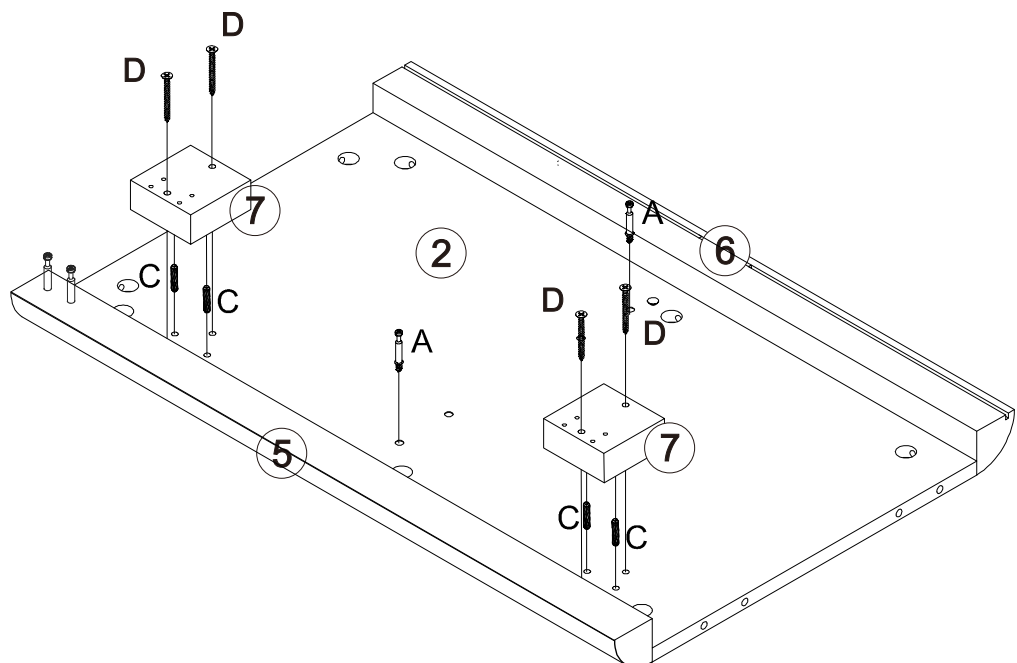
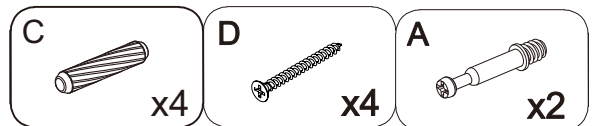
											
A	58pcs	B	58pcs	C	28pcs	D	22pcs	E	24pcs	F	1pc
											
G	18pcs	H	21 pcs	J	16pcs	K	2pcs	L	16pcs	M	15pcs
											
P	2pcs	Q	2pcs	R	2pcs	S	2pcs				
											
DL	2pcs	DR	2pcs	CR	2pcs	CL	2pcs				

INSTALLATIONS

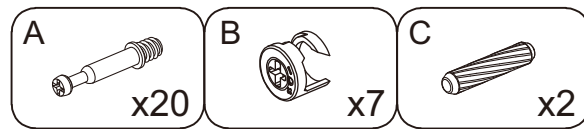
STEP 1



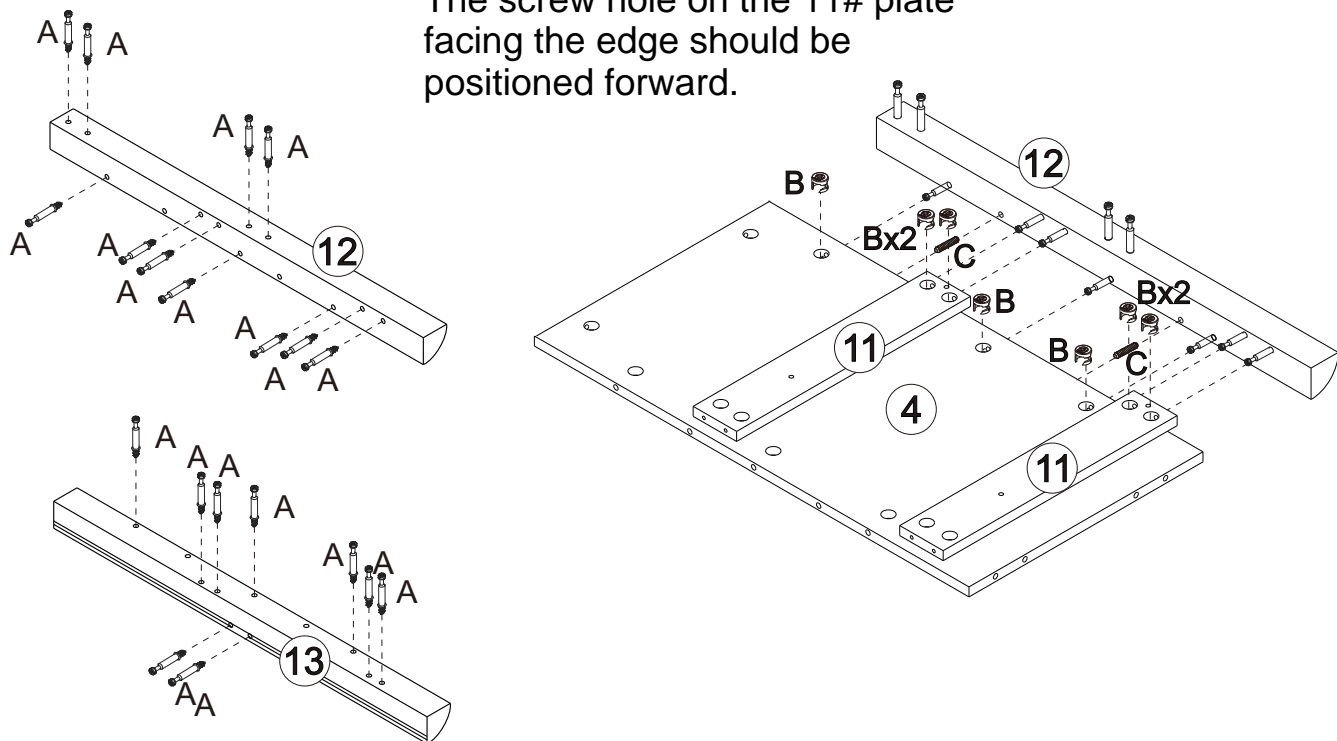
STEP 2



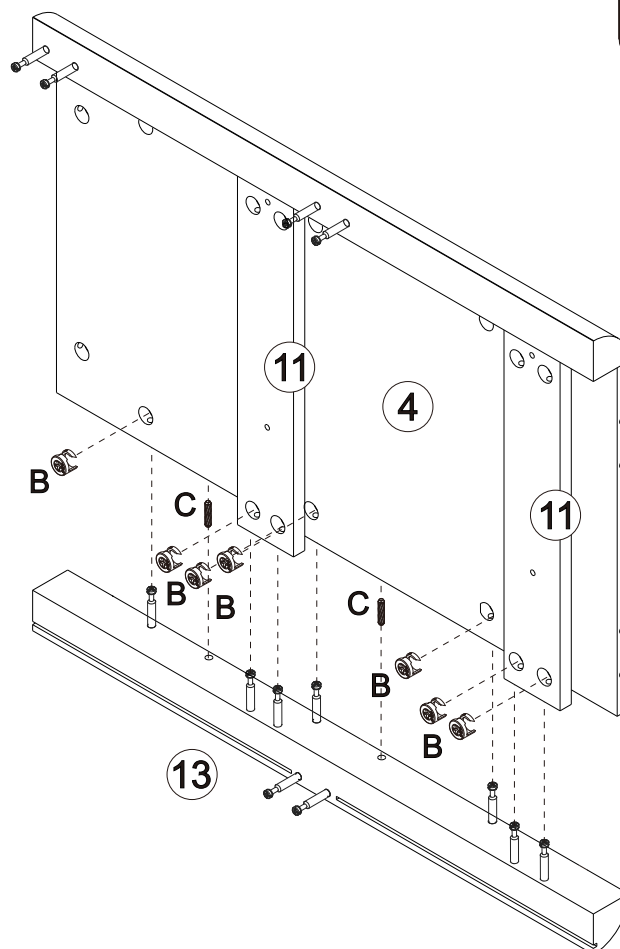
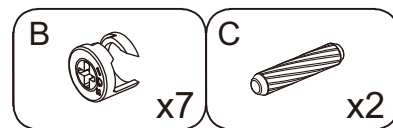
STEP 3



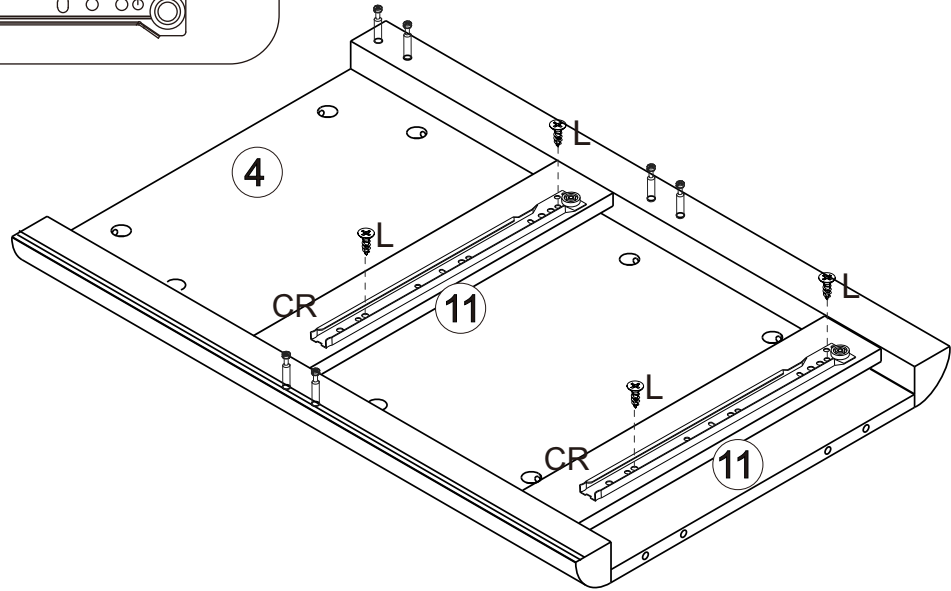
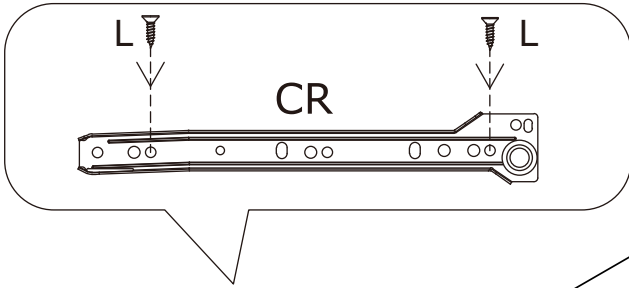
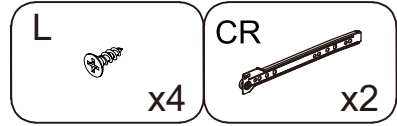
The screw hole on the 11# plate facing the edge should be positioned forward.



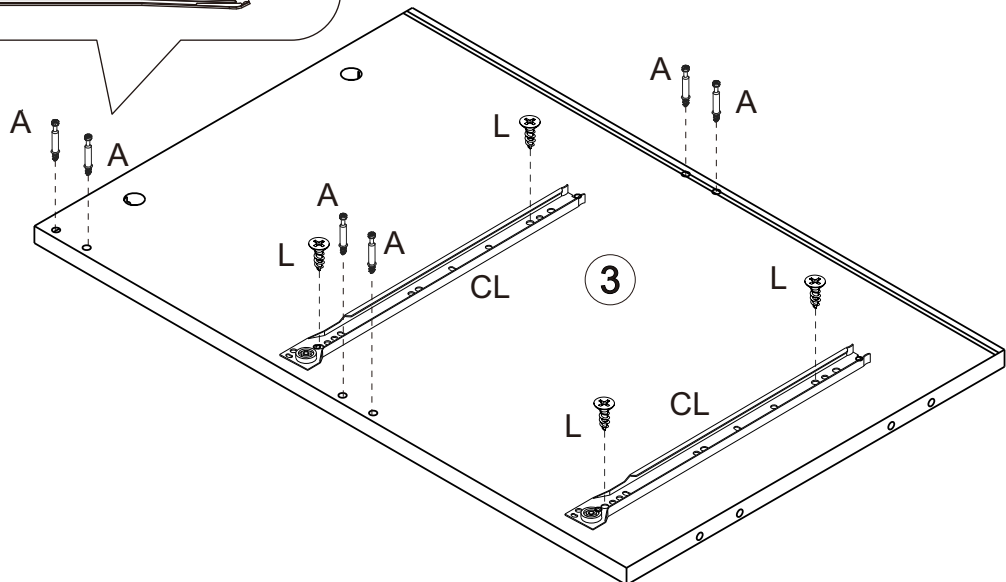
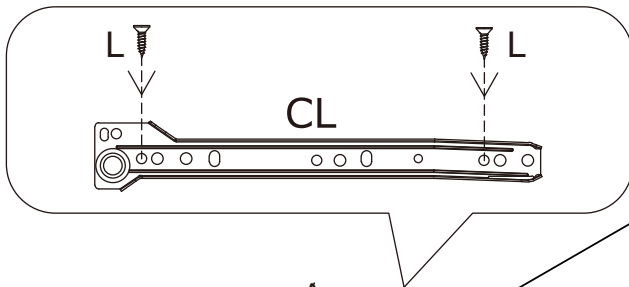
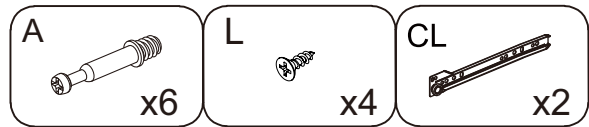
STEP 4



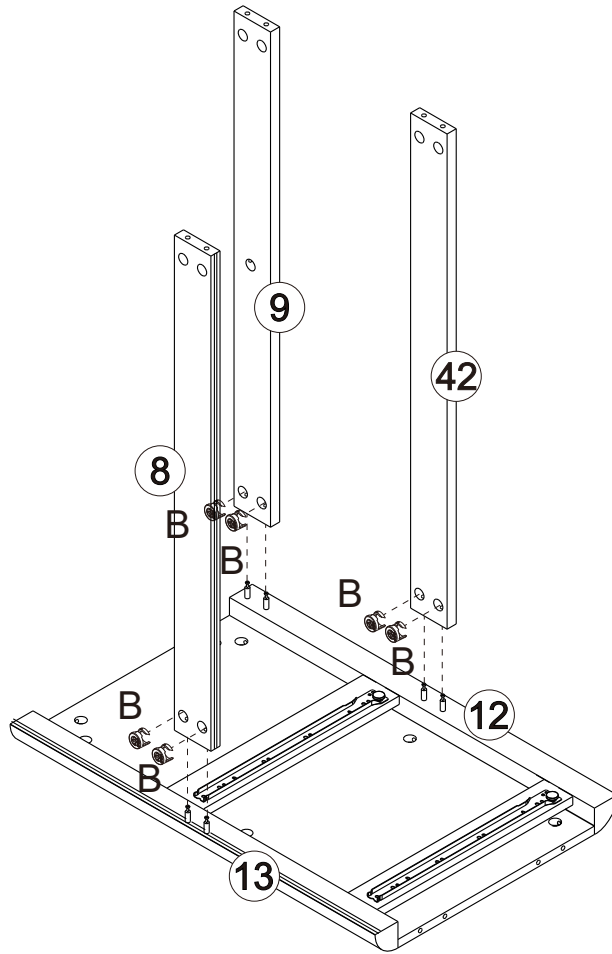
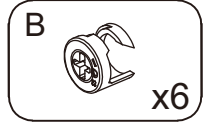
STEP 5



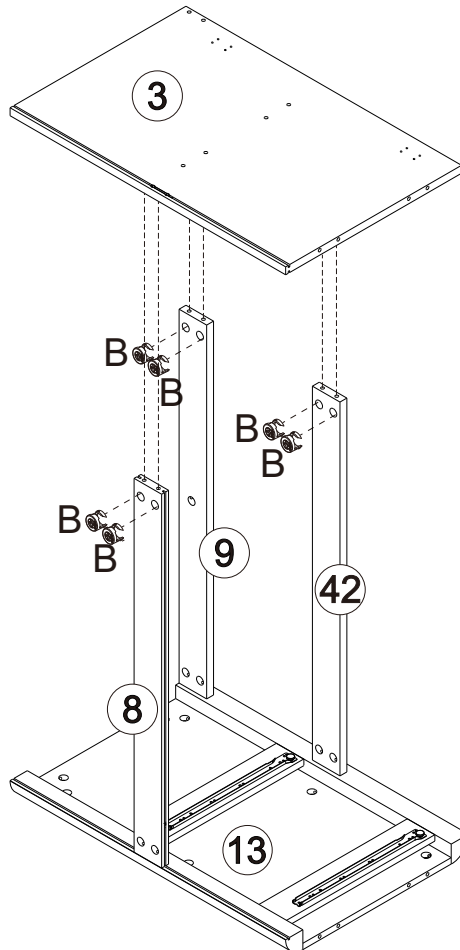
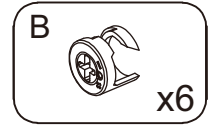
STEP 6



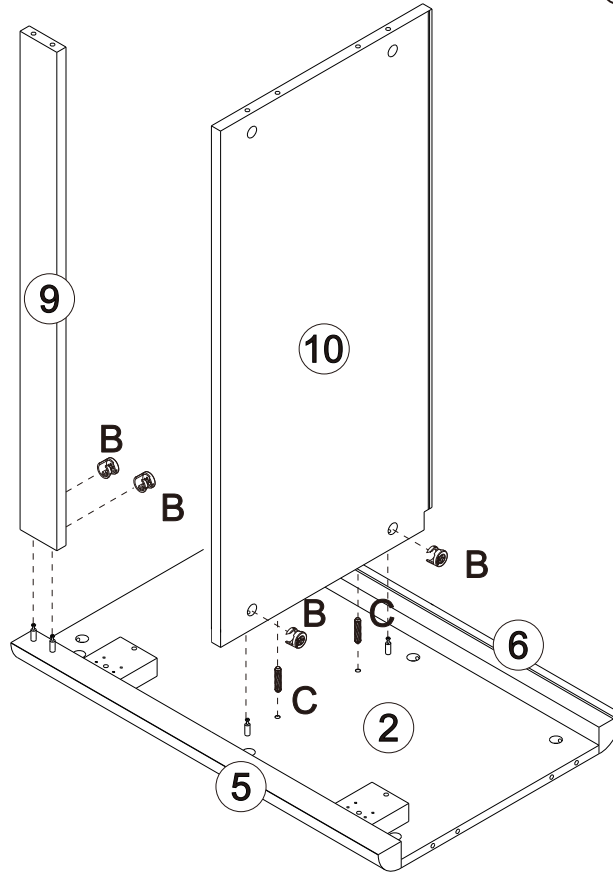
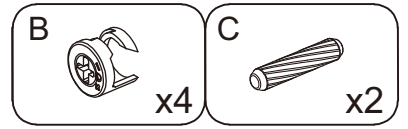
STEP 7



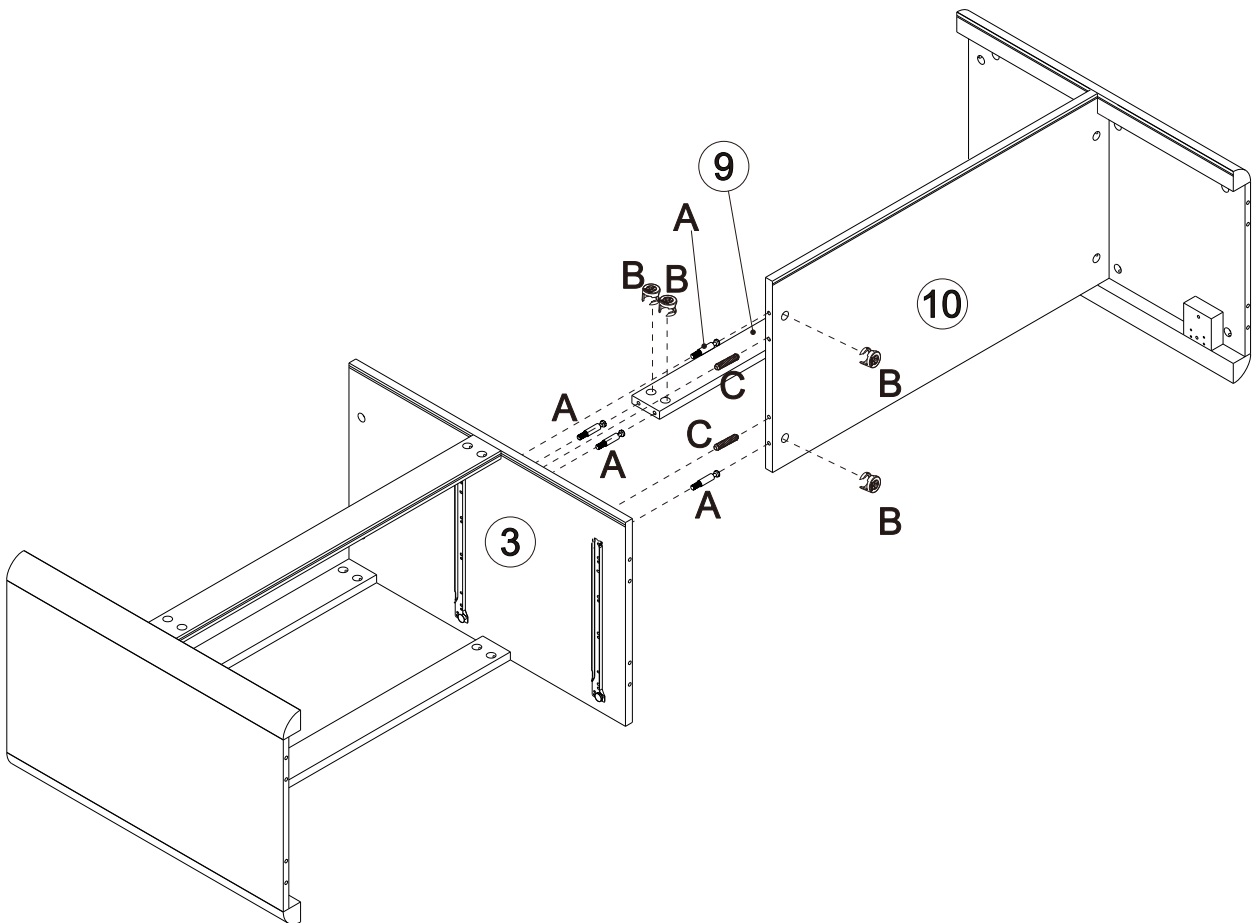
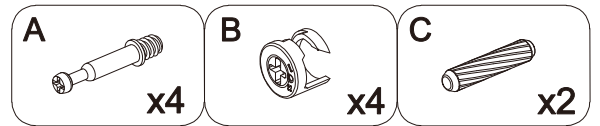
STEP 8



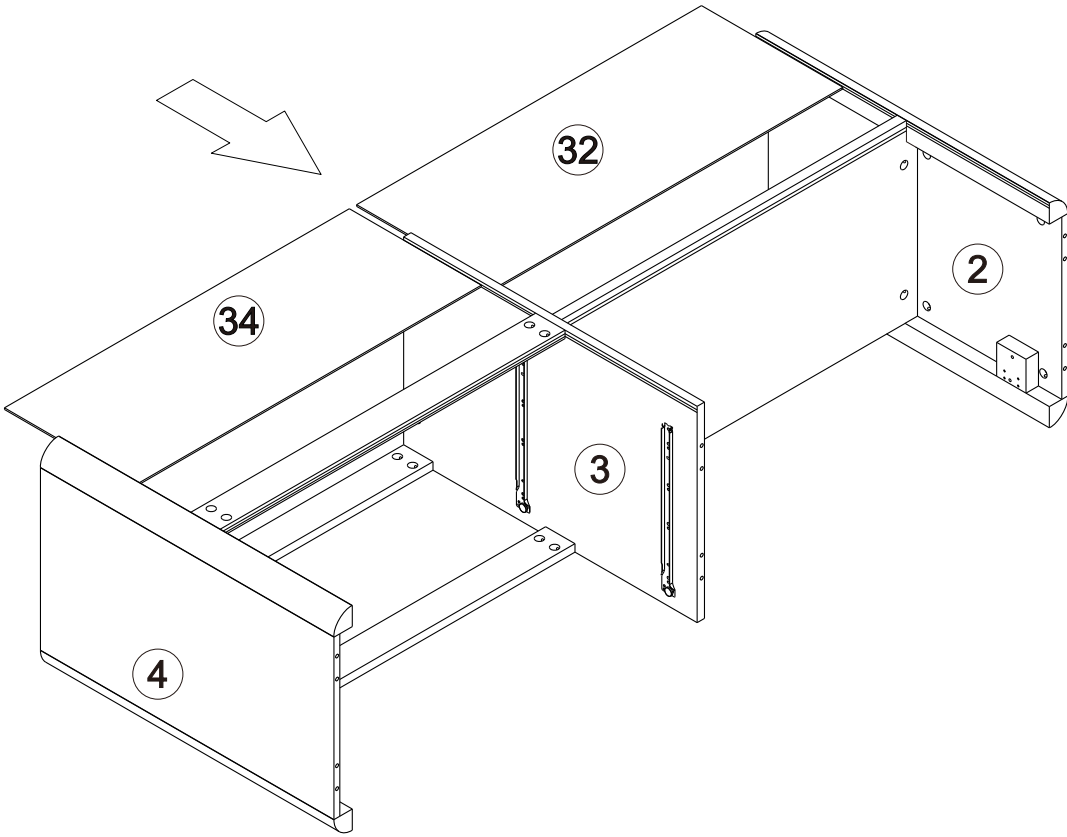
STEP 9



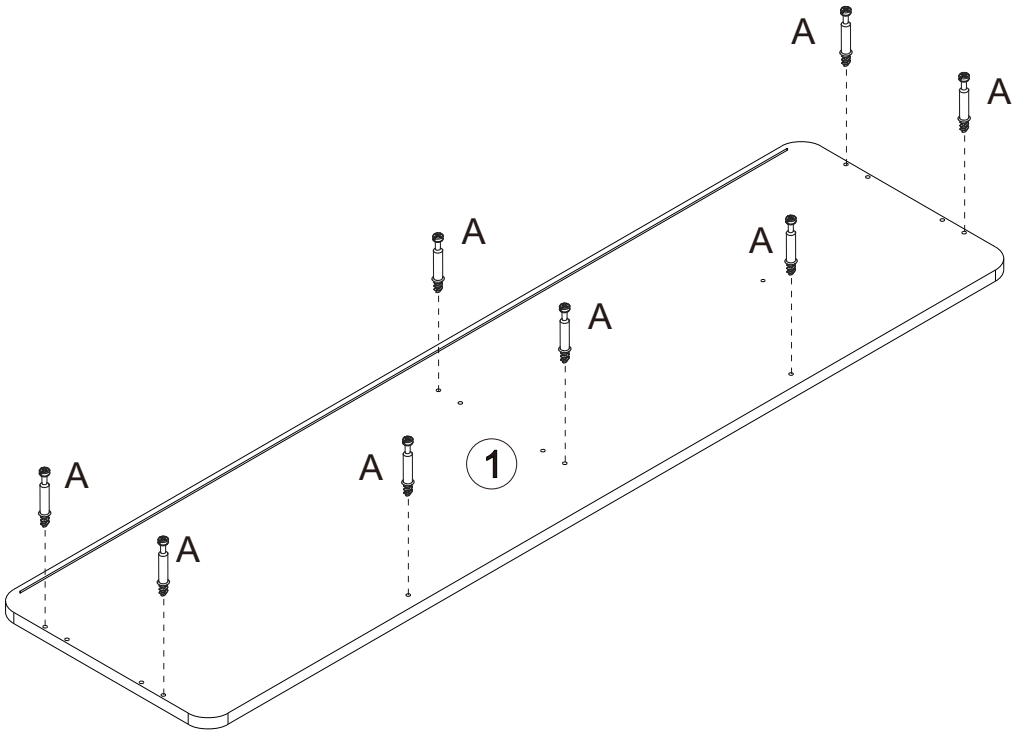
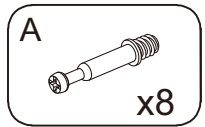
STEP 10



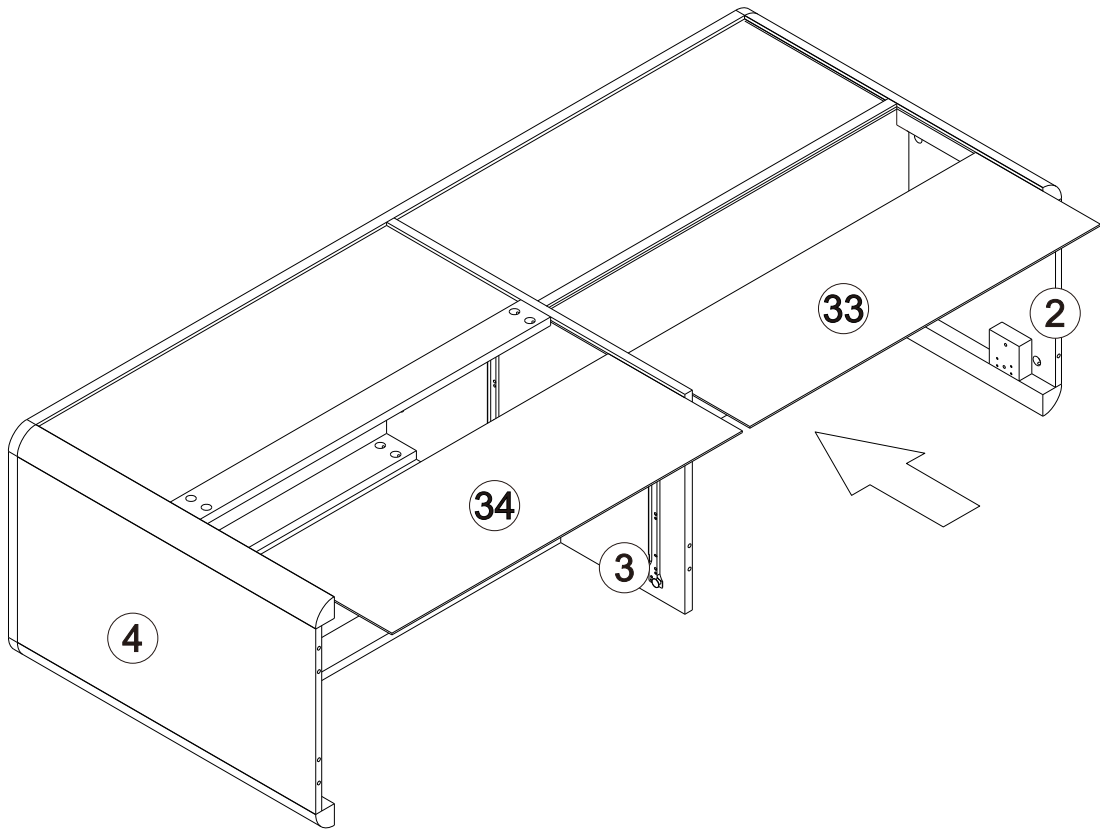
STEP 11



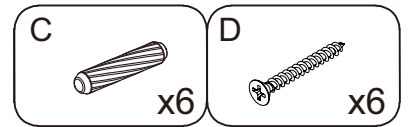
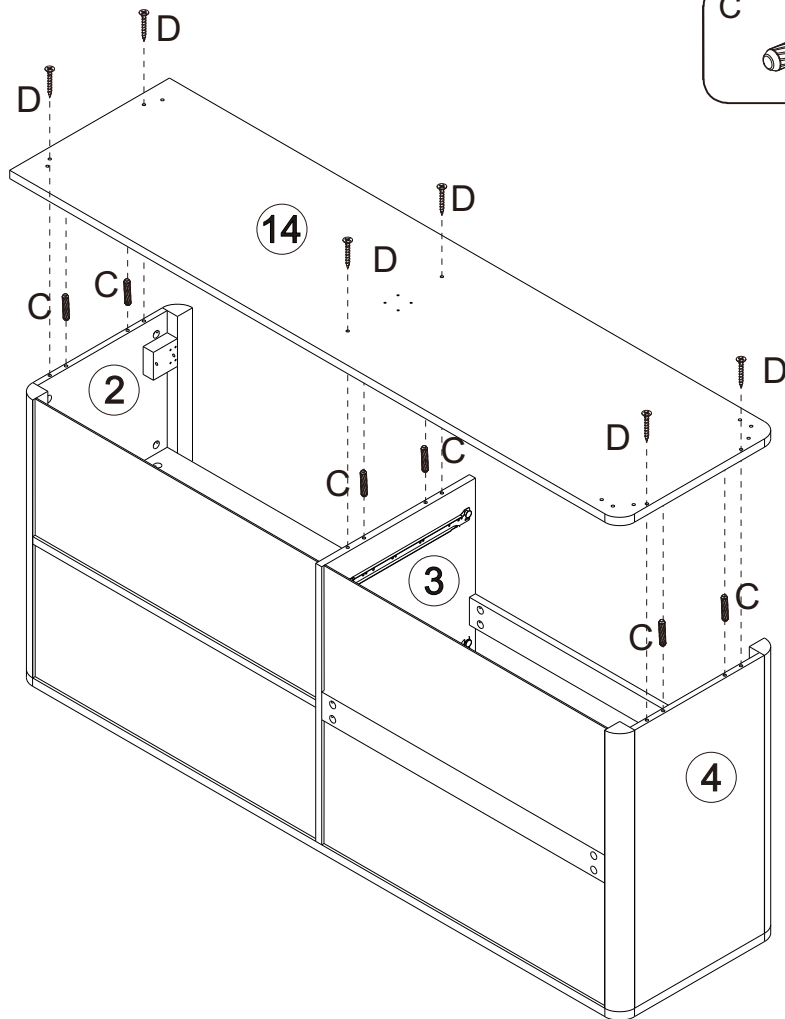
STEP 12



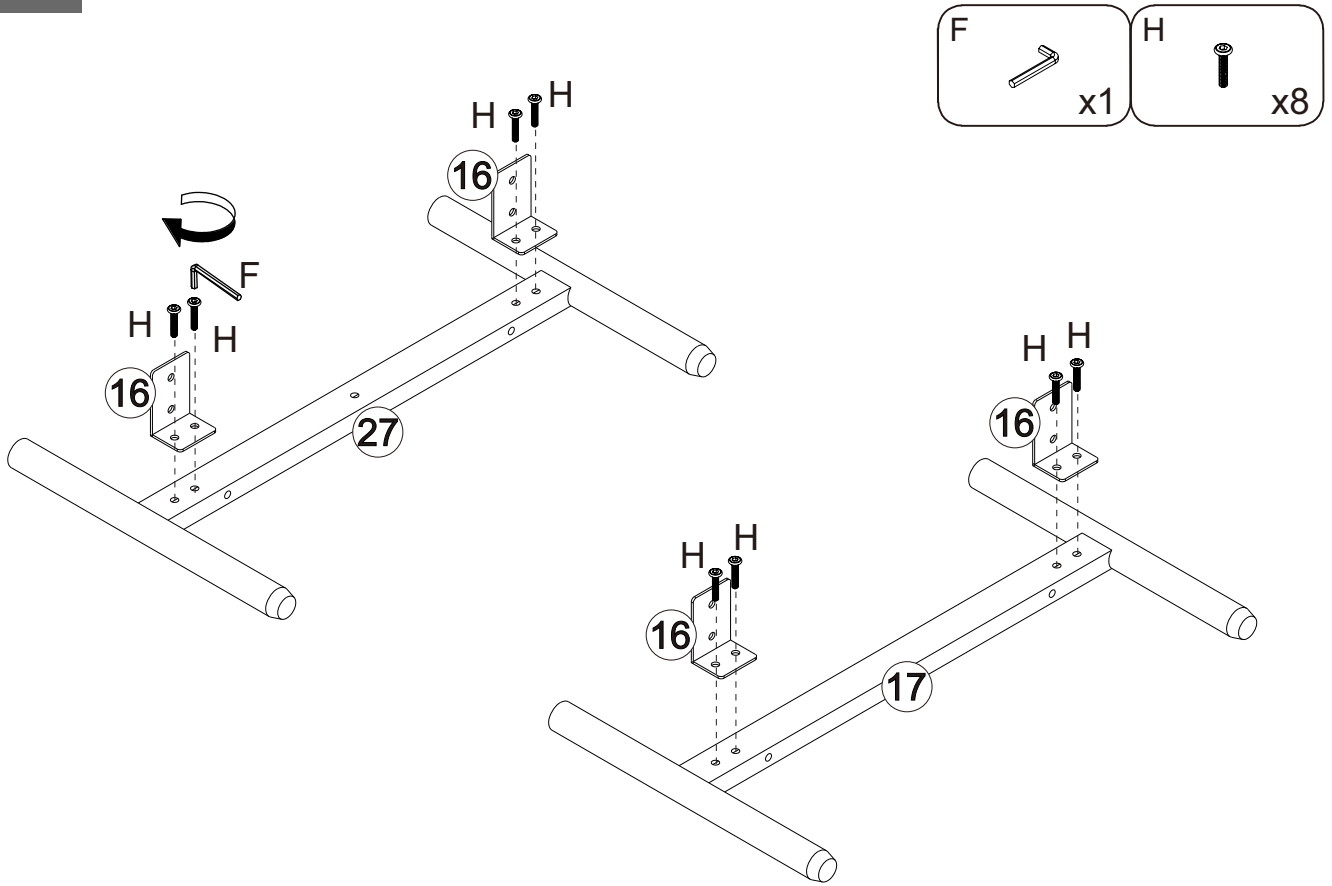
STEP 14



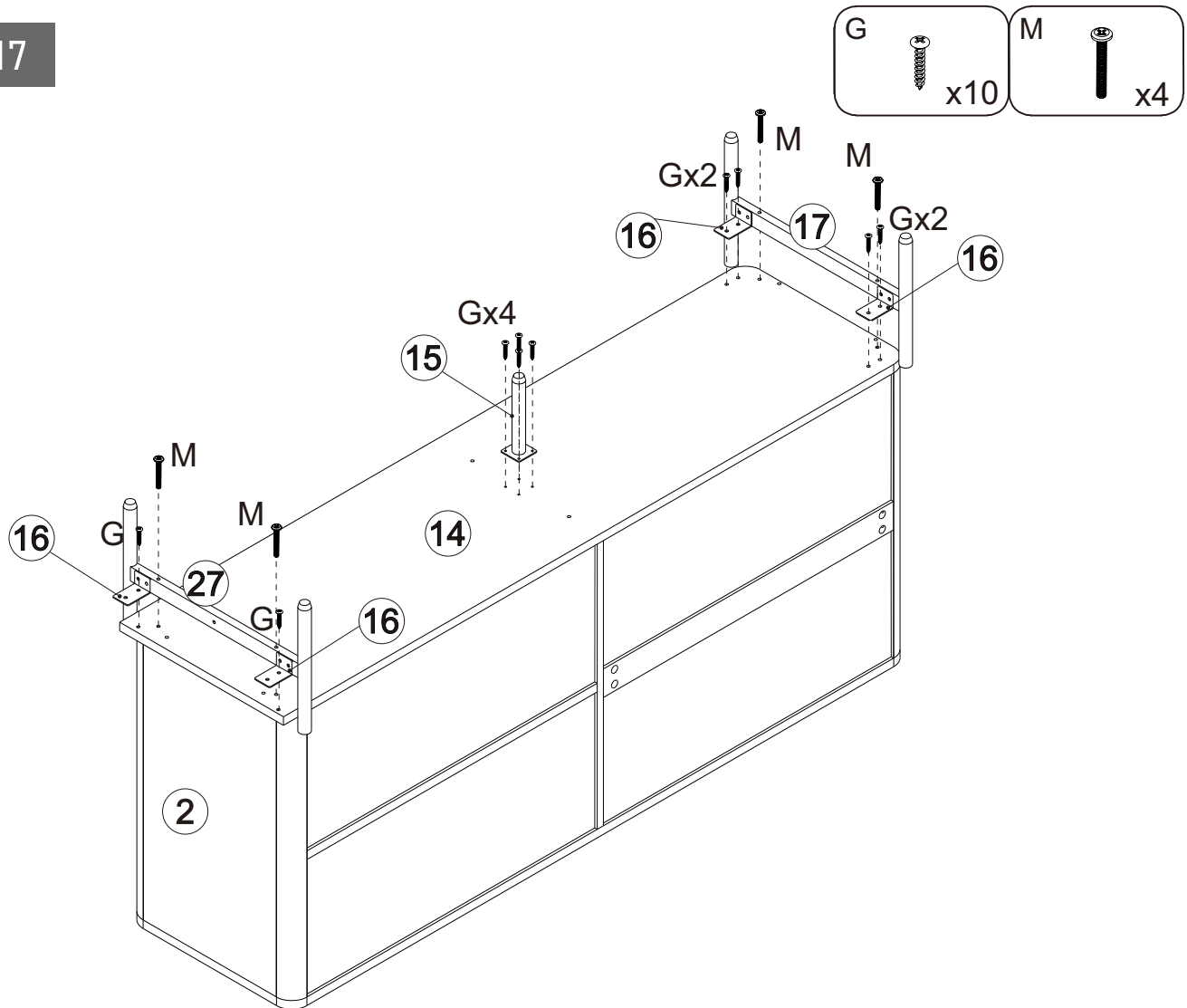
STEP 15



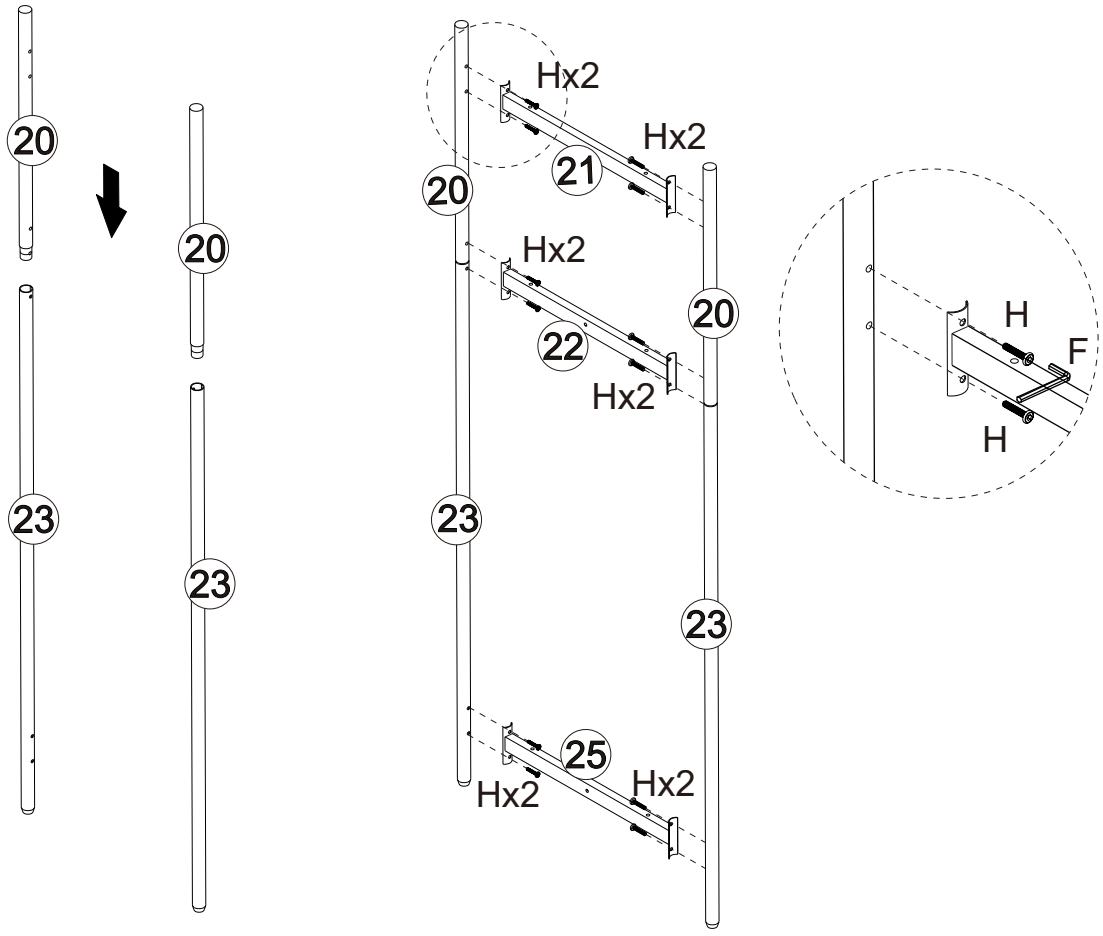
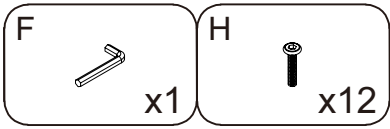
STEP 16



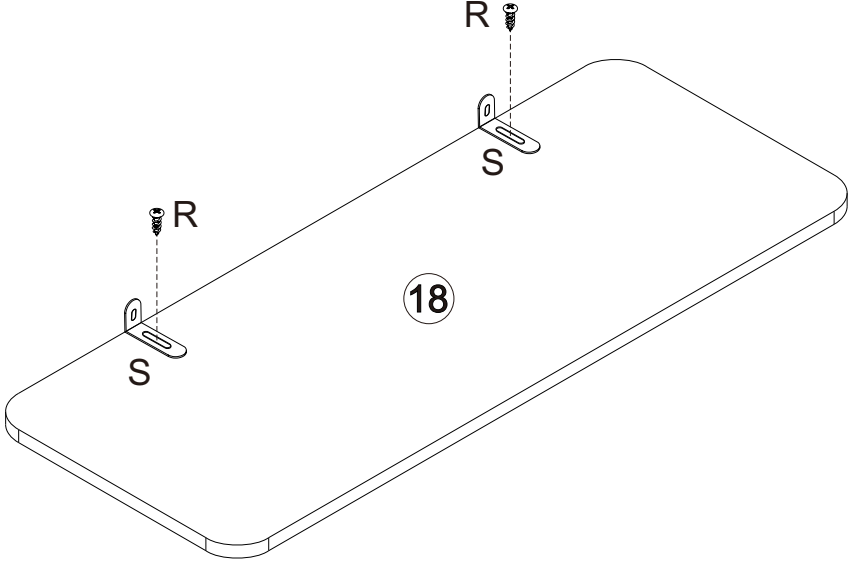
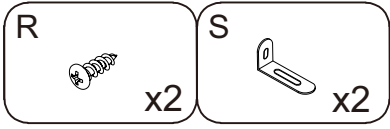
STEP 17



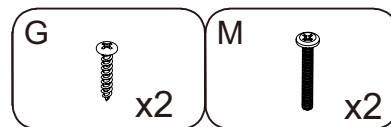
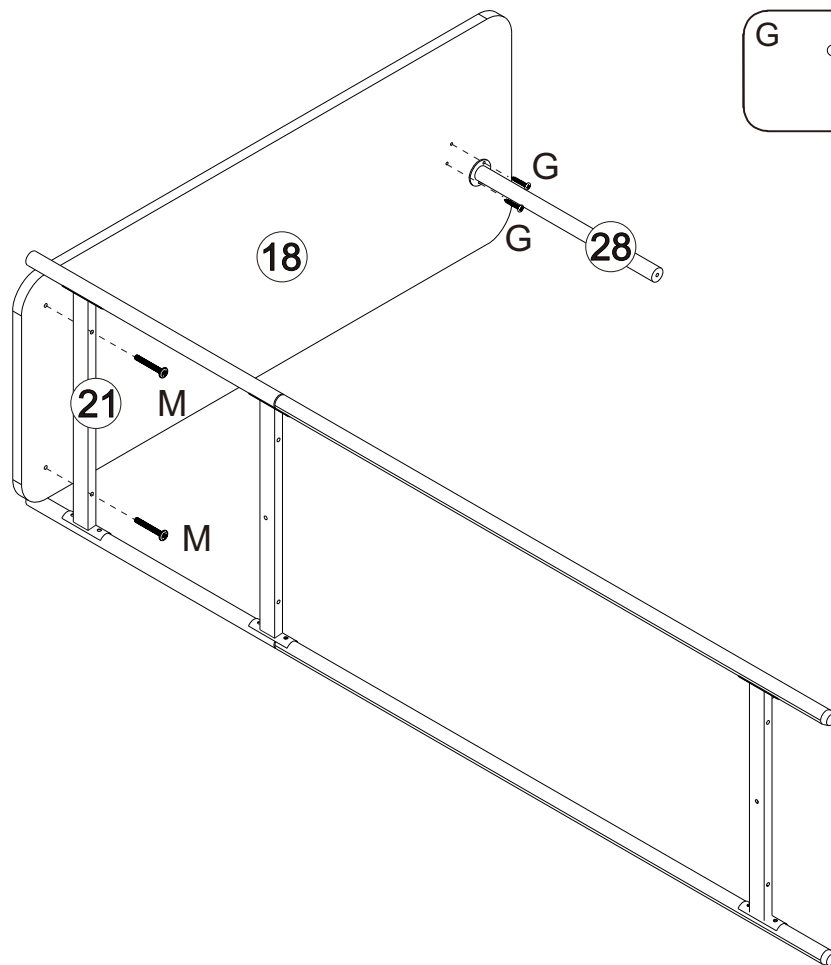
STEP 18



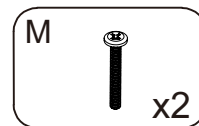
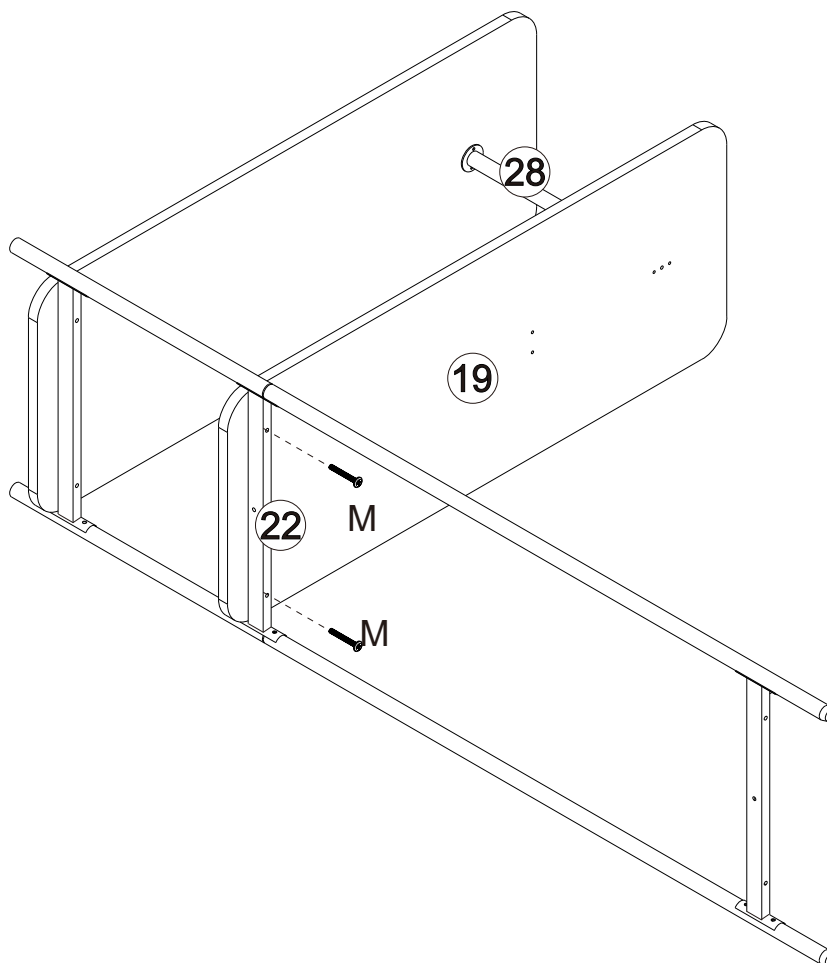
STEP 19



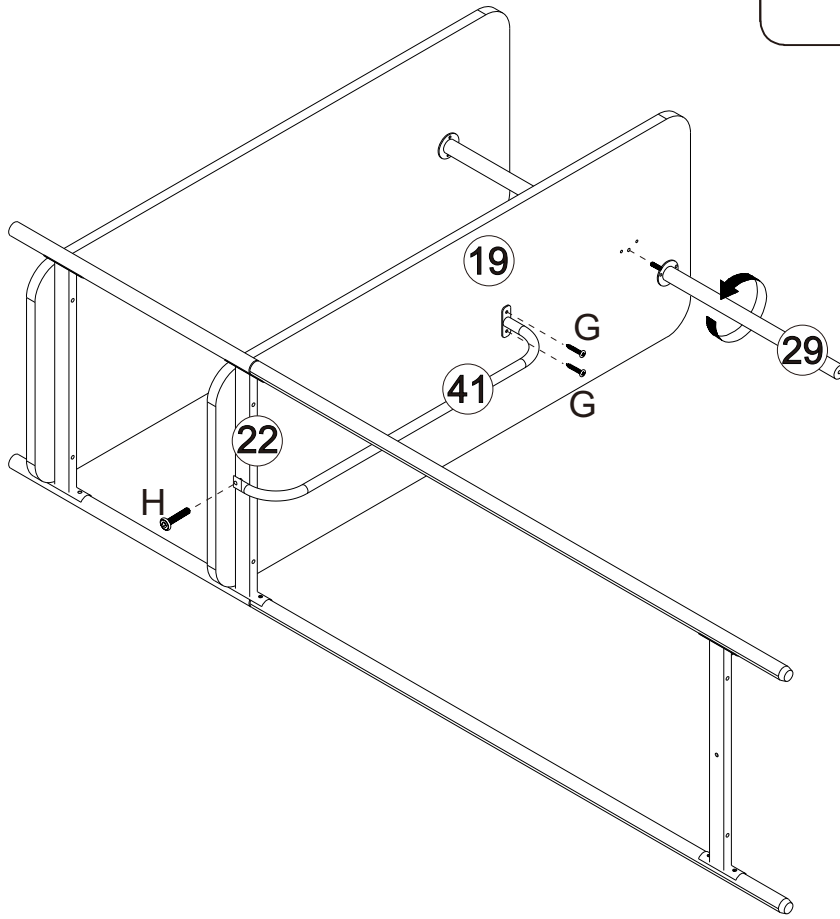
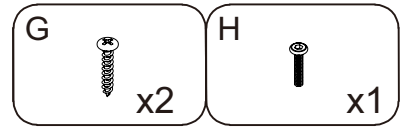
STEP 20



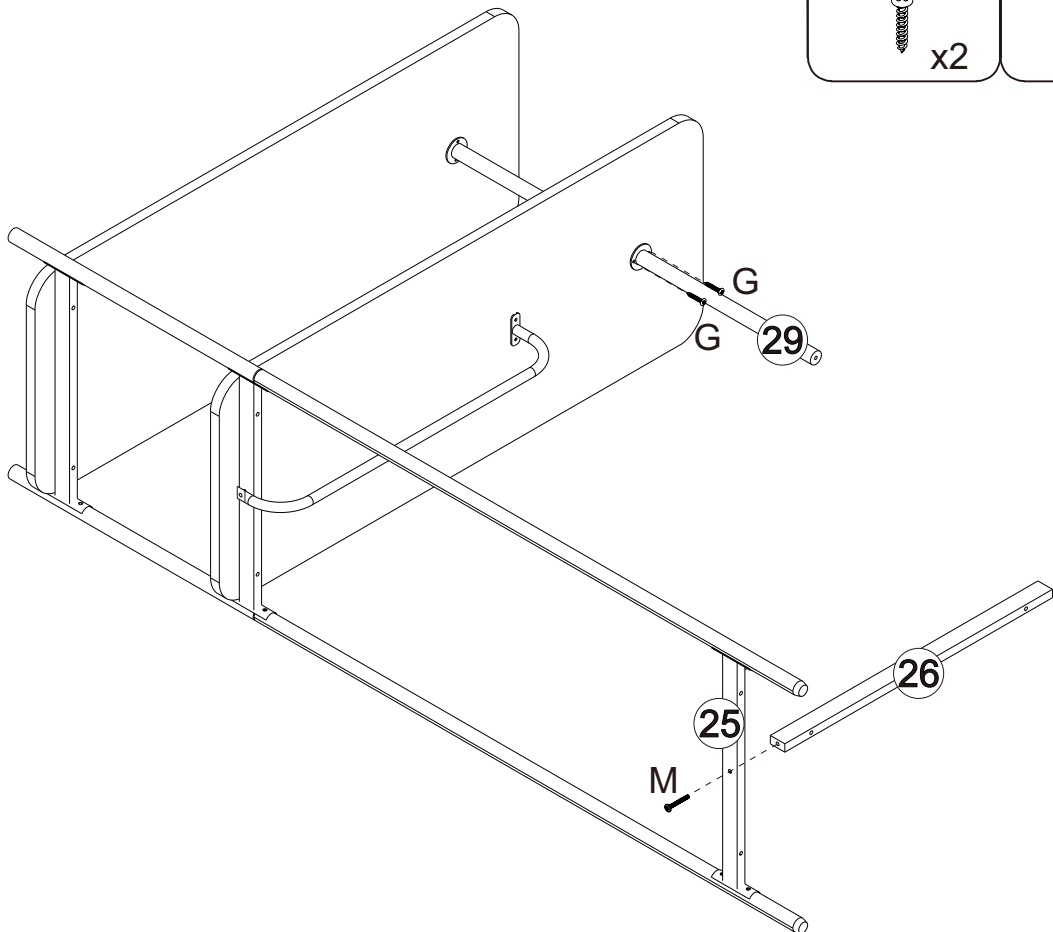
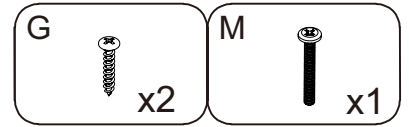
STEP 21



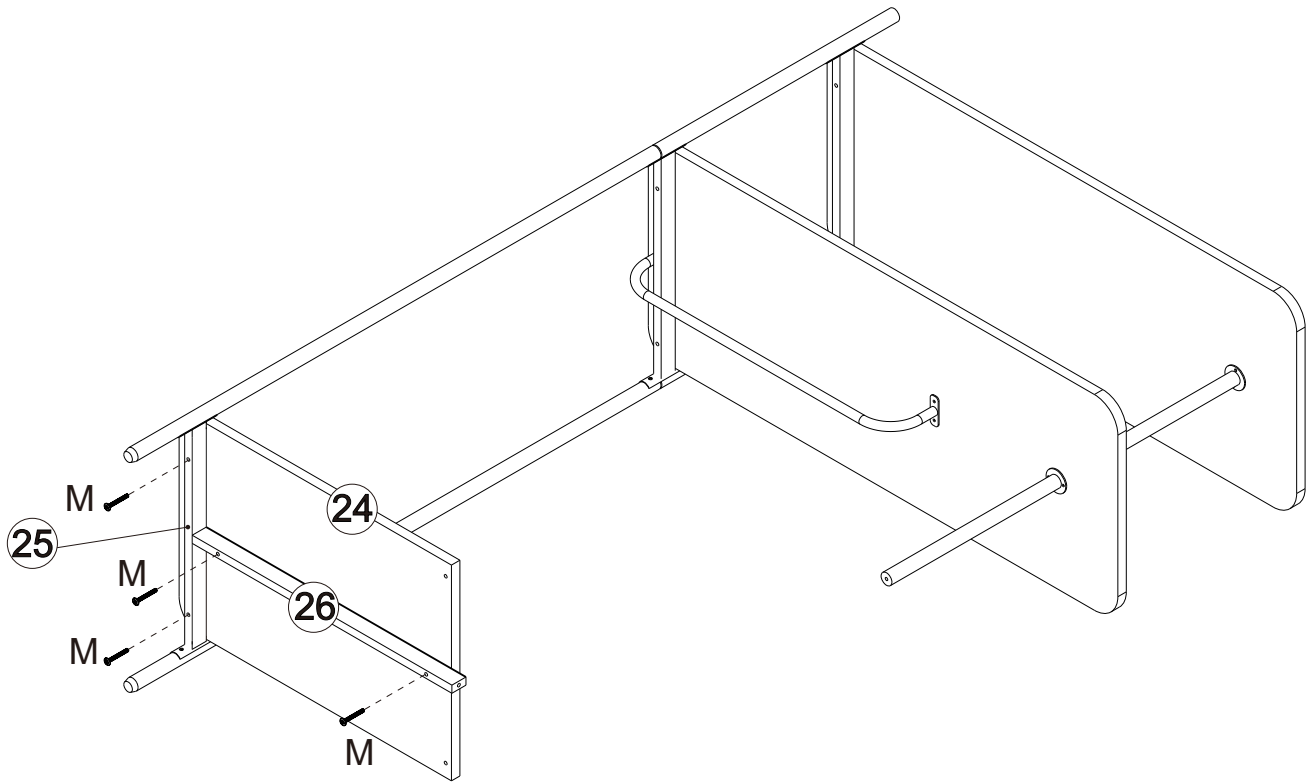
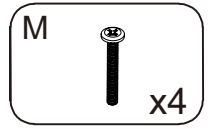
STEP 22



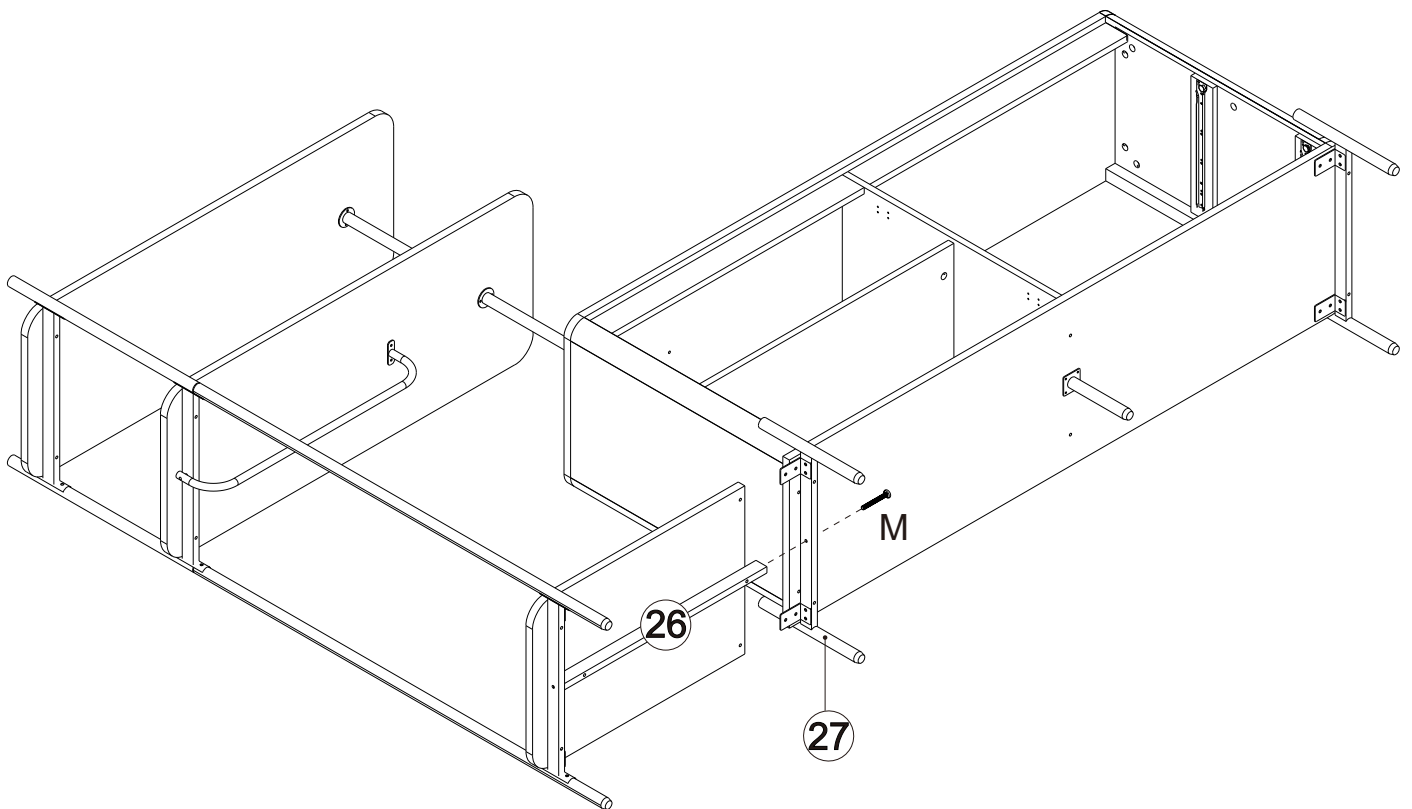
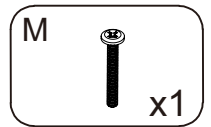
STEP 23



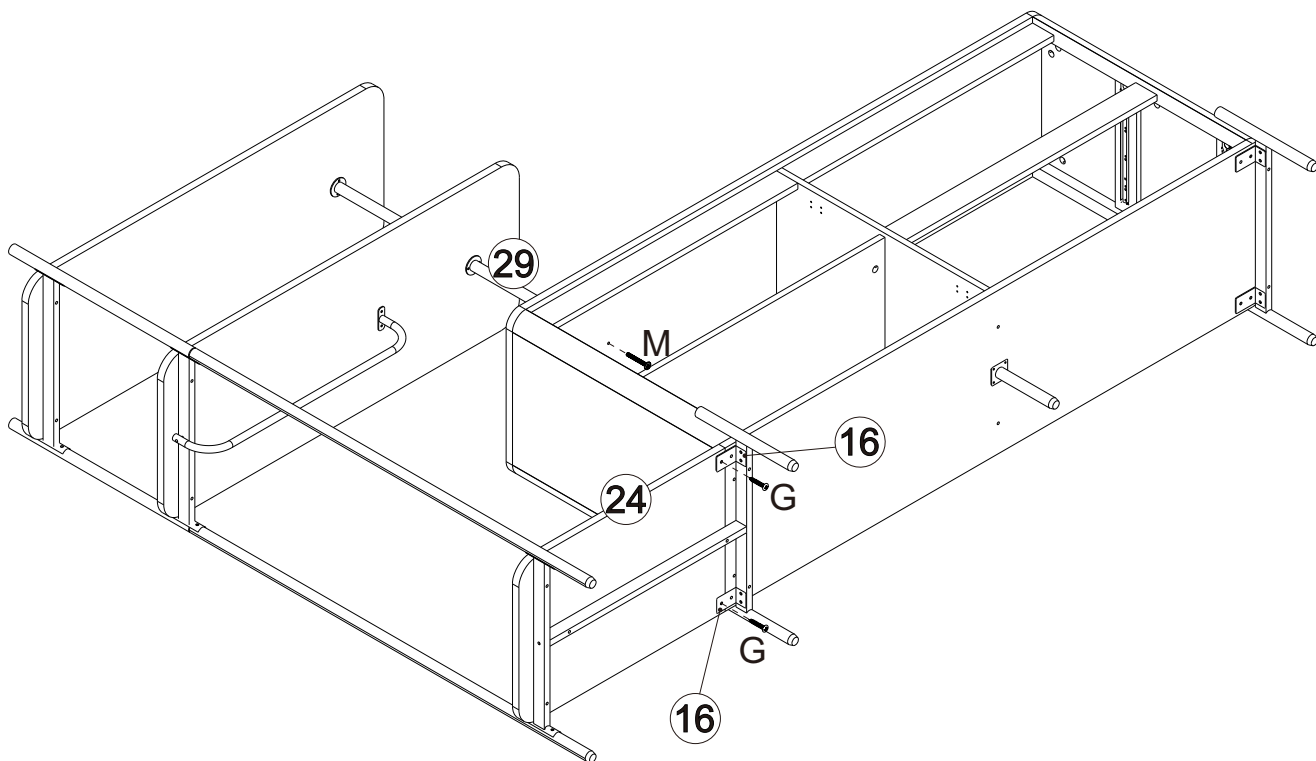
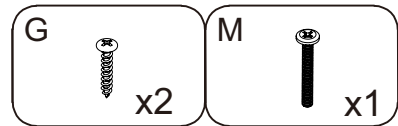
STEP 24



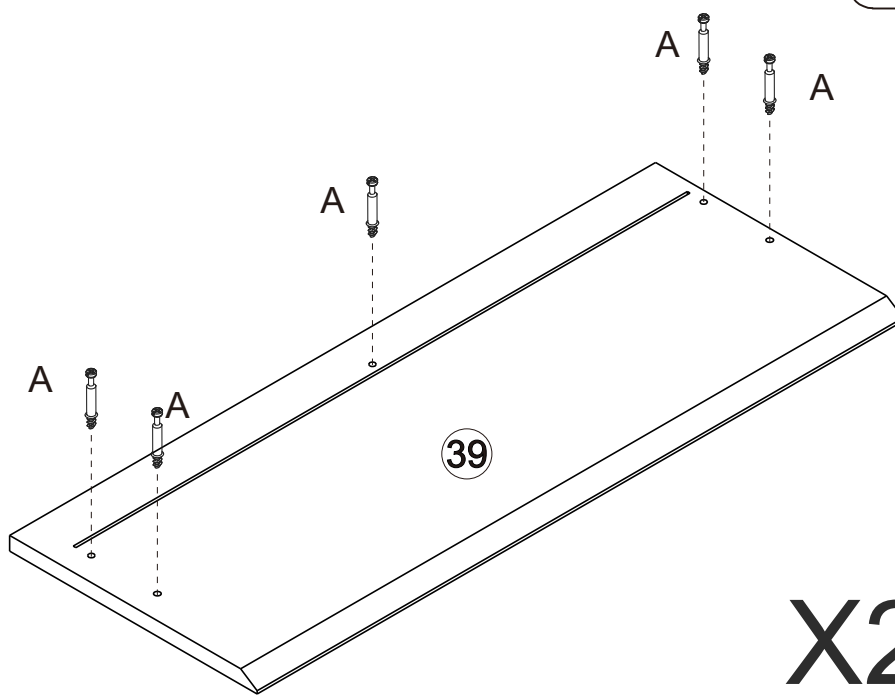
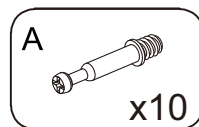
STEP 25



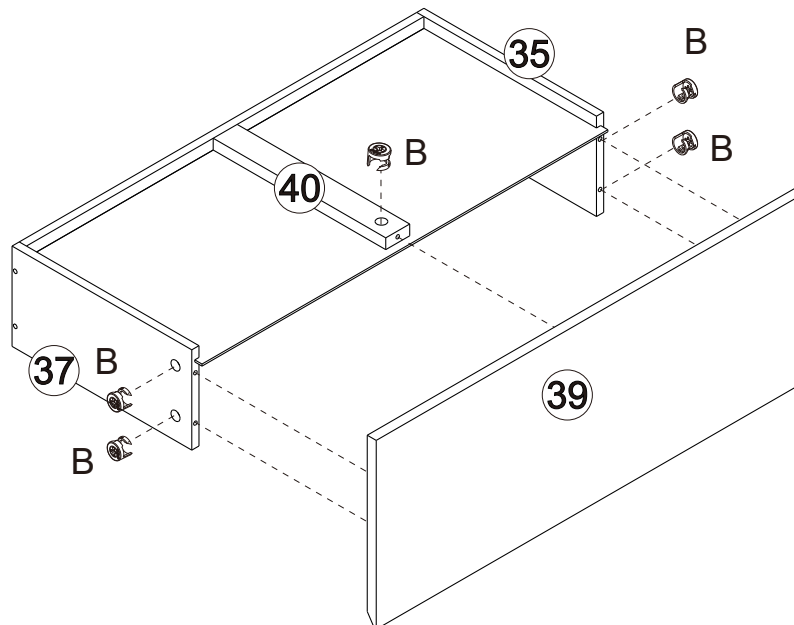
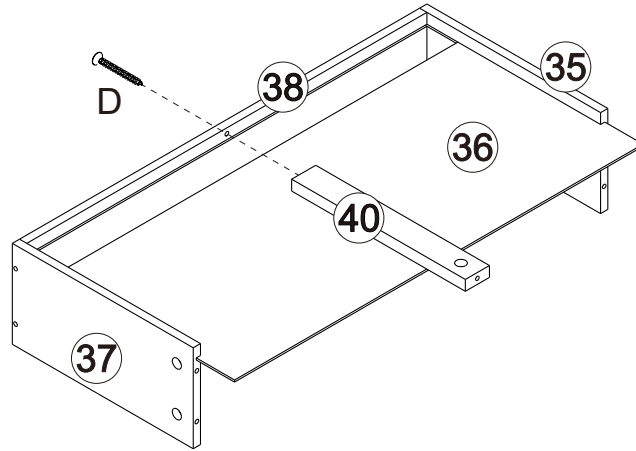
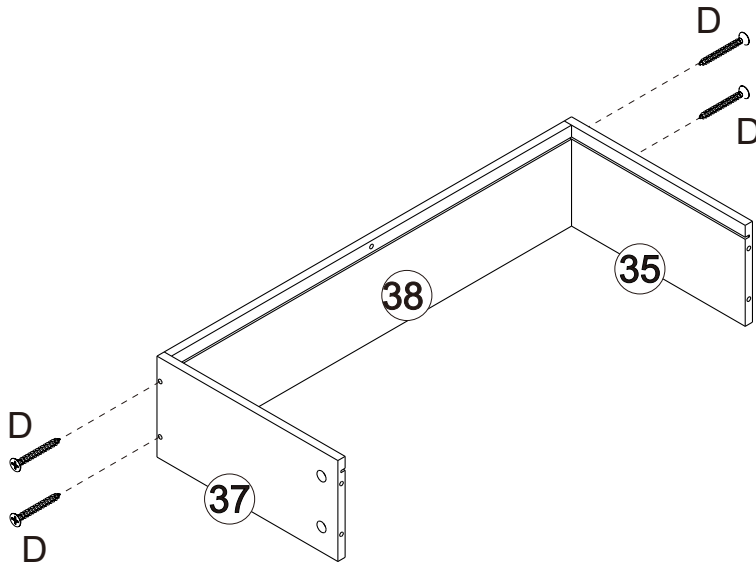
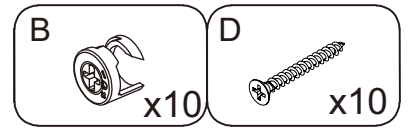
STEP 26



STEP 27

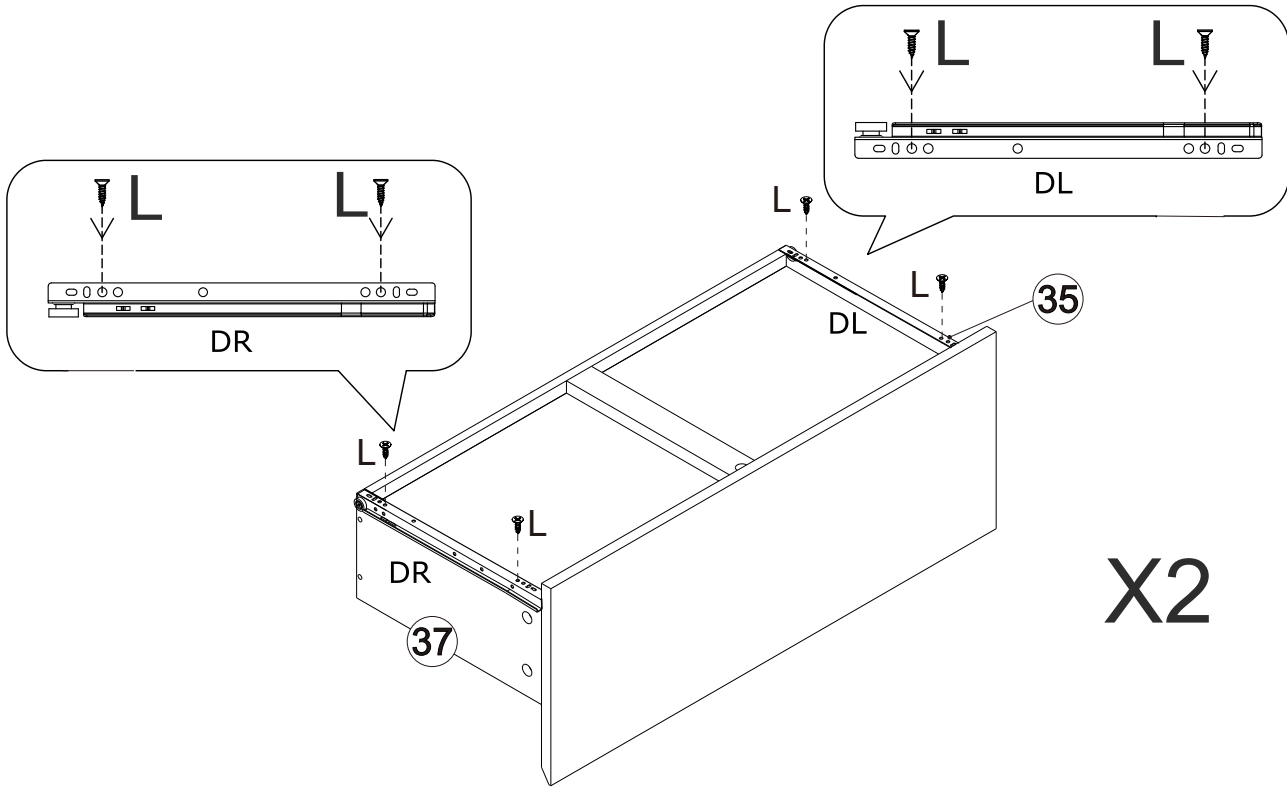
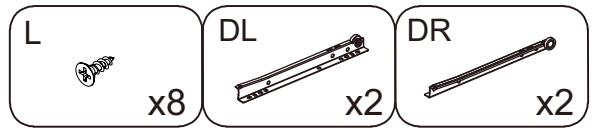


STEP 28

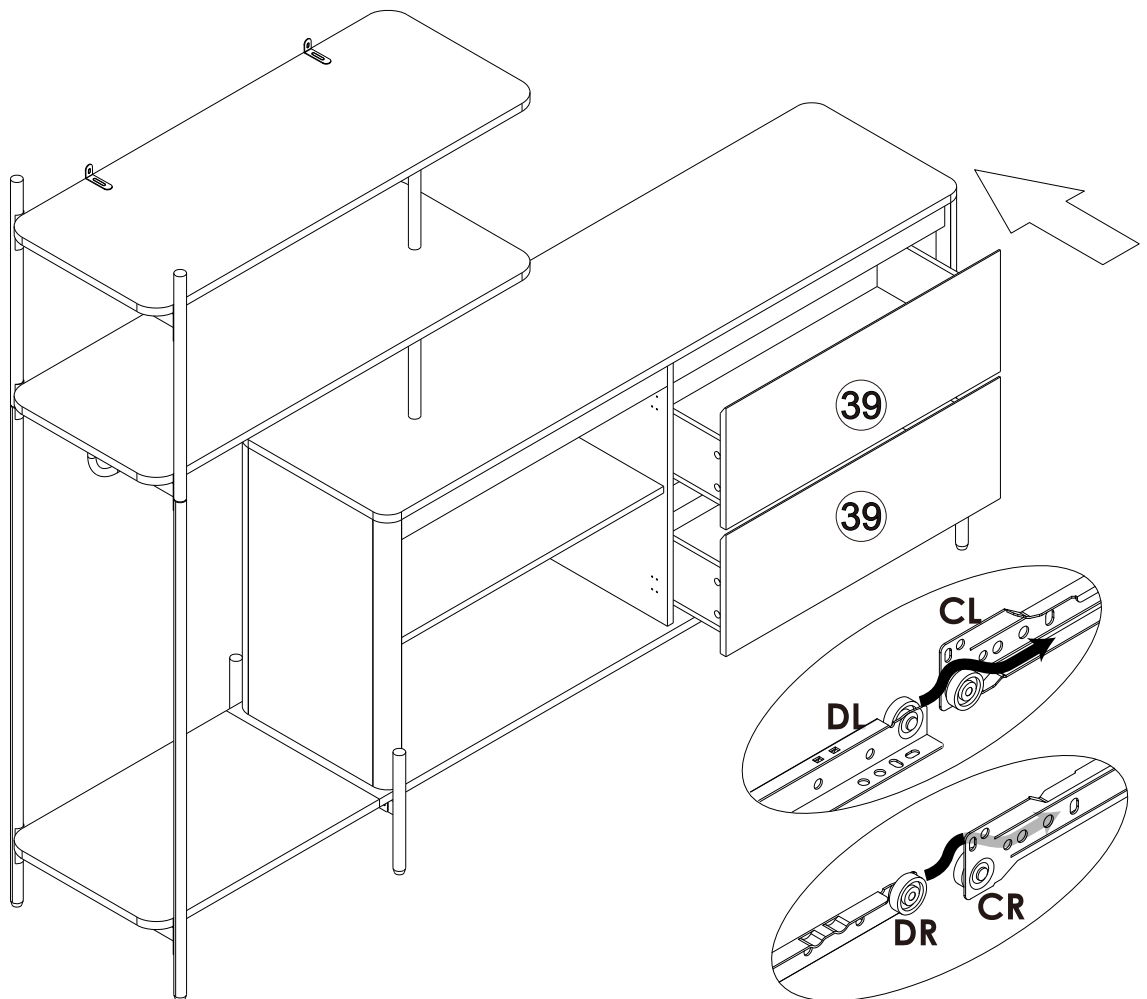


X2

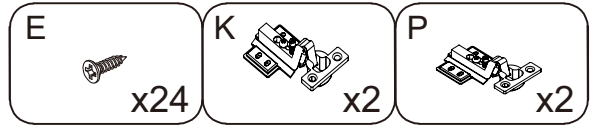
STEP 29



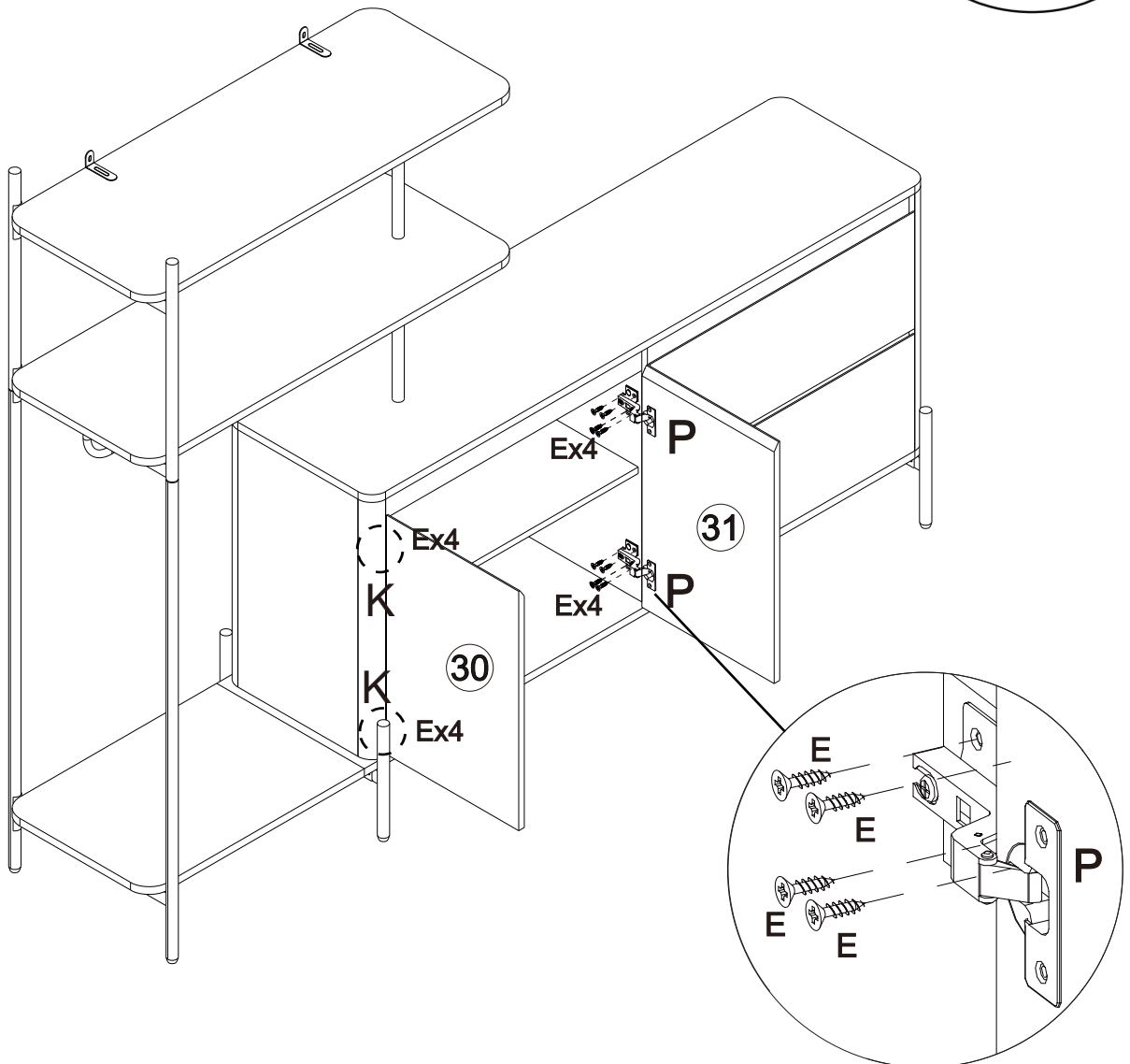
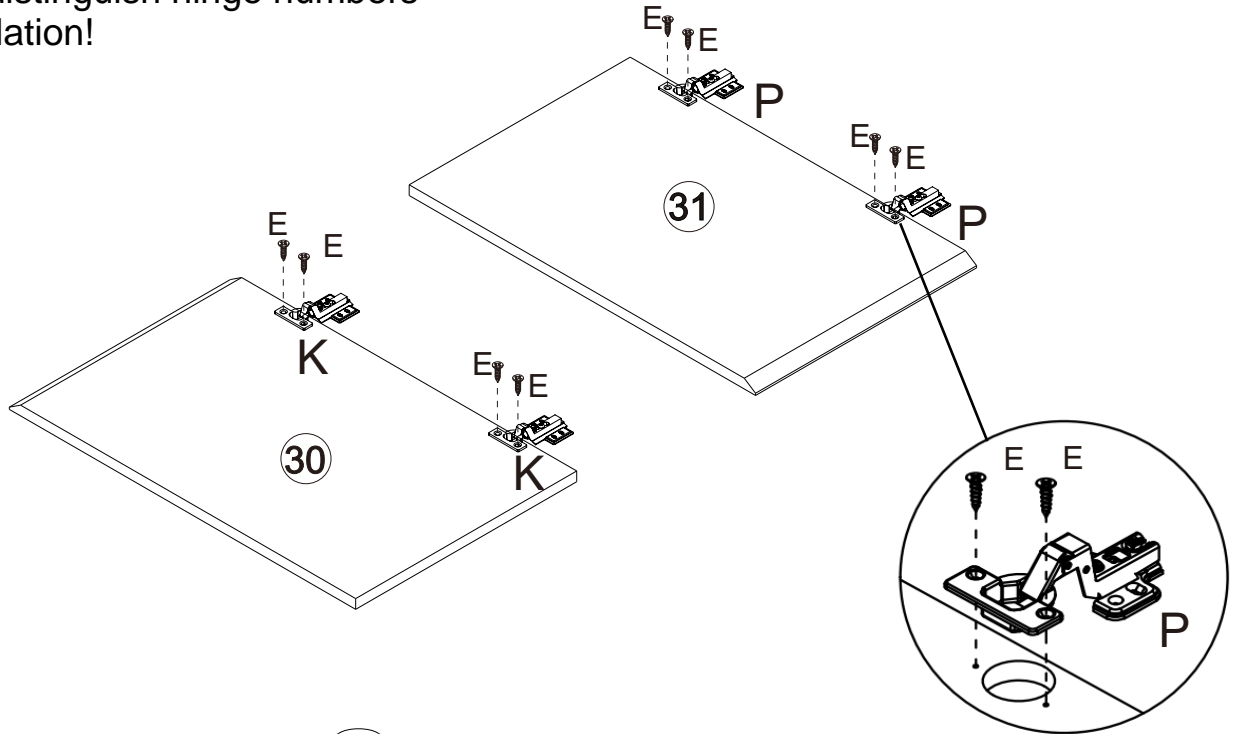
STEP 30

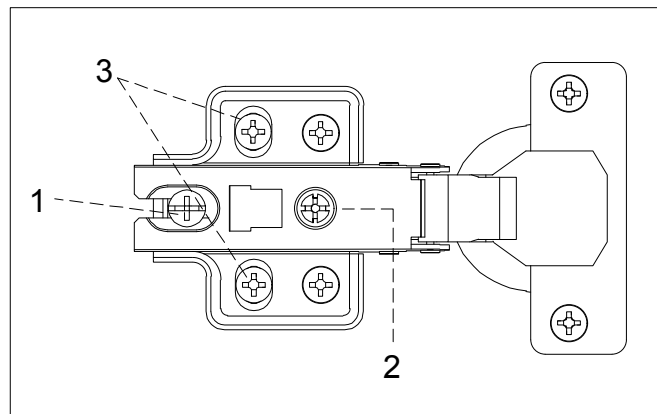


STEP 31



Need to distinguish hinge numbers for installation!



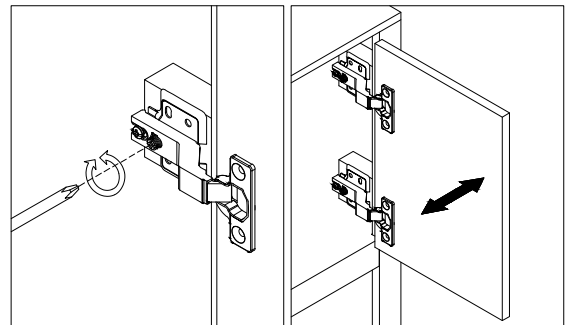


Hinge Adjustment Guide

Three-way adjustable hinge for perfectly aligned doors

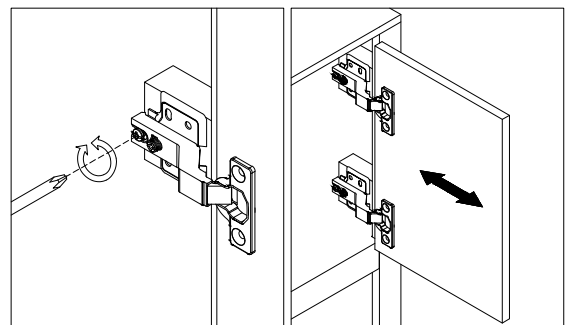
Sideways/Gap Adjustment

Turning the screw "2" on the hinges of each door allows you to adjust the door to the left or right by a few millimeters.



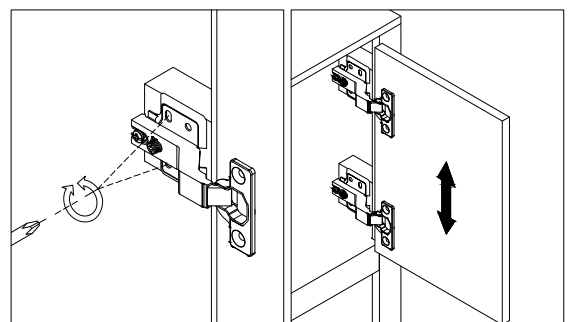
Forward/Backward Alignment

Loosen screw "1" to adjust the door forward or backward. After adjustment, tighten screw "1".

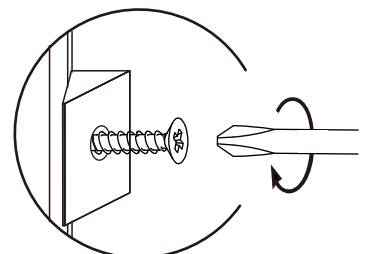
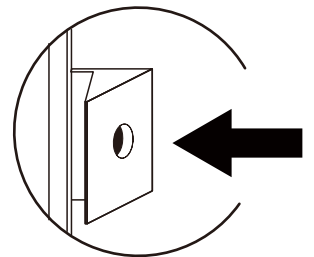
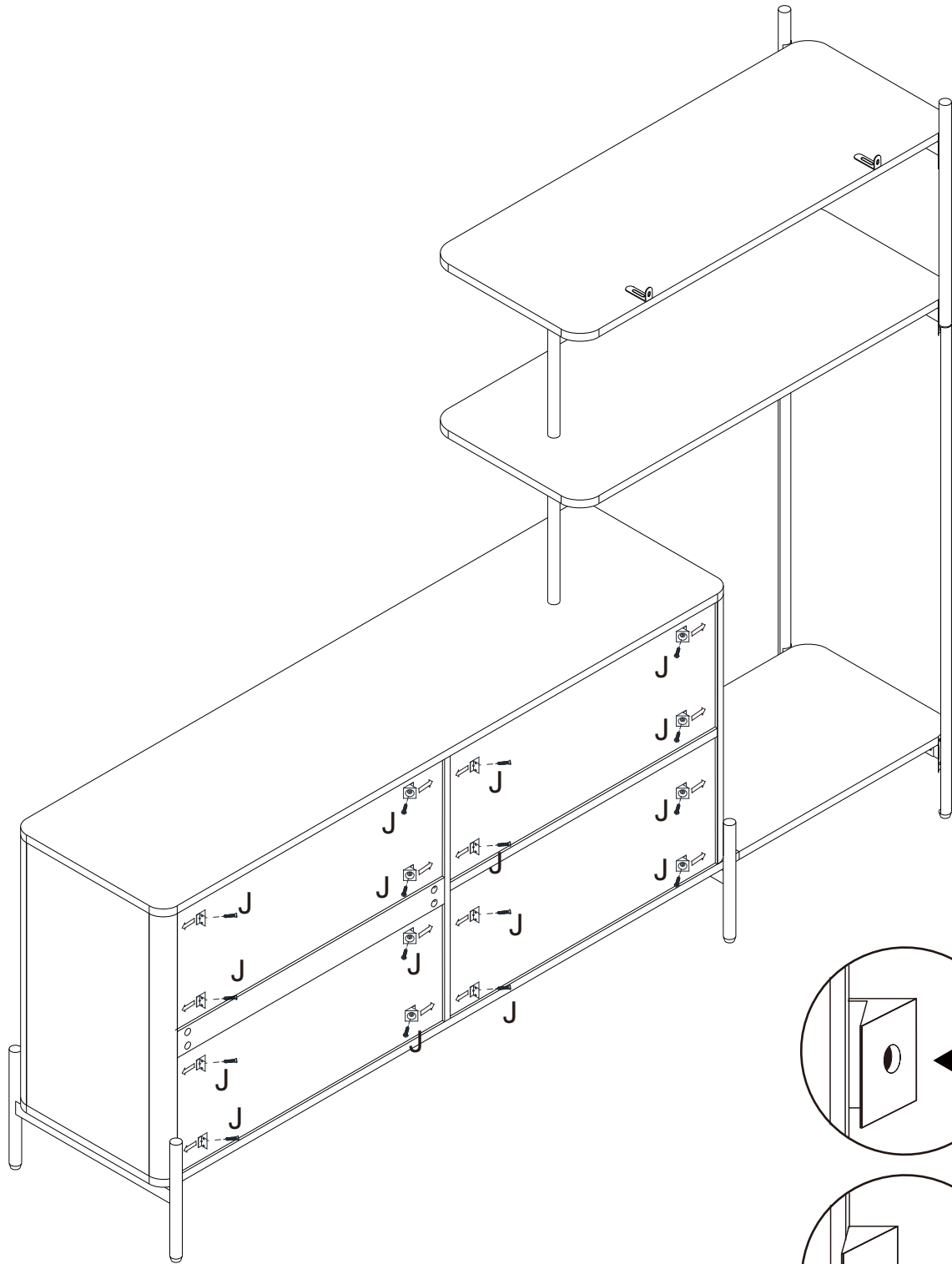
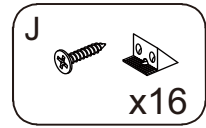


Vertical Height Adjustment

Loosen screw "3" to adjust the door up or down. After adjustment, hold the door panel and tighten screw "3".



STEP 33



STEP 34

