

Instruction Sheet

SAVE ALL PACKAGING MATERIALS UNTIL PRODUCT IS FULLY ASSEMBLED. HARDWARE AND SMALL PIECES MAY NOT BE SEEN AND BE ACCIDENTALLY DISCARDED WITH PACKAGING MATERIALS.

FIGURE 1

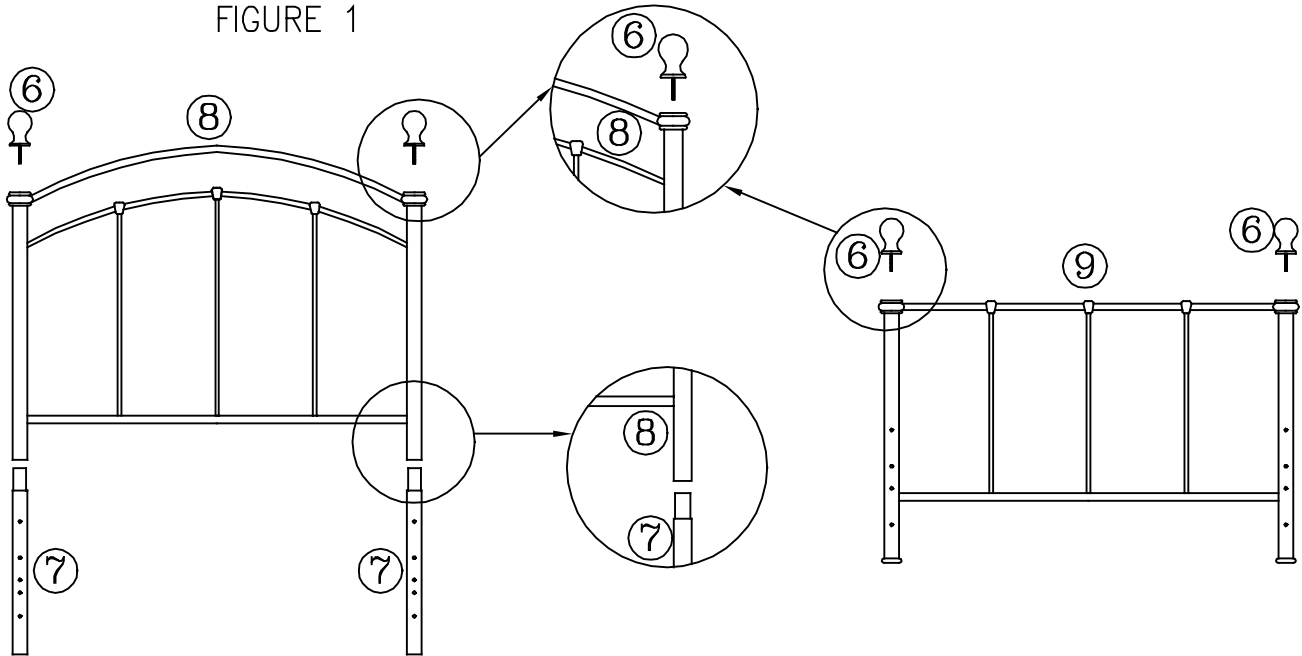
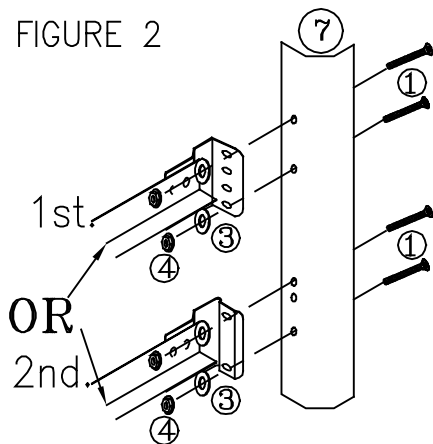


FIGURE 2



Step 1

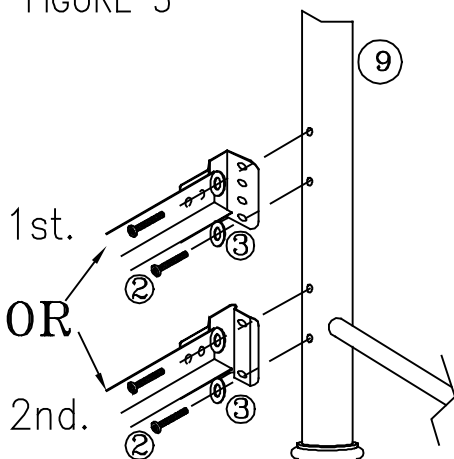
- Align top reduction of extension legs (7) with bottom of headboard posts. (See Figure 1) Make sure the 3 holes on extension legs are perpendicular to headboard panel.
- Now carefully insert extension legs (7) into bottom of headboard (8) posts.
- Screw in finials (6) on top of headboard (8) and footboard (9) posts. (See Figure 1)

Step 2

- Note: YOU HAVE TWO ASSEMBLY OPTIONS WITH A TWIN SIZE:
1st. USE UPPER ASSEMBLY IF USING AS A TRUNDLE UNIT WITH MATTRESS ONLY.
2nd. USE LOWER FRAME ASSEMBLY IF USING BOX SPRING & MATTRESS.

- Place headboard and frame in desire location in room.
- Place 2 screws (1) through holes located in extension leg (7). (See Fig. 2)
- Align bed frame bracket over screws.
- Place a washer (3) and then a nut (4) on each screw. Hand-tighten, DO NOT TIGHTEN screws all the way.
- Repeat on other side of headboard.
- Tighten all screws securely using the Allen wrench (5).

FIGURE 3



Step 3

- Position footboard panel (9) and align holes in the post with holes in the frame bracket. (See Fig. 3)
Note: Use the same hole position that you used for the headboard attachment of to the frame or link spring.
- Place washer (3) on each screw (2). Insert through bracket and into footboard post. (See Fig. 3) Hand-tighten, DO NOT TIGHTEN screws all the way.
- Repeat on other side of footboard panel.
- Tighten all screws securely using the Allen wrench (5).