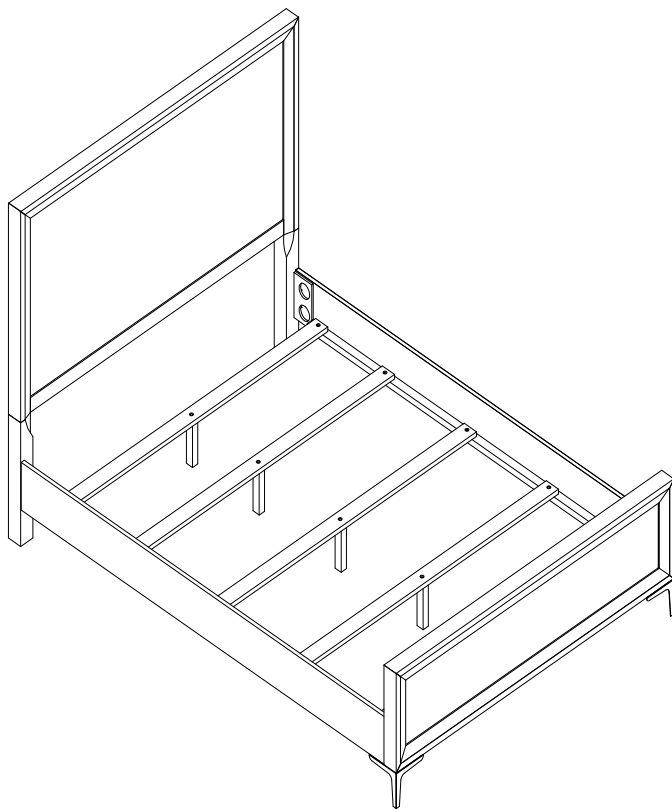
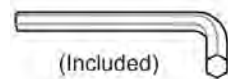


ASSEMBLY INSTRUCTIONS



TOOLS REQUIRED



(Included)

Allen Wrench



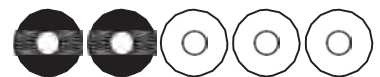
Phillips
Screwdriver

(Not Included)



2 - People
Recommended

ASSEMBLY RATING



EASY —————> DIFFICULT

The Assembly Rating is a 5-point system showing the level of effort needed to assemble a specific product.



CHECK BEFORE STARTING



Are you missing anything?

Double-check all parts, hardware and accessories listed are all accounted for.



Check out our Quick Tips!

We recommend reviewing the pre-assembly handouts. Even experts need a refresher now and then!



Should we send any replacements?

Are there any irregularities or flaws in the parts? We can send replacements!



Prep Time!

Please review the assembly instructions and all diagrams prior to assembling.

PRE ASSEMBLY INTRODUCTION

We understand building ready-to-assemble furniture can be a challenging experience for some. To help avoid confusion, we have provided some helpful tips that may speed up the process.



Teamwork

ALWAYS have at least two people to help with transporting and assembling the product to avoid potential injury and/or damage.



Suitable Location

Assembling near the area of the intended location is highly recommended.



Sufficient Space

Make sure you have enough space to move around during the assembly.



Avoid Scratches

Use cardboard, blankets or a carpeted area while assembling furniture to prevent to prevent scratches and damages.



Flat Surface

Make sure the furniture rests on a flat and level surface with each leg evenly touching the floor.

ASSEMBLY AND CARE ADVICE



FAILURE TO FOLLOW THE GUIDELINES BELOW MAY RESULT IN INJURY AND/OR PROPERTY DAMAGE.



Position each part correctly and insert screws or bolts into their respective holes.



Turn clockwise to tighten and only tighten when step is completed or when instructed to do so.



Use the appropriate hand tools or power tools for assembly. Select steps, such as tightening screws and/or bolts, may require hand tools to avoid causing damage during assembly.



Save the instructions and store any supplied tools for later maintenance.



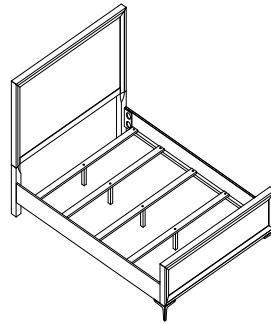
After two weeks, check and tighten any loose hardware and repeat again every six months thereafter.

IT IS THE USER'S RESPONSIBILITY TO MAINTAIN THE FURNITURE. THE HARDWARE MAY LOOSEN OVER TIME AND MAY CAUSE THE FURNITURE TO BE WOBBLY AND UNABLE TO SUPPORT ITS INTENDED WEIGHT CAPACITY. THIS MAY LEAD TO COLLAPSE AND MAY CAUSE SERIOUS INJURY.

QUEEN BED

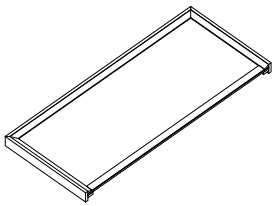


- Please keep instructions for future reference.
- Check the quantity and irregularity of parts and hardware before you start.



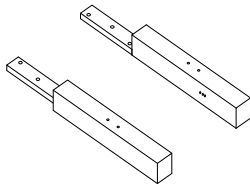
PARTS

①



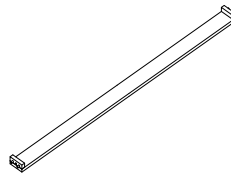
HEADBOARD
1pc

②



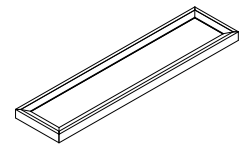
HEADBOARD LEGS L/R
2pcs

③



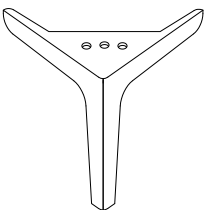
STRETCHER
1pc

④



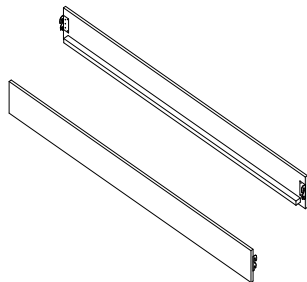
FOOTBOARD
1pc

⑤



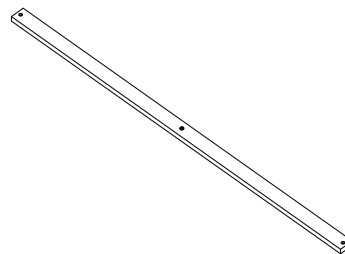
METAL LEGS
2pcs

⑥



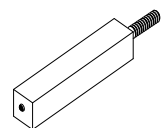
SIDE RAILS
2pcs

⑦



SLATS
5pcs

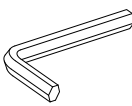
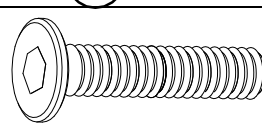

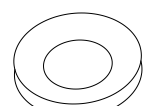
⑧



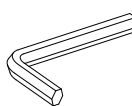
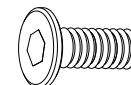

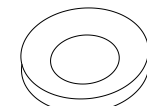
SUPPORT SLATS
5pcs

HARDWARE

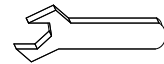
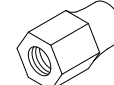

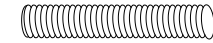
1 .ASSEMBLY HEADBOARD

(A)	(B)	(C)	(D)
			
ALLEN WRENCH 1pc	BOLT 5/16" 1 3/4" 8pcs	LOCKWASHER 5/16" 8pcs	FLAT WASHER 5/16" x 19mm 8pcs

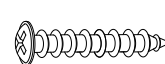
2 .ASSEMBLY FOOTBOARD

(E)	(F)	(G)	(H)
			
ALLEN WRENCH 1pc	BOLT 5/16" 1 " 4pcs	LOCKWASHER 5/16" 4pcs	FLAT WASHER 5/16" x 19mm 4pcs

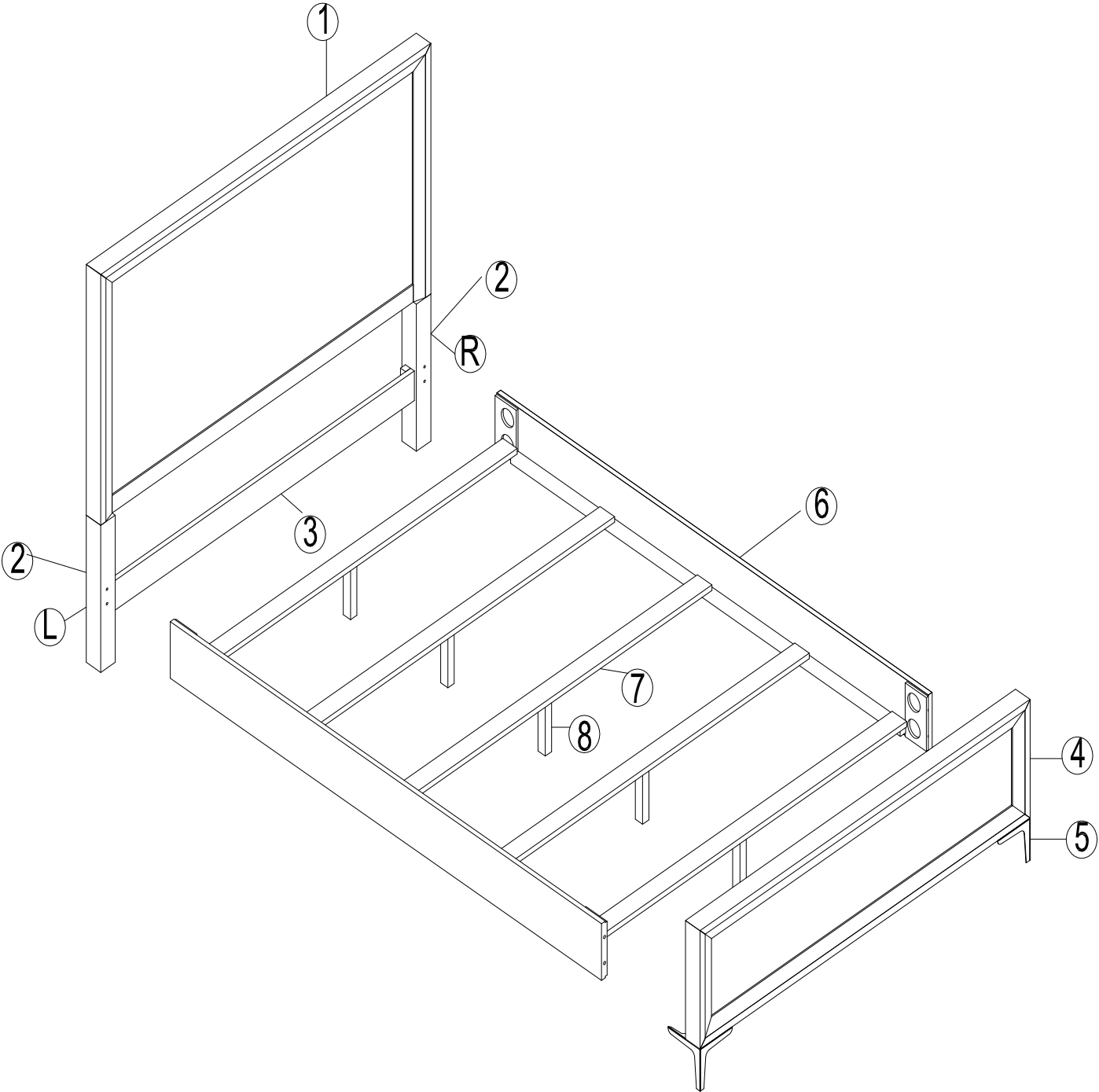
3 .ASSEMBLY SIDE RAILS

(I)	(J)	(K)	(L)
			
OPEN WRENCH 1pc	NUT 5/16" 8pcs	CURVED WASHER 5/16" 8pcs	BOLT 5/16" x 3" 8pcs

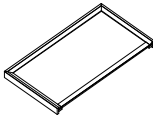
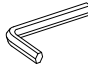
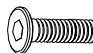
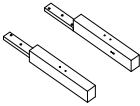


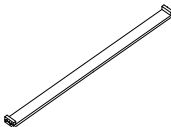
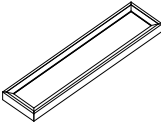
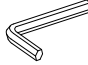
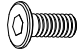
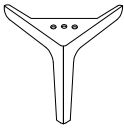


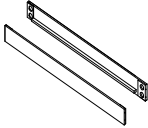
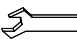

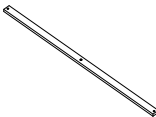


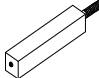
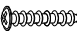
(M)


WOOD SCREWS 10pcs

EXPLODED VIEW



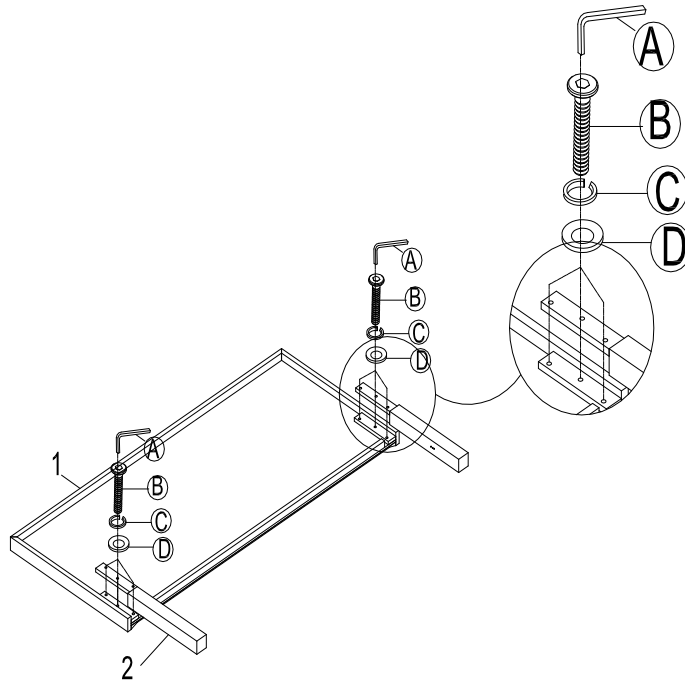
packed in 3 cases

Carton	Disignation	Part	Part	Hardware
	Headboard	# 1		 # A x 1pc  # B x 8pcs
	Headboard legs L/R	# 2		 # C x 8pcs  # D x 8pcs
	Stretcher	# 3		
	Footboard	# 4		 # E x 1pc  # F x 4pcs
	Metal legs	# 5		 # G x 4pcs  # H x 4pcs
	Side rails	# 6		 # I x 1pc  # J x 8pcs
	Slats	# 7		 # K x 8pcs  # L x 8pcs
	Support Slats	# 8		 # M x 10pcs

ASSEMBLY INSTRUCTIONS

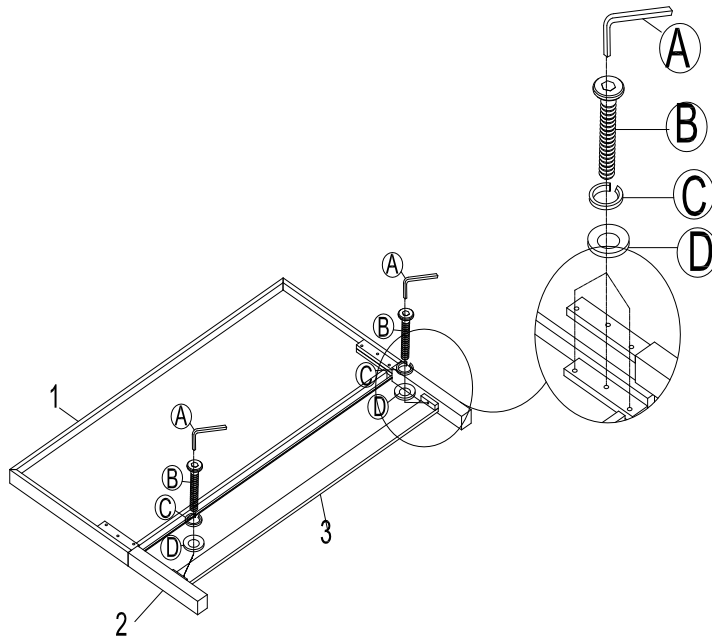
- 1 . Part #1 x 1pc
Part 2# x 2pcs
Hardware # A x 1pc
Hardware # B x 6pcs
Hardware # C x 6pcs
Hardware # D x 6pcs

Attach the Headboard Legs (#2) to the Headboard (#1). Secure by using Bolt (#B) with Lock Washer (#C) and Flat washer (#D) Allen wrench(#A).



- 2 . Part #1 x 1pc
Part 2# x 2pcs
Part 3# x 1 pcs
Hardware # A x 1pc
Hardware # B x 2pcs
Hardware # C x 2pcs
Hardware # D x 2pcs

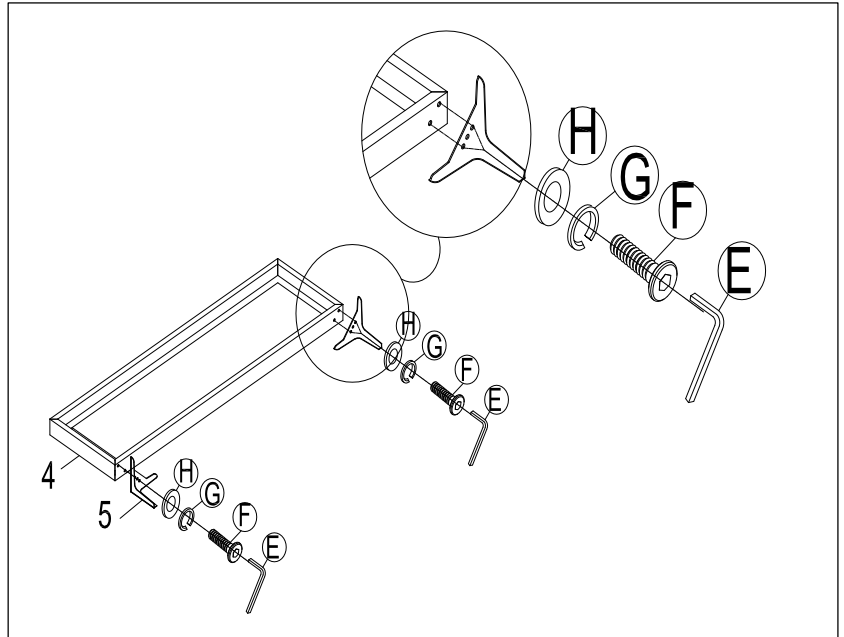
Attach the Stretcher (#3) to the Legs (#2). Secure by using Bolt (#B) with Lock Washer (#C) and Flat washer (#D) Allen wrench(#A).



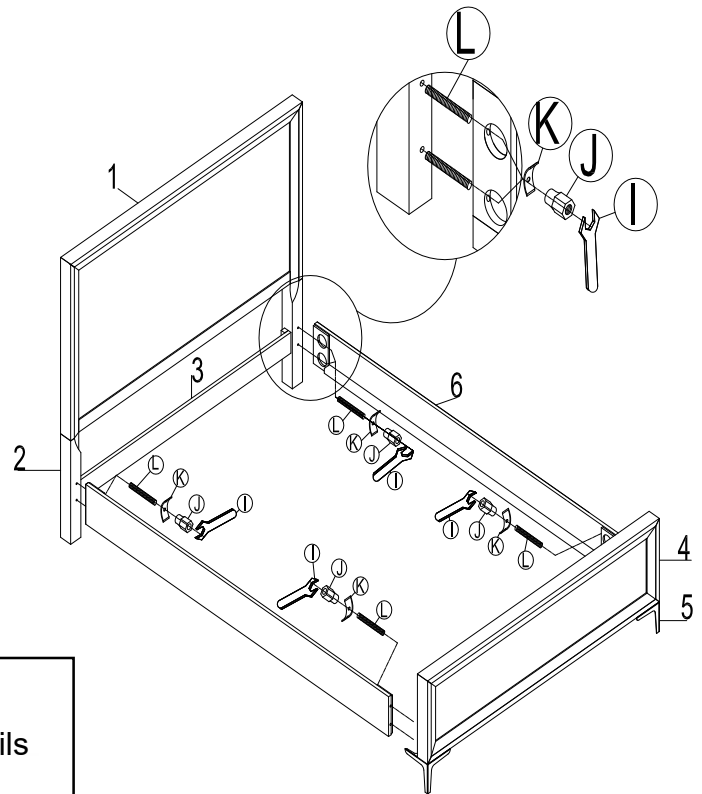
ASSEMBLY INSTRUCTIONS

- 3. Part # 4 x 1pc
- Part # 5 x 2pcs
- Hardware # E x 1pc
- Hardware # F x 4pcs
- Hardware # G x 4pcs
- Hardware # H x 4pcs

Attach the Metal Legs (#5) to the Footboard (#4). Secure by using Bolt (#F) with Lock Washer (#G) and Flat washer (#H). Allen wrench(#E).



- 4 .Headboard x 1pc
- Footboard x 1pc
- Part # 6 x 2pcs
- Hardware # I x 1pc
- Hardware # J x 8pcs
- Hardware # K x 8pcs
- Hardware # L x 8pcs

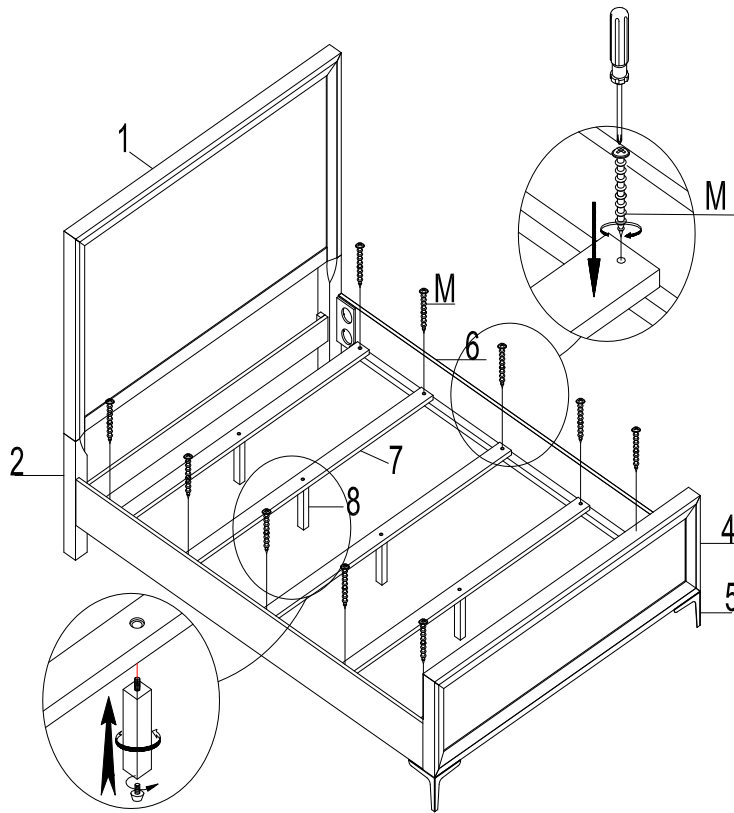


Screw the Bolt (L) into HB & FB. Align the bolts with the holes in the end of side rails and attach the side rails to HB & FB using half moon washers (F) and nuts (G).Then use a hex wrench (I) to tighten all the nuts.

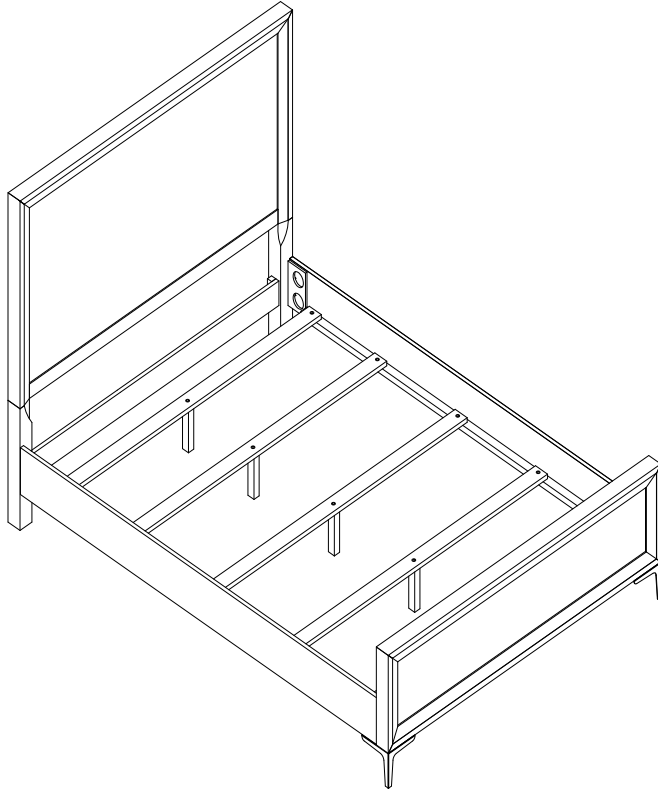
ASSEMBLY INSTRUCTIONS

- 4 .Headboard x 1pc
- Footboard x 1pc
- Part # 6 x 2pcs
- Part # 7 x 5pcs
- Part # 8 x 5pcs
- Hardware # M x 10pcs

Attach Support Slat (#8) to the Slat (#7) Rotating tightly and attach Slats(#7) to the Side rails (6) using wood screws (#M).



ASSEMBLY INSTRUCTIONS



ASSEMBLY COMPLETED



Please ensure the furniture rests on an even and flat surface. If the product wobbles or feels loose, double-check all bolts and/or screws are properly tightened and secured.



Keep this handy!

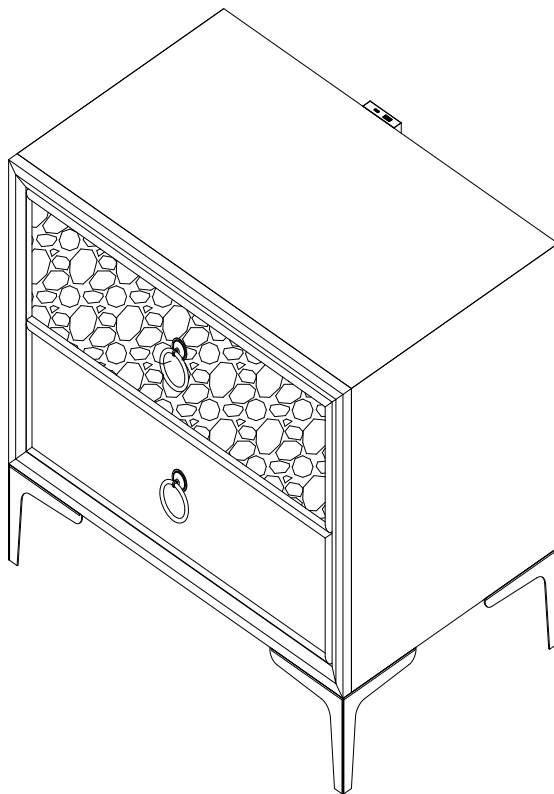
Please retain this instruction manual and any order-related information for future reference.



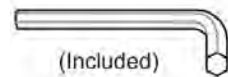
Lift, don't drag!

To avoid damage to product please always LIFT the product when transporting or adjusting the placement.

ASSEMBLY INSTRUCTIONS



TOOLS REQUIRED



(Included)

Allen Wrench



Phillips
Screwdriver

(Not Included)



2 - People
Recommended

ASSEMBLY RATING



EASY —————> DIFFICULT

The Assembly Rating is a 5-point system showing the level of effort needed to assemble a specific product.



CHECK BEFORE STARTING

Are you missing anything?

Double-check all parts, hardware and accessories listed are all accounted for.

Check out our Quick Tips!

We recommend reviewing the pre-assembly handouts. Even experts need a refresher now and then!

Should we send any replacements?

Are there any irregularities or flaws in the parts? We can send replacements!

Prep Time!

Please review the assembly instructions and all diagrams prior to assembling.

PRE ASSEMBLY INTRODUCTION

We understand building ready-to-assemble furniture can be a challenging experience for some. To help avoid confusion, we have provided some helpful tips that may speed up the process.



Teamwork

ALWAYS have at least two people to help with transporting and assembling the product to avoid potential injury and/or damage.



Suitable Location

Assembling near the area of the intended location is highly recommended.



Sufficient Space

Make sure you have enough space to move around during the assembly.



Avoid Scratches

Use cardboard, blankets or a carpeted area while assembling furniture to prevent to prevent scratches and damages.



Flat Surface

Make sure the furniture rests on a flat and level surface with each leg evenly touching the floor.

ASSEMBLY AND CARE ADVICE



FAILURE TO FOLLOW THE GUIDELINES BELOW MAY RESULT IN INJURY AND/OR PROPERTY DAMAGE.



Position each part correctly and insert screws or bolts into their respective holes.



Turn clockwise to tighten and only tighten when step is completed or when instructed to do so.



Use the appropriate hand tools or power tools for assembly. Select steps, such as tightening screws and/or bolts, may require hand tools to avoid causing damage during assembly.



Save the instructions and store any supplied tools for later maintenance.



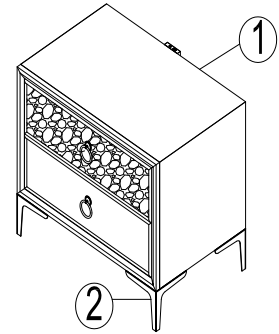
After two weeks, check and tighten any loose hardware and repeat again every six months thereafter.

IT IS THE USER'S RESPONSIBILITY TO MAINTAIN THE FURNITURE. THE HARDWARE MAY LOOSEN OVER TIME AND MAY CAUSE THE FURNITURE TO BE WOBBLY AND UNABLE TO SUPPORT ITS INTENDED WEIGHT CAPACITY. THIS MAY LEAD TO COLLAPSE AND MAY CAUSE SERIOUS INJURY.

NIGHTSTAND W / USB A&C

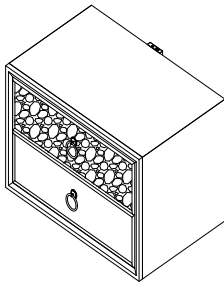


- Please keep instructions for future reference.
- Check the quantity and irregularity of parts and hardware before you start.



PARTS

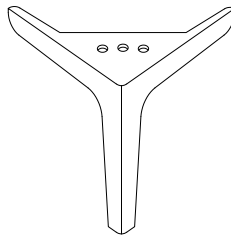
①



NIGHTSTAND

1 pc.

②



METAL LEGS

4pcs

HARDWARE

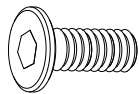
Ⓐ



ALLEN WRENCH

1pc

Ⓑ



BOLT Ø 5/16" x 1"

8pcs

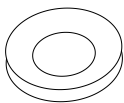
Ⓒ



LOCK WASHER Ø5/16"

8pcs

Ⓓ



F LAT WASHER Ø5/16" x 19MM

8pcs

Ⓔ

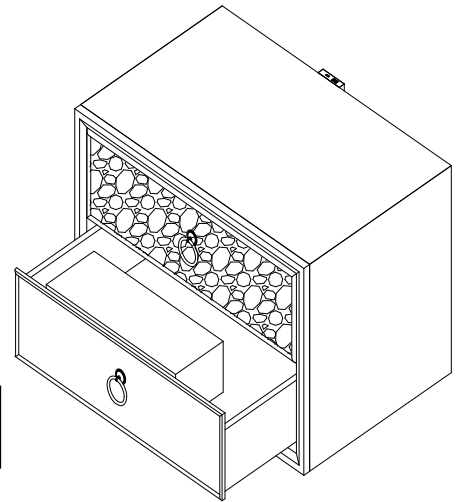


ANTITIP KIT

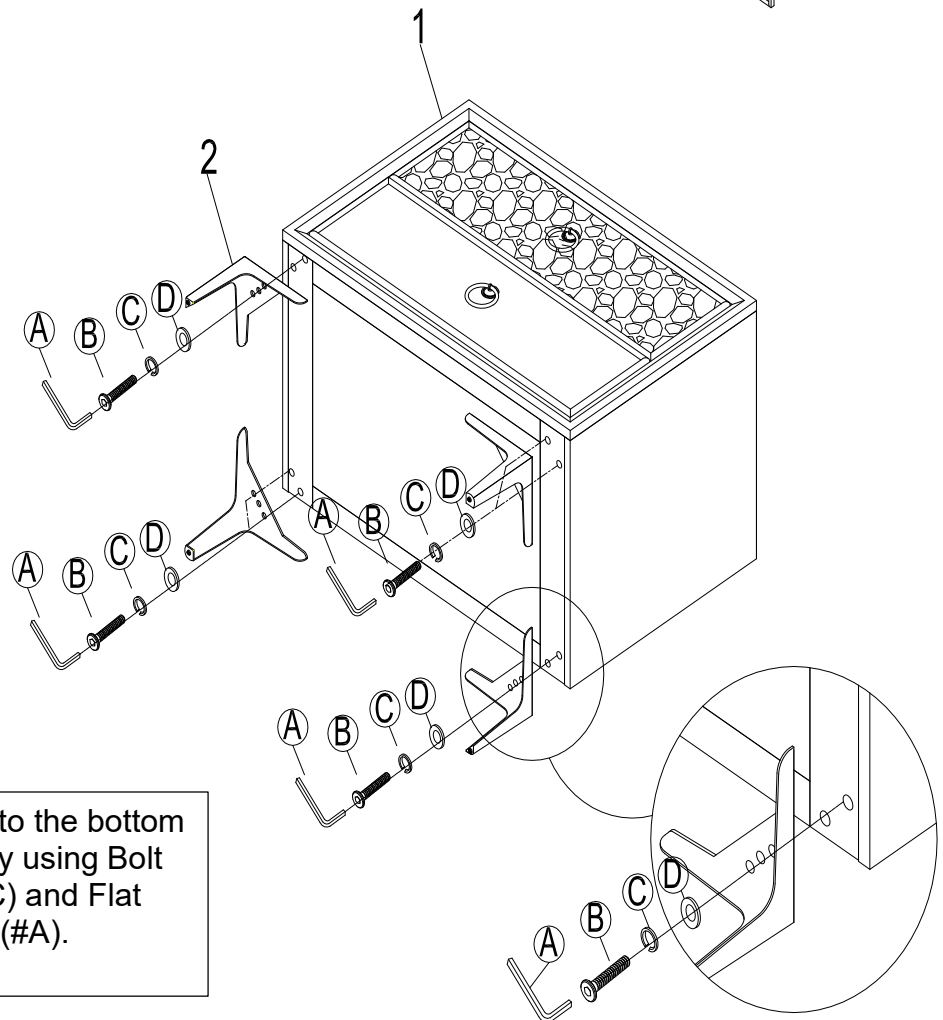
1pc

ASSEMBLY INSTRUCTIONS

- 1 . Part #1 x 1pc
- Part 2# x 4pcs
- Hardware # A x 1pc
- Hardware # B x 8pcs
- Hardware # C x 8pcs
- Hardware # D x 8pcs



Take the leg box out of the drawer

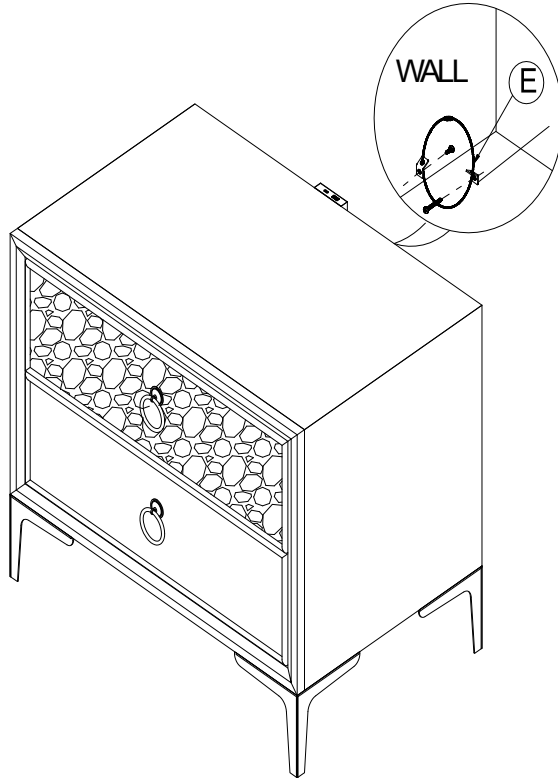


Align the Metal Legs (#2) to the bottom Nightstand (#1). Secure by using Bolt (#B) with Lock Washer(#C) and Flat washer (#D) Allen wrench(#A).

ASSEMBLY INSTRUCTIONS

Use anti-tip kit to secure Nightstand to the wall.

2. Hardware #E x 1set



ASSEMBLY COMPLETED



Please ensure the furniture rests on an even and flat surface. If the product wobbles or feels loose, double-check all bolts and/or screws are properly tightened and secured.

✓ Keep this handy!

Please retain this instruction manual and any order-related information for future reference.

✓ Lift, don't drag!

To avoid damage to product please always LIFT the product when transporting or adjusting the placement.

ASSEMBLY INSTRUCTIONS

Wall Mounting and Fixing



EXPANSION WALL ANCHOR

Our provided expansion wall anchors are only suitable for masonry walls, such as drywall, plaster or concrete, and are best for holding lightweight items or for anti-tip prevention. If you are unsure of the correct wall anchor to use with the product, please request professional guidance. Liability for product damage or failure due to using the incorrect anchors will fall on the installer.



CHECK BEFORE PROCEEDING

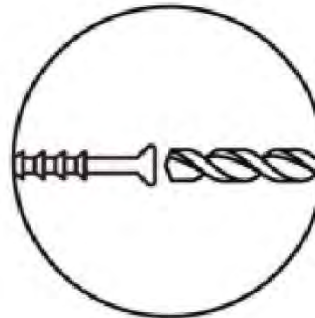
Prior to drilling or hammering, please check for wires or pipes. We recommend using a stud finder to locate a stud, which will offer more appropriate resistance and hold more weight.

QUICK TIPS

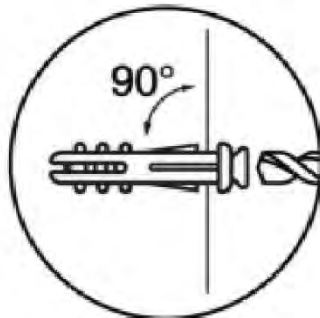
1. If unsure of the proper size, always choose a larger screw and wall anchor.



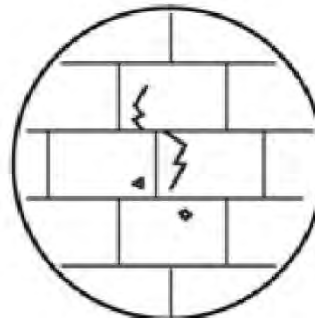
2. Match the drill bit to the wall anchor and hole size.



3. Only drill horizontally. Do not force the drill or enlarge the hole for the wall anchor.



4. Take extra care when drilling into high walls or ceramic tiles. Wall anchors should be a tight fit for the hole. Never use wall anchors in ceilings.

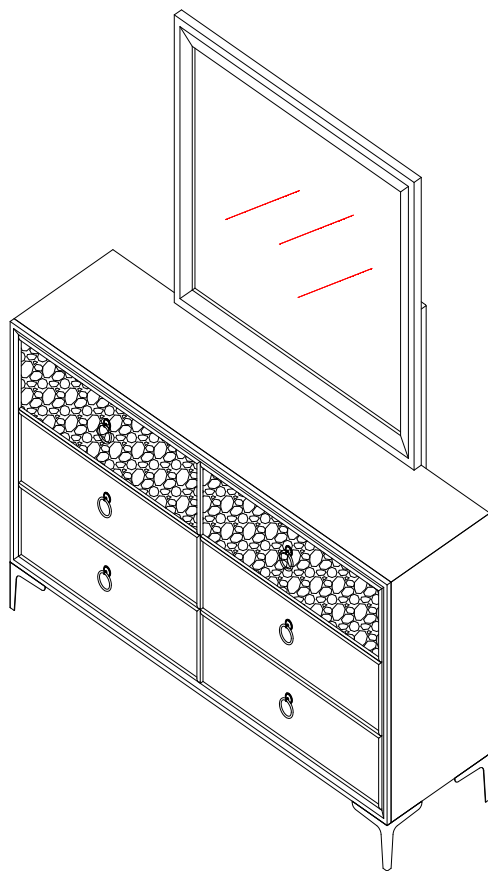


MAINTENANCE

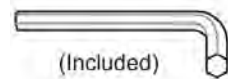


We recommend a yearly check to see if the wall anchor or screw has loosened. If so, please remove the existing wall anchor and screw, and use a new anchor.

ASSEMBLY INSTRUCTIONS



TOOLS REQUIRED



(Included)

Allen Wrench



Phillips
Screwdriver

(Not Included)



2 - People
Recommended

ASSEMBLY RATING



EASY —————> DIFFICULT

The Assembly Rating is a 5-point system showing the level of effort needed to assemble a specific product.



CHECK BEFORE STARTING

Are you missing anything?

Double-check all parts, hardware and accessories listed are all accounted for.

Check out our Quick Tips!

We recommend reviewing the pre-assembly handouts. Even experts need a refresher now and then!

Should we send any replacements?

Are there any irregularities or flaws in the parts? We can send replacements!

Prep Time!

Please review the assembly instructions and all diagrams prior to assembling.

PRE ASSEMBLY INTRODUCTION

We understand building ready-to-assemble furniture can be a challenging experience for some. To help avoid confusion, we have provided some helpful tips that may speed up the process.



Teamwork

ALWAYS have at least two people to help with transporting and assembling the product to avoid potential injury and/or damage.



Suitable Location

Assembling near the area of the intended location is highly recommended.



Sufficient Space

Make sure you have enough space to move around during the assembly.



Avoid Scratches

Use cardboard, blankets or a carpeted area while assembling furniture to prevent to prevent scratches and damages.



Flat Surface

Make sure the furniture rests on a flat and level surface with each leg evenly touching the floor.

ASSEMBLY AND CARE ADVICE



FAILURE TO FOLLOW THE GUIDELINES BELOW MAY RESULT IN INJURY AND/OR PROPERTY DAMAGE.



Position each part correctly and insert screws or bolts into their respective holes.



Turn clockwise to tighten and only tighten when step is completed or when instructed to do so.



Use the appropriate hand tools or power tools for assembly. Select steps, such as tightening screws and/or bolts, may require hand tools to avoid causing damage during assembly.



Save the instructions and store any supplied tools for later maintenance.



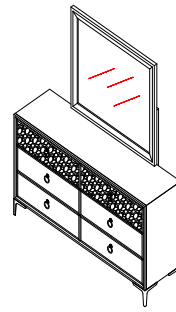
After two weeks, check and tighten any loose hardware and repeat again every six months thereafter.

IT IS THE USER'S RESPONSIBILITY TO MAINTAIN THE FURNITURE. THE HARDWARE MAY LOOSEN OVER TIME AND MAY CAUSE THE FURNITURE TO BE WOBBLY AND UNABLE TO SUPPORT ITS INTENDED WEIGHT CAPACITY. THIS MAY LEAD TO COLLAPSE AND MAY CAUSE SERIOUS INJURY.

DRESSER & MIRROR

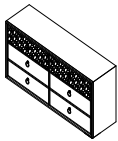


- Please keep instructions for future reference.
- Check the quantity and irregularity of parts and hardware before you start.



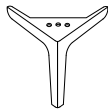
PARTS

①



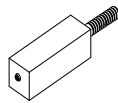
DRESSER
1pc

②



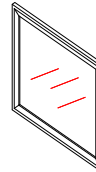
METAL LEGS
4pcs

③



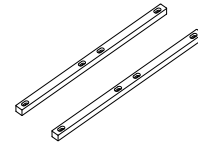
CENTER LEG
1pc

④



MIRROR
1pc

⑤



MIRROR SUPPORT RAILS
2pcs

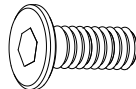
HARDWARE

A



ALLEN WRENCH
1pc

B



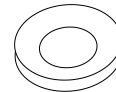
BOLT \varnothing 5/16" x 1"
8pcs

C



LOCK WASHER \varnothing 5/16" _
8pcs

D



FLAT WASHER \varnothing 5/16" x 19MM
8pcs

E



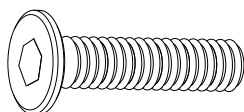
ANTITIP KIT
1pc

F



ALLEN WRENCH
1pc

G



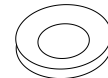
BOLT \varnothing 1/4" x 1 1/2"
8pcs

H



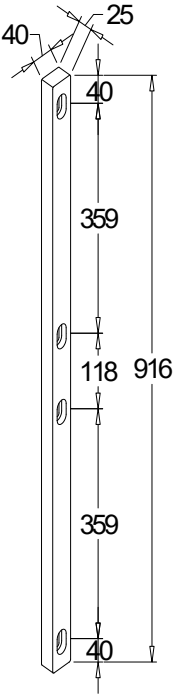
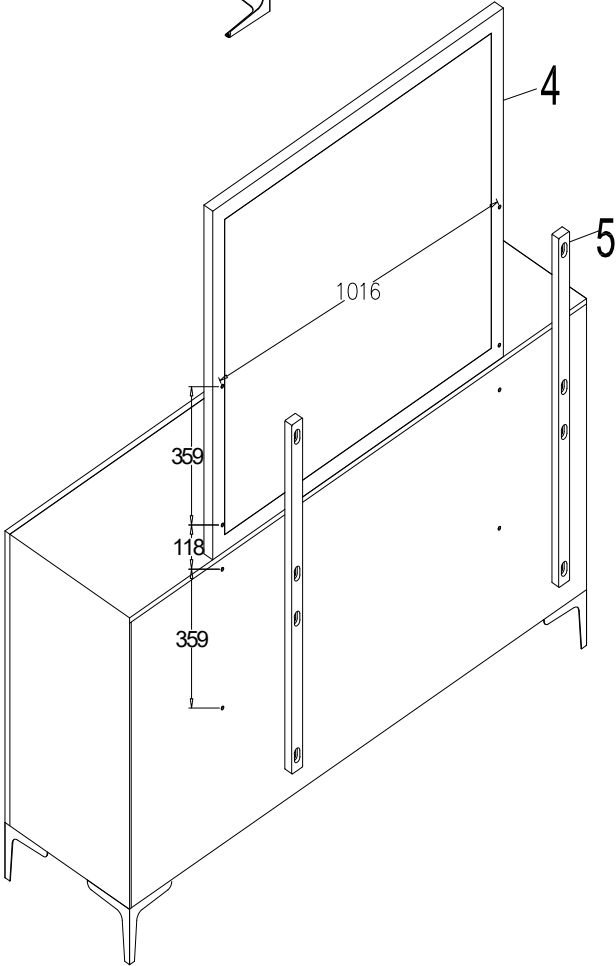
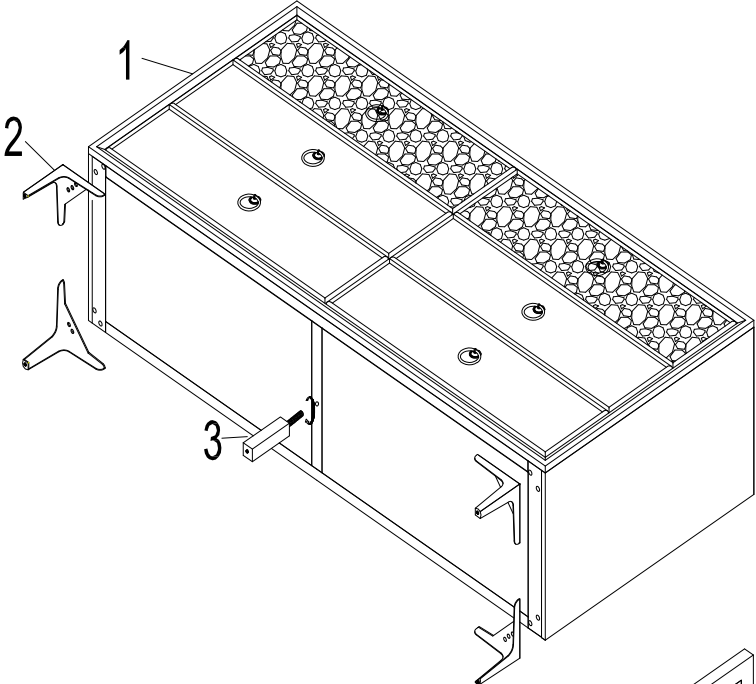
LOCK WASHER \varnothing 1/4" _
8pcs

I

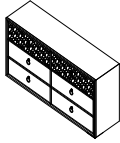

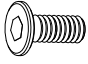

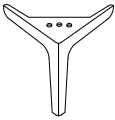


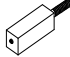
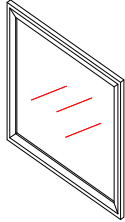

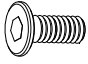
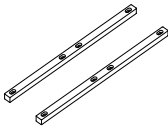




FLAT WASHER \varnothing 1/4" x 19MM
8pcs

EXPLODED VIEW



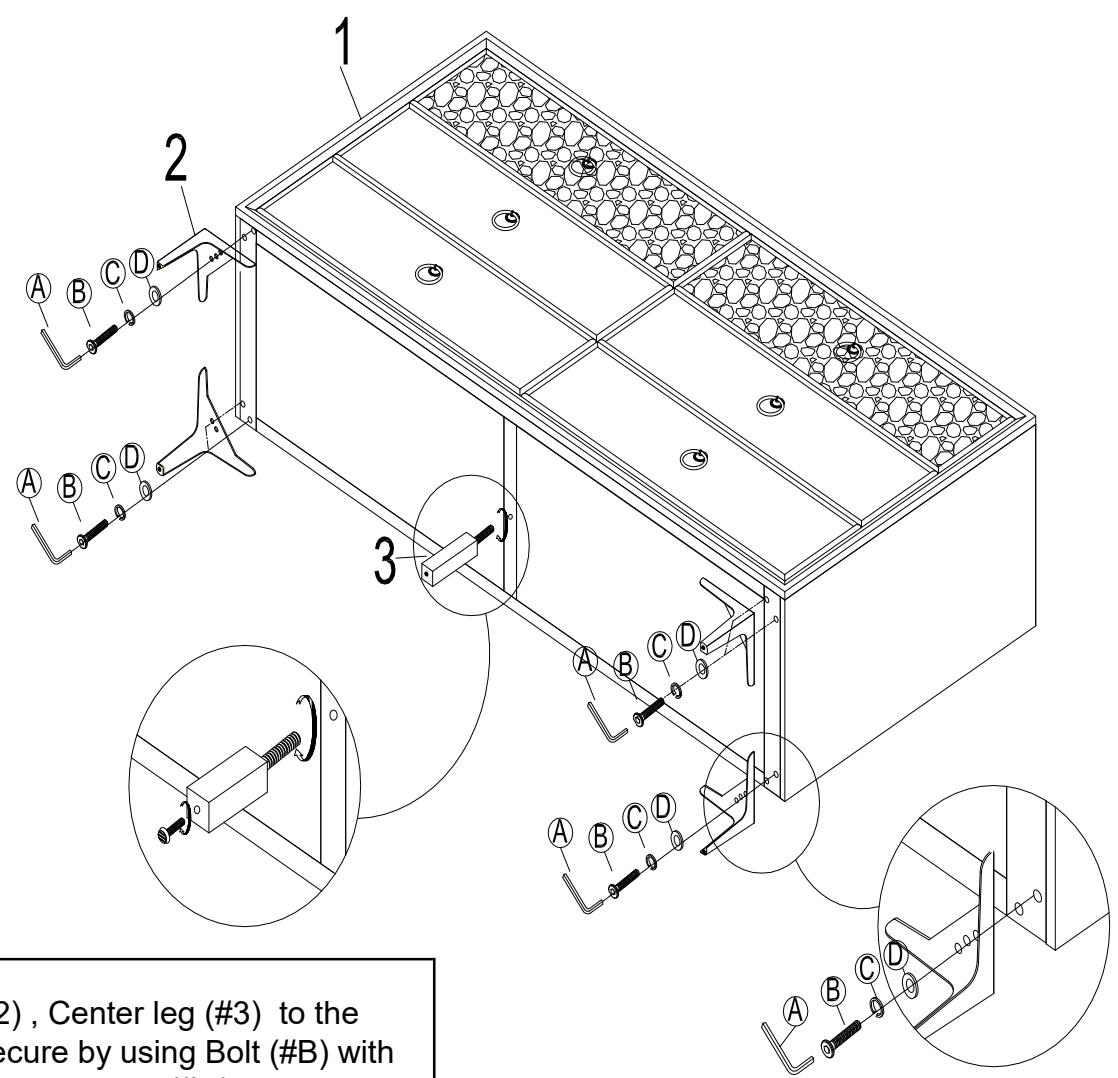
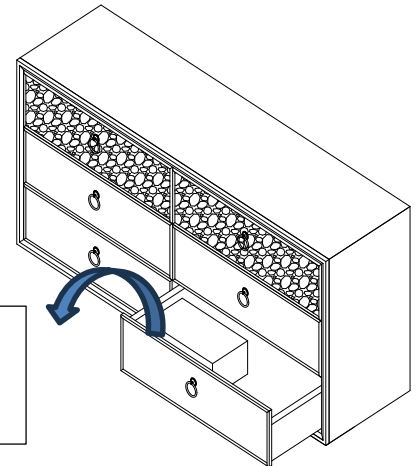
packed in 2 cases

Carton	Disignation	Part		Hardware
	Dresser	# 1		 # A x 1pc  # B x 8pcs  # C x 8pcs
	Metal legs	# 2		 # D x 8pcs  # E x 1pc
	Center leg	# 3		
	Mirror	# 4		 # F x 1pc  # G x 8pcs
	Mirror Support rails	# 5		 # H x 8pcs  # I x 8pcs

ASSEMBLY INSTRUCTIONS

- 1 . Part #1 x 1pc
- Part 2# x 4pcs
- Part 3# x 1pc
- Hardware # A x 1pc
- Hardware # B x 8pcs
- Hardware # C x 8pcs
- Hardware # D x 8pcs

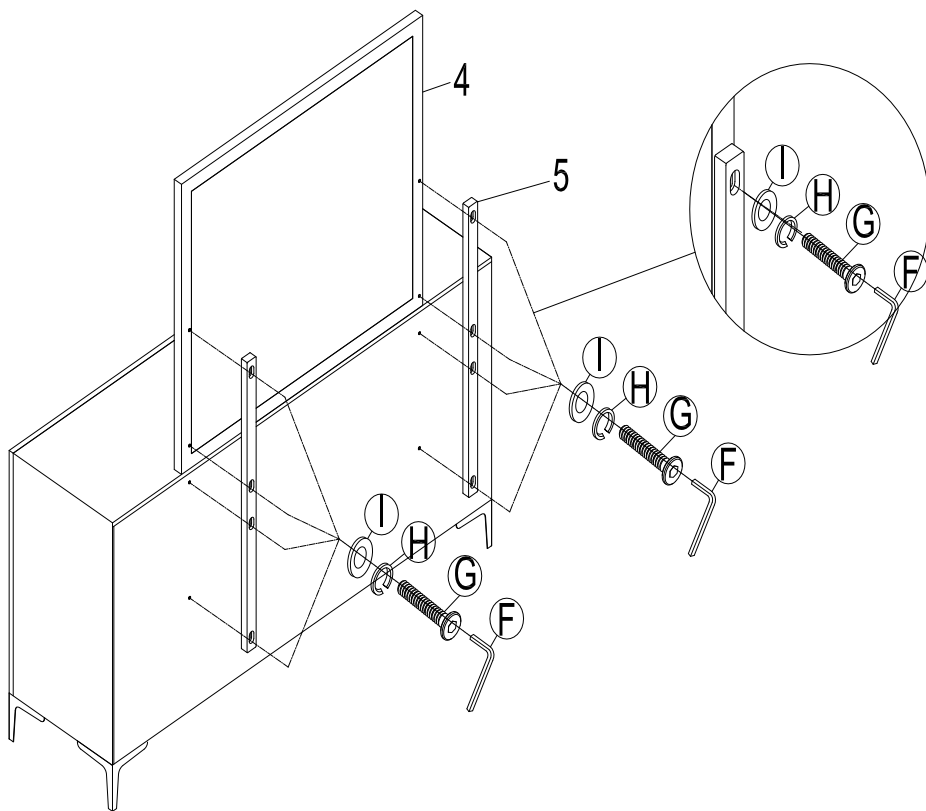
Take the leg box out of the drawer



Align the Metal Legs (#2) , Center leg (#3) to the bottom Dresser (#1). Secure by using Bolt (#B) with Lock Washer (#C) and Flat washer (#D) Allen wrench(#A).

ASSEMBLY INSTRUCTIONS

- 2. Part #1 x 1pc
- Part 2# x 4pcs
- Part 3# x 1pc
- Part 4# x 1pc
- Part 5# x 2pcs
- Hardware # F x 1pc
- Hardware # G x 8pcs
- Hardware # H x 8pcs
- Hardware # I x 8pcs

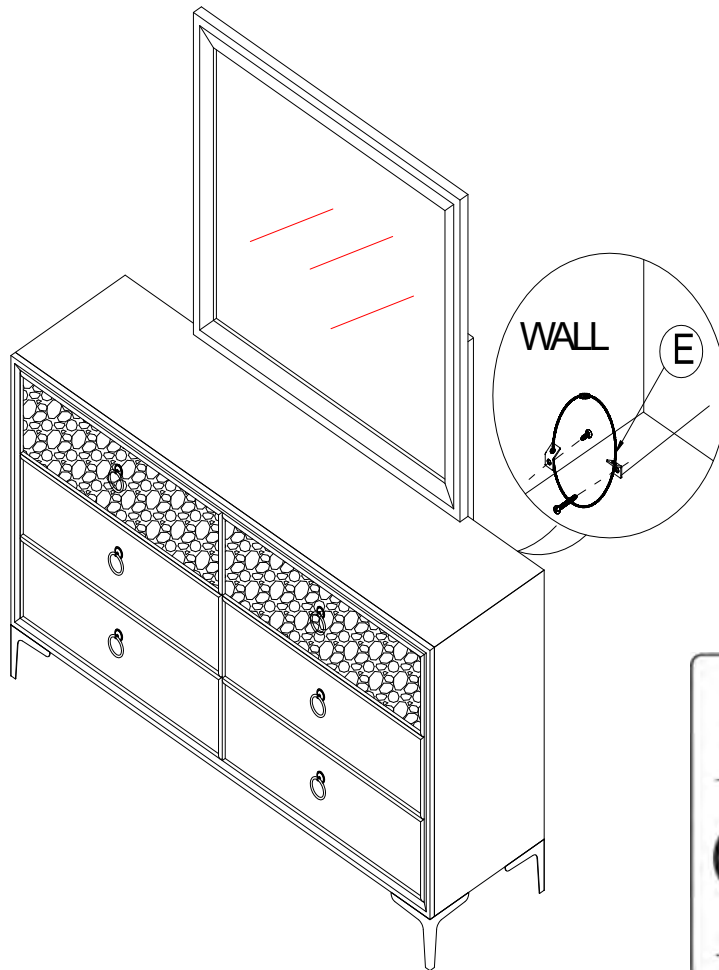


Attach the Mirror(#4)and Mirror Supports Rail (#5) to top Dresser (#1) .
Secure by using Bolt (#G) with Lock Washer (#H) and Flat washer (#I)
Allen wrench(#F).

ASSEMBLY INSTRUCTIONS

3. Hardware # E x 1pc

Use anti-tip kit to secure Dresser to the wall.



ASSEMBLY COMPLETED



Please ensure the furniture rests on an even and flat surface. If the product wobbles or feels loose, double-check all bolts and/or screws are properly tightened and secured.



Keep this handy!

Please retain this instruction manual and any order-related information for future reference.



Lift, don't drag!

To avoid damage to product please always LIFT the product when transporting or adjusting the placement.

ASSEMBLY INSTRUCTIONS

Wall Mounting and Fixing



EXPANSION WALL ANCHOR

Our provided expansion wall anchors are only suitable for masonry walls, such as drywall, plaster or concrete, and are best for holding lightweight items or for anti-tip prevention. If you are unsure of the correct wall anchor to use with the product, please request professional guidance. Liability for product damage or failure due to using the incorrect anchors will fall on the installer.



CHECK BEFORE PROCEEDING

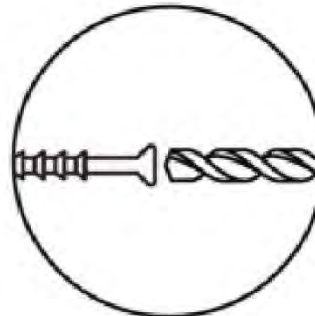
Prior to drilling or hammering, please check for wires or pipes. We recommend using a stud finder to locate a stud, which will offer more appropriate resistance and hold more weight.

QUICK TIPS

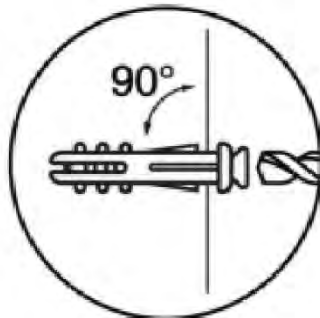
1. If unsure of the proper size, always choose a larger screw and wall anchor.



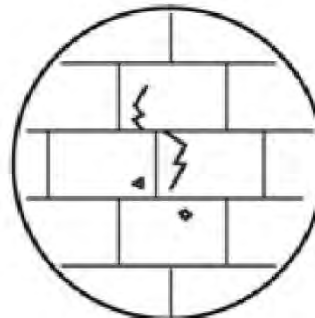
2. Match the drill bit to the wall anchor and hole size.



3. Only drill horizontally. Do not force the drill or enlarge the hole for the wall anchor.



4. Take extra care when drilling into high walls or ceramic tiles. Wall anchors should be a tight fit for the hole. Never use wall anchors in ceilings.

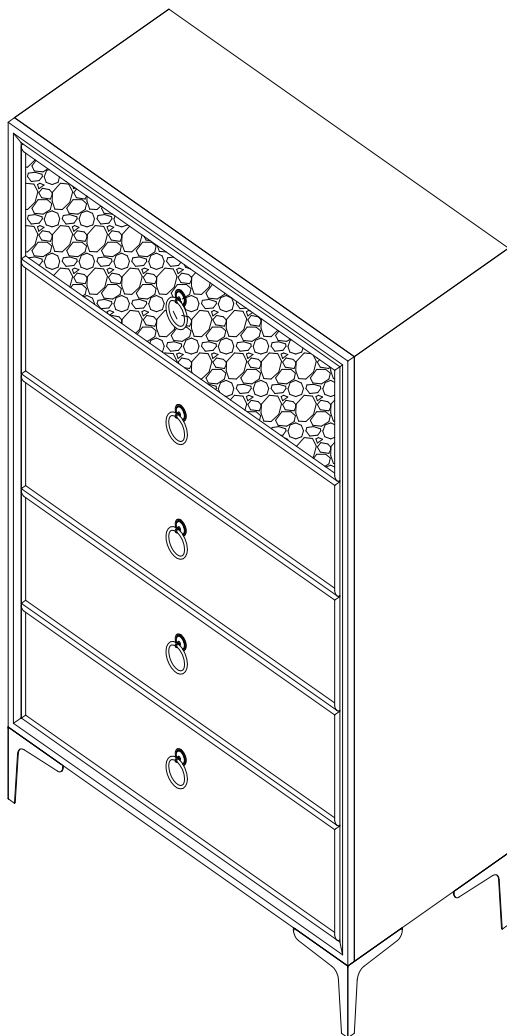


MAINTENANCE

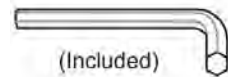


We recommend a yearly check to see if the wall anchor or screw has loosened. If so, please remove the existing wall anchor and screw, and use a new anchor.

ASSEMBLY INSTRUCTIONS



TOOLS REQUIRED



(Included)

Allen Wrench



Phillips
Screwdriver

(Not Included)



2 - People
Recommended

ASSEMBLY RATING



EASY → DIFFICULT

The Assembly Rating is a 5-point system showing the level of effort needed to assemble a specific product.



CHECK BEFORE STARTING



Are you missing anything?

Double-check all parts, hardware and accessories listed are all accounted for.



Check out our Quick Tips!

We recommend reviewing the pre-assembly handouts. Even experts need a refresher now and then!



Should we send any replacements?

Are there any irregularities or flaws in the parts? We can send replacements!



Prep Time!

Please review the assembly instructions and all diagrams prior to assembling.

PRE ASSEMBLY INTRODUCTION

We understand building ready-to-assemble furniture can be a challenging experience for some. To help avoid confusion, we have provided some helpful tips that may speed up the process.



Teamwork

ALWAYS have at least two people to help with transporting and assembling the product to avoid potential injury and/or damage.



Suitable Location

Assembling near the area of the intended location is highly recommended.



Sufficient Space

Make sure you have enough space to move around during the assembly.



Avoid Scratches

Use cardboard, blankets or a carpeted area while assembling furniture to prevent to prevent scratches and damages.



Flat Surface

Make sure the furniture rests on a flat and level surface with each leg evenly touching the floor.

ASSEMBLY AND CARE ADVICE



FAILURE TO FOLLOW THE GUIDELINES BELOW MAY RESULT IN INJURY AND/OR PROPERTY DAMAGE.



Position each part correctly and insert screws or bolts into their respective holes.



Turn clockwise to tighten and only tighten when step is completed or when instructed to do so.



Use the appropriate hand tools or power tools for assembly. Select steps, such as tightening screws and/or bolts, may require hand tools to avoid causing damage during assembly.



Save the instructions and store any supplied tools for later maintenance.



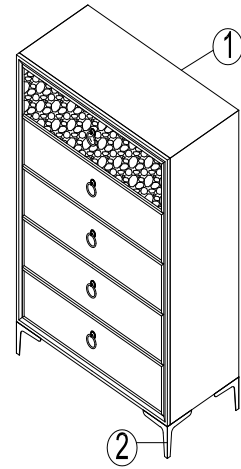
After two weeks, check and tighten any loose hardware and repeat again every six months thereafter.

IT IS THE USER'S RESPONSIBILITY TO MAINTAIN THE FURNITURE. THE HARDWARE MAY LOOSEN OVER TIME AND MAY CAUSE THE FURNITURE TO BE WOBBLY AND UNABLE TO SUPPORT ITS INTENDED WEIGHT CAPACITY. THIS MAY LEAD TO COLLAPSE AND MAY CAUSE SERIOUS INJURY.

CHEST

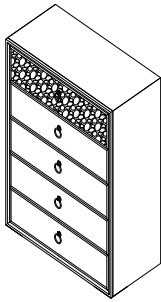


- Please keep instructions for future reference.
- Check the quantity and irregularity of parts and hardware before you start.



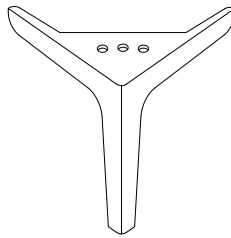
PARTS

①



CHEST
1 pc.

②



METAL LEGS
4pcs

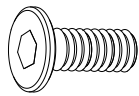
HARDWARE

Ⓐ



ALLEN WRENCH
1pc

Ⓑ



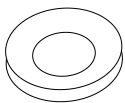
BOLT $\text{\O} 5/16'' \times 1''$
8pcs

Ⓒ



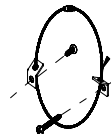
LOCK WASHER $\text{\O} 5/16''$
8pcs

Ⓓ



F L AT WASHER $\text{\O} 5/16'' \times 19\text{MM}$
8pcs

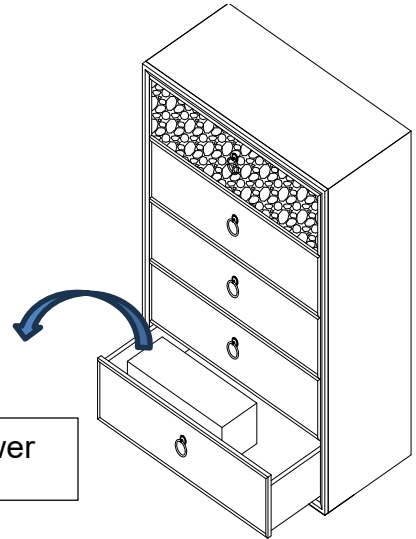
Ⓔ



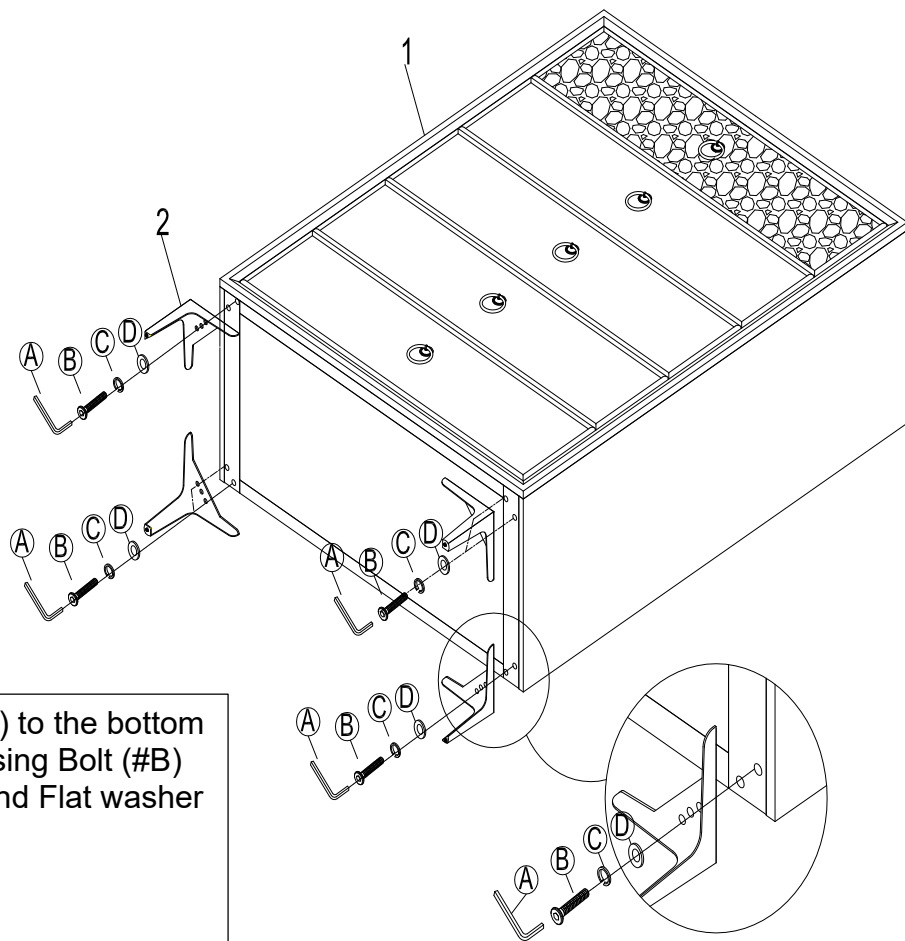
ANTITIP KIT
1pc

ASSEMBLY INSTRUCTIONS

- 1 . Part #1 x 1pc
- Part 2# x 4pcs
- Hardware # A x 1pc
- Hardware # B x 8pcs
- Hardware # C x 8pcs
- Hardware # D x 8p



Take the leg box out of the drawer

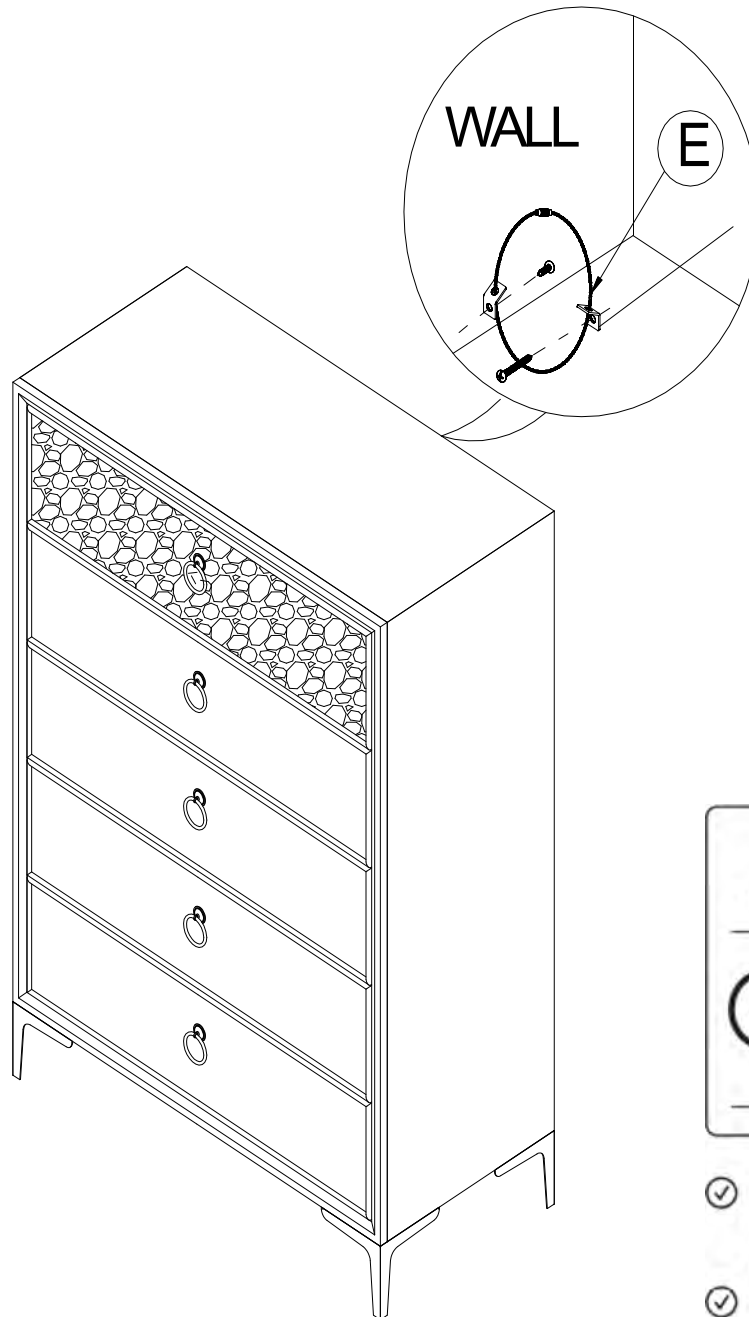


Align the Metal Legs (#2) to the bottom Chest (#1). Secure by using Bolt (#B) with Lock Washer(#C) and Flat washer (#D) Allen wrench(#A).

ASSEMBLY INSTRUCTIONS

Use anti-tip kit to secure Chest to the wall.

2. Hardware #E x 1set



ASSEMBLY COMPLETED



Please ensure the furniture rests on an even and flat surface. If the product wobbles or feels loose, double-check all bolts and/or screws are properly tightened and secured.



Keep this handy!

Please retain this instruction manual and any order-related information for future reference.



Lift, don't drag!

To avoid damage to product please always LIFT the product when transporting or adjusting the placement.

ASSEMBLY INSTRUCTIONS

Wall Mounting and Fixing



EXPANSION WALL ANCHOR

Our provided expansion wall anchors are only suitable for masonry walls, such as drywall, plaster or concrete, and are best for holding lightweight items or for anti-tip prevention. If you are unsure of the correct wall anchor to use with the product, please request professional guidance. Liability for product damage or failure due to using the incorrect anchors will fall on the installer.



CHECK BEFORE PROCEEDING

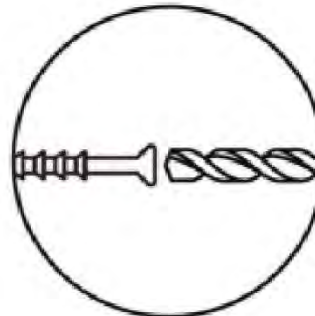
Prior to drilling or hammering, please check for wires or pipes. We recommend using a stud finder to locate a stud, which will offer more appropriate resistance and hold more weight.

QUICK TIPS

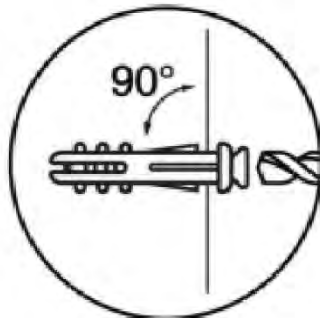
1. If unsure of the proper size, always choose a larger screw and wall anchor.



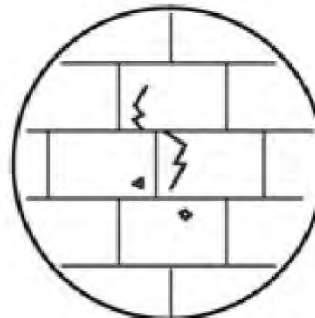
2. Match the drill bit to the wall anchor and hole size.



3. Only drill horizontally. Do not force the drill or enlarge the hole for the wall anchor.



4. Take extra care when drilling into high walls or ceramic tiles. Wall anchors should be a tight fit for the hole. Never use wall anchors in ceilings.



MAINTENANCE



We recommend a yearly check to see if the wall anchor or screw has loosened. If so, please remove the existing wall anchor and screw, and use a new anchor.