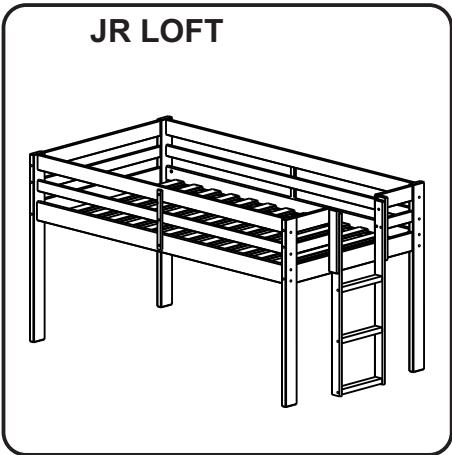
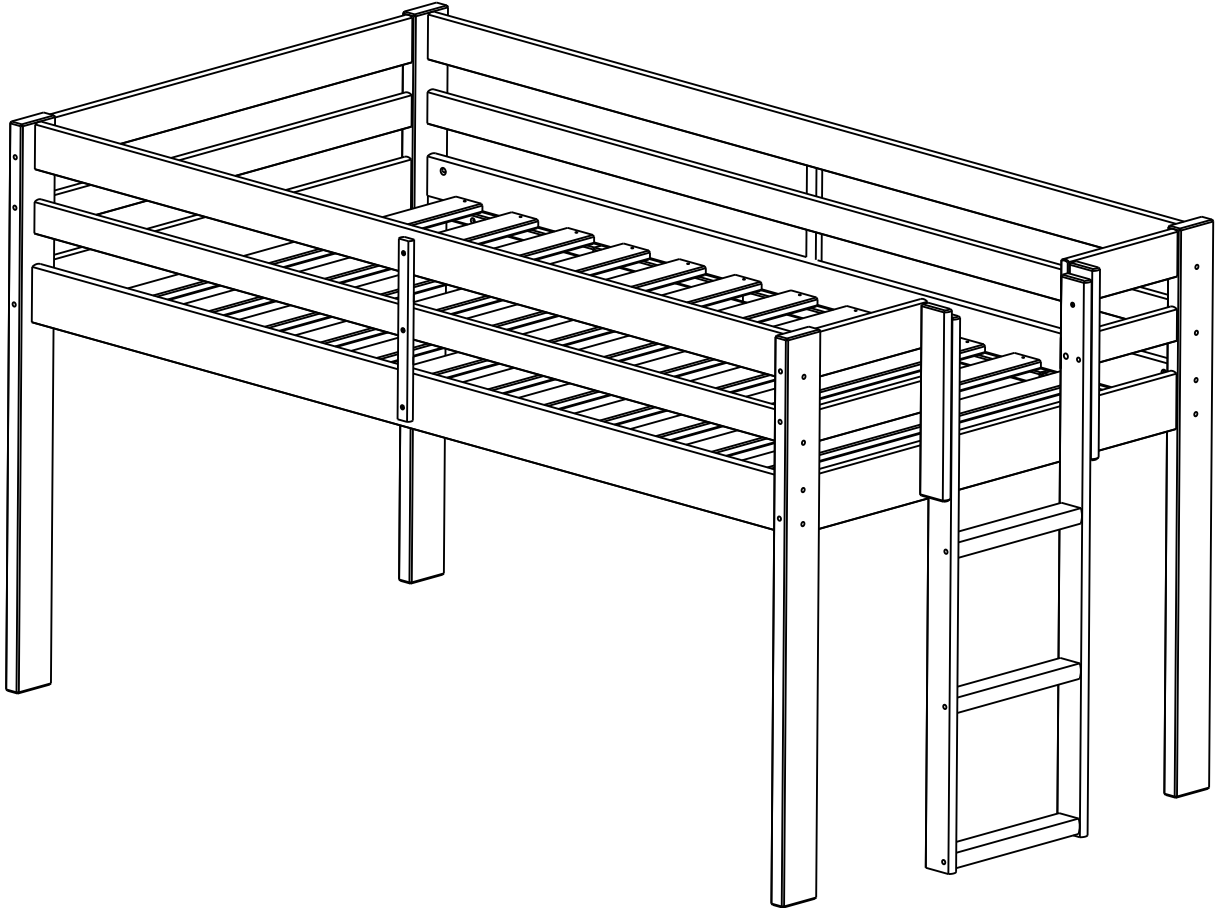
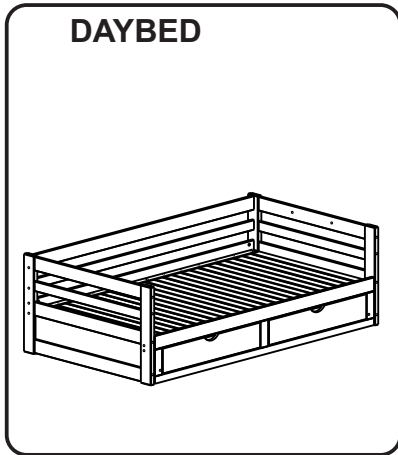


# ASSEMBLY INSTRUCTIONS

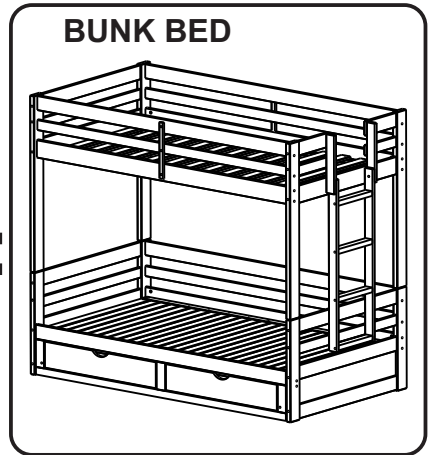
## JR LOFT



+

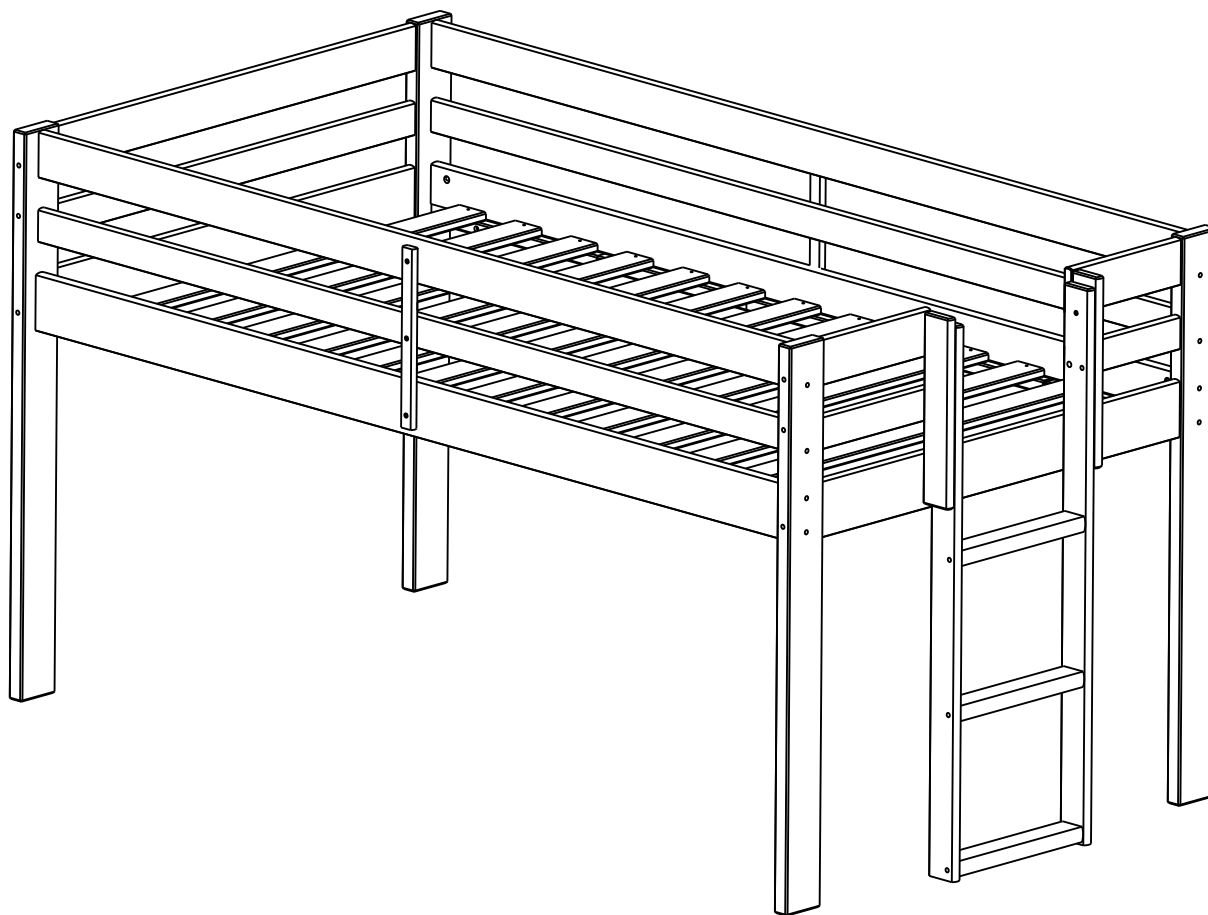


=



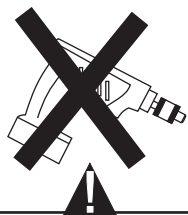
# ASSEMBLY INSTRUCTIONS

## JR LOFT

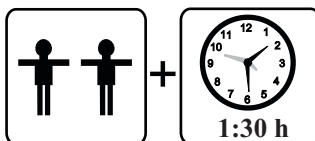


### REPLACEMENT PARTS

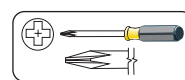
Please do not contact the company purchased from as we can help you faster.



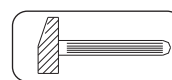
\* Use of power tool to assemble this product will invalidate any claim and damage this product making it unsafe!!!  
\* Please assemble on a clean soft surface to avoid damage.



### Tools Required

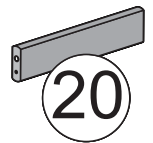
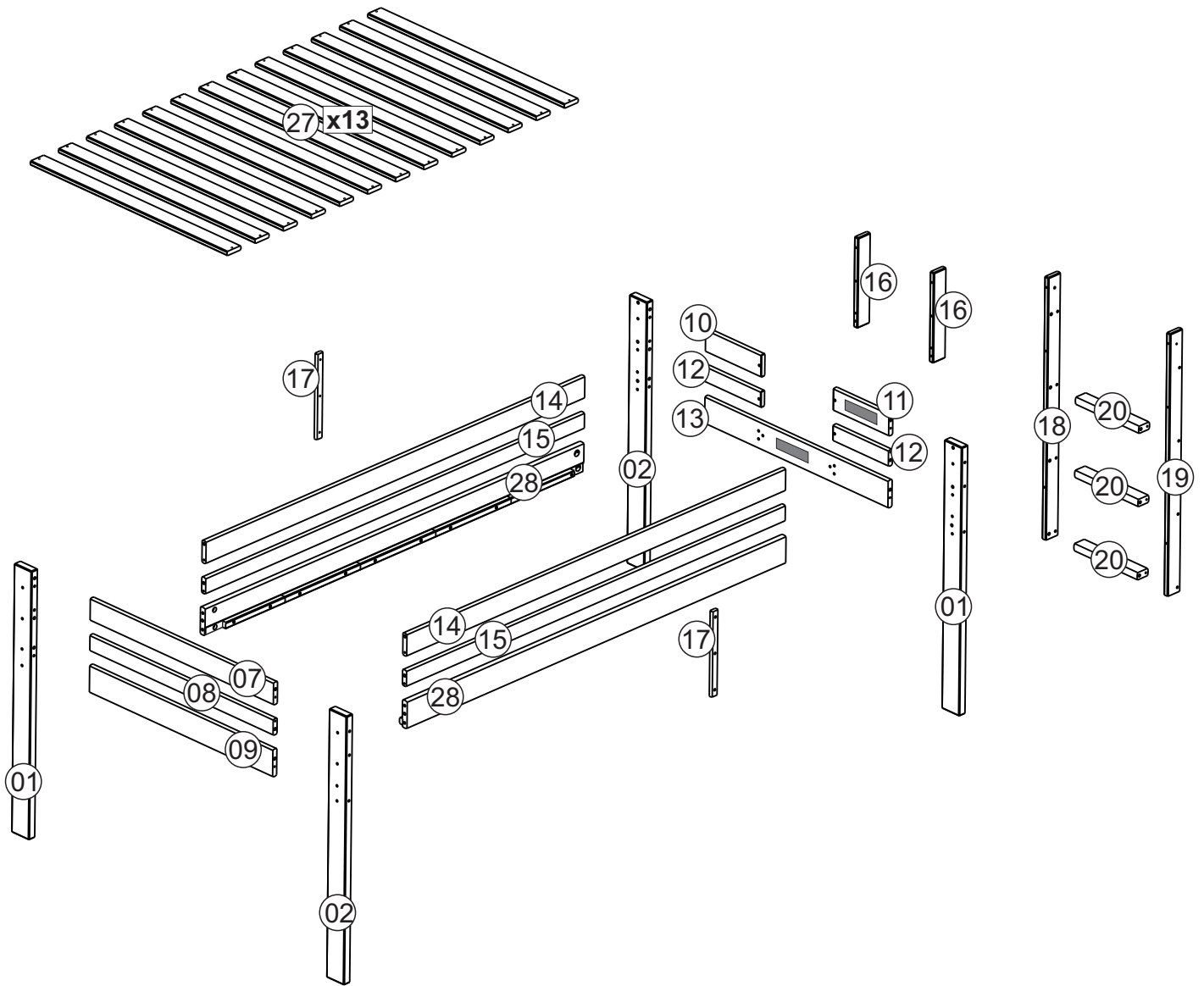


(Not included)






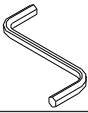



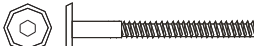

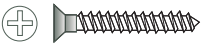


(Not included)

# Part List - Jr Loft



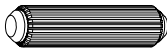
**Additional part 20 is included for assembling the Bunk Bed option**

# Identifying the Hardware-Identify the hardware using the illustrations below.

C  26 4,0 x 35	E  32 10X50	G  08 7 x 70 x 17mm
H  01	J  02 SPACER - 2 3/4" 71mm	K  08 1/4
Q  12 7 x 120 x 17mm	R  20 7 x 60 x 17mm	T  04 15X100
U  08 4,0 x 30	V  02	X  08 1/4 x 80 x 17mm

# 01

E



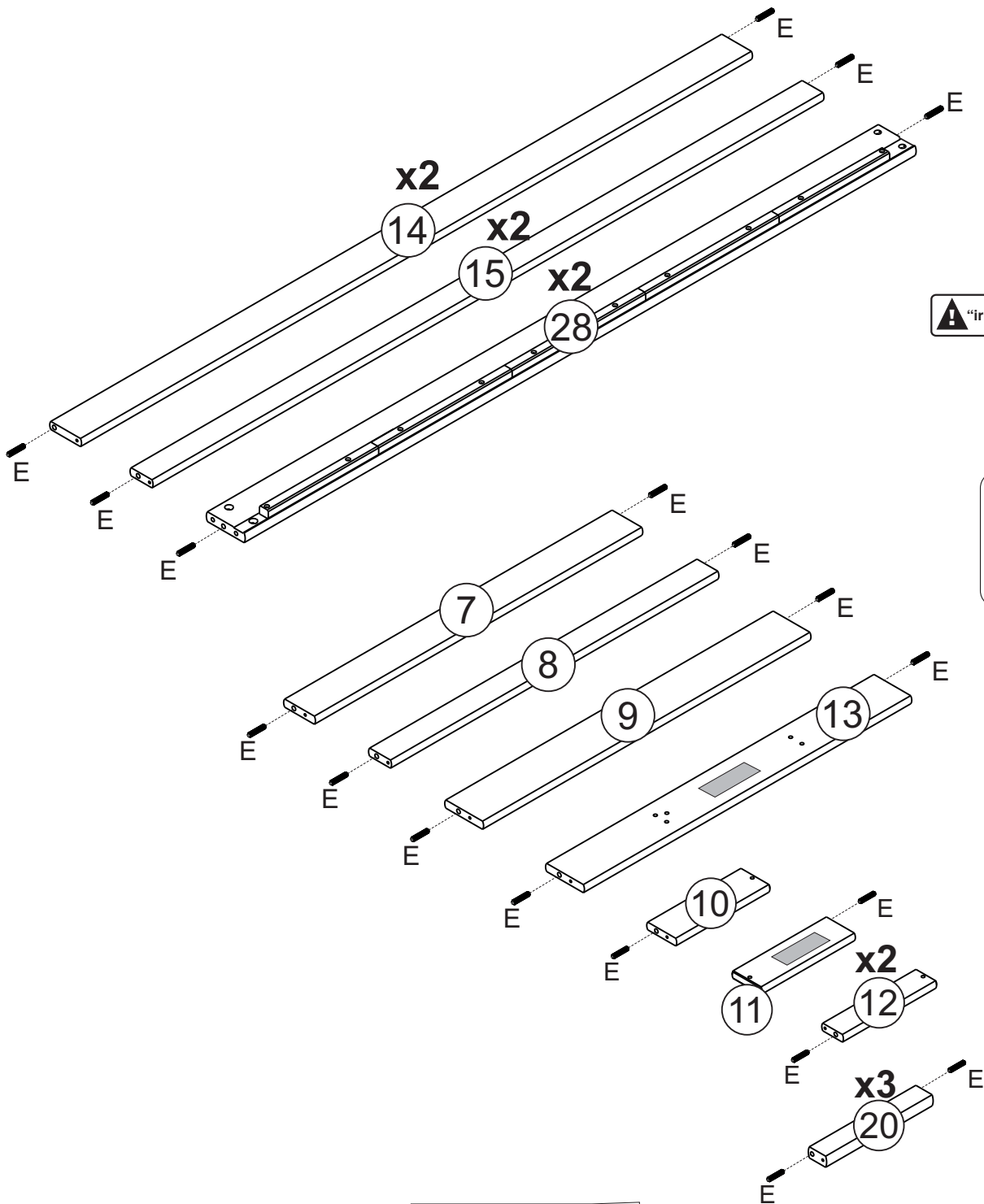
10X50

30

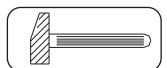
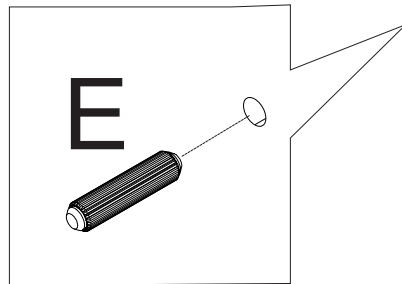
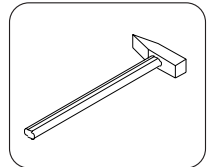
V



02



"irreversible operation"



(Not included)

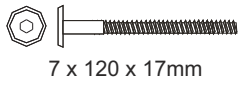
# 02

H



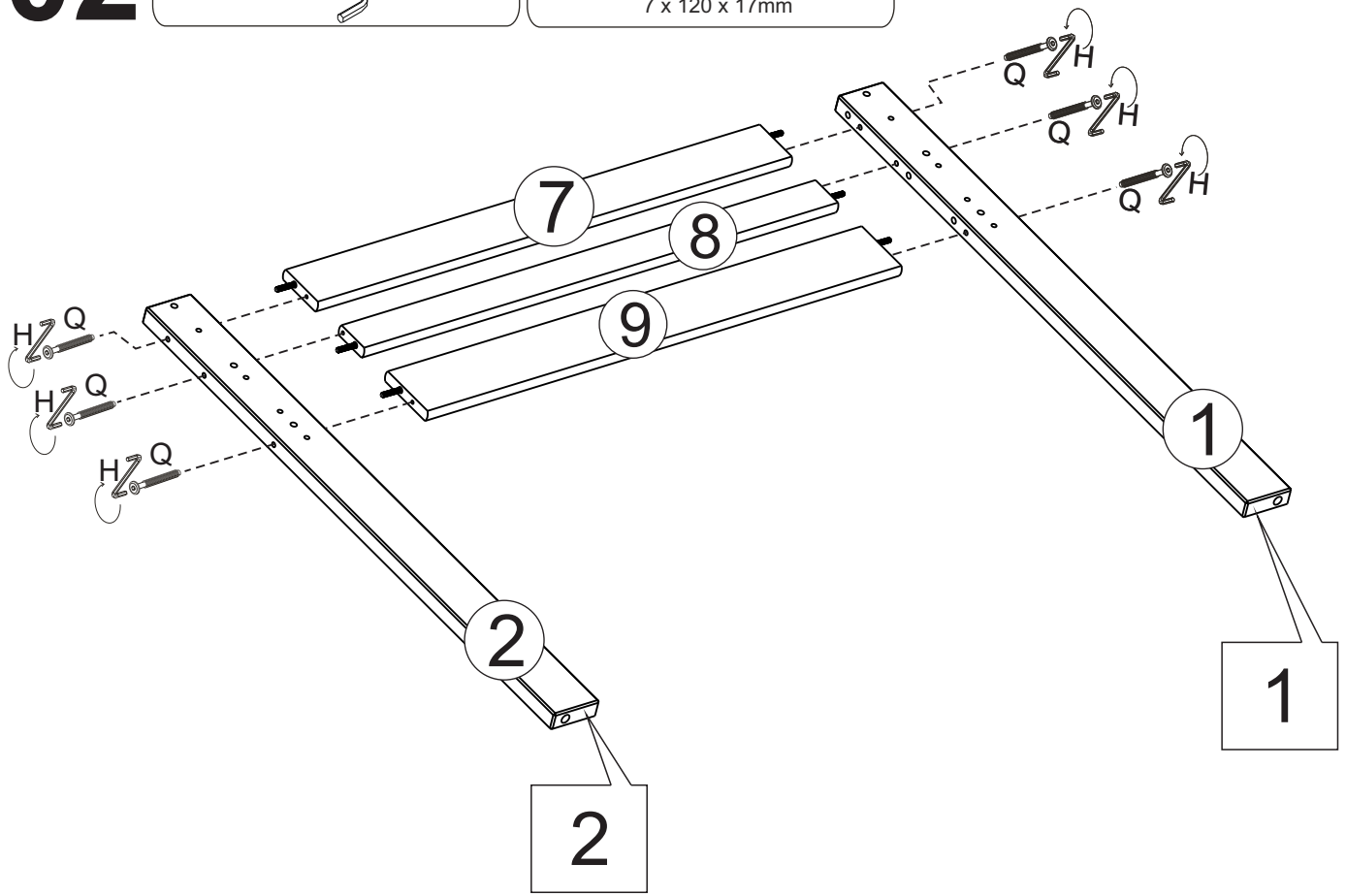
01

Q



06

7 x 120 x 17mm



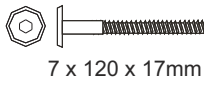
# 03

H



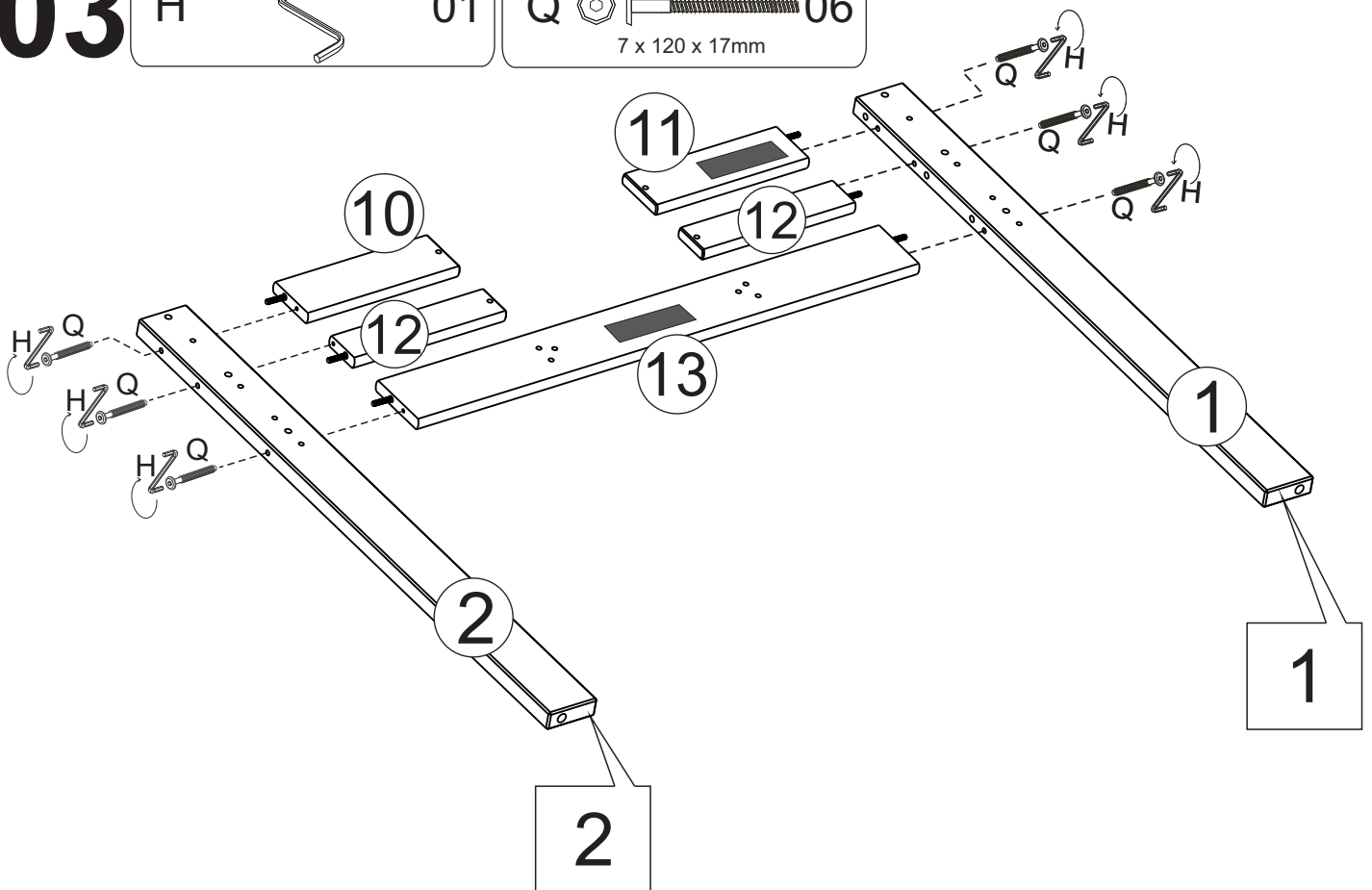
01

Q




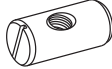
06


7 x 120 x 17mm

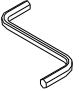


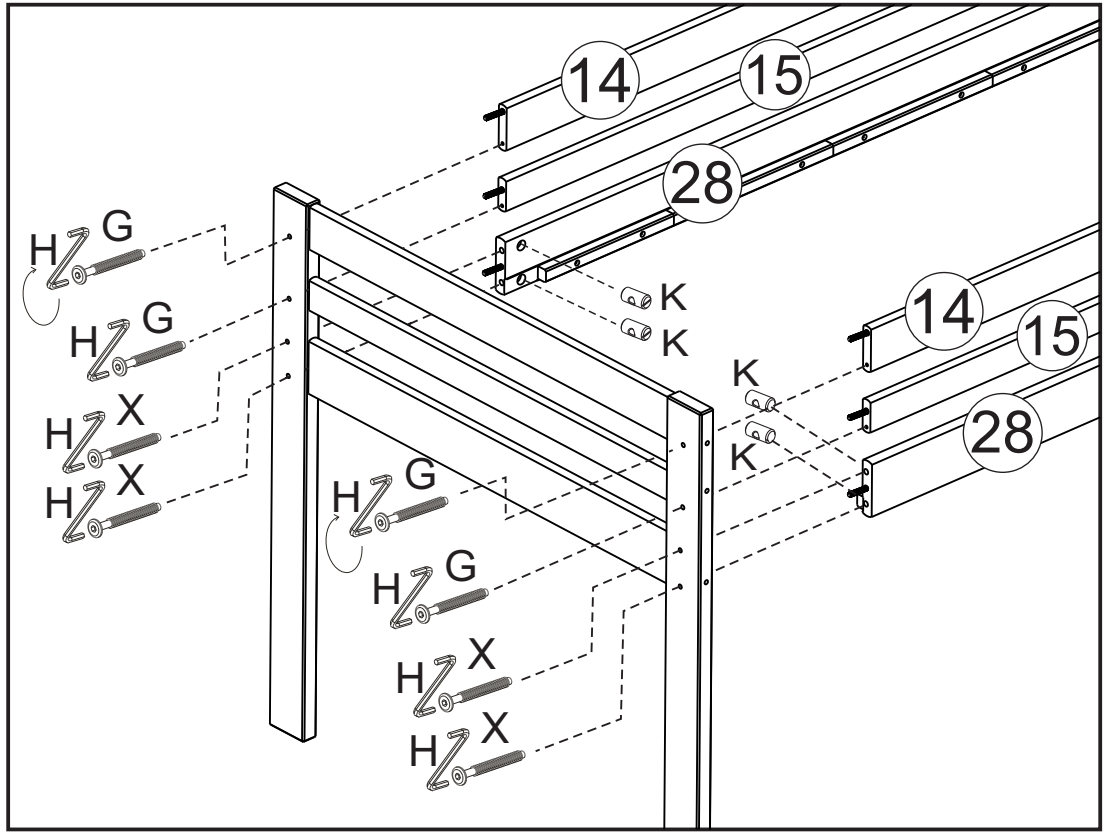
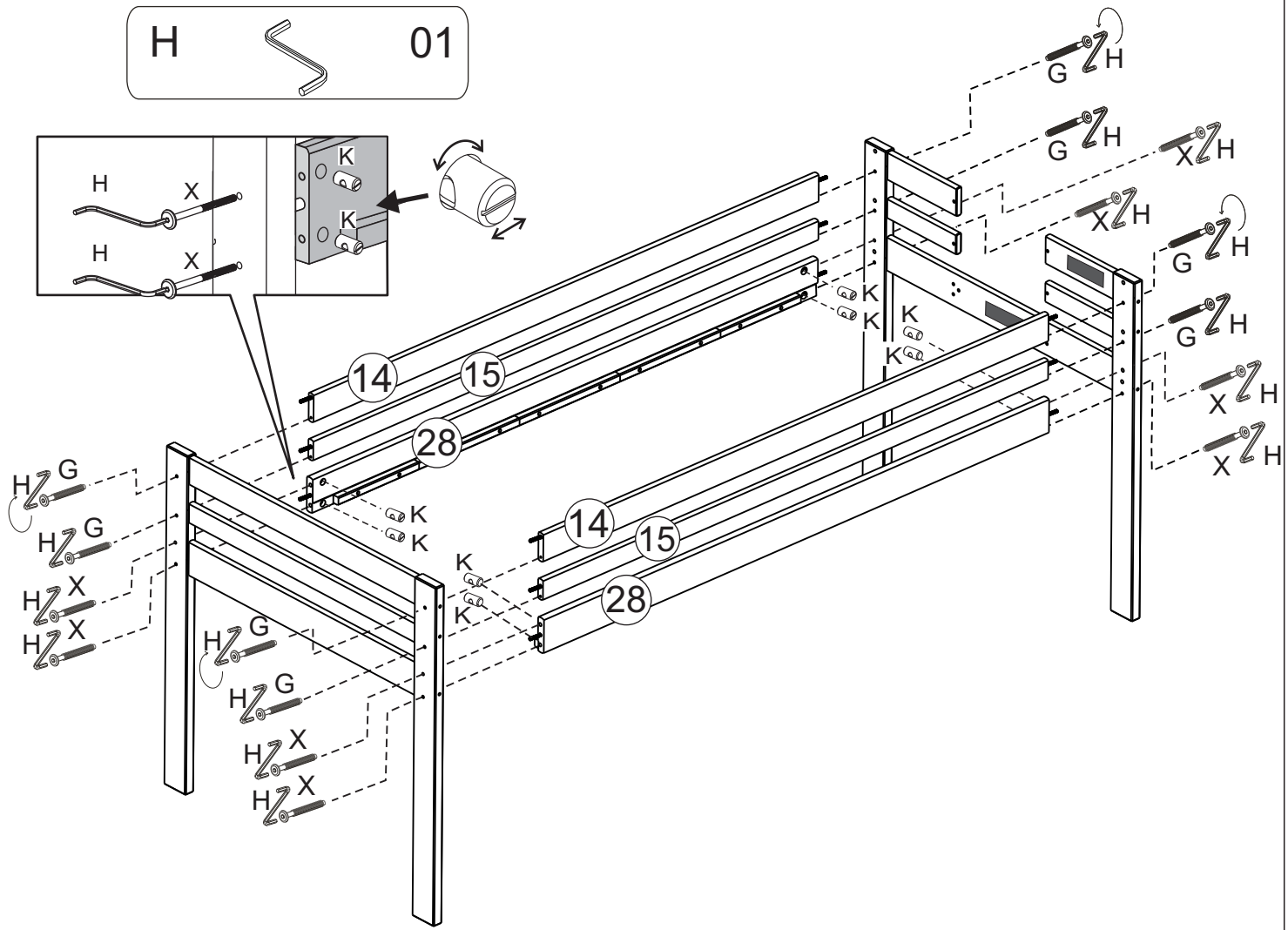
# 04

X  08  
1/4 x 80 x 17mm

K  08  
1/4

G  08  
7 x 70 x 17mm

H  01



# 05

R

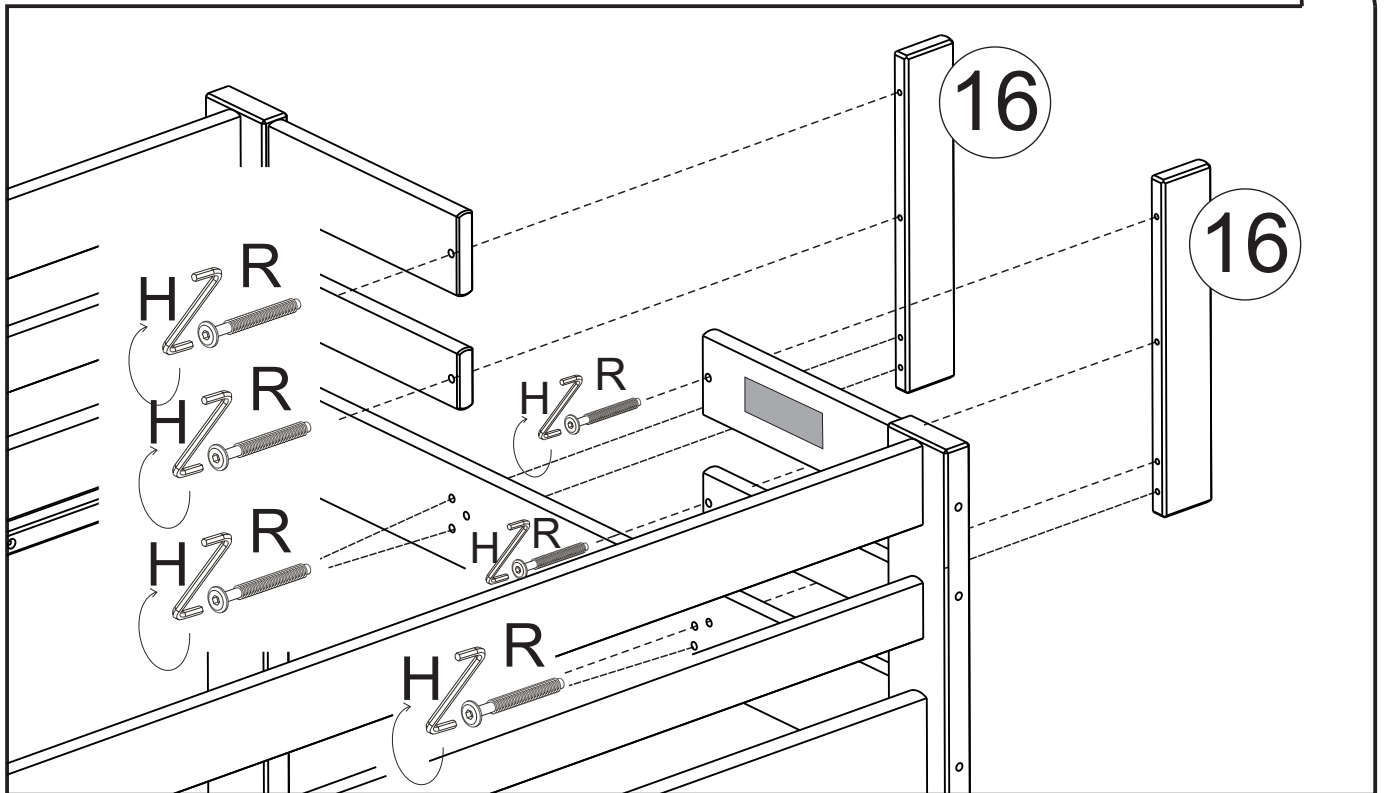
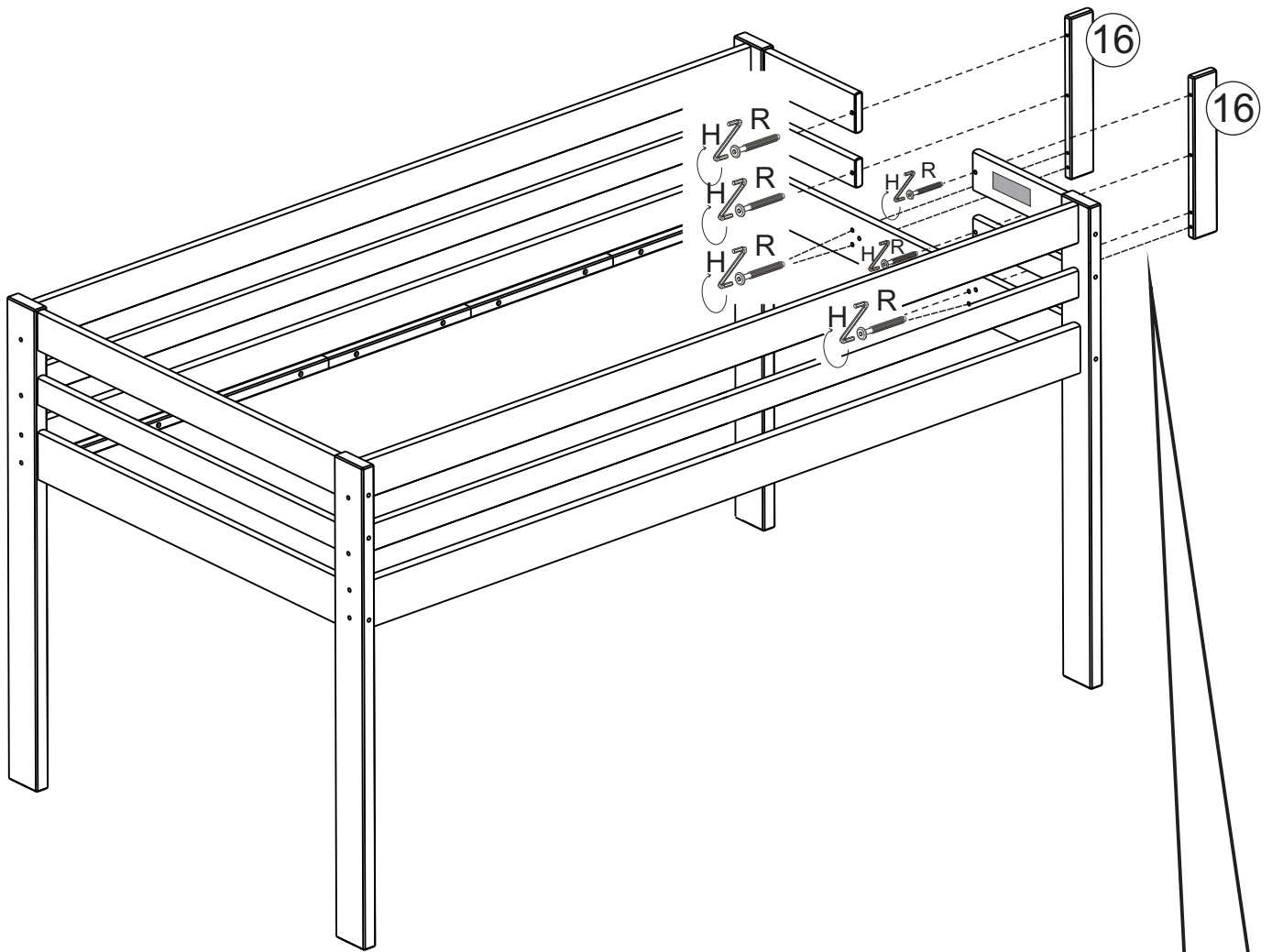


08  
7 x 60 x 17mm

H



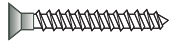
01





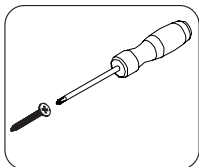
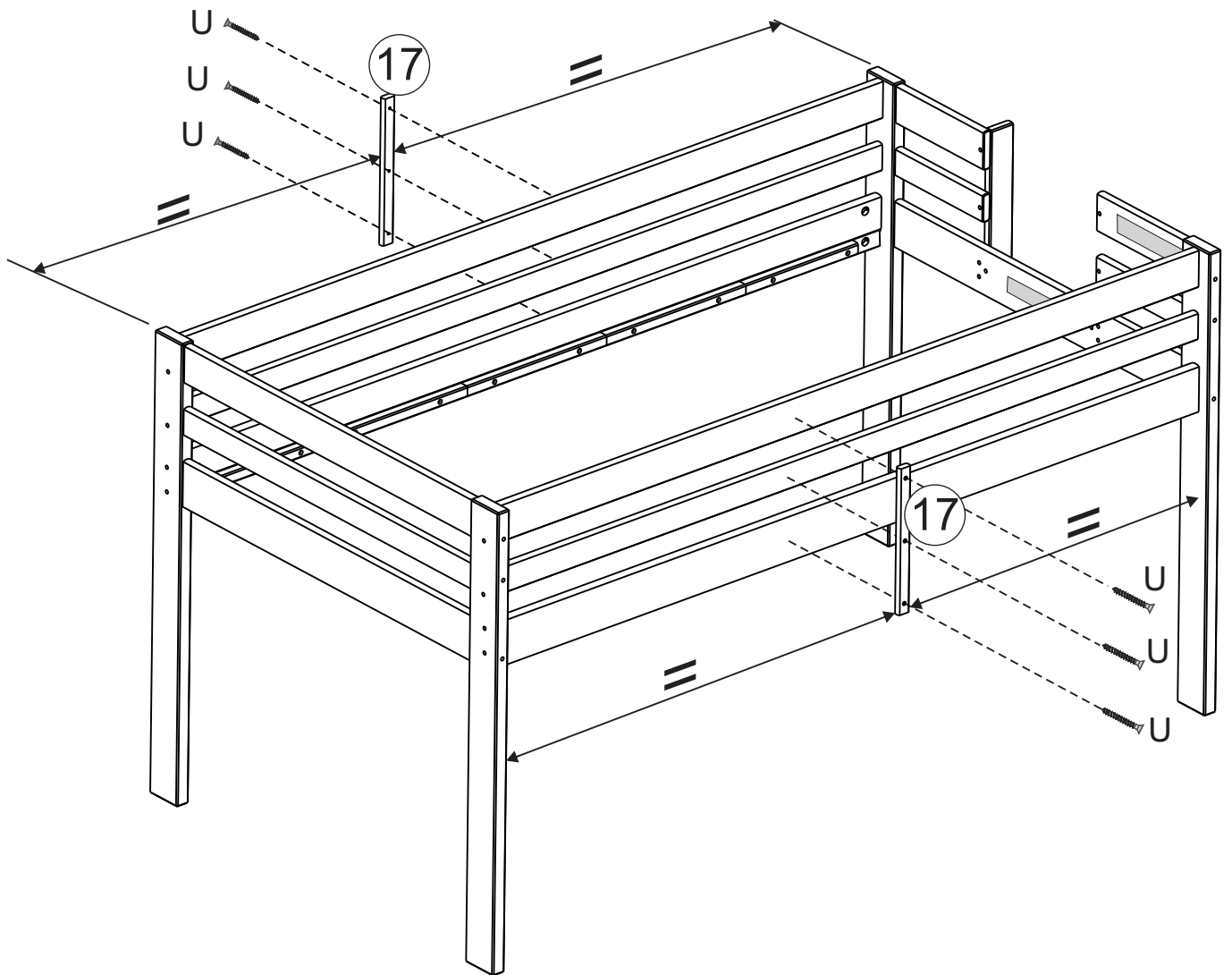
# 06

U



06

4,0 x 30



# 07

C



4,0 x 35

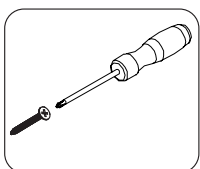
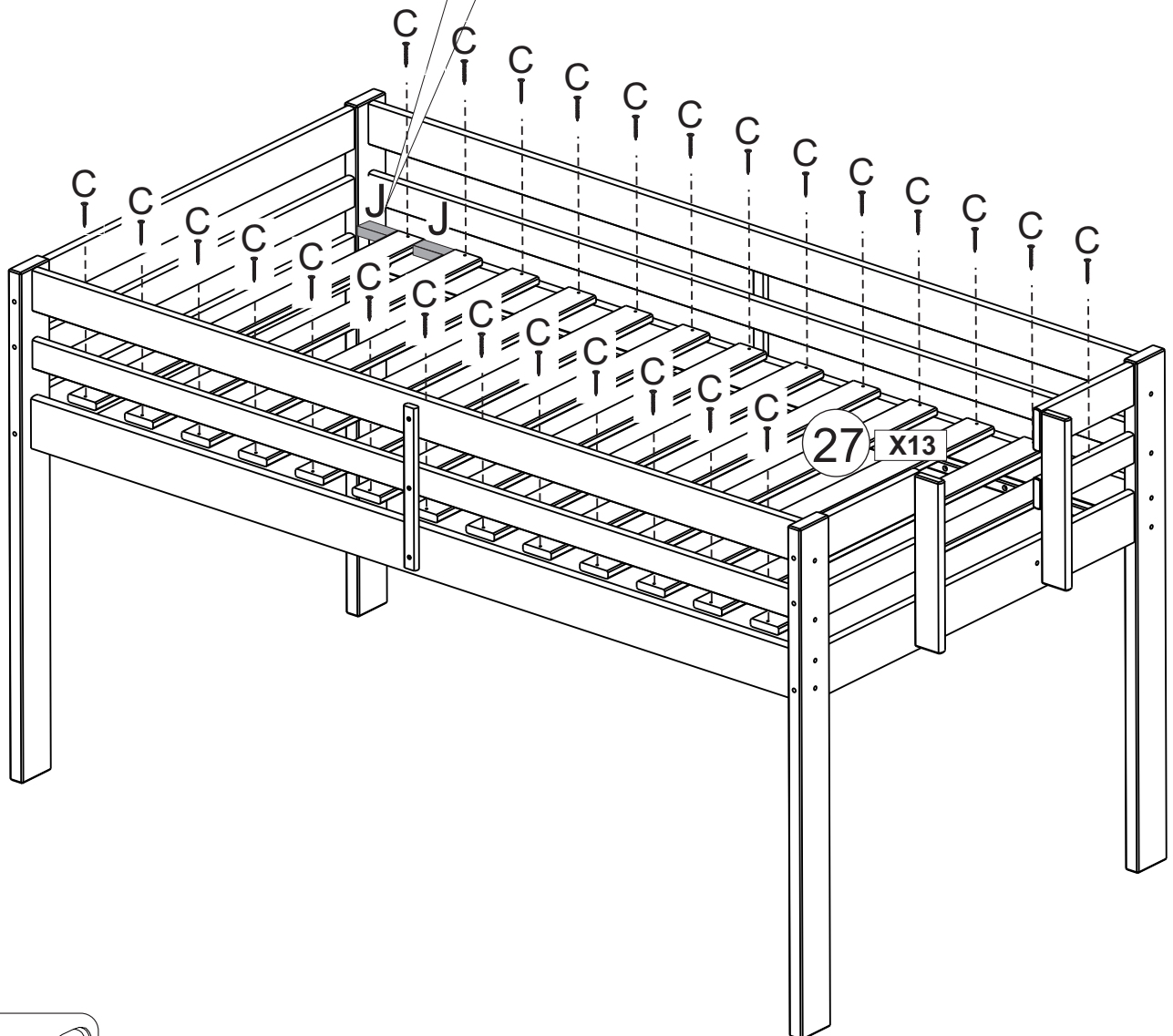
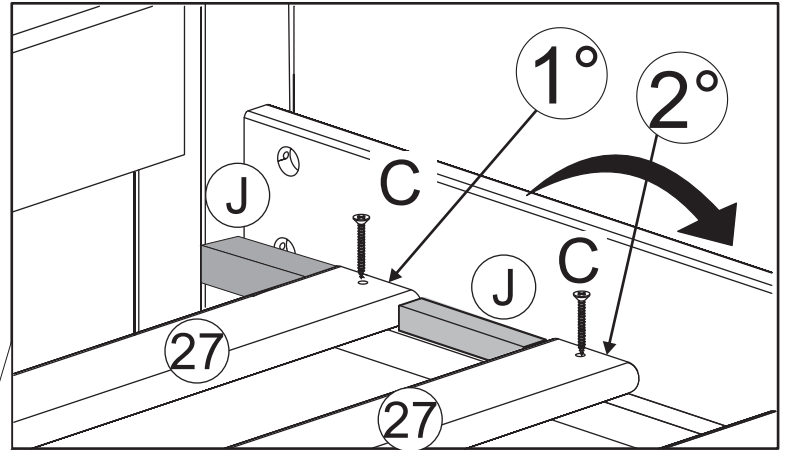
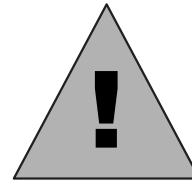
26

J

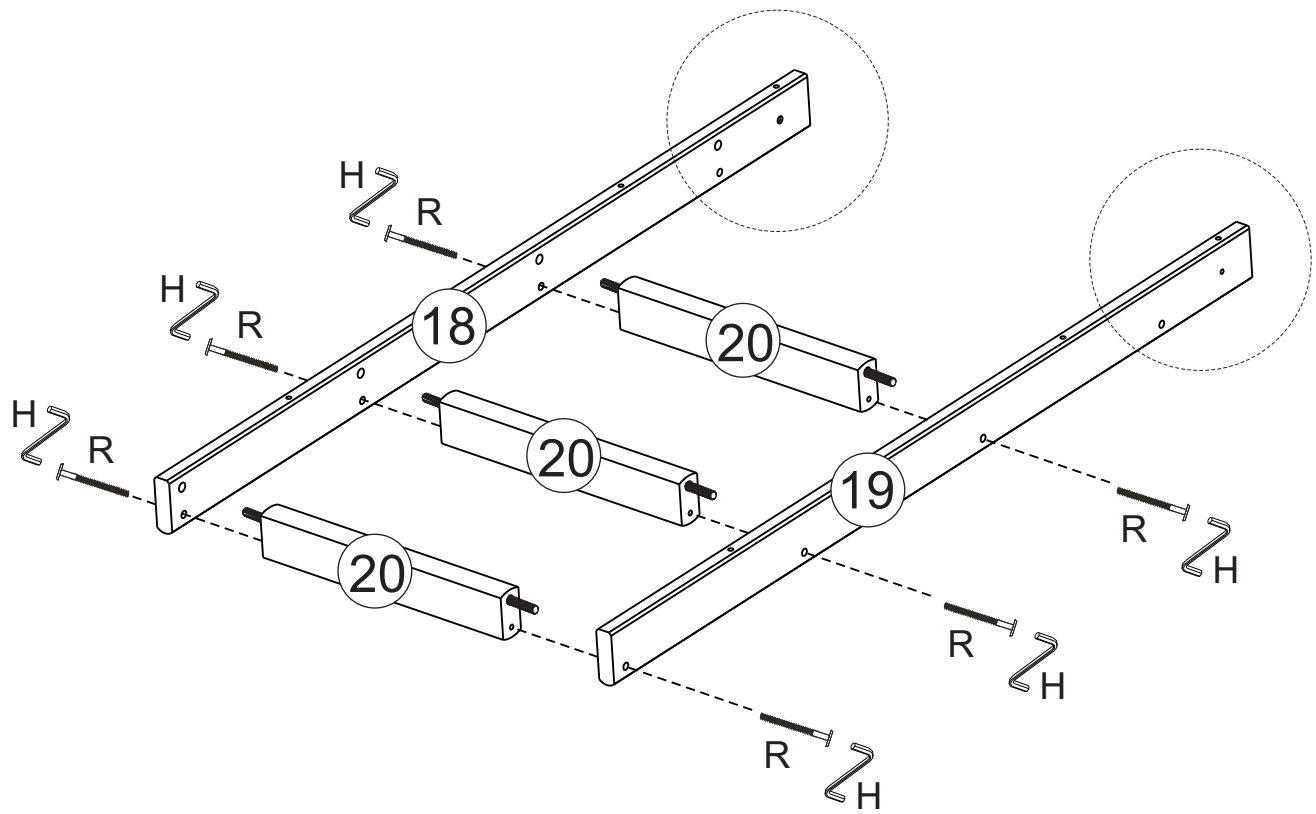
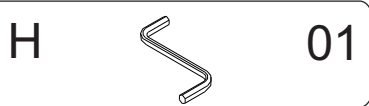
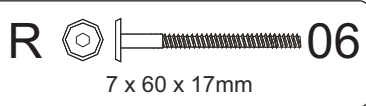


Spacer 2 3/4"  
71mm


02

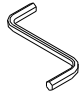



# 08



09

R  02  
7 x 60 x 17mm

H  01

U  02  
4,0 x 30

