
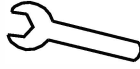
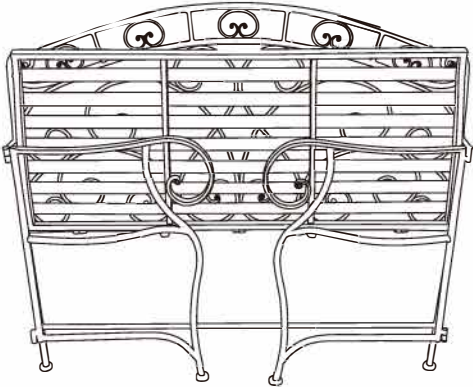
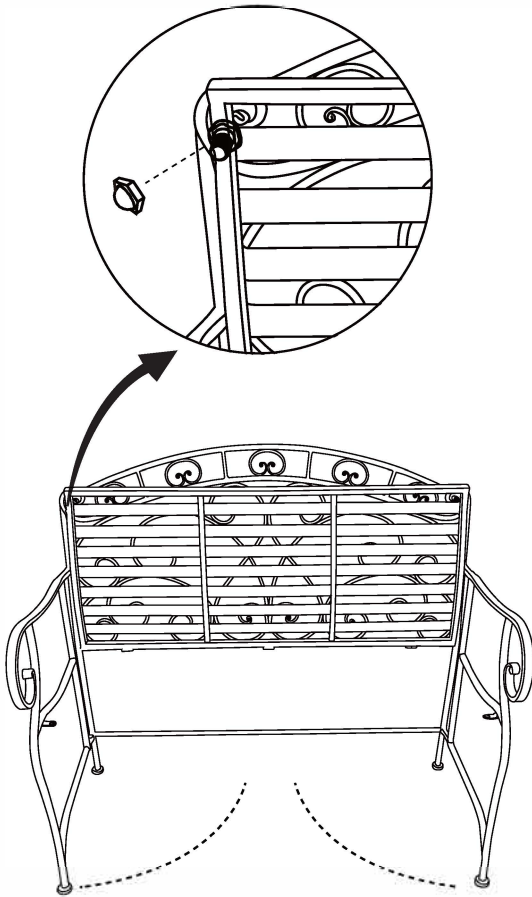
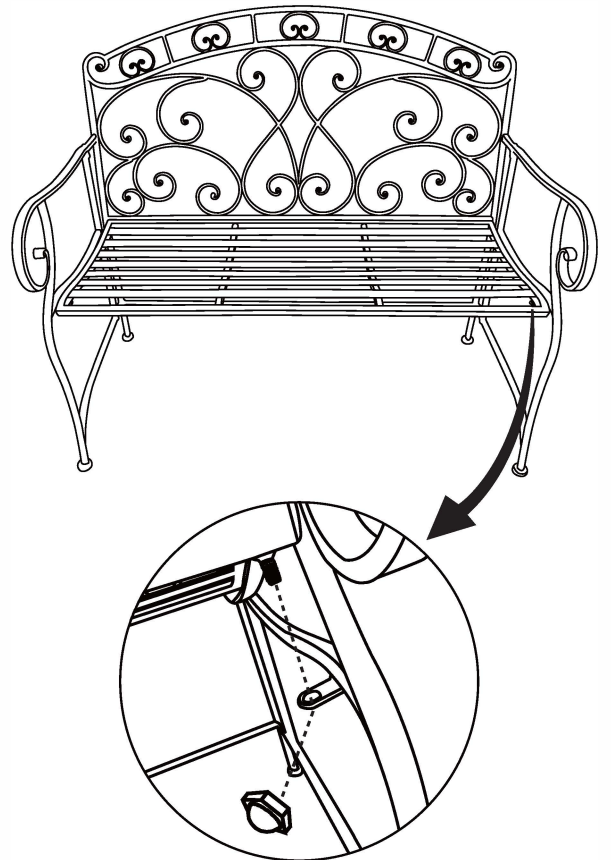


ASSEMBLY INSTRUCTION

Code	Diagram	QTY	Code	Diagram	QTY
A		2 pc	B		1 pc
Code	Diagram				QTY
C					1 pc



Step 1



Step 2