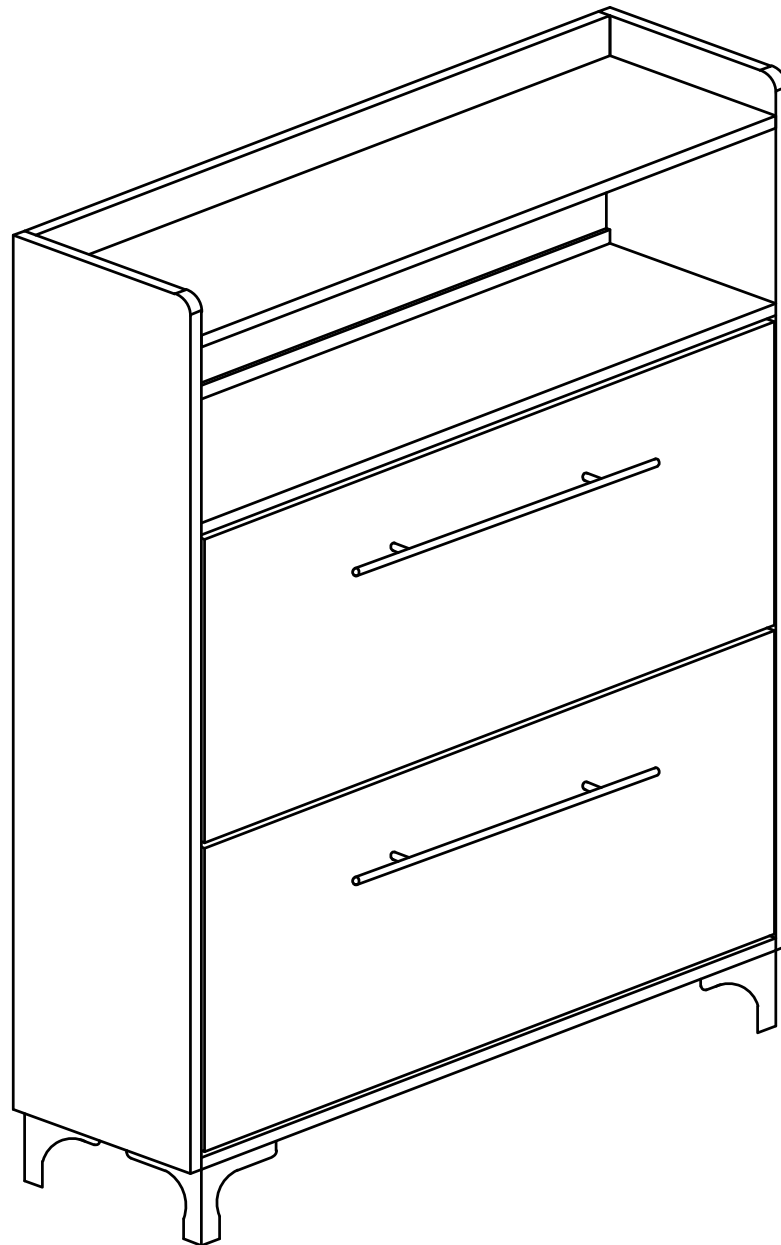


# ASSEMBLY INSTRUCTIONS

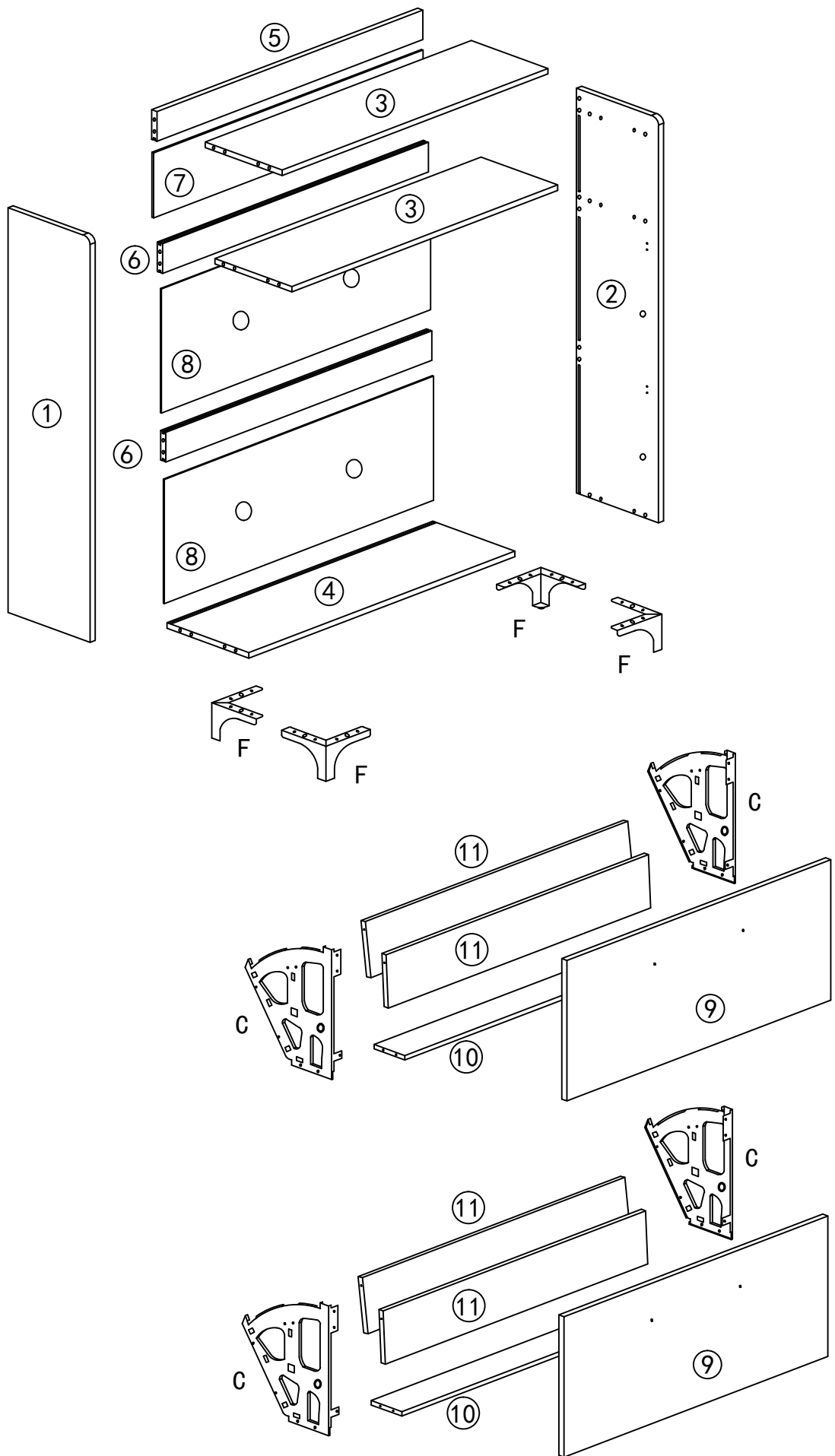
---

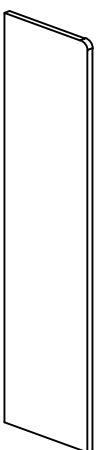
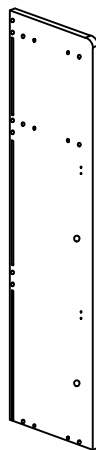
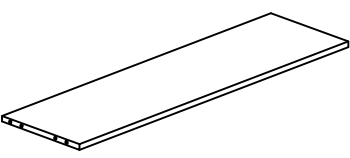
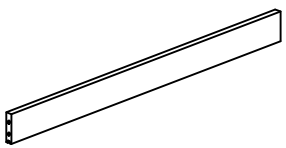
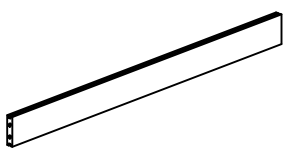
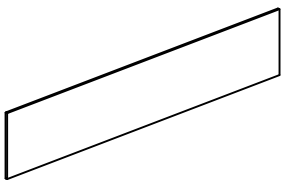
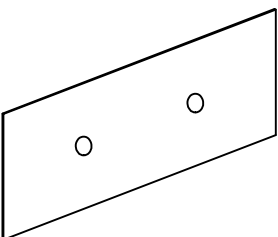
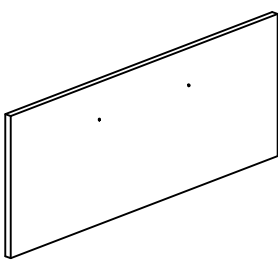
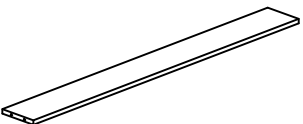


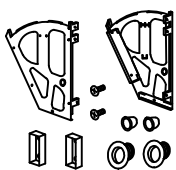


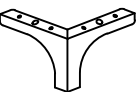

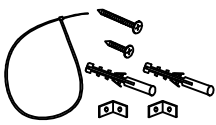
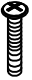




## Shoe Cabinet

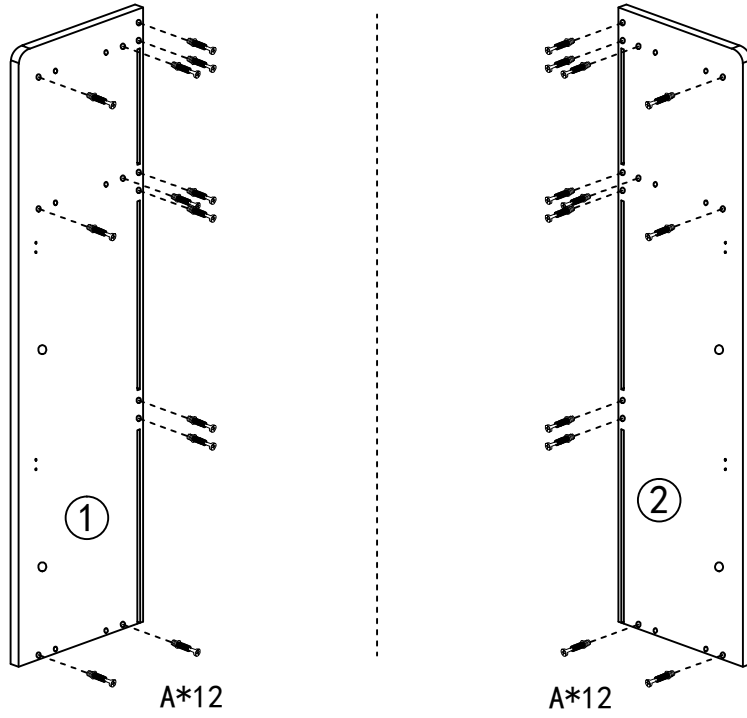
**Notice:**




- 1. Follow the installation instructions. Please confirm all accessories are preset before installation.**
- 2. Do not fully tighten the screws during initial assembly. Fully tighten screws only once all pieces which are correctly assembled.**
- 3. If you encounter any problems during installation, please contact our customer service.**



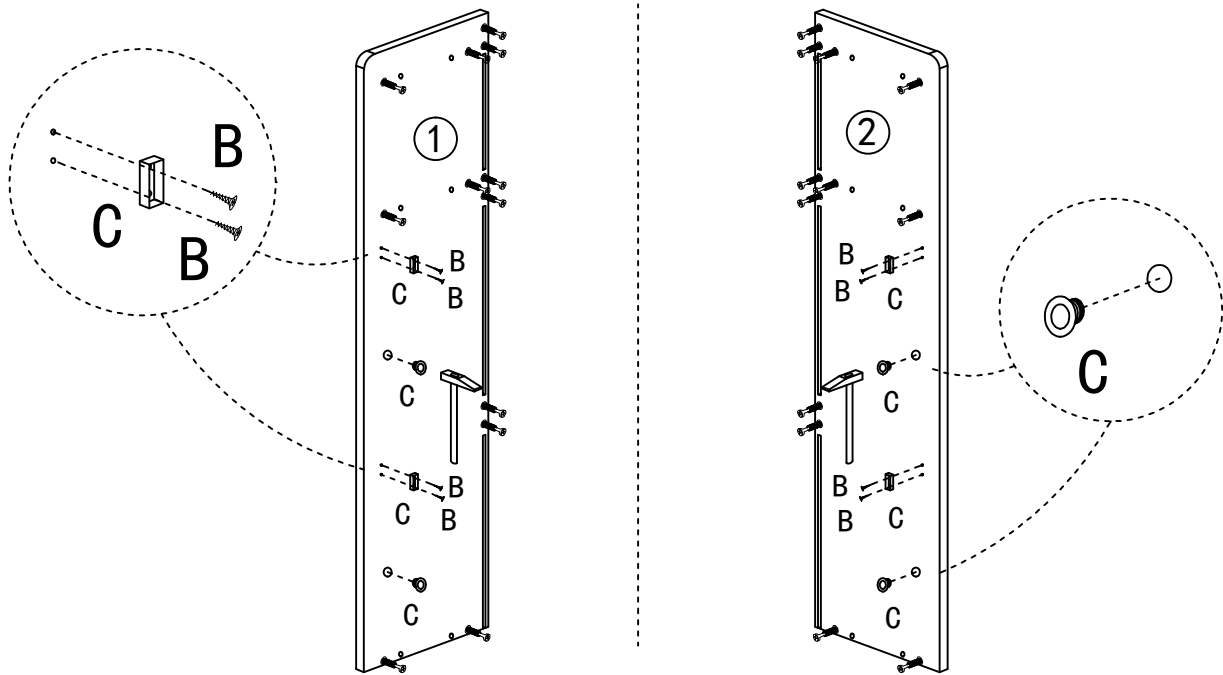
<p>① *1</p> 	<p>② *1</p> 	<p>③ *2</p> 			
<p>⑤ *1</p> 	<p>⑥ *2</p> 	<p>⑦ *1</p> 			
<p>⑧ *2</p> 	<p>⑨ *2</p> 	<p>⑩ *2</p> 			
<p>A × 24</p>  <p>M6*40</p>	<p>B × 60</p>  <p>M3.5*14</p>	<p>C × 2</p> 	<p>D × 24</p>  <p>M15*11</p>	<p>E × 12</p>  <p>M6*50</p>	<p>F × 4</p> 
<p>G × 12</p> 	<p>H × 2</p> 	<p>I × 4</p>  <p>M4*25</p>	<p>J × 2</p>  <p>L400</p>	<p>K × 1</p>  <p>2/10.</p>	



# STEP1:



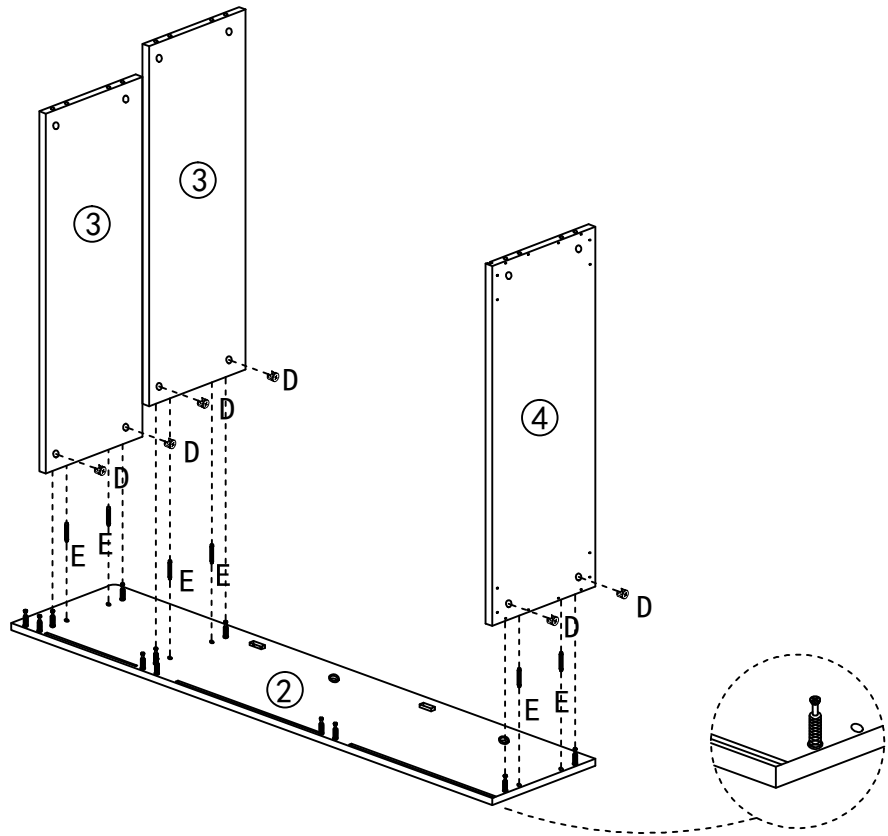
①		*1	②		*1	A		*24
---	---	----	---	---	----	---	---	-----





# STEP2:



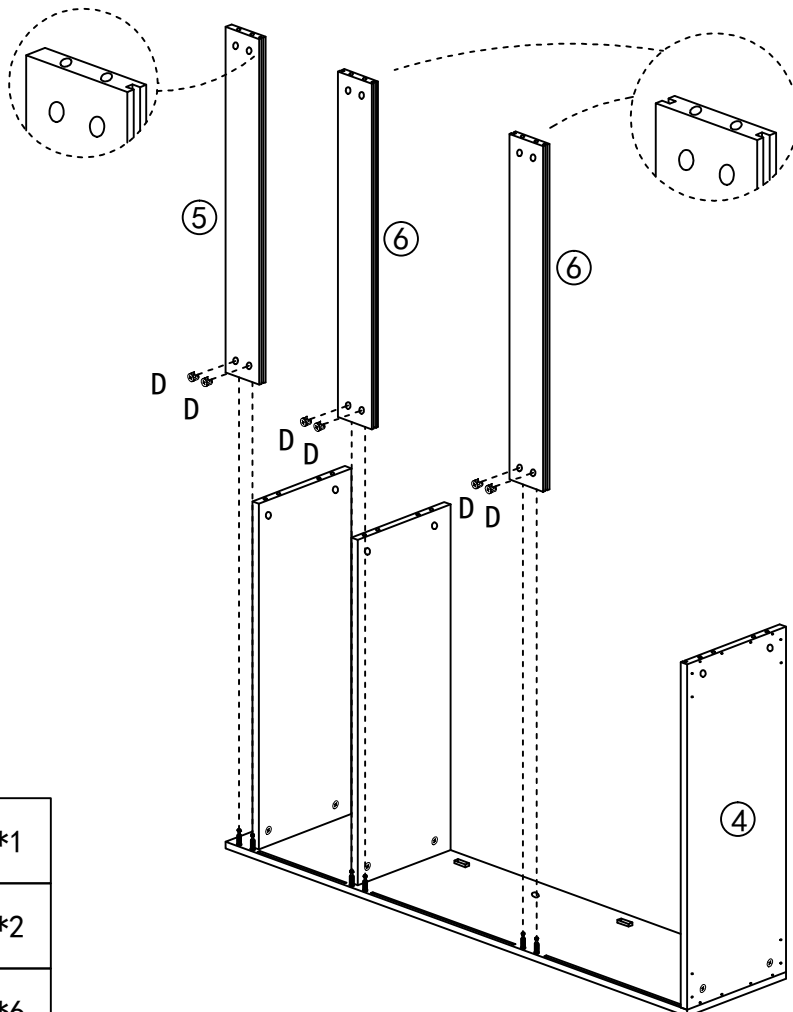
B		*8	C		*2
---	---	----	---	---	----




### STEP3:



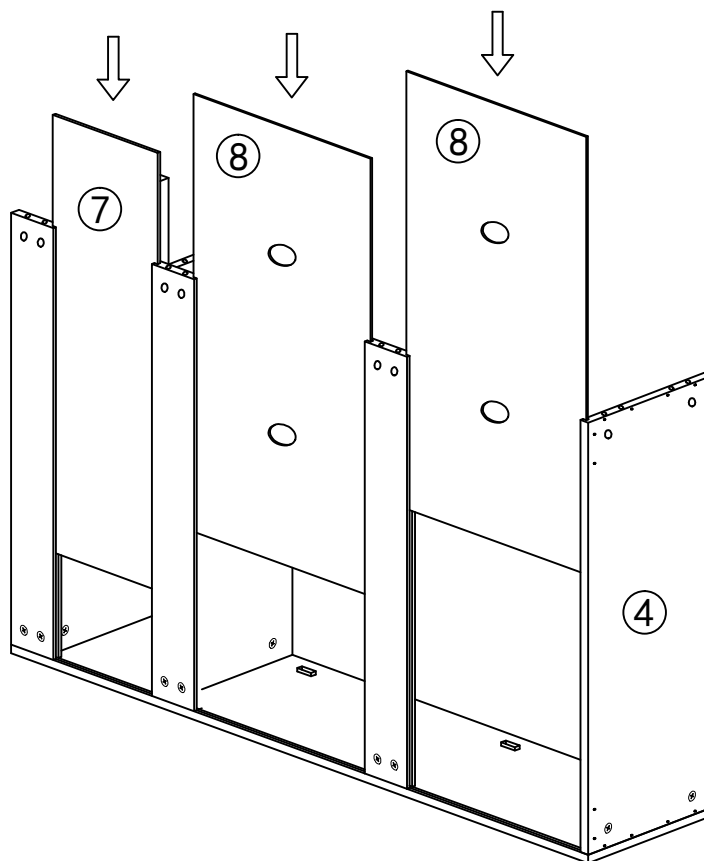
③		*2
④		*1
D		*6
E		*6

### STEP4:



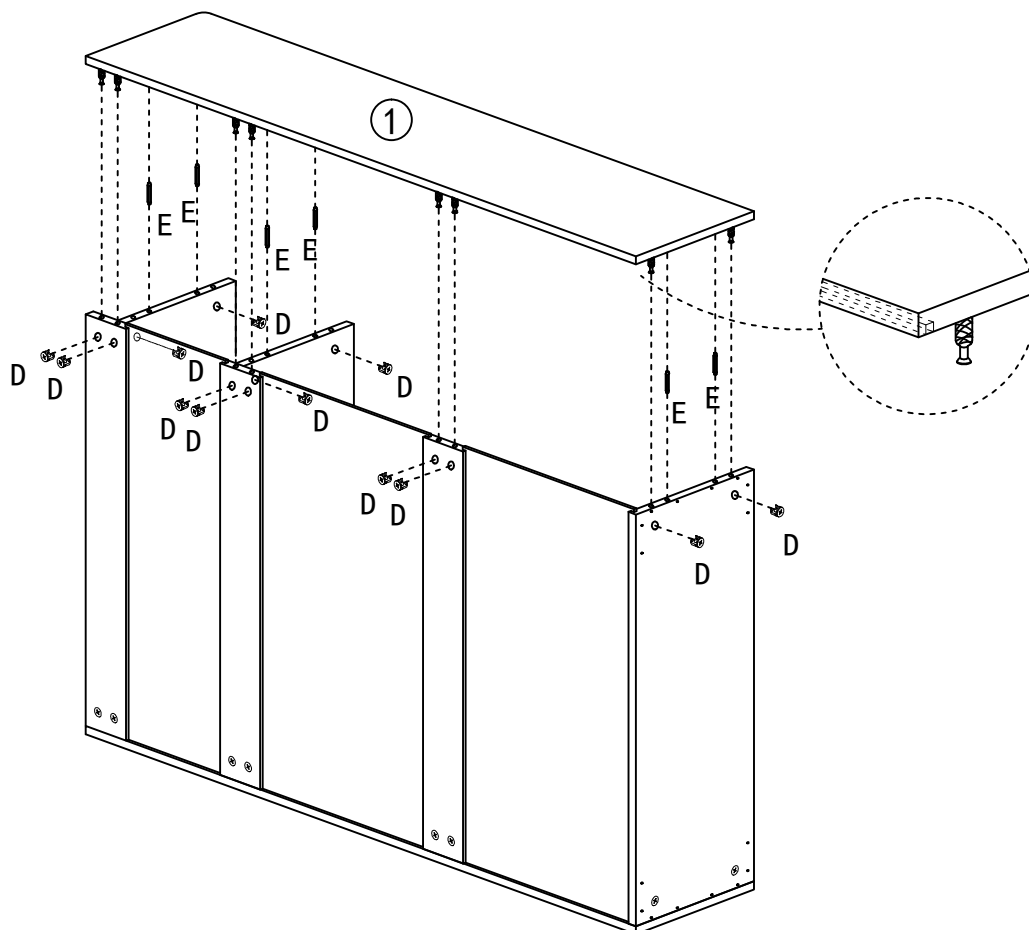
⑤		*1
⑥		*2
D		*6

## STEP5:



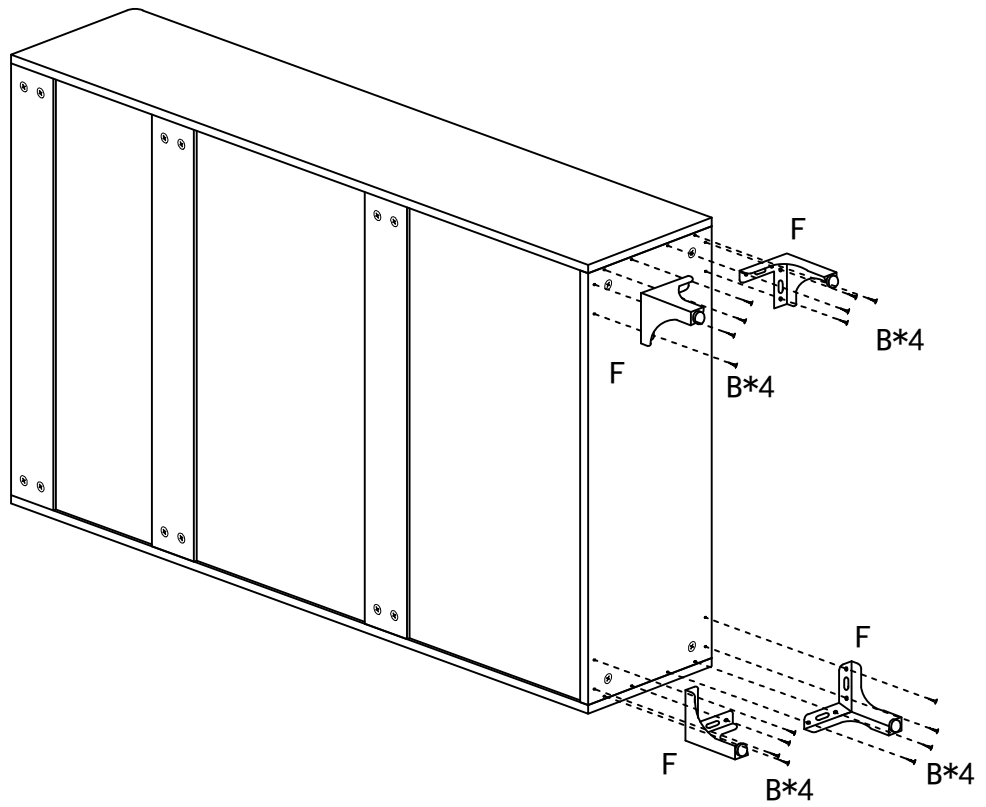
⑦		*1
⑧		*2



## STEP6:



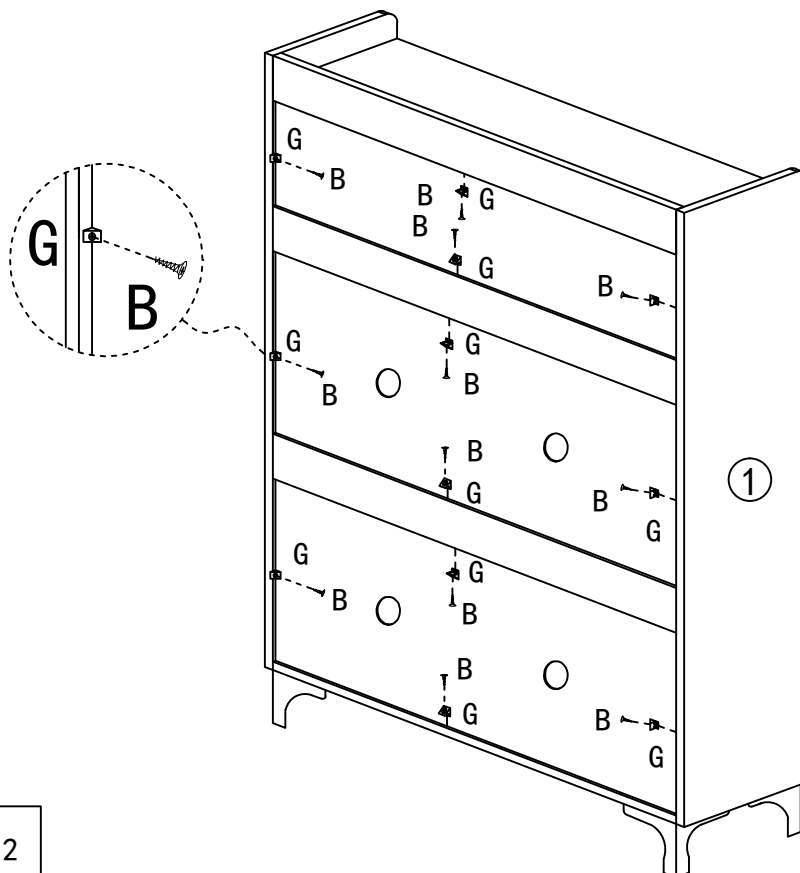
D		*12
E		*6



# STEP7:



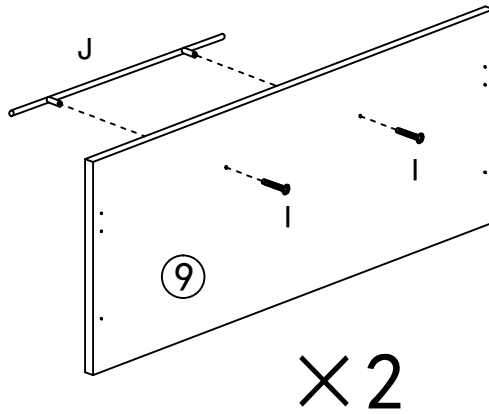
B		*16
F		*4

# STEP8:



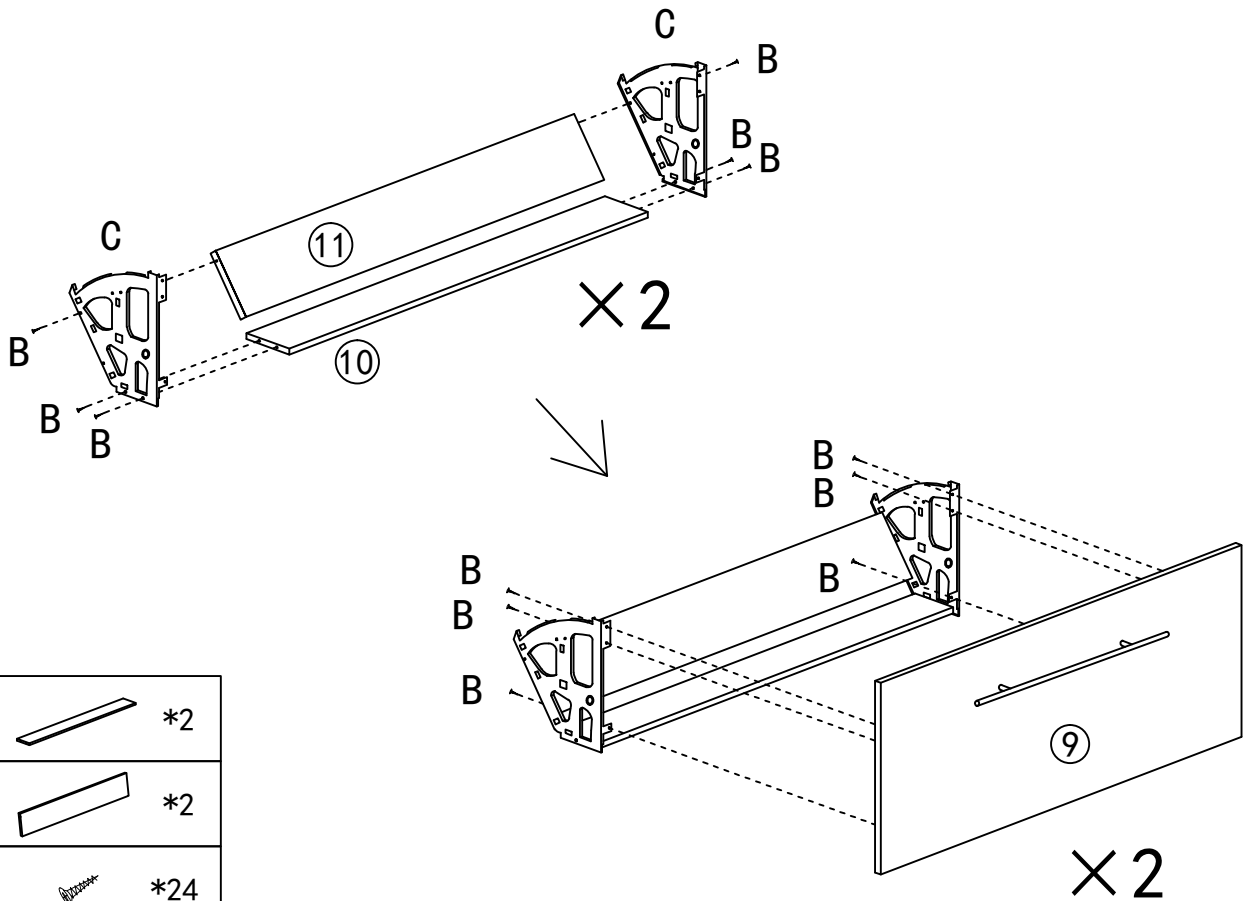
B		*12
G		*12

STEP9:



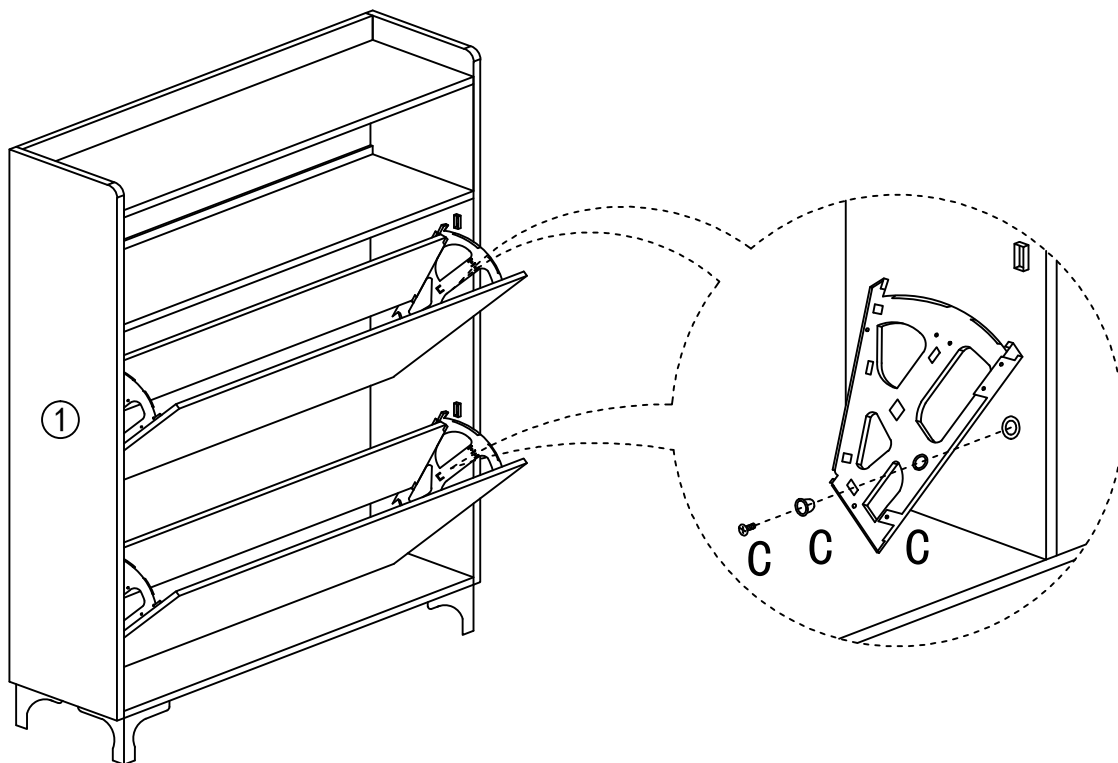
⑨		*2
I		*4
J		*2

STEP10:



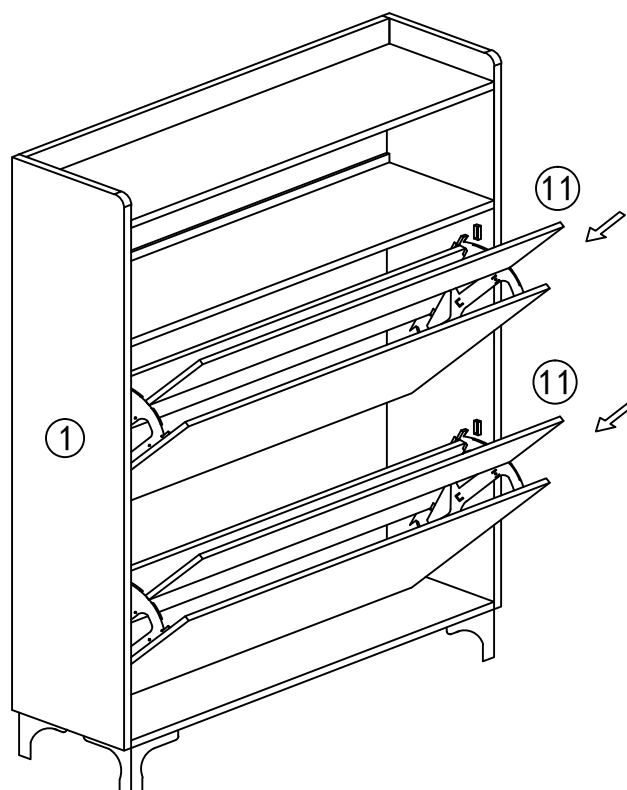
⑩		*2
⑪		*2
B		*24
C		*2


# STEP11:



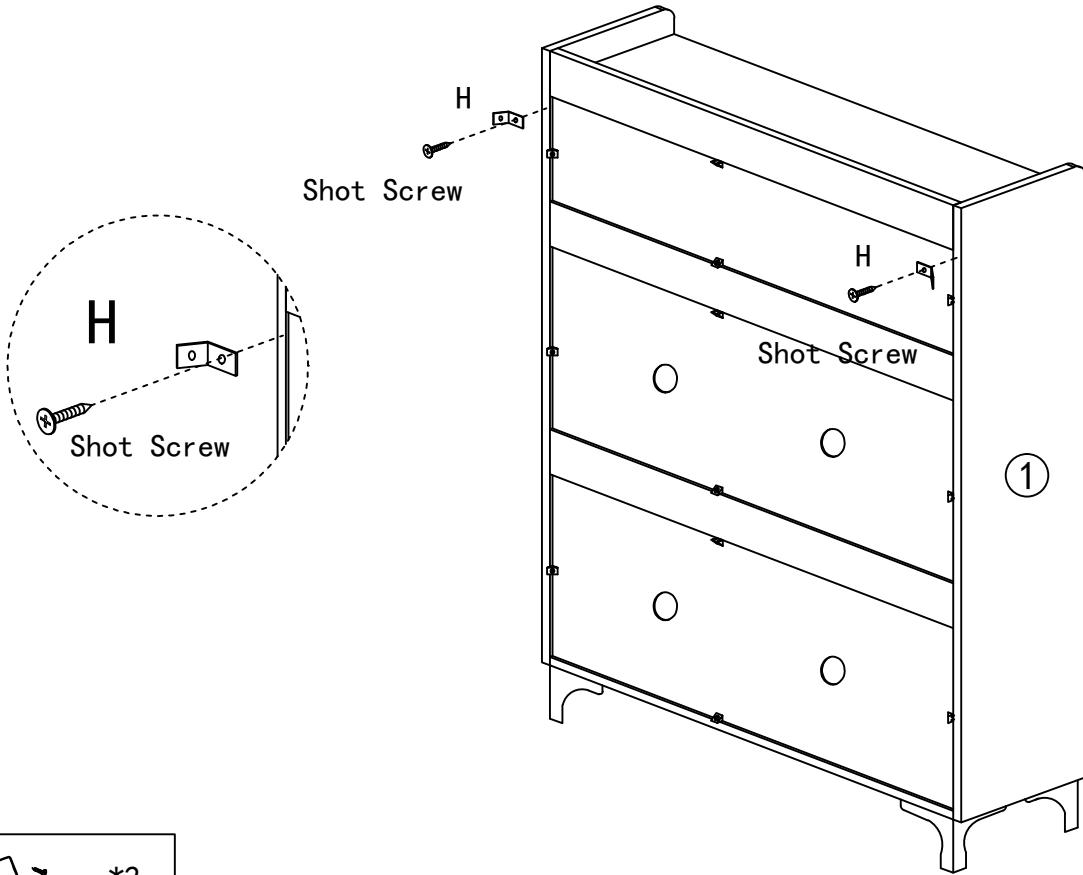
C		*2
---	---	----

# STEP12:



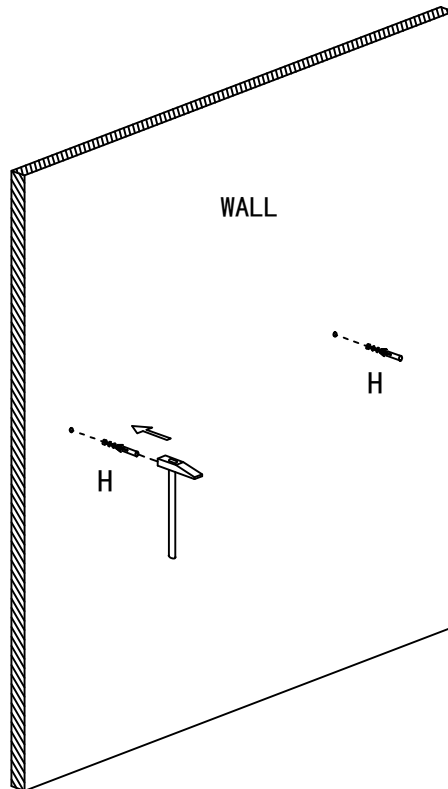
11		*2
----	---	----

# STEP13:



H	 *2
---	--

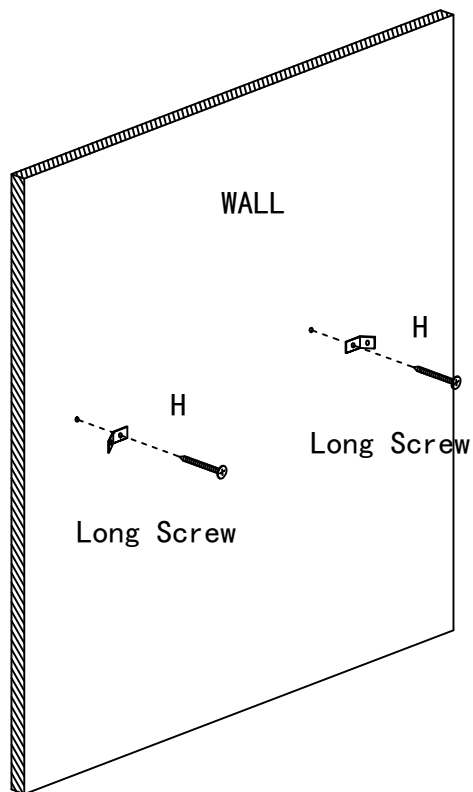
# STEP14:



Ø8mm hole on the wall, depth 50mm

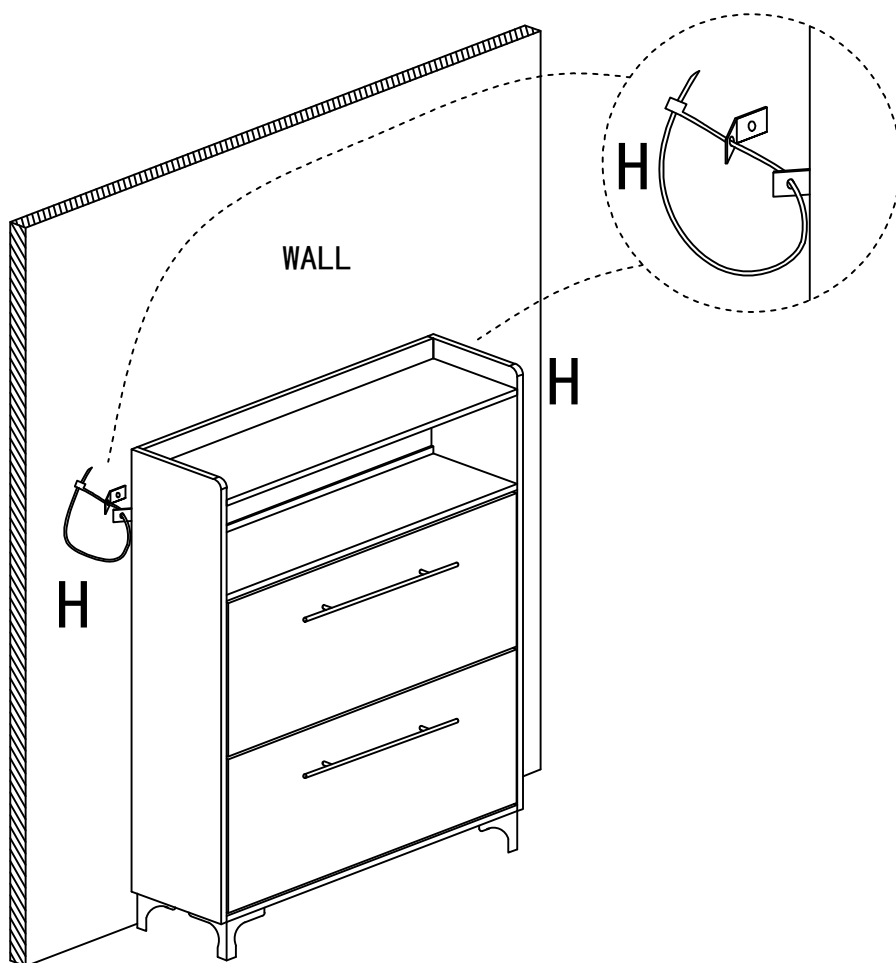
H	 *2
---	--

# STEP15:



H	 *2
---	--

# STEP16:



Installation Completed

H	 *2
---	--