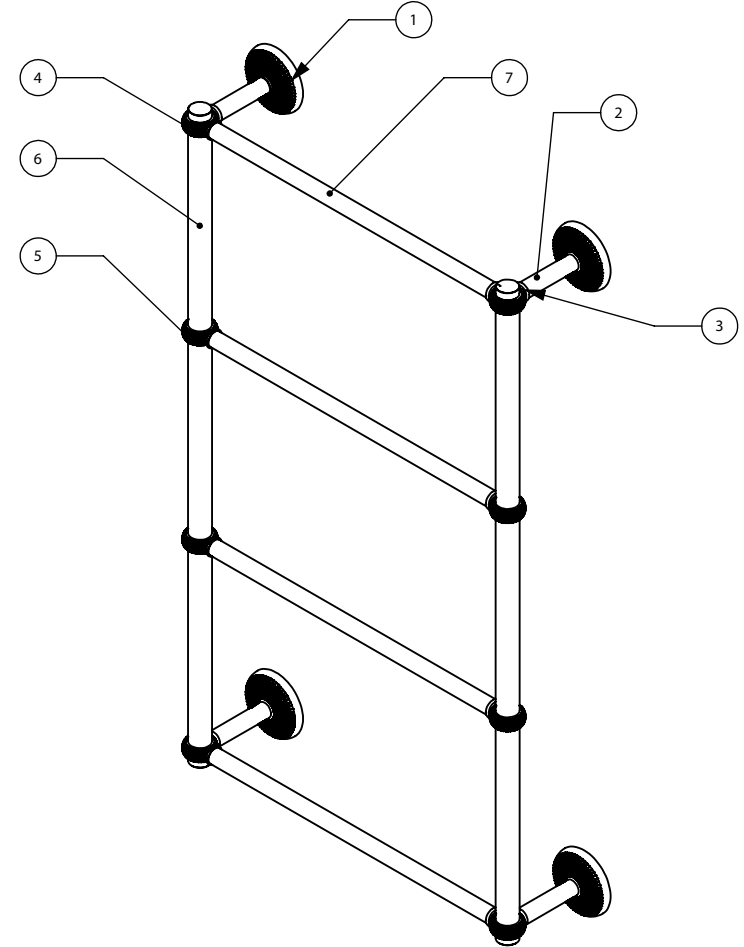
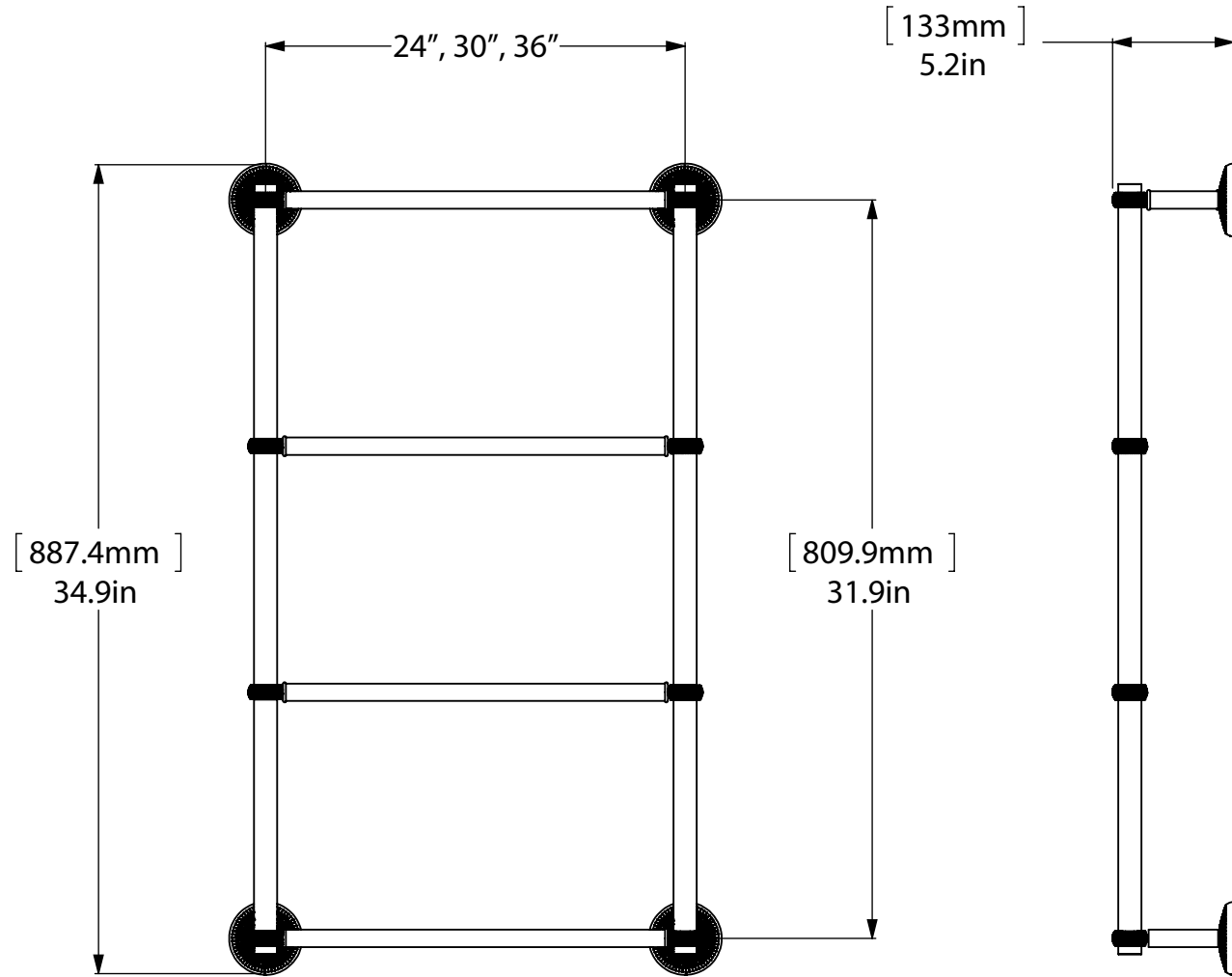
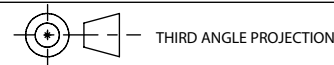


ITEM NO.	P/N	Description	QTY.
1	BPMC	BACKPLATE	4
2	TU34-3	POST	4
3	CRRD-34	CHECK RING	20
4	RGTWTD	HUB	4
5	RGTWT	HUB	4
6	TU1-10	TUBE	6
7	TU34-24,30,36	BAR	4



UNLESS OTHERWISE STATED

.X	$\pm .3\text{mm}$
.XX	$\pm .15\text{mm}$
.XXX	$\pm .008\text{mm}$



MATERIAL:	BRASS
DESCRIPTION:	4 Tier Ladder Towel Bar