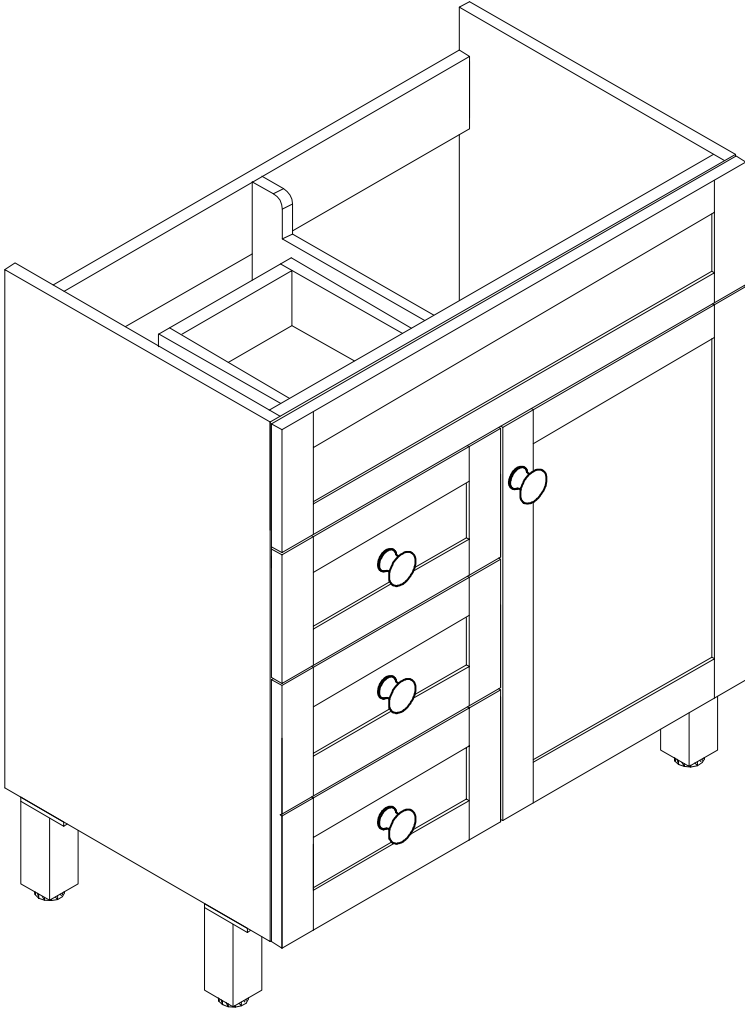
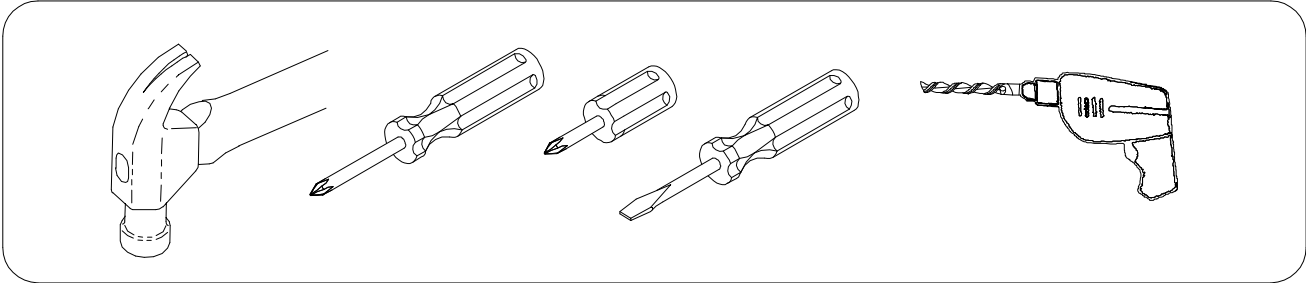


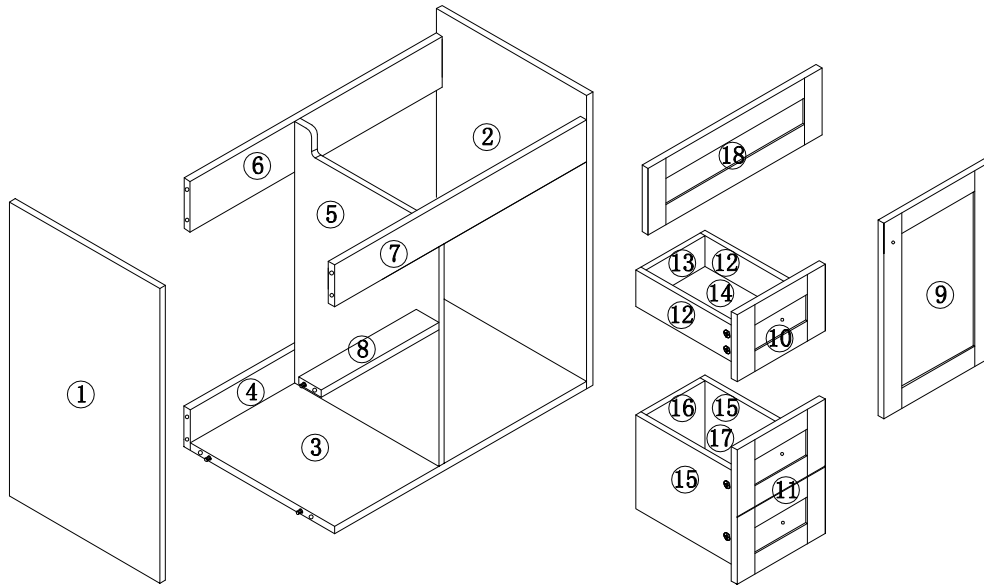
# DIMENSIONS



## YOU MAY NEED (NOT SUPPLY)


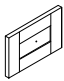

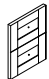
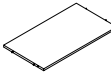

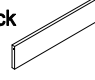
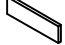
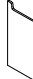
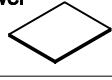
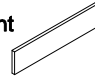
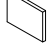
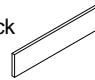
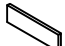

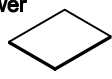

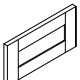


# ASSEMBLY DIAGRAM












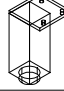


## PARTS LIST

### PARTS LIST

NO	DESCRIPTION	QTY	NO	DESCRIPTION	QTY
①	Left side panel 	1	⑩	Left Drawer front panel 	1
②	Right side panel 	1	⑪	Right Drawer front panel 	1
③	Bottom panel 	1	⑫	Drawer side panel 	2
④	Lower back panel 	1	⑬	Left Drawer rear panel 	1
⑤	Center partition Panel 	1	⑭	Left Drawer bottom panel 	1
⑥	Upper front panel 	1	⑮	Drawer side panel 	2
⑦	Upper back panel 	1	⑯	Left Drawer rear panel 	1
⑧	Left front center plate 	1	⑰	Left Drawer bottom panel 	1
⑨	Right door panel 	1	⑱	Front baffle panel 	1

## PARTS LIST

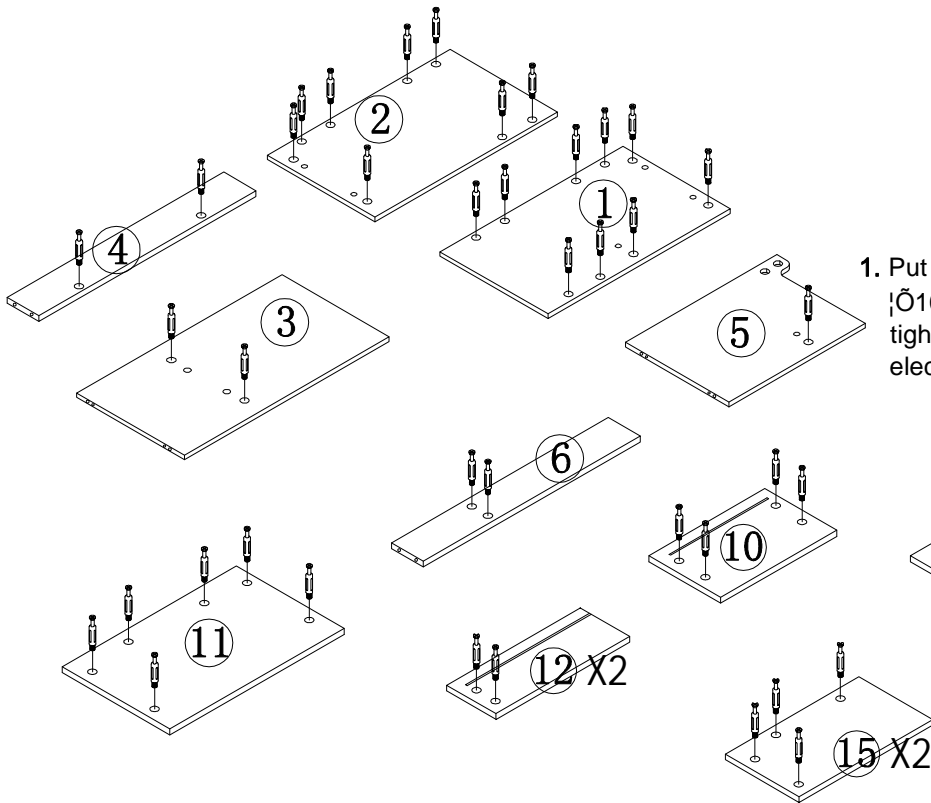
### HARDWARE LIST


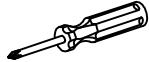
NO	DESCRIPTION	QTY	NO	DESCRIPTION	QTY
A	Three-in-one eccentric wheel 	53	G	4*18mm screw 	3
B	Three-in-one connecting rod 	53	H	4*23mm screw 	1
C	Three-in-one sticker 	53	I	Door handle 	1
D	8*40mm wood dowel pins 	8	J	Drawer handle 	3
E	Drawer slides 	4	K	Aluminum alloy leg 	4
F	4*16mm screw 	40	L	Door hinge 	2

CAUTION:

Please confirm the parts list before installation

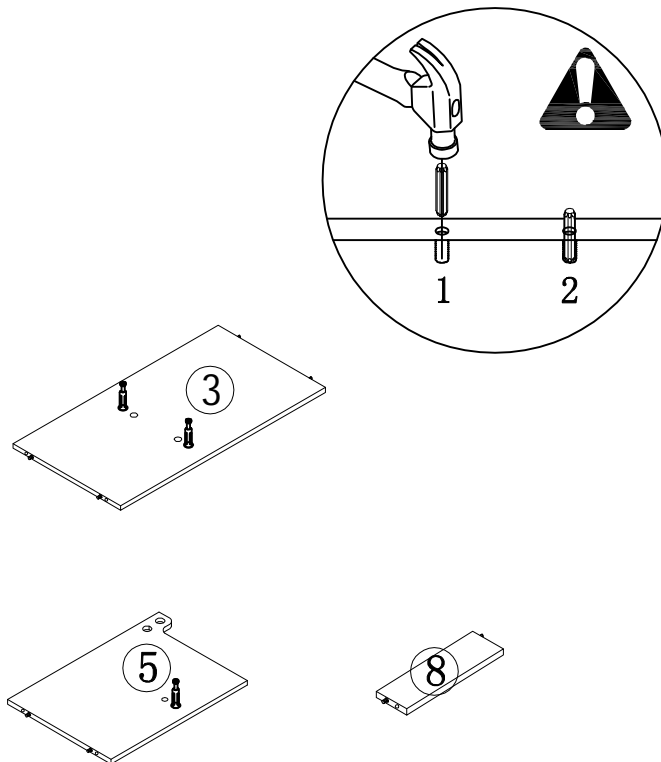
# STEP 1




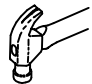
HARDWARE LIST	
Three-in-one connecting rod B  52 PCS	

1. Put the three-in-one connecting rod in the  $\varnothing 10\text{mm}$  hole of the following panels and tighten them with a cross screwdriver or an electric tool.

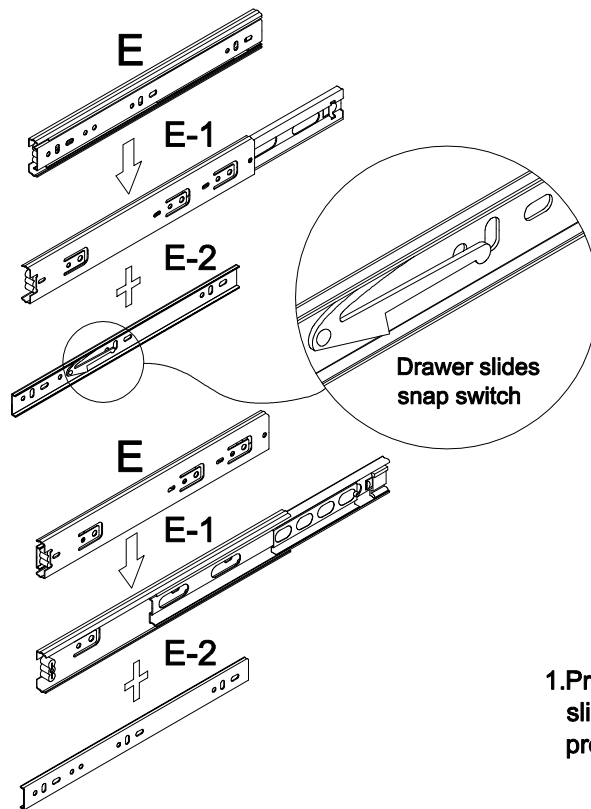
# STEP 2



1. Strike the  $\varnothing 8 \times 40\text{mm}$  wood dowel pin into the  $\varnothing 8\text{mm}$  hole of the above panels with an iron hammer. Please note that the hole of the three-in-one connecting rod should also be 8mm. The hole of the three-in-one connecting rod connects to the hole of  $\varnothing 15\text{mm}$  three-in-one eccentric wheel.

HARDWARE LIST	
8*40mm wood dowel pins D  8 PCS	

# STEP 3

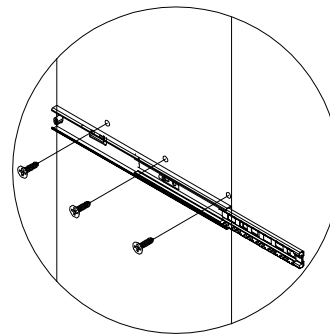
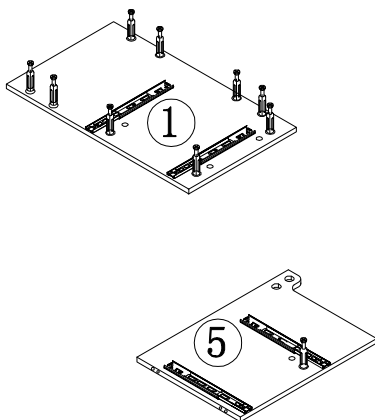


HARDWARE LIST	
Drawer slides	
E  4 PCS	

1. Press the slide snap switch, disassemble side blocks and put them in a place properly for further use.

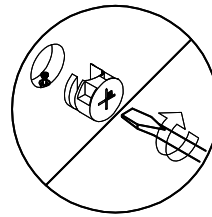
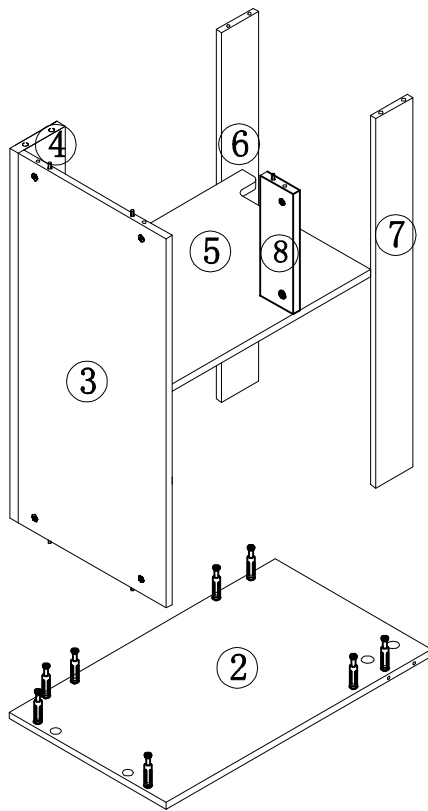
# STEP 4

1. Fix the drawer slide to the side panel with 4\*16mm screws.

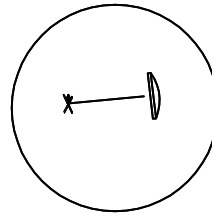


HARDWARE LIST		
4*16mm screw	Drawer slides	
F  12PCS	E-1  4PCS	




# STEP 5



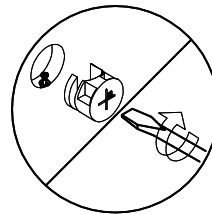
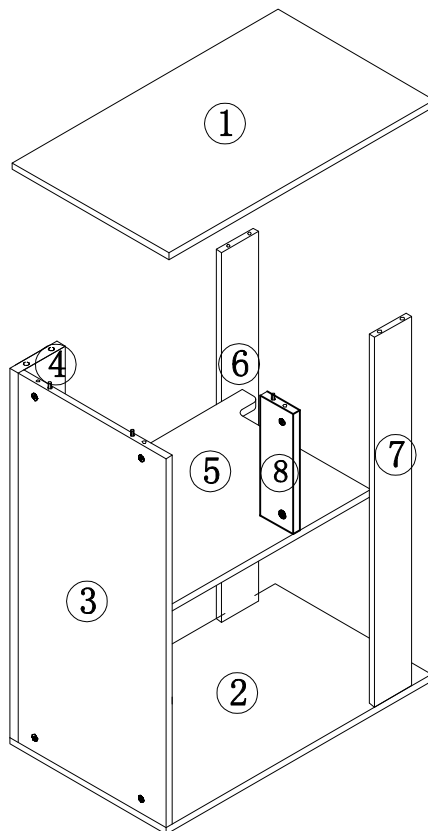
1. Connect No. 3-6-7-8 panel to No.2 panel tightly with the three-in-one eccentric wheel.



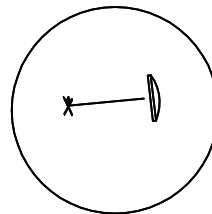
2. Cover the mounting hole of the eccentric wheel with a three-in-one sticker.

HARDWARE LIST		
Three-in-one eccentric wheel A  11PCS	Three-in-one sticker C  11PCS	


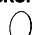

# STEP 6



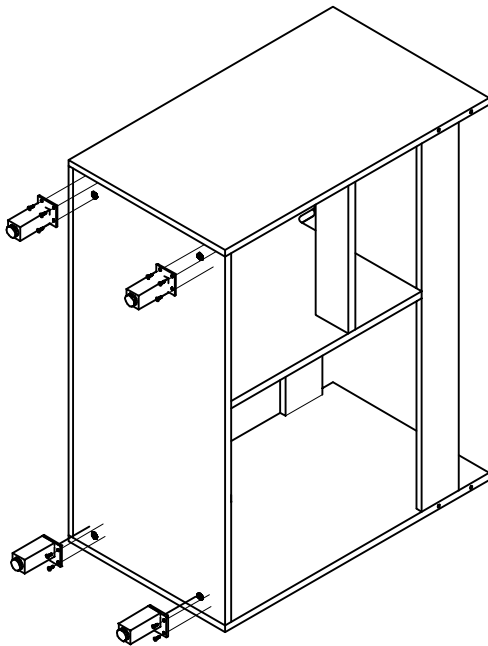
1. Connect No. 1 panel to No. 3-4-6-7-8 panel tightly with the three-in-one eccentric wheel.



2. Cover the mounting hole of the eccentric wheel with a three-in-one sticker.

HARDWARE LIST		
Three-in-one eccentric wheel A  9PCS	Three-in-one sticker C  9PCS	

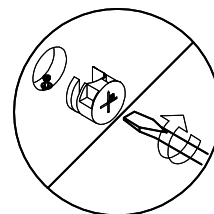
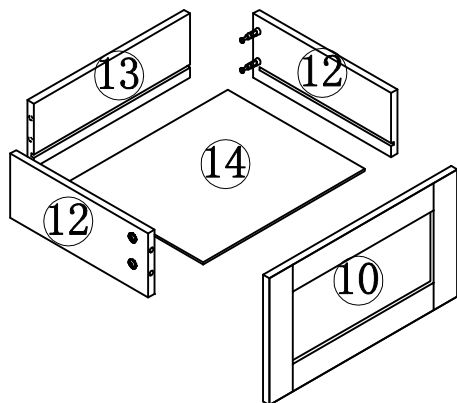
# STEP 7



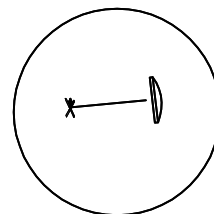
1. Fix feet of the cabinet with 4\*16mm screws.

HARDWARE LIST		
4*16mm screw	Aluminum alloy leg	
F  12PCS	K  4PCS	

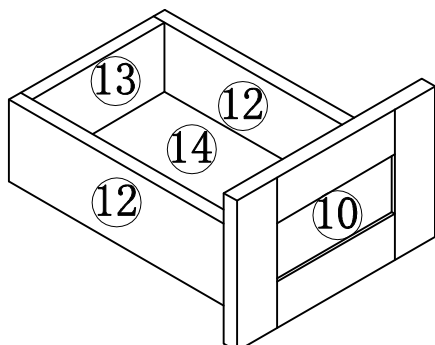
# STEP 8

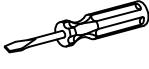

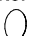


1. Install No. 12-14-15-16 panels with the three-in-one eccentric wheel tightly.

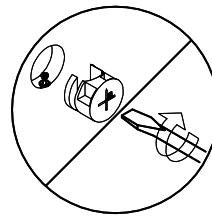
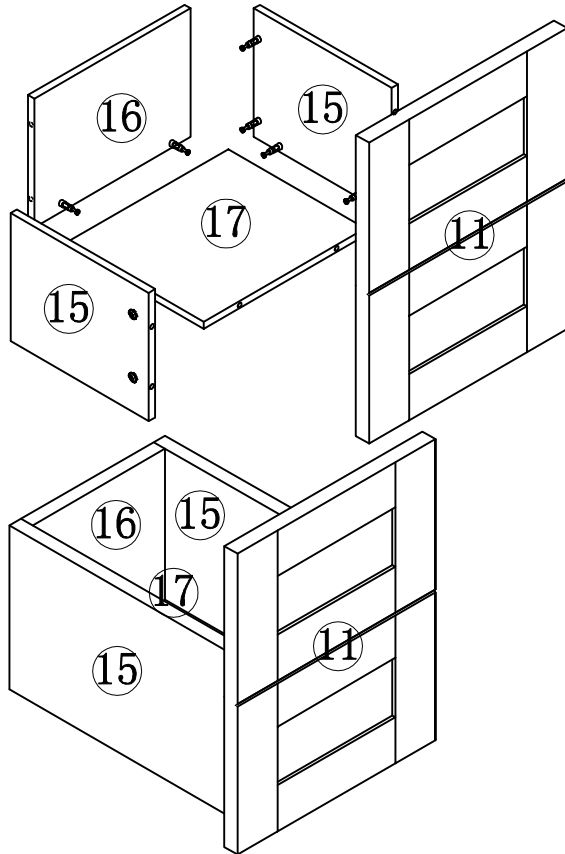


2. Cover the mounting hole of the eccentric wheel with a three-in-one sticker.

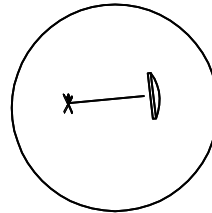


HARDWARE LIST		
Three-in-one eccentric wheel	Three-in-one sticker	
A  8PCS	C  8PCS	

## STEP 9






1. Install No. 13-14-17-18 panels with the three-in-one eccentric wheel tightly.

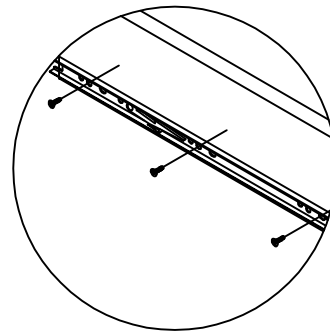
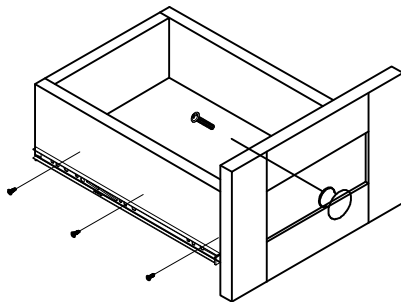


2. Cover the mounting hole of the eccentric wheel with a three-in-one sticker.

### HARDWARE LIST

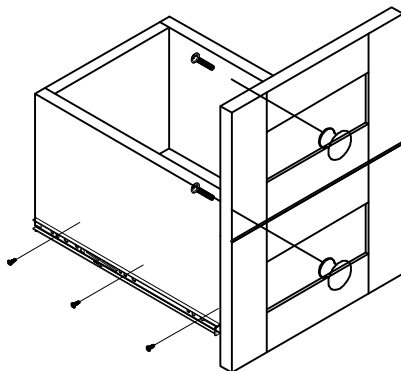
Three-in-one eccentric wheel A  16PCS	Three-in-one sticker C  16PCS	
--	--	--

## STEP 10








1. Lock the spare drawer slide block to the drawer.

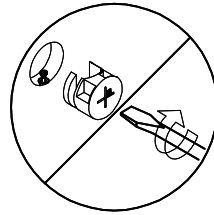
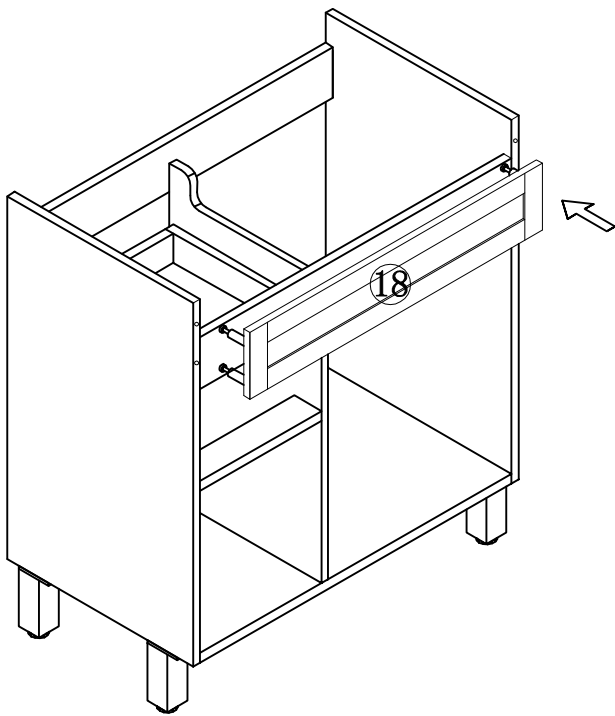
2. Install the drawer handle with 4\*18 handle screws.



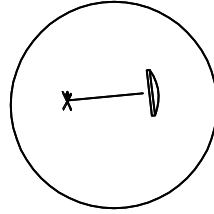
### HARDWARE LIST

4*16mm screw F  12PCS	Drawer slides E-2  4PCS	
4*18mm screw H  3PCS	Drawer handle J  3PCS	




# STEP 11



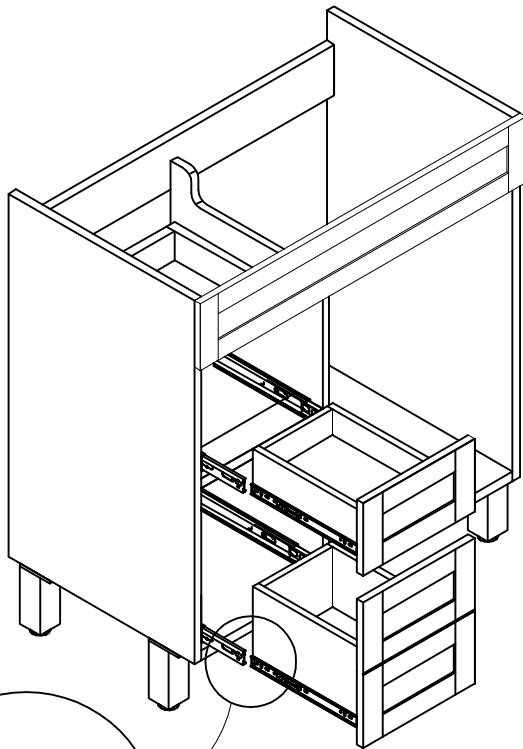
1. Install No.9 panels with the three-in-one eccentric wheel tightly.



2. Cover the mounting hole of the eccentric wheel with a three-in-one sticker.

HARDWARE LIST		
Three-in-one eccentric wheel A  4PCS	Three-in-one sticker C  4PCS	

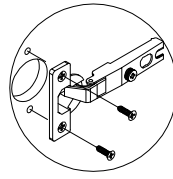
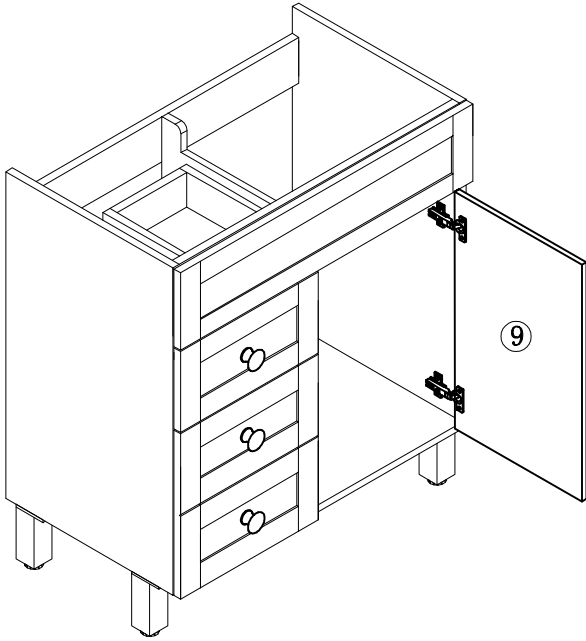
# STEP 12



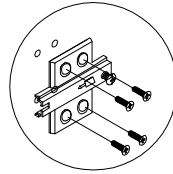
1. Align slide block with the trough on the guide rail, press the snap switch and press it forward to install the drawer.

2. Install drawer handles.

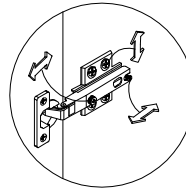
# STEP 13



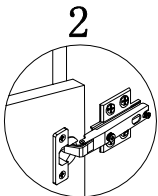
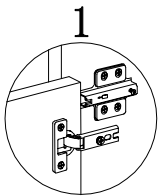
1. Install the hinge cup to the door panel with 4\*16mm screws.



2. Install the hinge to the side panel with 4\*16mm screws.



4. Adjust the door panel clearance.

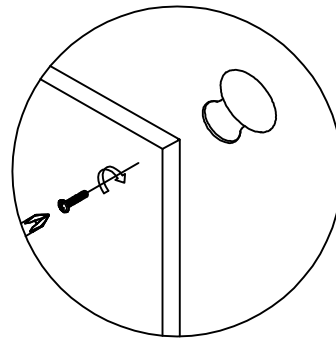
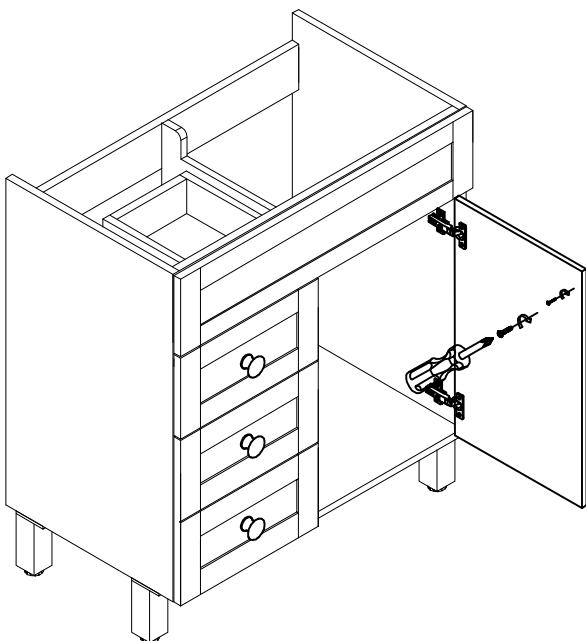


3. Install the hinge cup on the door panel to the hinge of the side panel.

## HARDWARE LIST

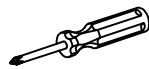


4*16mm screw	Door hinge	
F  12PCS	L  2PCS	

# STEP 14



1. Install the door handle with 4\*23 handle screws.

## HARDWARE LIST

4*23mm screw	Door handle	
G  1PCS	I  1PCS	



**Choking hazard-Small Parts :** This unit contains small parts, not for children under 3 years.

**Tip-over hazard :** Secure finished unit to wall stud using L-Bracket and wall screw (#10\*1.5"W/out provided). If a wall stud is not neccessible , Consault your local hardware store for appropriate mounting hardware . Failure to properly install will result in product collapse or tip-over. Serious injury can occur .