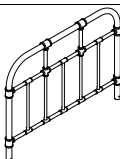
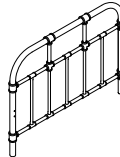

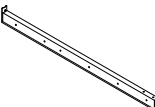
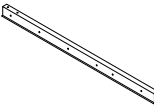
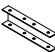
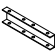
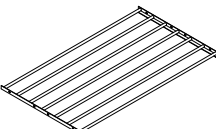



ASSEMBLY INSTRUCTION FOR ACME FURNITURE




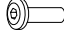





MODEL# 30730T Twin Size Water Pipe Metal Bed

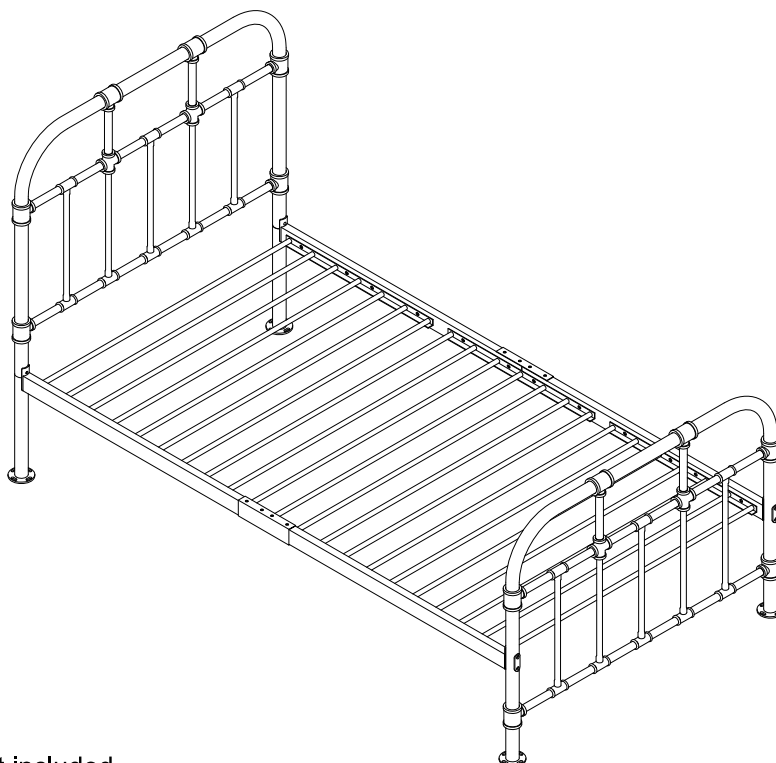
Thank you for purchasing this quality product. Be sure to check all packing materials carefully for small parts which may have come loose inside the carton during shipment. Separate, identify, and count all parts and metal hardware. Compare with parts list to be sure all parts are present. If any part(s) are missing or damaged, please contact your local furniture dealer. For efficient and speedy service, please indicate the model number and code letter of the part(s) needed.

***** Do not fully tighten screws until fully assembled *****

COMPONENT PARTS		
DECERPTION	PART NAME	Q'TY(PCS)
①	The Front of The Bed 	1pc
②	The End of The Bed 	1pc
③	Upright Tube 	2pcs
④	Bed Tube 4# 	2pcs
⑤	Bed Tube 5# 	2pcs
⑥	Outside Fitting 	2pcs
⑦	Inside Fitting 	2pcs
⑧	Bed Board 	3pcs
⑨	Foot 	4pcs

⑩	Gasket		4pcs
---	--------	---	------

HARDWARE REQUIRED:	
(A) 	Bolt 1/4"x5/8" - 20pcs
(B) 	Bolt 1/4"x1-1/8" - 4pcs
(C) 	Bolt 1/4"x2-3/8" - 4pcs
(D) 	Nut M6x27 - 4pcs
(E) 	Bolt 1/4"x1" - 4pcs
(F) 	Bolt 5/16"x5/8" - 16pcs
(G) 	Cushion Ø40x1.5 - 4pcs
(H) 	Allen Wrench M5 - 1pc
(I) 	Allen Wrench M4 - 2pcs



Attention:

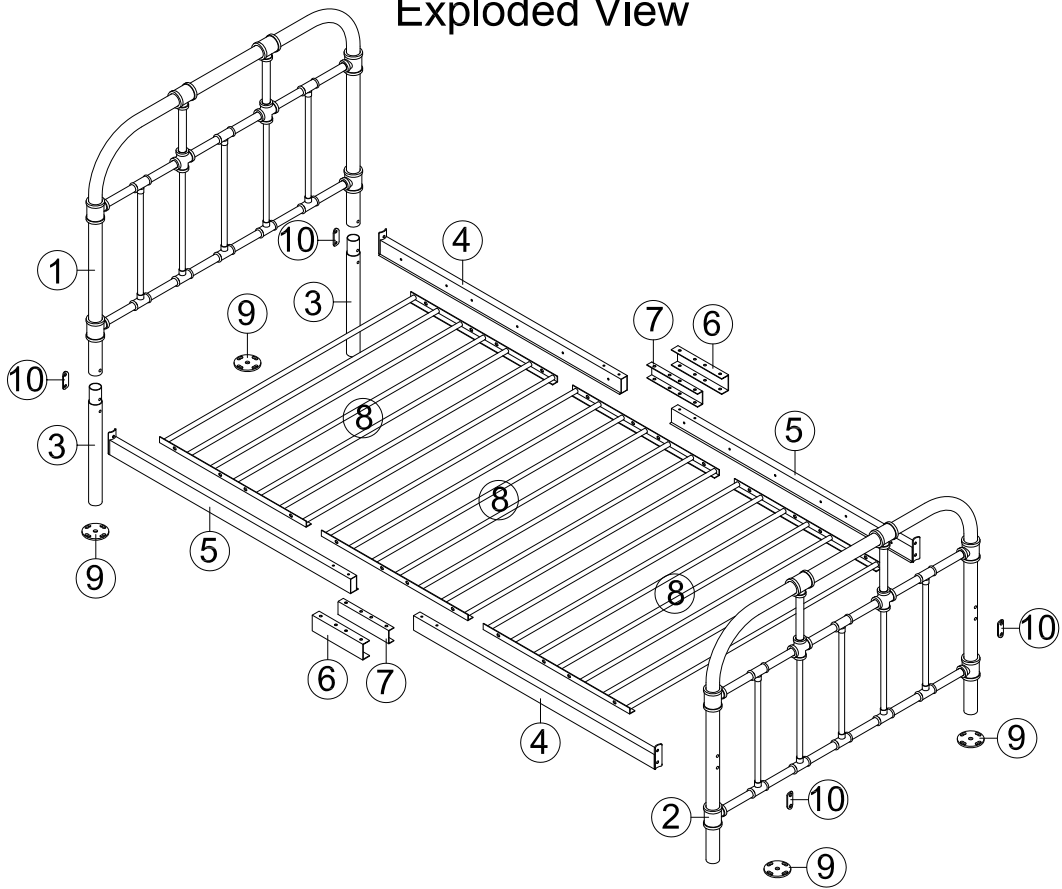
***Mattresses not included.

***Some number parts listed on the instruction sheet may not be in parts bag as they may already be assemble. Carefully check parts and packing materials prior to ordering replacements.

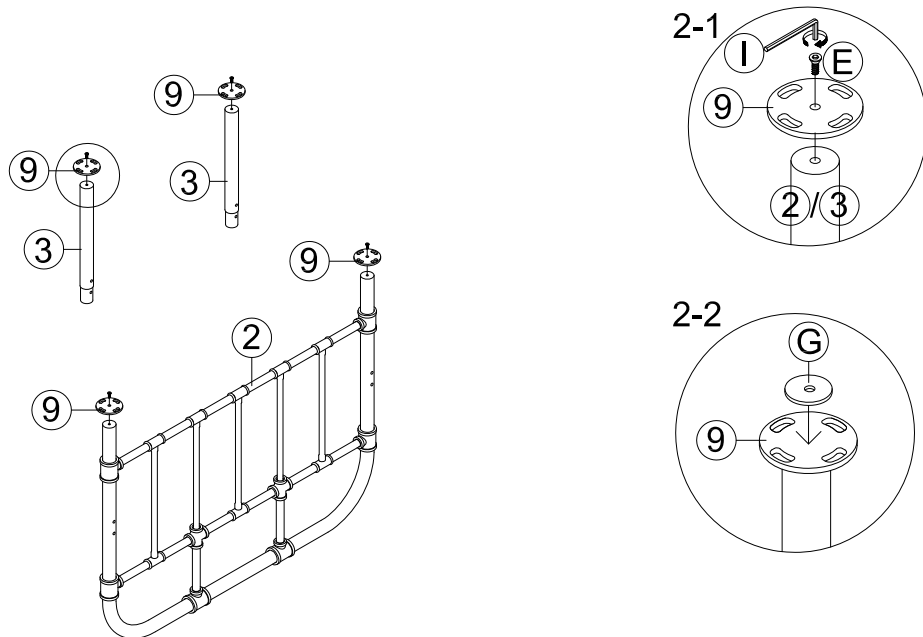
How to Assemble:



STEP 1.

Exploded View



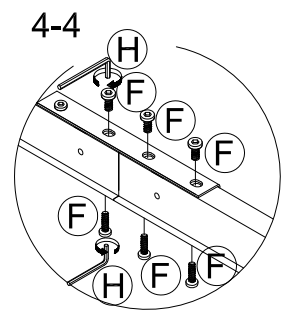
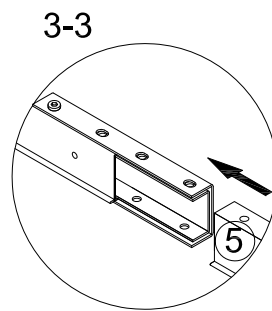
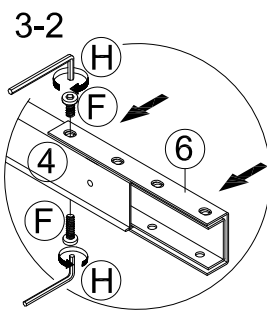
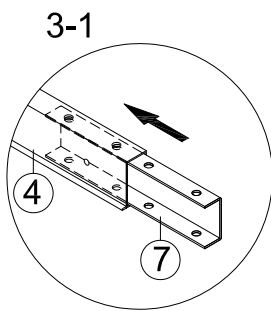
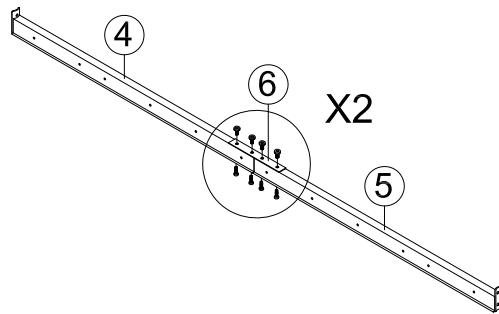
STEP 2.



E		4pcs
G		4pcs

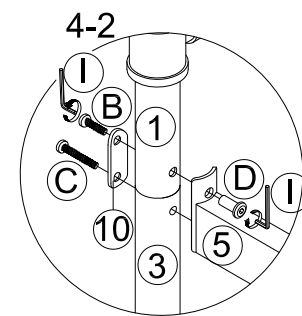
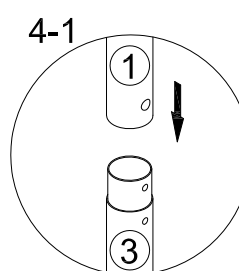
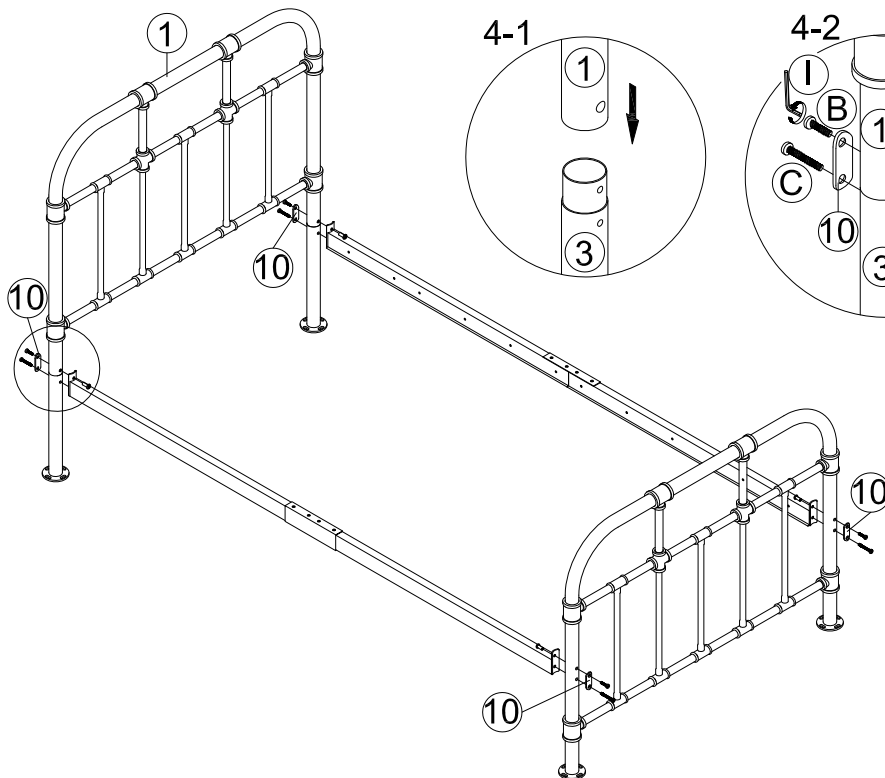
How to Assemble:

STEP 3.



(F) (H) 16pcs

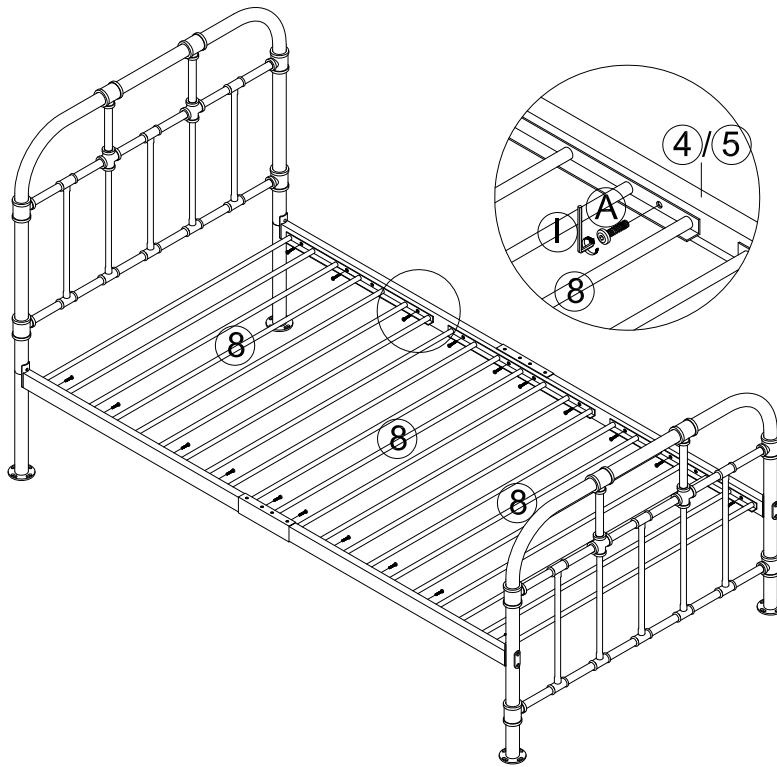
STEP 4.



(B) (H) 4pcs
 (C) (H) 4pcs
 (D) (H) 4pcs

How to Assemble:

STEP 5.



A  20pcs

STEP 6.

