

4-Light Fabric Shade Semi-Flush Mount Ceiling Light

Caution: Please turn off power before installation and read the manual carefully, we advise you contact professional electricians to install for safety purpose.

Product Features

Style: Modern / Industrial

Material: Metal, Glass

Base Type: E12

Light Source Included: No

Voltage: 120 VAC

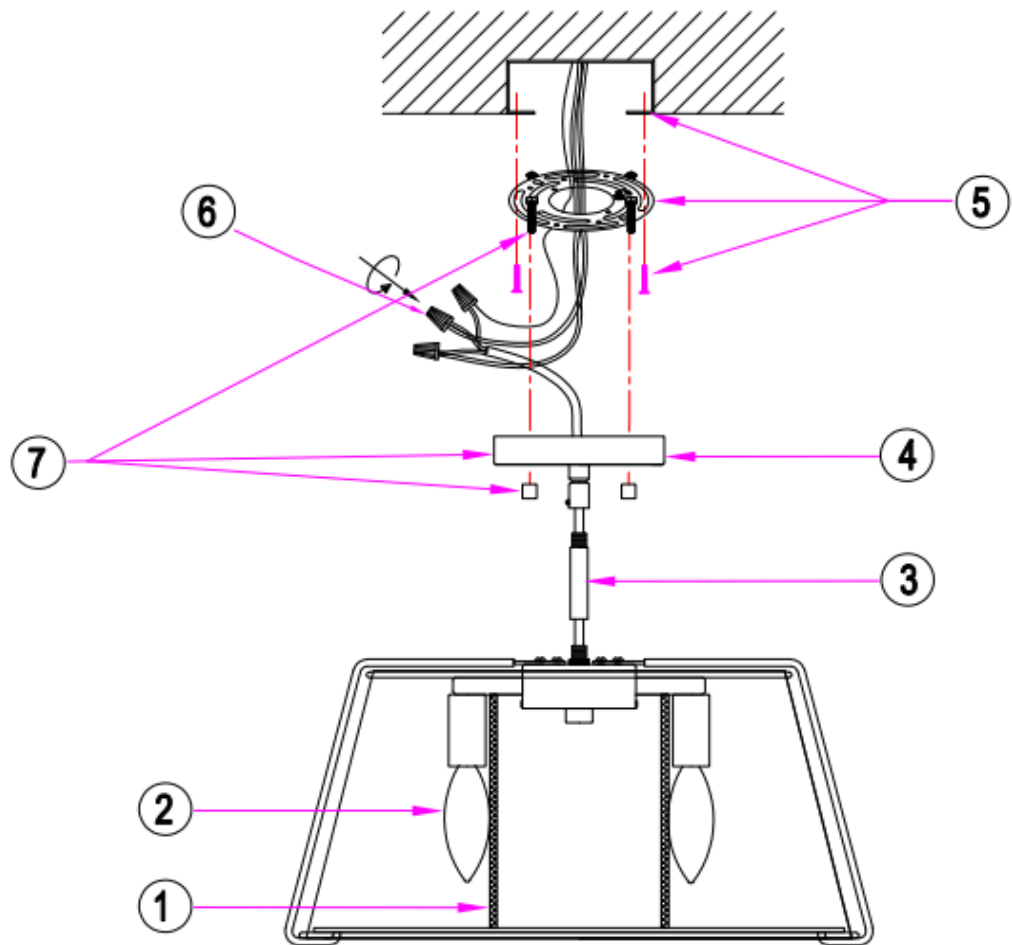
Wattage: 40 W

Package includes

1 x Flush Mount Light

1 x Accessories Kit

1 x User's Manual



Installation Instructions:

1. Remove and discard the protective cardboard insert inside the fixture.
2. Install the bulbs (bulbs not included).
3. Feed the wires and ground wire through the center rod, then secure the center rod to the fixture body.
4. Feed the wires and ground wire through the canopy, then attach the canopy to the center rod.
5. Remove the mounting plate assembly from the canopy, then secure it to the junction box using junction box screws.
6. Connect the supply wires using wire connectors (live to live, neutral to neutral, ground to ground screw, Ensure all connections are secure and no bare wires are exposed).
7. Secure the fixture to the mounting plate using nuts.
8. Turn on the power to verify proper operation.

Installation complete.

Note: please use this product accordingly to its intended purpose, do not retrofit or remodeling the product. The warranty does not cover if the failure is caused by the third party product, or natural disasters.

Made in China