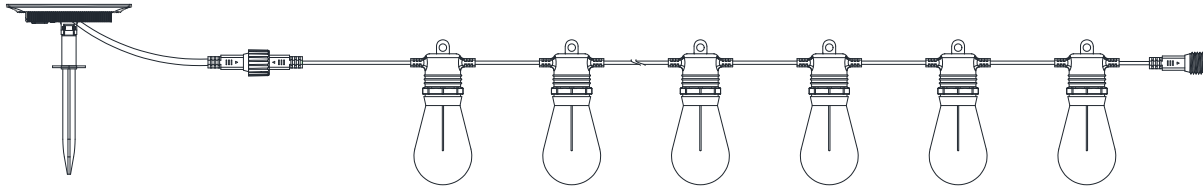
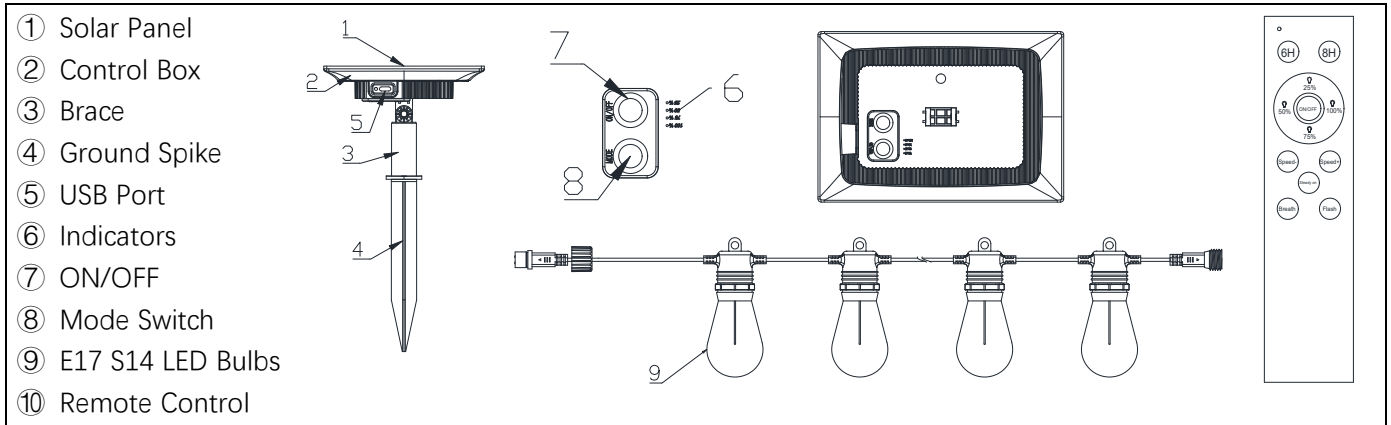


# USER'S GUIDE

## LED SOLAR STRING LIGHTS



NOTE: Please read this user's guide carefully before use and installation



### SPECIFICATION:

1. Solar Panel: 3W/5V 600mA or 2.5W/5V 500mA (depends on the model purchased)
2. Charge Cycles: 500
3. Li-ion Battery: 3600 mAh/3.7V or 2200mAh/3.7V (depends on the model purchased)
4. Bulb Lifetime: 10,000 hours
5. Charging Time: 4-6 hours (solar panel charge)  
2-3 hours (USB charge 5V 1A)
6. 3 Lighting Modes:
  - ① Constant ② Flashing ③ Breath
7. Remote Control:
  - ① ON/OFF ② Timmer ③ Brightness ④ Flashing Speed ⑤ Lighting Mode

### INSTALLATION:

1. Connect the ground spike and string lights to the control box
2. Settle the string lights and secure the control box to where the solar panel can receive enough sunlight (on the ground with the spike or on the wall with the screws)
3. Press the Power button and select the lighting mode

### ADVICES:

1. Please re-charge the product before the first use via solar panel or a 5V USB charger.  
When it's fully charged, the indicators beside the ON/OFF button will stop blinking (25% to 100%)
2. A USB charger can be used to charge the product when sunlight is not strong enough

### PACKAGE INCLUDES:

- 1\* Control Box (with Solar Panel)
- 1\* String Lights (length depends on the model purchased)
- 1\* Ground Spike
- 3\* Anchors & Screws
- 1\* Remote Control (AAA Battery not included)
- 1\* User Manual