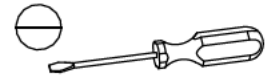
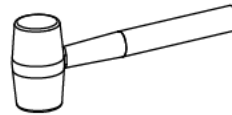
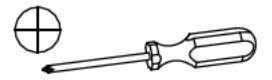
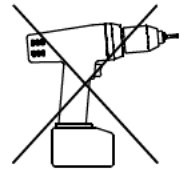
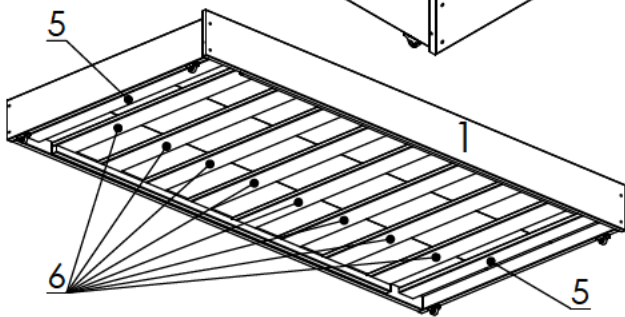
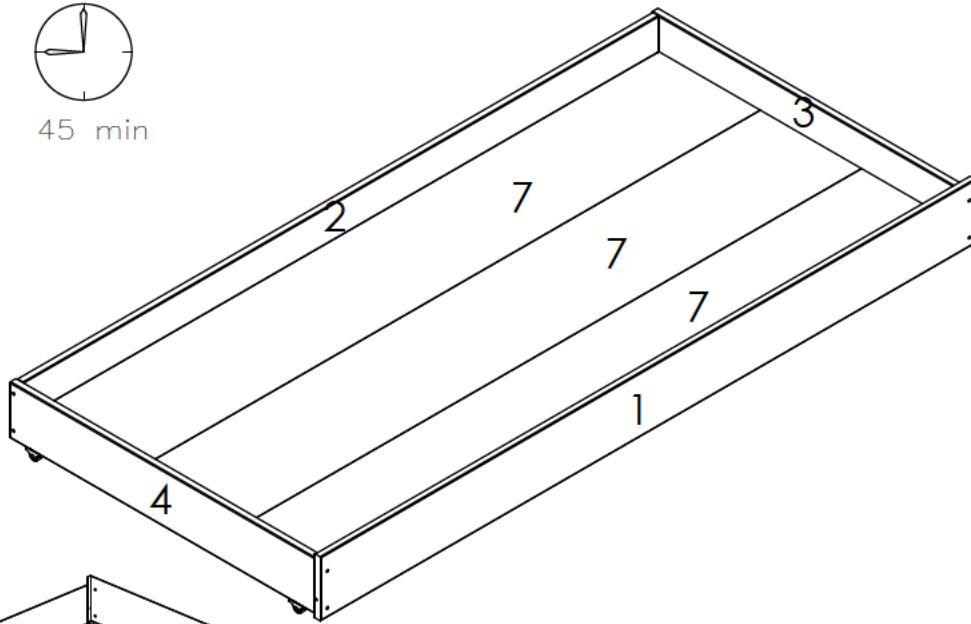




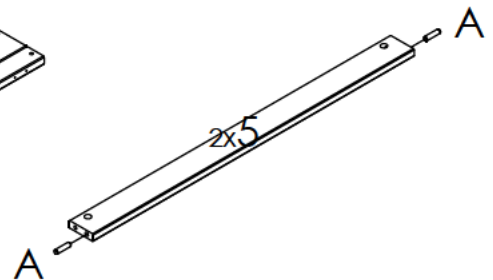
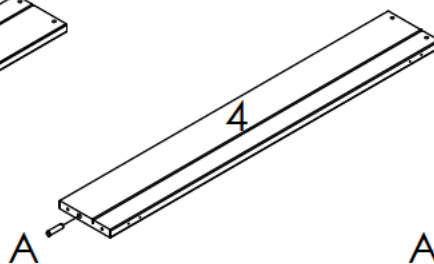
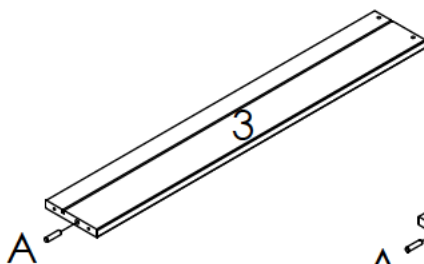
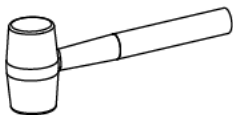
45 min



A		10x40	x6
B		7x34	x4
C		15x12	x4
D		120x30x6	x2
E		3,5x40	x16
F		1897	x2

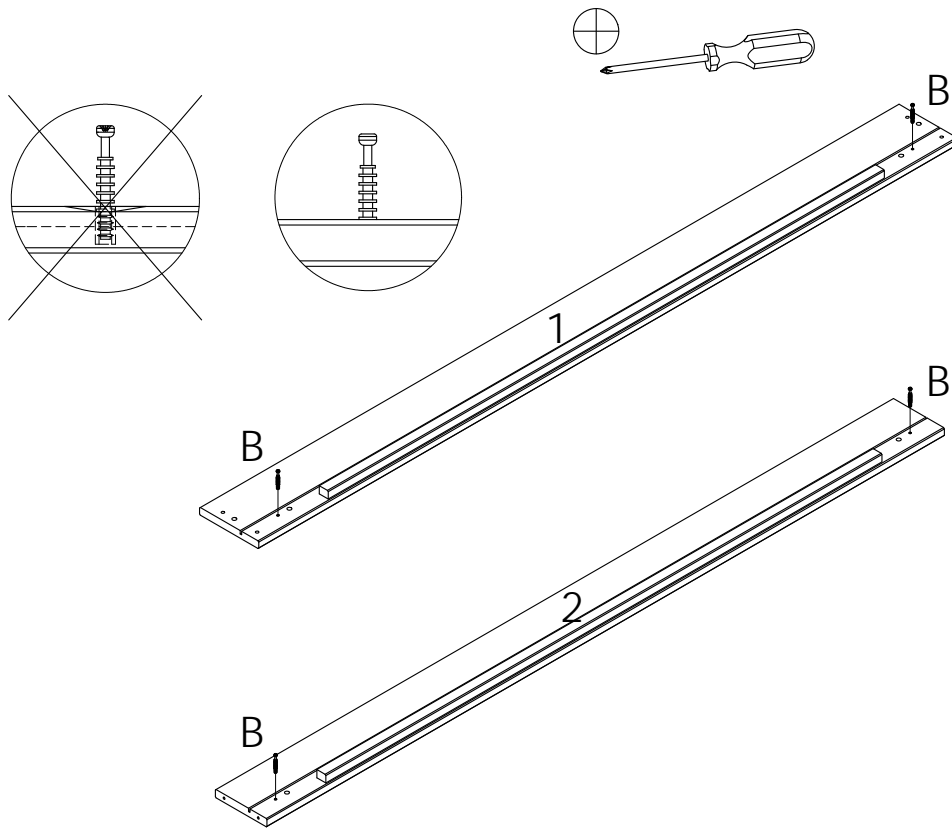
G		7x50	x8
H		D4x13	x8
J		D26	x4
K		3,5x16	x8
L		4mm	x1

①



A		10x40	x6
---	--	-------	----

②



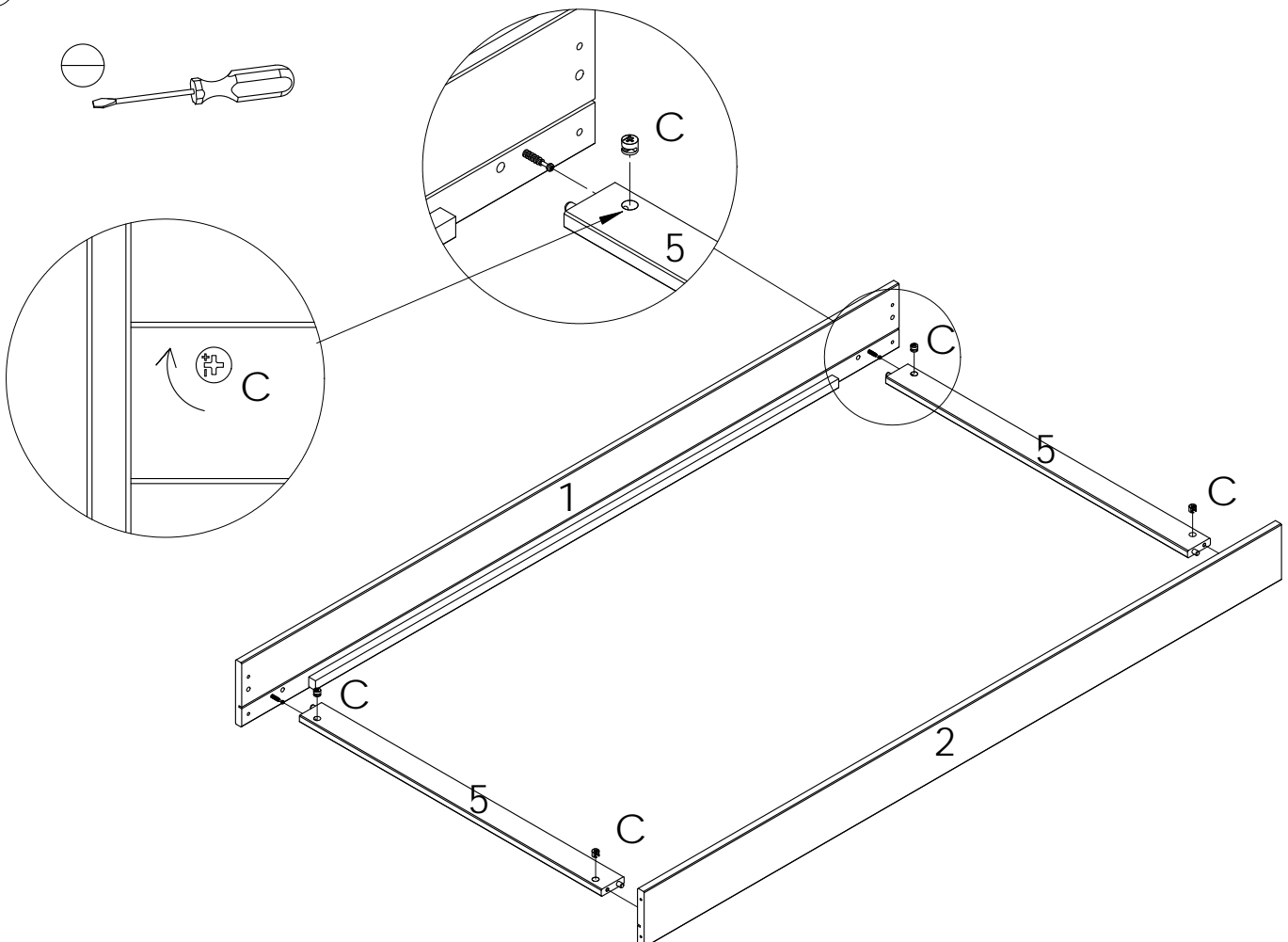
B



7x34

x4

③



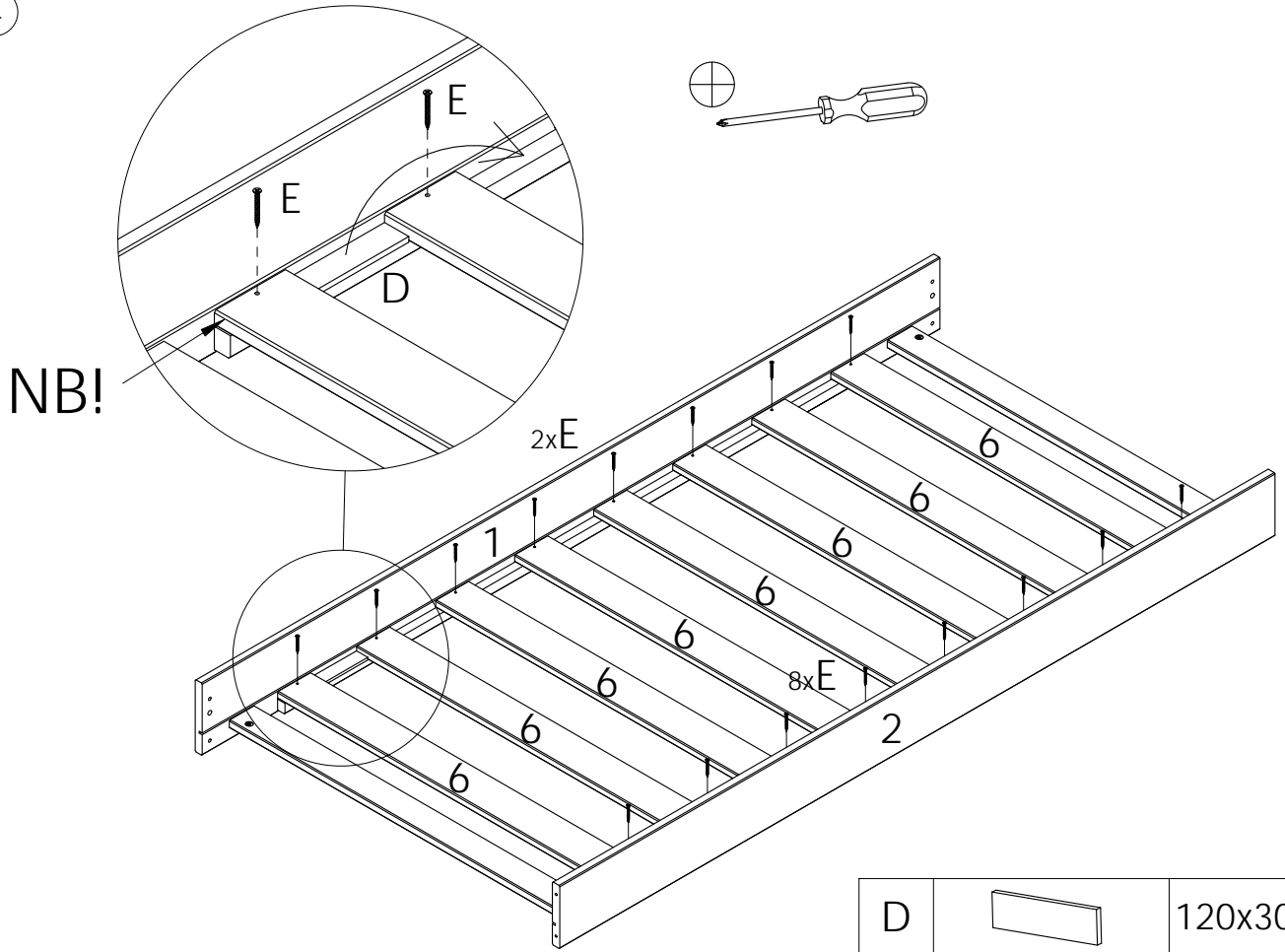
C





15x12

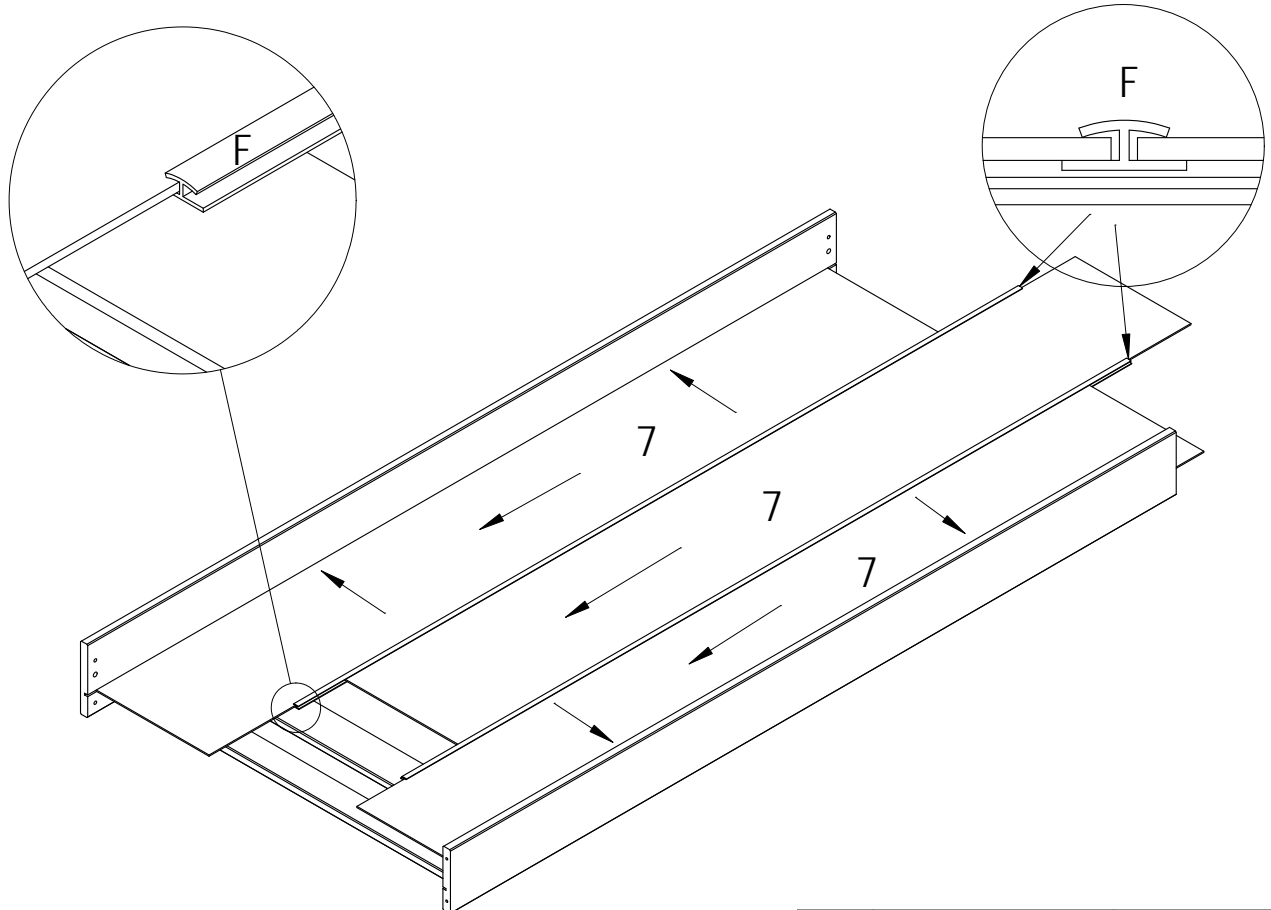
x4

4



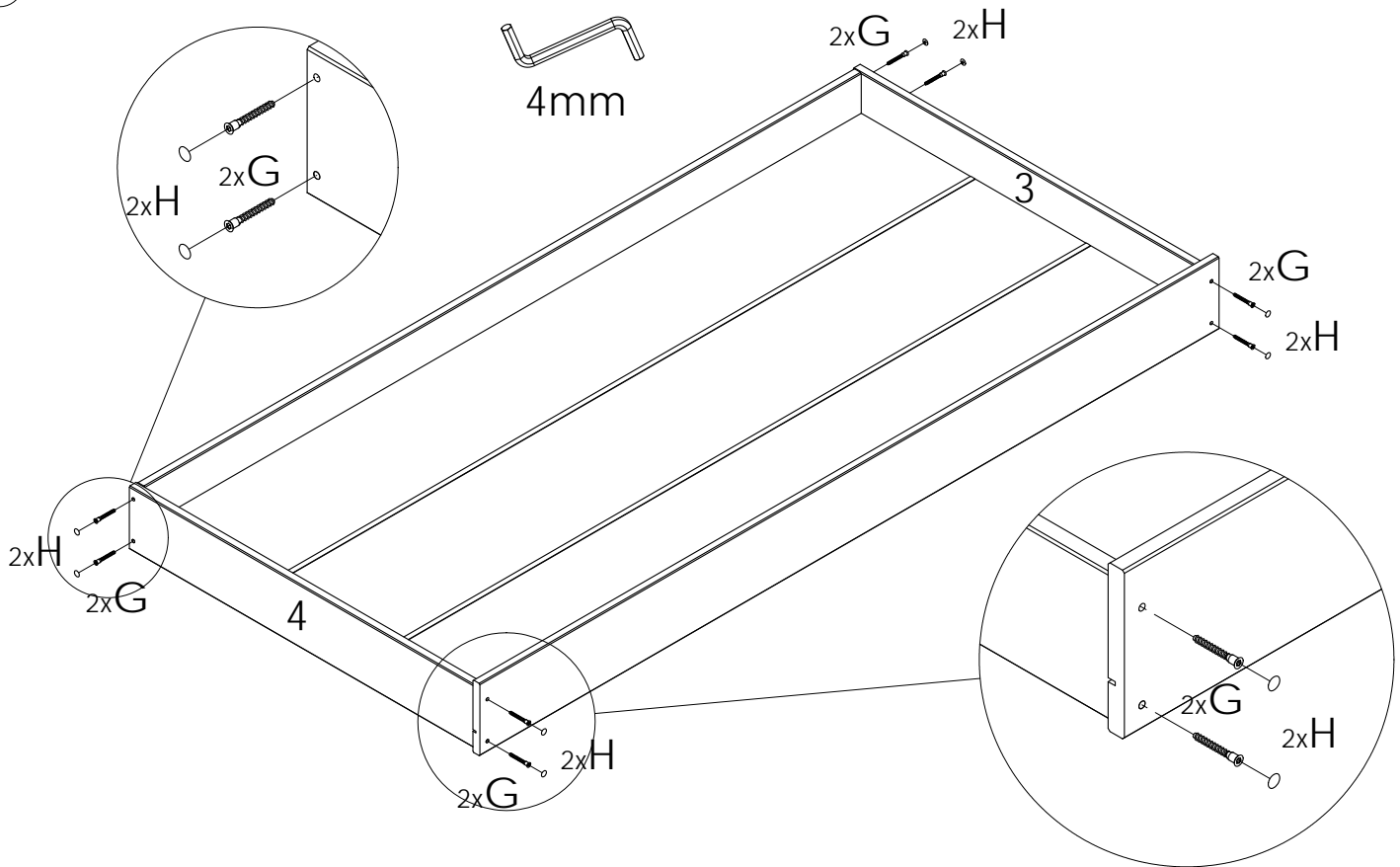
D		120x30x6	x2
E		3,5x40	x16



5



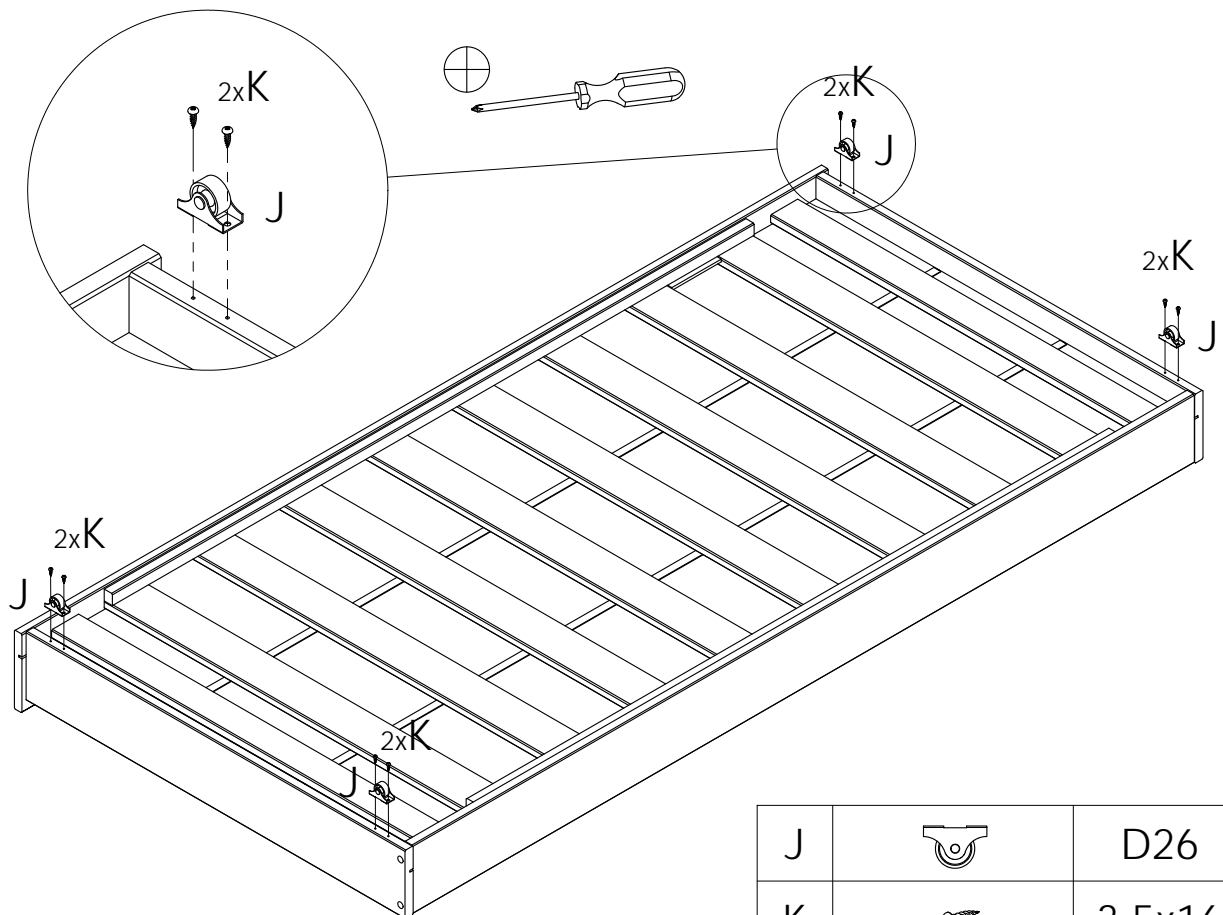
F		1897	x2
---	---	------	----



6



G		7x50	x8
H		D4x13	x8

7



J		D26	x4
K		3,5x16	x8