












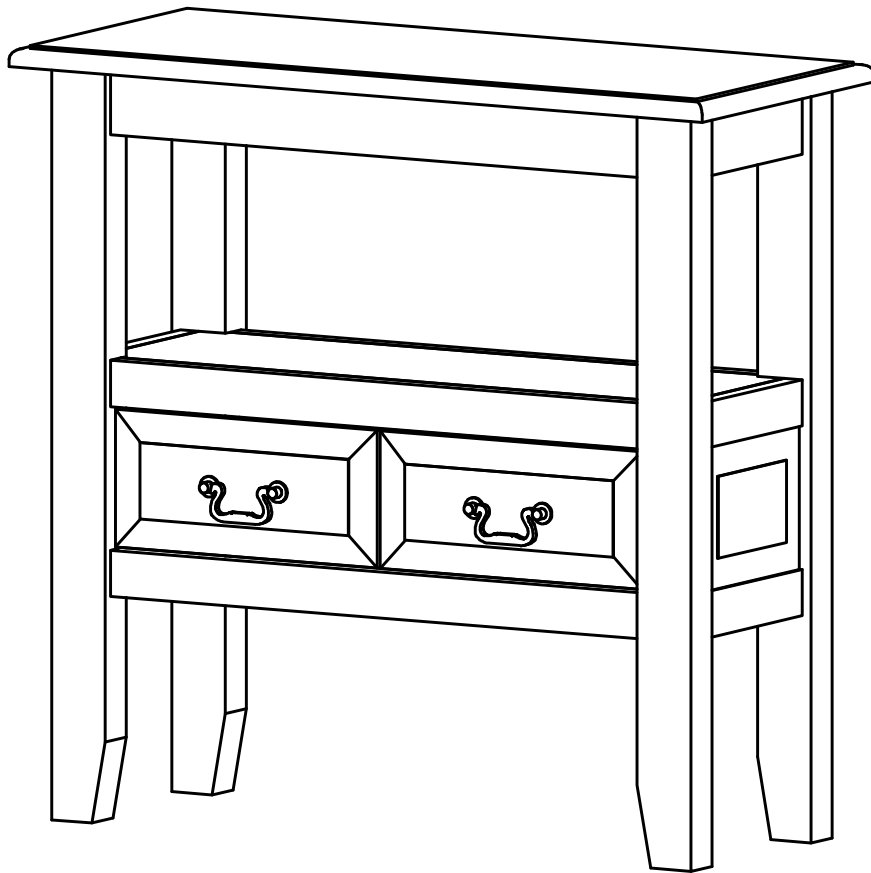
Assembly Instructions

Caution : You must read this before you proceed

Care & Maintenance

- ✓  • Furniture may scratch floors. We recommend using furniture pads to protect your floors.
- ⊘  • Do not put hot items directly on furniture surface.
- ⊘  • Do not clean furniture with harsh cleansers or polish.
- ⊘  • Do not place furniture under direct sunlight.
- ⊘  • Do not place furniture near heating or cooling vents.
- ⊘  • Do not write on furniture without a padded barrier to protect the surface.
- ⊘  • Do not place furniture outside . For indoor use only.
- ⊘  • Not for commercial use. For residential use only.
- ⊘  • Stains may be removed with mild soap solution and damp cloth.
- ⊘  • Children should not climb or jump on the furniture.
- ✓  • Dust and pick-up spills using a clean, non-colored, lint-free cloth.



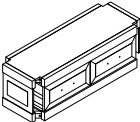
END TABLE



CAUTION :This End Table is NOT a TOY. Keep your child/children at bay in the process of assembly.

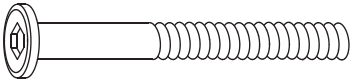


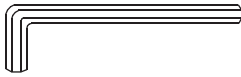







For turning / flipping the end table and to prevent damage to the end table, 02 persons may be needed to execute this action.

Parts List

No.	Picture	Description	Qty
A		Table Top	1
B		Legs	4
C		Shelf	1

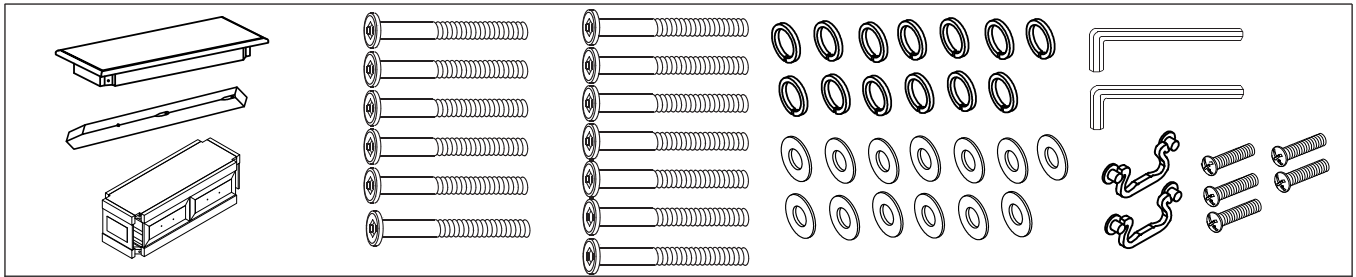
Hardware

End Table Hardware

No.	Picture	Description	Qty
①		Bolts (1/4" x 60mm)	12+1
②		Lock Washer 5/16"x13mm	12+1
③		Flat Washer 5/16"x19x2mm	12+1
④		Allen Key	1+1
⑤		Bolt Handel	4+1
⑥		Handel	2
⑦.1		Patch L	2
⑦.2		Anchor	1
⑦.3		Metal Strap	1
⑦.4		Short Screw	1
⑦.5		Long Screw	1

Assembly Preparation

Before Beginning Assembly:



Read instructions, cover to cover.



Have 2 adults on hand for assembly.



Do not assemble on flooring or carpet.



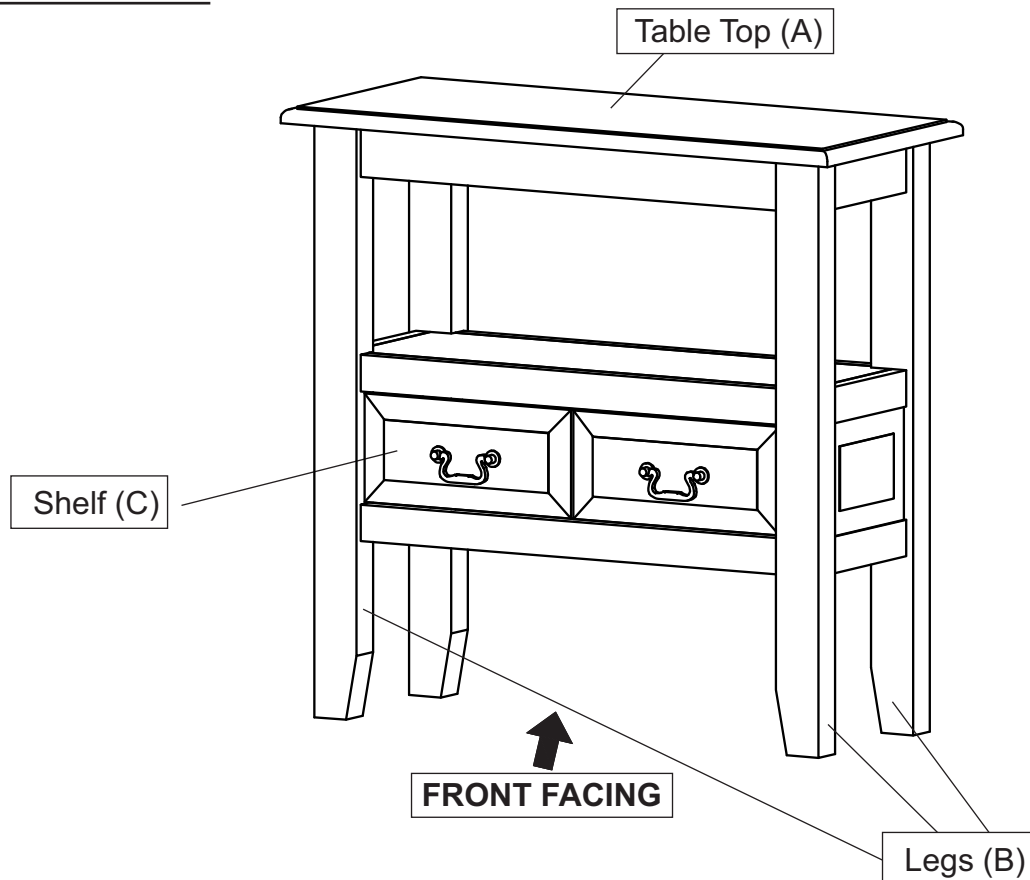
Assemble on a clean non-marring surface (packing foam).



Save all packaging until finished.

Assembly Steps

OVERVIEW



This End Table has multiple parts and may require up to 30 minutes to assemble. To give you an overview of the End Table parts, the above picture is to help you put the various parts into perspective. Please read through the instructions herebelow to familiarise the parts and steps before assembly.

Step 1

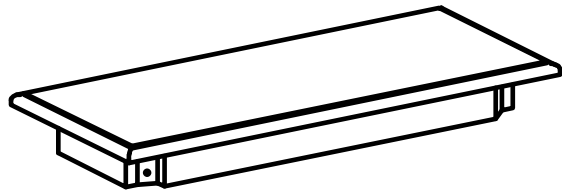
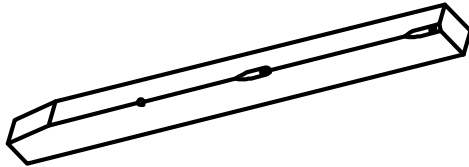
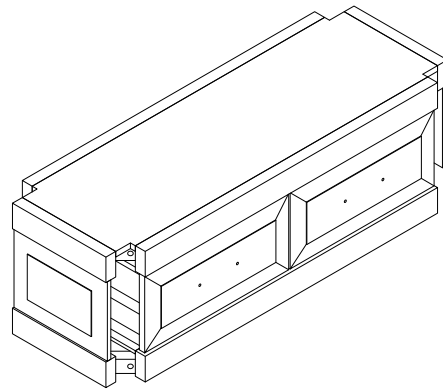


Table Top (A)



Legs (B)

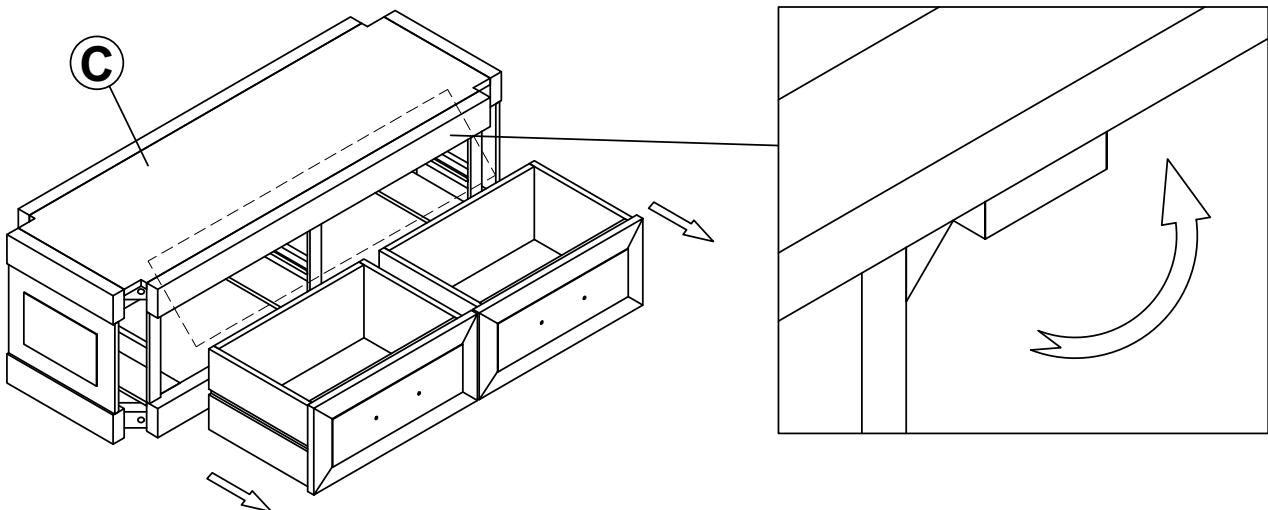


Shelf (C)

Unpack and place all parts on a clean, non-marring surface.
In the next step, need upside down the end table to assemble. To avoid risk for user.

Assembly Steps

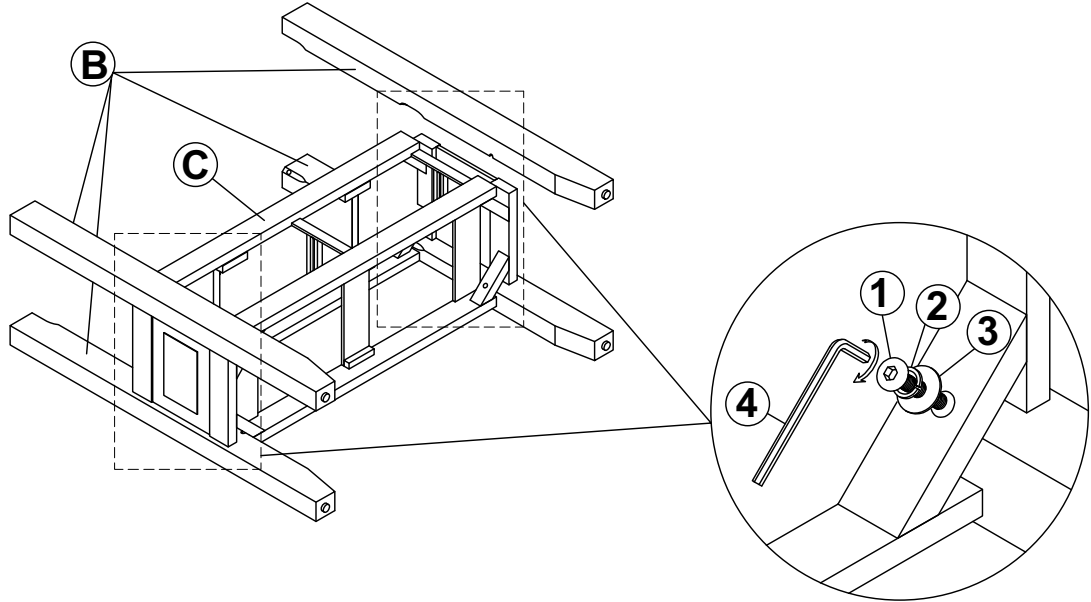
Step 2



Turn the end table right way up carefully.
Put the Drawer on to the End Table, then un locked the Drawer as shown in the picture.

Assembly Steps

Step 3

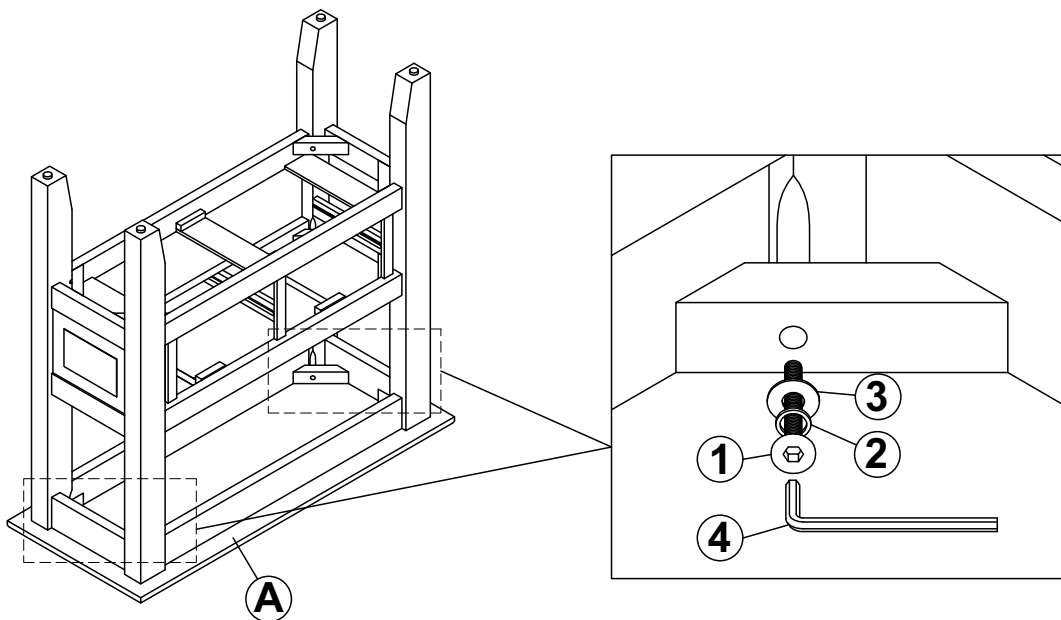


Place the End Table upside down.
Align and insert the four (04) Leg with Bolt of the Leg (B) to the mounting positions at the End Table.

Insert the Bolts (①) with Lock Washer (②) & Flat Washer (③) through the mounting position and affix the Leg (B) by Allen Key (④).

DO NOT FULLY TIGHTEN BOLTS.

Step 4



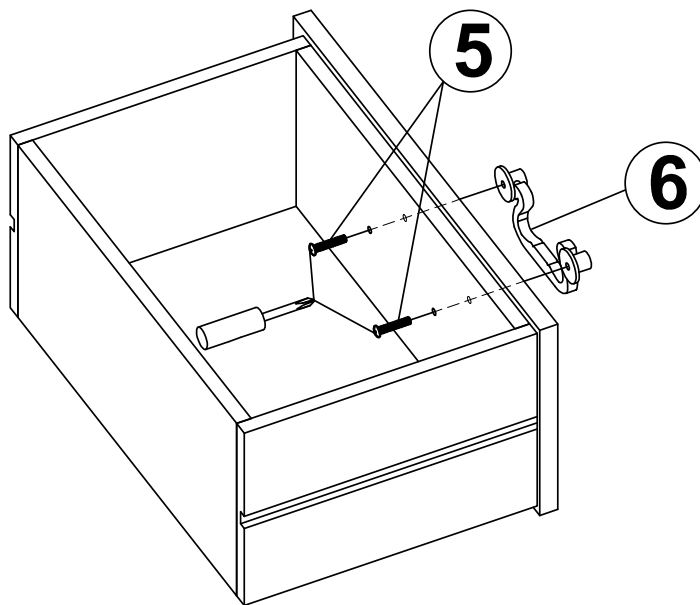
Align and insert the Table top (A) with Bolt of the Leg (B)+ Shelf (C) to the mounting positions at the End Table.

Insert the Bolts (①) with Lock Washer (②) & Flat Washer (③) through the mounting position and affix the Leg (B) by Allen Key (④).

FULLY TIGHTEN BOLTS.

Assembly Steps

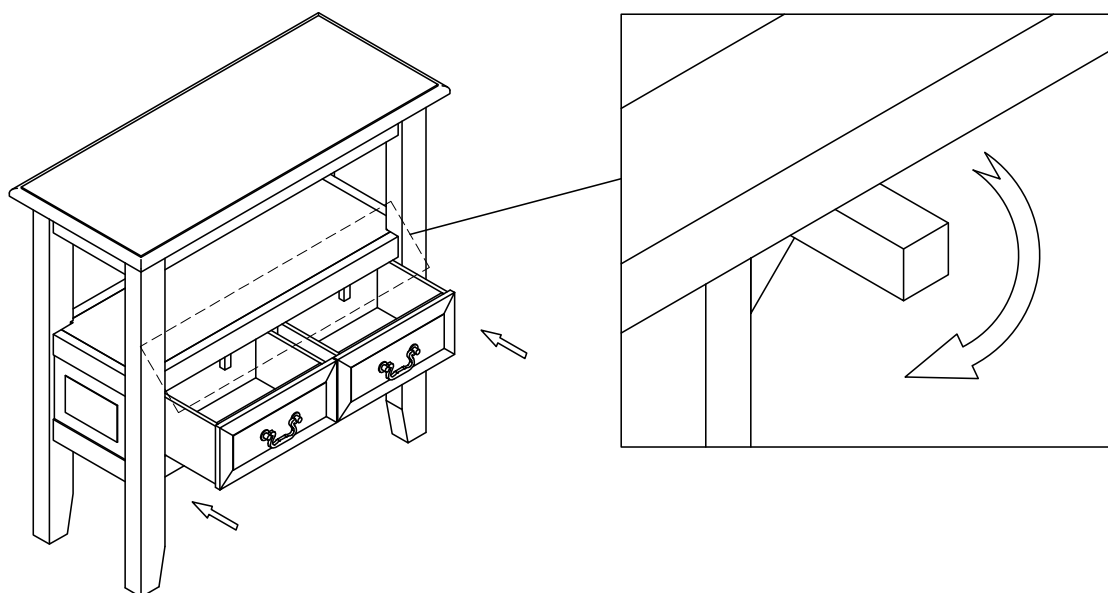
Step 5



Step 5: To affix the Drawer, align the bolt mounting position of the Handle to the mounting positions at the Drawer.

Insert the Bolts (⑤) through the mounting position and affix the Handle (⑥) by the Screwdriver as shown in picture.

Step 6

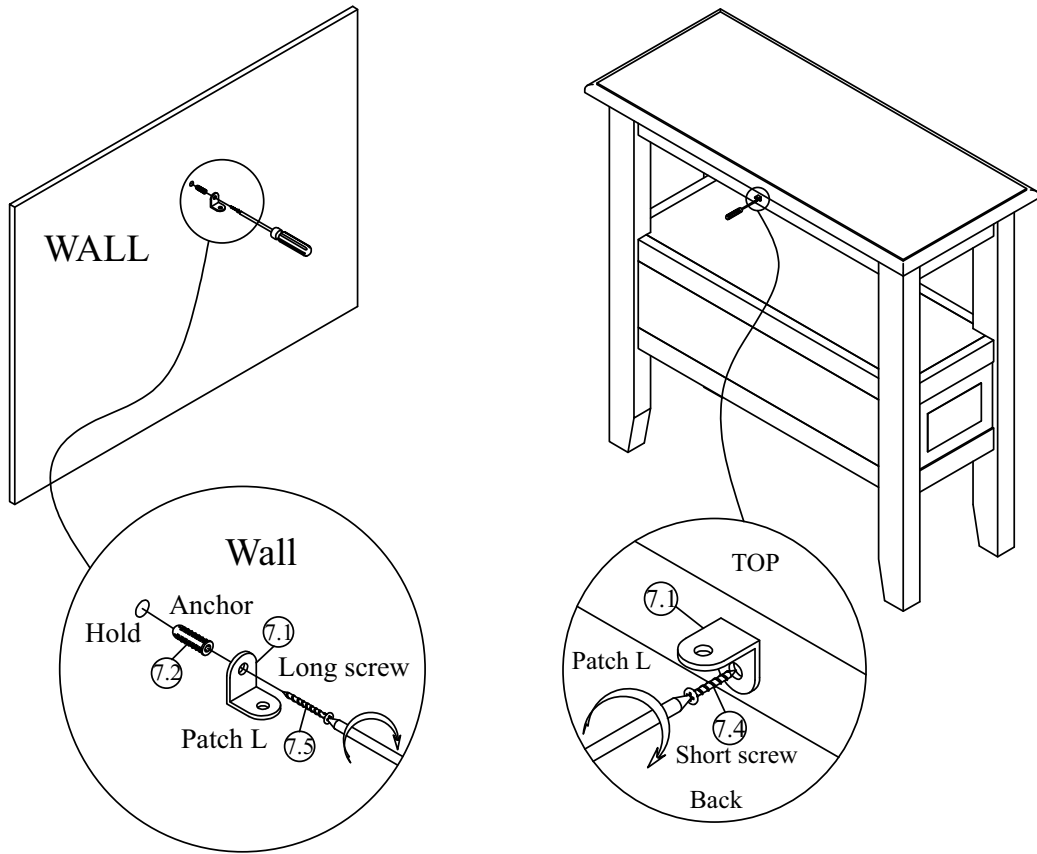


Turn the end table right way up carefully.

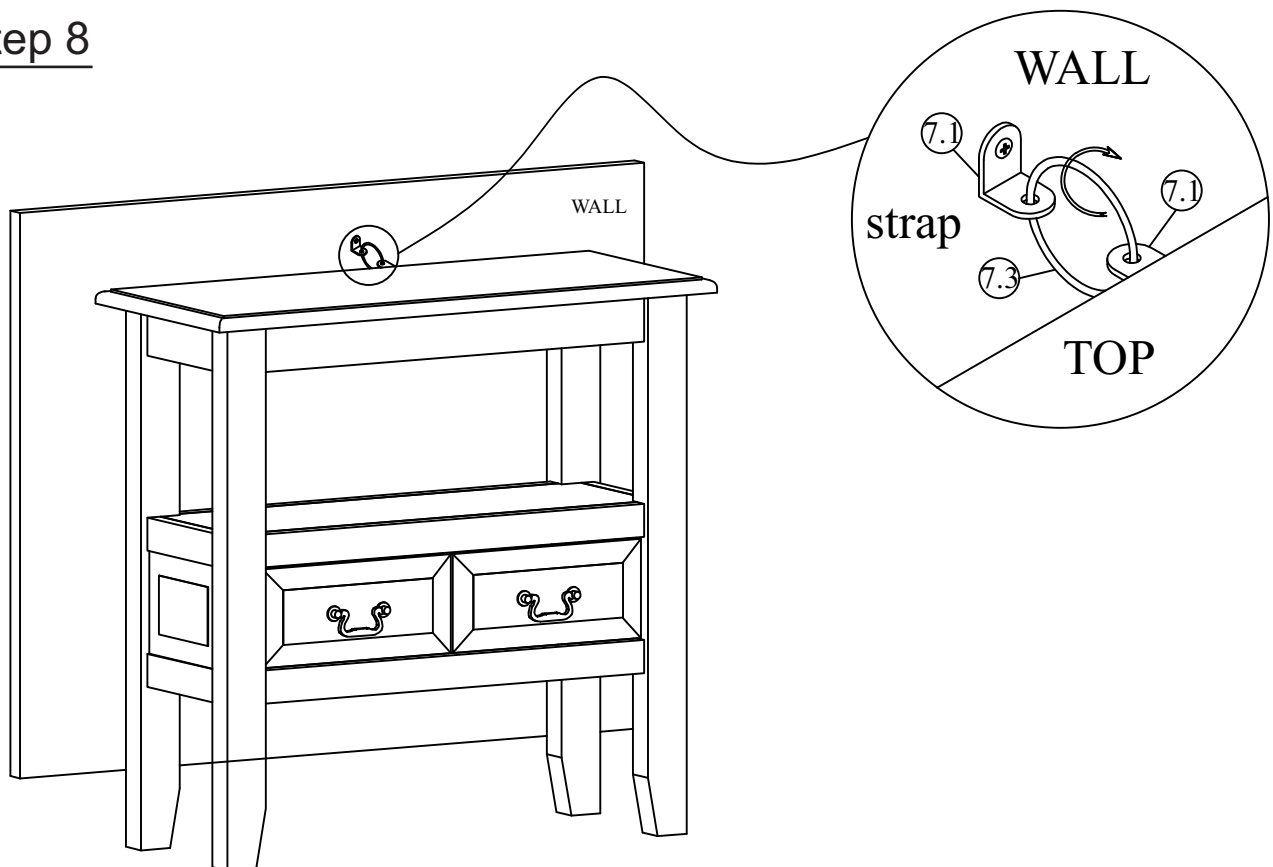
Put the Drawer on to the End Table, then locked the Drawer as shown in the picture.

Assembly Steps

Step 7



Step 8



Caution: This End Table can only be used on a flat, level surface.