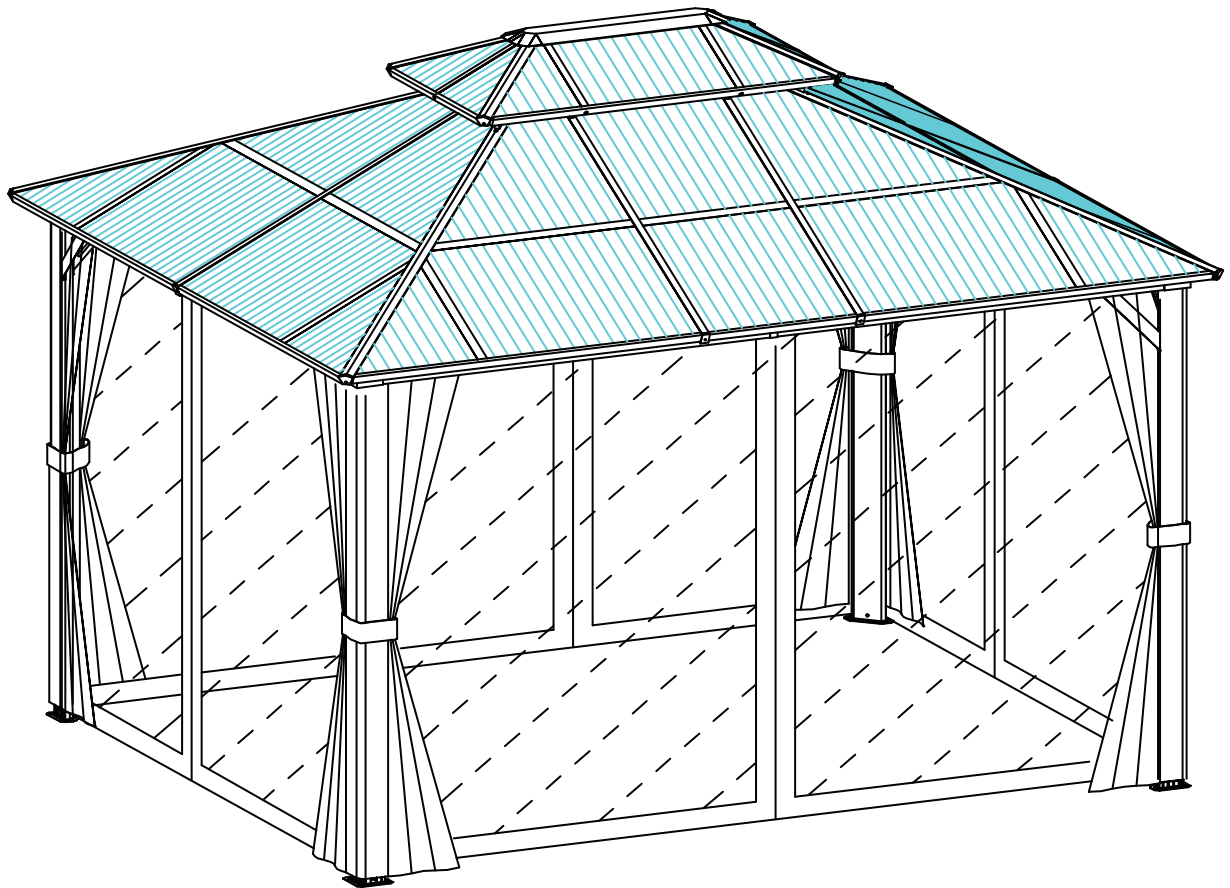


# INSTALLATION INSTRUCTIONS

## 10x12 Gazebo



**Our team is available 24/7 to help with any product questions. Contact us anytime!**

# Warning

- Please read and understand this manual carefully before assembly. Before starting to assemble the product, please ensure that all parts are present. Please check the parts against the packing list. If you find any missing parts, please contact us.
- Any assembly or maintenance work on this product must be performed by adults. We recommend that at least two adults be involved.
- Please check your state and local regulations before purchasing. Some areas may require a permit for the installation and use of this product. There may be specific procedures in your area.
- Please install the Pergola on a flat surface. Ground stakes are included with the product to secure the Pergola to the ground.
- Do not assemble the Pergola on sandy, muddy, or loose soil, as the ground stakes will not provide sufficient anchoring in these types of soil.
- If you wish to secure the Pergola to a wooden deck or concrete surface, please use anchor bolts suitable for these surfaces.
- Some parts may contain sharp edges. Protective gloves are recommended.
- Keep children and pets away while assembling the Pergola.
- Regularly check all nuts and bolts to ensure they are tightened.
- Before starting assembly, carefully read each step and ensure you understand each step.
- Please refer to the diagrams. Place all parts from the box in a clean area and lay them flat on the floor in front of you.
- Remove all packaging materials and place them back in the box. Do not discard the packaging materials until assembly is complete.

# Maintenance

- Snow must be removed regularly during snowy weather. Remove snow when the snow accumulation on the roof exceeds 2 inches (5 cm). To avoid damage, use a plastic snow rake to remove excess snow and ice from the roof, and be careful to stay clear of falling debris.
- This Pergola is for decorative and shading purposes only and is not designed to withstand severe weather conditions, including strong winds, heavy rain, and heavy snow.
- The steel components of this Pergola are coated with rust-resistant paint. However, due to the inherent properties of steel, oxidation (rusting) may still occur on the surface if the protective coating is scratched. This is not a product defect and is therefore not covered under warranty.
- To minimize this occurrence, it is recommended to handle the product carefully during assembly and handling to avoid scratching the paint. If any scratches or damage occur, it is recommended to immediately repair the scratches with rust-resistant paint (not included).
- Do not use bleach, acid, or other abrasive cleaners on the roof or frame components.
- Please keep these instructions for future reference.

# Pre-assembly

## TOOLS THAT MAY BE REQUIRED (included in boxes)

**\*NOTE: Tools /equipment are not shown to actual size and scale.**



Wrench

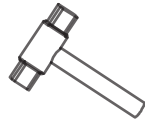
GLOVES

## EQUIPMENT REQUIRED (Not included in boxes)

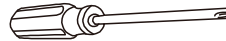
**\*NOTE: Equipment are not shown to actual size and scale.**



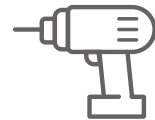
LEVEL



RUBBER Mallet



PHILLIPS SCREW



DRILL



SAFETY HAT



SAFETY GOGGLES



STEPLADDER

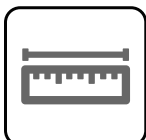
## Matters needing attention



1. Two or more people are required for assembly.



2. Do not fully tighten screws prior to complete assembly.



3. Use a spirit level. Before proceeding, check that the device or component is perfectly level.



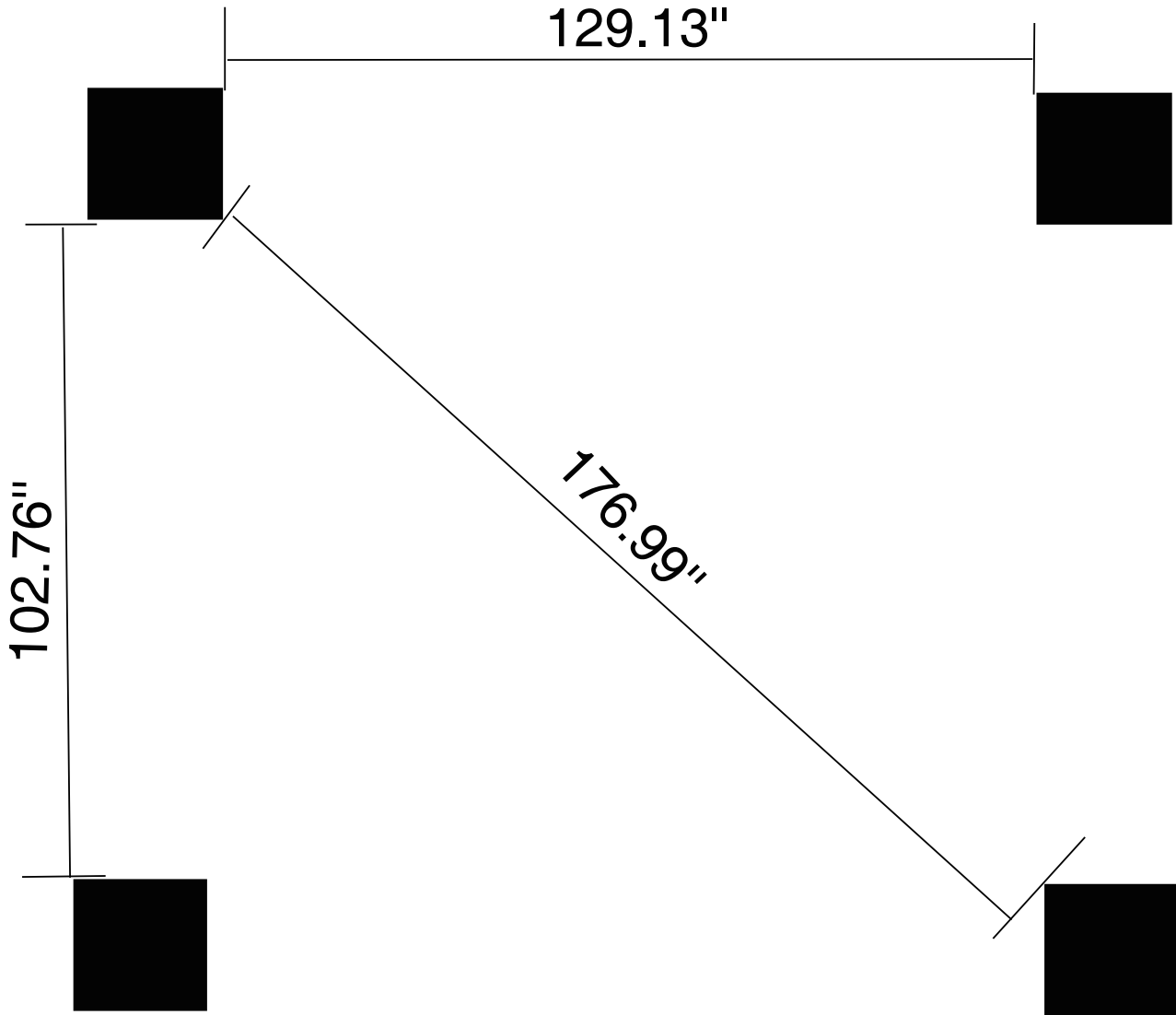
4. Use a square to check: Before tightening the bolts, check that the assembly is square.



5. Do not overtighten the mounting bolts. Overtightening can cause the wood to crack, splinter, and result in other structural damage.

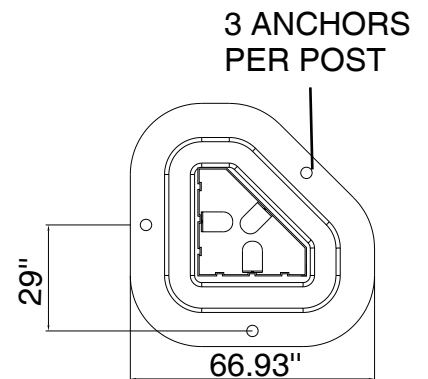
# INSTALLATION BLUEPRINT

## 10'x12'



The width dimension error is restricted to 0.118"

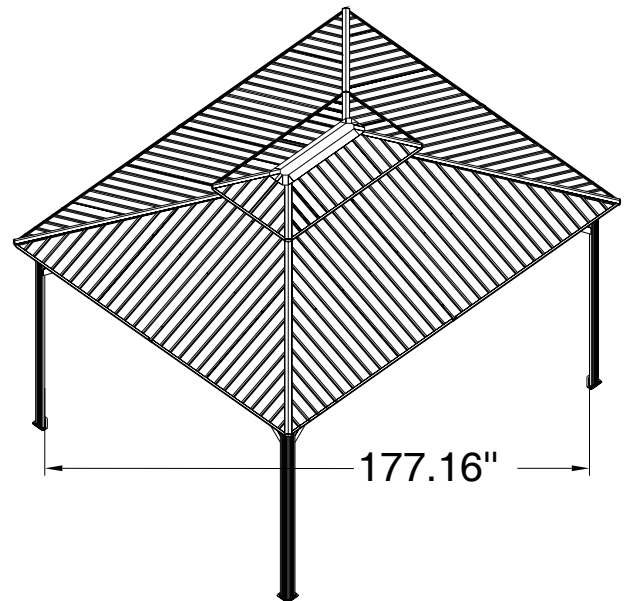
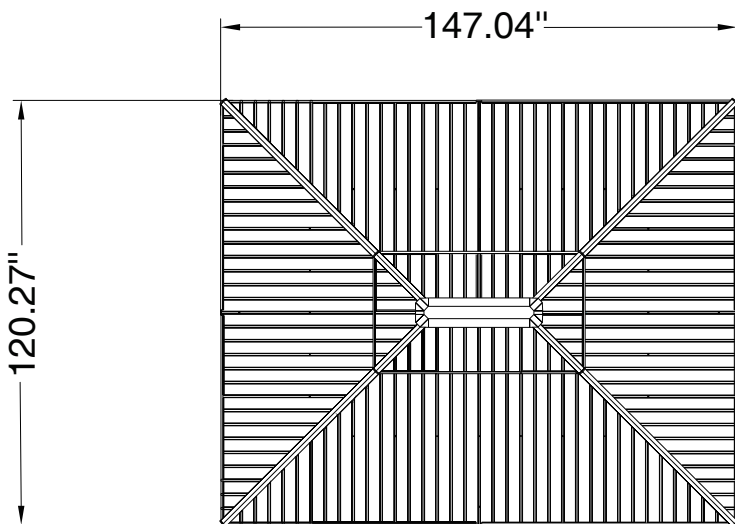
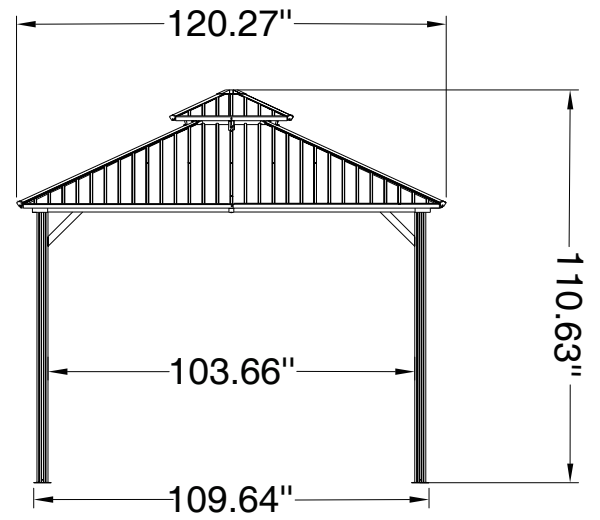
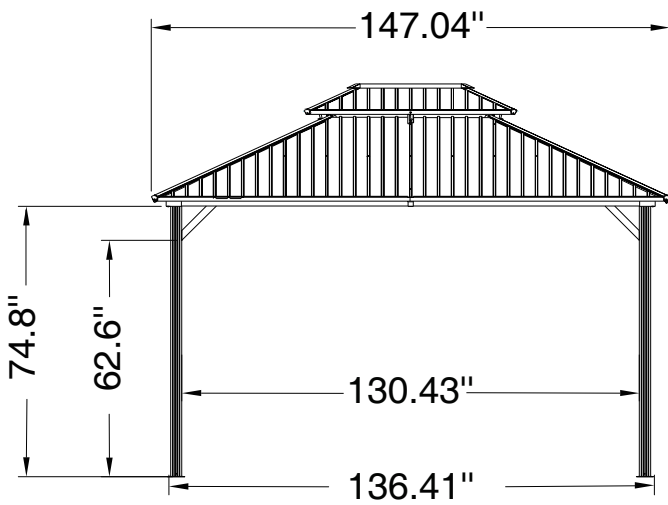
Diagonal line error should be limited to 0.197"



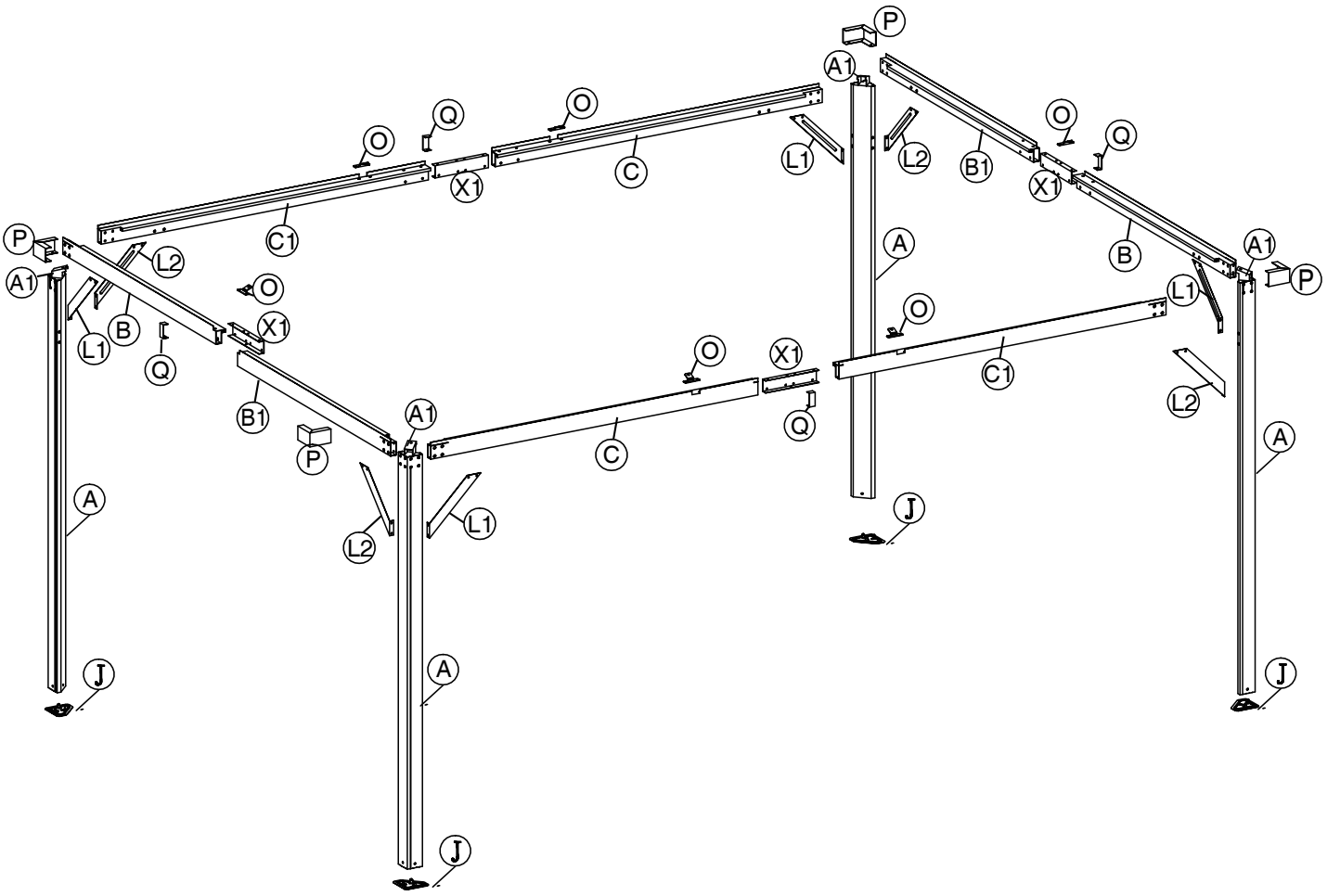
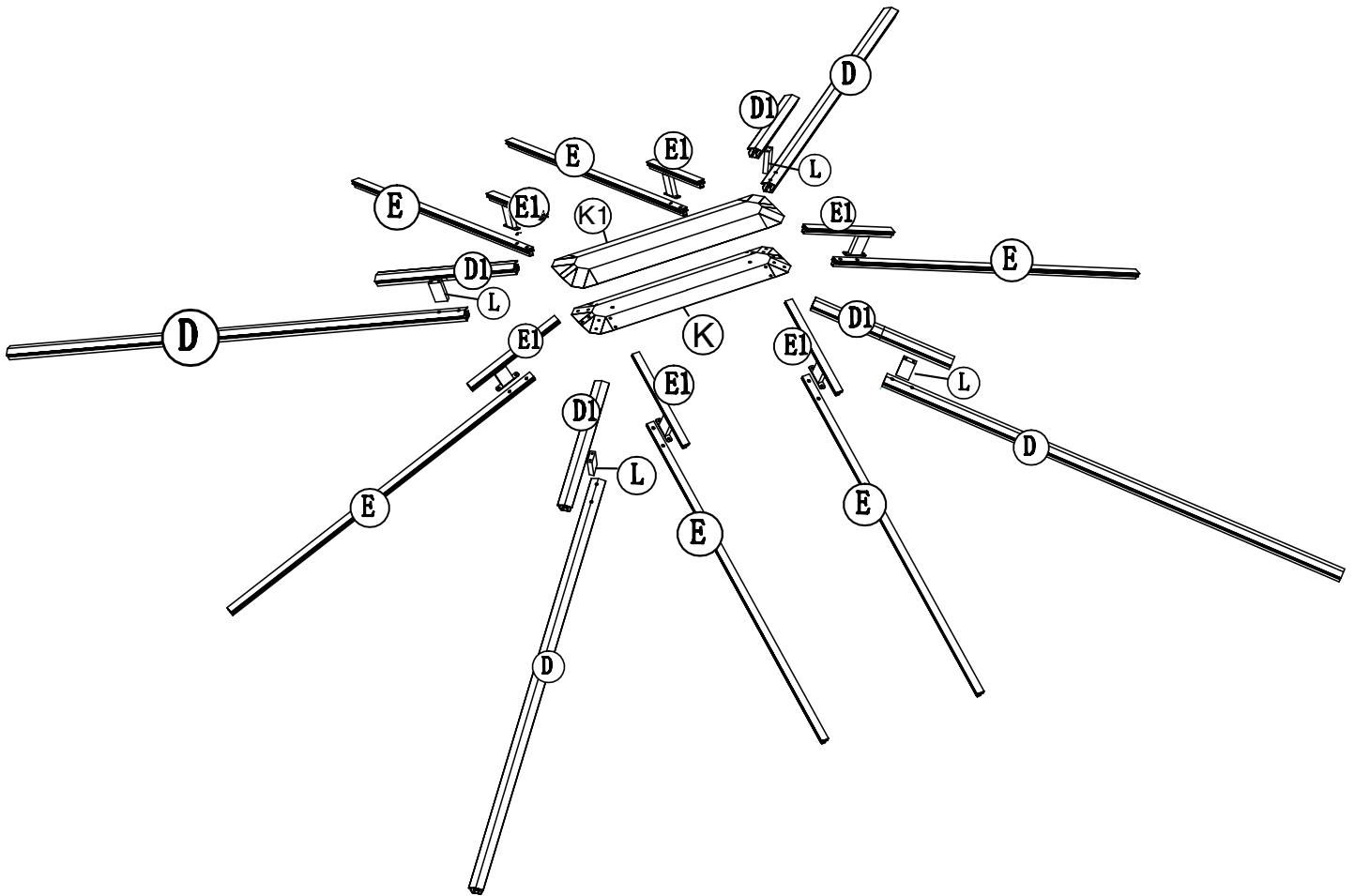
NOTE: DIMENSIONS ARE TO ANCHOR PLATES MOUNTED TO POSTS EXCEPT WHERE NOTED

# PRODUCT DIMENSIONS

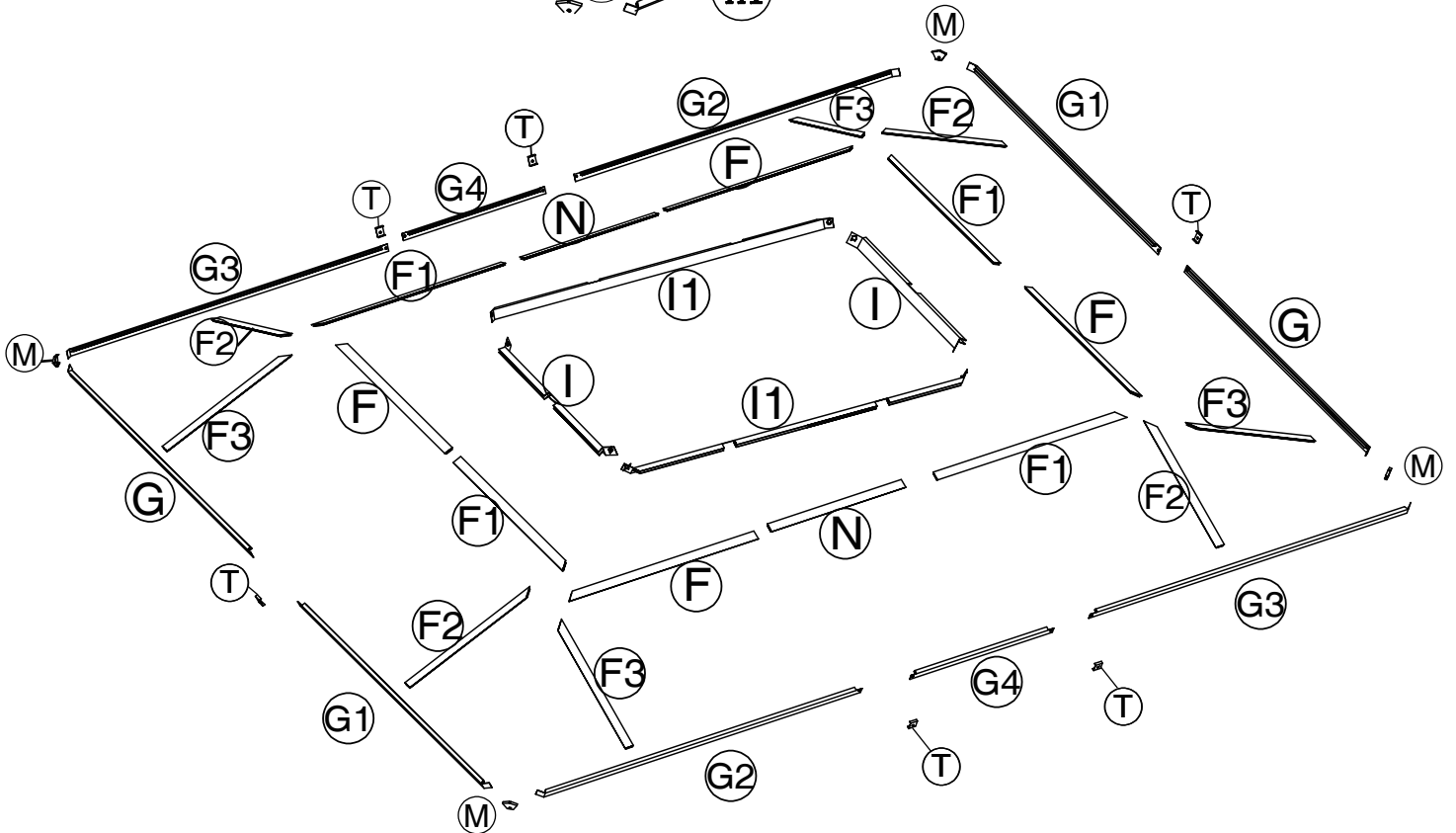
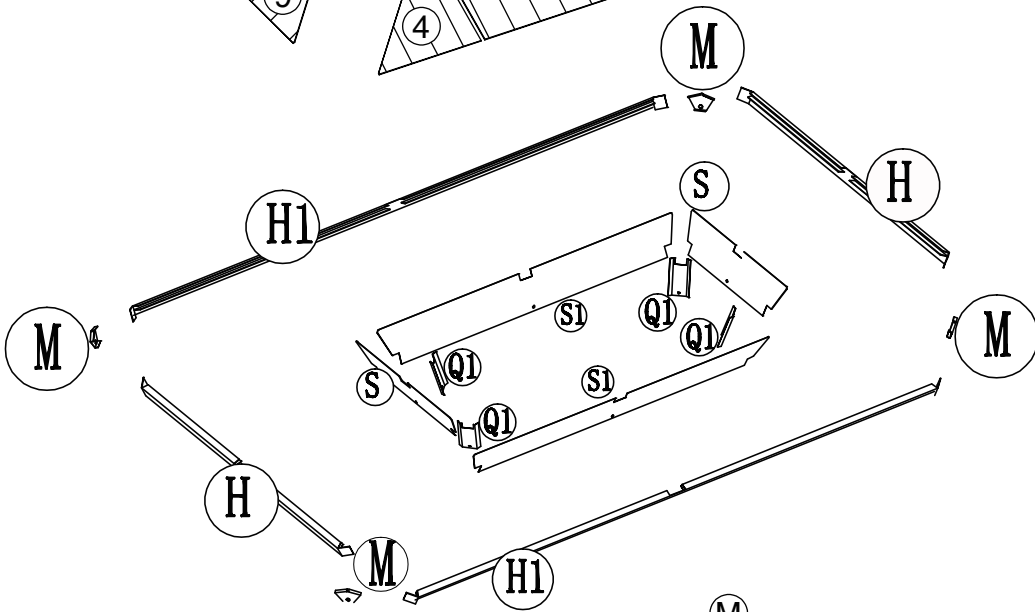
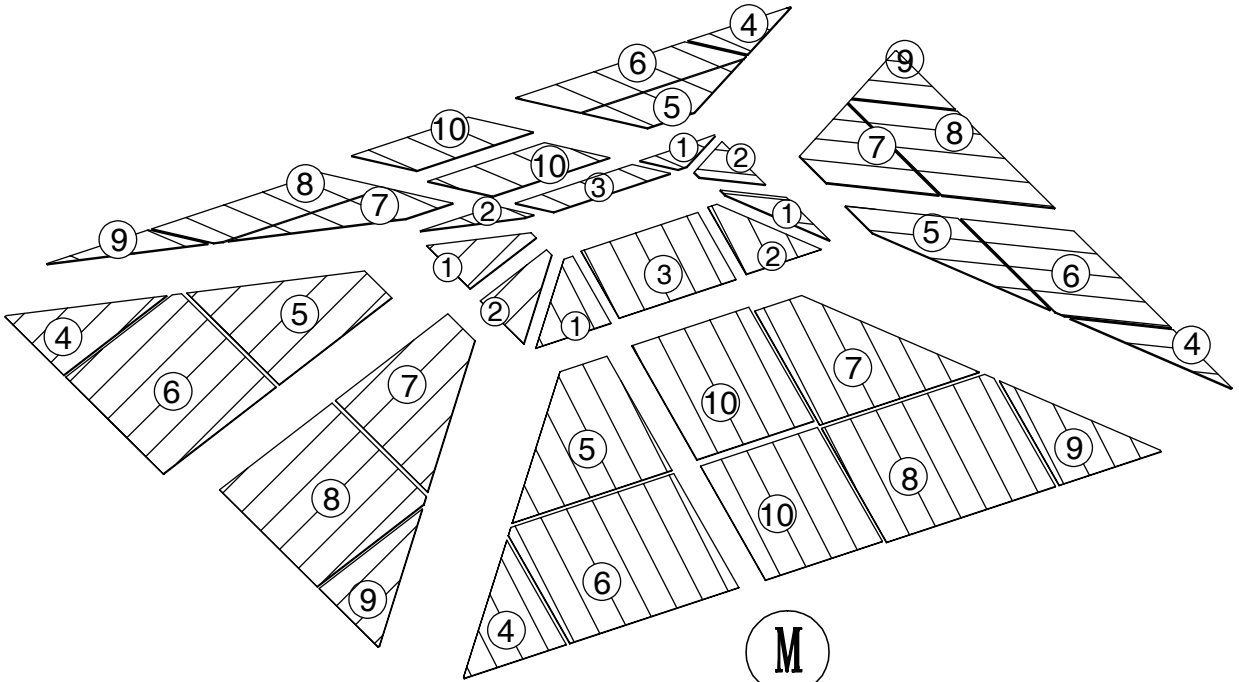
## 10'x12'













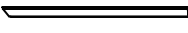











# EXPLODED DRAWING





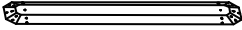







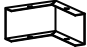



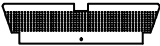


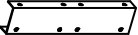
# EXPLODED DRAWING







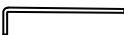










# Part Lists

Part Number	Part Image	Description	QTY
A		Pillar	4PCS
A1		connector	4PCS
B		Beam	2PCS
B1		Beam	2PCS
C		Beam	2PCS
C1		Beam	2PCS
D		corner beam	4PCS
D1		Short corner beam	4PCS
E		rafter	6PCS
E1		Short rafter	6PCS
F		PC Insert Strip	4PCS
F1		PC Insert Strip	4PCS
F2		PC Insert Strip	4PCS
F3		PC Insert Strip	4PCS
G		Main Roof Tile Edge Trim	2PCS
G1		Main Roof Tile Edge Trim	2PCS
G2		Main Roof Tile Edge Trim	2PCS
G3		Main Roof Tile Edge Trim	2PCS
G4		Main Roof Tile Edge Trim	2PCS
H		Top Roof Tile Edge Trim	2PCS
H1		Top Roof Tile Edge Trim	2PCS
I		Top Inner Trim	2PCS

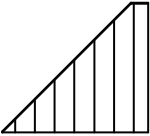
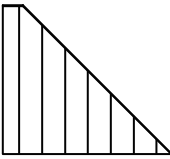
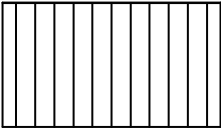
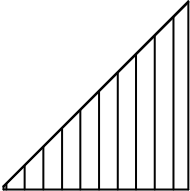
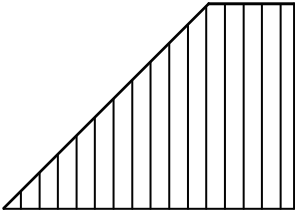
# Part Lists

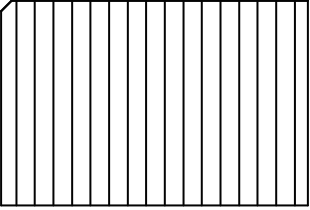
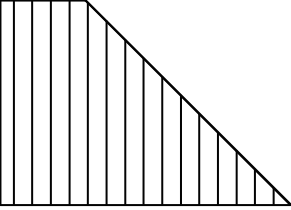
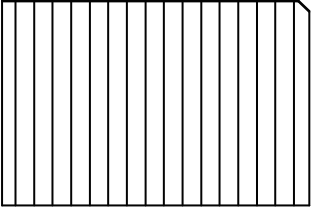
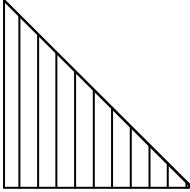
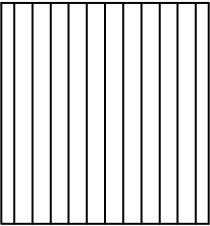
Part Number	Part Image	Description	QTY
I1		Top Inner Trim	2PCS
J		Chassis	4PCS
K		Bottom piece	1PC
K1		Top piece	1PC
L		connection block	4PCS
L1		Diagonal bracing	4PCS
L2		Diagonal bracing	4PCS
M		Corner Beam Cover Plate	8PCS
N		PC Insert Strip	2PCS
O		Rafter Connection	6PCS
P		Beam Corner Wrap Trim	4PCS
Q		Beam decorative parts	4PCS
Q1		Four corner baffle	4PCS
R		Curtain hook	104PCS
S		Hollow out baffle	2PCS
S1		Hollow out baffle	2PCS
T		Rafter Cover Plate	12PCS
X1		Beam connector	4PCS

# Part Lists

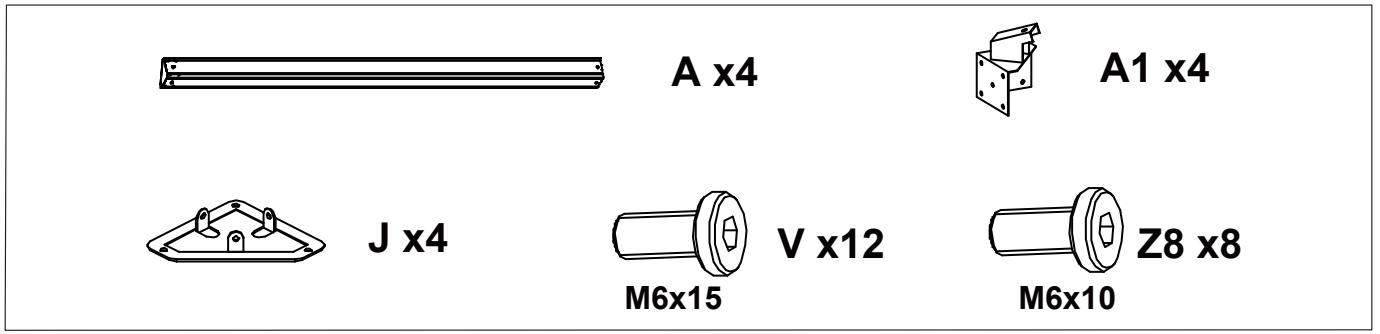
Part Number	Part Image	Description	QTY
Y	 6*32	Screw	32PCS
Z	 4.8*12	Screw	8PCS
Z1		Hook	2PCS
Z2		Hex key	1PC
Z4		Ground spike	12PCS
Z7		Track Cap	8PCS
Z8	 M6X10	Screw	8PCS
(18)		Mesh	4PCS
(19)		Curtain	4PCS
(20)		Expansion bolt	12PCS
V	 M6X15	Screw	146PCS
V1	 M6X130	Screw	8 PCS
V2	 M5X15	Screw	4PCS
V3	 M6X48	Screw	12PCS
V4		nut	12PCS

# PC board Lists

①		4PCS
②		4PCS
③		2PCS
④		4PCS
⑤		4PCS

⑥		4PCS
⑦		4PCS
⑧		4PCS
⑨		4PCS
⑩		4PCS

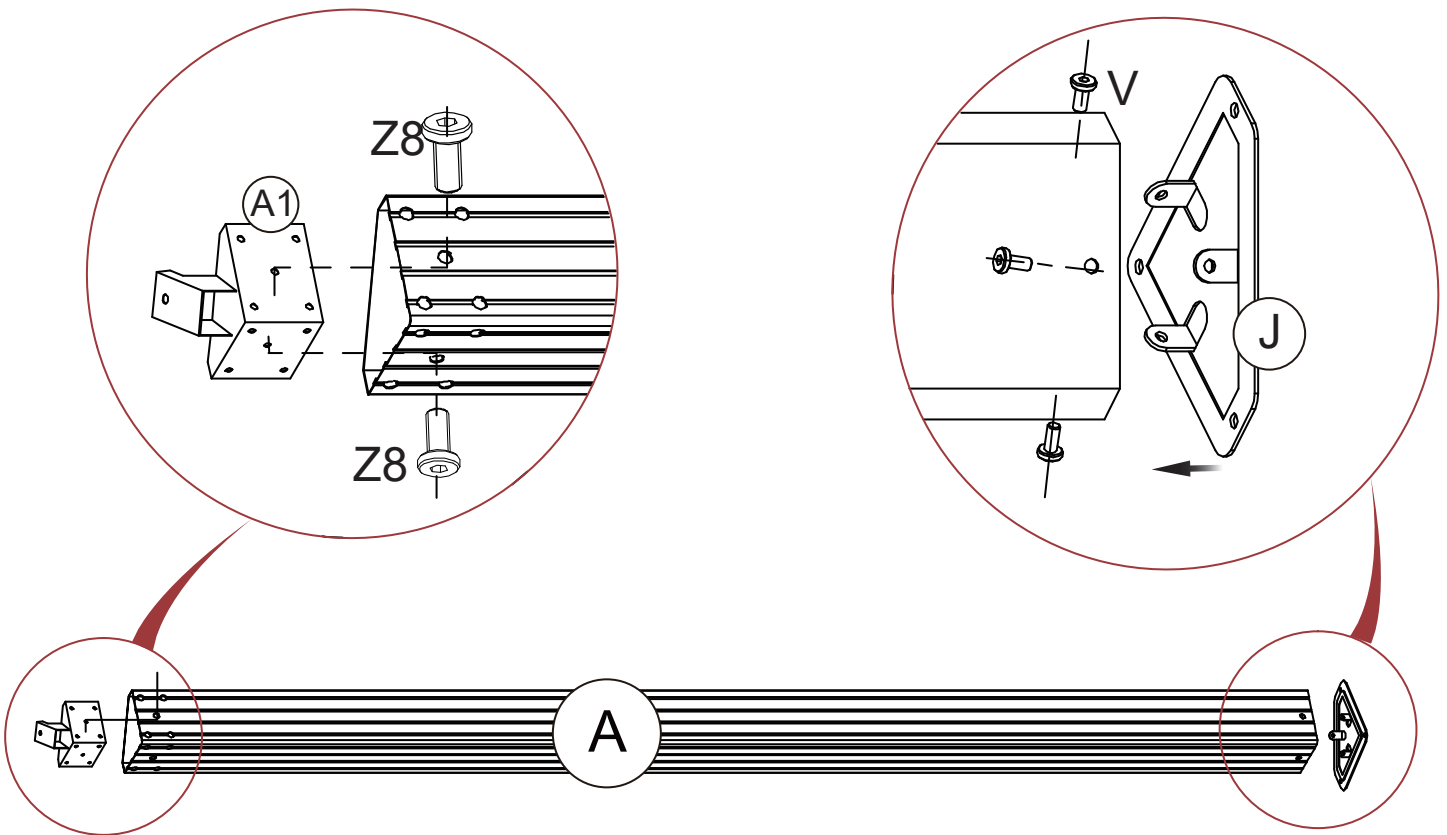
# STEP 1: Install upright posts



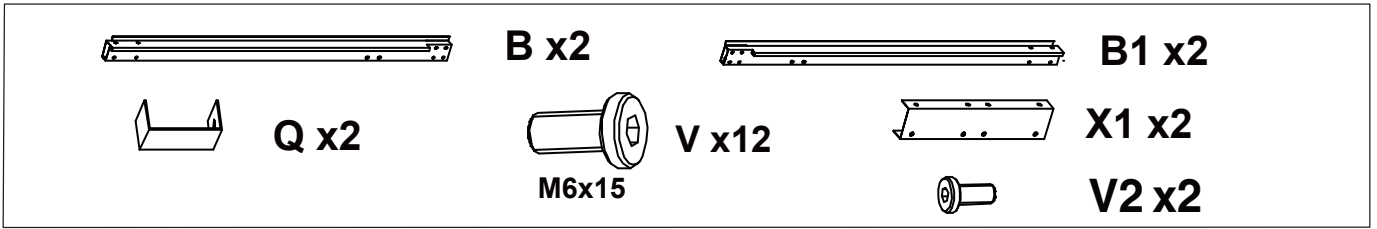
# X4

Insert A1 Connector (4pcs) into A Pillar (4pcs) and secure it with Z8 Screw (8pcs)

Place J Chassis under column A Pillar (4pcs) and connect it with V Screw (12pcs)

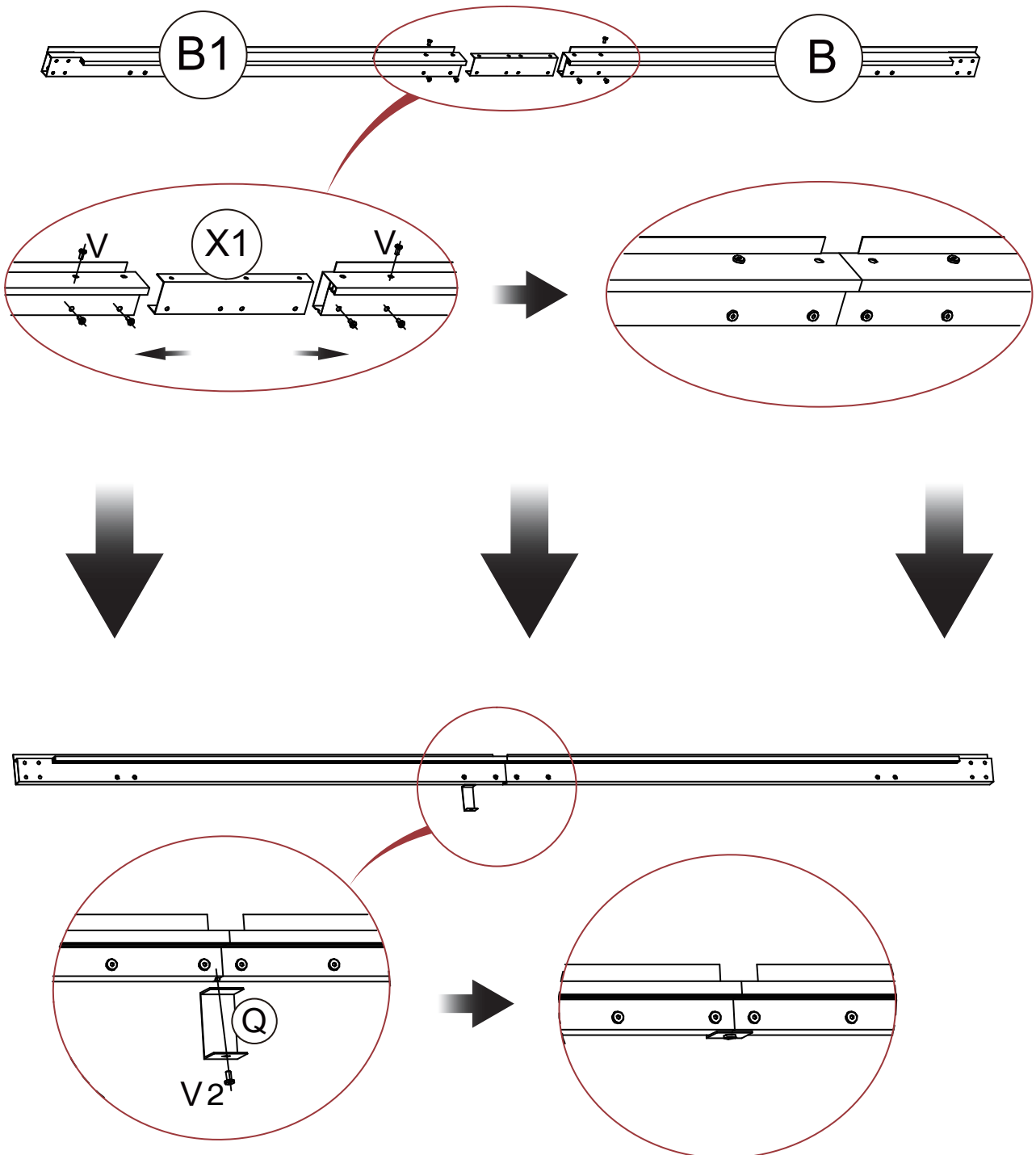


# STEP 2: Install the crossbeam

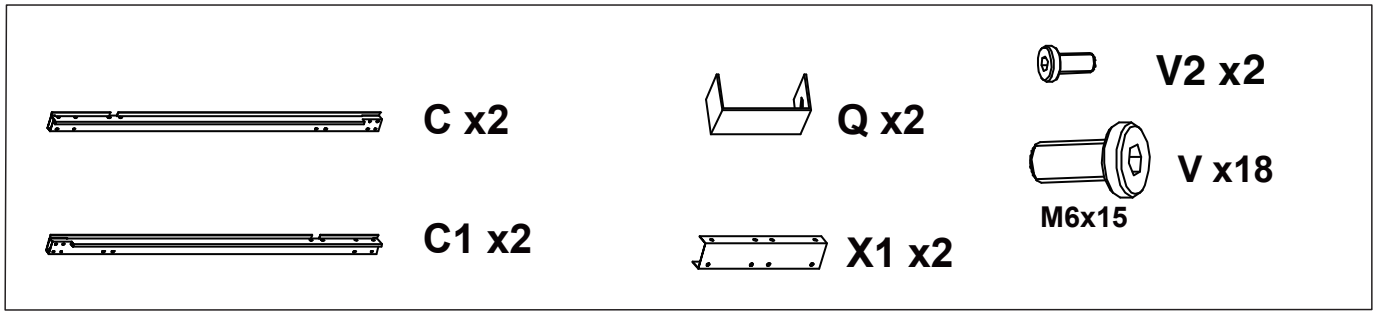


Insert X1 Beam connector (2pcs) into the interior of B/B1 Beam (2pcs) respectively, and secure it with four V screws. **Note:** The two holes above are temporarily not to be assembled

# X2

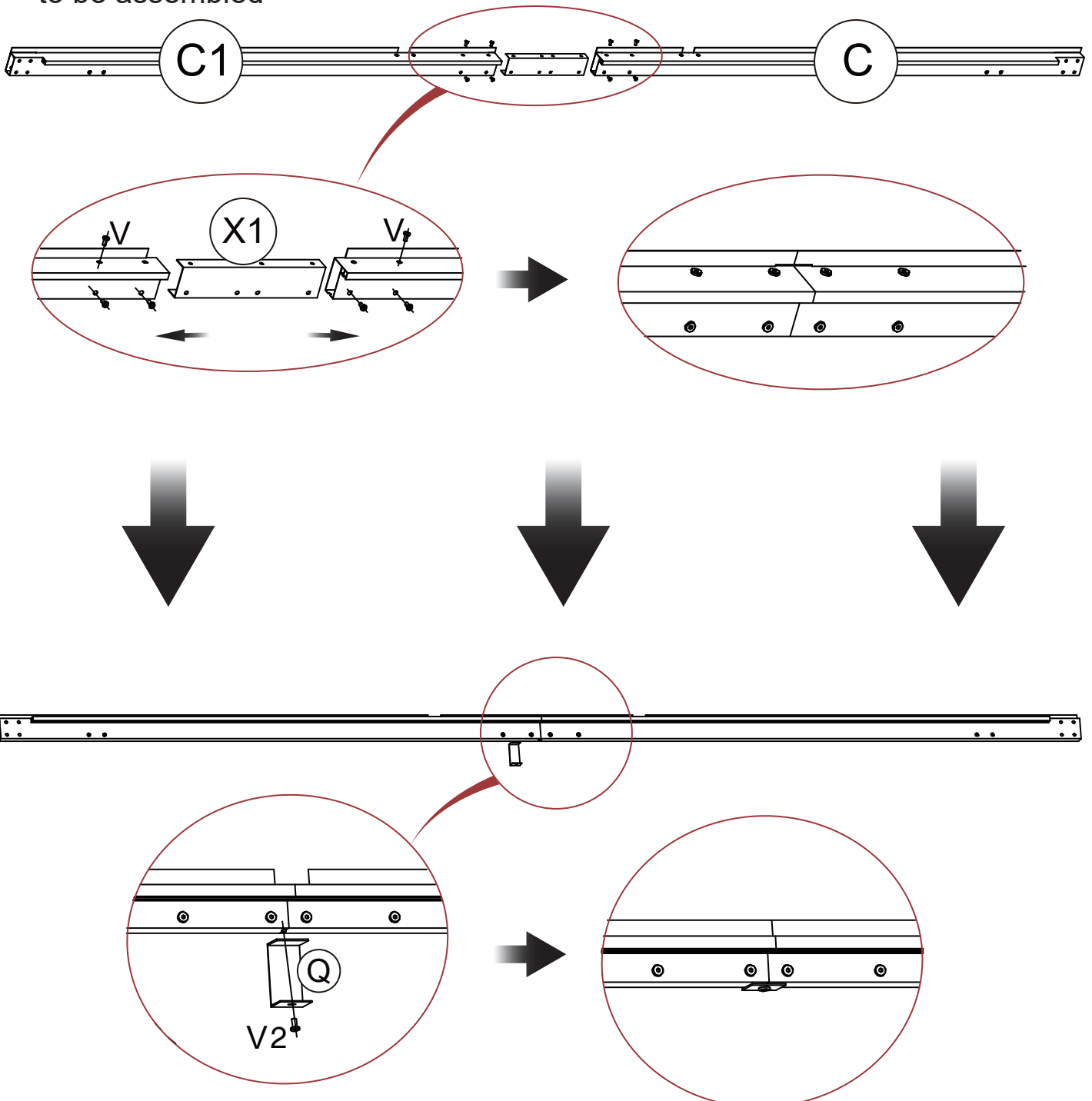


# STEP 3: Install the crossbeam

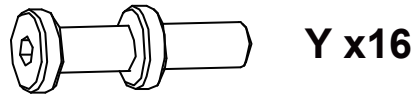


Insert X1 Beam connector (2pcs) into the interior of C/C1 Beam (2pcs) respectively, and secure it with four V screws. **Note:** The two holes above are temporarily not to be assembled

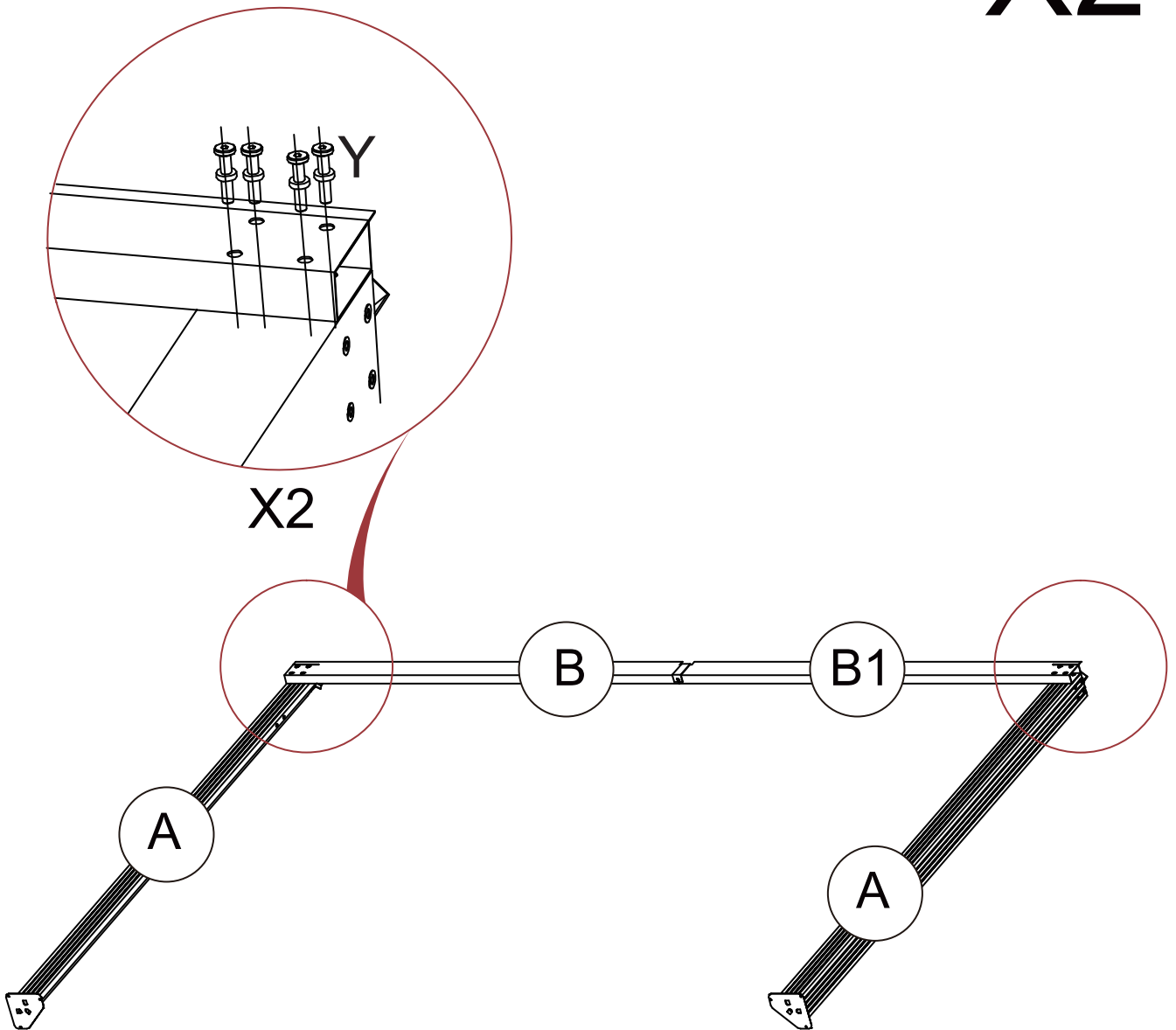
# X2



# STEP 4: Connect the pillar to the crossbeam

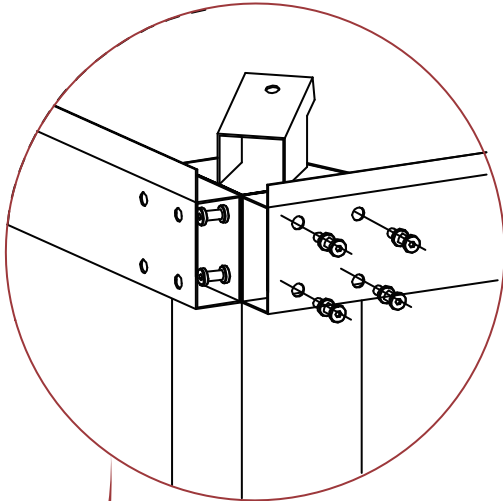
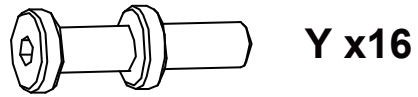


X2



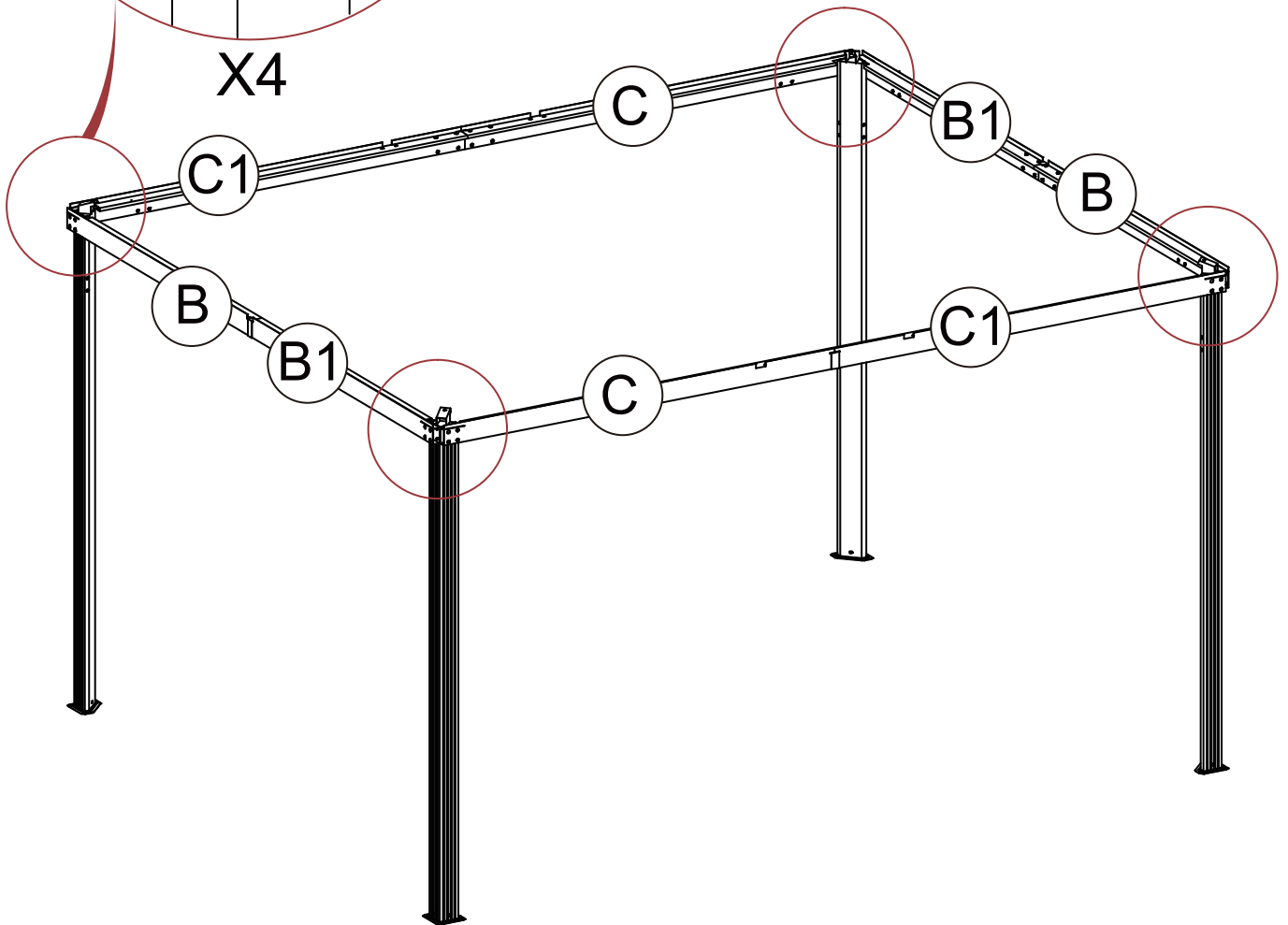
Connect A Pillar with B/B1 Beam using Y Screw(16pcs)

# STEP 5: Connect the pillar to the crossbeam

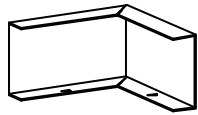


Connect A Pillar with C/C1 Beam using Y Screw(16pcs)

X4



# STEP 6: Install fixed columns and crossbeam



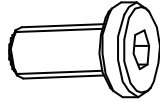
P x4



L1 x4

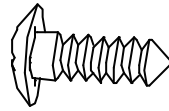


L2 x4

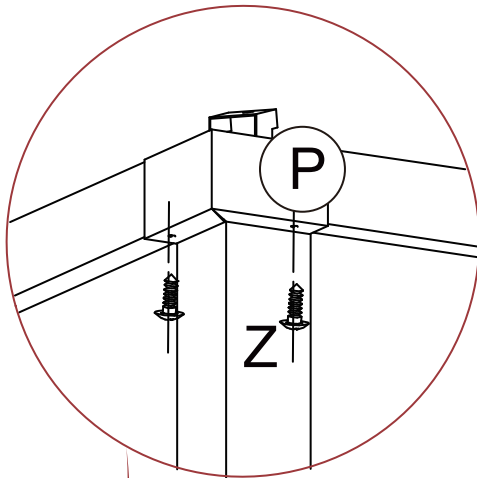


V x32

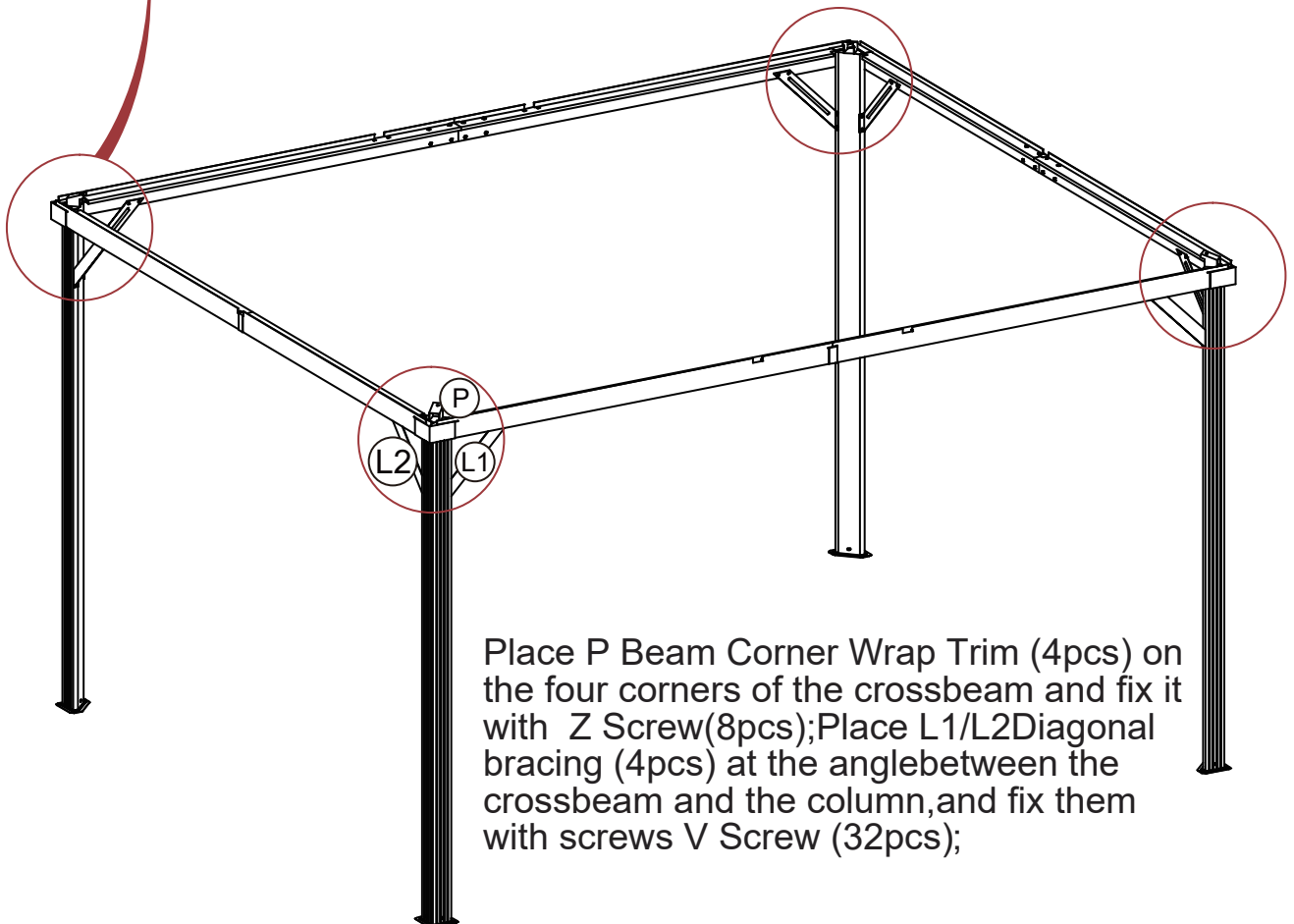
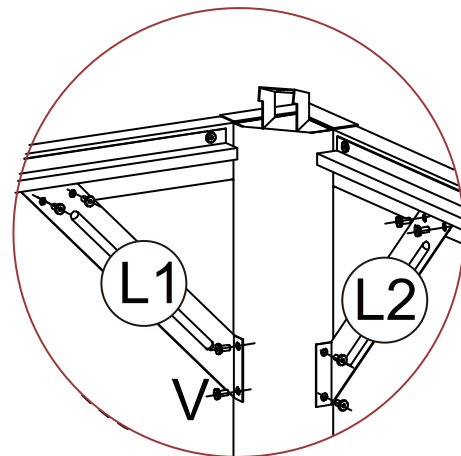
M6x15



Z x8

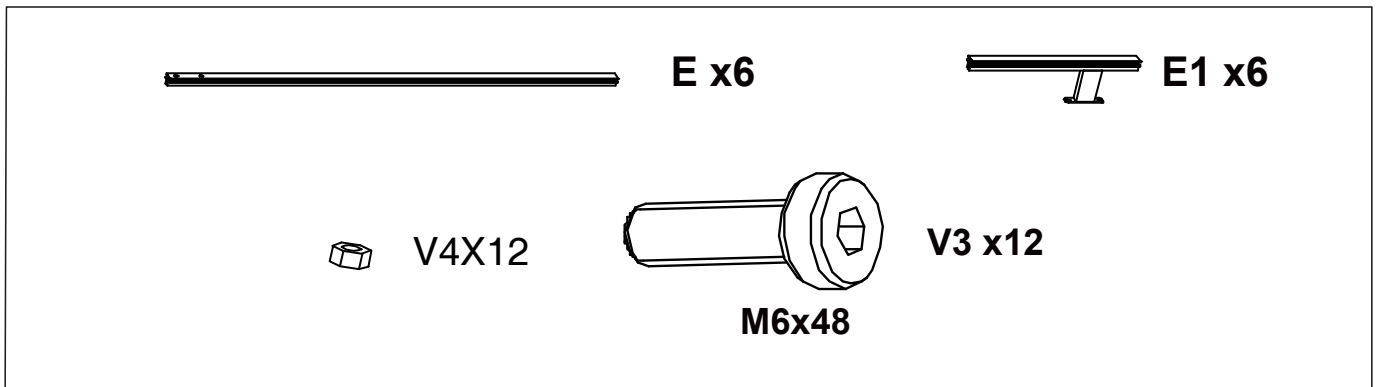


X4

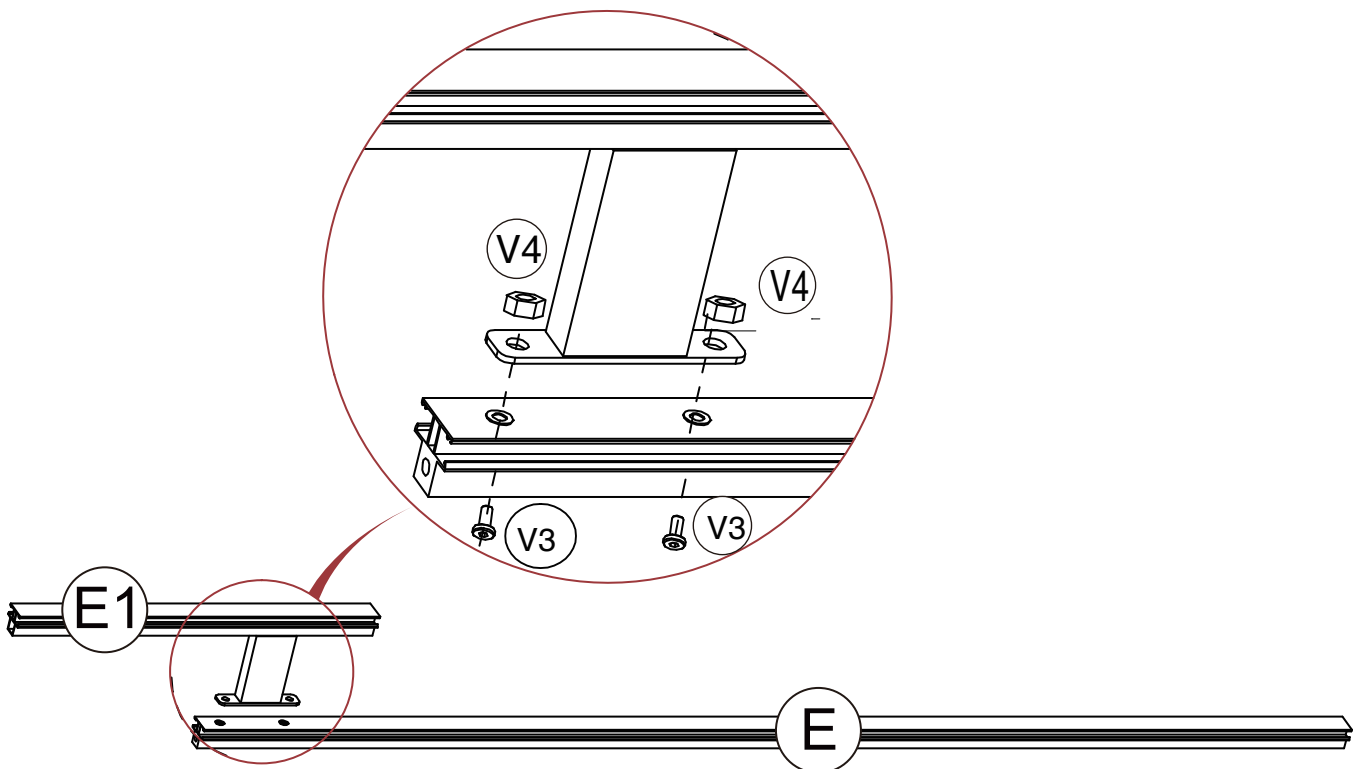


Place P Beam Corner Wrap Trim (4pcs) on the four corners of the crossbeam and fix it with Z Screw(8pcs);Place L1/L2Diagonal bracing (4pcs) at the anglebetween the crossbeam and the column,and fix them with screws V Screw (32pcs);

# STEP 7: Install the vertex bone

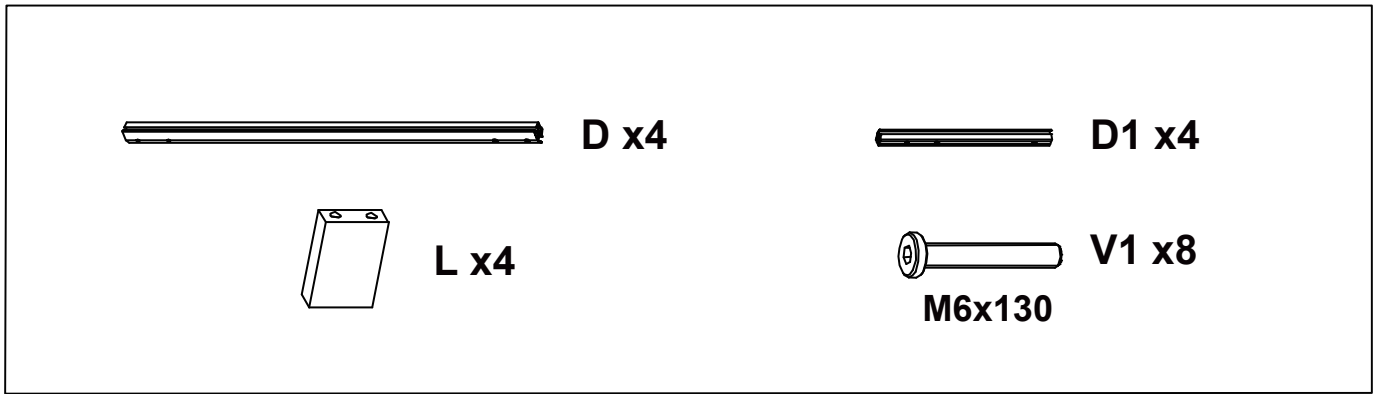


# X6

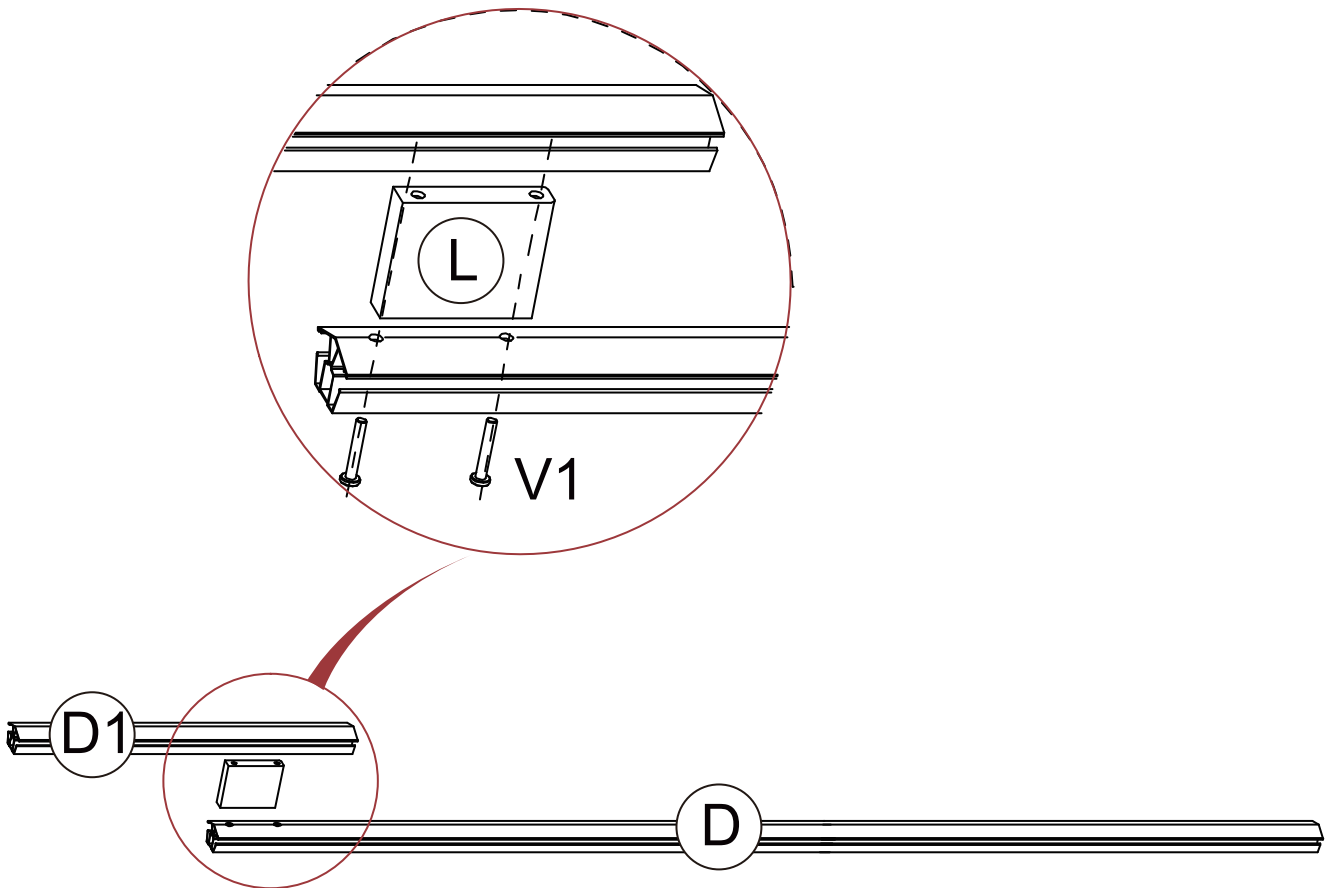


Fix E1 Short rafter (6pcs) and E rafter (6pcs) with screw V3 (12pcs) and nut V4 (12pcs) ;

# STEP 8: Install the vertex bone

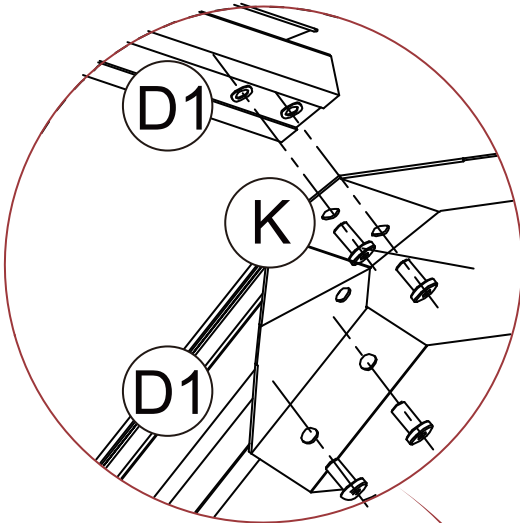
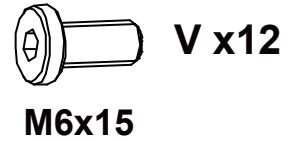
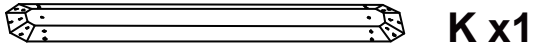


X4



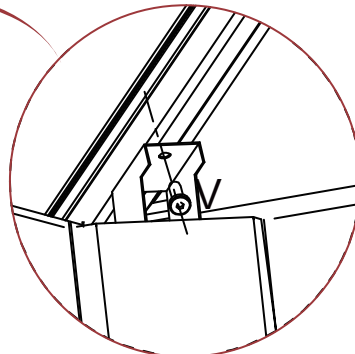
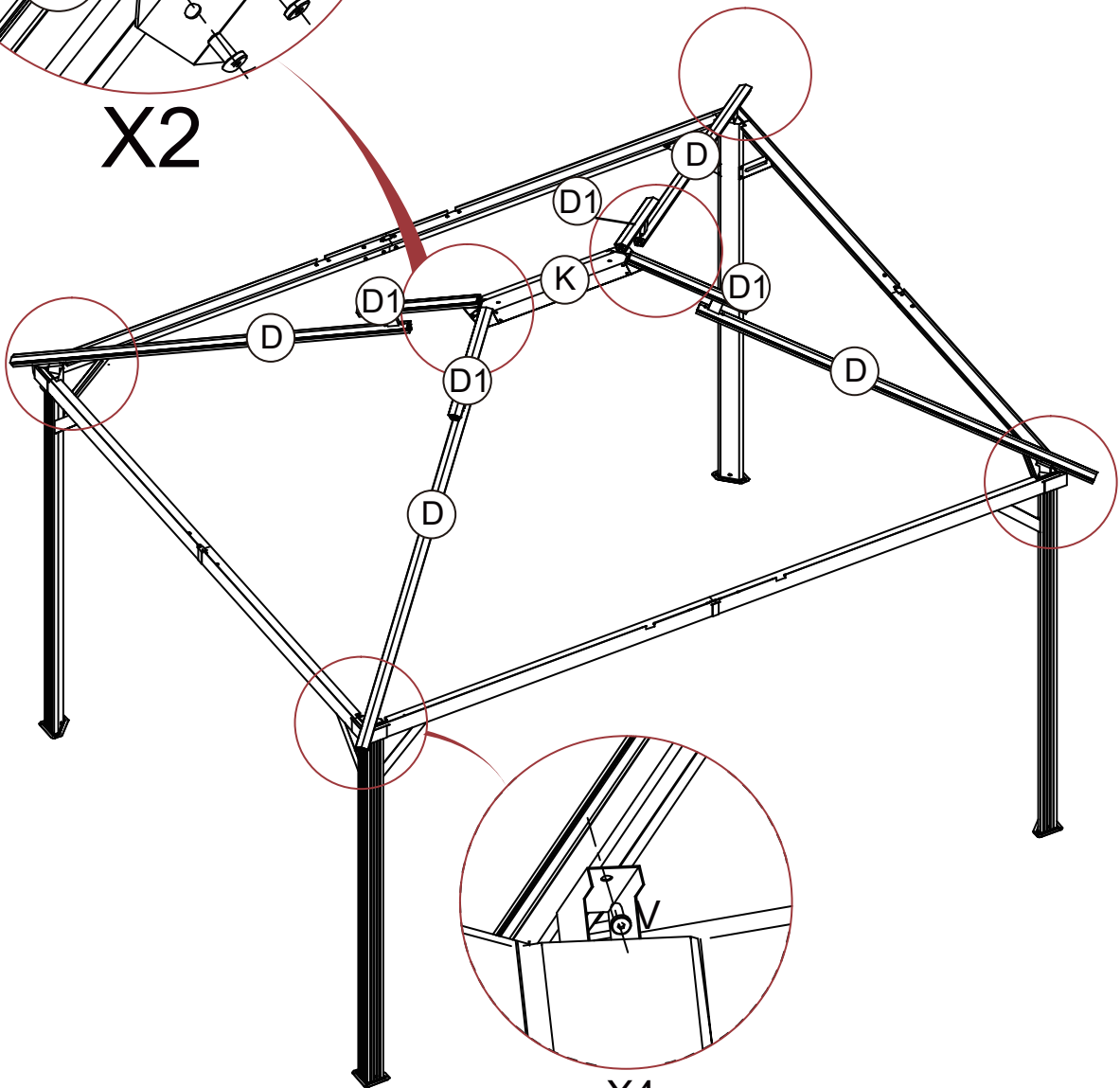
Fix D1(4pcs) and D(4pcs) with screw V1(8pcs) ;

# STEP 9: Install the top frame



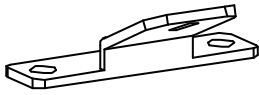
Fix K Bottom piece (1pc) and D1 Short corner beam with V screw (8pcs); Fix A1Connector and D corner beam with V screw (4pcs);

**X2**

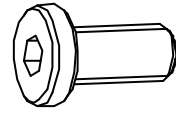


**X4**

# STEP 10: Install the top frame

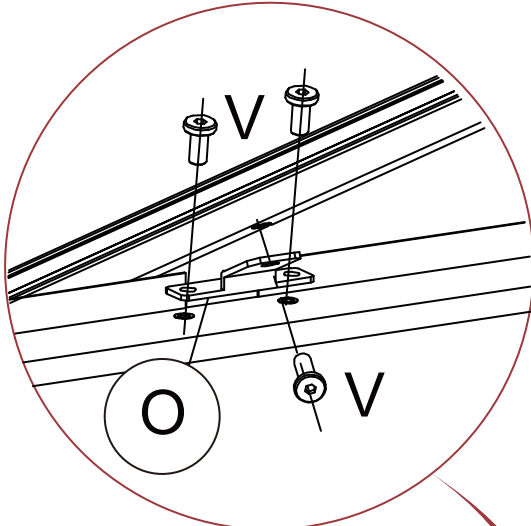


O x6

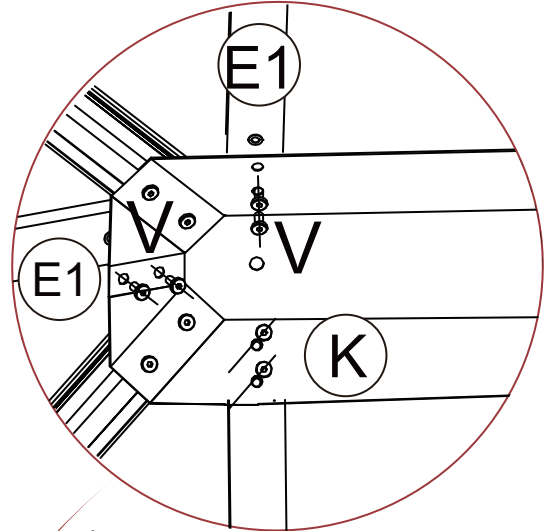


V x24

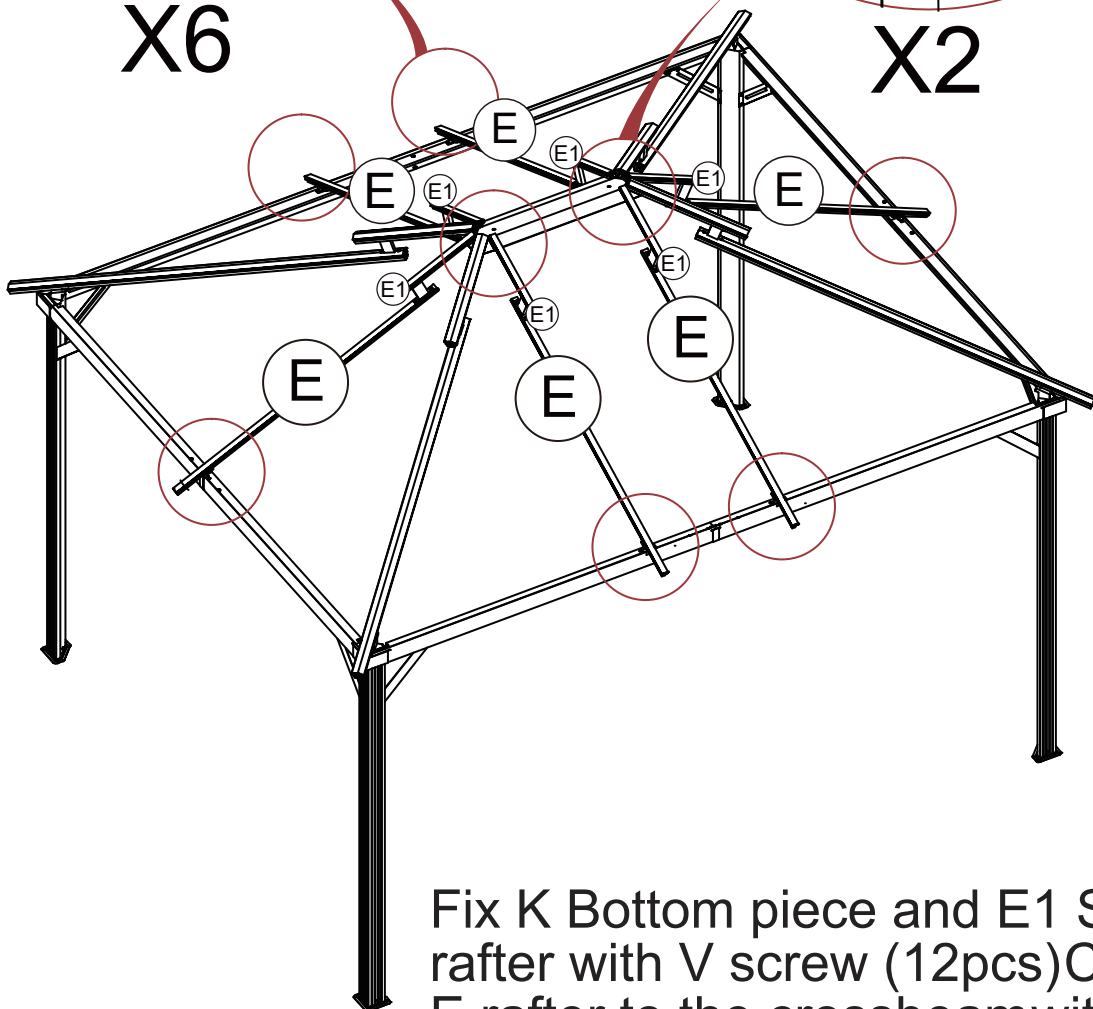
M6x15



X6

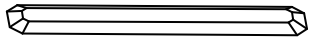


X2



Fix K Bottom piece and E1 Short rafter with V screw (12pcs) Connect E rafter to the crossbeam with O Rafter Connection (6pcs) and fix it with V screw (12pcs);

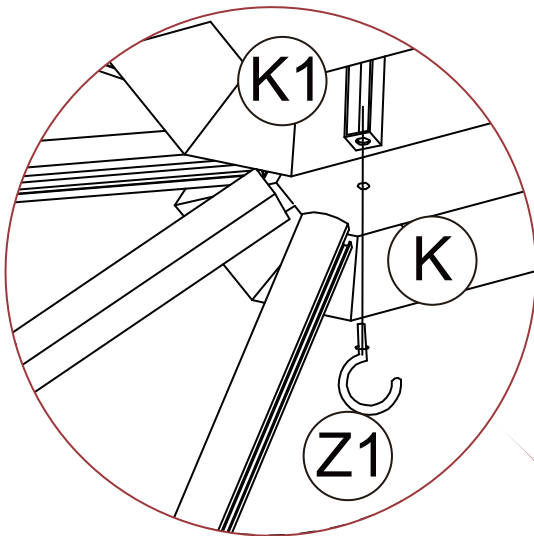
# STEP 11: Install the top



K1 x1

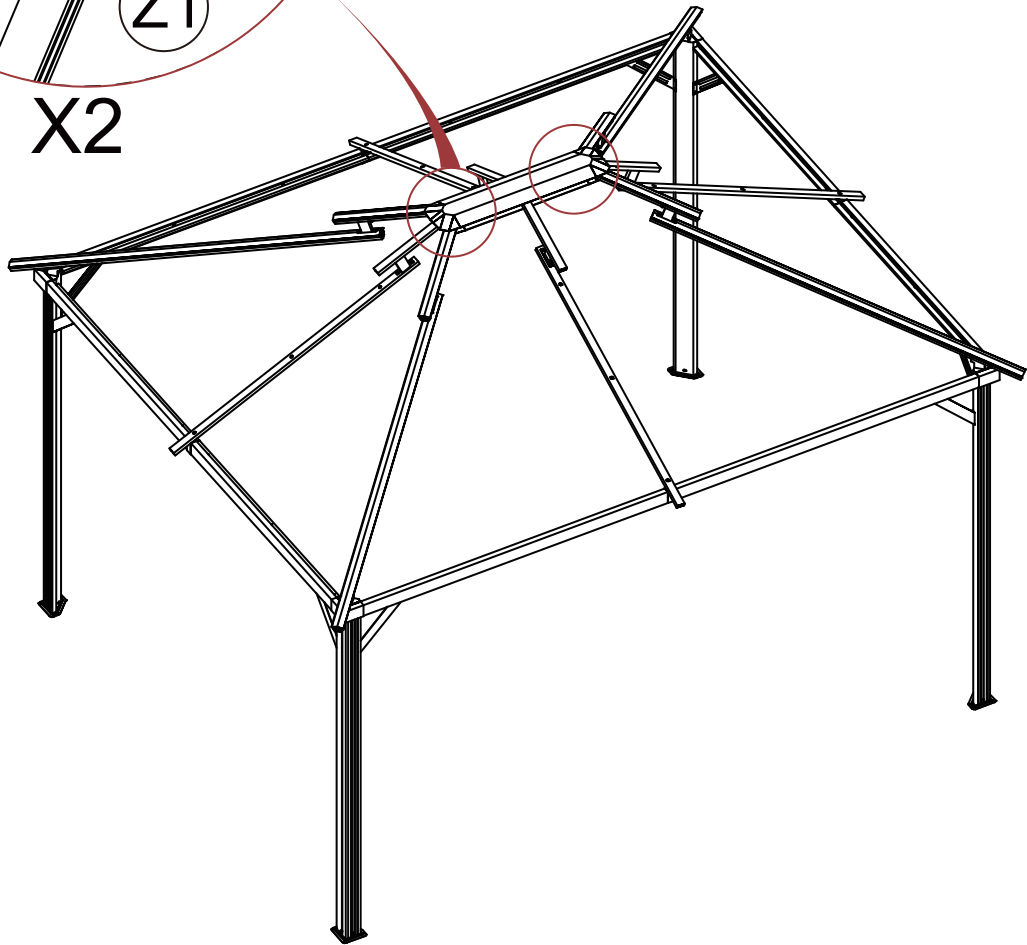


Z1 x2

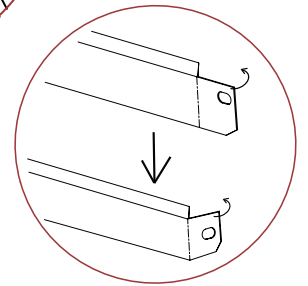
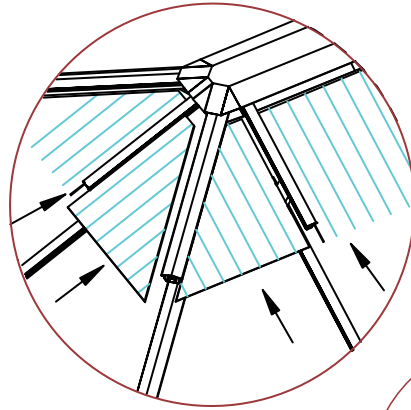
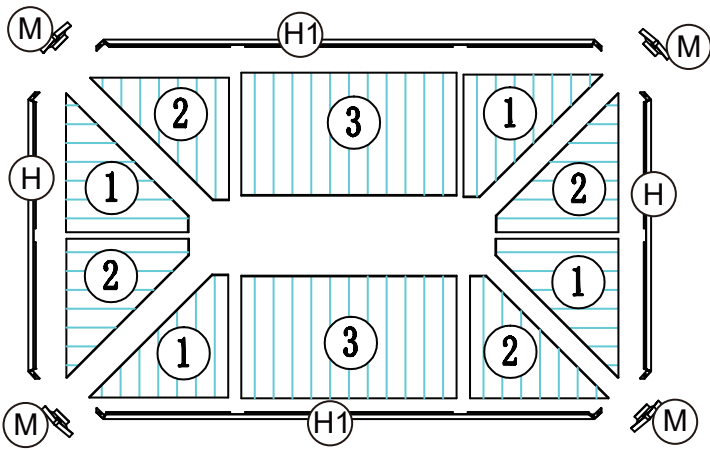
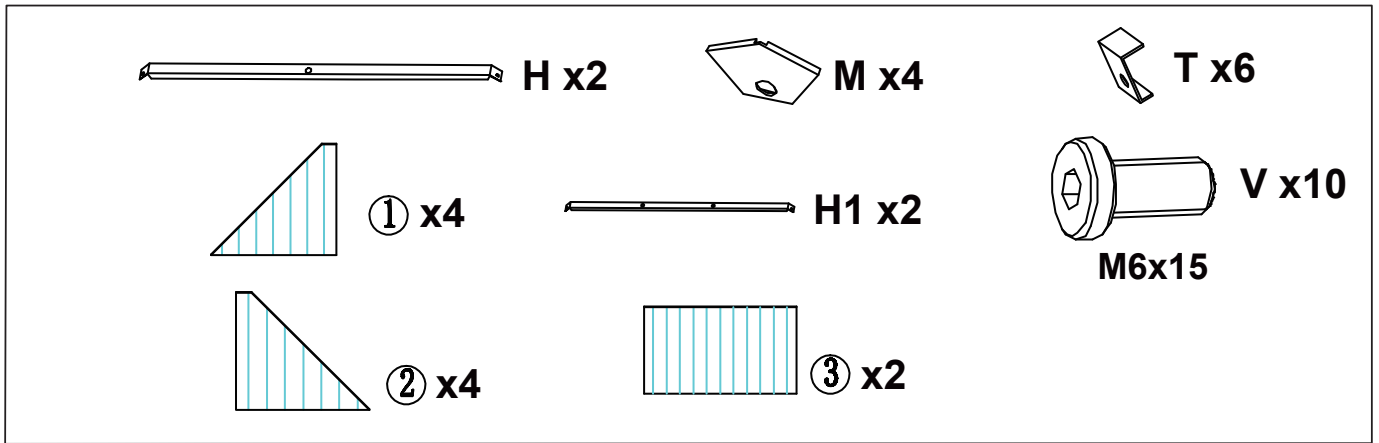


Fix K Bottom piece and K1 Top piece (1pcs) with Z1 Hook;

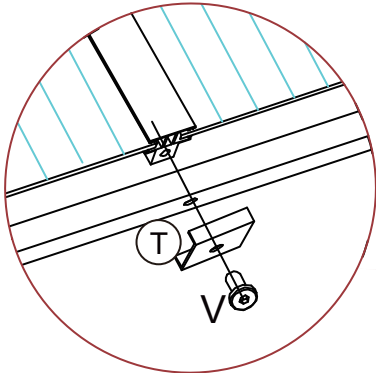
X2



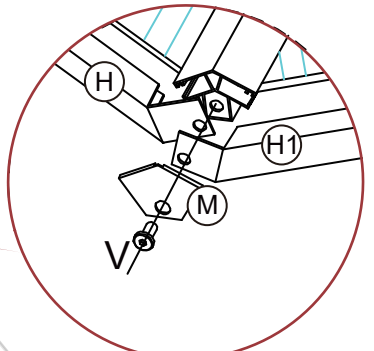
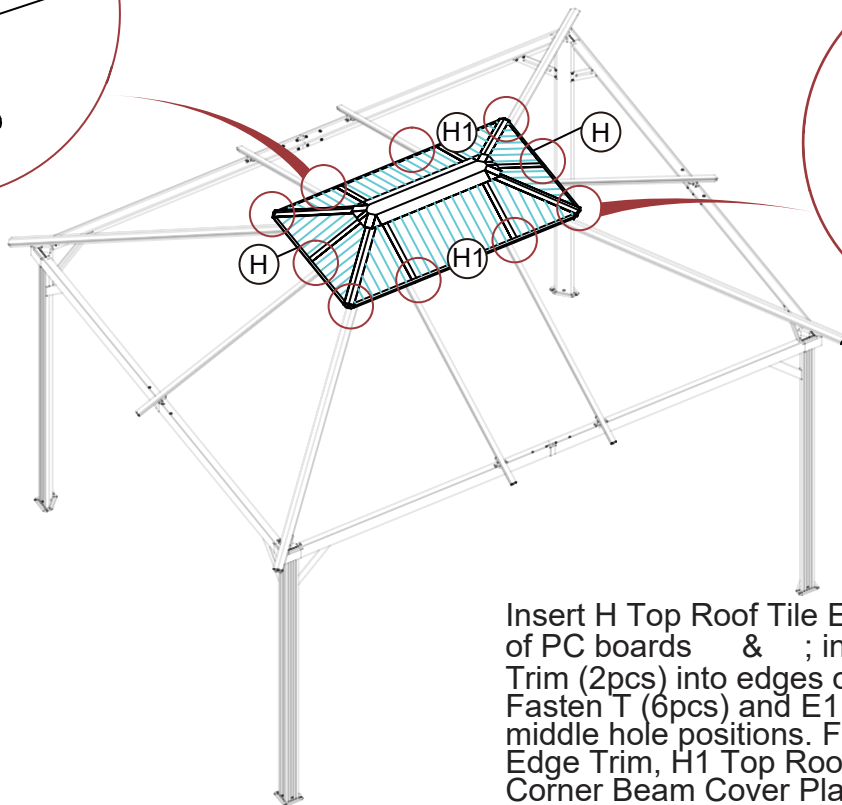
# STEP 12: Install the ceiling



Insert PC boards into the slots of D1/E1 short corner beams/short rafters in sequence as shown: (4 pcs), (4 pcs), (2 pcs).



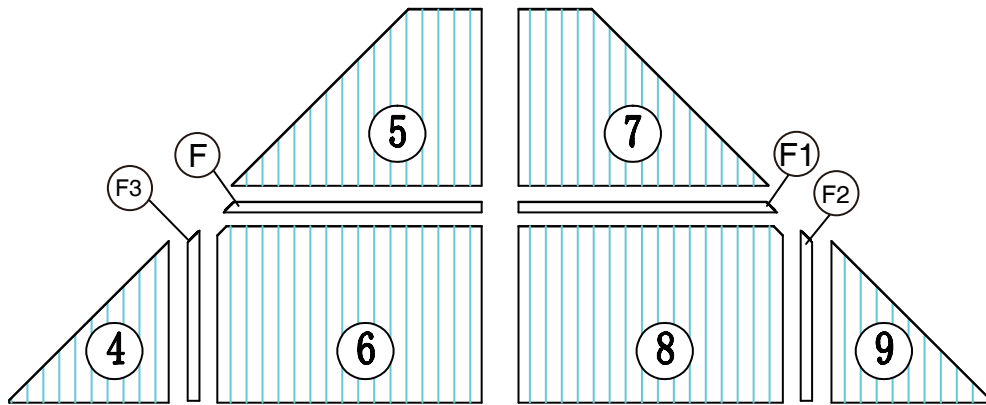
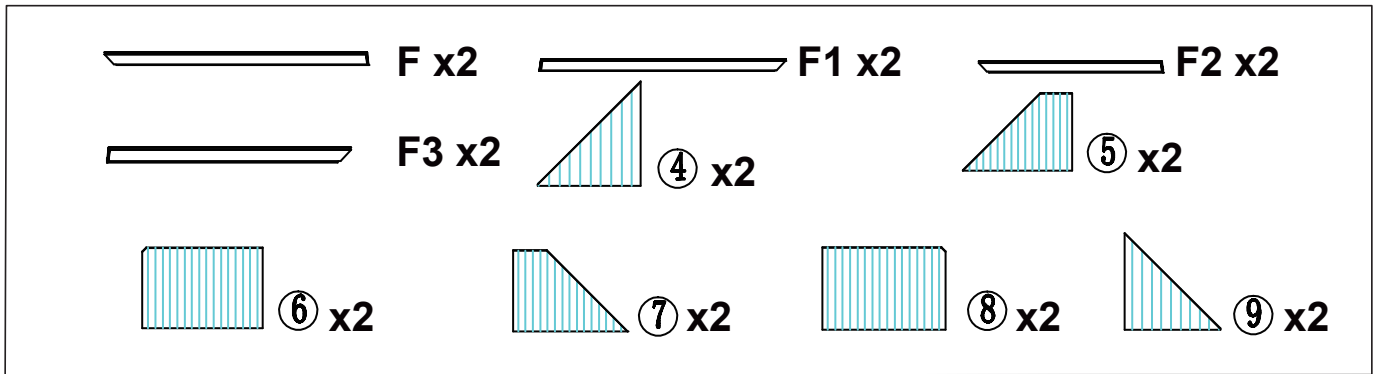
X6



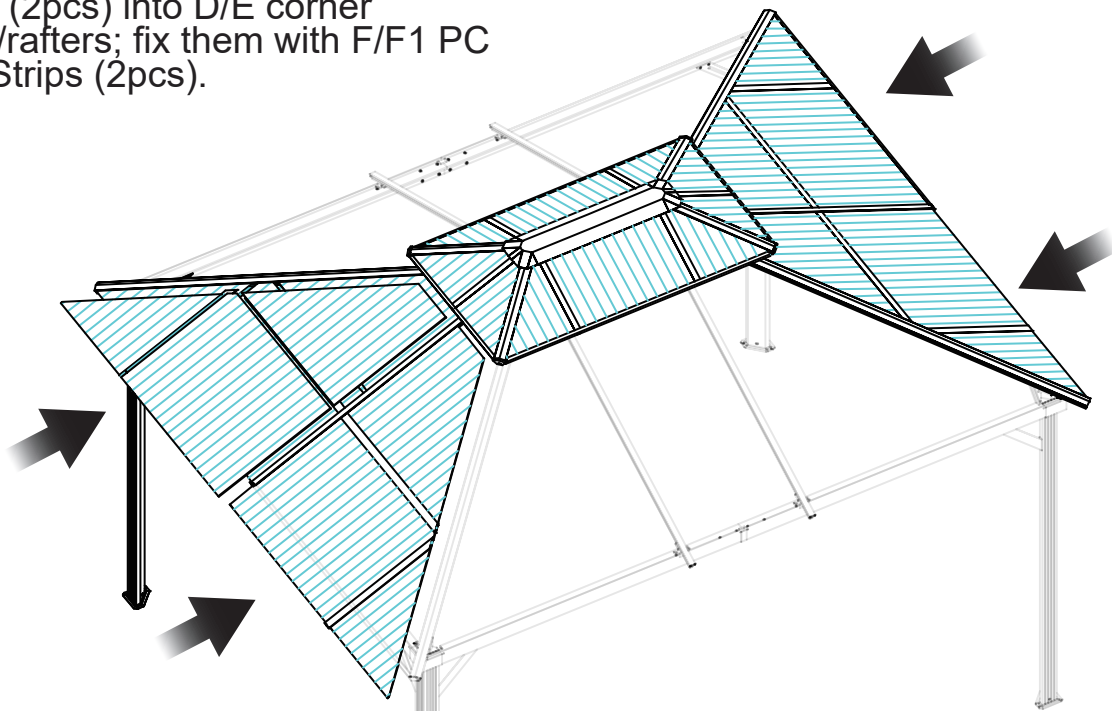
X4

Insert H Top Roof Tile Edge Trim (2pcs) into edges of PC boards & ; insert H1 Top Roof Tile Edge Trim (2pcs) into edges of PC boards & . Fasten T (6pcs) and E1 Short Rafter with V (6pcs) at middle hole positions. Finally, fix H Top Roof Tile Edge Trim, H1 Top Roof Tile Edge Trim and M Corner Beam Cover Plate (4pcs) with V Screw (4pcs) and D1 Short Corner Beam.

# STEP 13: Install the ceiling

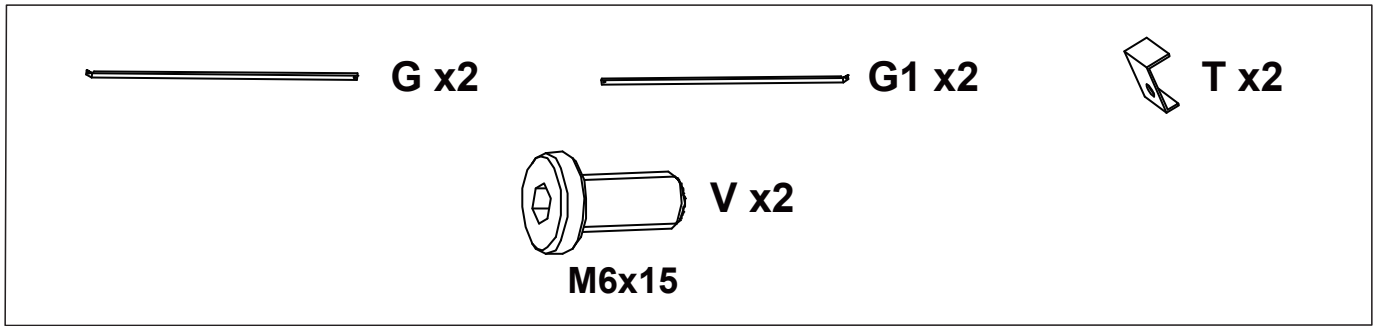


Insert PC boards (2pcs) and PC boards (2pcs) into D/E corner beams/rafters; fix them with F/F1 PC Insert Strips (2pcs).

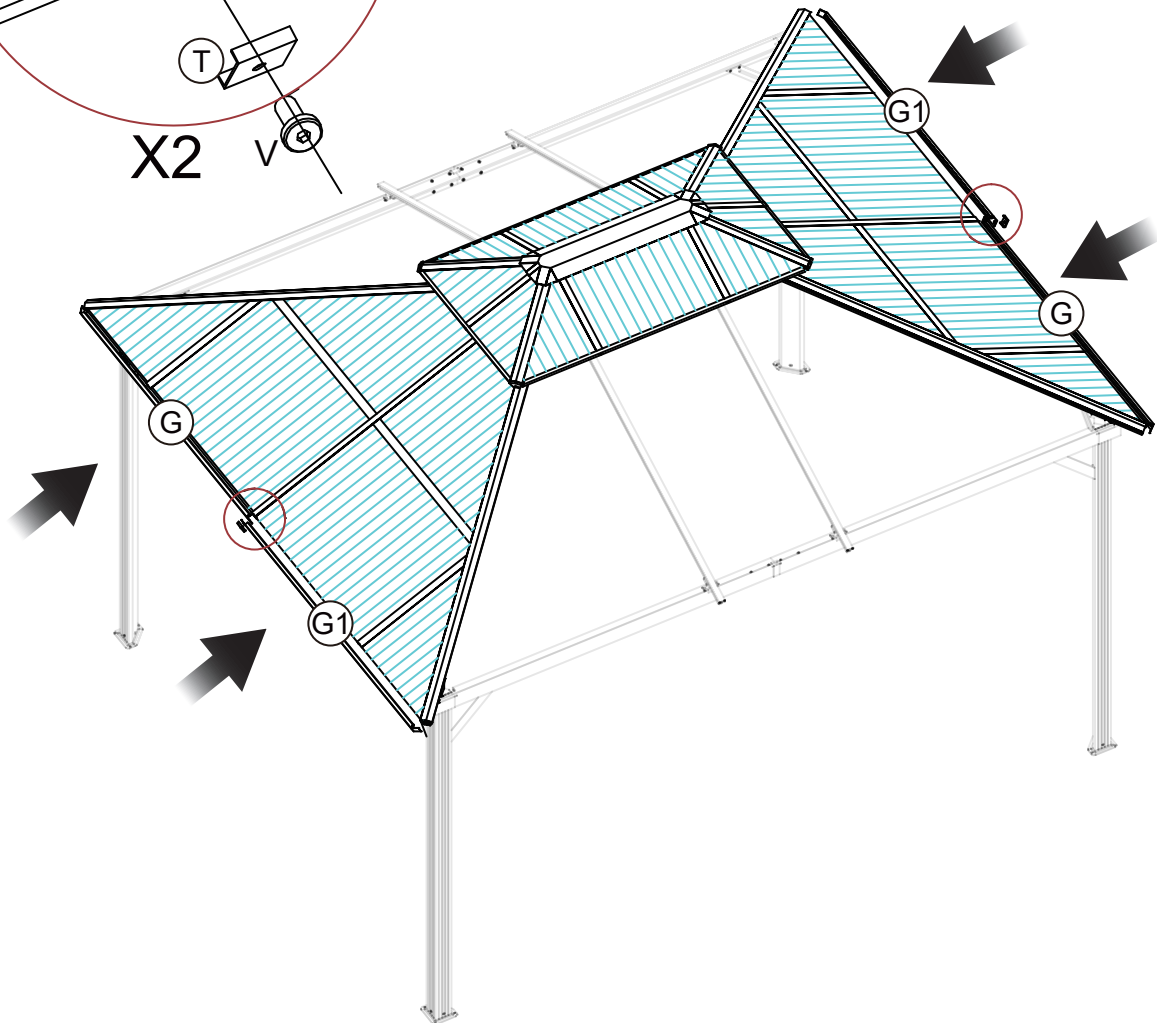
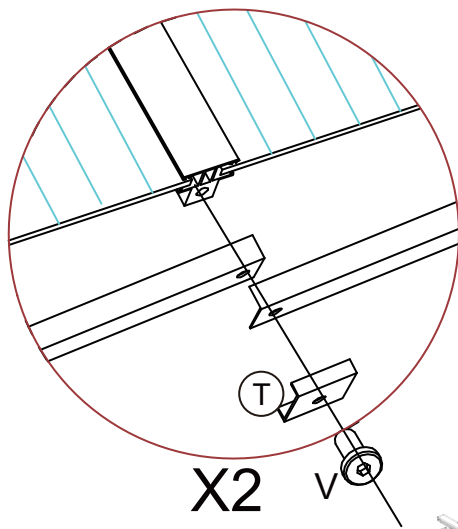
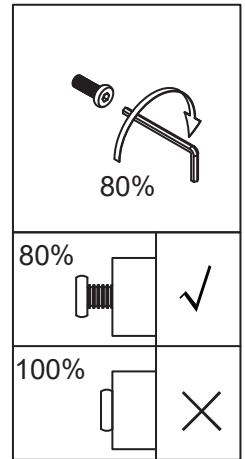


Fix PC boards and PC boards with F3 PC Insert Strip (2pcs), then insert them into D/E/F corner beam/rafter/PC Insert Strip slots; fix PC boards (2pcs) and PC boards (2pcs) with F2 PC Insert Strip (2pcs), then insert them into D/E/F1 corner beam/rafter/PC Insert Strip slots.

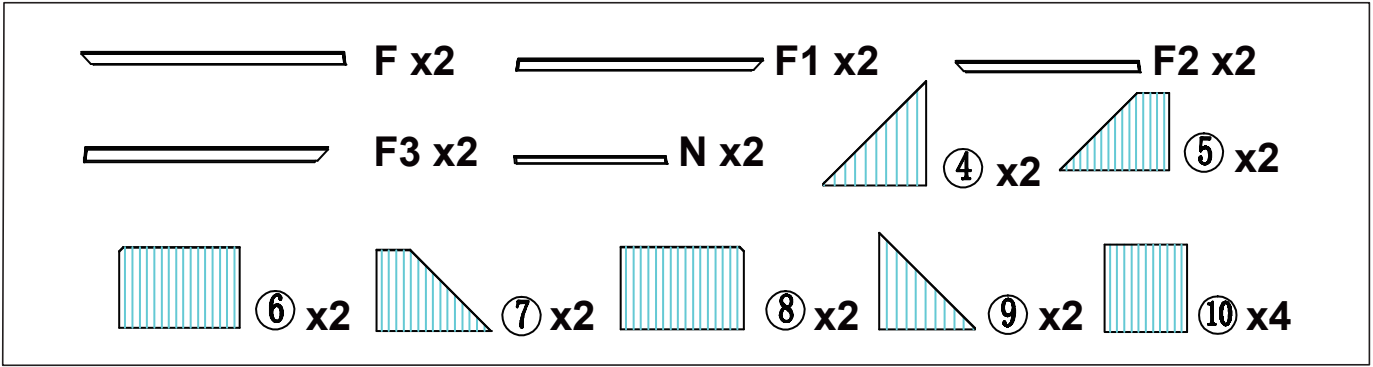
# STEP 14: Install the ceiling



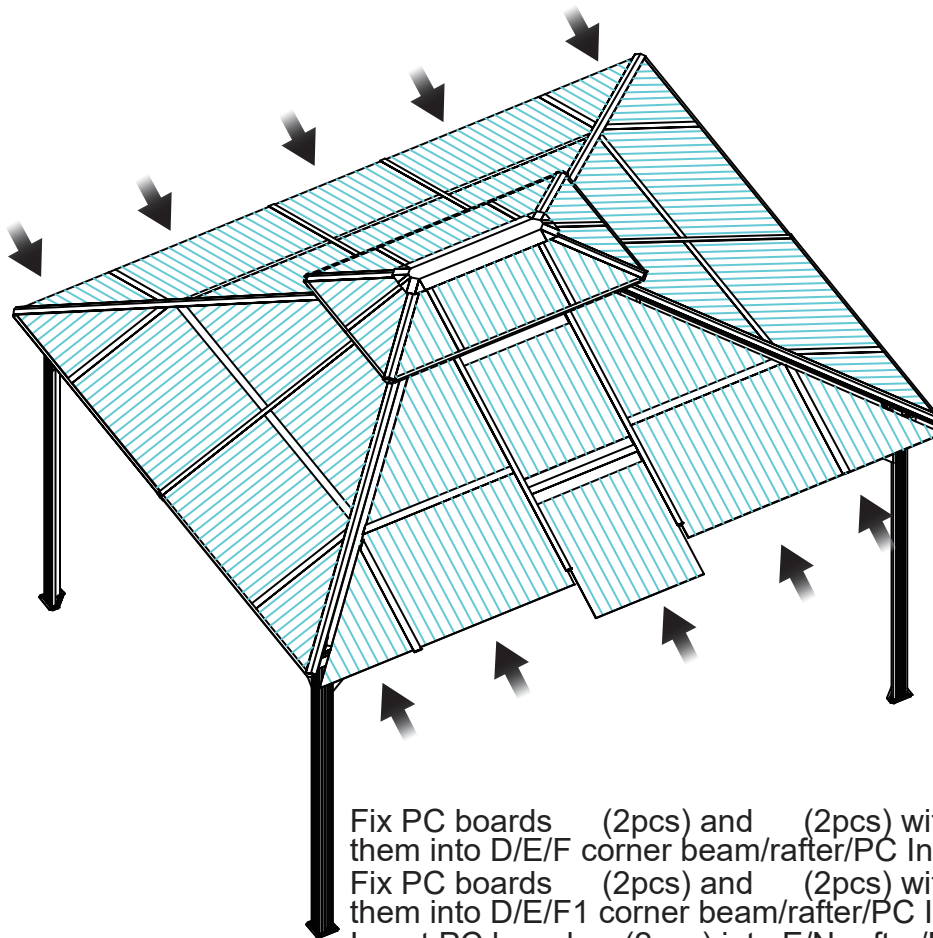
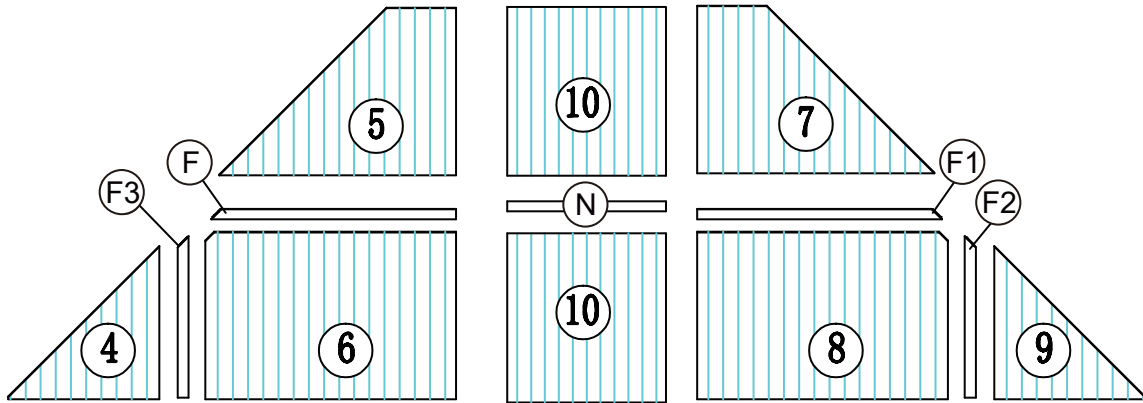
Insert G/G1 Main Roof Tile Edge Trim (2pcs) into edges of PC boards / / / ; cover the middle overlapping part with T Rafter Cover Plate (2pcs), then fix it to E rafter with V Screw (2pcs).



# STEP 15: Install the ceiling

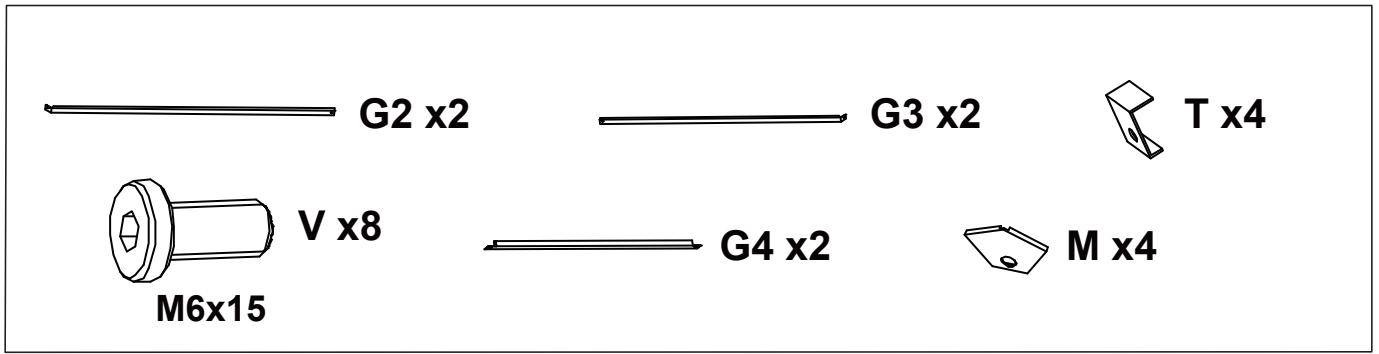


Insert PC boards (2pcs), (2pcs) and (2pcs) into D corner beam/E slots; secure with F/F1/N PC Insert Strip (2pcs).

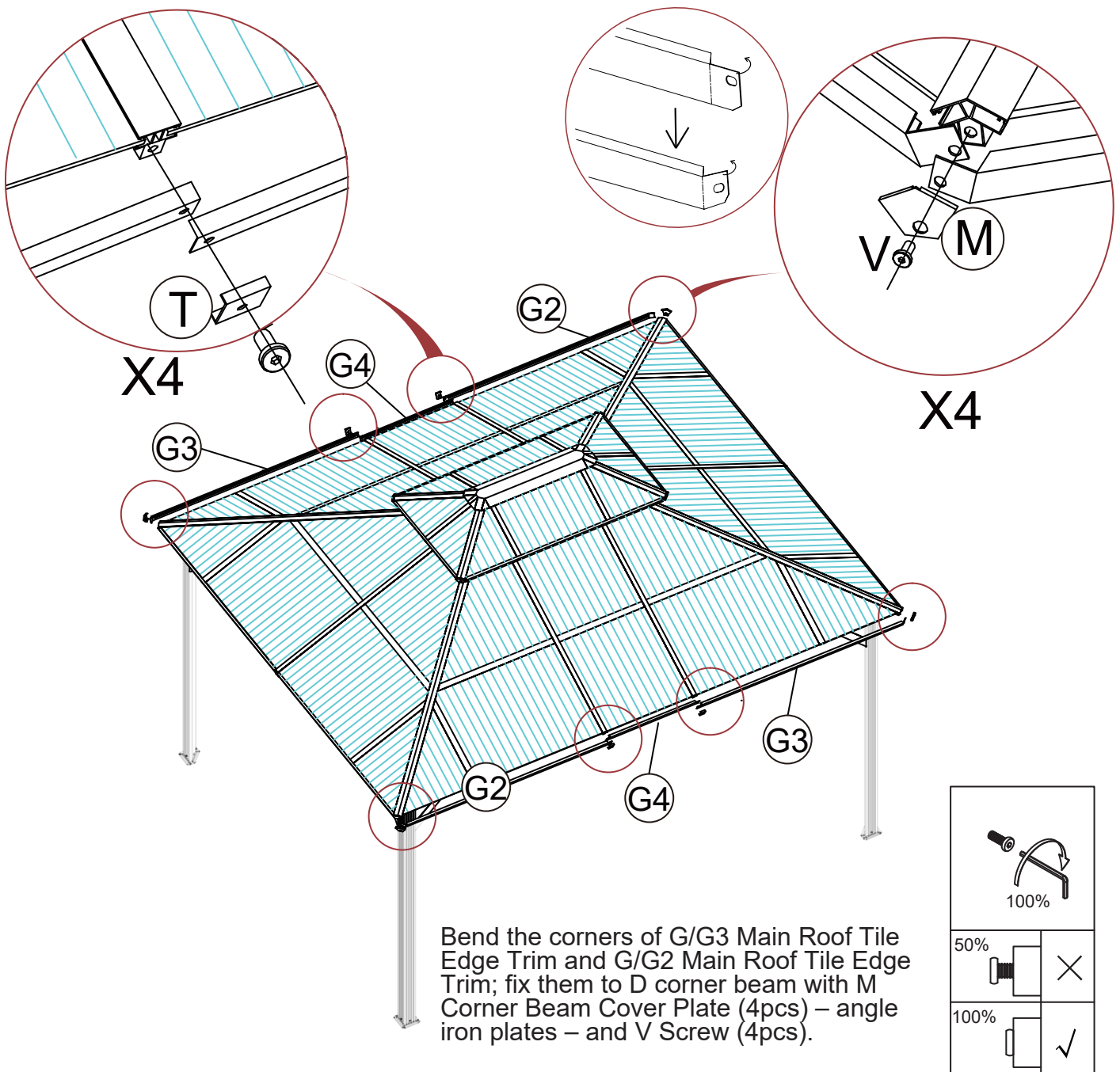


Fix PC boards (2pcs) and (2pcs) with F3 (2pcs), then insert them into D/E/F corner beam/rafter/PC Insert Strip slots;  
 Fix PC boards (2pcs) and (2pcs) with F2 (2pcs), then insert them into D/E/F1 corner beam/rafter/PC Insert Strip slots;  
 Insert PC board (2pcs) into E/N rafter/PC Insert Strip slots.

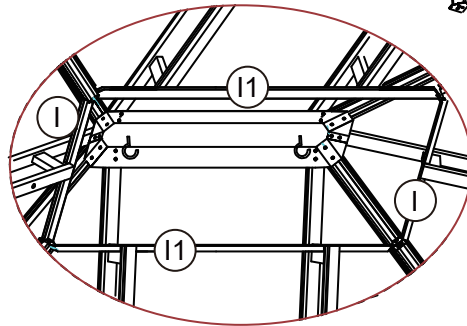
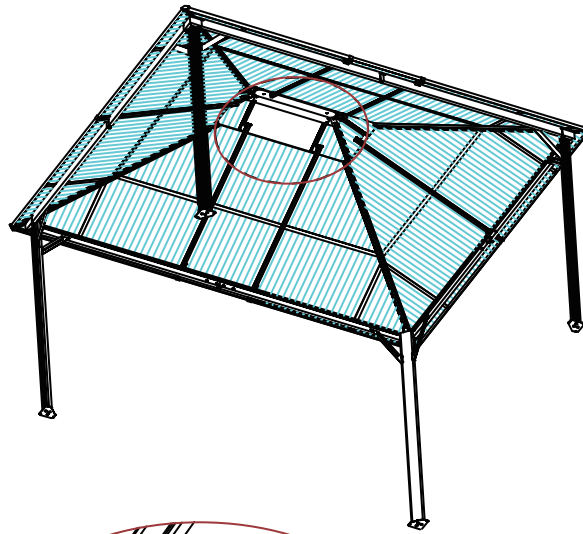
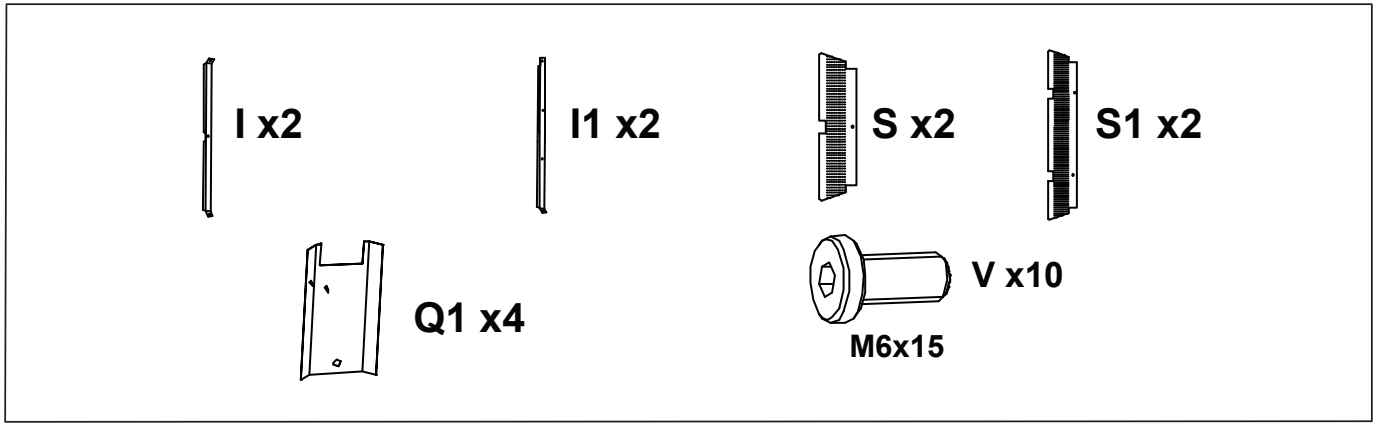
# STEP 16: Install the ceiling



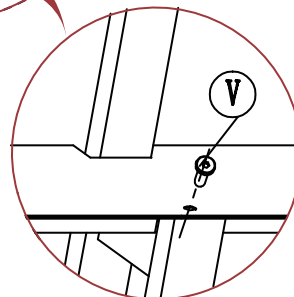
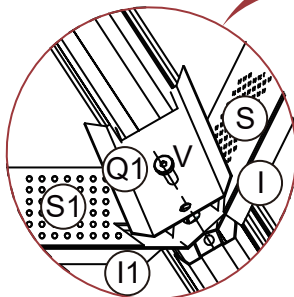
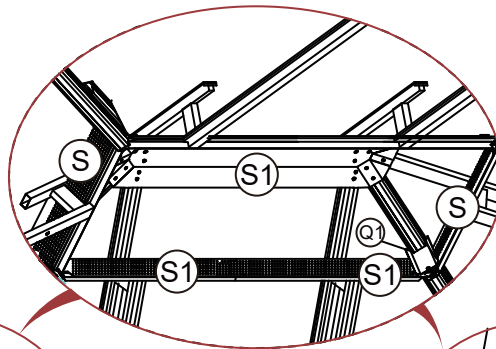
Lock G2 Main Roof Tile Edge Trim to PC boards / , G3 Main Roof Tile Edge Trim to PC boards / , and G4 to PC boards ; fix G2/G3/G4 Main Roof Tile Edge Trim (2pcs) at the overlapping position on E rafter with T Rafter Cover Plate (4pcs) and V Screw (4pcs).



# STEP 17: Install the inner top



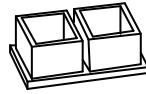
Insert I/I1 Top Inner Trim (2pcs) into PC boards / / ; stack S/S1 Hollow-out Baffle (2pcs) on top of I/I1 Top Inner Trim; finally, overlap the four corners of I/I1 and S/S1 with Q1 Four-Corner Baffle (4pcs), then fix them to D/D1 corner beams with V Screw (10pcs).



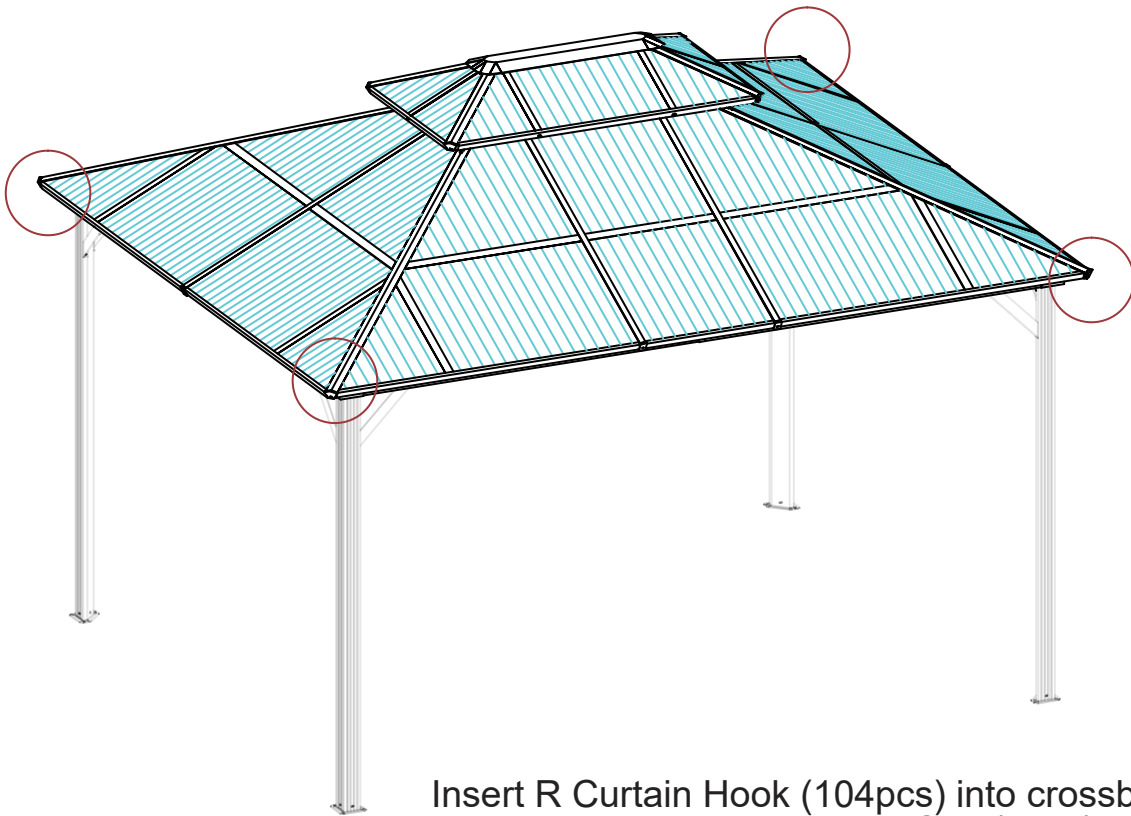
# STEP 18: Install fence accessories



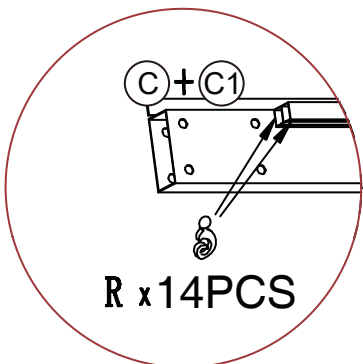
R x104



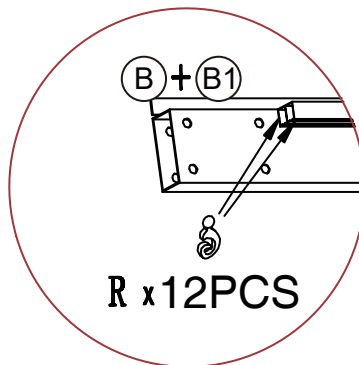
Z7 x8



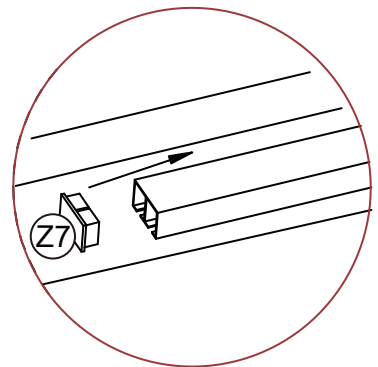
Insert R Curtain Hook (104pcs) into crossbeam slots; block the slots with Z7 Track Cap (8pcs).



R x14PCS

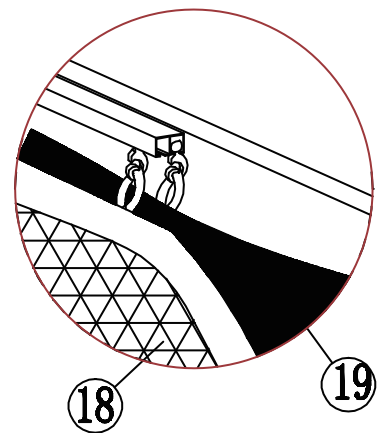
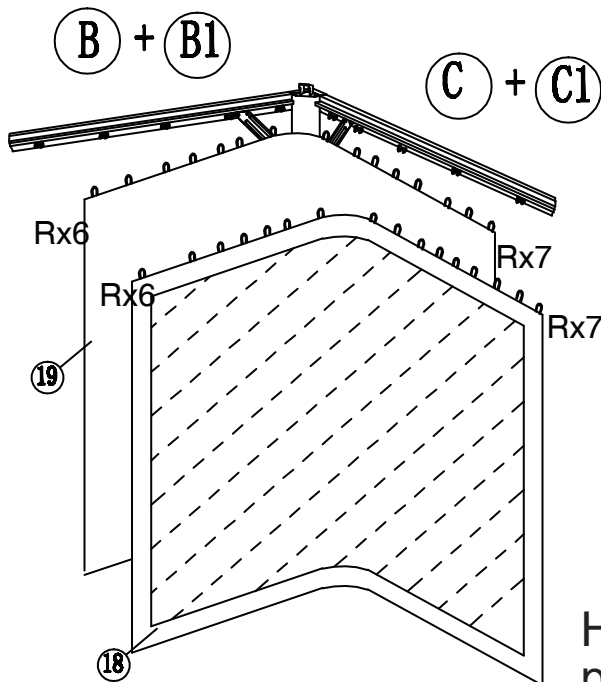
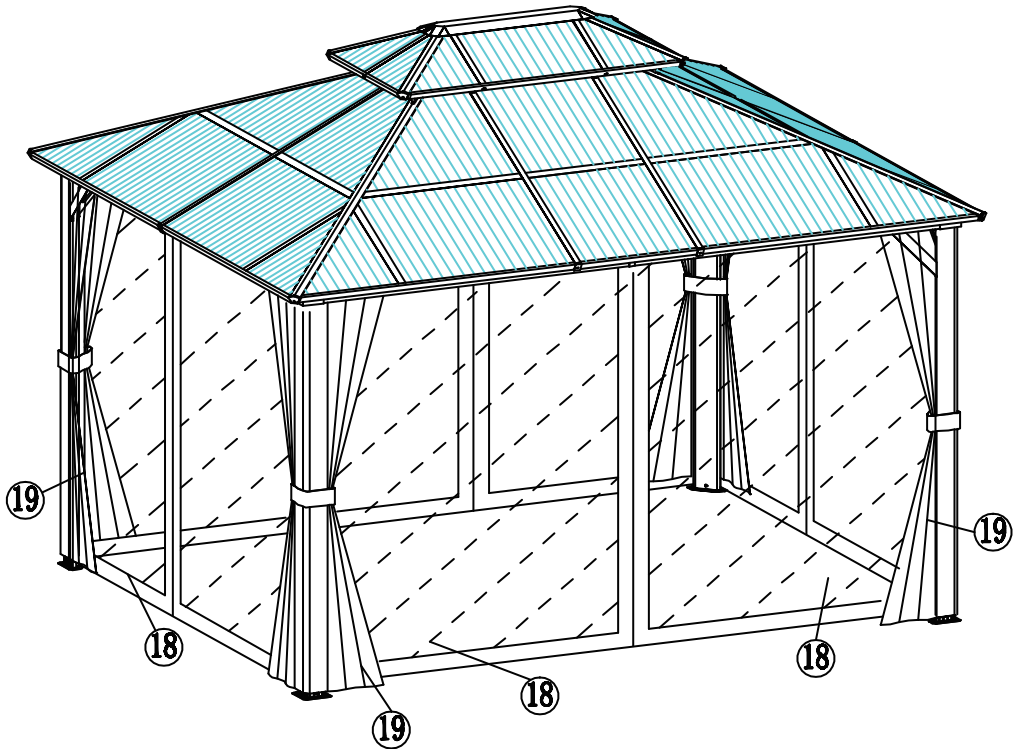
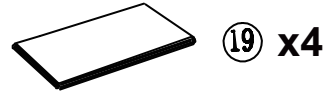
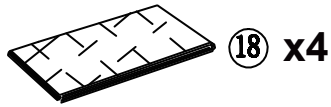


R x12PCS



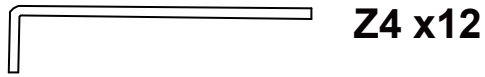
Attention: There are 2 card slots, with the plastic hooks of the outer slot facing outward and the plastic hooks of the inner slot facing inward

# STEP 19: Install curtain and mesh

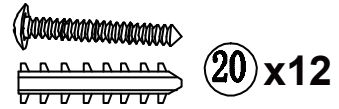


Hang the curtain on the plastic hook of the outer groove, and hang the mesh on the plastic hook of the inner groove

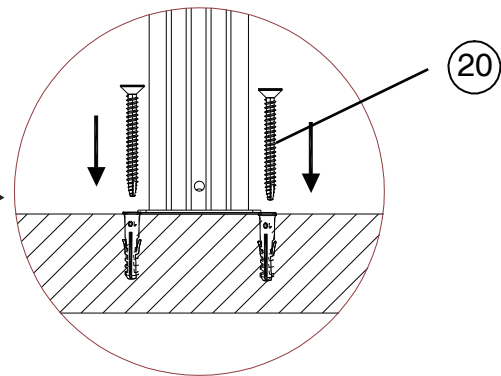
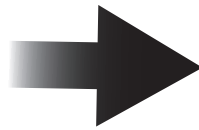
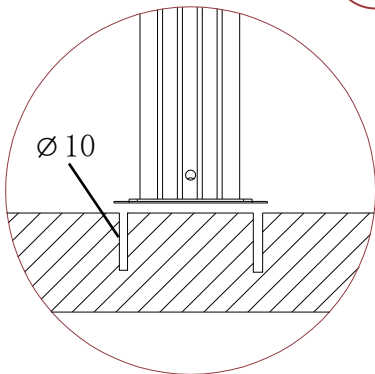
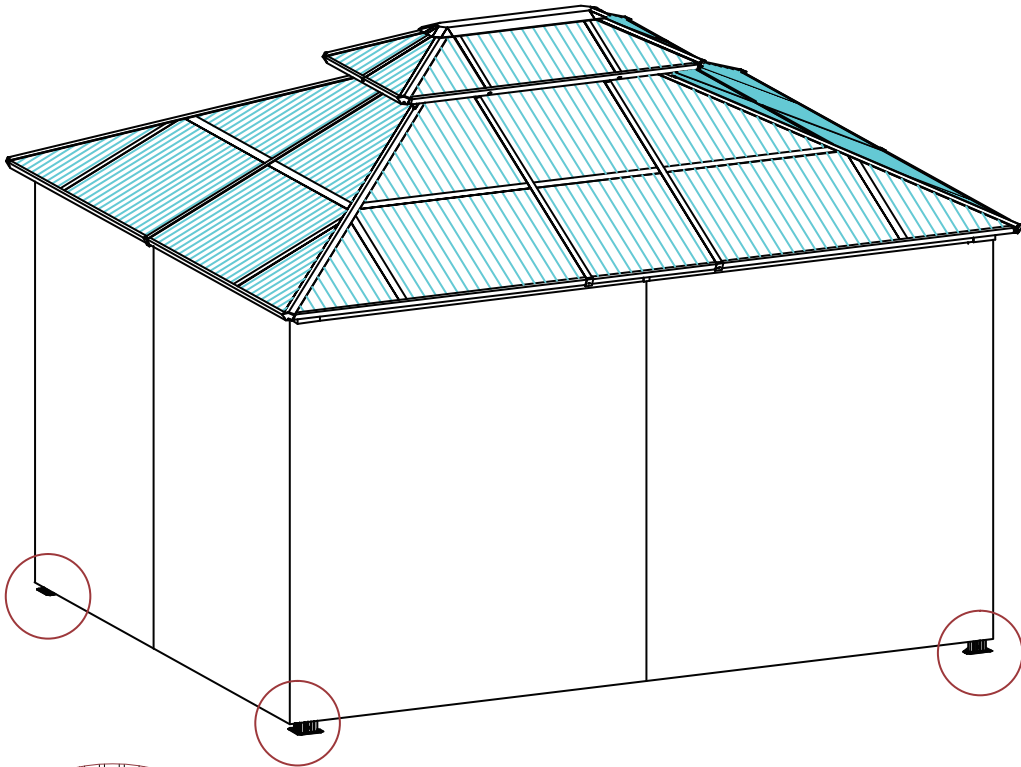
# STEP 20: Install ground nails



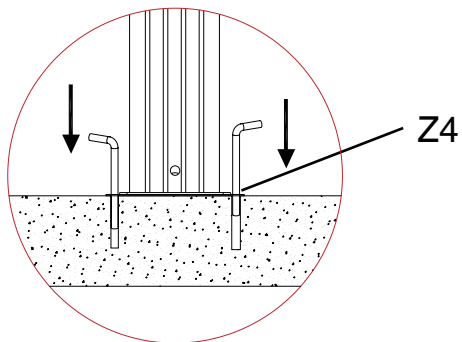
Z4 x12



20 x 20



OR



The Z4 (12pcs) ground nail fastener can be used in garden soil terrain, and the expansion.

screw (12pcs) can be used in concrete terrain, requiring the use of a 10 bit drill to drill holes.