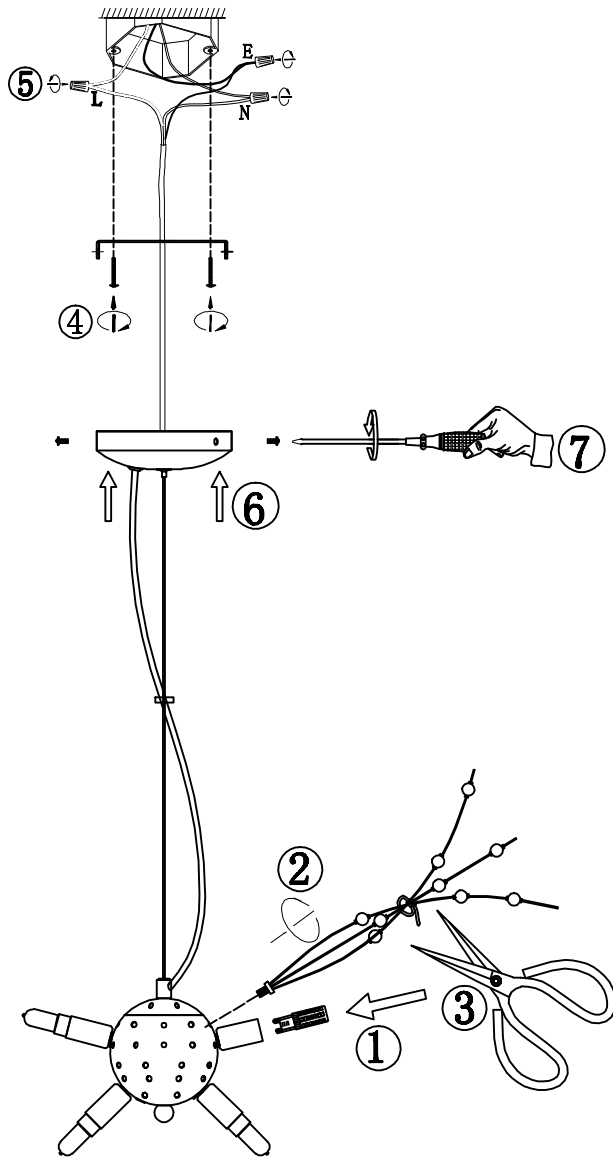


Installation diagram



Installation steps:

First open the outer box, find out all kinds of accessories, and carefully placed on a clean platform, to prevent scratches, collision light body.

- 1; Insert the bulb into the cap
- 2; Screw all the wooden beads into the hole reserved in the lamp body
- 3; Cut the tie with a pair of scissors and let the flowers spread.
4. Fix the mounting plate to the junction box with the screws on the fitting bag
- 5; Connect the main line on the suction top plate with the wire reserved on the ceiling with a wiring cap
- 6-7; Cover the whole lamp to the hanging plate, and then align the screw with the teeth on the side of the hanging plate and twist it in (without screwdriver).

Notes:

It is strictly prohibited to wipe the surface of lamp body with tianna and other chemical solvents. Cotton cloth is recommended Glue a small amount of water to gently wipe the lamp.

Warm tips: this lamp is only for indoor installation and is strictly prohibited for outdoor use