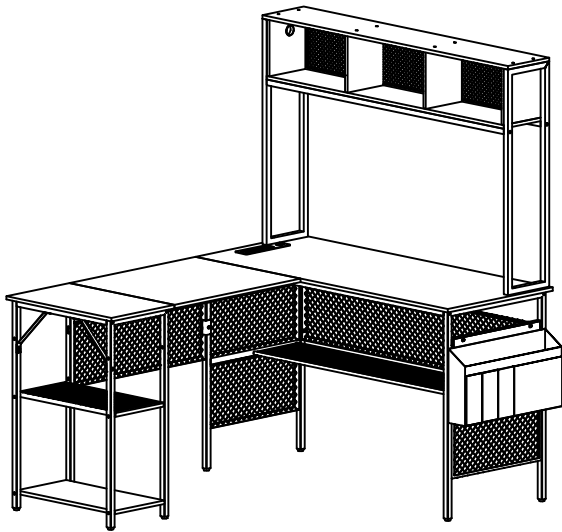
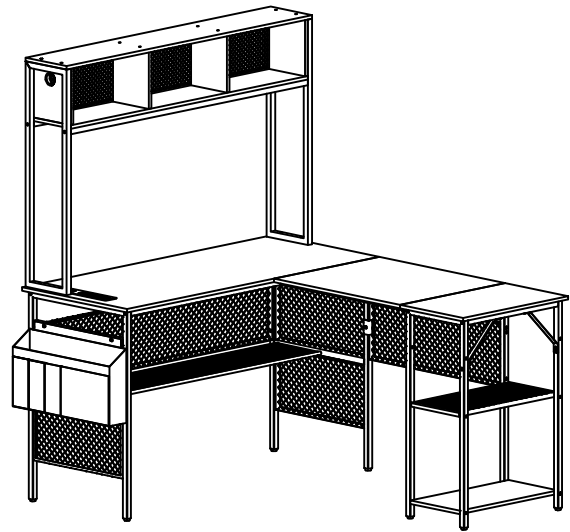


# ***L-Shaped Desk with Hutch***

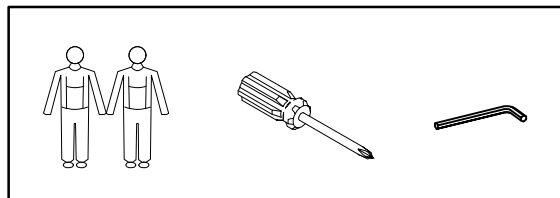
## ASSEMBLY INSTRUCTION



**Option A**



**Option B**



### **CAUTION**

Put the screws in loosely until all pieces are together and then tighten them all.  
It will save your time if you make a mistake while installing.

Dear Customers,

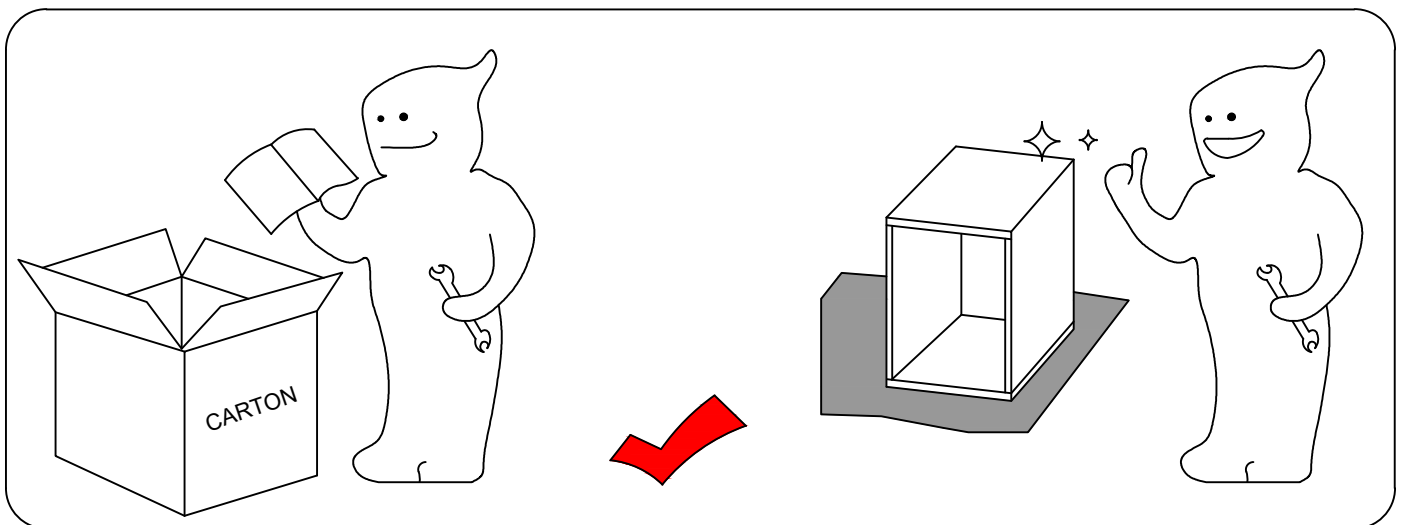
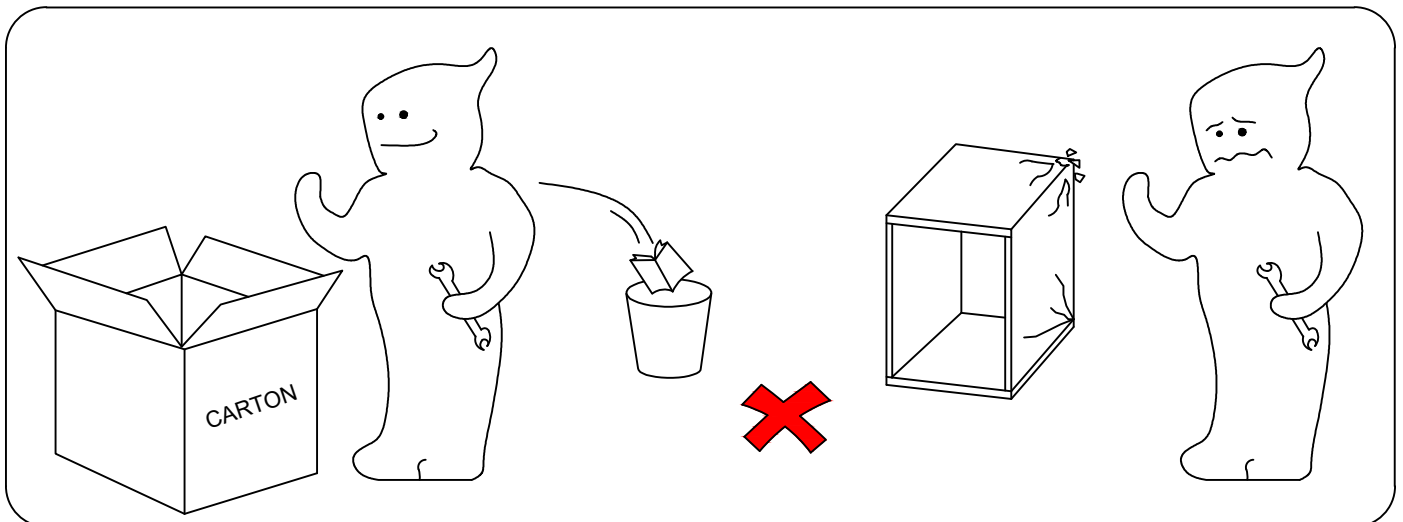
## Thank you for purchasing our products.

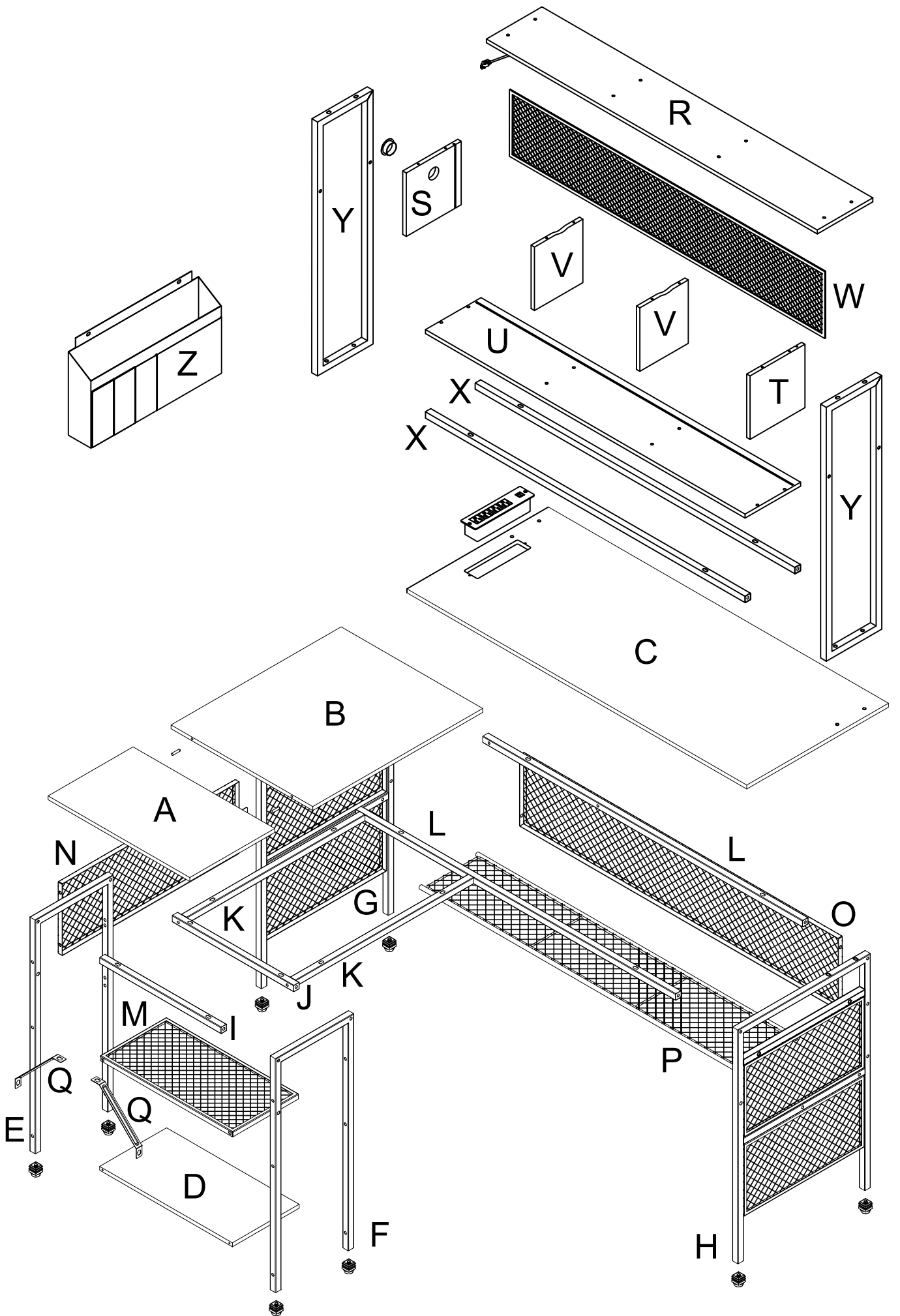
As a reliable seller, we have been pursuing to provide customers with 100% satisfied products and services, so we hope that you will enjoy this shopping experience.

If you find any damage, missing parts, or dissatisfaction after receiving the product, please contact us freely at the first time. We will provide you with a 100% satisfactory solution.

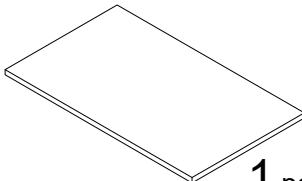
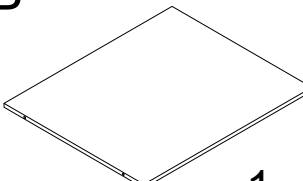
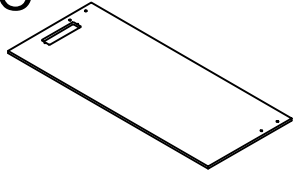
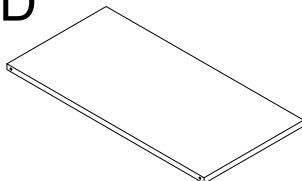
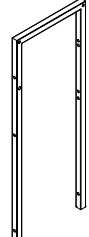
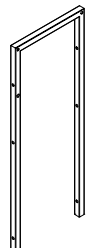
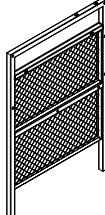
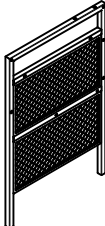
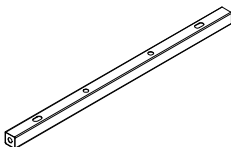
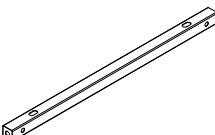
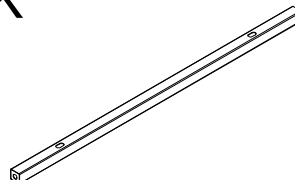
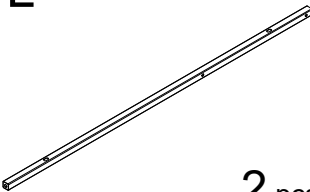
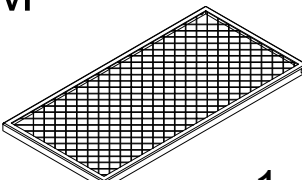
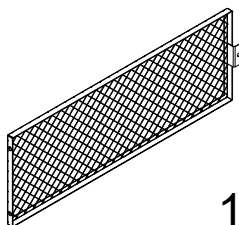
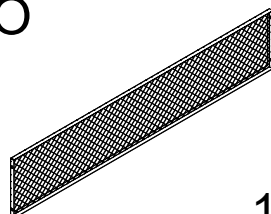
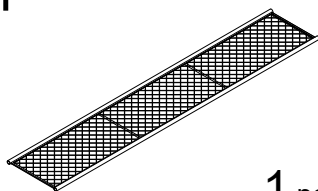

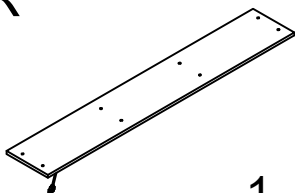
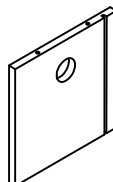
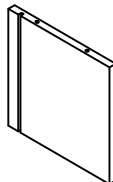
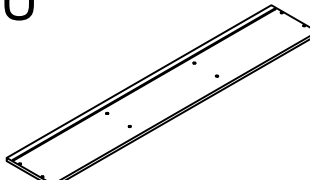
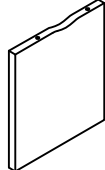
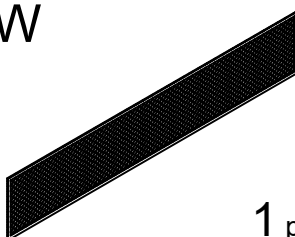
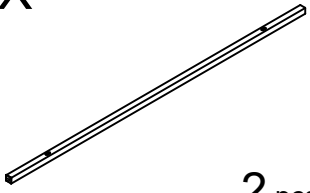
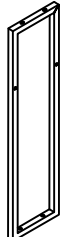
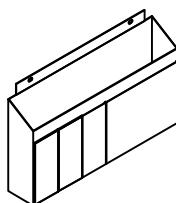


Please follow the instruction manuals and use a pad to protect the product during your assembly.

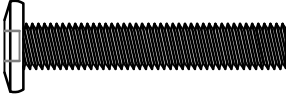
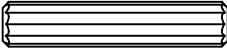
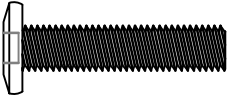
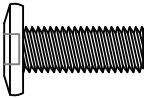
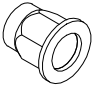
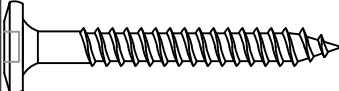
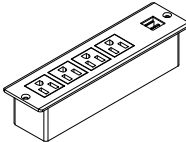

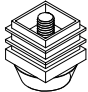
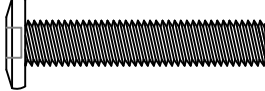
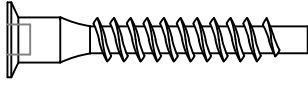
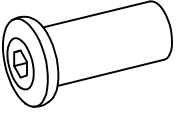
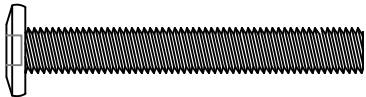
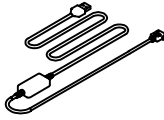
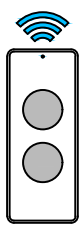
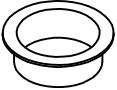

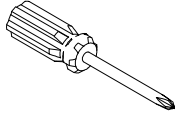
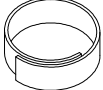




PART LIST

<p><b>A</b></p>  <p>1 pc</p>	<p><b>B</b></p>  <p>1 pc</p>	<p><b>C</b></p>  <p>1 pc</p>	<p><b>D</b></p>  <p>1 pc</p>
<p><b>E</b></p>  <p>1 pc</p>	<p><b>F</b></p>  <p>1 pc</p>	<p><b>G</b></p>  <p>1 pc</p>	<p><b>H</b></p>  <p>1 pc</p>
<p><b>I</b></p>  <p>1 pc</p>	<p><b>J</b></p>  <p>1 pc</p>	<p><b>K</b></p>  <p>2 pcs</p>	<p><b>L</b></p>  <p>2 pcs</p>
<p><b>M</b></p>  <p>1 pc</p>	<p><b>N</b></p>  <p>1 pc</p>	<p><b>O</b></p>  <p>1 pc</p>	<p><b>P</b></p>  <p>1 pc</p>
<p><b>Q</b></p>  <p>2 pcs</p>	<p><b>R</b></p>  <p>1 pc</p>	<p><b>S</b></p>  <p>1 pc</p>	<p><b>T</b></p>  <p>1 pc</p>
<p><b>U</b></p>  <p>1 pc</p>	<p><b>V</b></p>  <p>2 pcs</p>	<p><b>W</b></p>  <p>1 pc</p>	<p><b>X</b></p>  <p>2 pcs</p>
<p><b>Y</b></p>  <p>2 pcs</p>	<p><b>Z</b></p>  <p>1 pc</p>		

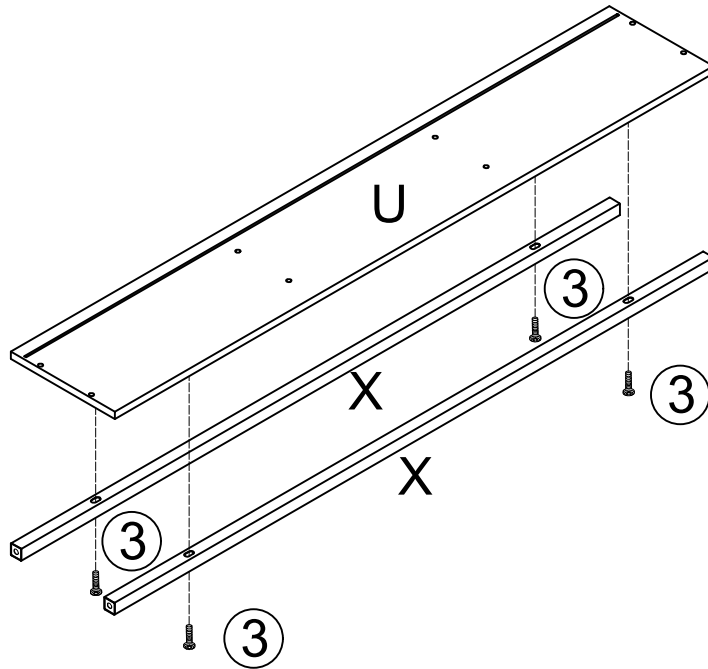
## HARDWARE LIST

<p>①</p>  <p>M6x35                      20 pcs</p>	<p>②</p>  <p>Ø6x30                      2 pcs</p>	<p>③</p>  <p>M6x27                      20 pcs</p>	<p>④</p>  <p>M6x16                      7 pcs</p>
<p>⑤</p>  <p>5 pcs</p>	<p>⑥</p>  <p>M5x45                      4 pcs</p>	<p>⑦</p>  <p>1 pc</p>	<p>⑧</p>  <p>M3x12                      2 pcs</p>
<p>⑨</p>  <p>20x20xM6                      8 pcs</p>	<p>⑩</p>  <p>M6x32                      10 pcs</p>	<p>⑪</p>  <p>M6x40                      16 pcs</p>	<p>⑫</p>  <p>M6x20                      4 pcs</p>
<p>⑬</p>  <p>M6x45                      4 pcs</p>	<p>⑭</p>  <p>1 pc</p>	<p>⑮</p>  <p>RF Remote Control 1 pc</p>	
<p>⑯</p>  <p>1 pc</p>	<p>⑰</p>  <p>M4                      1 pc</p>	<p>⑱</p>  <p>1 pc</p>	<p>⑲</p>  <p>2 pcs</p>

# Hutch Assembly

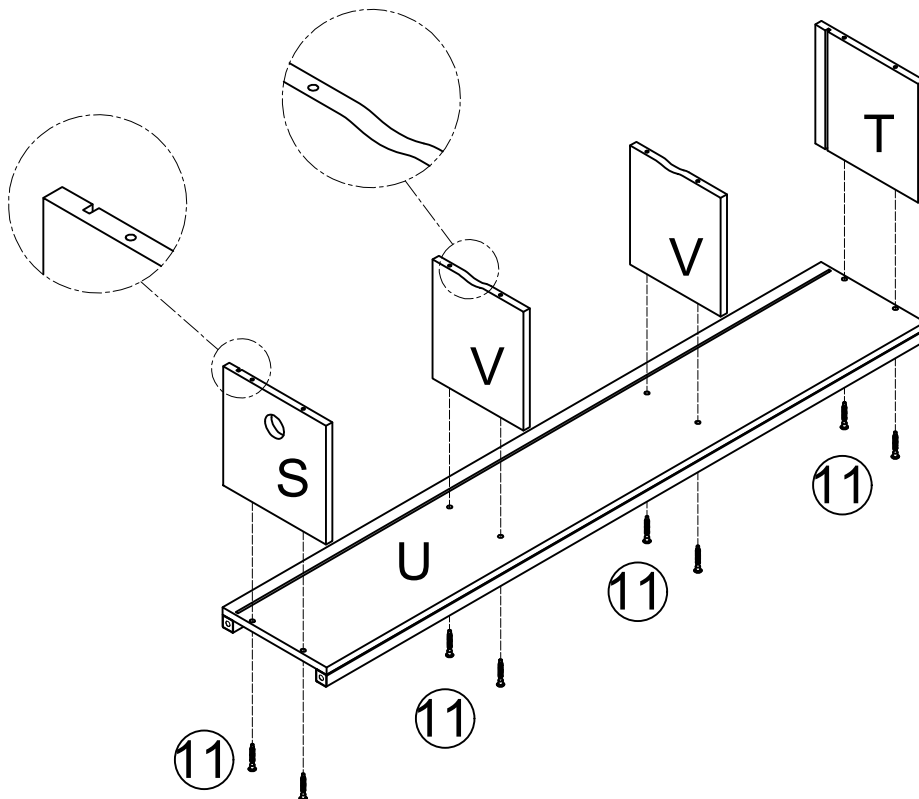
STEP 1

3  x4

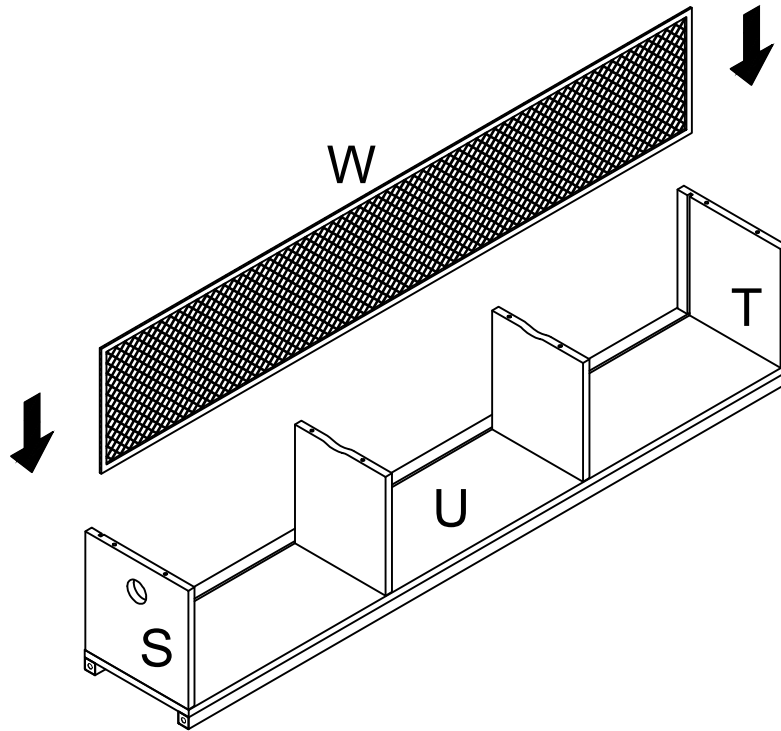


STEP 2

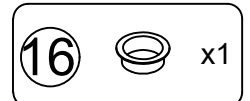
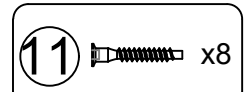
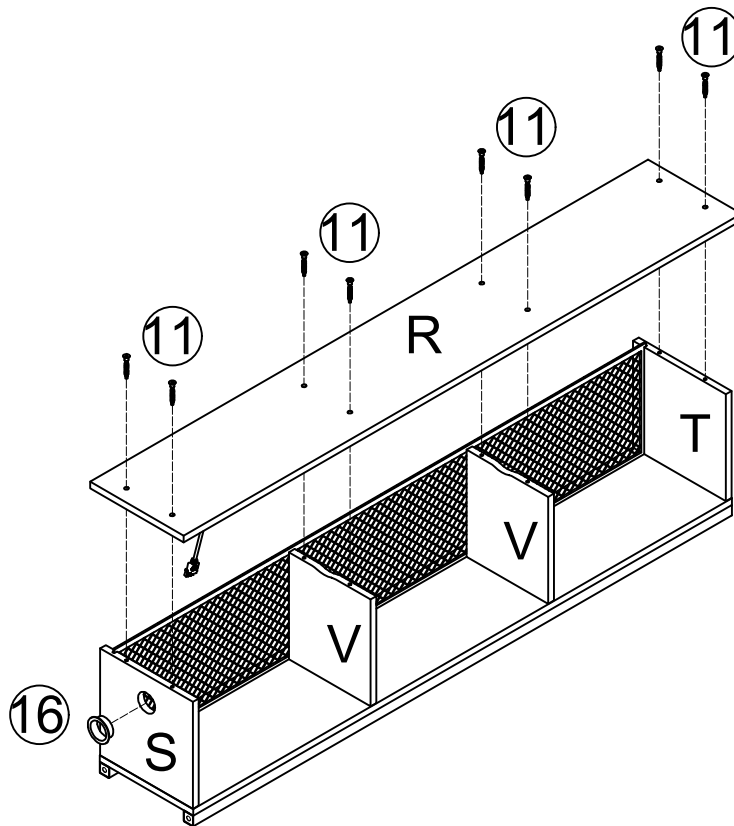
11  x8




STEP 3

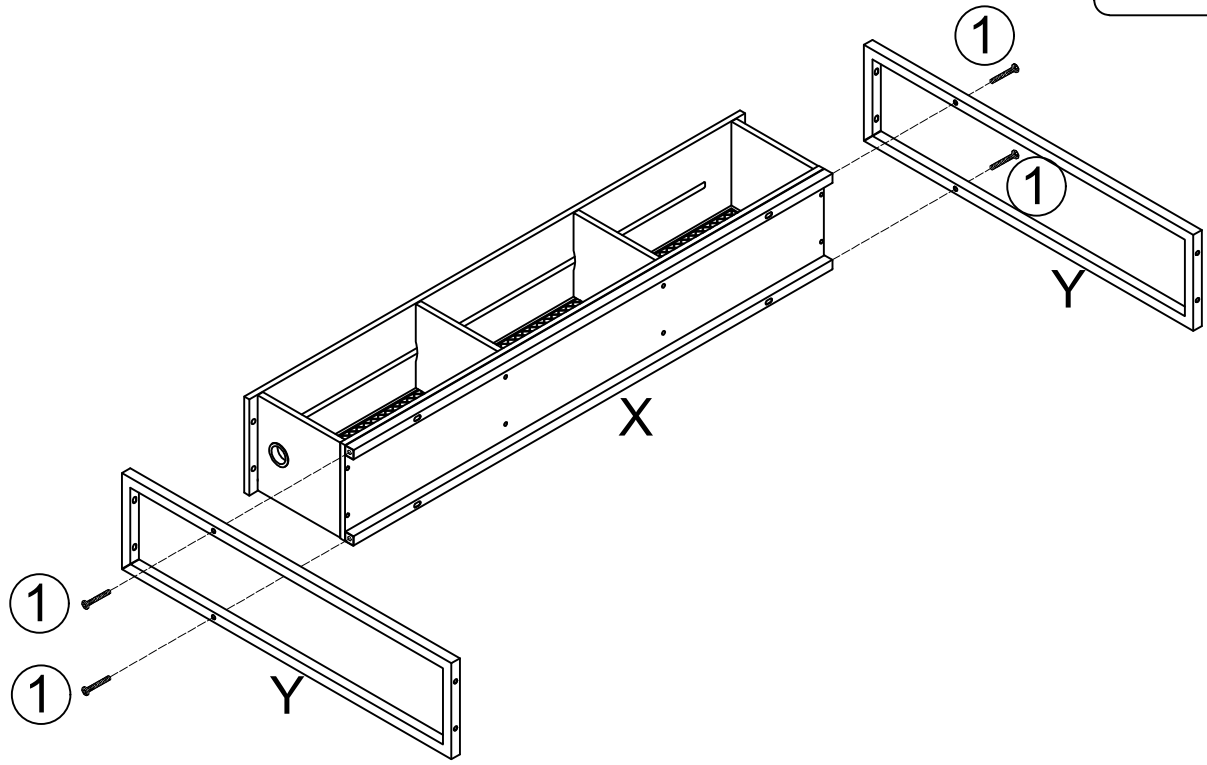


STEP 4




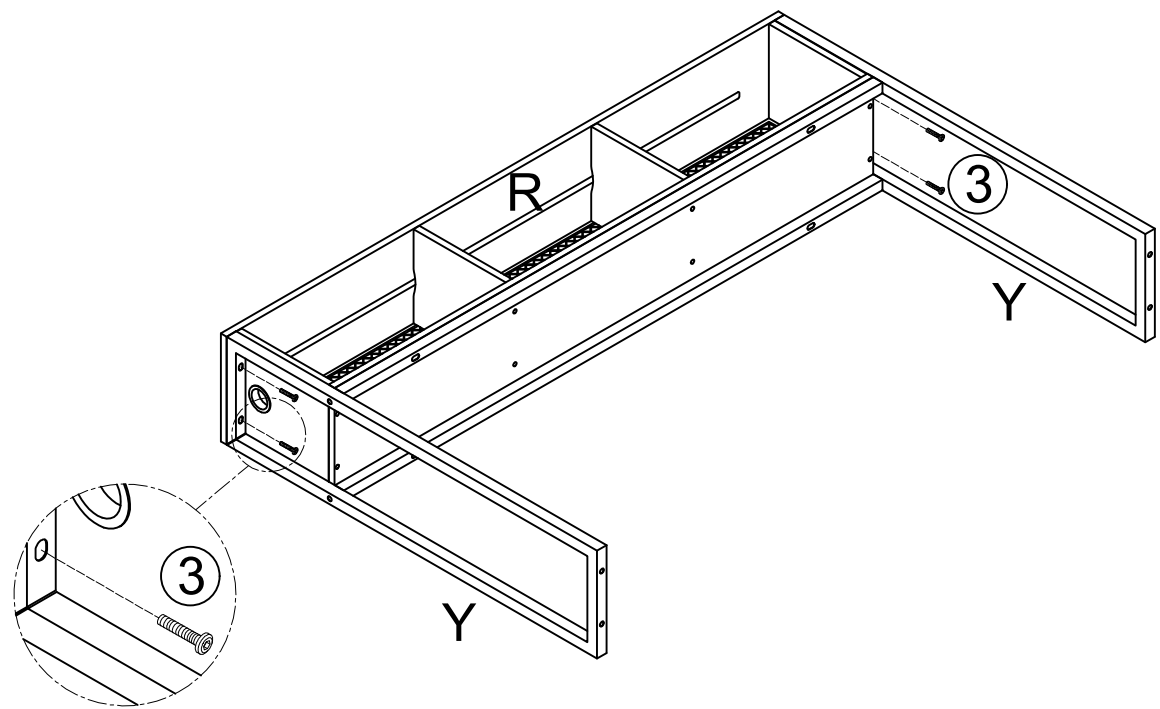
STEP 5

①  x4



STEP 6

③  x4

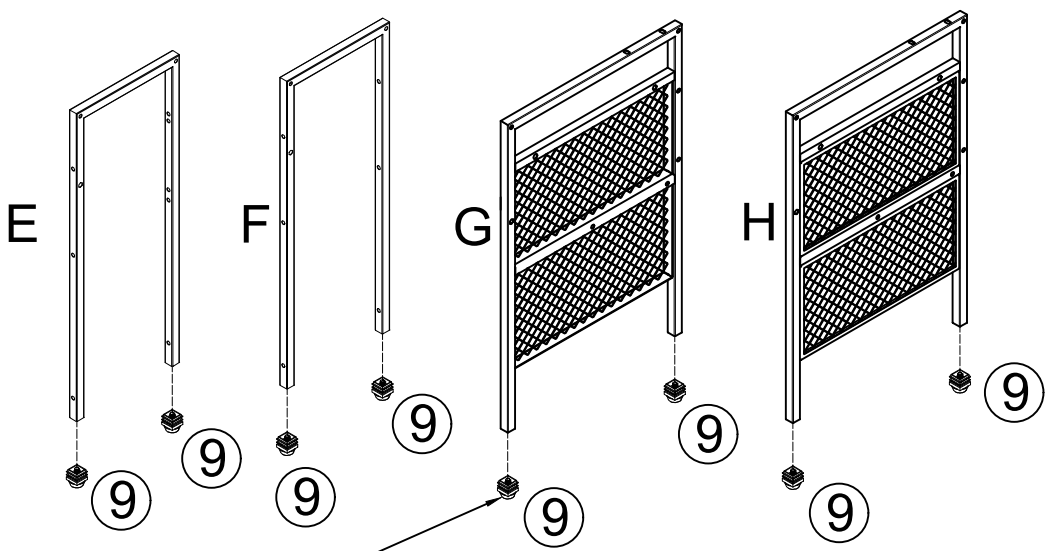




# Option A

## STEP 1

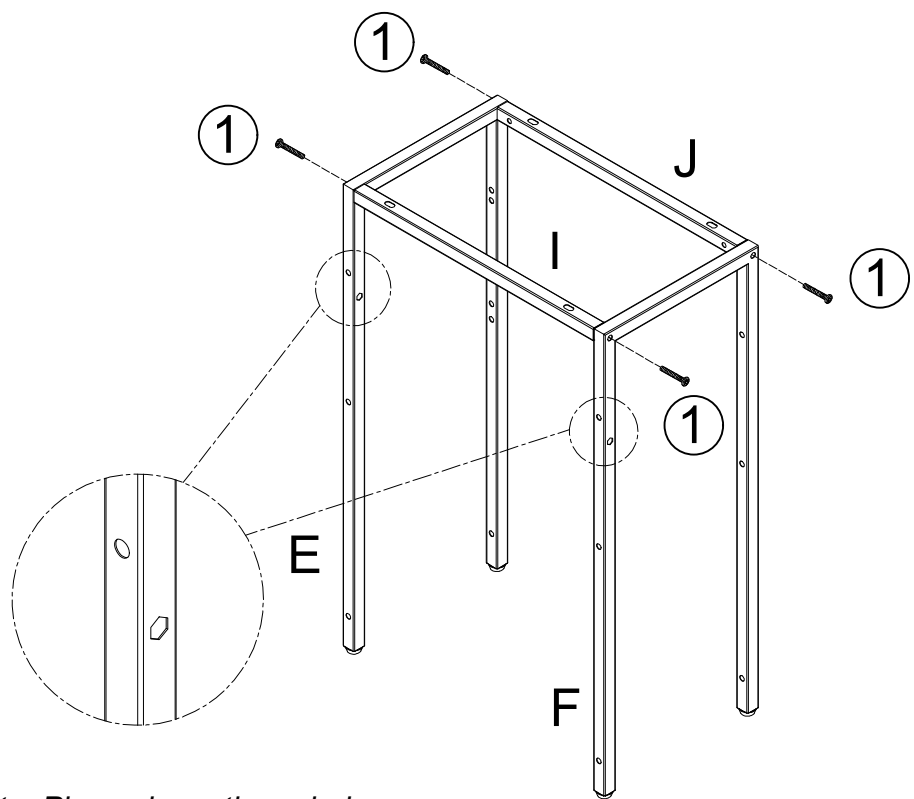
9  x8



Please use a hammer or solid tools (not included) to knock the footpads into the frame.

## STEP 2

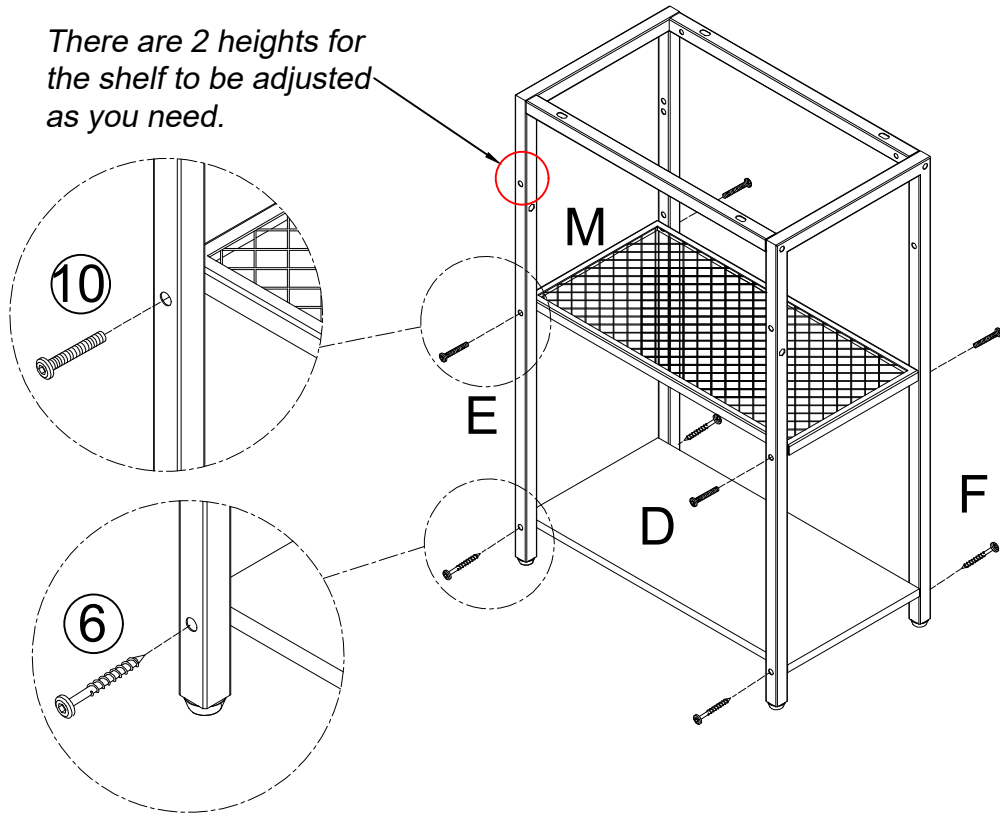
1  x4



Note: Please keep these holes on the same side on Part E and F.

STEP 3

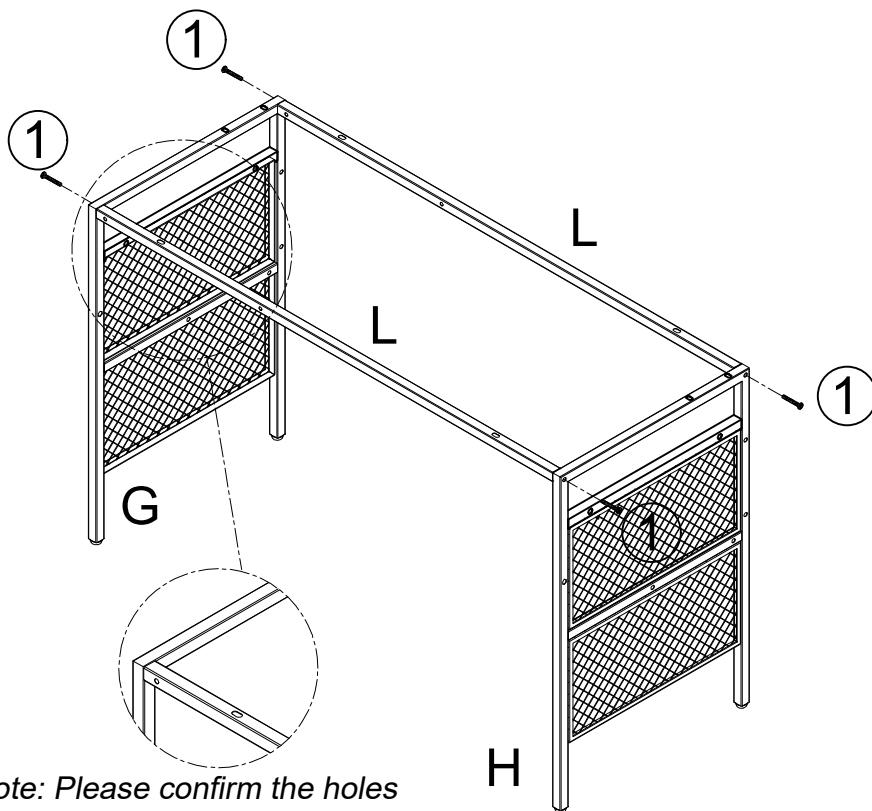
There are 2 heights for the shelf to be adjusted as you need.



10 x4

6 x4

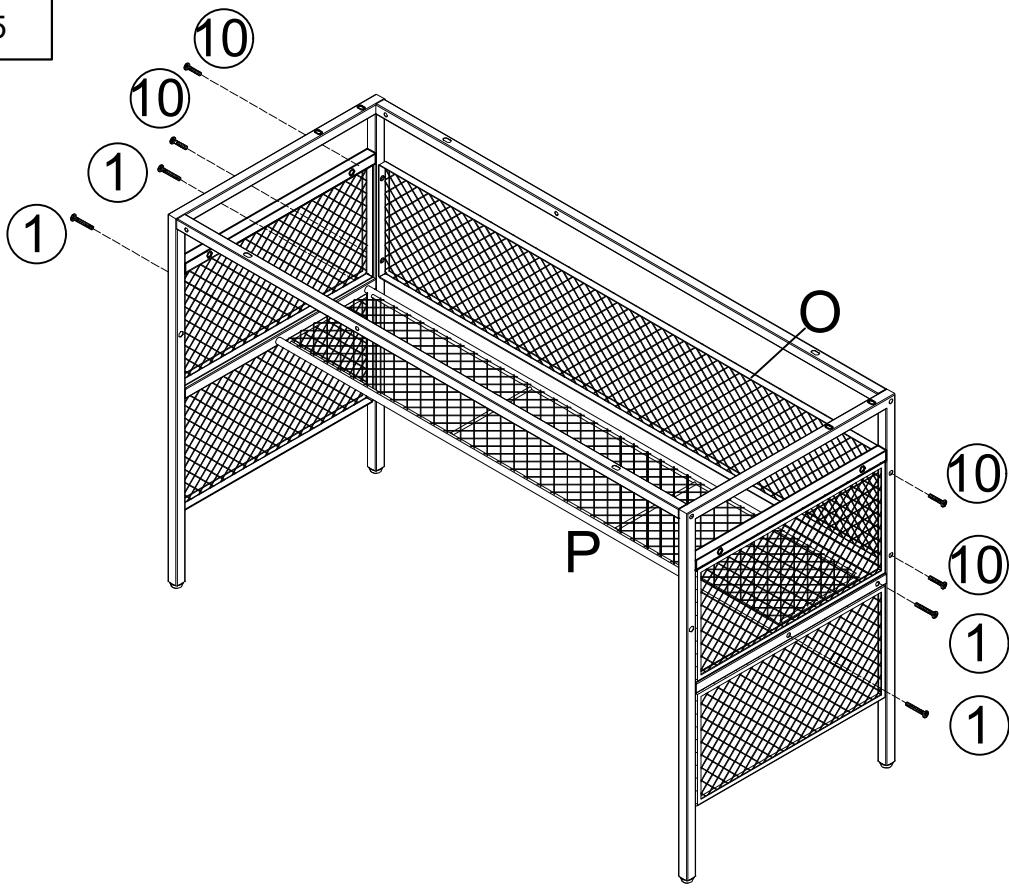
STEP 4





1 x4

Note: Please confirm the holes on Part L is in position.

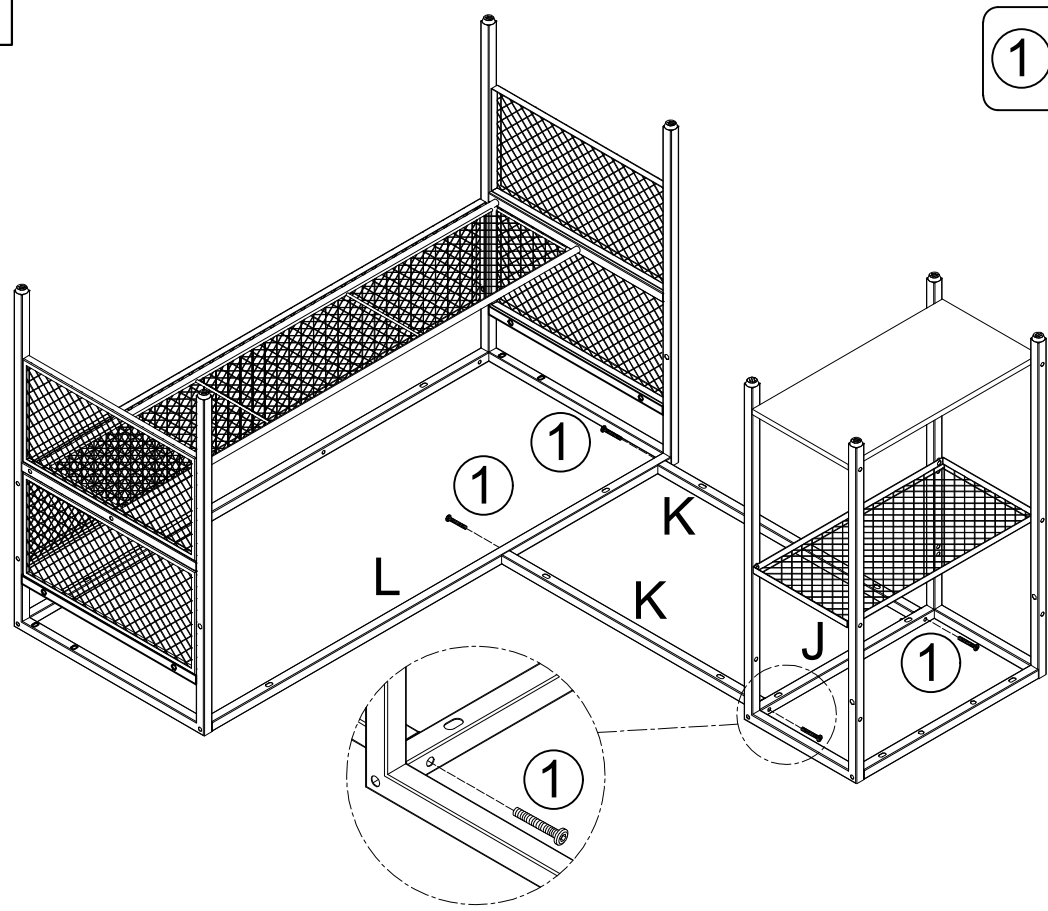
STEP 5




①  x4

⑩  x4

STEP 6



①  x4

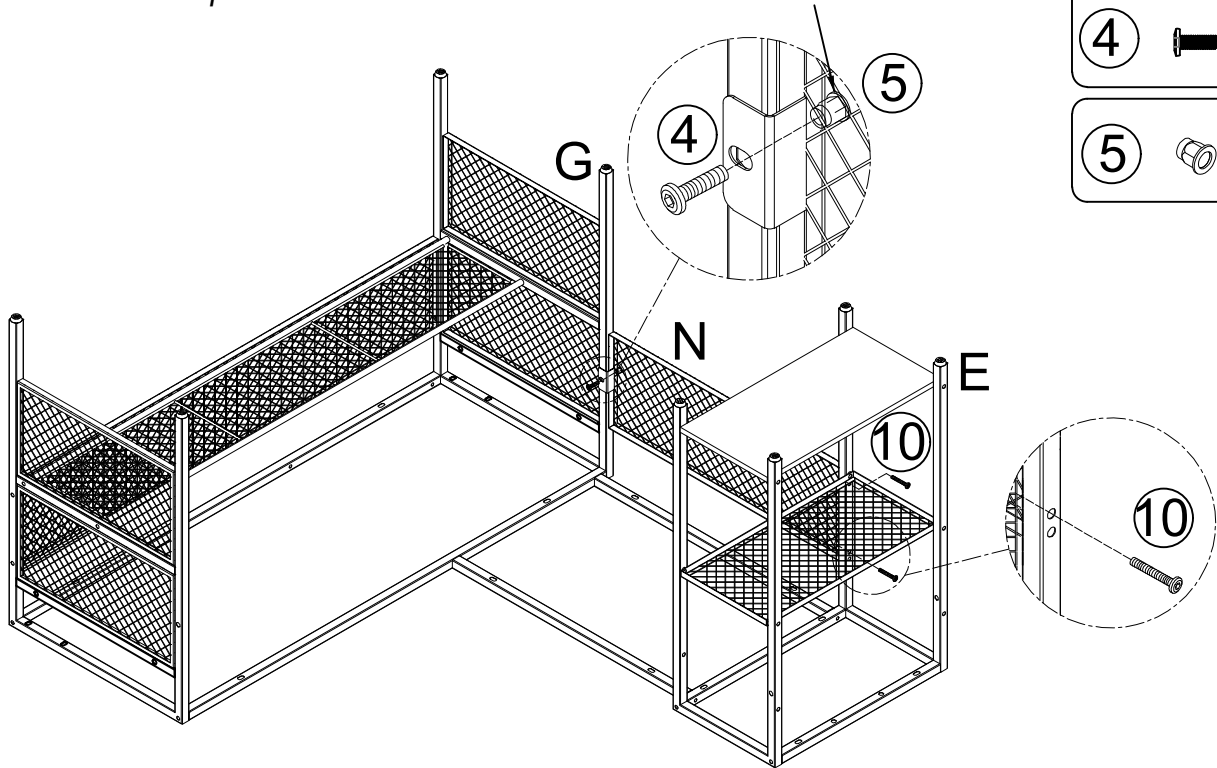
**STEP 7**


*Note: Please insert hex nut into hole from outside and use finger to hold it, put the back wire panel in place and fix the screws from the inner side.*

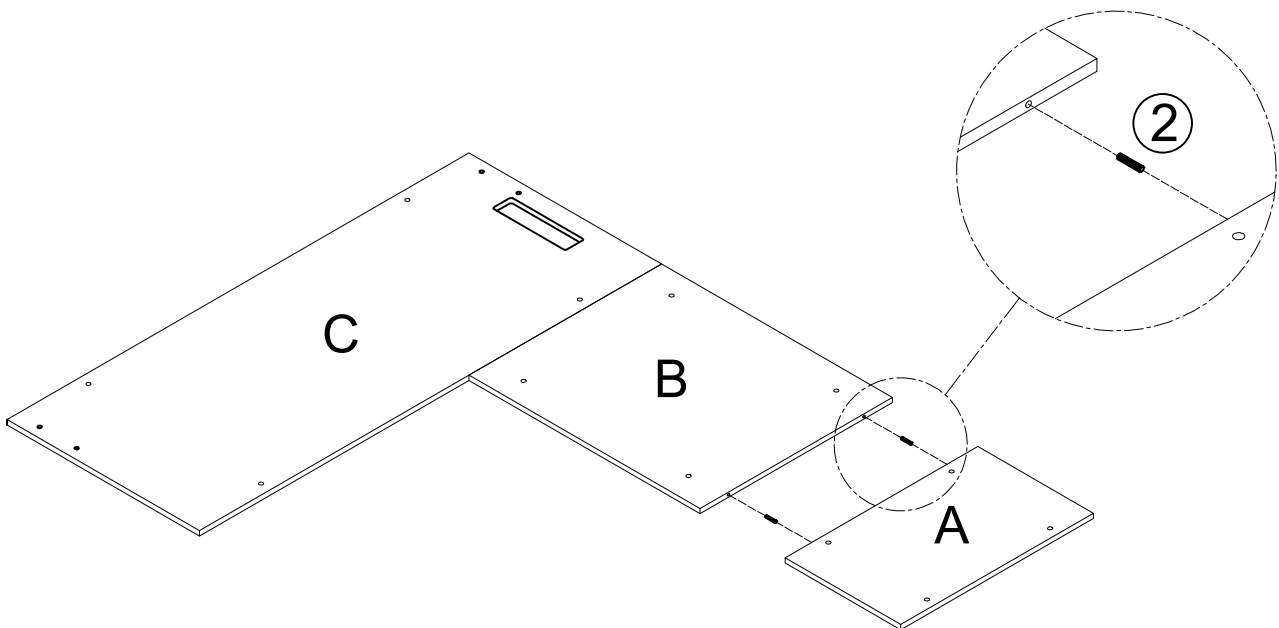
⑩  x2

④  x1

⑤  x1

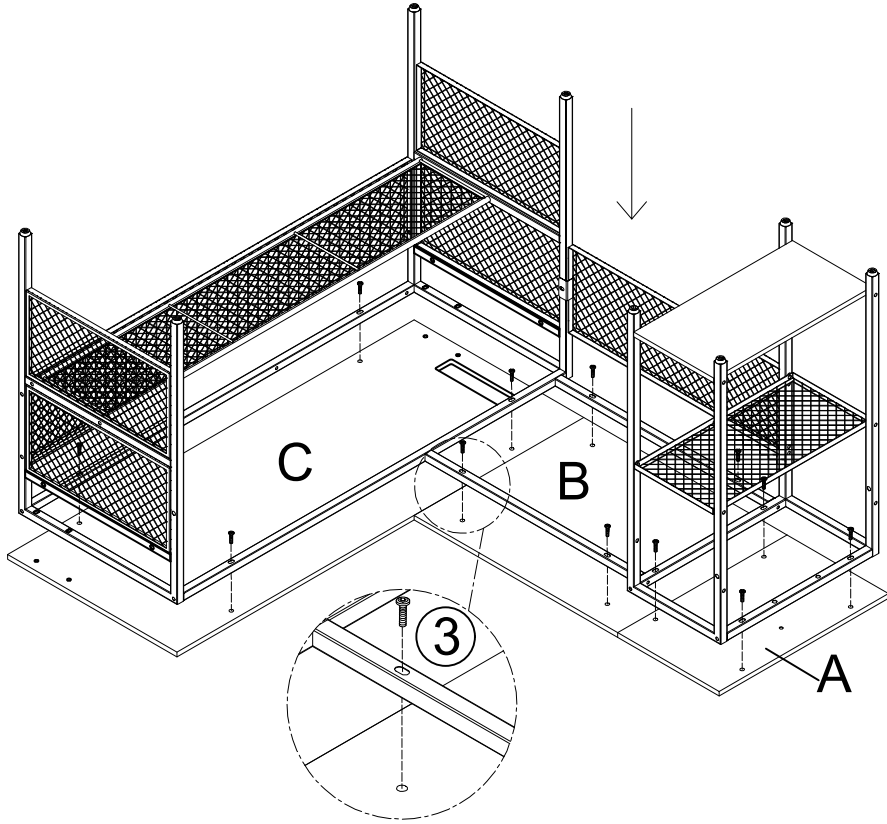
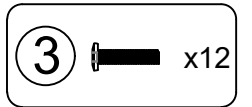
**STEP 8**

②  x2

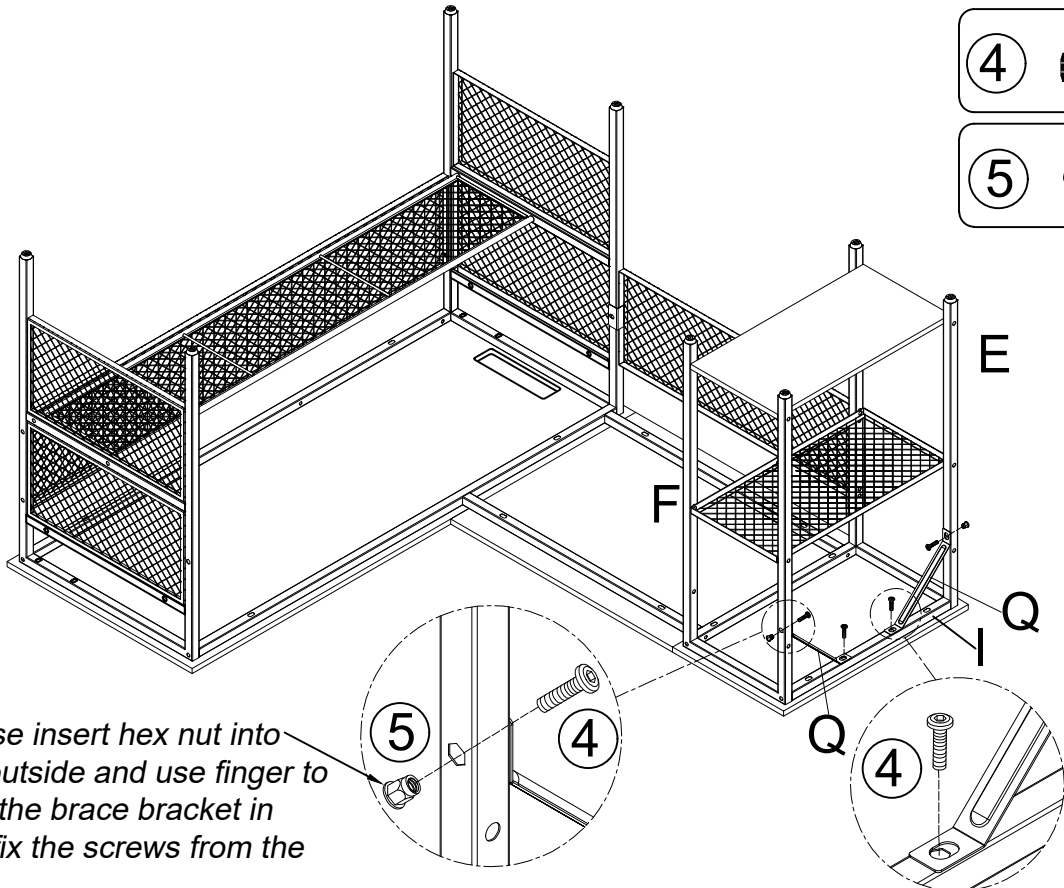
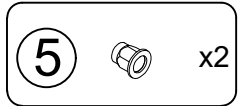
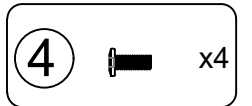


STEP 9

The holes of the support bar have flexible space. Don't fully tighten the screws until aligning all of the top panels.

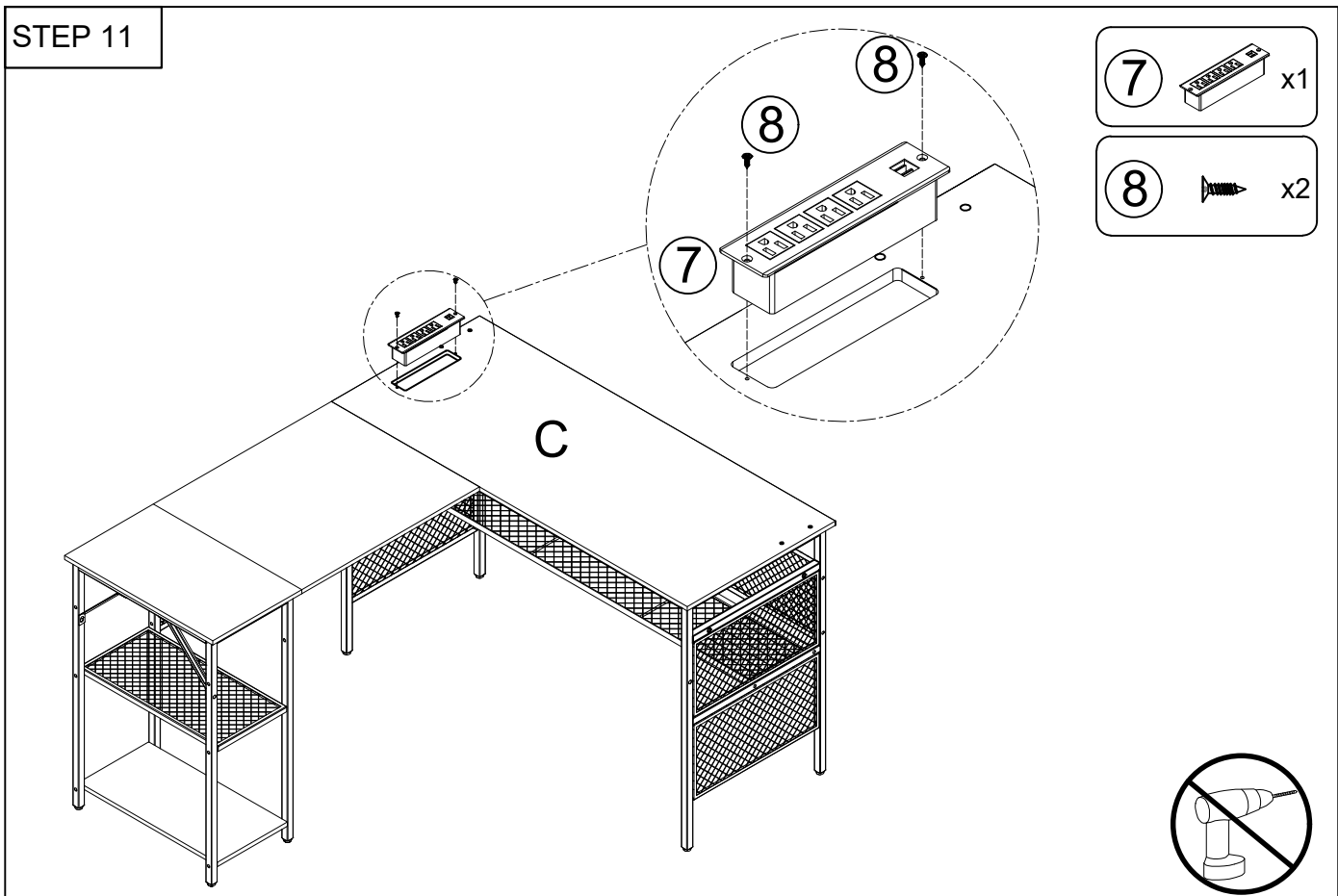


STEP 10

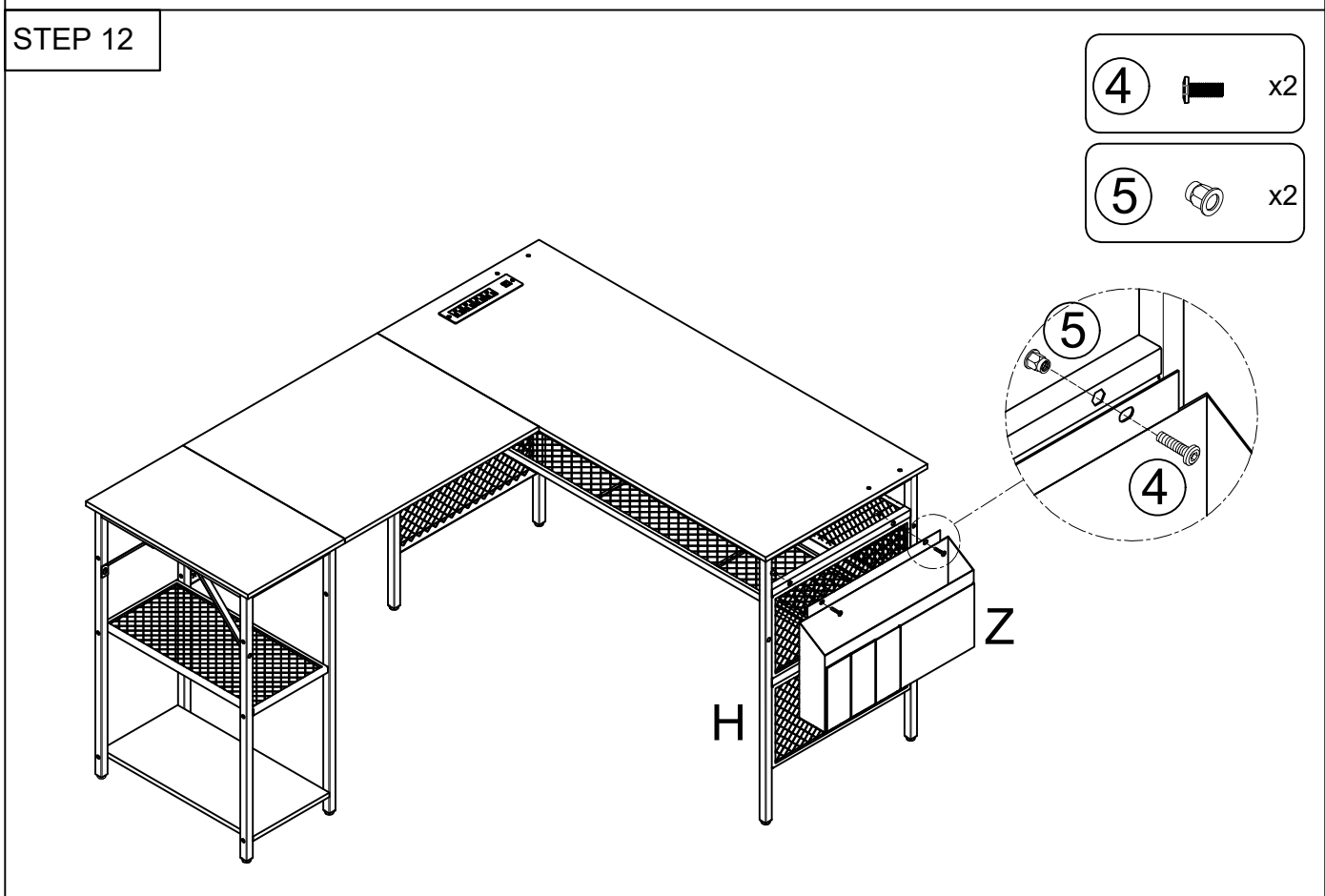


Note: Please insert hex nut into hole from outside and use finger to hold it, put the brace bracket in place and fix the screws from the inner side.

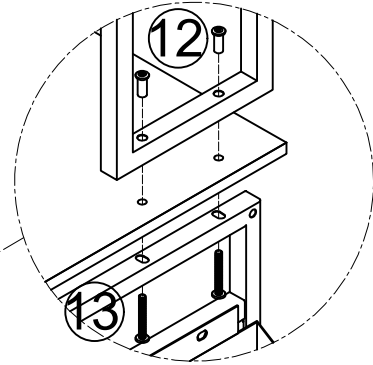
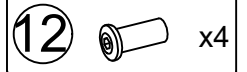
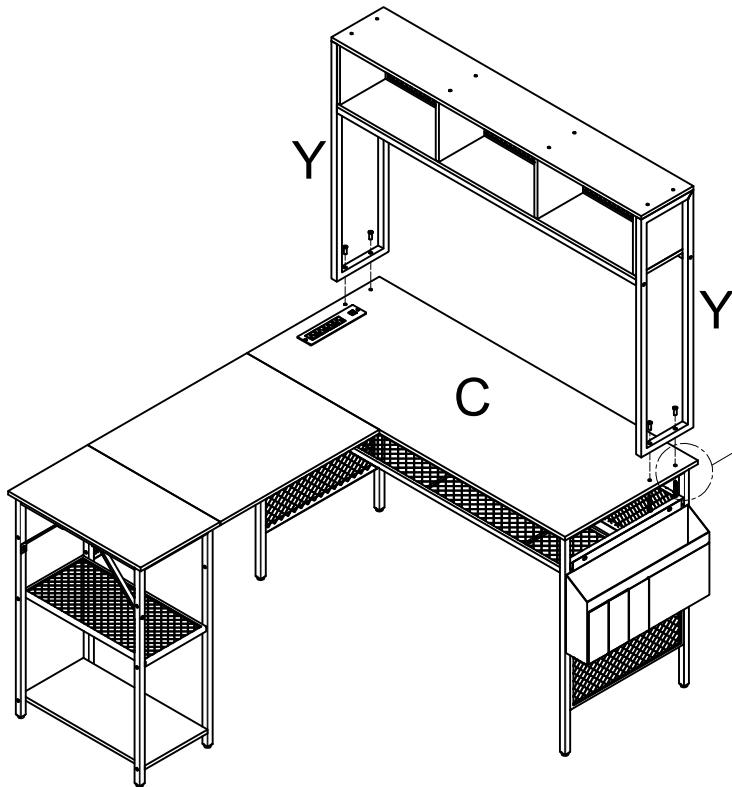
STEP 11



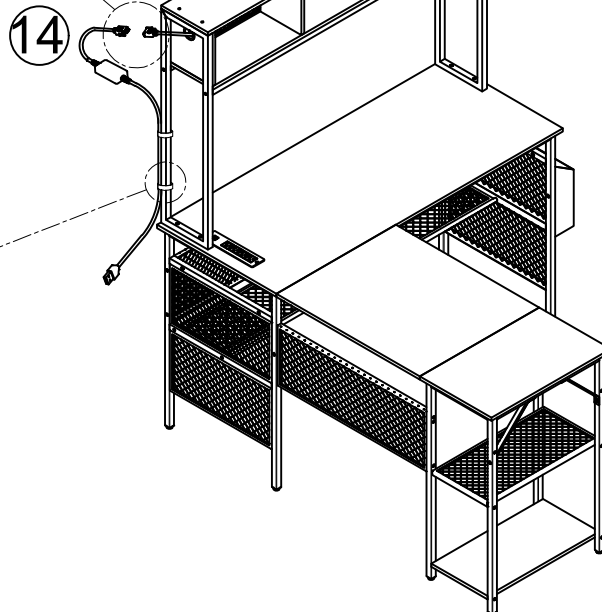
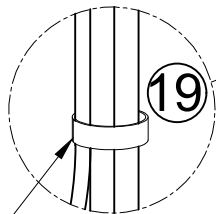
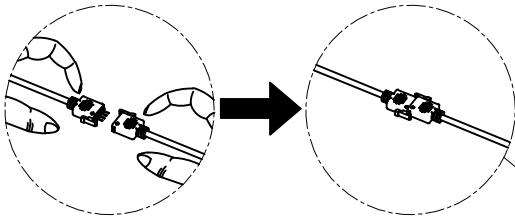
STEP 12



STEP 13



STEP 14

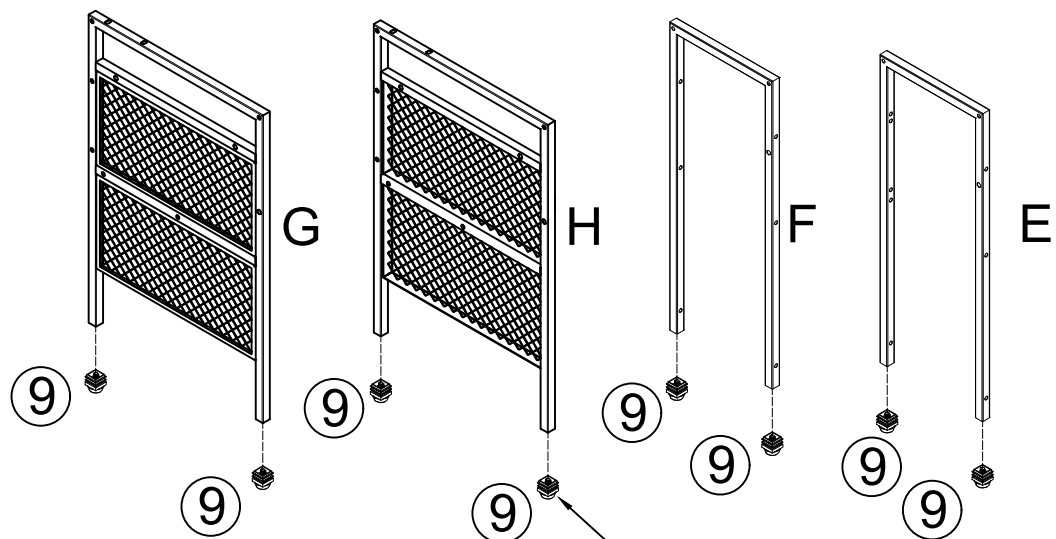


*Velcro tape can wrap the wires, making your desk look neater*

# Option B

STEP 1

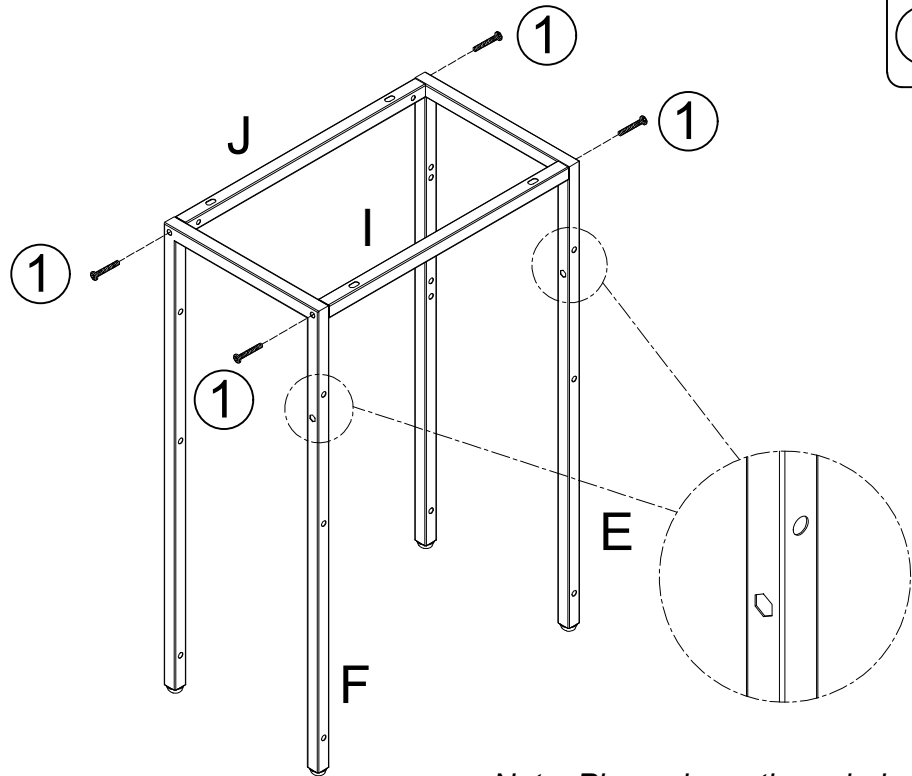
9  x8



Please use a hammer or solid tools (not included) to knock the footpads into the frame.

STEP 2

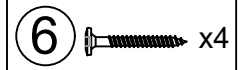
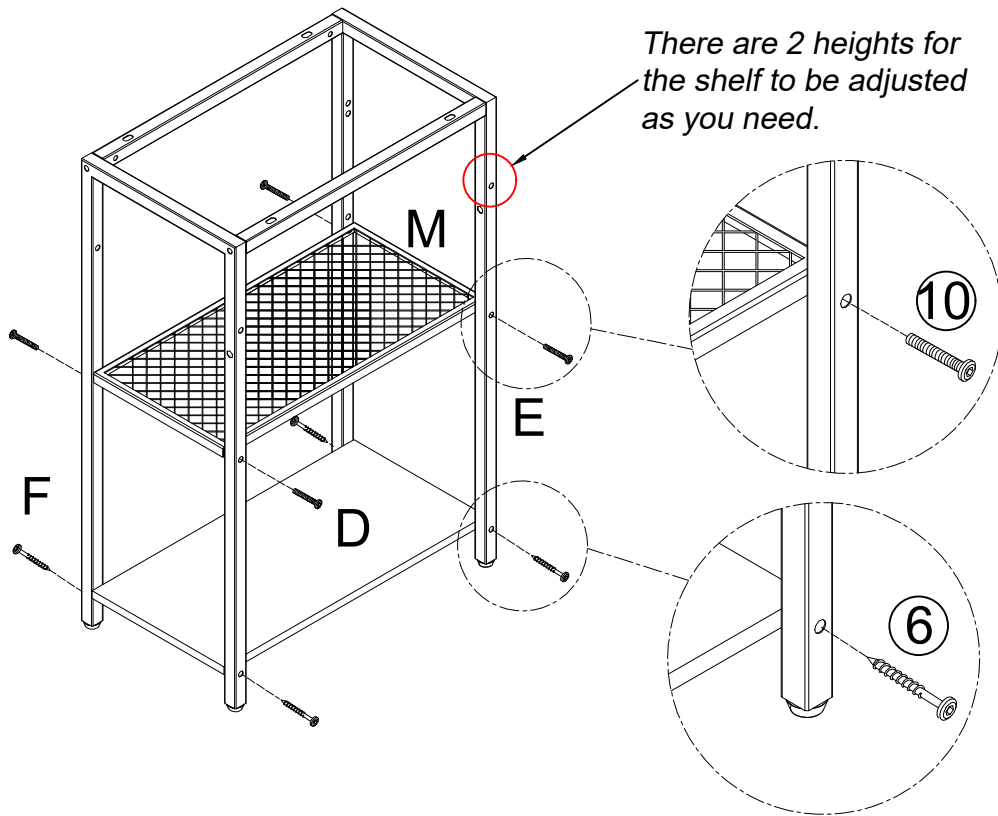
1  x4



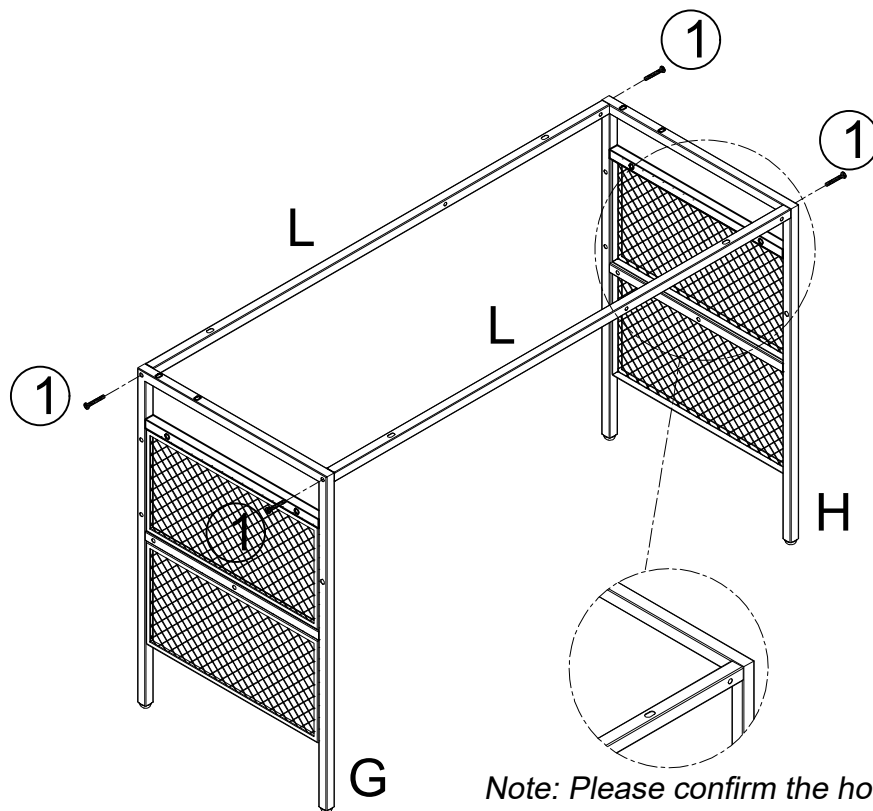
Note: Please keep these holes on the same side on Part E and F.



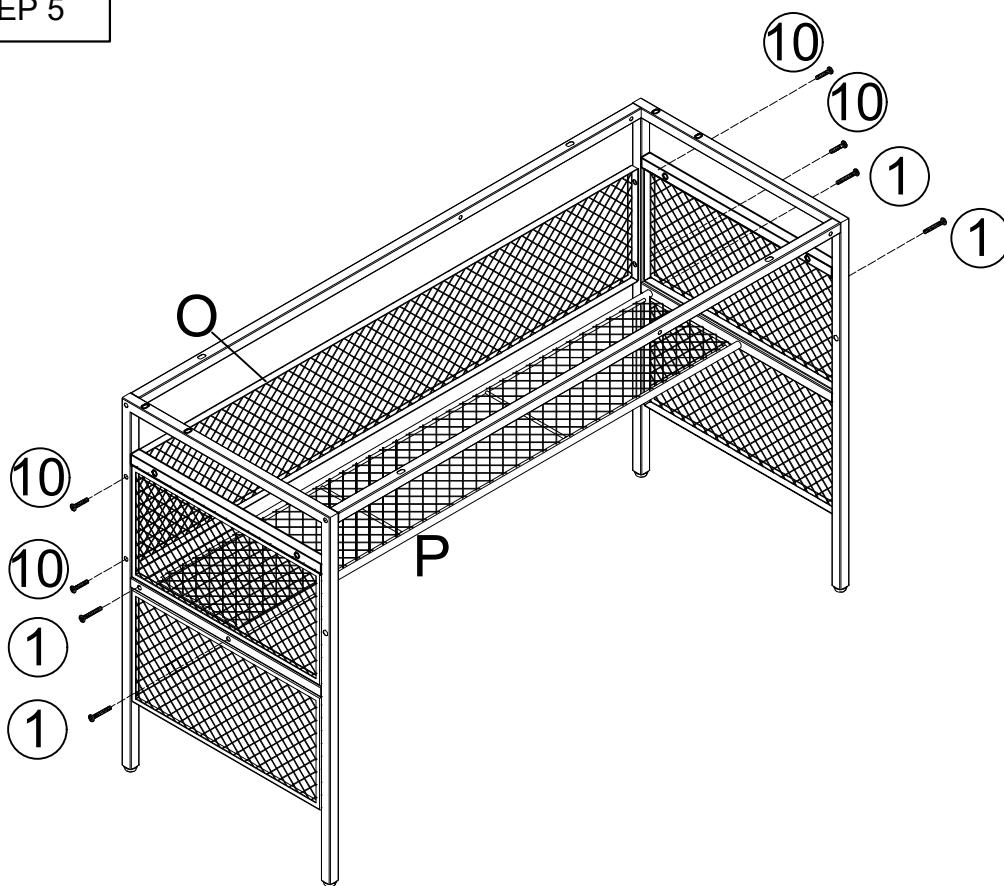
STEP 3



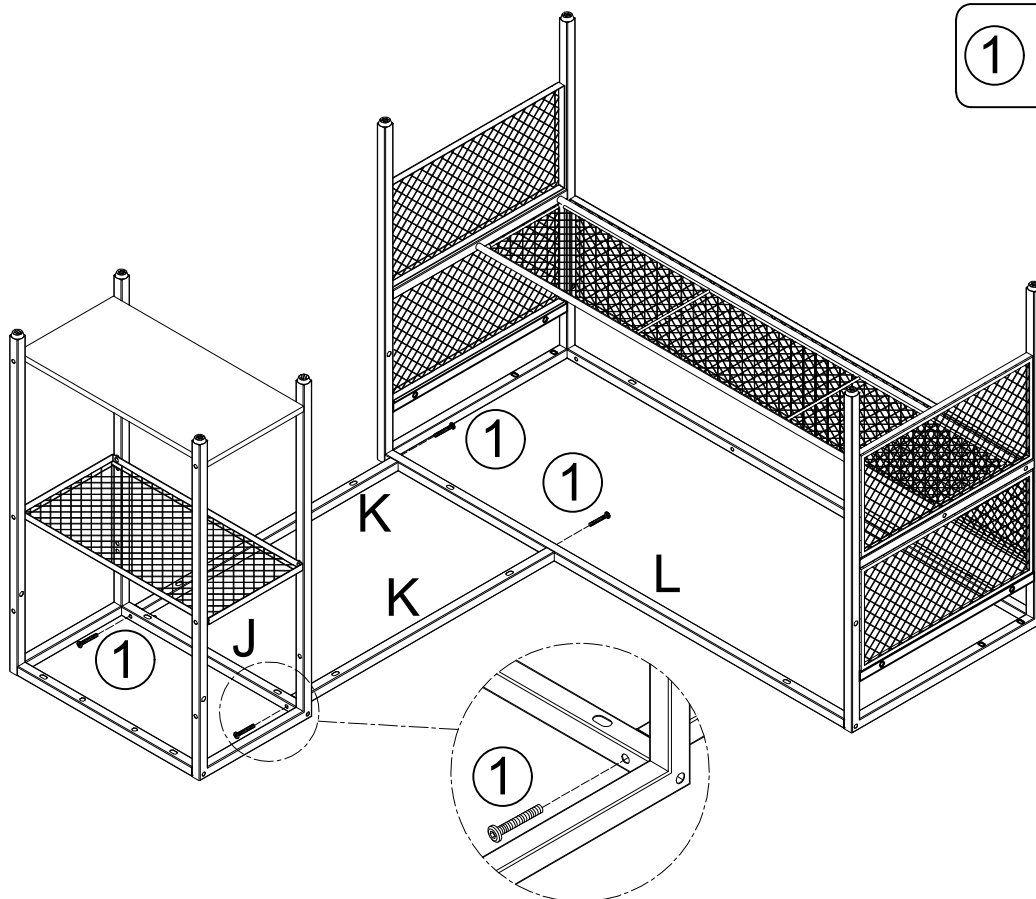
STEP 4



STEP 5



STEP 6



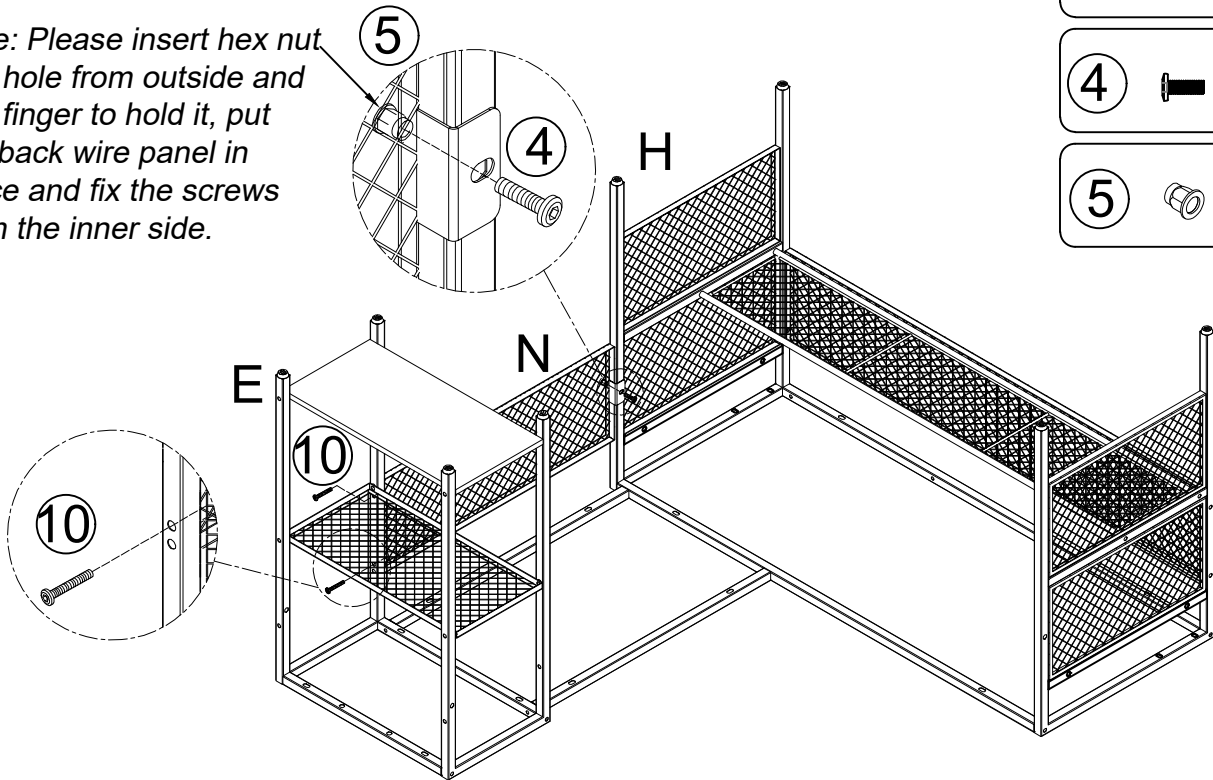
### STEP 7

⑩  x2

④  x1

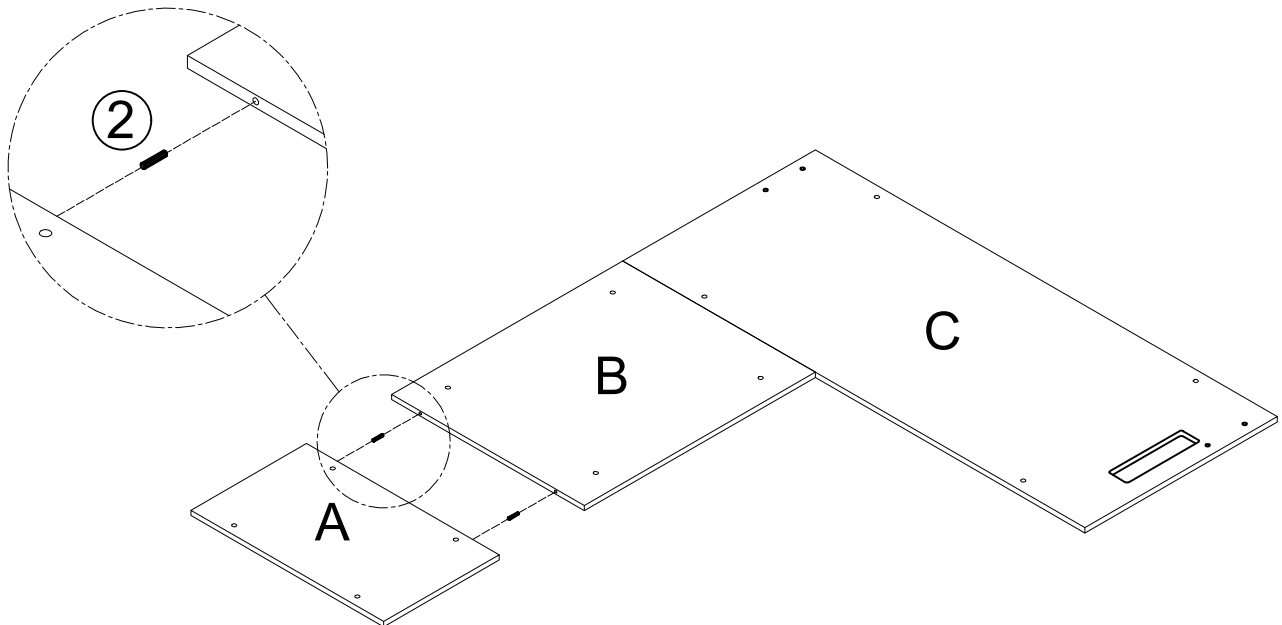
⑤  x1

*Note: Please insert hex nut into hole from outside and use finger to hold it, put the back wire panel in place and fix the screws from the inner side.*



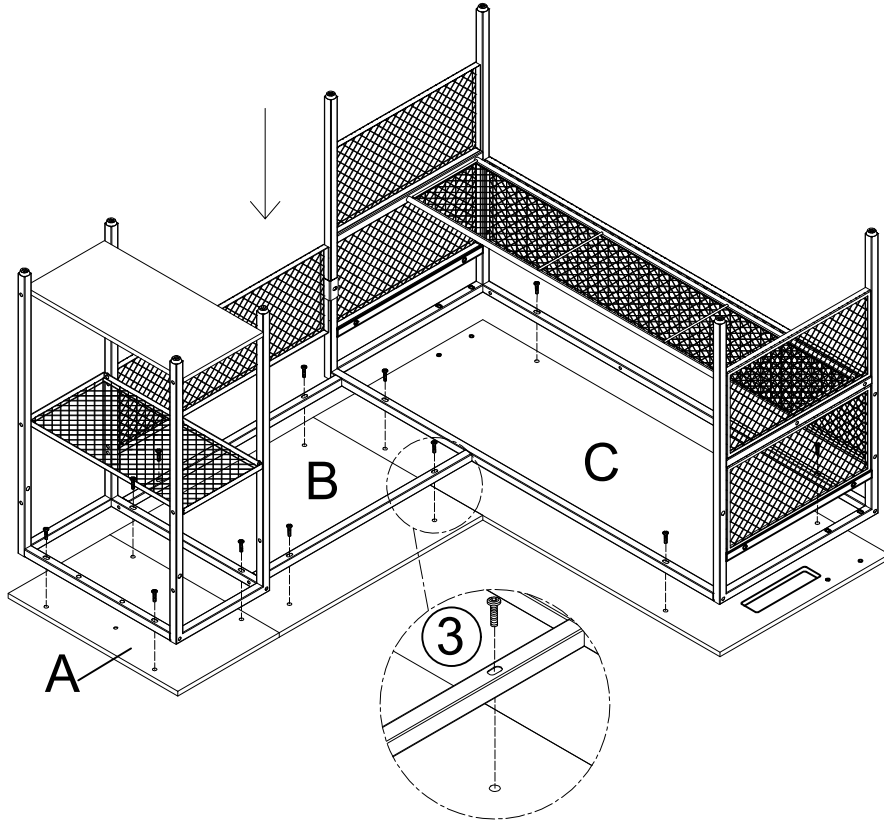
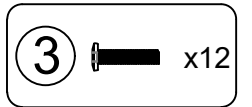
### STEP 8

②  x2

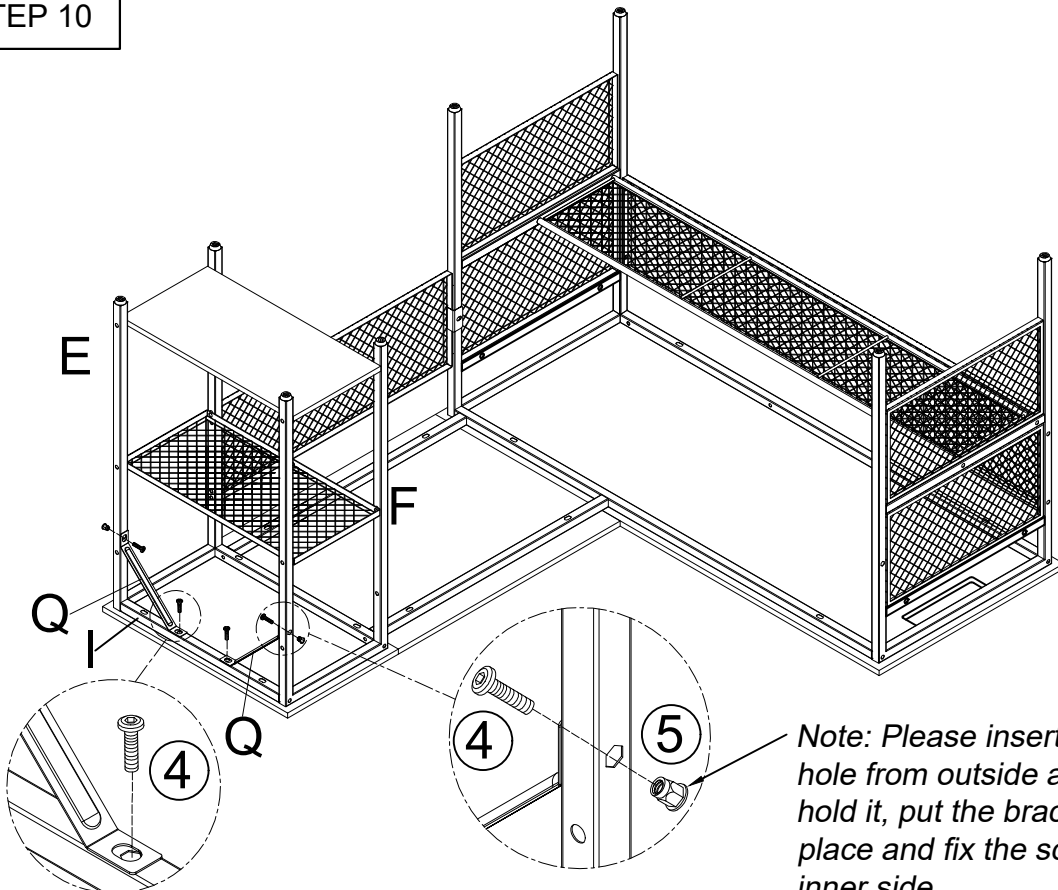
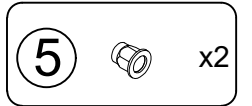
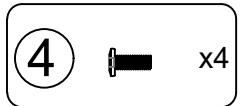


STEP 9

The holes of the support bar have flexible space. Don't fully tighten the screws until aligning all of the top panels.

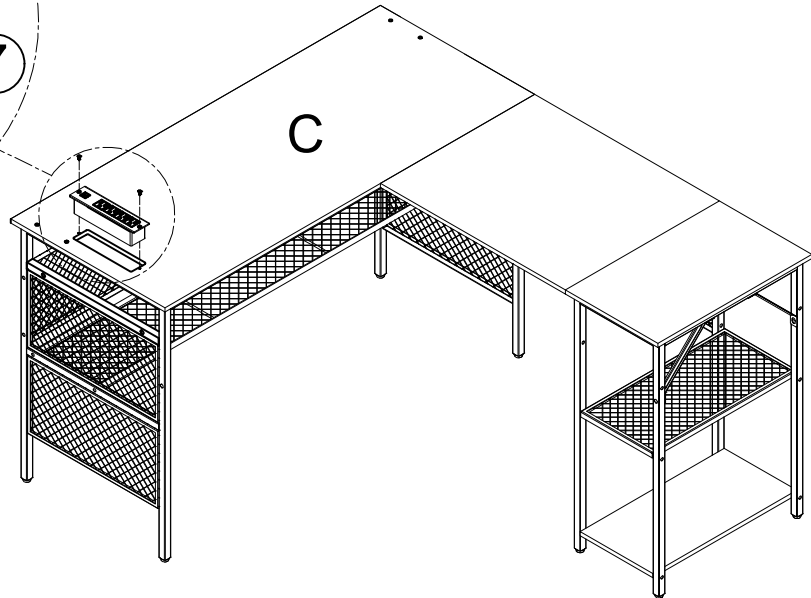
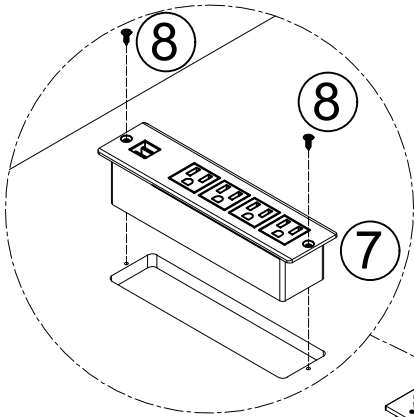
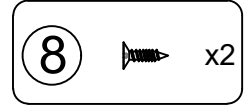
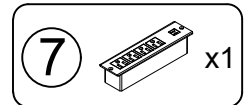


STEP 10

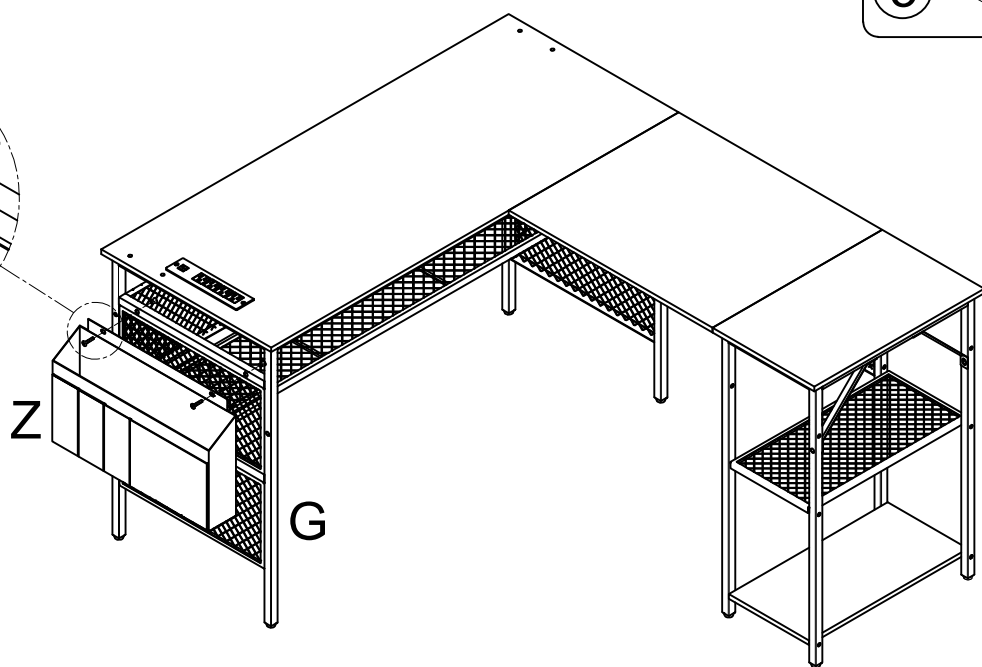
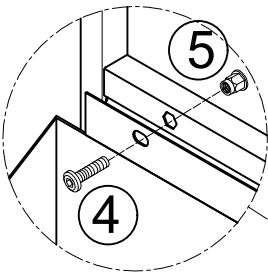
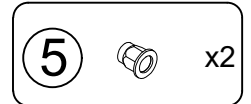
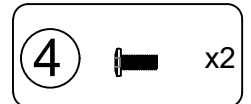


Note: Please insert hex nut into hole from outside and use finger to hold it, put the brace bracket in place and fix the screws from the inner side.

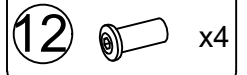
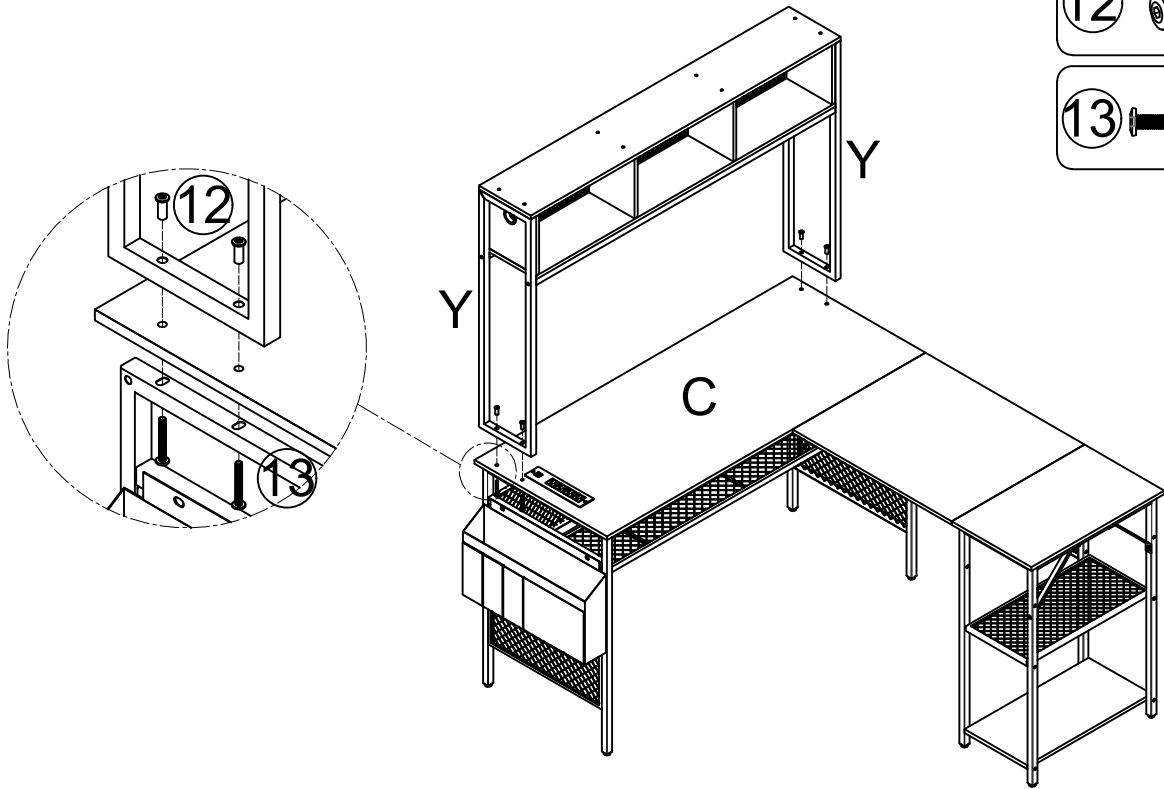
STEP 11



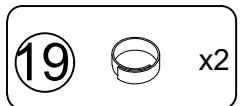
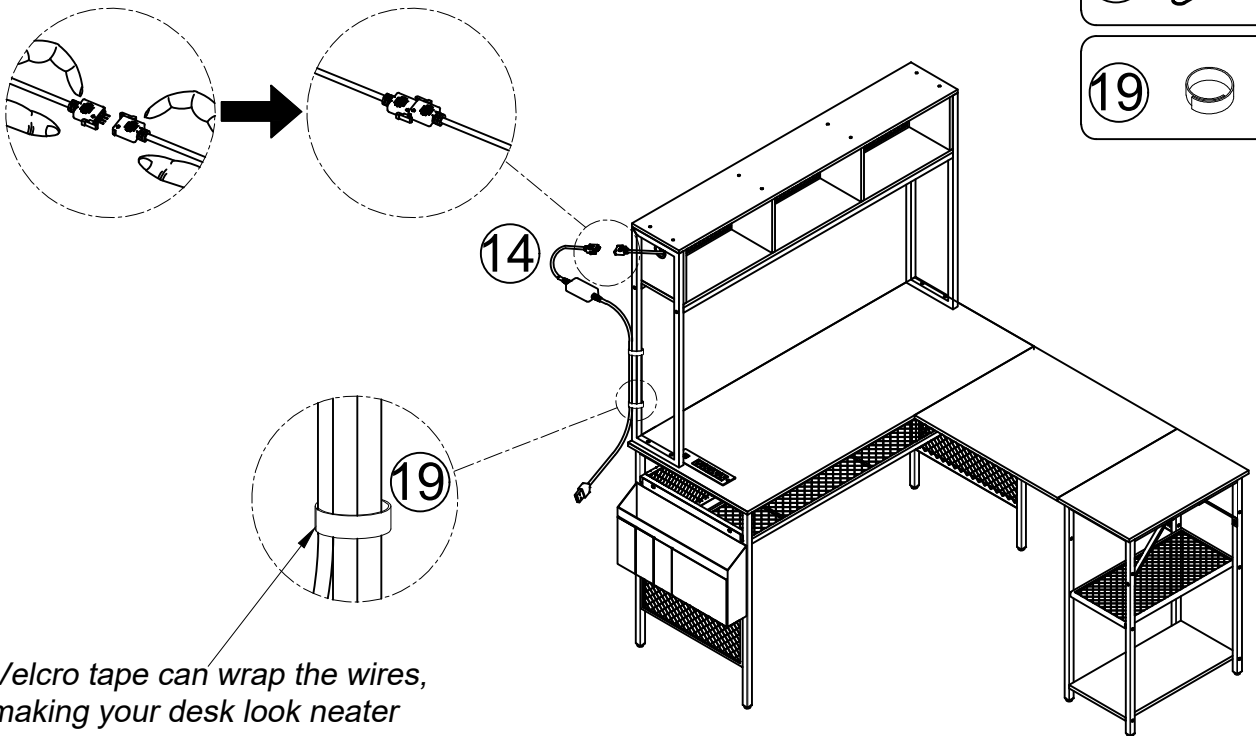
STEP 12



STEP 13



STEP 14



Velcro tape can wrap the wires, making your desk look neater