










Assembly Instructions

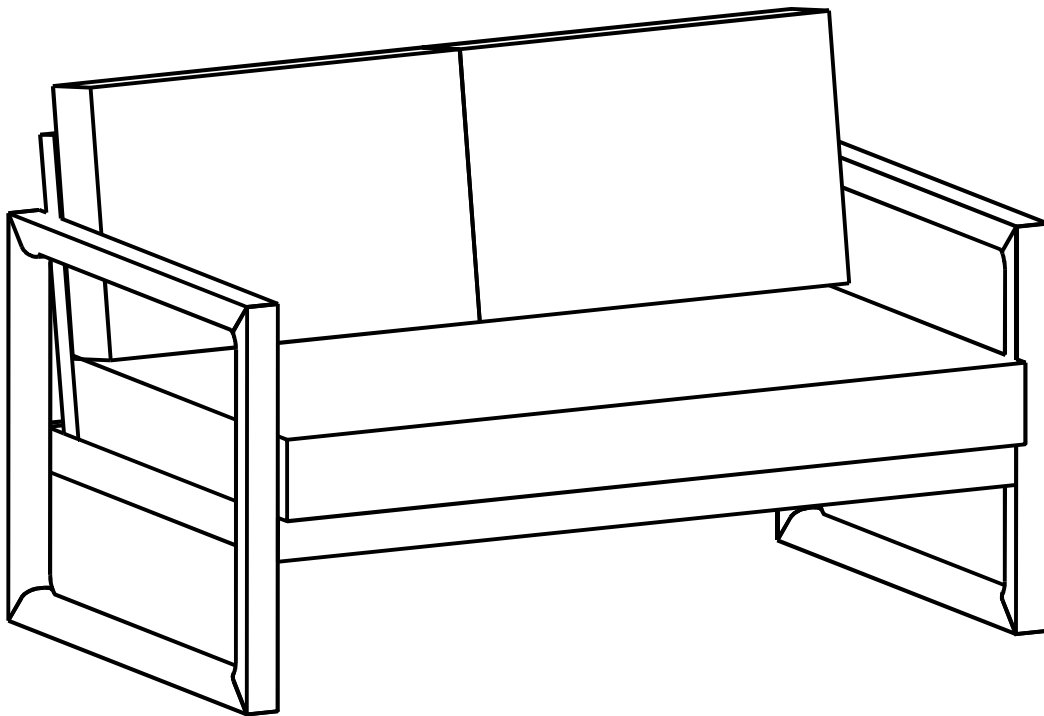
Caution: You must read this before you proceed

Care & Maintenance

- ⊘  • Not for commercial use. For residential use only.
 - ⊘  • Do not put hot items directly on furniture surface.
 - ⊘  • Do not clean furniture with harsh cleansers or polish.
 - ✓  • To obtain the longest lifespan of your outdoor products, minimizing exposure to direct sunlight is recommended.
 - ⊘  • Children should not climb or jump on the furniture.
 - ⊘  • Do not write on furniture without a padded barrier to protect the surface.
 - ✓  • To obtain the longest lifespan of your outdoor products, avoid extended and lengthy exposure to rain, snow, and direct sunshine. Whenever possible cover the product and /or place under patio or awnings.
 - ⊘  • Stains may be removed with mild soap solution and damp cloth.
-
- ✓  • Dust and pick-up spills using a clean, non-colored, lint-free cloth.

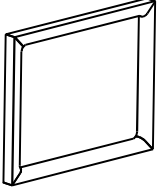
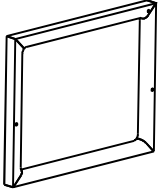
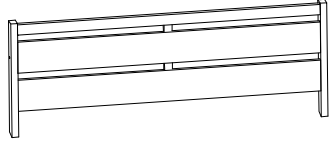
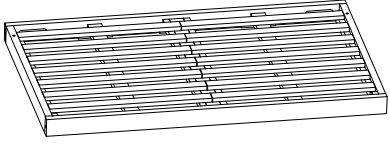
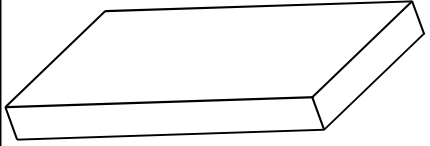
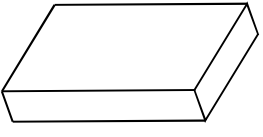
Please look in the Seat Panel for hardware packs

LOVESEAT

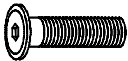


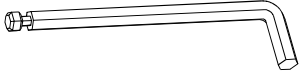
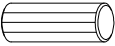


Caution: This Loveseat is NOT a TOY.
Keep your child / children at bay during the assembly process.
Whenever moving or lifting the Loveseat and to prevent any possible damage to it, two adults are needed to execute this action.

Parts List

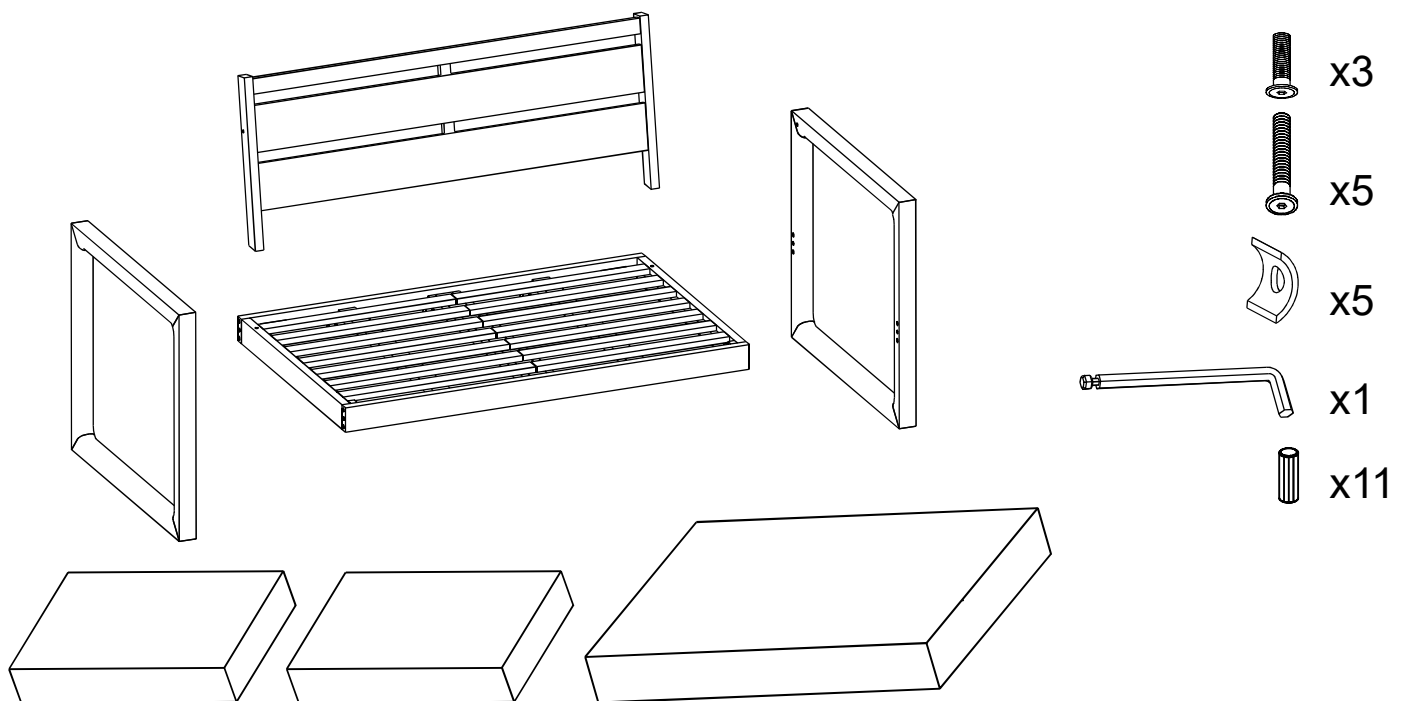
Label	Picture	Description	QTY
A		Right Leg Panel	1
B		Left Leg Panel	1
C		Backrest Panel	1
D		Seat Panel	1
E		Seat Cushion	1
F		Back Cushion	2

Hardware

Label	Picture	Description	QTY
①		Bolt (M6x40 mm)	3
②		Bolt (M8x65 mm)	5
③		Curve Washer (17x20x2mm)	5
④		Allen Wrench (25x110mm)	1
⑤		Wooden (Ø10x30mm)	11

Assembly Preparation

Before Beginning Assembly:



- Read instructions, cover to cover-



- Have 2 adults on hand for assembly-



- Do not assemble on flooring or carpet-



- Assemble on a clean non-marring surface (packing foam)-

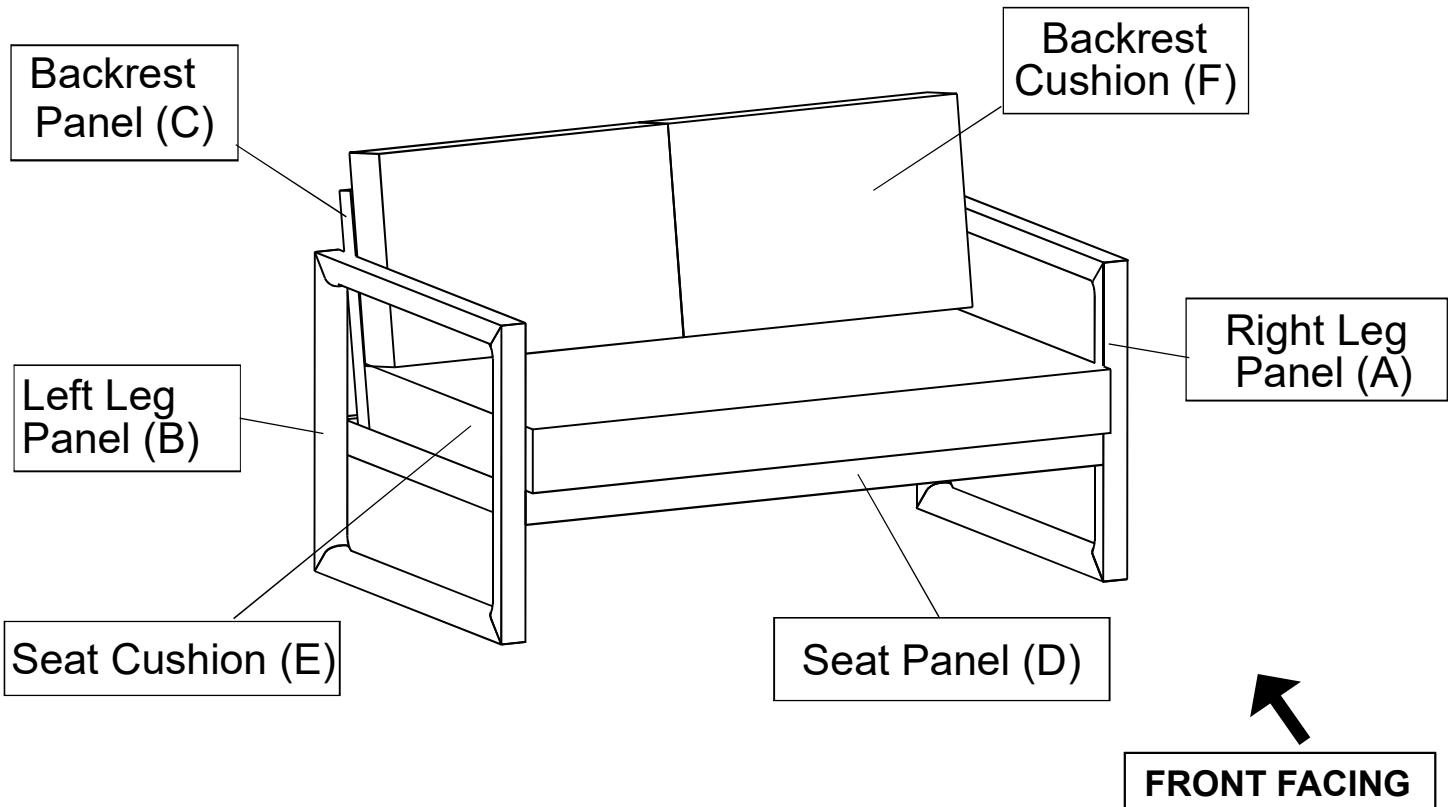


- Save all packaging until finished-

Assembly Preparation

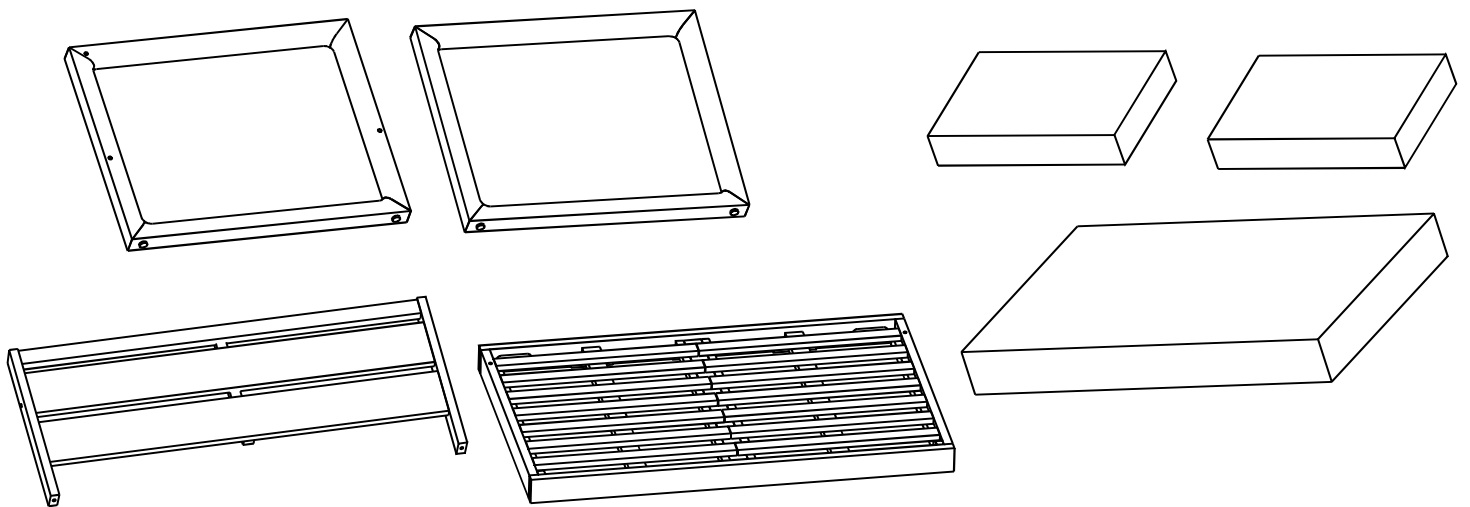
Before Beginning Assembly:

OVERVIEW



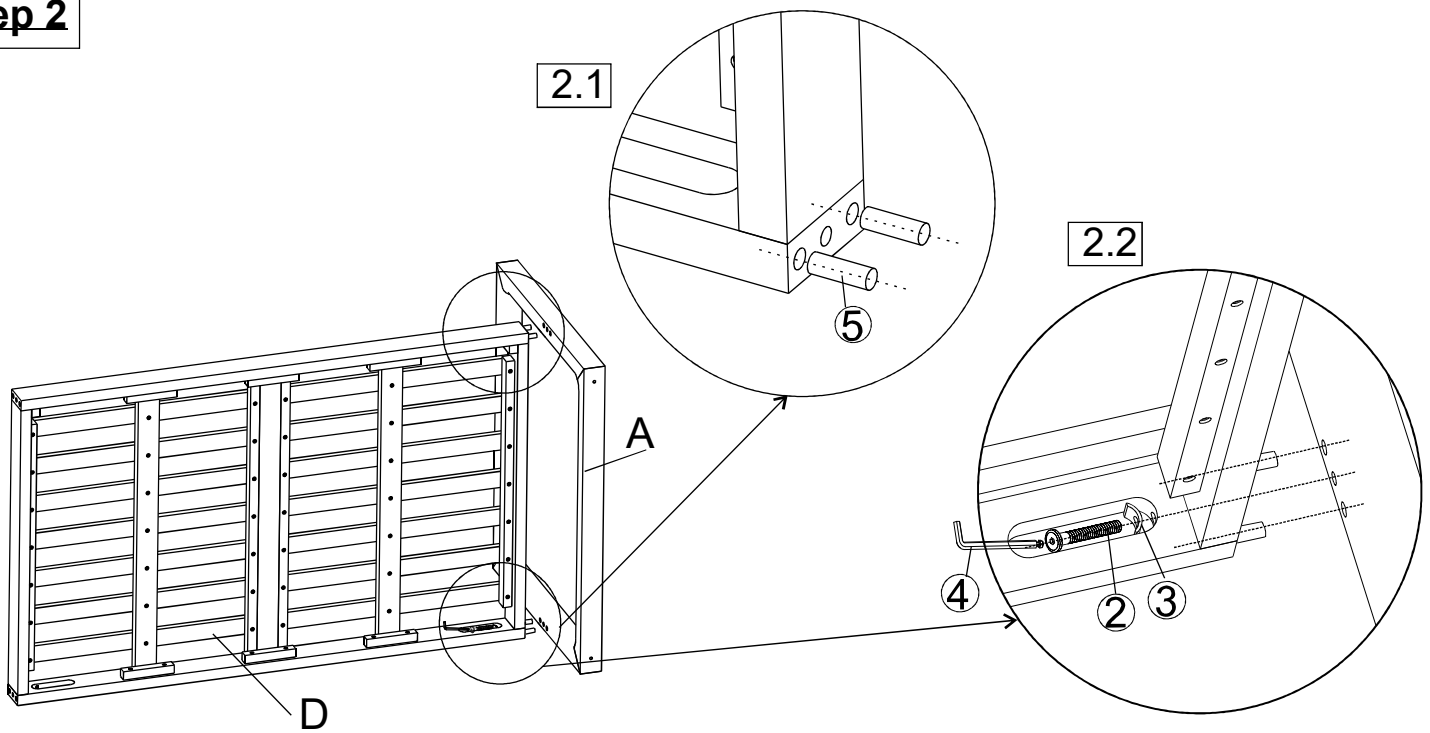
This Loveseat has multiple parts and may require up to 30 minutes to assemble. To give you an overview of the Loveseat parts, the above picture is to help you put the various parts into perspective. Please read through the instructions below to familiarise yourself with the parts and steps before assembly.

Step 1



Unpack and place all parts on a clean, non-marring surface.

Step 2

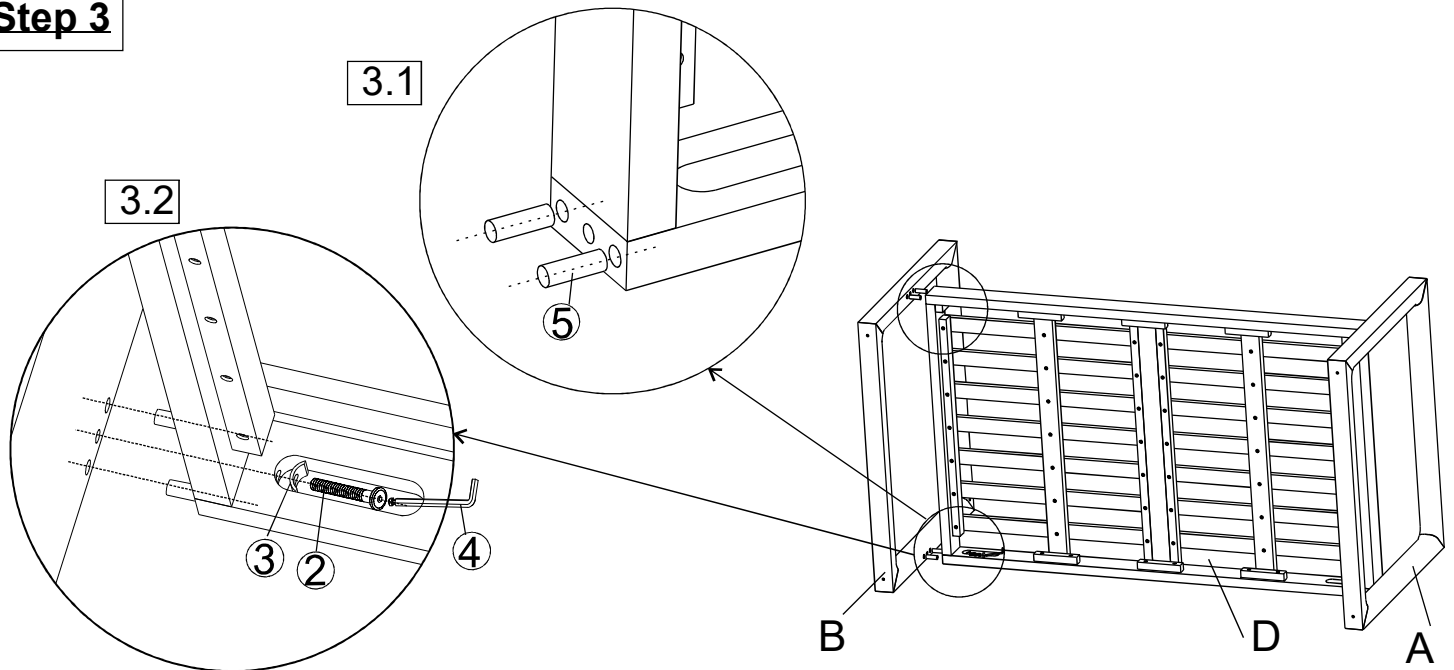


2.1. Position Wooden Dowel (5) to Seat Panel (D).

2.2. Attach the Wooden Dowel (5) of Seat Panel (D) to the mortise of Right Leg Panel (A), then secure the Seat Panel (D) to the Right Leg Panel (A) using Bolt (2), Curve Washer (3) and Allen Wrench (4) as shown above.

Do not fully tighten Bolts.

Step 3



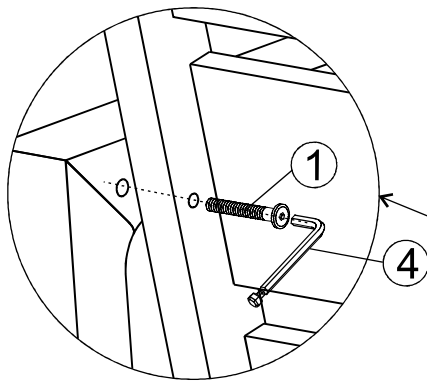
3.1. Position Wooden Dowels (5) into the Seat Panel (D).

3.2. With assistance from your adult partner, attach the Wooden Dowels (5) of Seat Panel (D) from the assembled part in step 3.1 to the mortise of the Left Leg Panel (B), then secure the Seat Panel (D) to the Left Leg Panel (B) using Bolts (2), Curve Washers (3) and the Allen Wrench (4) as shown above.

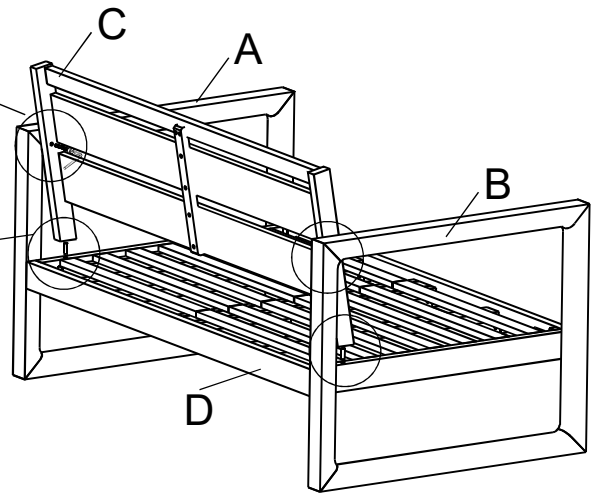
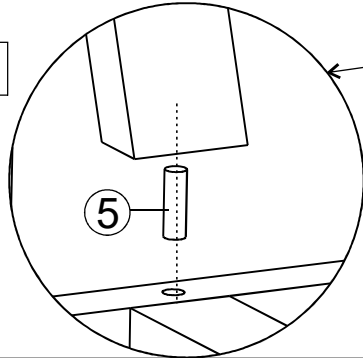
Do not fully tighten Bolts.

Step 4

4.2



4.1



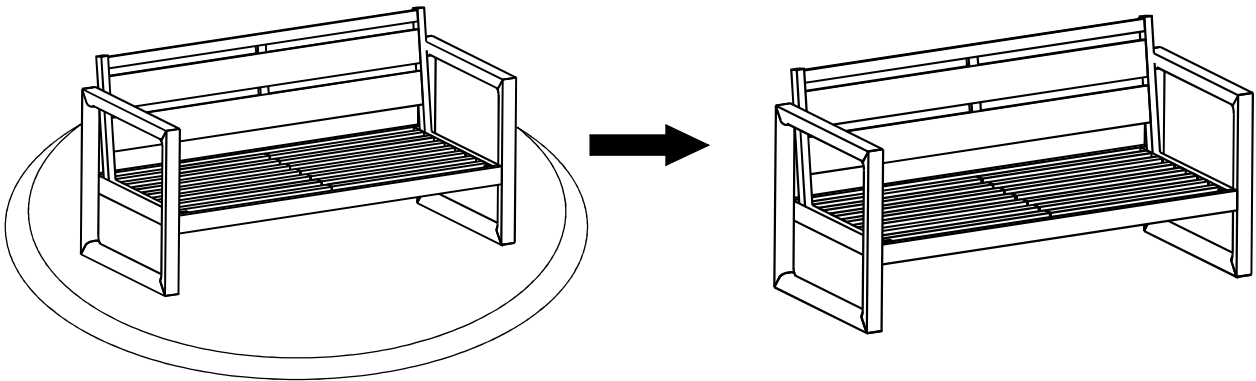
With the help of your adult partner, stand the assembled part in step 3 up, then:

4.1. Attach Wooden Dowels (⑤) to the Backrest Panel (C), then position the Wooden Dowels () in the Backrest Panel (C) to the mortise of the Seat Panel (D) as shown above.

4.2. Secure the Backrest Panel (C) to the Right Leg Panel (A) and the Left Leg Panel (B) using Bolts (①), and the Allen Wrench (④) as shown above.

Do not fully tighten Bolts.

Step 5



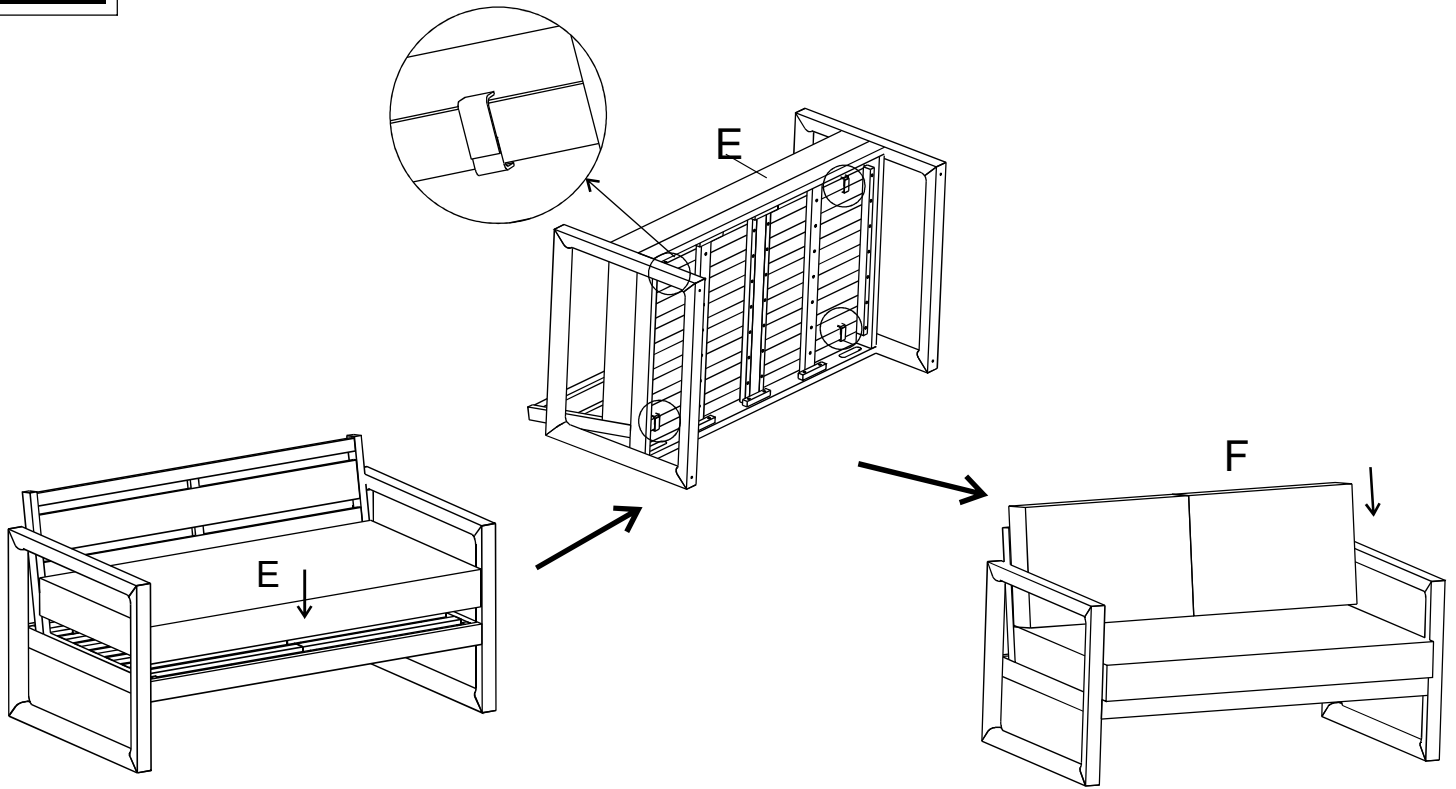
Exert pressure floorwards, onto the Loveseat with both your hands. This pressure will help the Legs and Loveseat reach full alignment status. Check for wobbles on a LEVEL surface. If no wobbles are found proceed to tighten the Bolts in a sequential manner, until evenly secured.

When tightening Bolts tighten sequentially.

Do not tighten any Bolt fully and then move on towards the next one.

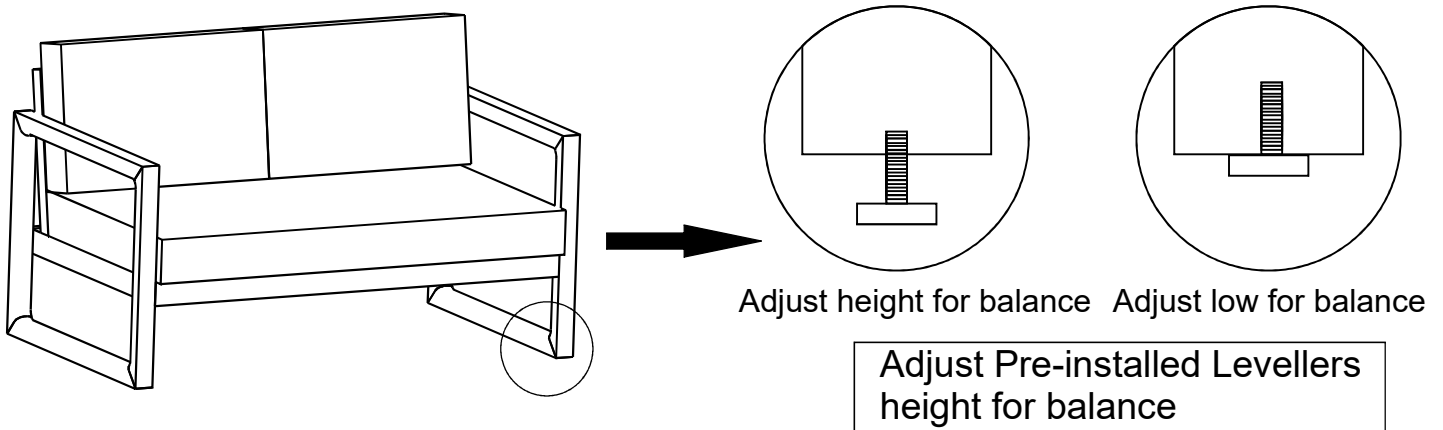
If there are still wobbles after tightening, loosen the Bolts and execute the same above process.

Step 6



Put the Seat Cushion (E) onto the Loveseat.
Lay down the Loveseat and tie the magic tape straps of the Seat Cushion (E) to the slats on the Seat Panel (D) as shown above.
Then stand the Loveseat up and put the Backrest Cushion (F) onto the Loveseat.

Step 7



Adjust the Levellers until the Loveseat is level with the ground.
To adjust the Levellers, get assistance from an adult partner to lift/lean and hold the Loveseat while you are working.
Your Loveseat is ready for use.
This Loveseat can only be used on a flat, level surface.