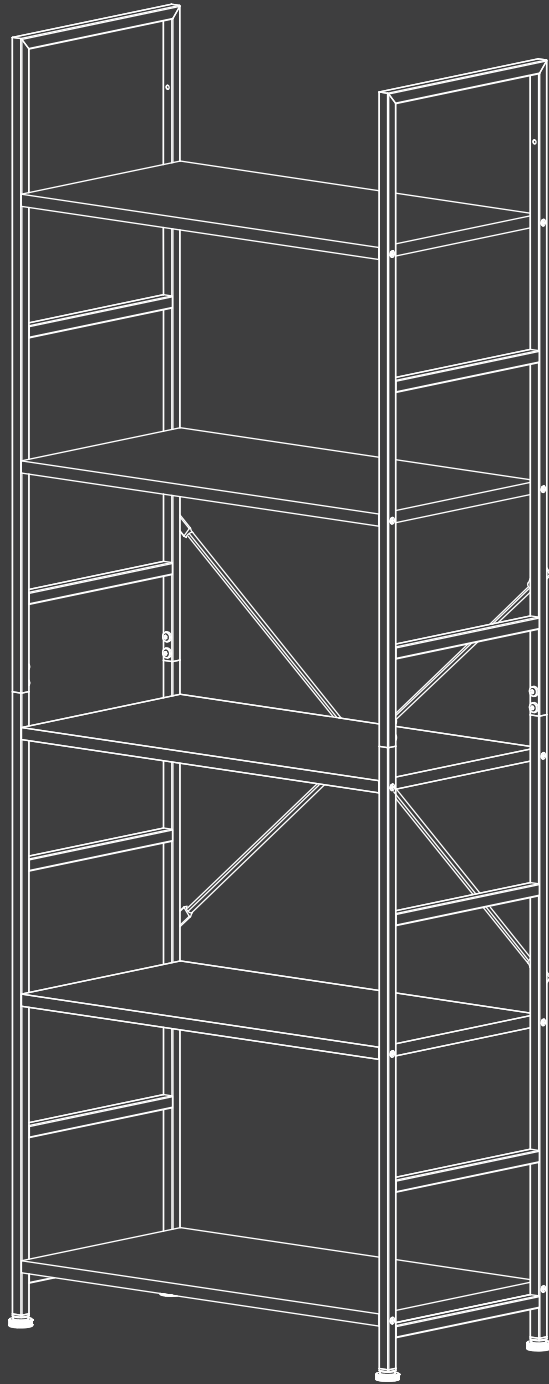


# Storage Rack

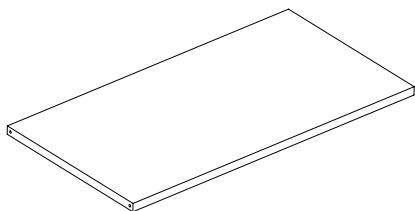
## Instruction Manual



# 1 Component List

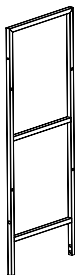
---

**A** X5



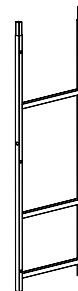
Board

**B** X2



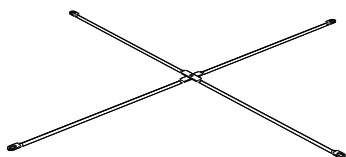
Side Frame

**C** X2



Side Frame

**D** X1

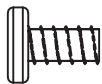


Reinforcement Bar

## 2 Supplied Parts and Hardware

---

**1** X12



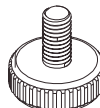
Bolts  
M6x12mm

**2** X20



Bolts  
M5x40mm

**3** X4



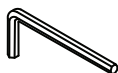
Adjusting Foot

**4** X2



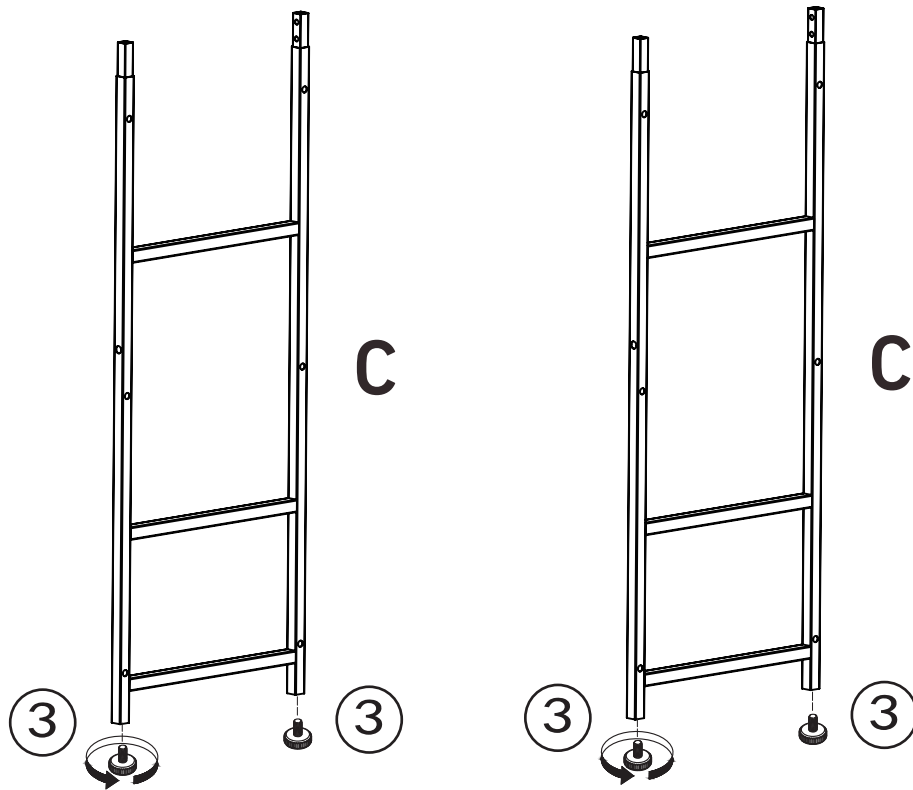
Bolts

**5** X1

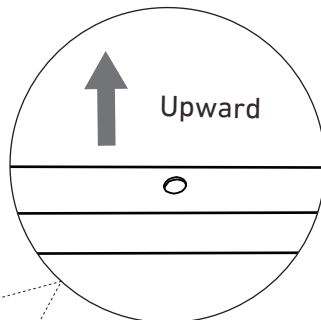
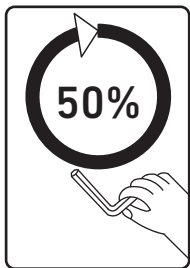


Wrench

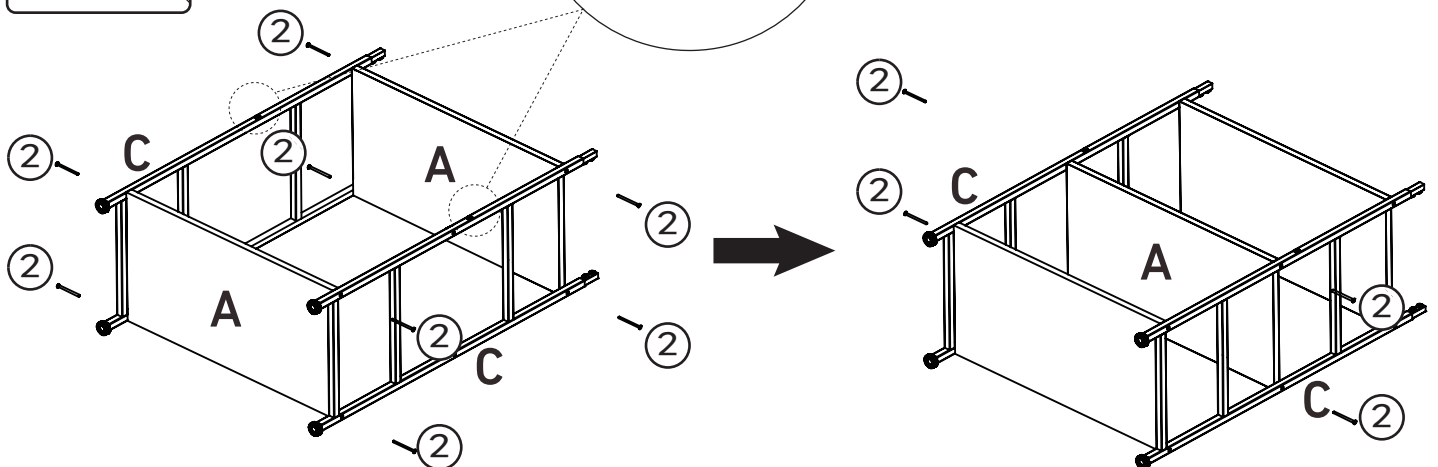
# Step 1



# Step 2



②		X 12
⑤		X 1



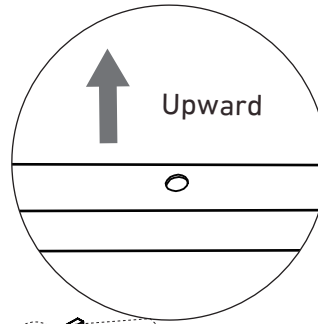
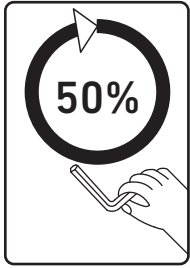
## NOTE:

The bolts are only tightened 50%.

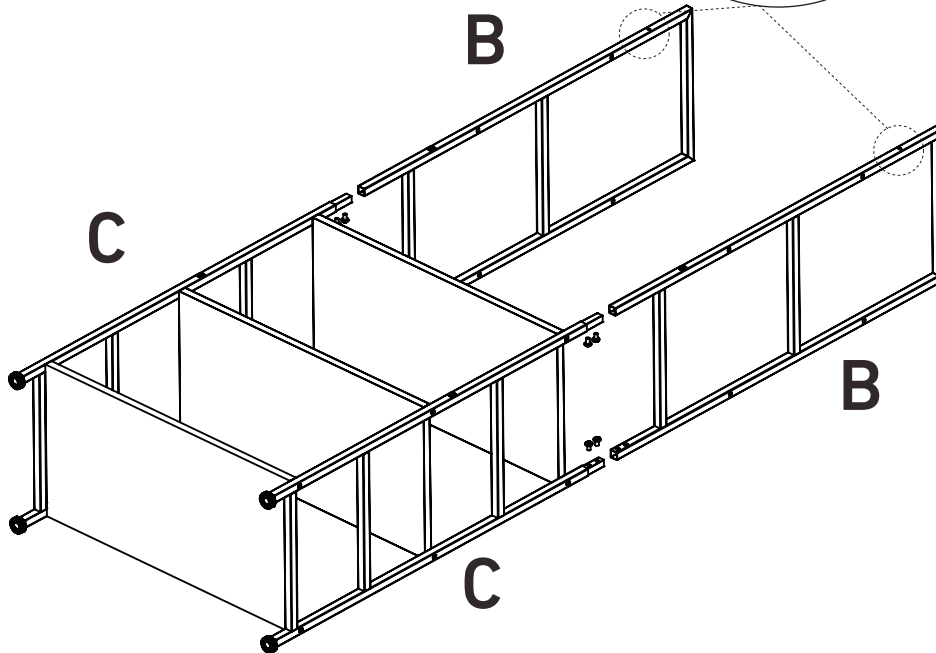
When installing Board A, begin with the bottom layer first, then the top layer, and finally the middle layer.

When installing the wooden board, the side holes of the side frame should be in the same direction.

# Step 3



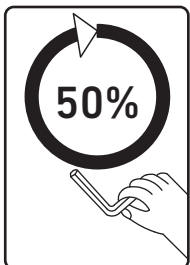
①		X 8
⑤		X 1



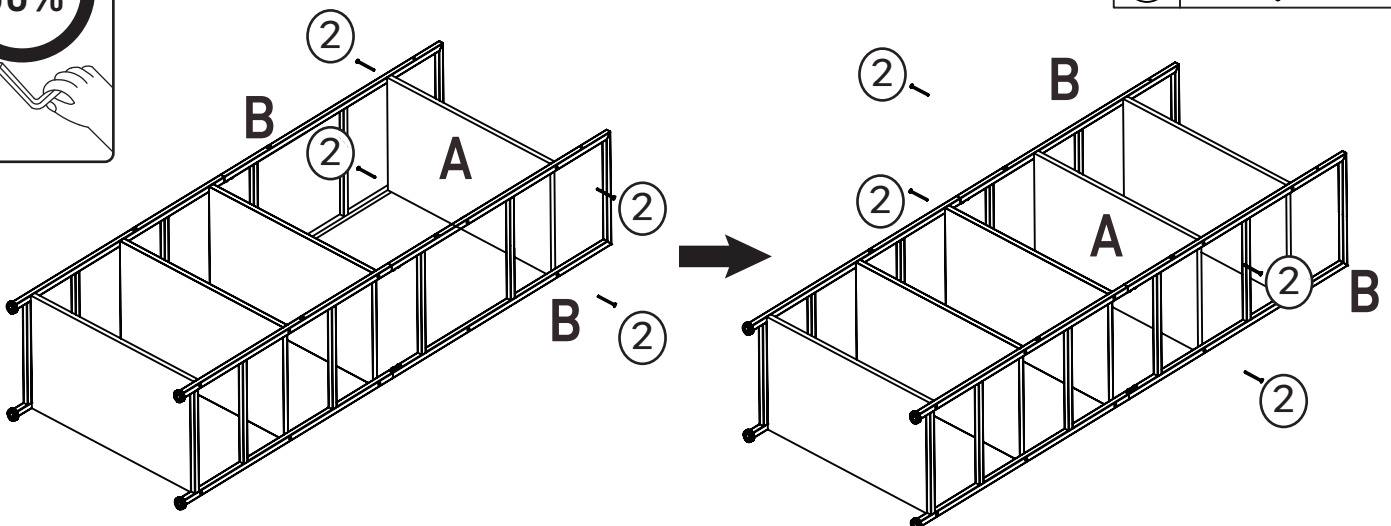
**NOTE:**

The bolts are only tightened 50%.  
When installing the side frame, the holes on the **B** and **C** sides are in the same direction.

# Step 4



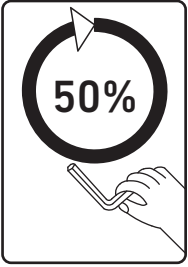
②		X 8
⑤		X 1





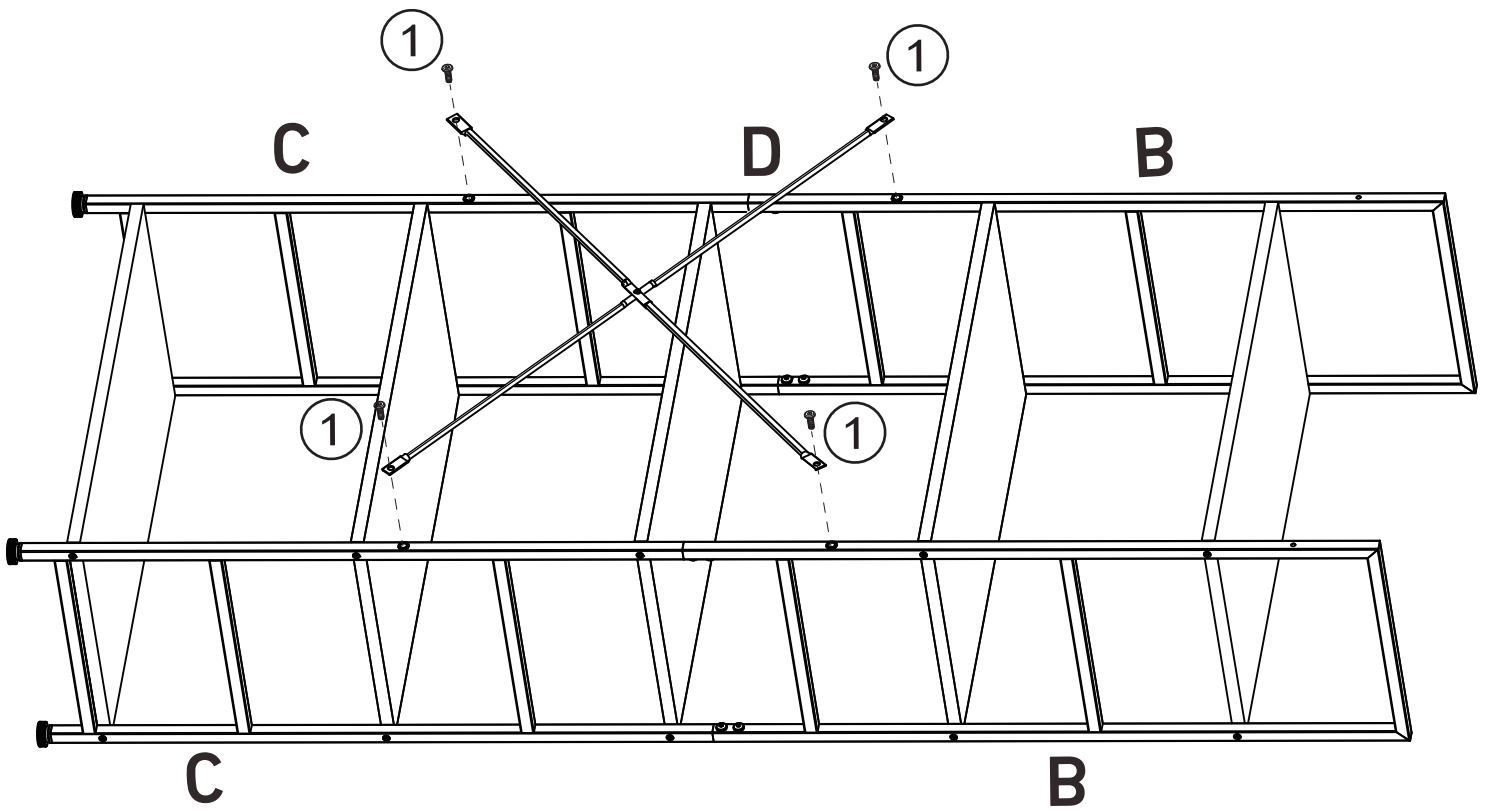
**NOTE:**

The bolts are only tightened 50%.  
Install the top panel of Board A first, then the lower layer.

# Step 5



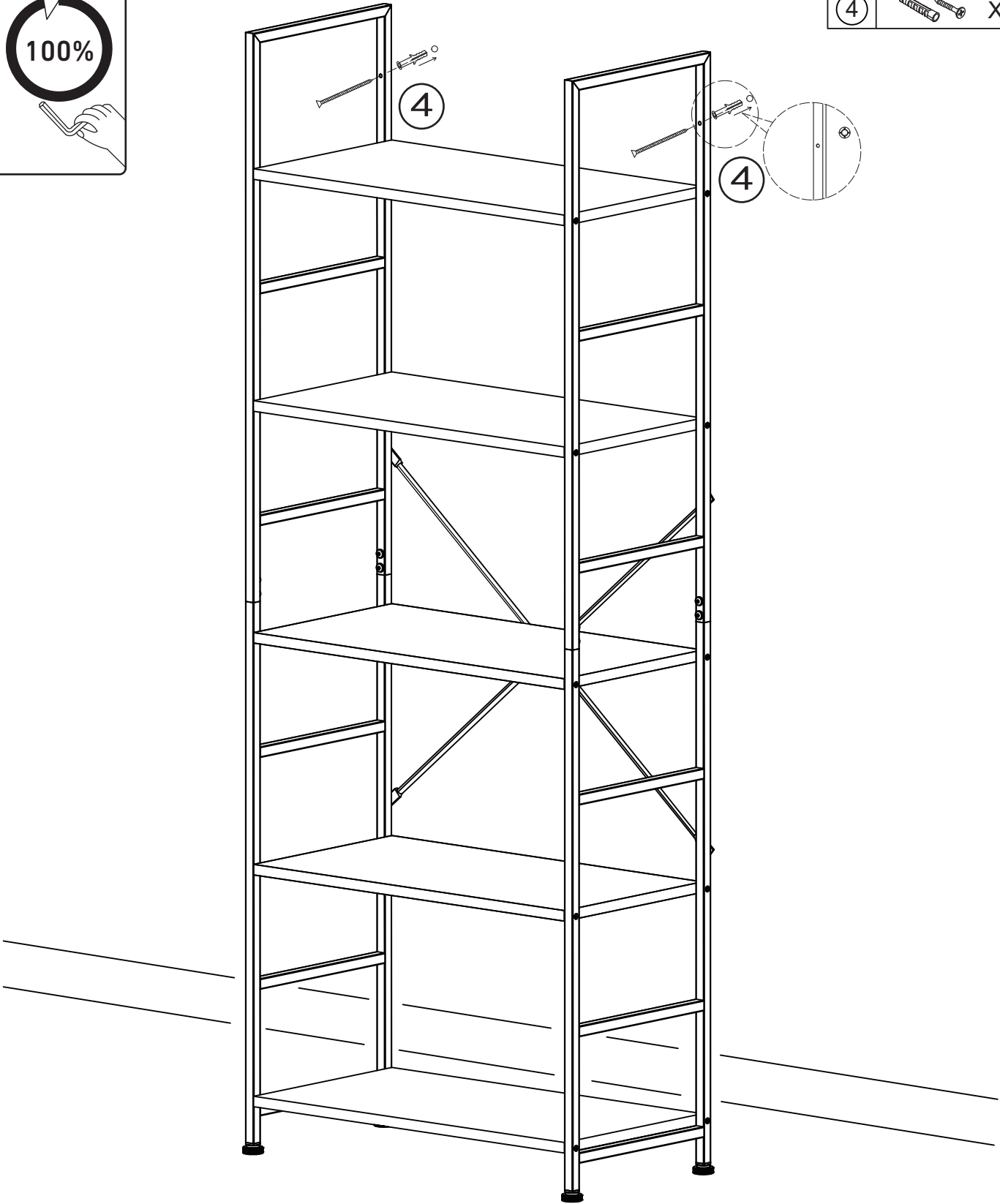
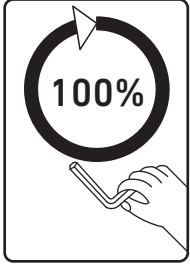
①		X 4
⑤		X 1



**NOTE:**

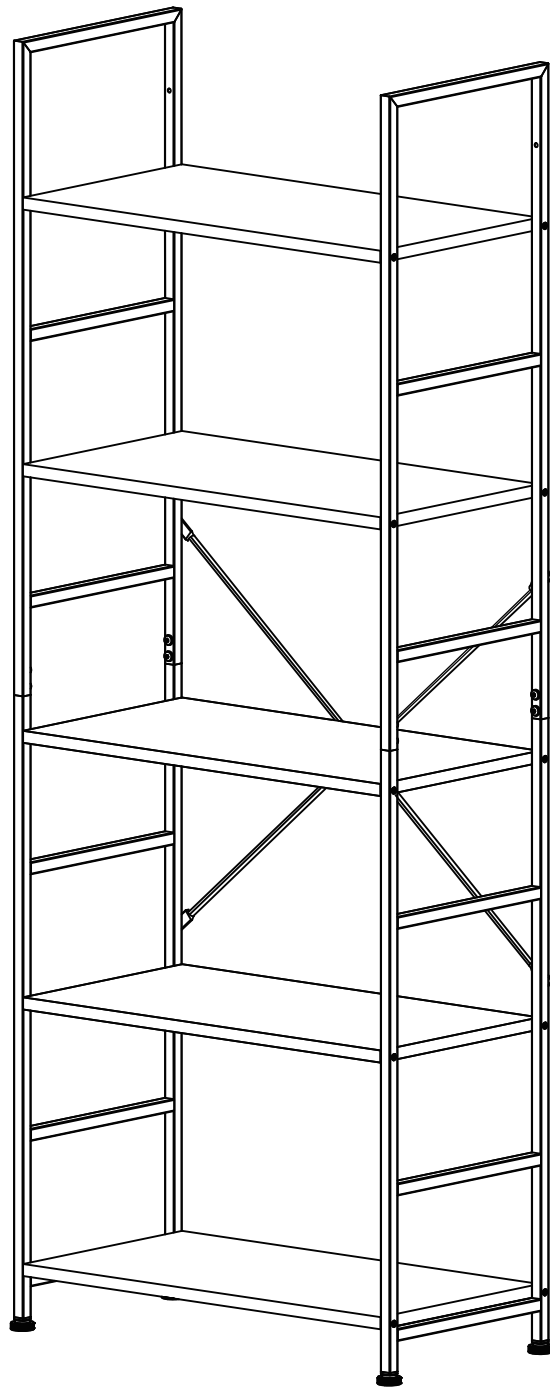
The bolts are only tightened 50%.

# Step 6



If you need to fix the shelf to the wall, use an electric drill to drill holes on the wall, then insert an expansion tube (4) \* 2, and secure the shelf with bolts (4) \* 2.

**NOTE:** Make sure all Bolts are 100% tightened before use.



Thank you for choosing this product. We strive to provide you with the best quality products and services in the industry. Should you have any issues, please don't hesitate to contact us.