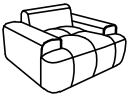



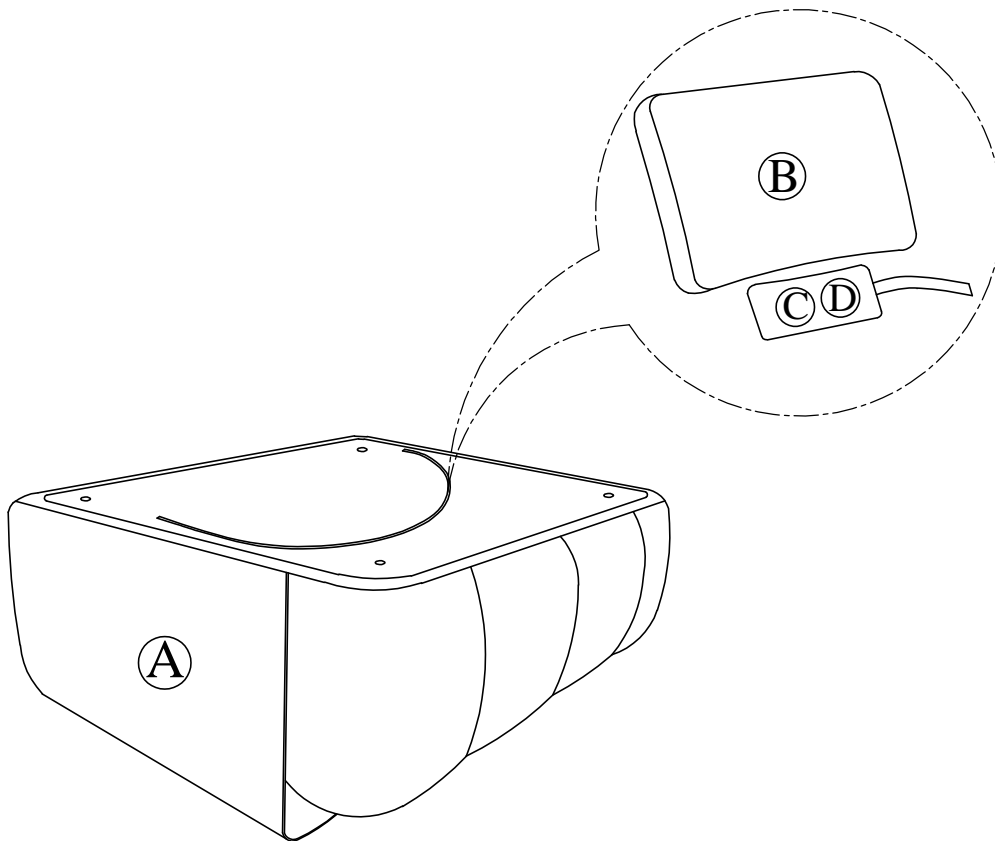


ASSEMBLY INSTRUCTION

CHAIR

NO.	PARTS LIST	QTY	DESCRIPTION
A		1	Chair
B		1	Back Cushion
C		4	Plastic Leg
D		4	Washer

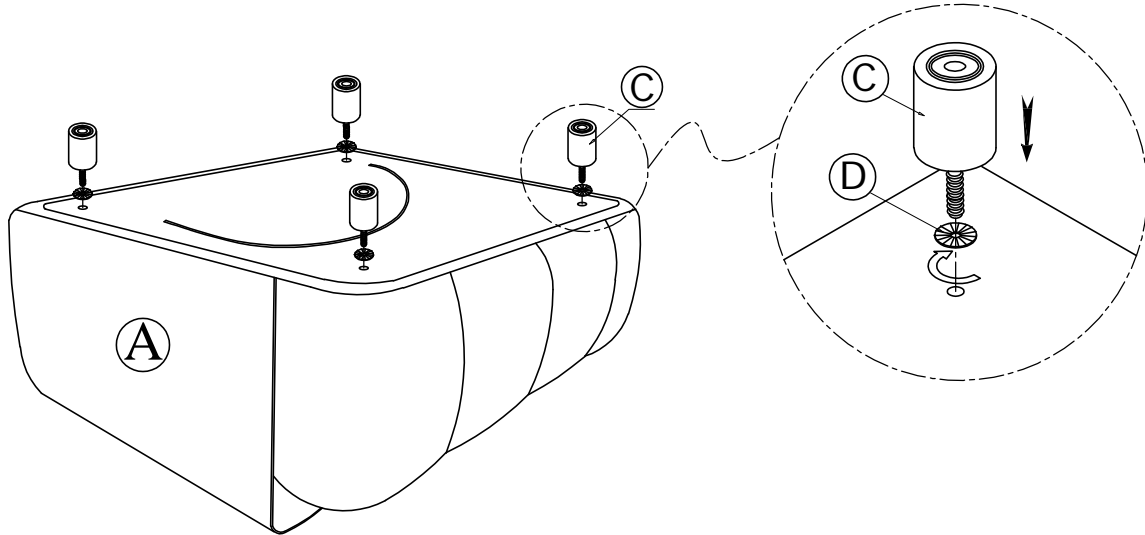
STEP 1: Location of KD parts
Take out legs from the zippered pocket.



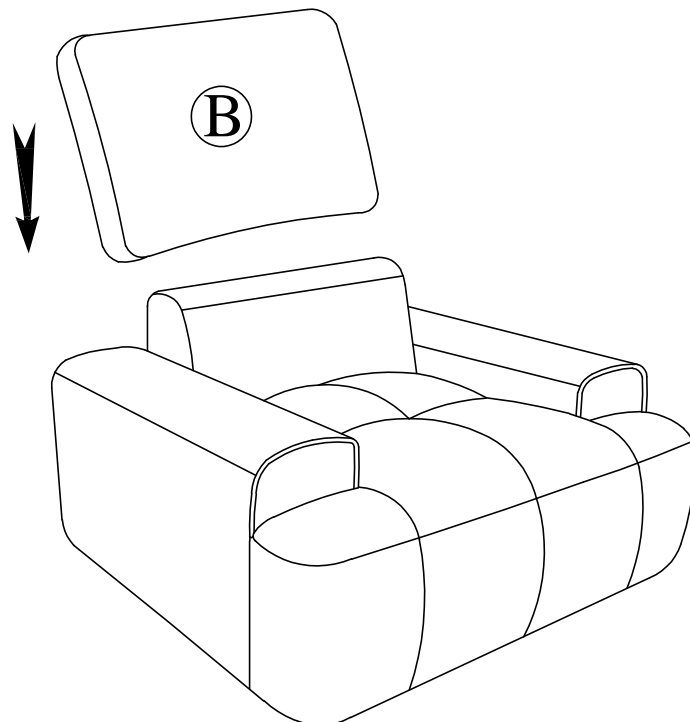
ASSEMBLY INSTRUCTION

CHAIR

STEP 2: Align Legs (C) bolt to the pre-drilled hole at the corner and turn leg clockwise until it is tightened.



STEP 3:



CARE INSTRUCTION FOR FABRIC FURNITURE

In order to maintain the original appearance of your fabric furniture, please follow below simple care procedures.

°Avoid exposing furniture directly to sunlight or heating and air conditioning outlets. Exposure to sunlight or heating and air conditioning outlets will fade/damage fabric.

°Wipe gently with a damp soft cloth to remove dust, dirt and any grime build up.