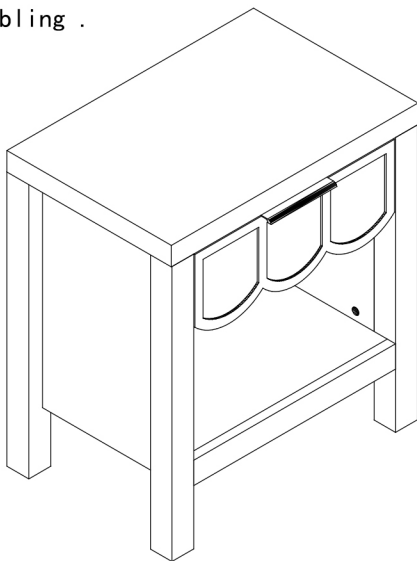
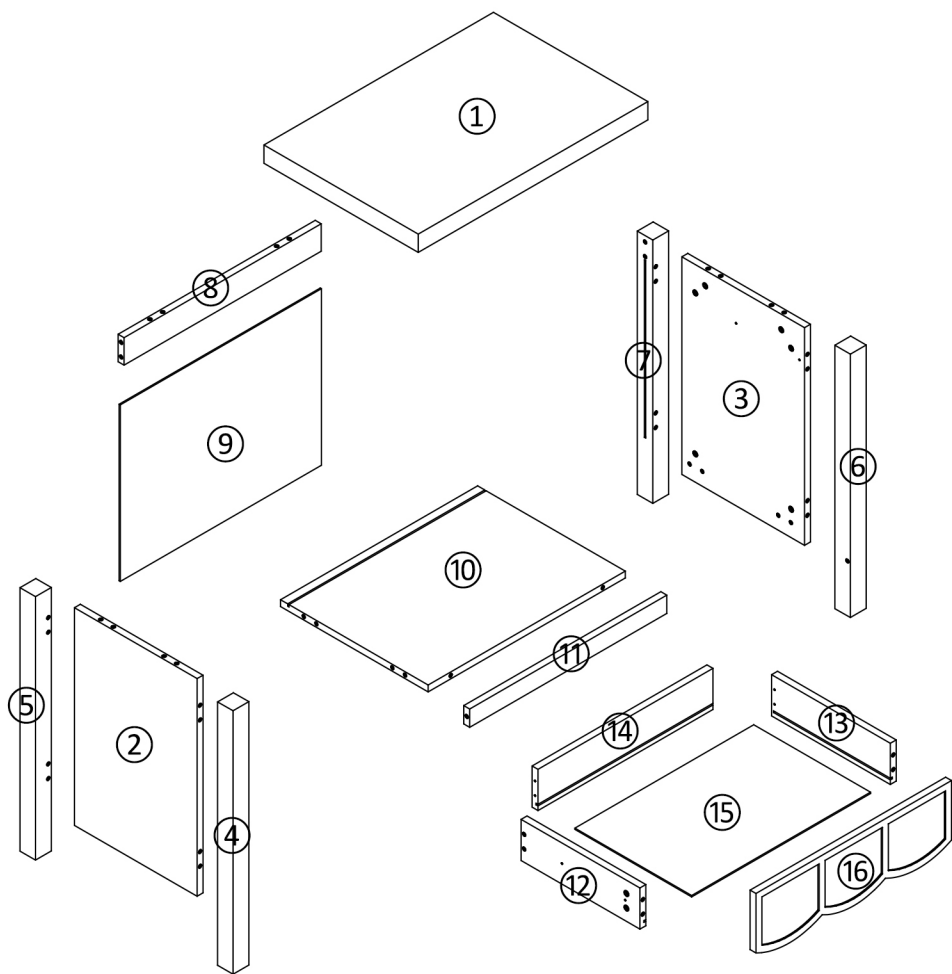


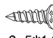
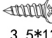
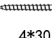

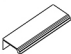


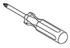




# ASSEMBLY INSTRUCTION

- Read the assembly instructions carefully before beginning assembly.
- Ensure the safety of the glass during assembly.
- Do not over tighten the screws and bolts as this may damage the threads.
- Insert the screw into the hole as shown in the figure, follow the arrow in the picture, and then rotate 90° or 180° clockwise.
- Keep the small accessories in the accessory bag away from children.
- The remaining parts are spare parts.
- Kind tips: when installing the white backboard, install the white side inward.
- The operating instruction of RGB light is included in the package. Read it carefully when assembling .



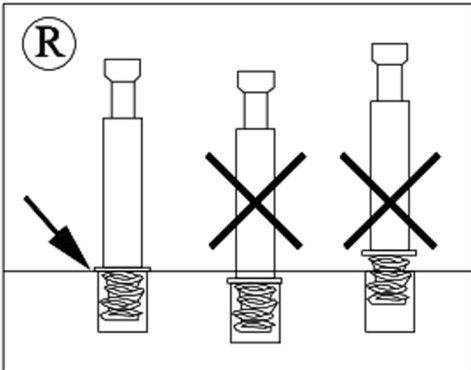
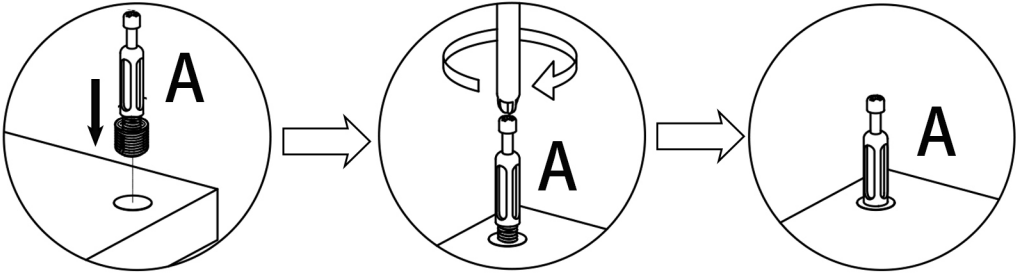


<b>A</b>  28pcs	<b>B</b>  28pcs	<b>C</b>  3.5*14 12pcs	<b>C8</b>  3.5*12 2pcs	<b>C9</b>  4*30 4pcs	<b>E</b>  8*40 20pcs	<b>F</b>  1pcs	<b>K</b>  2pcs	<b>Y</b>  4pcs	<b>AG</b>  1pcs
<b>AM</b>  Decorative paper 14pcs	<b>AP</b>  anti-slip stickers 4pcs								



# Hardware installation demonstration

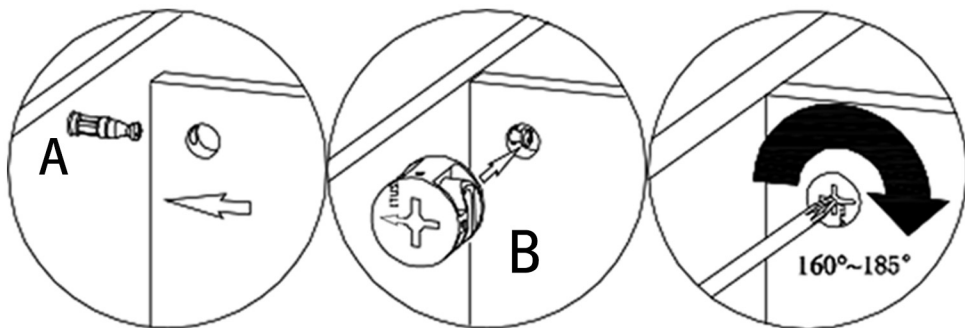
● Please make sure "A" hardware tightened and can't be pulled out





## Hardware installation demonstration

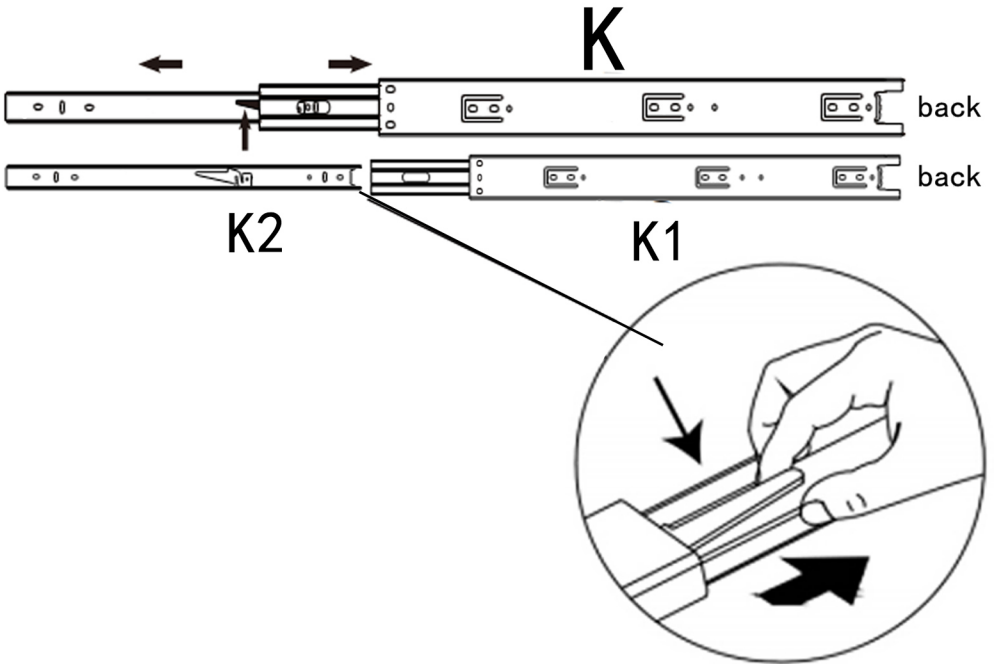
- When inserting cam ensure arrowhead on cam points toward the hole on the panel edge





## Hardware installation demonstration

- Before installing the drawer rail, you need to separate the K1 and K2 first.



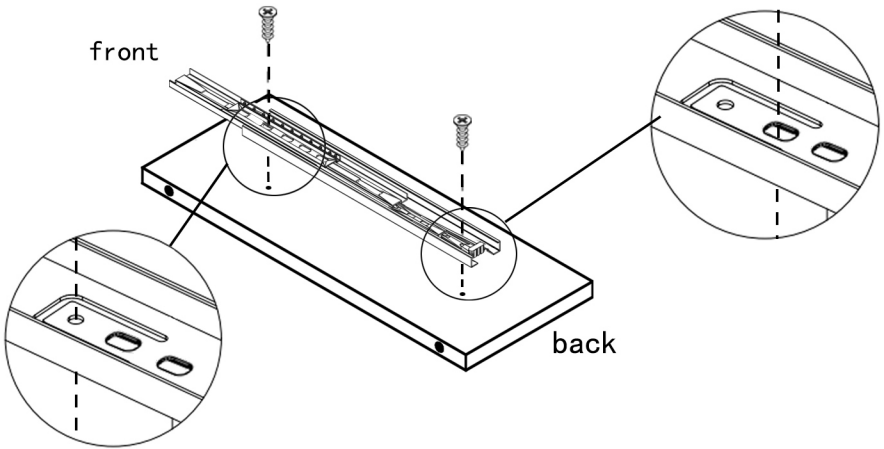
Warm Reminder: Press it and split



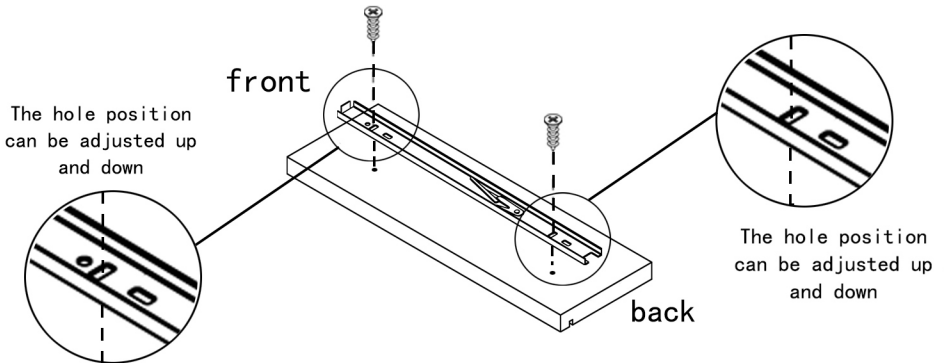
# Hardware installation demonstration



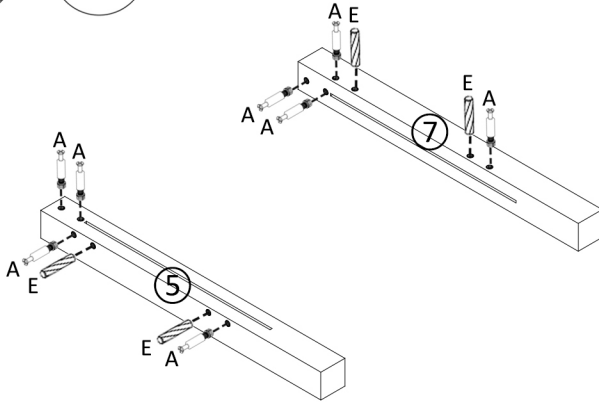
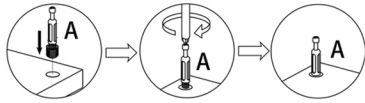
The first screw hole should corresponded with the board location hole



The first screw hole should corresponded with the board location hole



# STEP 1

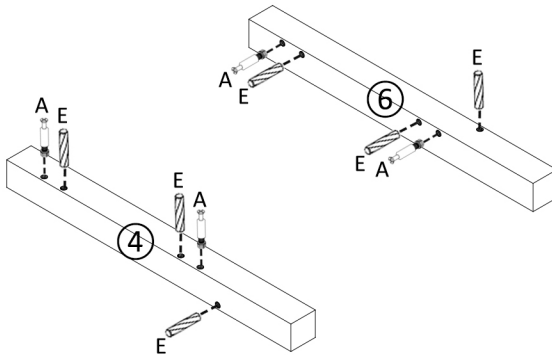
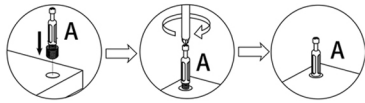


E\*4



A\*8

# STEP 2

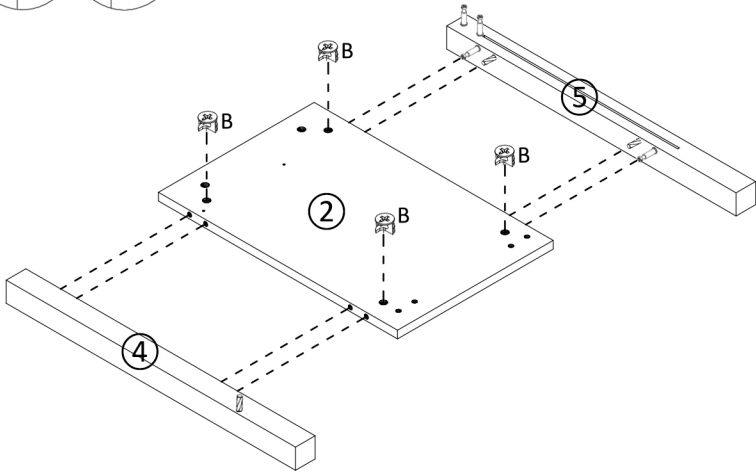
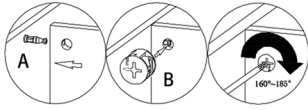



E\*6



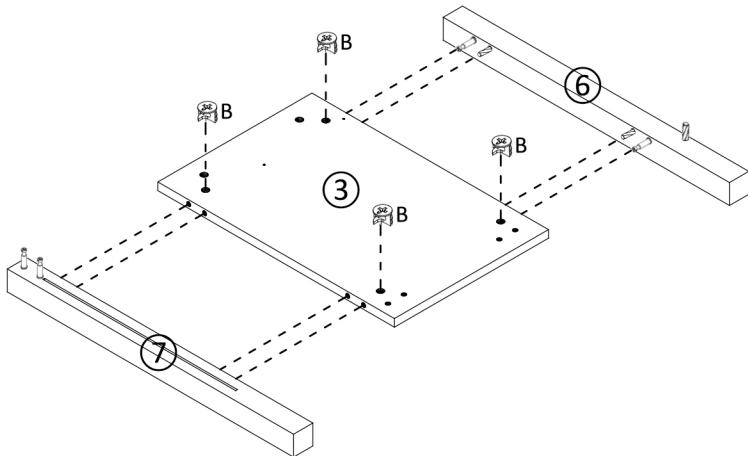
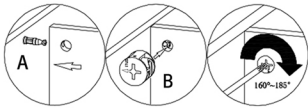
A\*4

# STEP 3



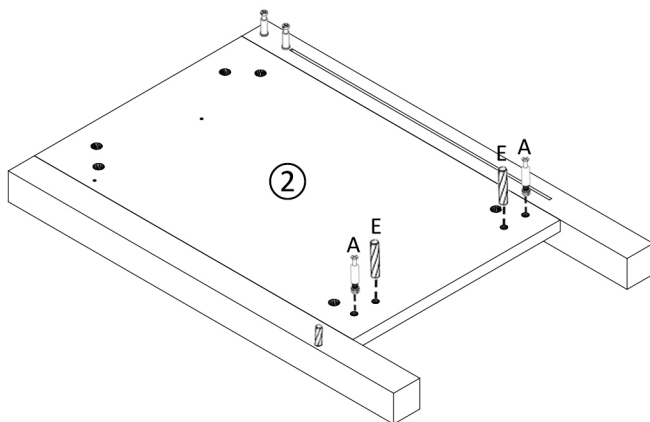
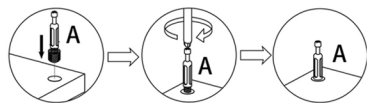
 B\*4



# STEP 4



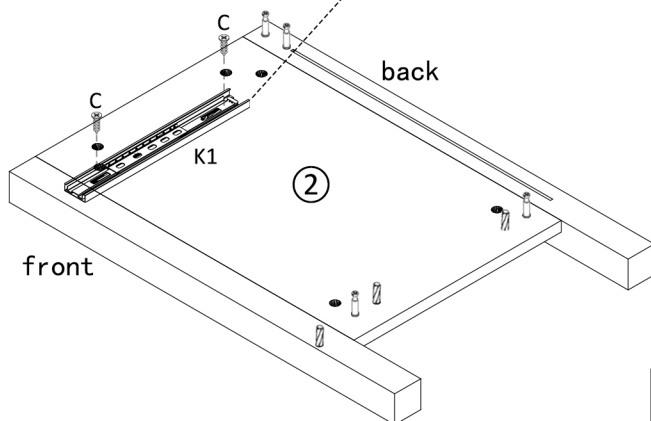
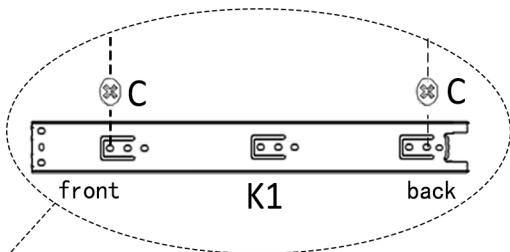
 B\*4



# STEP 5



	E*2
	A*2

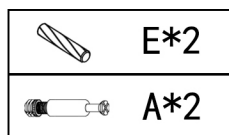
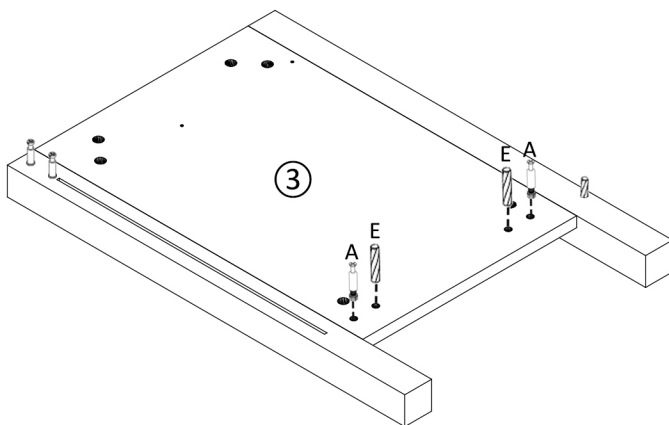
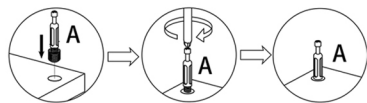
# STEP 6



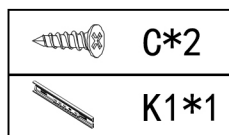
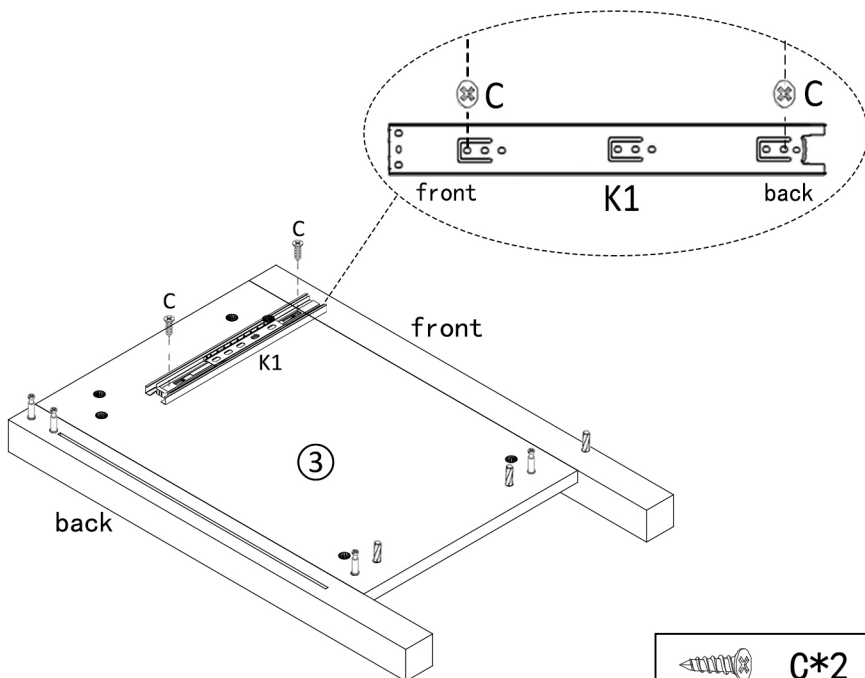
	C*2
	K1*1

1. Check the slide rail exploded view for disassembly.
2. Align mounting holes using the sectional view.

# STEP 7

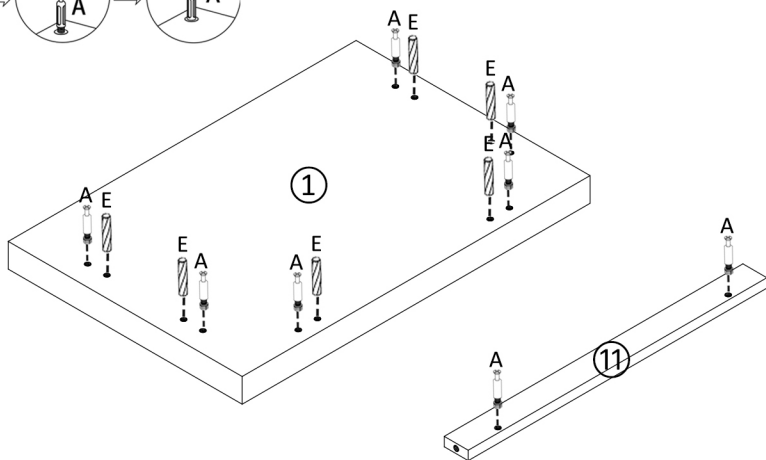
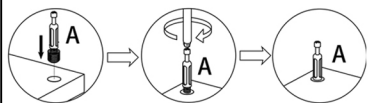




# STEP 8



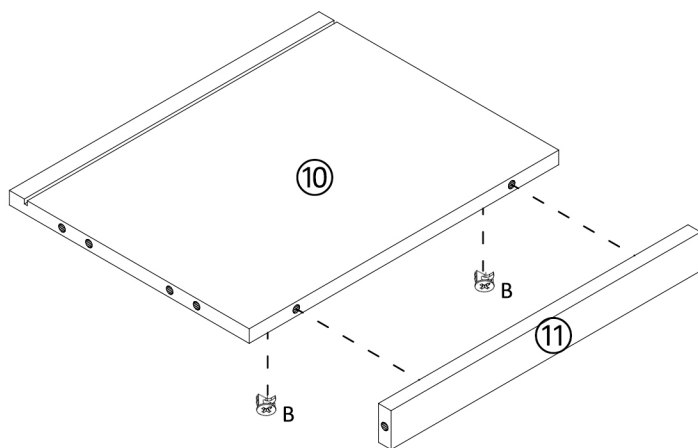
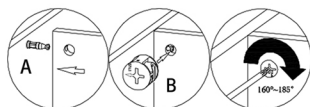
1. Check the slide rail exploded view for disassembly.
2. Align mounting holes using the sectional view.

# STEP 9



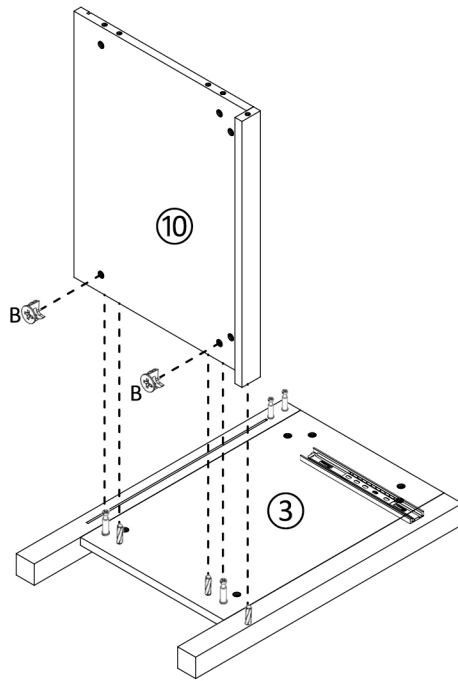
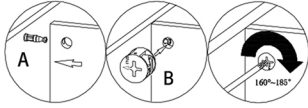
	E*6
	A*8

# STEP 10



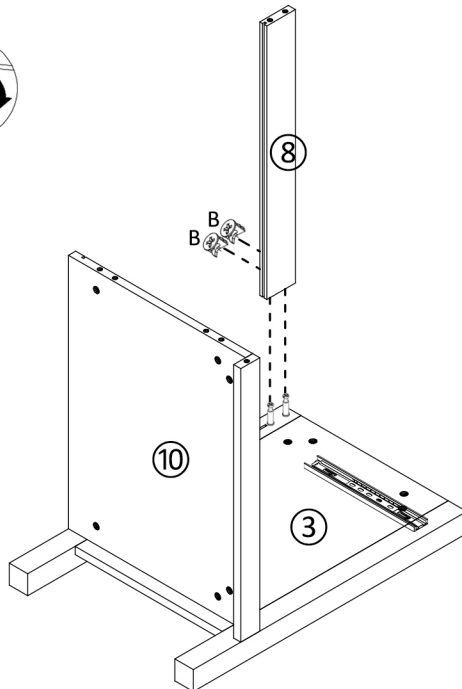
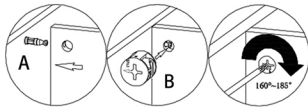
	B*2
---	-----

# STEP 11



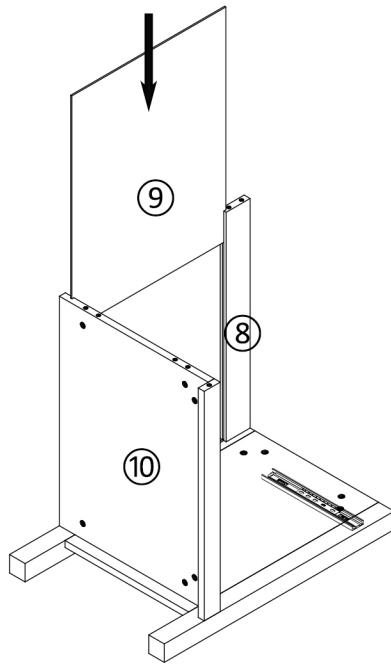
B\*2

# STEP 12

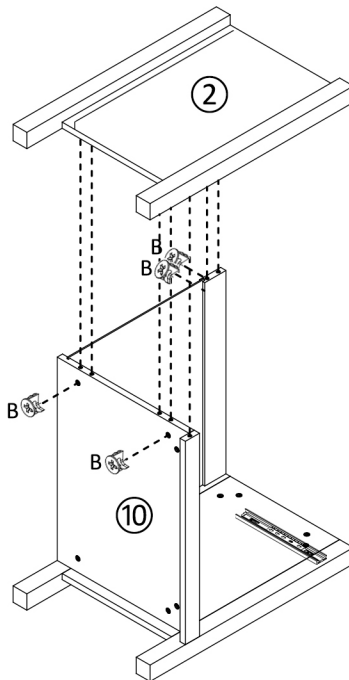
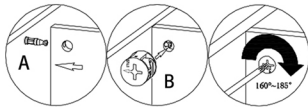


B\*2

# STEP 13

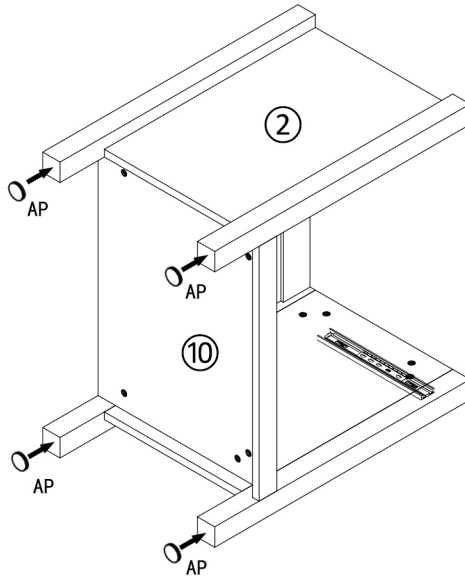
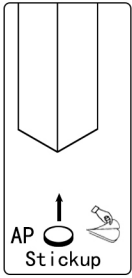


# STEP 14



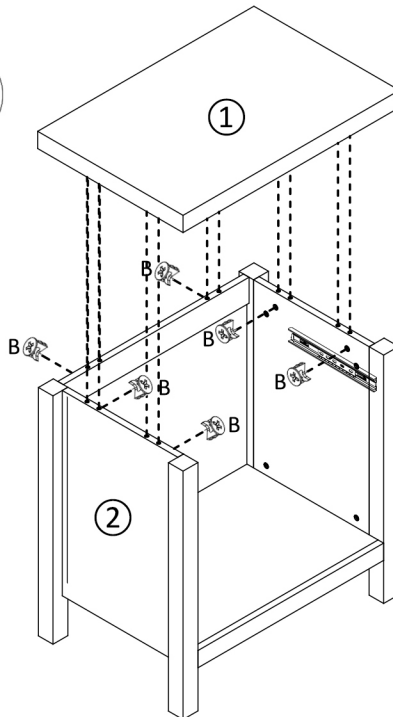
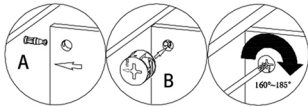
B\*4

# STEP 15



AP\*4  
anti-slip stickers

# STEP 16

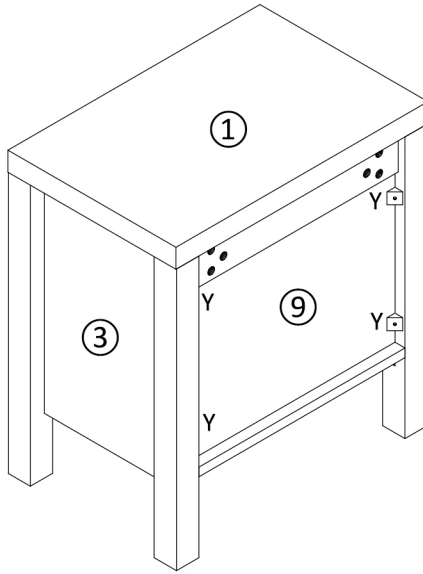
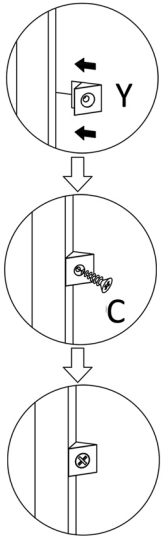


90°  
Flip

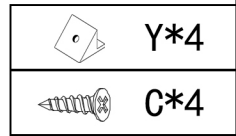


B\*6

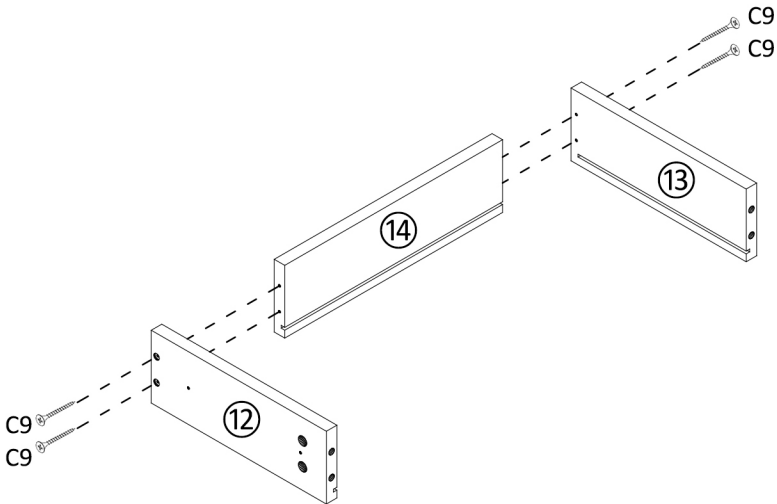
# STEP 17



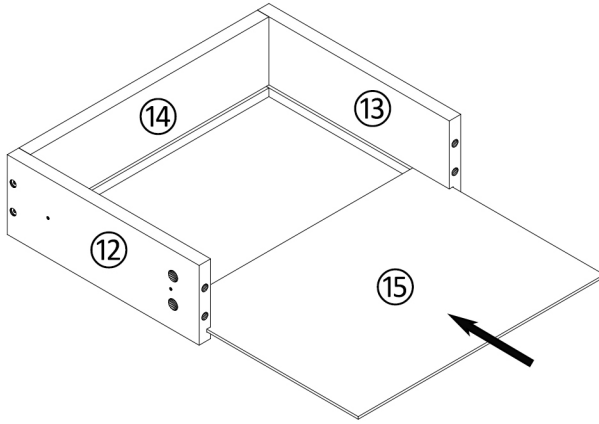
Use tools to install if necessary



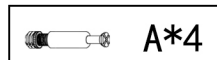
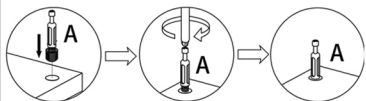
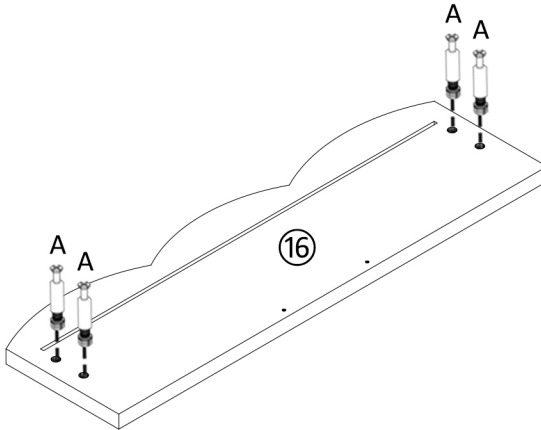
# STEP 18



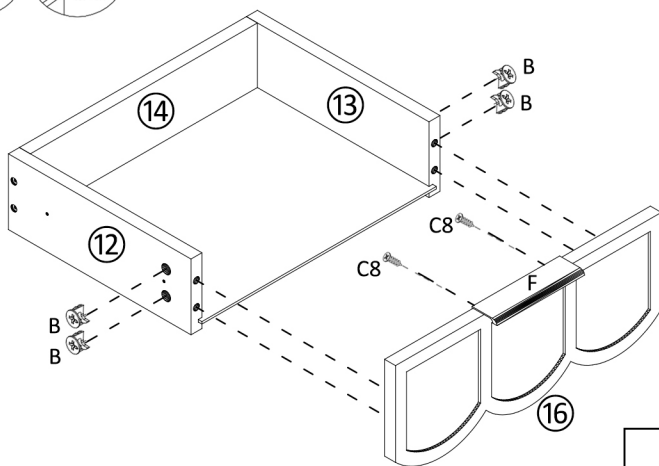
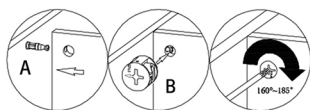
# STEP 19

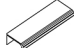
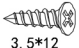



# STEP 20



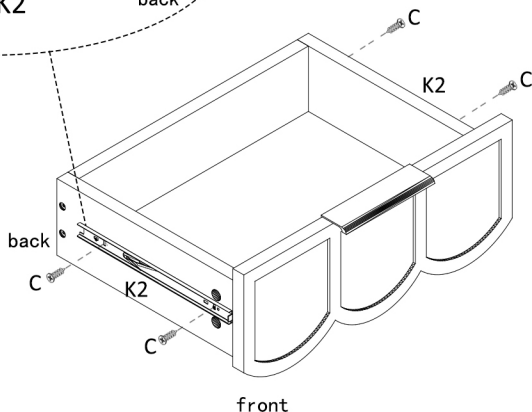
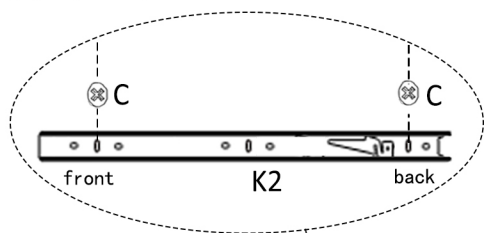
# STEP 21





	F*1
	C8*2
	B*4

! Please use screws according to the specific size, do not confuse them.

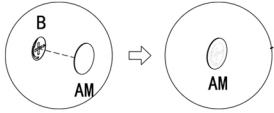
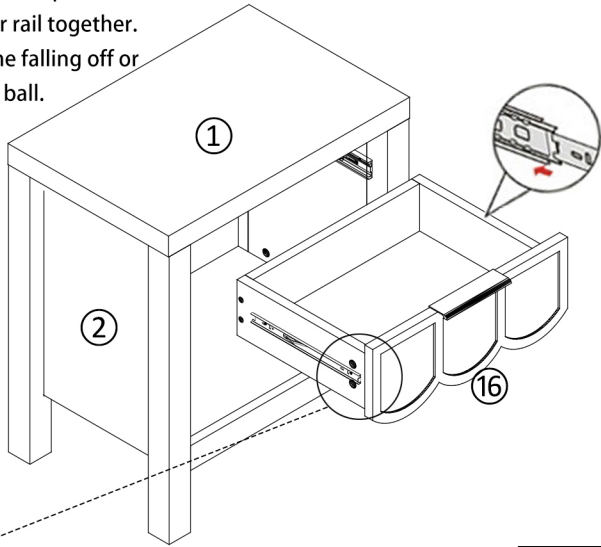
# STEP 22



	C*4
	K2*2

# STEP 23

Note: When assembling the inner slide rail, it is necessary to place the inner slide rail on the steel ball component first, and push the inner rail parallel to the outer rail together. Direct violence will lead to the falling off or deformation of the rail steel ball.



 **AM\*14**  
Decorative paper

# STEP 24

